



US00D952885S

(12) **United States Design Patent** (10) **Patent No.:** **US D952,885 S**
Zou (45) **Date of Patent:** **** May 24, 2022**

(54) **MASSAGER**
(71) Applicant: **FINE DRAGON TECHNOLOGY LIMITED**, Guangdong (CN)
(72) Inventor: **Zhenren Zou**, Guangdong (CN)
(73) Assignee: **FINE DRAGON TECHNOLOGY LIMITED**, Shenzhen (CN)
(**) Term: **15 Years**
(21) Appl. No.: **29/745,463**
(22) Filed: **Aug. 6, 2020**
(30) **Foreign Application Priority Data**

D886,317 S * 6/2020 Marton D24/215
D893,738 S * 8/2020 Zhuang D24/215
D895,132 S * 9/2020 Hu D24/215
D895,133 S * 9/2020 Xu D24/215
D895,135 S * 9/2020 Xu D24/215
D895,829 S * 9/2020 Hu D24/215
D895,831 S * 9/2020 Chen D24/215
D898,209 S * 10/2020 Xu D24/214
D898,933 S * 10/2020 Xu D24/215
D899,620 S * 10/2020 Huang D24/215
D905,863 S * 12/2020 Lin D24/215
D906,533 S * 12/2020 Xu D24/215
D907,229 S * 1/2021 Zhang D24/215
D907,230 S * 1/2021 Zhang D24/215
D908,908 S * 1/2021 Xu D24/215
D910,194 S * 2/2021 Radtke D24/215
D911,535 S * 2/2021 Yu D24/200
D912,267 S * 3/2021 Tang D24/215
D913,516 S * 3/2021 Zhang D24/215
D913,517 S * 3/2021 Yu D24/215

(Continued)

Jul. 22, 2020 (CN) 202030400602.2

(51) **LOC (13) Cl.** **28-03**
(52) **U.S. Cl.**
USPC **D24/215**
(58) **Field of Classification Search**
USPC D24/200, 211, 212, 213, 214, 215;
D8/14.1; D28/13, 44.1
CPC A61H 2201/1653; A61H 23/006; A61H
1/00; A61H 15/02; A61H 1/008
See application file for complete search history.

Primary Examiner — Michael A Maharajh

(57) **CLAIM**

The ornamental design for a massager, as shown and described.

DESCRIPTION

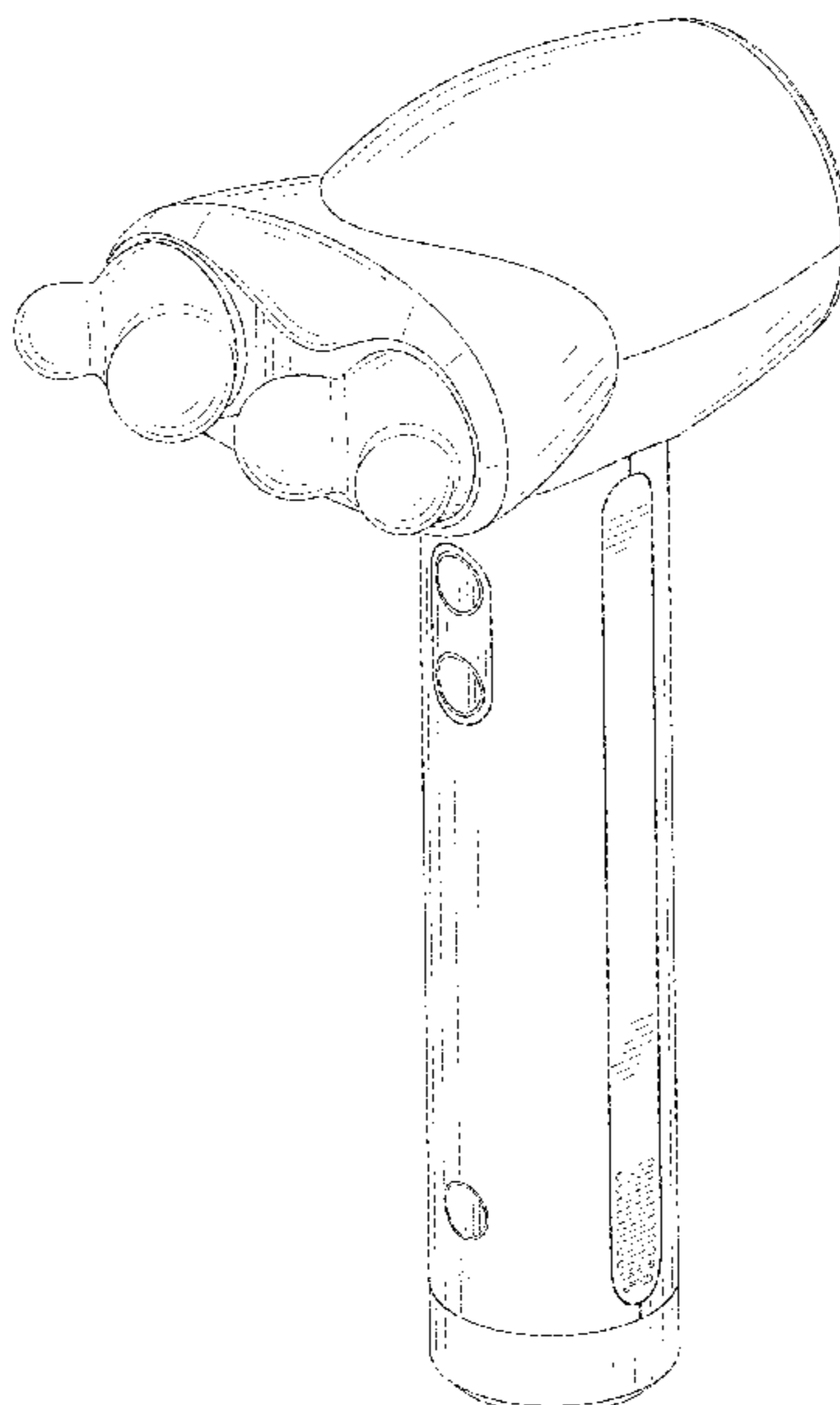
FIG. 1 is a top, front and right side perspective view of a massager showing my new design;
FIG. 2 is a bottom, rear and left side perspective view thereof;
FIG. 3 is a front elevational view thereof;
FIG. 4 is a rear elevational view thereof;
FIG. 5 is a left side view thereof;
FIG. 6 is a right side view thereof;
FIG. 7 is a top plan view thereof; and,
FIG. 8 is a bottom plan view thereof.
The broken lines in the drawings illustrate portions of the massager which form no part of the claimed design.

(56) **References Cited**

U.S. PATENT DOCUMENTS

D616,558 S * 5/2010 Tsai D24/200
D808,076 S * 1/2018 Gabriele D28/44.1
D844,896 S * 4/2019 Levi D28/44.1
D855,822 S * 8/2019 Marton D24/215
D863,571 S * 10/2019 Yang D24/200
D873,432 S * 1/2020 Duan D24/214
D874,015 S * 1/2020 Marton D24/215
D875,961 S * 2/2020 Li D24/211
D884,205 S * 5/2020 Zhuang D24/215
D884,207 S * 5/2020 Ma D24/215

1 Claim, 8 Drawing Sheets



(56)

References Cited

U.S. PATENT DOCUMENTS

D914,966	S	*	3/2021	Kim	D28/13
D916,307	S	*	4/2021	Xiong	D24/215
D917,060	S	*	4/2021	Hu	D24/215
D918,408	S	*	5/2021	Huang	D24/215
D921,916	S	*	6/2021	Xu	D24/215
D921,917	S	*	6/2021	Xu	D24/215
D923,187	S	*	6/2021	Ma	D24/211
D923,188	S	*	6/2021	Xu	D24/211
D923,190	S	*	6/2021	Xu	D24/214
D923,194	S	*	6/2021	Xu	D24/215
D924,422	S	*	7/2021	Huang	D24/215
D924,425	S	*	7/2021	Grbic	D24/215
D925,751	S	*	7/2021	Wu	D24/211
D925,755	S	*	7/2021	Zheng	D24/215
D925,756	S	*	7/2021	Xu	D24/215
D925,758	S	*	7/2021	Xu	D24/215
D926,333	S	*	7/2021	Zhang	D24/215
D926,335	S	*	7/2021	Zhang	D24/215
D926,338	S	*	7/2021	Xu	D24/215
D927,714	S	*	8/2021	Li	D24/215
D927,715	S	*	8/2021	Li	D24/215
D928,338	S	*	8/2021	Hu	D24/215
D929,601	S	*	8/2021	Lin	D24/215
D931,481	S	*	9/2021	Li	D24/211
D931,487	S	*	9/2021	Li	D24/215
D933,250	S	*	10/2021	Shen	D24/211
D933,844	S	*	10/2021	Chen	D24/214
D933,845	S	*	10/2021	Zheng	D24/215
D934,440	S	*	10/2021	Zheng	D24/214
D934,441	S	*	10/2021	Zhang	D24/215
D935,045	S	*	11/2021	Zhang	D24/215
D940,892	S	*	1/2022	Shen	D24/215
2016/0338899	A1	*	11/2016	Howson	A61H 7/001
2019/0254921	A1	*	8/2019	Marton	A61H 23/0254
2020/0390644	A1	*	12/2020	Yang	A61H 15/00

* cited by examiner

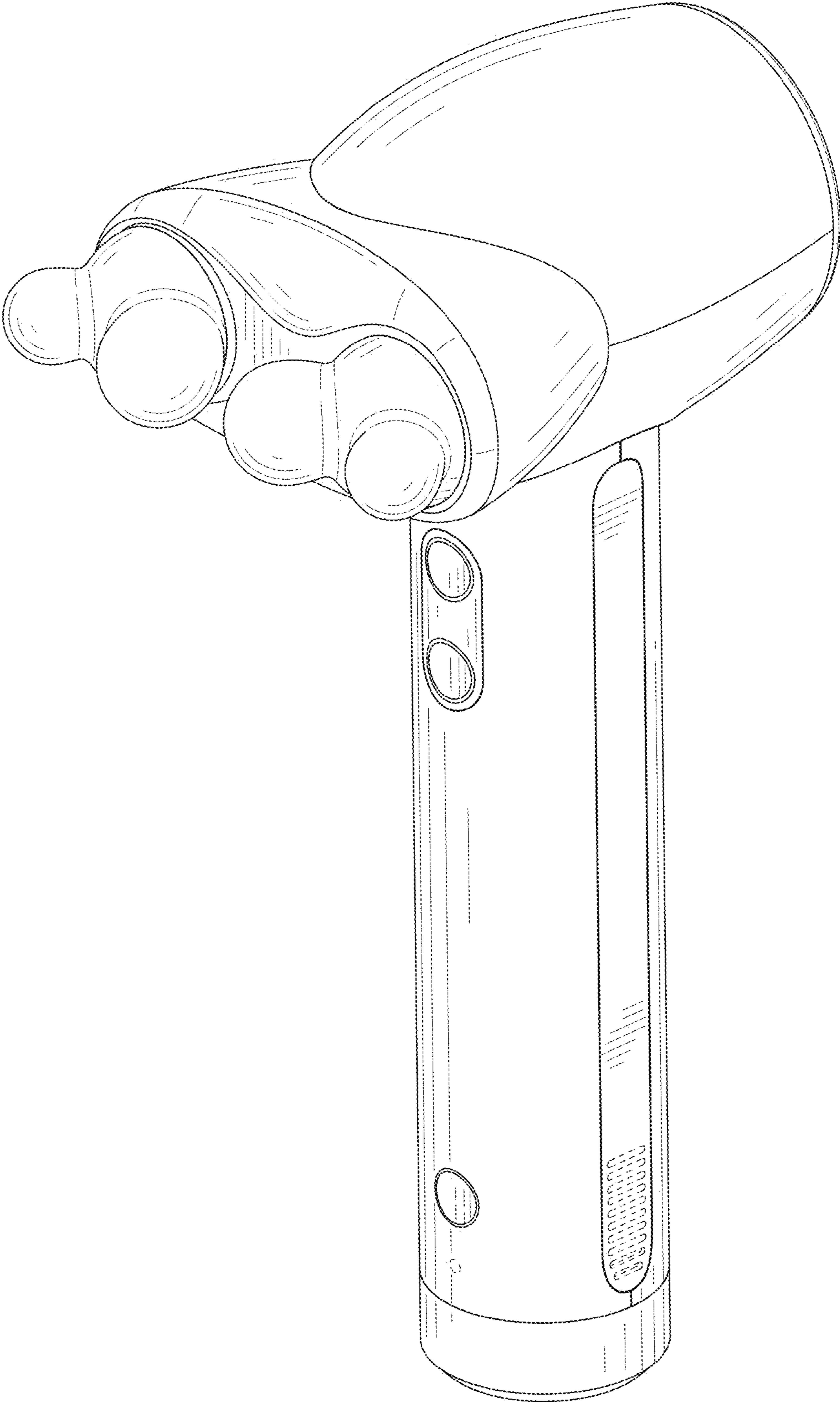


FIG. 1

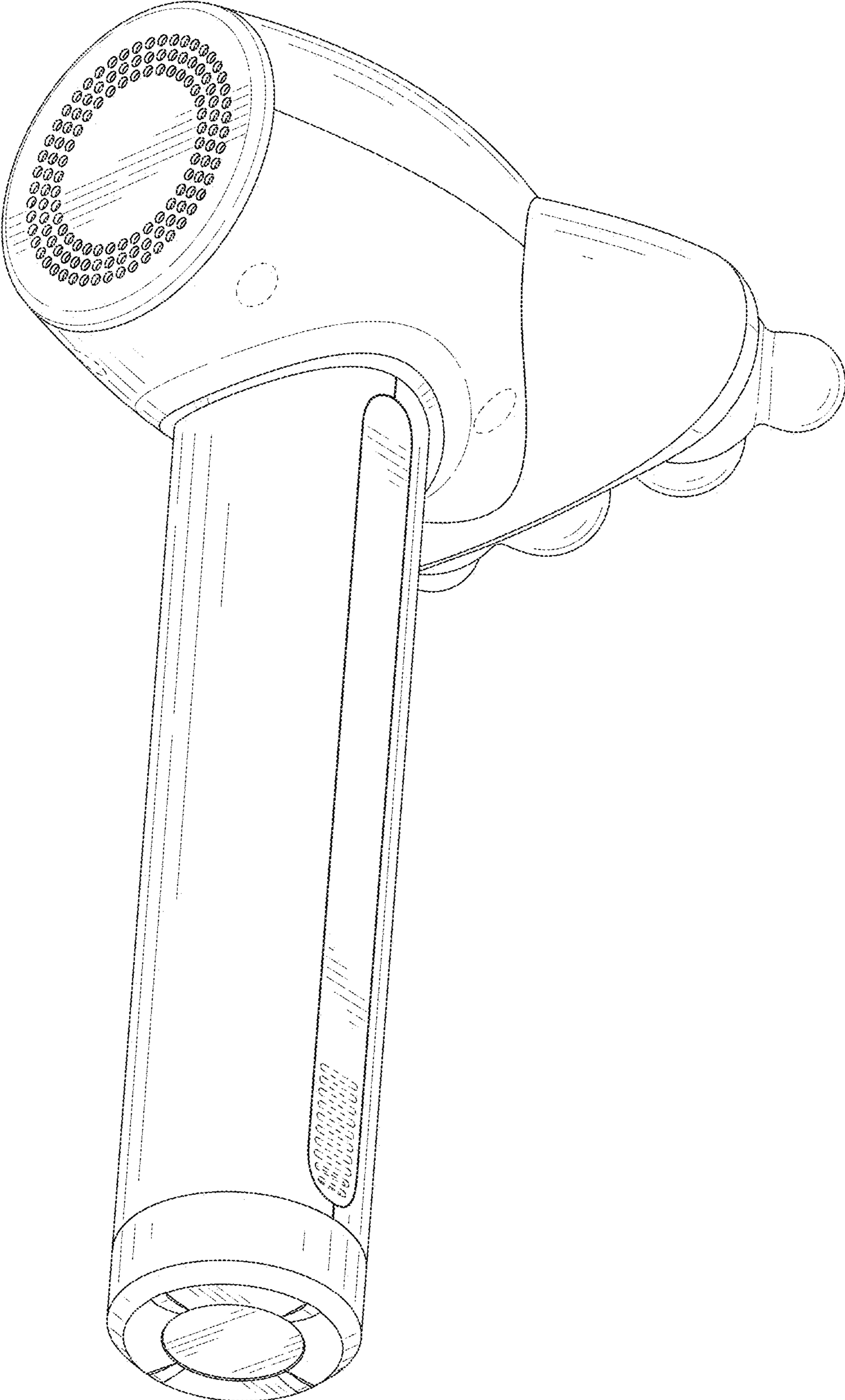


FIG. 2

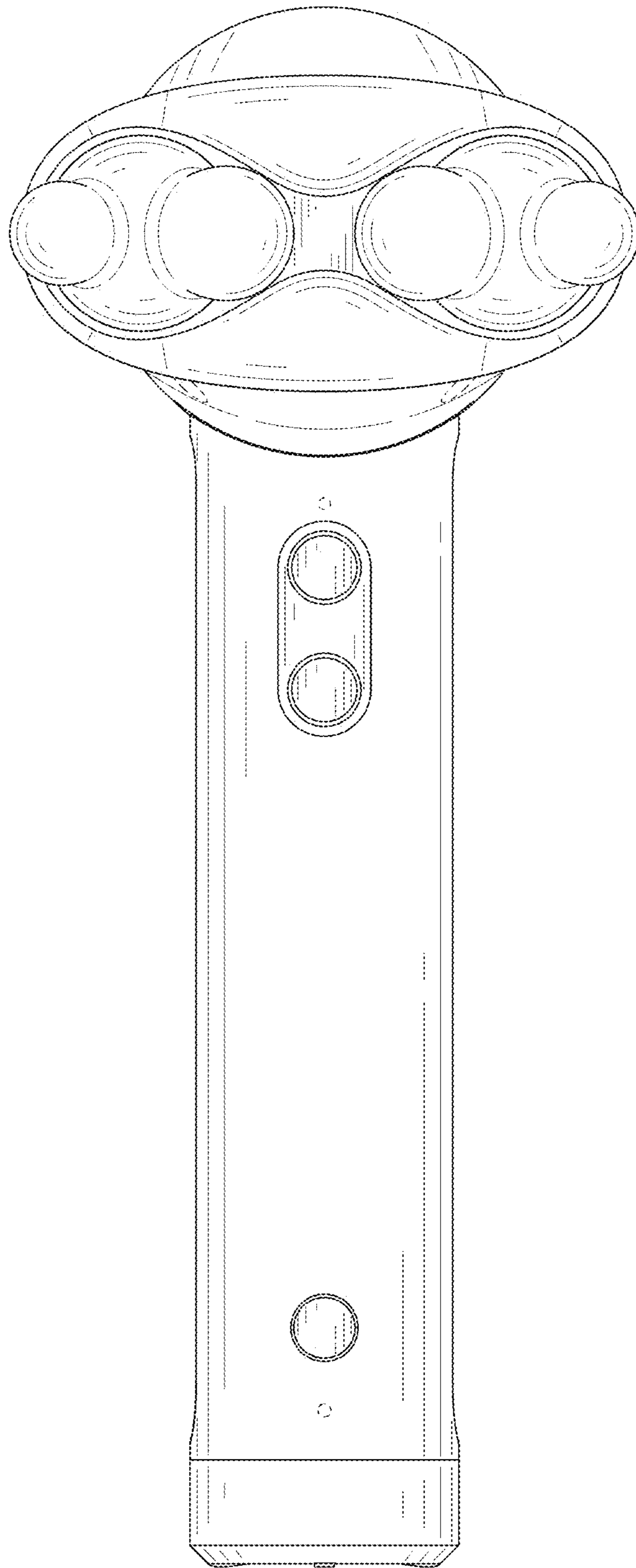


FIG. 3

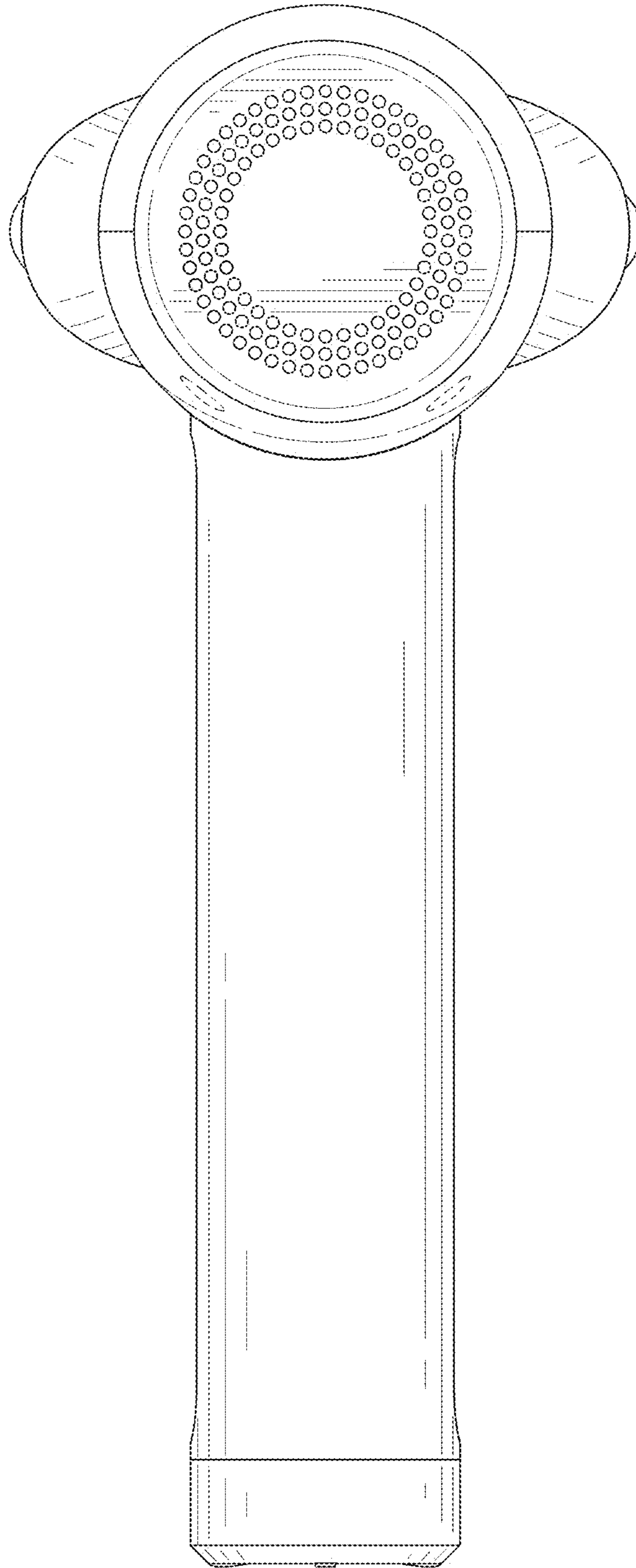


FIG. 4

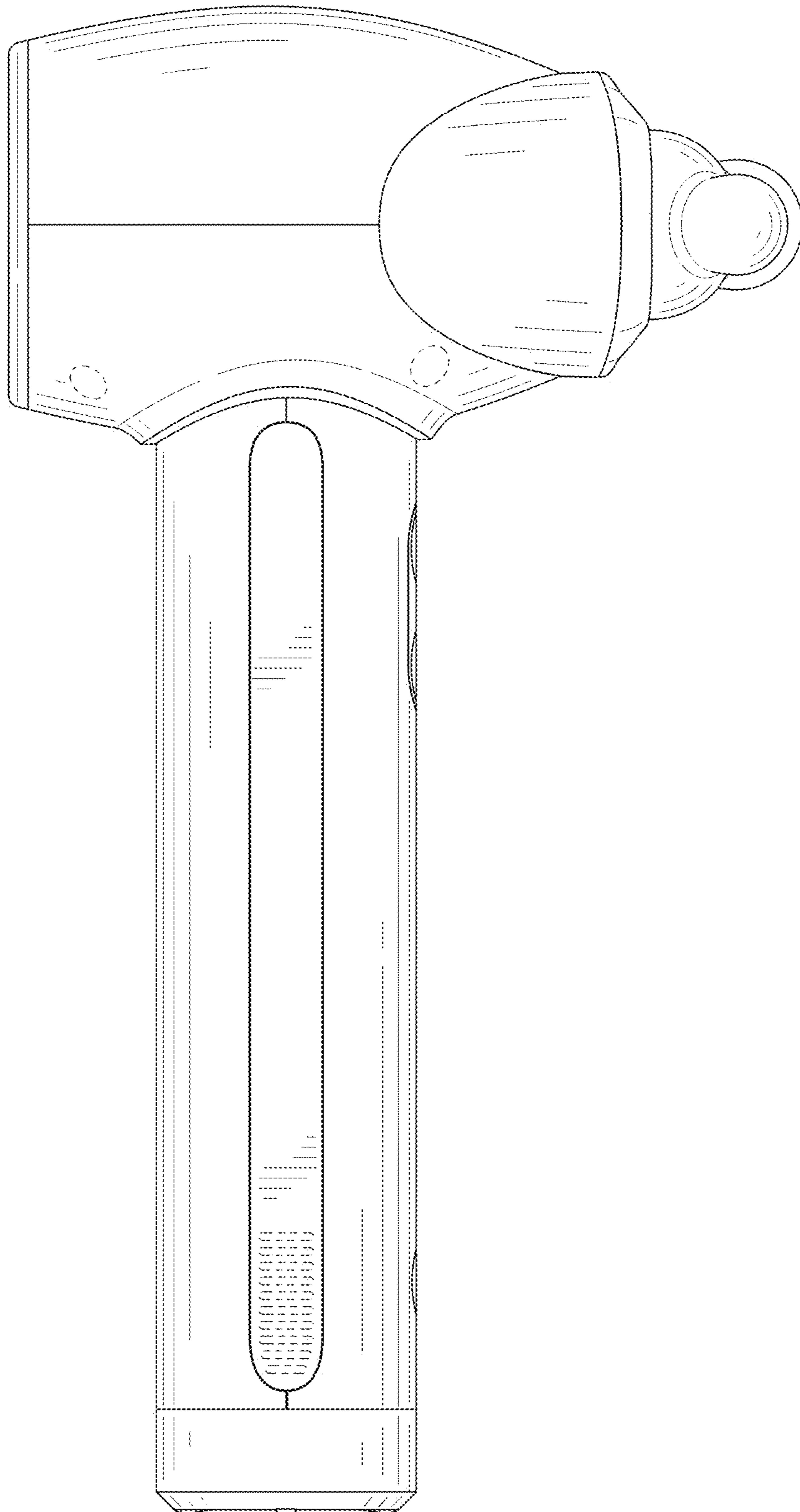


FIG. 5

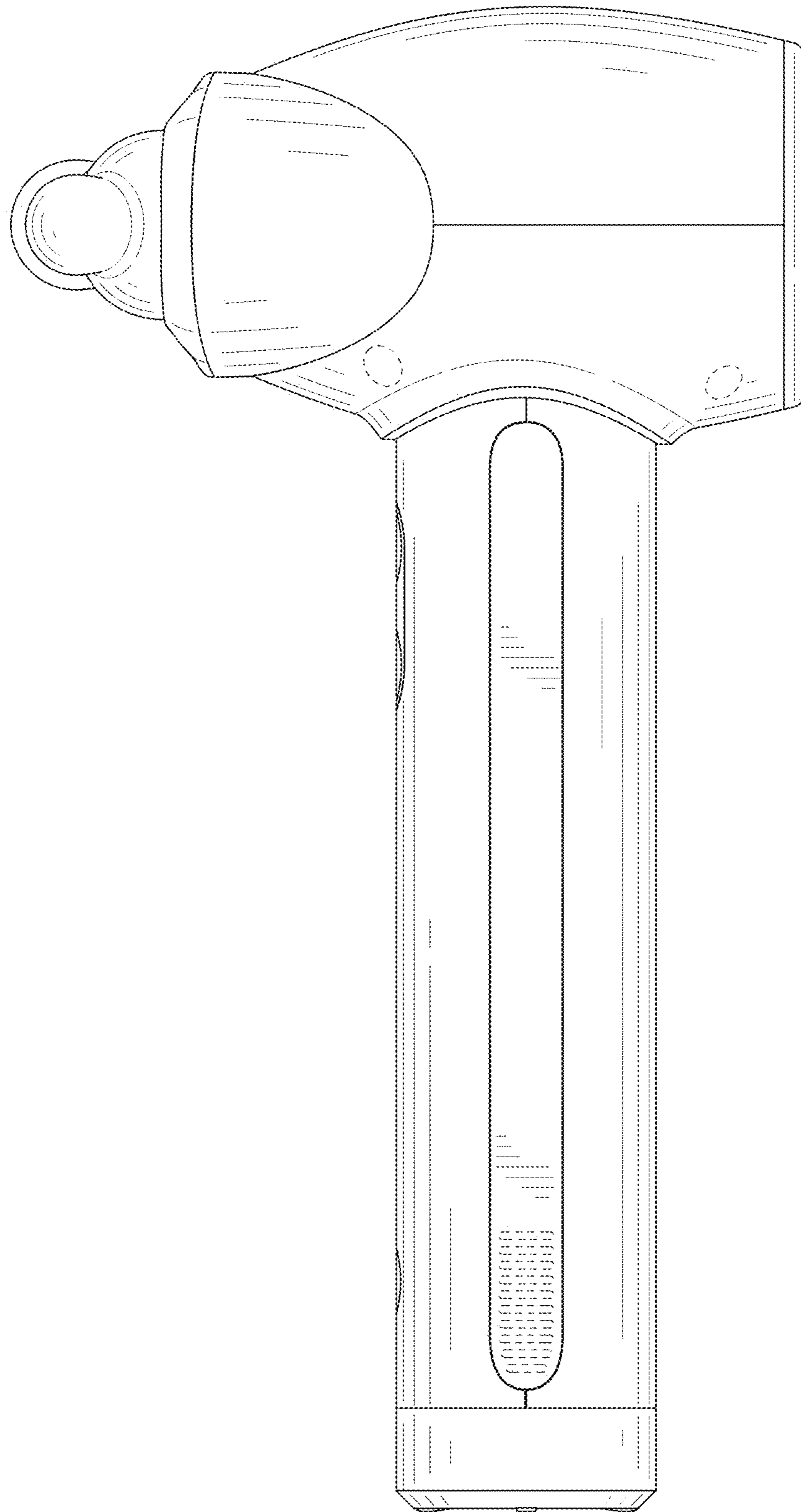


FIG. 6

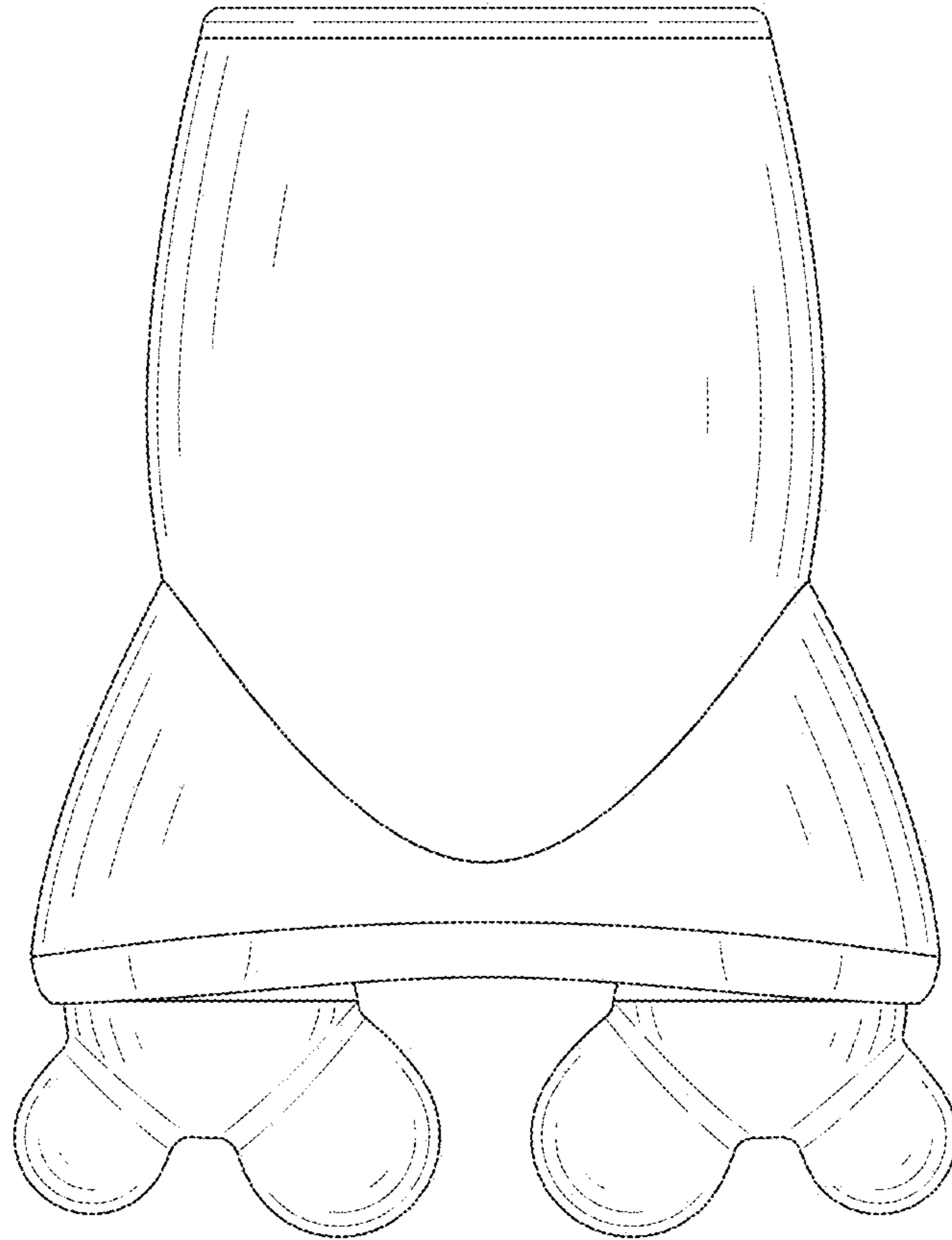


FIG. 7

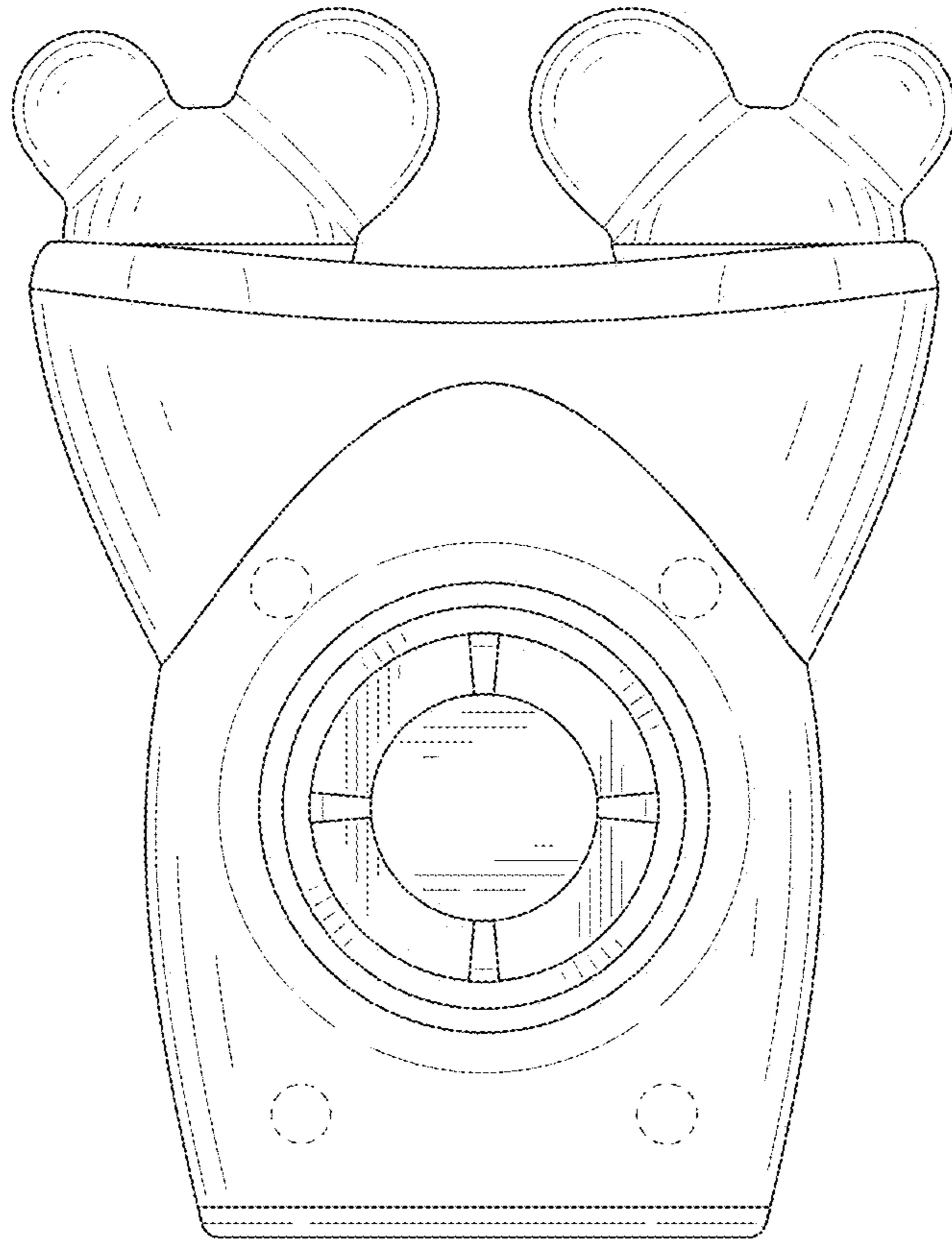


FIG. 8