



US00D952883S

(12) **United States Design Patent** (10) **Patent No.:** **US D952,883 S**
Hong (45) **Date of Patent:** **** May 24, 2022**

(54) **PERSONAL MASSAGER**
(71) Applicant: **Guangzhou Fangqu Health Technology Co., Ltd.**, Guangzhou (CN)
(72) Inventor: **Dongyang Hong**, Guangzhou (CN)
(**) Term: **15 Years**
(21) Appl. No.: **29/729,355**

2008/0091127 A1* 4/2008 Nan A61H 19/34
601/60
2009/0069629 A1* 3/2009 Uson Calvo A61H 19/34
600/38
2009/0105529 A1* 4/2009 Crarer A61H 19/32
600/38
2012/0116273 A1* 5/2012 Nan A61H 19/34
601/46
2014/0228629 A1* 8/2014 Baetica A61H 23/00
600/38

(Continued)

(22) Filed: **Mar. 26, 2020**
(51) **LOC (13) Cl.** **28-03**
(52) **U.S. Cl.**
USPC **D24/215**
(58) **Field of Classification Search**
USPC D24/190, 200, 213, 214, 215
CPC A61H 19/30; A61H 19/40; A61H
2201/1692; A61H 2205/087; A61H 19/32;
A61H 19/34
See application file for complete search history.

OTHER PUBLICATIONS

Amazon, "Strap On Dildos", Mar. 8, 2020. https://www.amazon.com/Wearable-Adjustable-Harness-Hands-Free-Silicone/dp/B07XCT5N6X/ref=cm_cr_arp_d_product_top?ie=UTF8. Shown on p. 1. (Year: 2020).*

Primary Examiner — Michael A Maharajh
(74) *Attorney, Agent, or Firm* — Rumit Ranjit Kanakia

(56) **References Cited**
U.S. PATENT DOCUMENTS

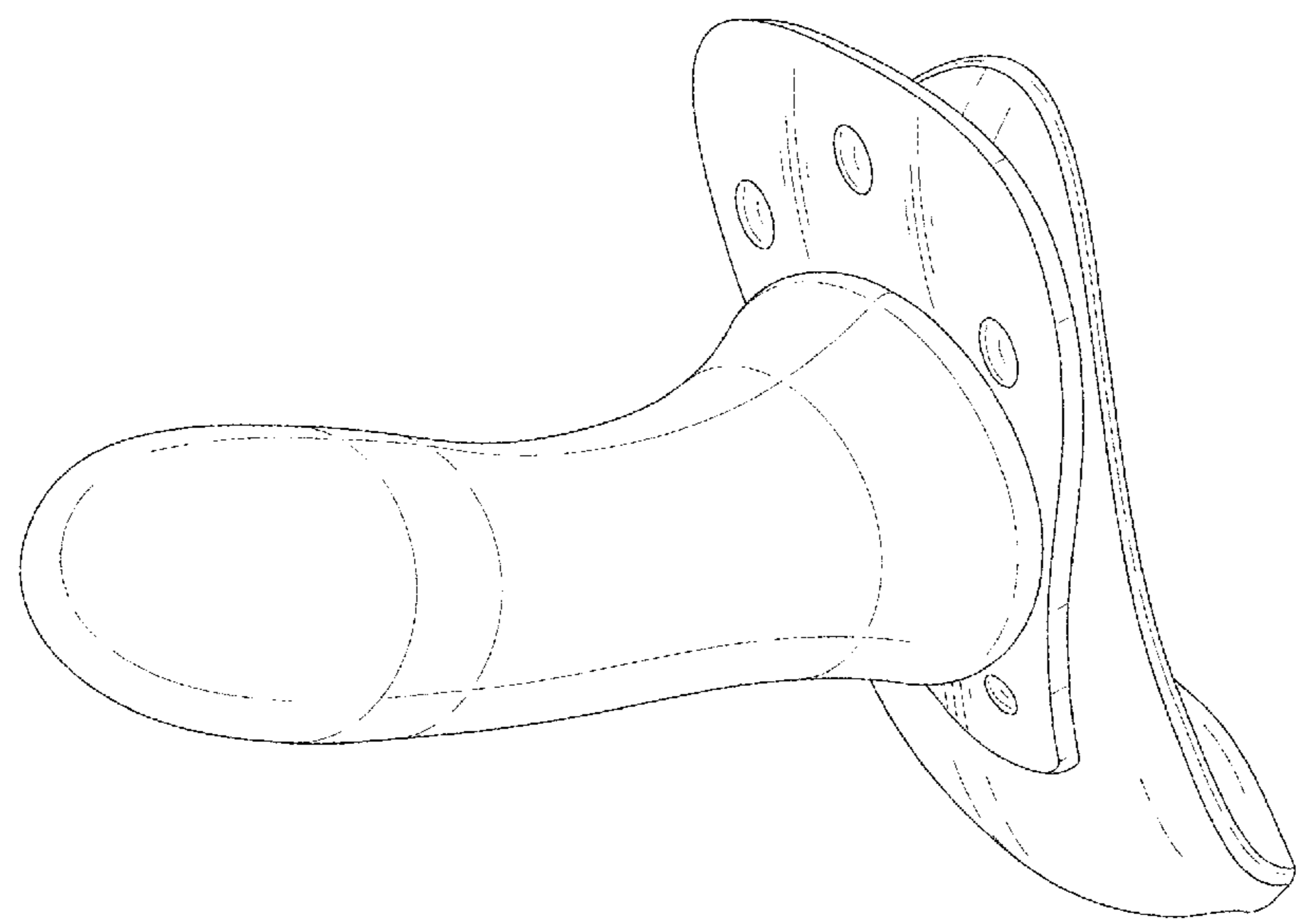
- D557,806 S * 12/2007 Gromosaik D24/105
- D604,425 S * 11/2009 Stewart D24/214
- D621,505 S * 8/2010 Gabbay D24/141
- D706,438 S * 6/2014 Hahr D24/215
- D706,439 S * 6/2014 Hahr D24/215
- D719,665 S * 12/2014 Callow D24/214
- D725,283 S * 3/2015 Sedic D24/215
- D742,025 S * 10/2015 Callow D24/214
- D750,797 S * 3/2016 Mannheim D24/215
- D773,066 S * 11/2016 Sedic D24/215
- D808,034 S * 1/2018 Matsuura D24/215
- D809,150 S * 1/2018 Nolasco D24/215
- D824,037 S * 7/2018 Yueh D24/215
- D840,548 S * 2/2019 Page D24/215
- 10,449,111 B1 * 10/2019 Callow A61H 1/00
- D877,352 S * 3/2020 Jouffret D24/215
- D879,991 S * 3/2020 Li D24/215
- D882,816 S * 4/2020 Dumler D24/215
- D893,739 S * 8/2020 Li D24/215

(57) **CLAIM**
I claim the ornamental design for a personal massager, as shown and described.

DESCRIPTION

FIG. 1 is a Perspective view of a personal massager showing my new design;
FIG. 2 is another Perspective view of the personal massager showing my new design
FIG. 3 is a Front view thereof;
FIG. 4 is a Back view thereof;
FIG. 5 is a Right-side view thereof;
FIG. 6 is a Left-side view thereof;
FIG. 7 is a Top view thereof; and,
FIG. 8 is a Bottom view thereof.
The broken lines shown in FIG. 2 are for the purposes of illustrating environmental structure, which form no part of the claimed design.

1 Claim, 8 Drawing Sheets



(56)

References Cited

U.S. PATENT DOCUMENTS

2015/0157531 A1* 6/2015 Sedic A61H 19/32
601/46
2016/0279019 A1* 9/2016 Callow A61H 19/32
2017/0042758 A1* 2/2017 Cregan A61H 23/02
2018/0116904 A1* 5/2018 Lieberman A61H 23/02
2018/0185237 A1* 7/2018 Baetica A61H 23/0263
2018/0193620 A1* 7/2018 Barasch A61H 19/32
2019/0274868 A1* 9/2019 Callow A61F 5/41
2020/0268595 A1* 8/2020 Lewis A61H 19/30

* cited by examiner

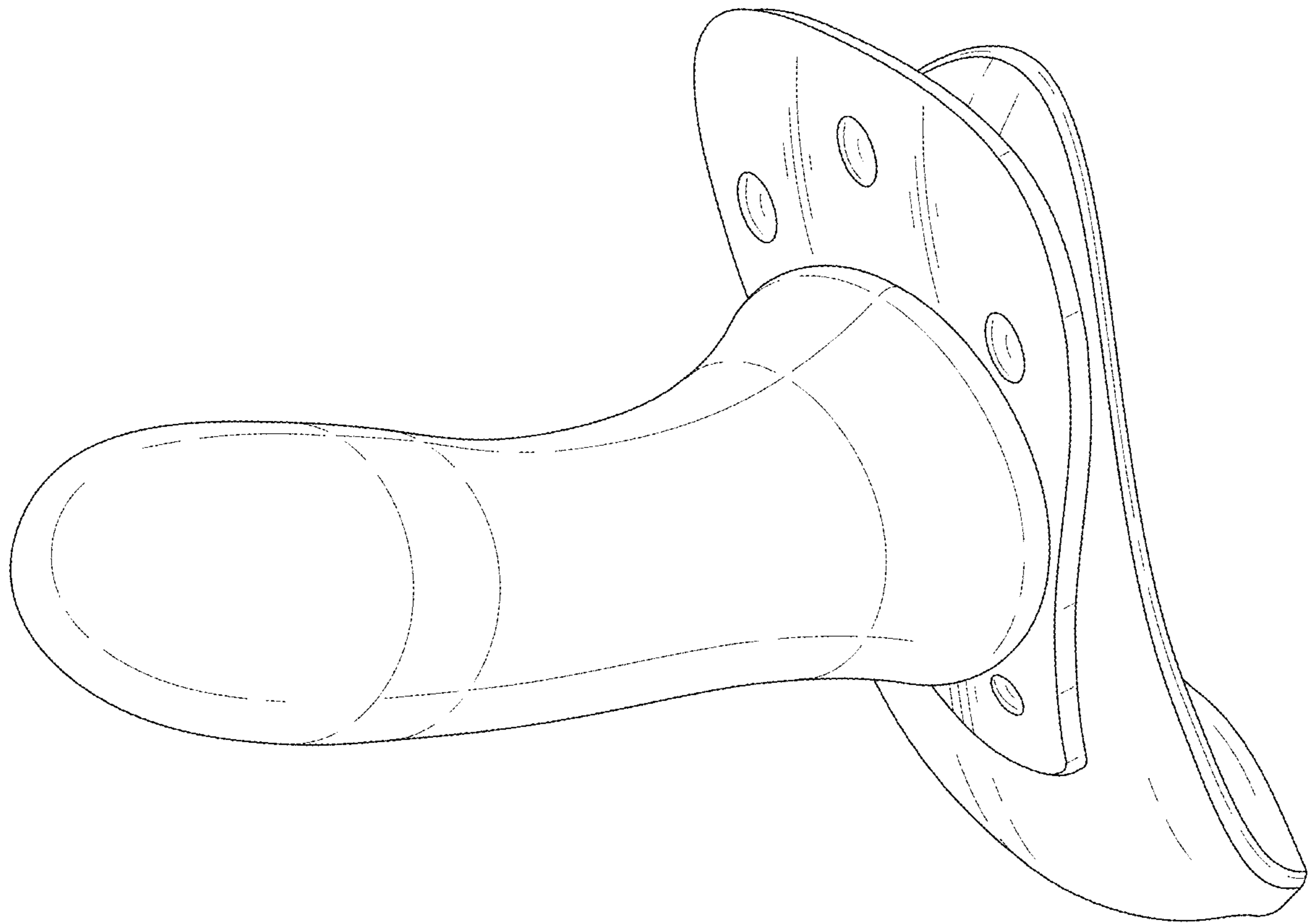


FIG. 1

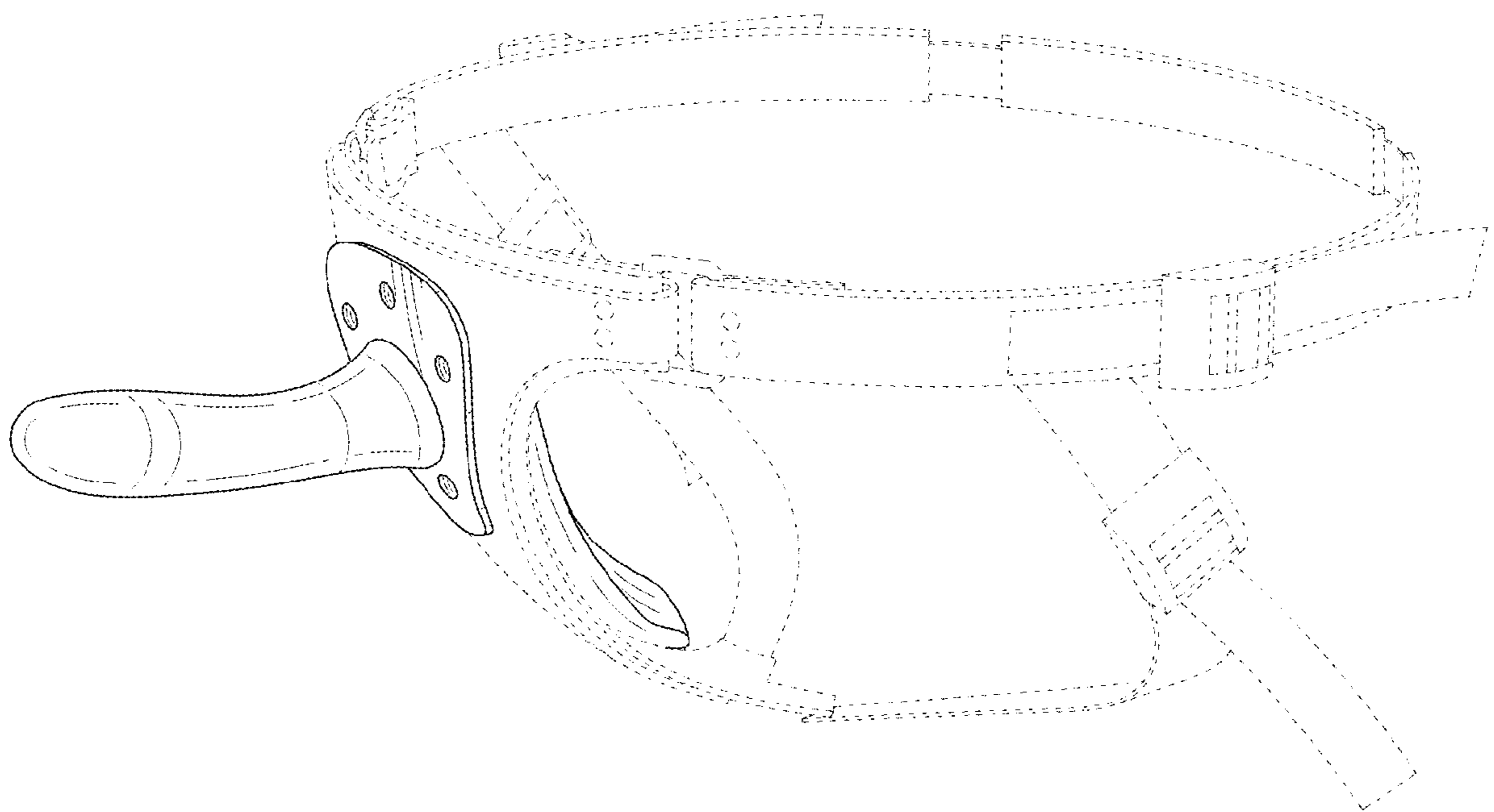


FIG. 2

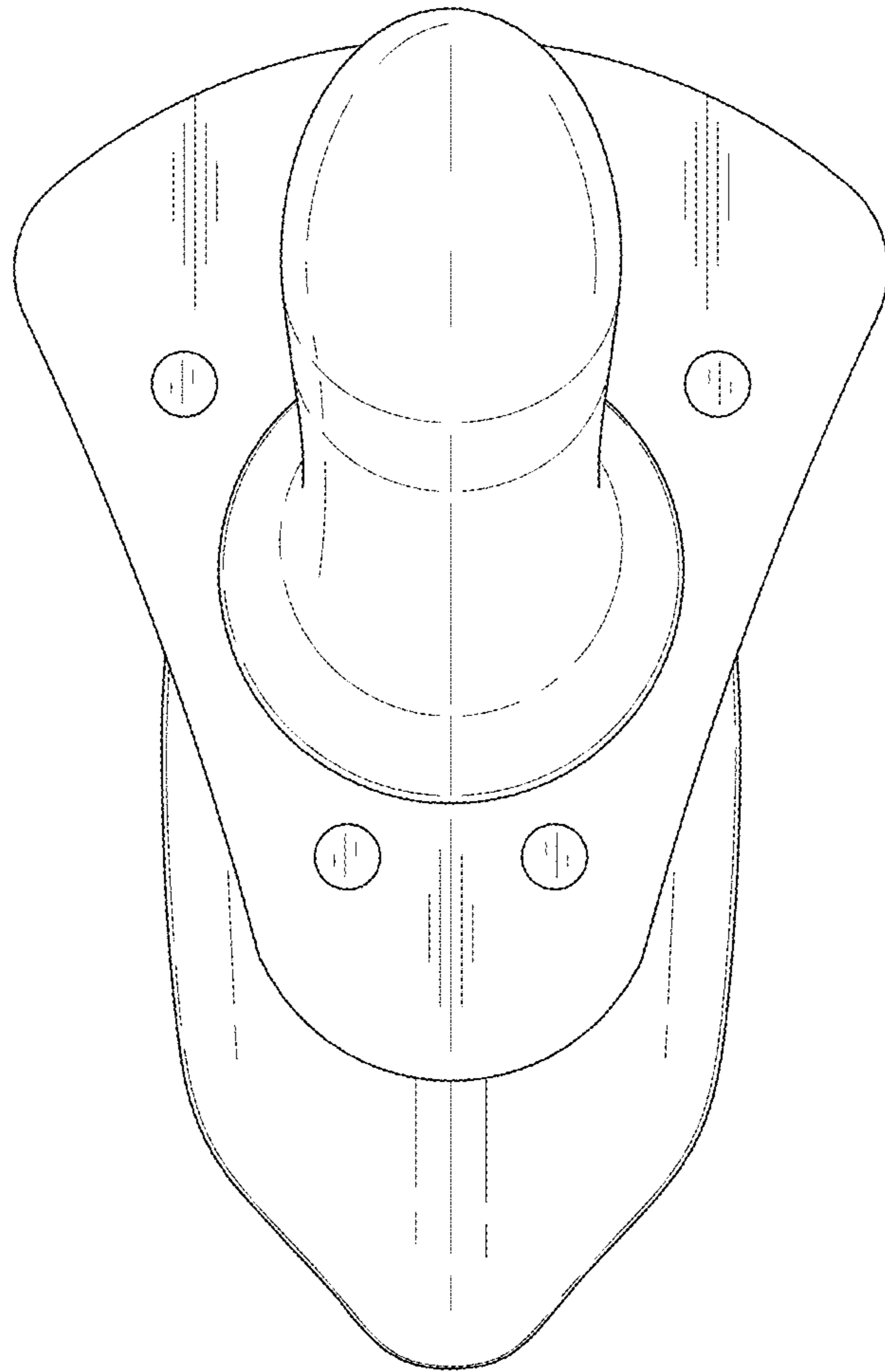


FIG. 3

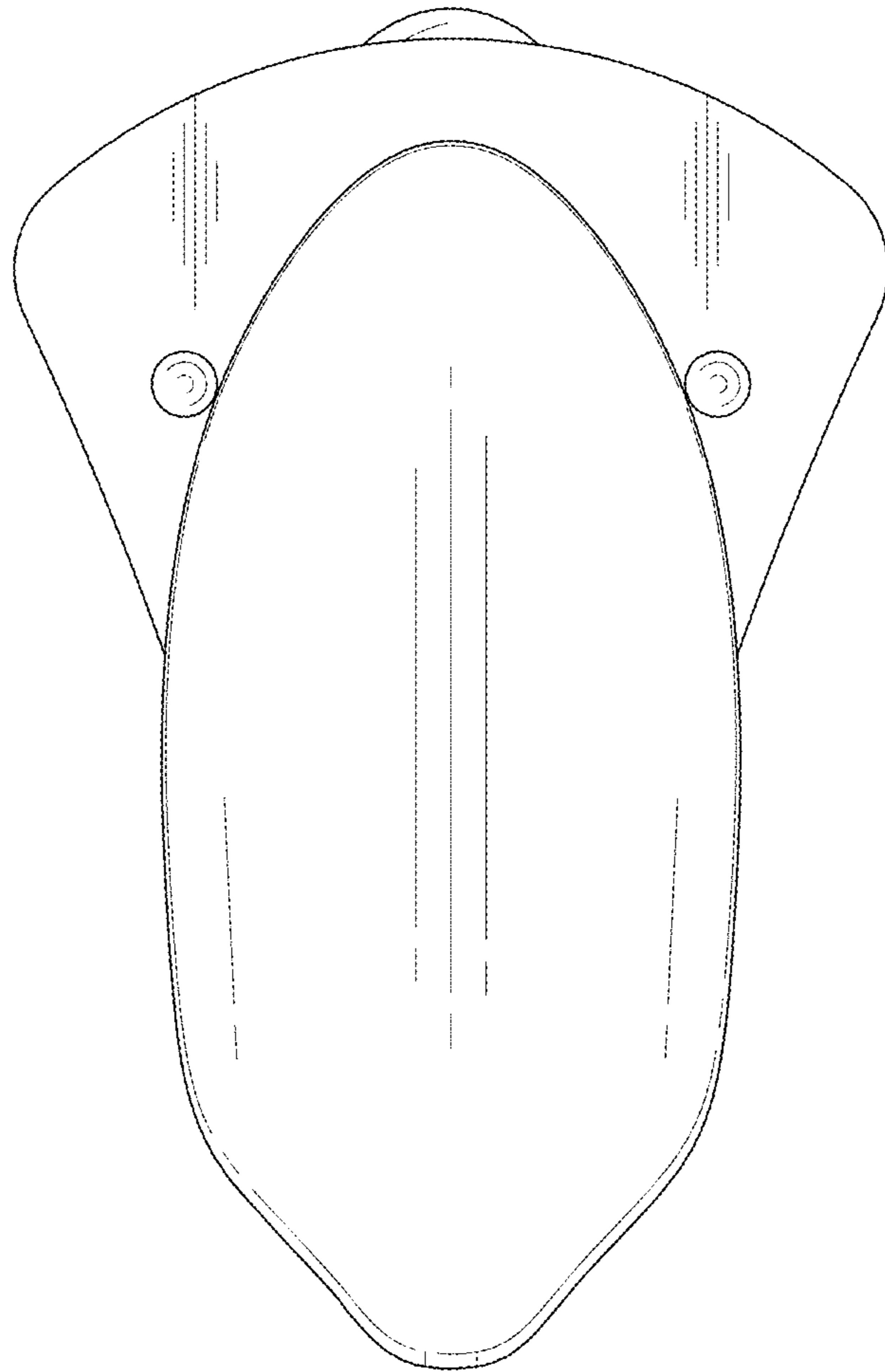


FIG. 4

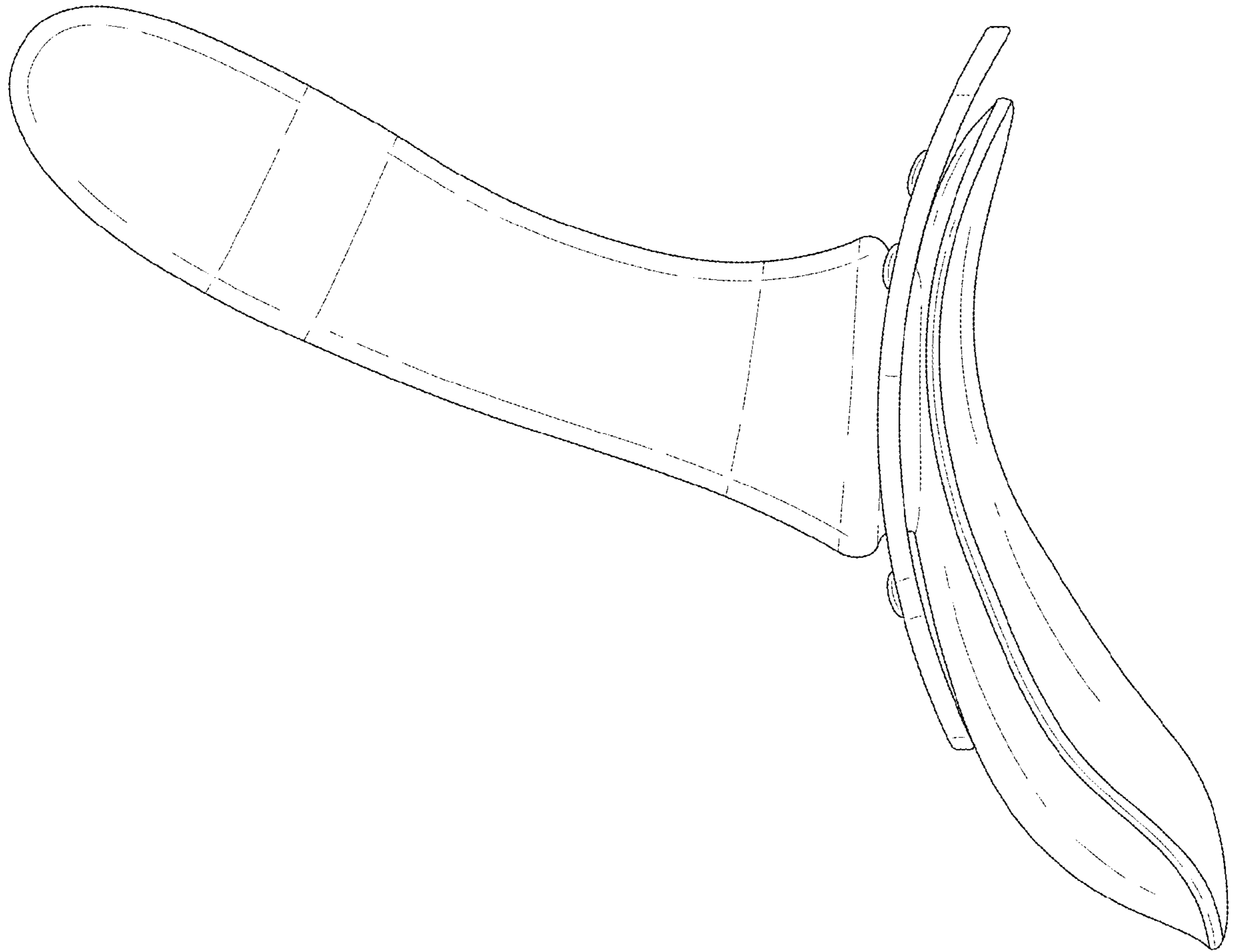


FIG. 5

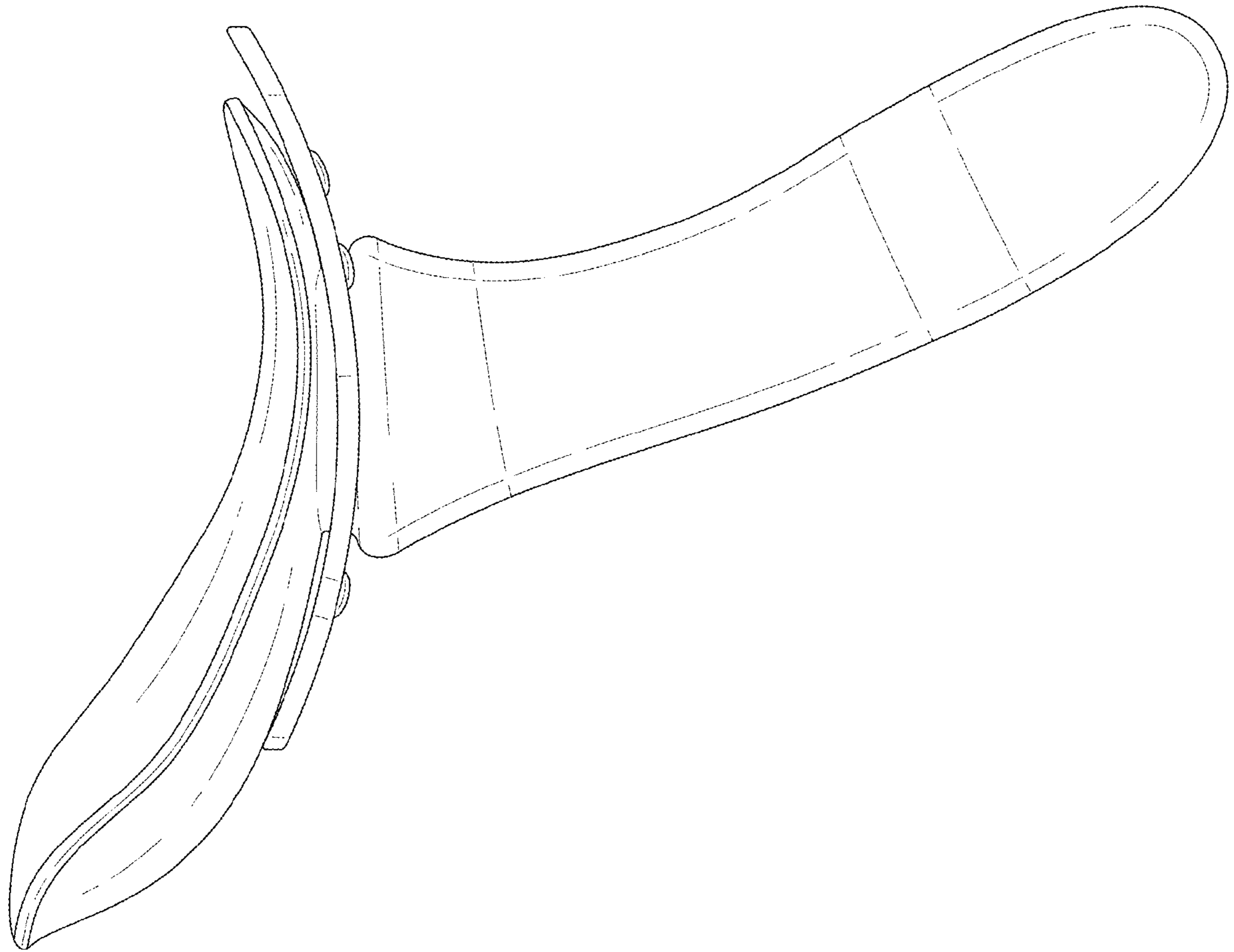


FIG. 6

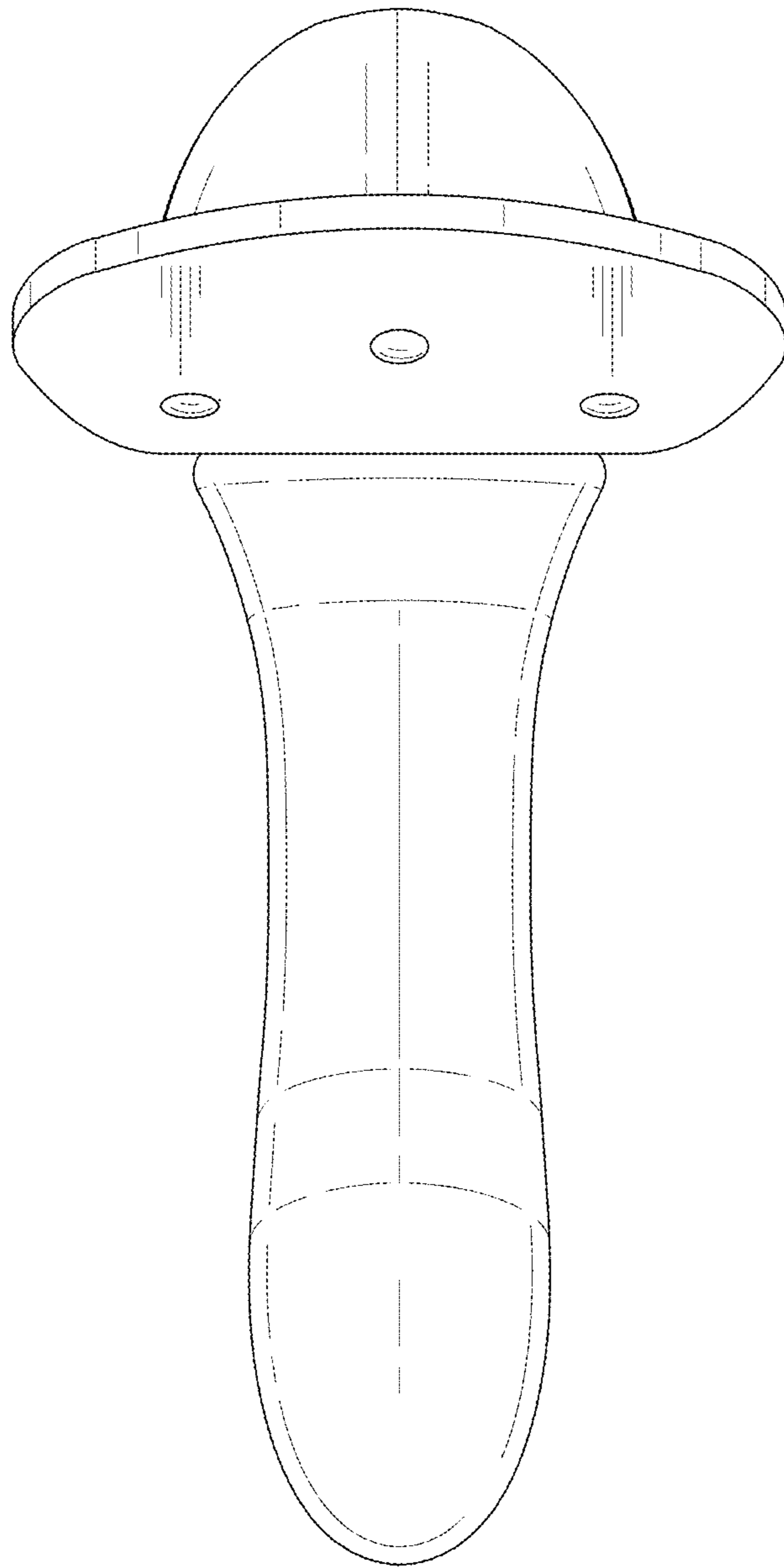


FIG. 7

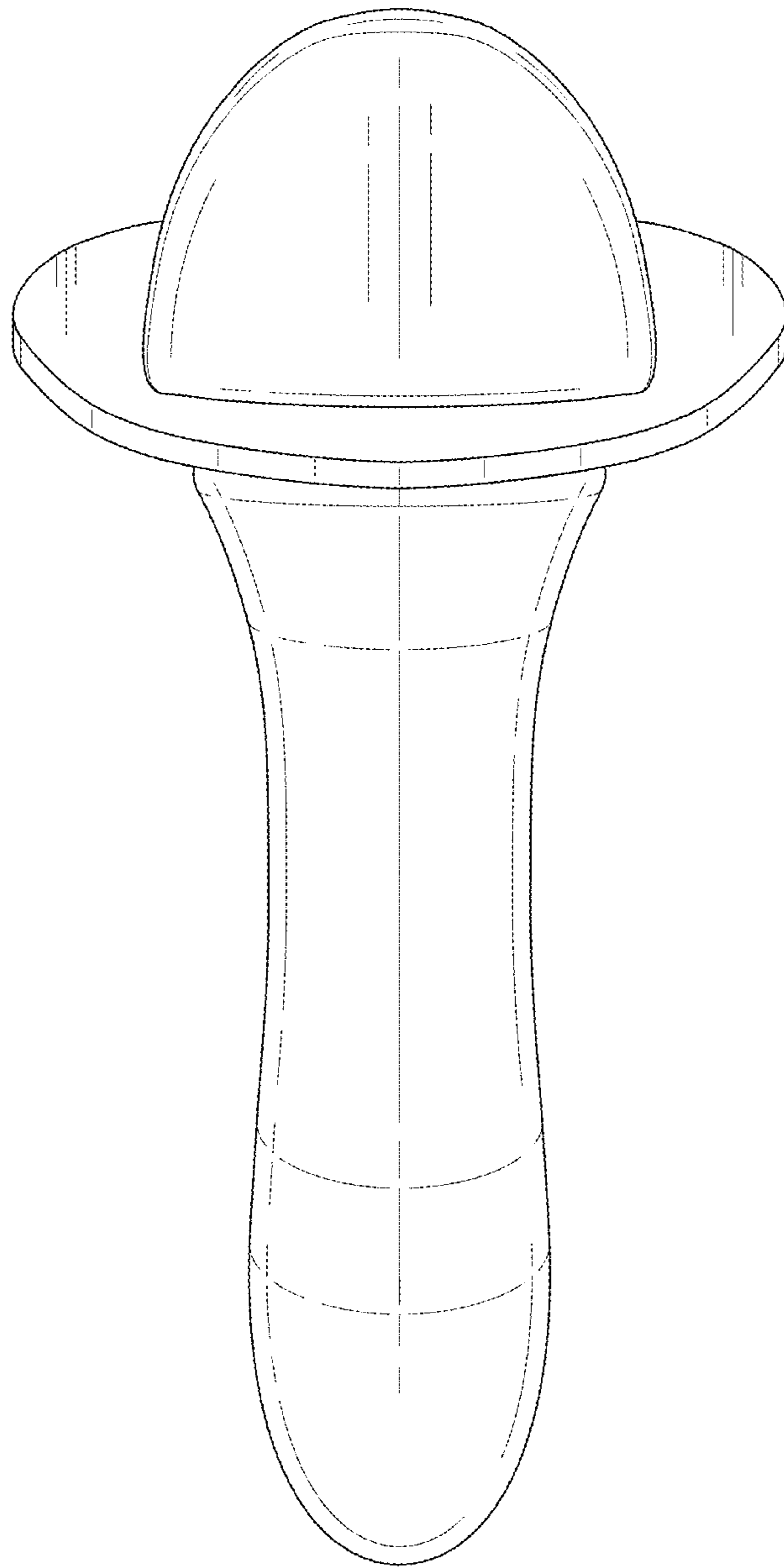


FIG. 8