



US00D952882S

(12) **United States Design Patent**
Lisiten et al.

(10) **Patent No.:** **US D952,882 S**
(45) **Date of Patent:** **** May 24, 2022**

(54) **COMBINED HEAD AND NECK MASSAGER**

(71) Applicant: **TRUCORE DISTRIBUTORS, INC.**,
Kings Park, NY (US)

(72) Inventors: **Darren Lisiten**, Kings Park, NY (US);
Ming Yue Zheng, Smithtown, NY (US)

(73) Assignee: **TruCore Distributors, Inc.**, Kings
Park, NY (US)

(**) Term: **15 Years**

(21) Appl. No.: **29/716,390**

(22) Filed: **Dec. 9, 2019**

(51) **LOC (13) Cl.** **28-03**

(52) **U.S. Cl.**
USPC **D24/215**

(58) **Field of Classification Search**
USPC D24/191, 200, 211, 212, 213, 214, 215
CPC A61H 2201/5025; A61H 7/002; A61H
7/007; A61H 2201/1623
See application file for complete search history.

(56) **References Cited**

U.S. PATENT DOCUMENTS

D250,835 S *	1/1979	Grube	D24/215
D253,790 S *	12/1979	Grube	D24/215
D337,826 S *	7/1993	Iverson	D24/206
D389,584 S *	1/1998	Leventhal	D24/200
D517,217 S *	3/2006	Zou	D24/215
D609,818 S *	2/2010	Tsang	D24/215
D625,427 S *	10/2010	Lee	D24/214
D649,655 S *	11/2011	Petersen	D24/215
D674,501 S *	1/2013	Petersen	D24/215
D693,016 S *	11/2013	Ma	D24/215
D769,453 S *	10/2016	Ma	D24/215
D810,312 S *	2/2018	Cascini	D24/200
D812,238 S *	3/2018	Ho	D24/200
D816,858 S *	5/2018	Gan	D24/215
D817,504 S *	5/2018	Float	D24/191

D817,508 S *	5/2018	Gan	D24/215
D818,596 S *	5/2018	Zheng	D24/200
D847,361 S *	4/2019	Lee	D24/215
D849,256 S *	5/2019	Lin	D24/200
D850,643 S *	6/2019	Zhong	D24/215
D851,272 S *	6/2019	Huang	D24/215
D852,974 S *	7/2019	Lee	D24/215
D853,577 S *	7/2019	Li	D24/215
D887,019 S *	6/2020	Wang	D24/215
D888,263 S *	6/2020	Du	D24/215
D895,830 S *	9/2020	Nakamura	D24/215
D903,139 S *	11/2020	Liang	D24/215
D905,266 S *	12/2020	Liu	D24/215

(Continued)

OTHER PUBLICATIONS

Amazon, "Shiatsu Neck Back and Shoulder Massager", Sep. 19, 2019. https://www.amazon.com/MagicHands-truShiatsu-Neck-Back-Massager/dp/B07Y3W8B5J/ref=cm_cr_arp_d_product_top?ie=UTF8. Shwon on p. 1. (Year: 2019).*

(Continued)

Primary Examiner — Michael A Maharajh

(74) *Attorney, Agent, or Firm* — Margaret Anderson

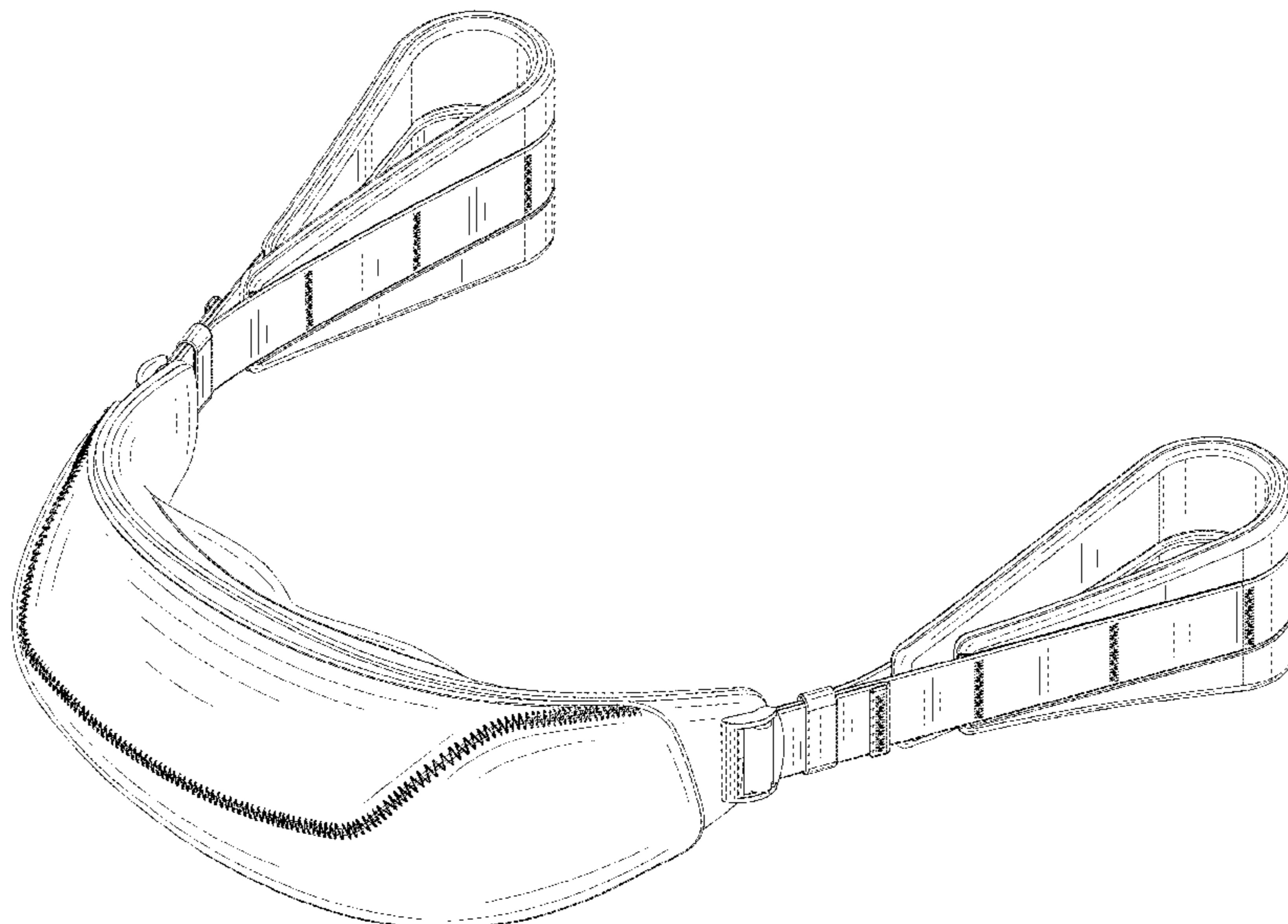
(57) **CLAIM**

The ornamental design for a combined head and neck massager, as shown and described.

DESCRIPTION

FIG. 1 is a front perspective view of a combined head and neck massager showing my new design; FIG. 2 is a rear perspective view thereof; FIG. 3 is a front view thereof; FIG. 4 is a rear view thereof; FIG. 5 is a top view thereof; FIG. 6 is a bottom view thereof; FIG. 7 is a left view thereof; and, FIG. 8 is a right side view thereof.

1 Claim, 6 Drawing Sheets



(56)

References Cited

U.S. PATENT DOCUMENTS

D911,542 S * 2/2021 Zhang D24/215
D921,214 S * 6/2021 Wu D24/215
D921,912 S * 6/2021 Grbic D24/211
2014/0188019 A1 * 7/2014 Ma A61H 7/007
601/112
2021/0022950 A1 * 1/2021 Zheng A61H 1/00

OTHER PUBLICATIONS

TruMedic, "MagicHands TruShiatsu Neck and Back Massager",
Feb. 13, 2021. <https://truemedic.com/collections/massagers/products/magichands-trushiatsu-neck-back-massager?variant=32325764579407>. Shwon on p. 1. (Year: 2021).*

* cited by examiner

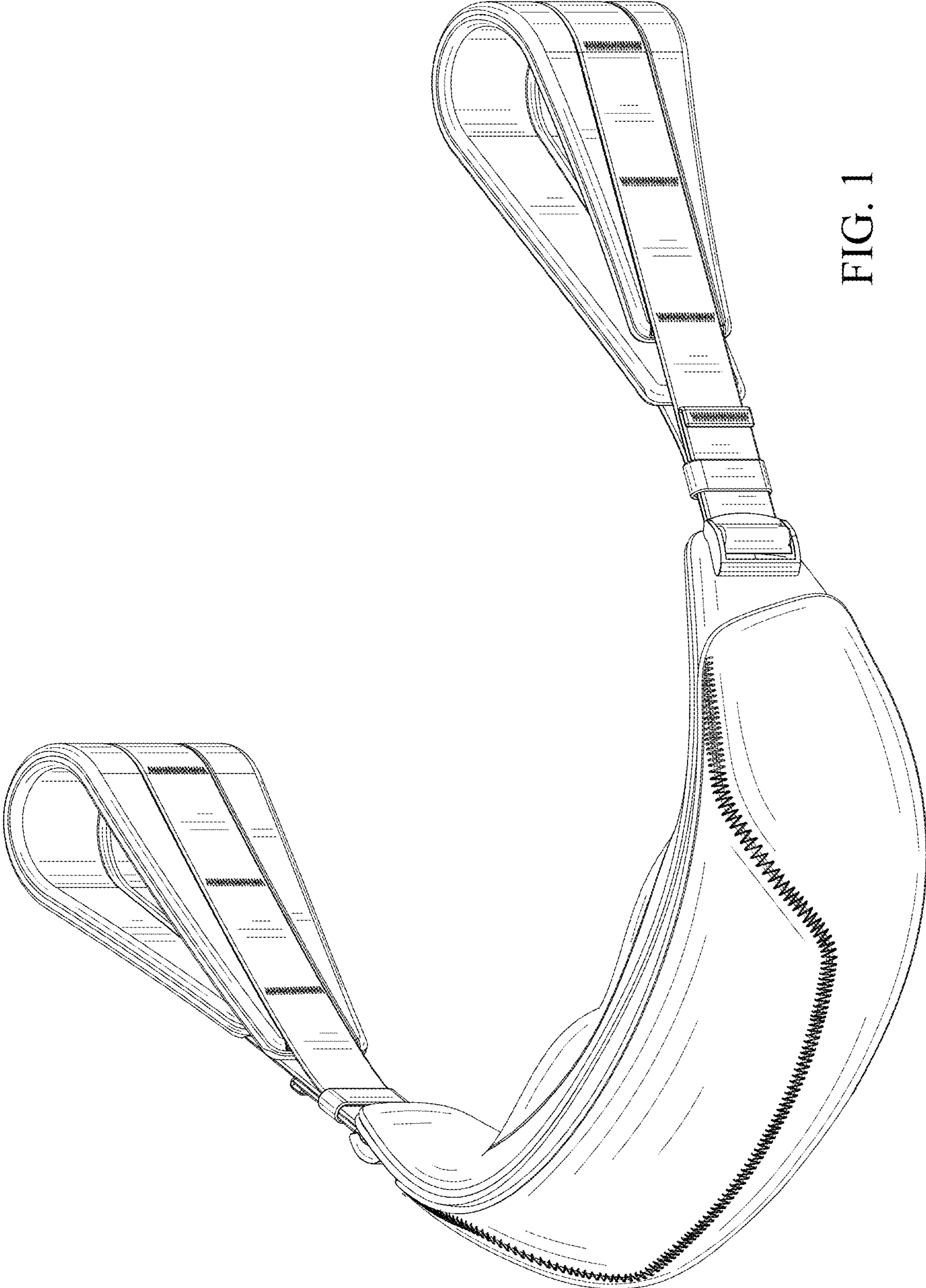


FIG. 1

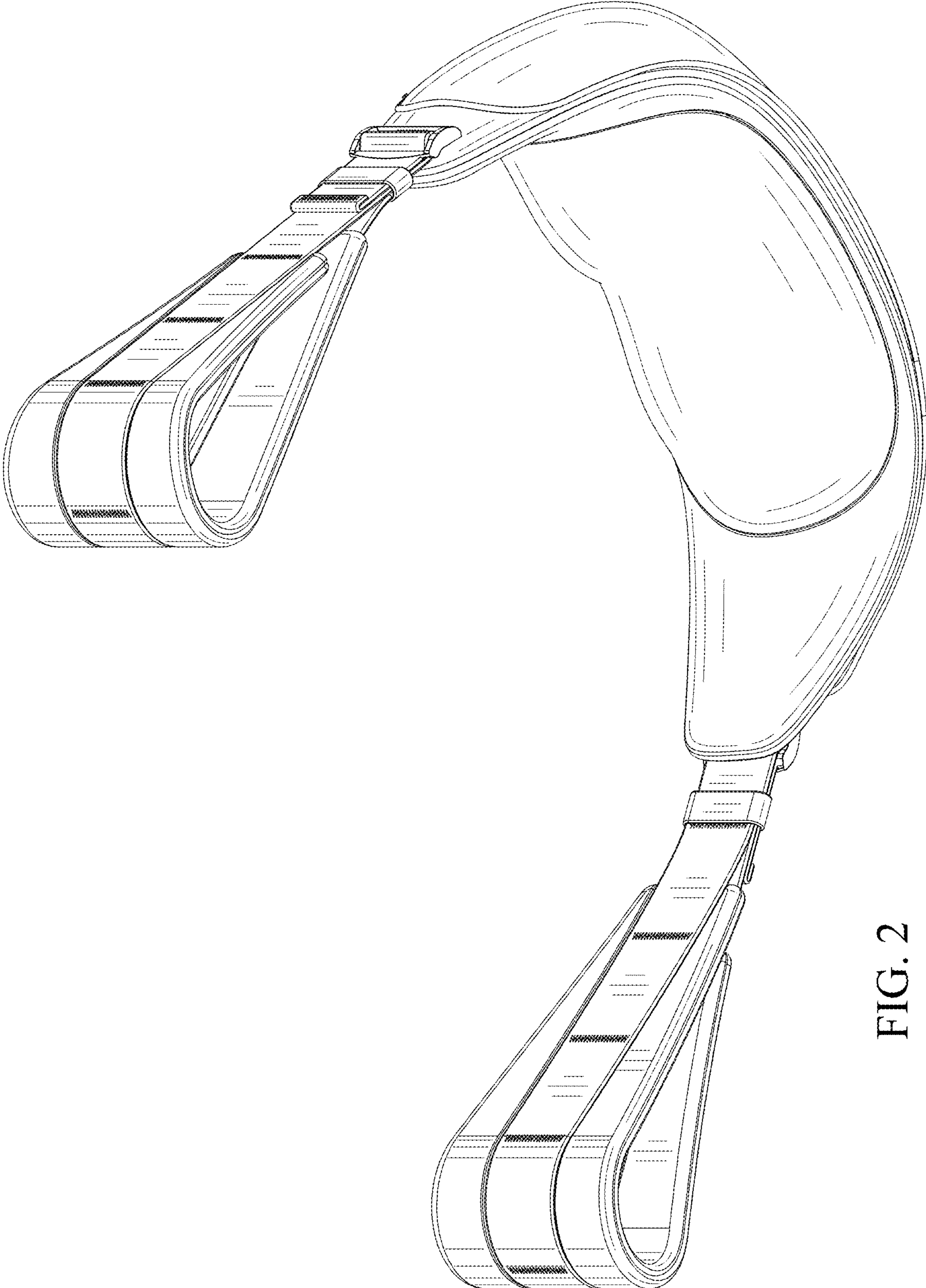


FIG. 2

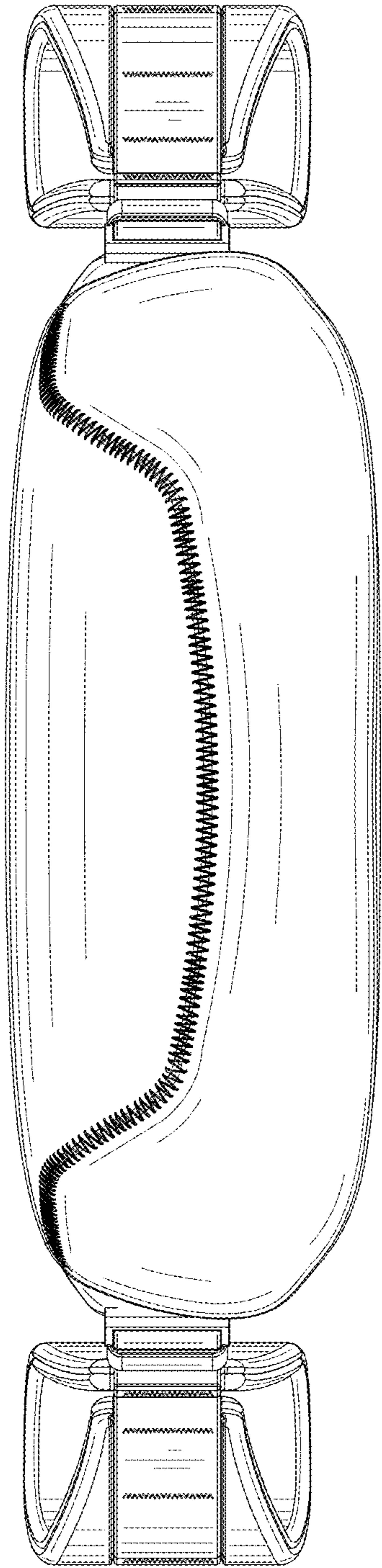


FIG. 3

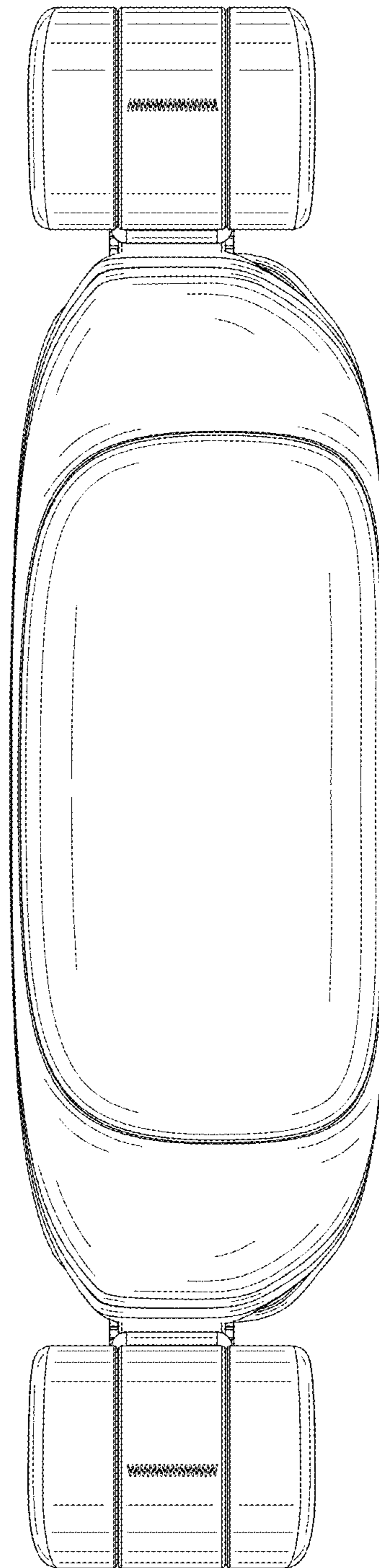


FIG. 4

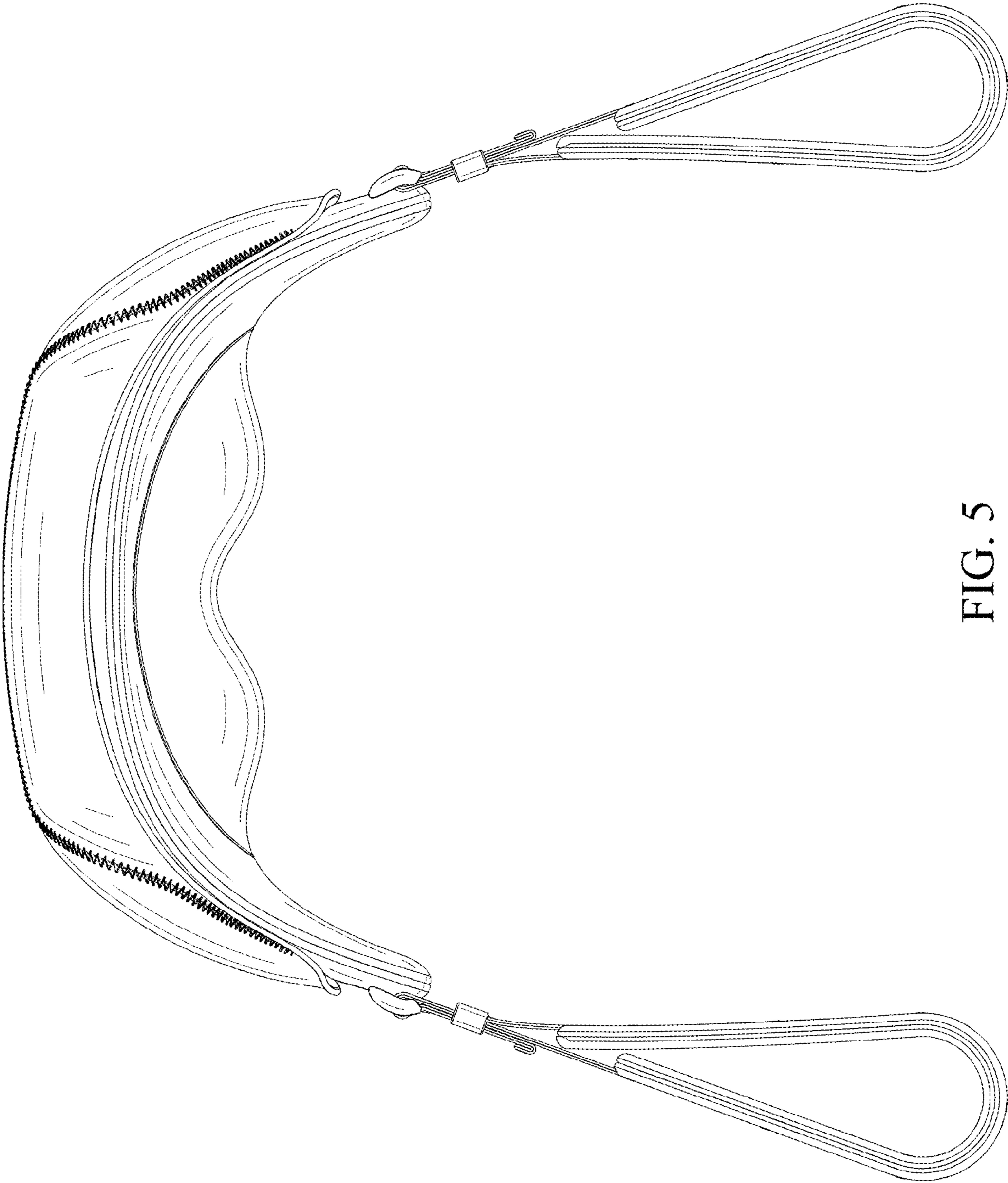


FIG. 5

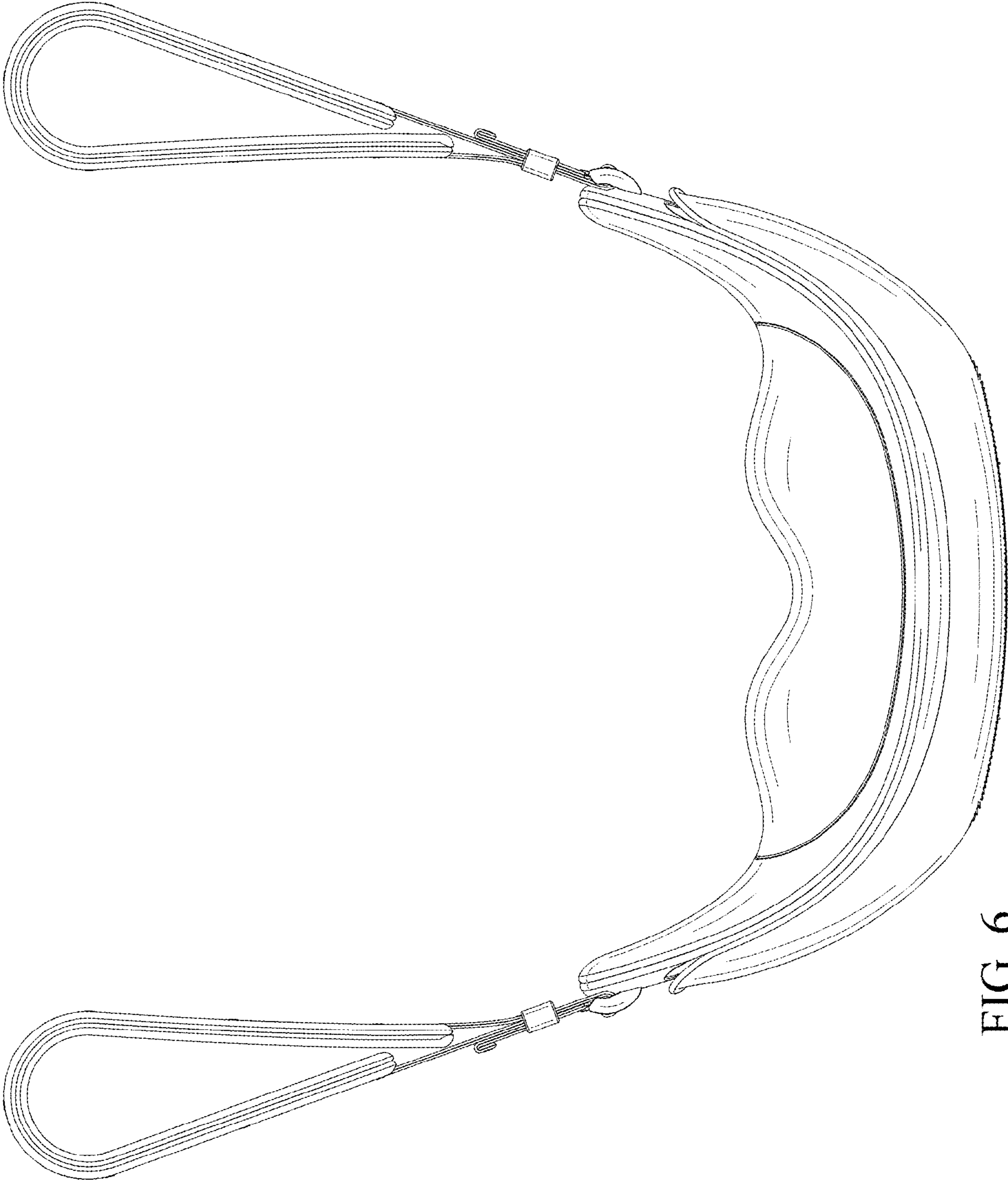


FIG. 6

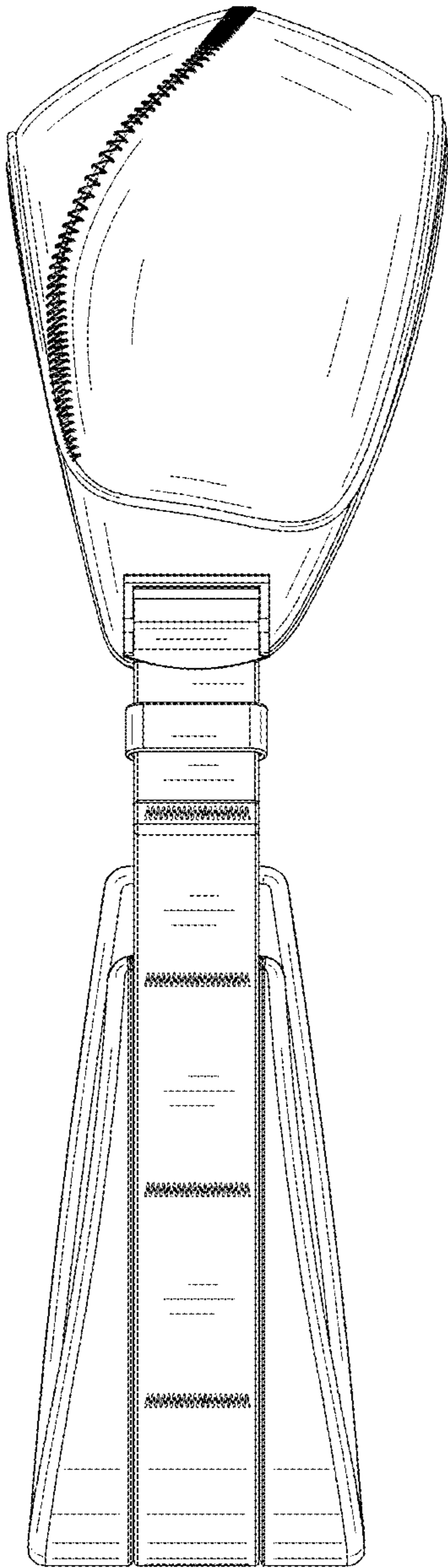


FIG. 7

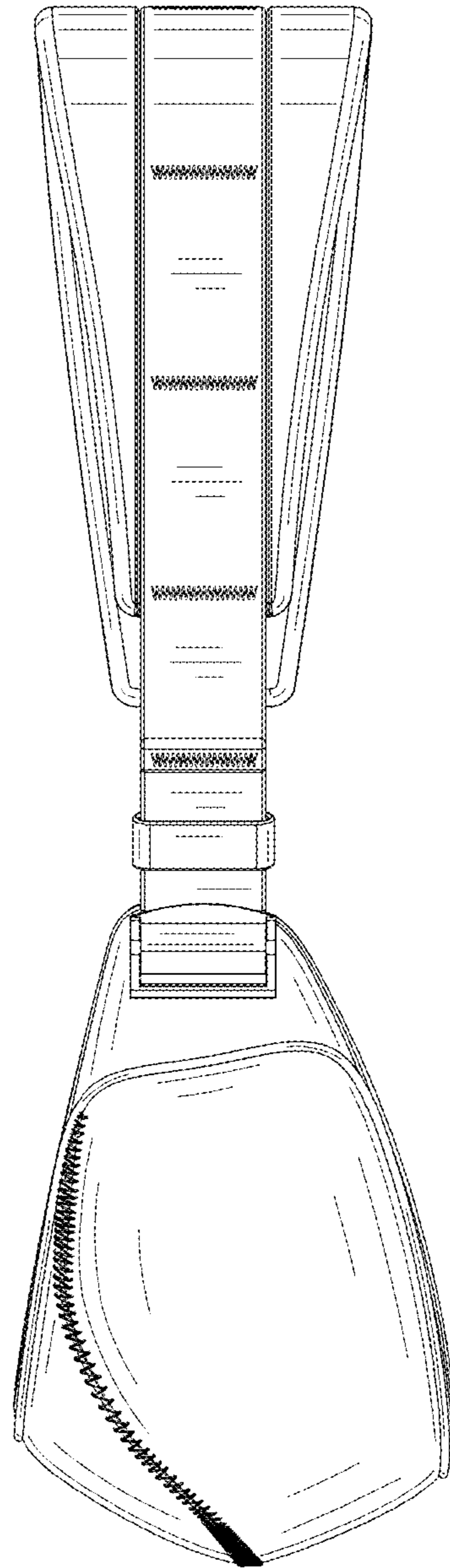


FIG. 8