



US00D952875S

(12) **United States Design Patent**
Wyant et al.

(10) **Patent No.:** **US D952,875 S**
(45) **Date of Patent:** **** May 24, 2022**

- (54) **COOLING BAND**
- (71) Applicant: **Body Cooling Innovations LLC**,
Seattle, WA (US)
- (72) Inventors: **Benjamin Wyant**, Seattle, WA (US);
Dillon Turnbow, Thornton, CO (US)
- (73) Assignee: **Body Cooling Innovations, LLC**,
Seattle, WA (US)
- (**) Term: **15 Years**
- (21) Appl. No.: **29/741,860**
- (22) Filed: **Jul. 16, 2020**
- (51) **LOC (13) Cl.** **24-04**
- (52) **U.S. Cl.**
USPC **D24/206**
- (58) **Field of Classification Search**
USPC D24/206–208, 186, 189–192;
D10/30–32, 38; D14/344
CPC A61F 7/00; A61F 7/02; A61F 7/10; A61F
7/106; A61F 2007/0035
See application file for complete search history.

(56) **References Cited**

U.S. PATENT DOCUMENTS

5,165,402	A *	11/1992	McCoy	A61F 7/02 607/108
5,766,235	A *	6/1998	Kostopoulos	A61F 7/10 62/530
D623,307	S *	9/2010	Warner	D24/206
8,641,745	B2 *	2/2014	Warner	A61F 7/02 607/111
9,644,880	B2 *	5/2017	Paul	F25D 5/02
10,182,937	B2 *	1/2019	Smith	A61F 7/007
D877,346	S *	3/2020	Whitely	D24/206
11,256,309	B2 *	2/2022	Smith	A61F 7/00

2011/0106227	A1 *	5/2011	Desiderio	A61F 7/02 607/111
2018/0042761	A1 *	2/2018	Smith	A61F 7/02
2020/0289314	A1 *	9/2020	Smith	A61F 7/02
2021/0045914	A1 *	2/2021	Kilbey	A61F 7/02

OTHER PUBLICATIONS

Cooling Cuff, Body Cooling Product for Your Wrist, Provides Rapid Heat Relief, Wear for 10-15 Minutes, Reusable Personal Cooling Packs, Great for Heat Intolerance. Mar. 6, 2021. Retrieved on Mar. 21, 2022. Retrieved from the Internet [<https://www.amazon.com/Cooling-Cuff-Wearable-Sweating-Recovery/dp/B08NRK7GJ8>].*

* cited by examiner

Primary Examiner — Wan Laymon

(74) *Attorney, Agent, or Firm* — Duft & Bornsen, PC

(57) **CLAIM**

The ornamental design for a cooling band, as shown and described.

DESCRIPTION

FIG. 1 is a bottom perspective view of a cooling band in accordance with the present design.

FIG. 2 is a top perspective view thereof.

FIG. 3 is a bottom view thereof.

FIG. 4 is a left view thereof.

FIG. 5 is a top side view thereof.

FIG. 6 is a right view thereof.

FIG. 7 is an enlarged front view thereof.

FIG. 8 is an enlarged back view thereof; and,

FIG. 9 is a cross-sectional view thereof, taken along line 9-9 of FIG. 5.

The broken lines in the drawings are included for the purpose of illustration of portions of the cooling band and form no part of the claimed design.

1 Claim, 4 Drawing Sheets

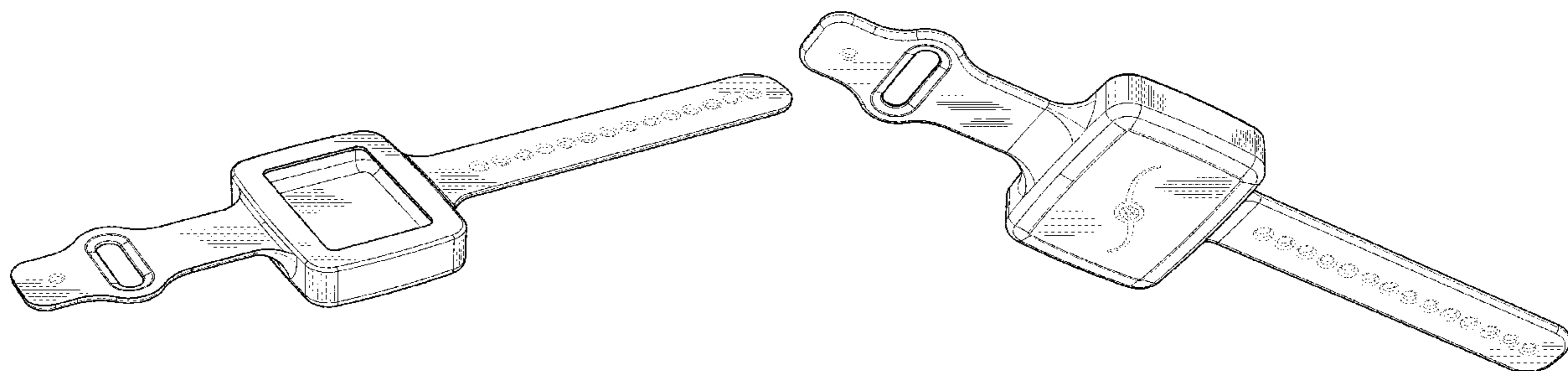


FIG. 1

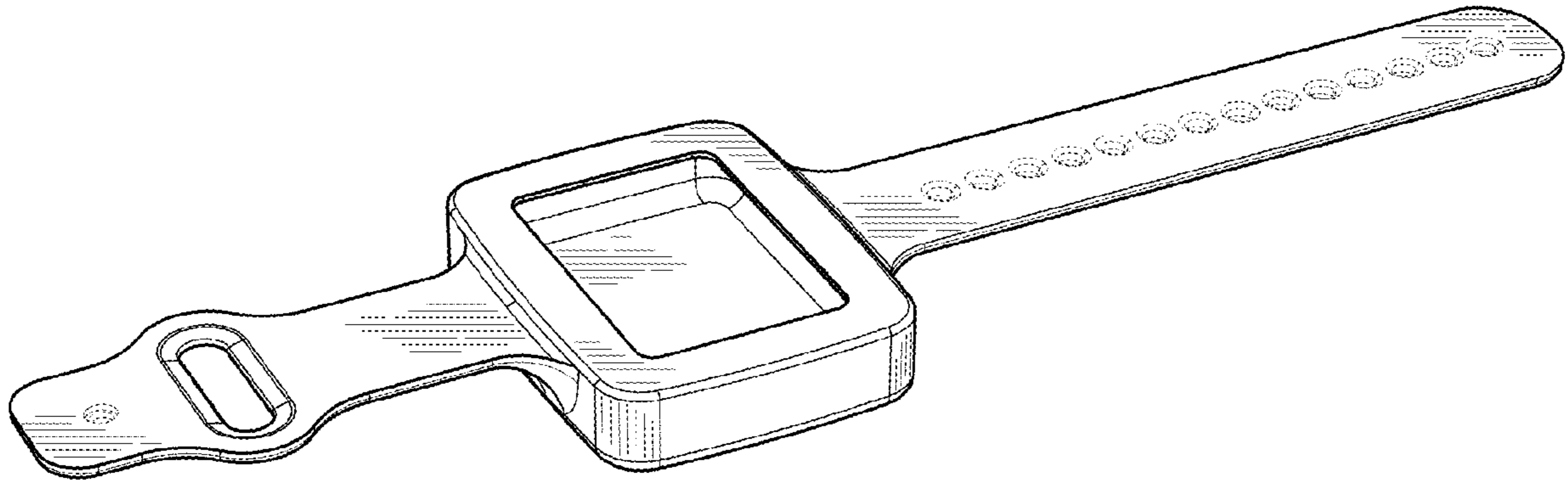


FIG. 2

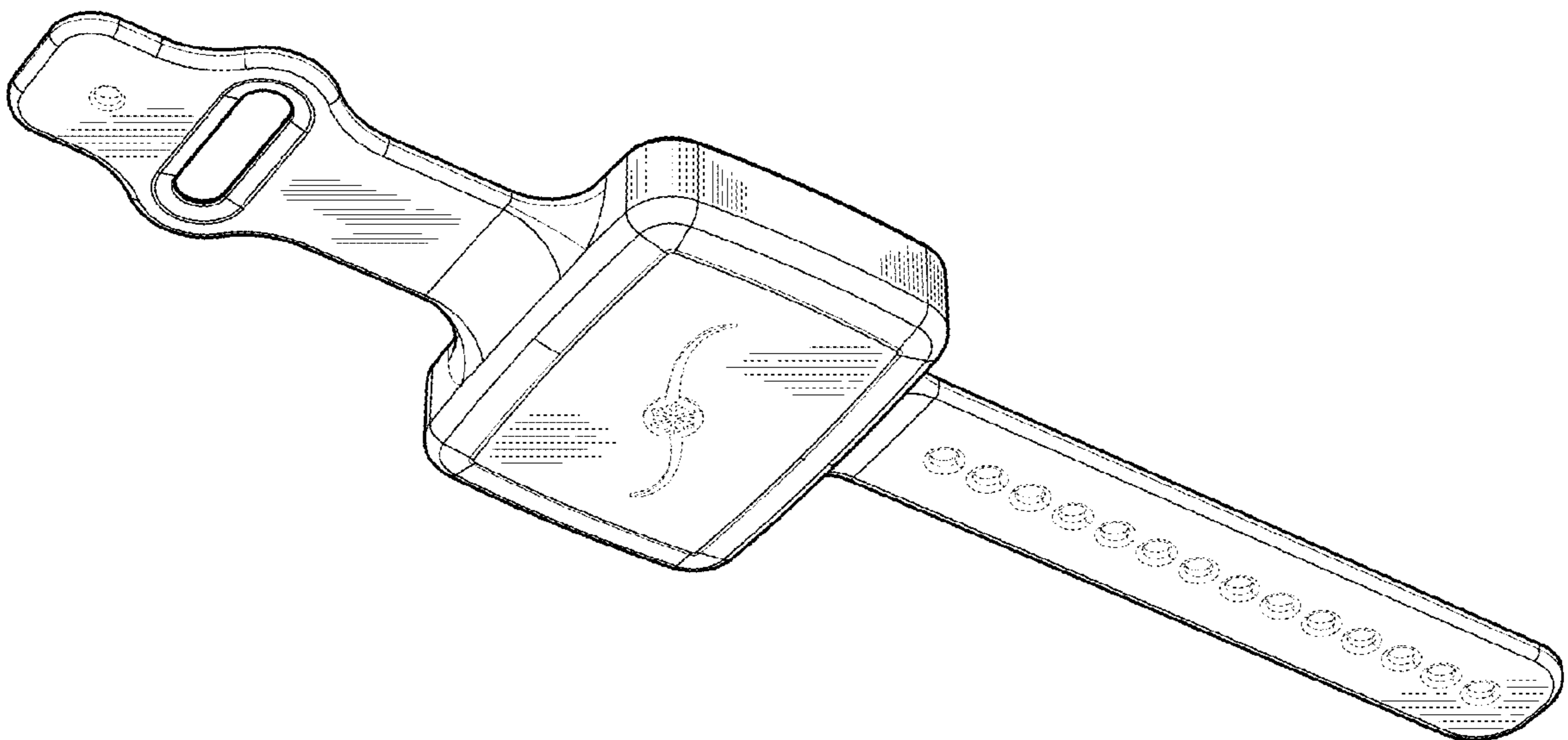


FIG. 3

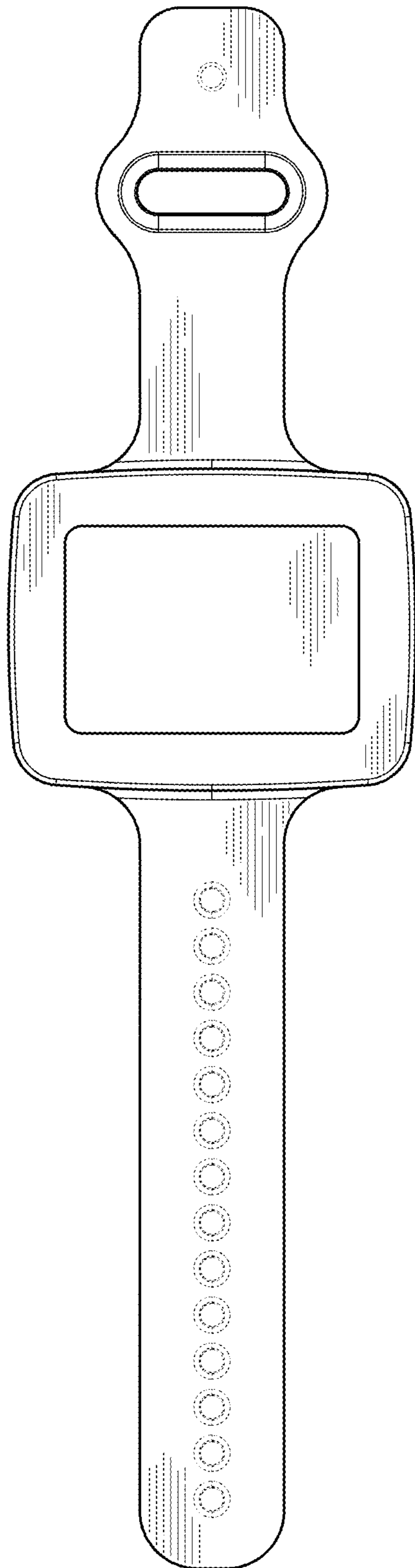


FIG. 4

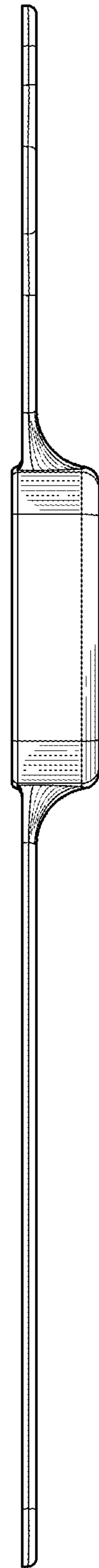


FIG. 5

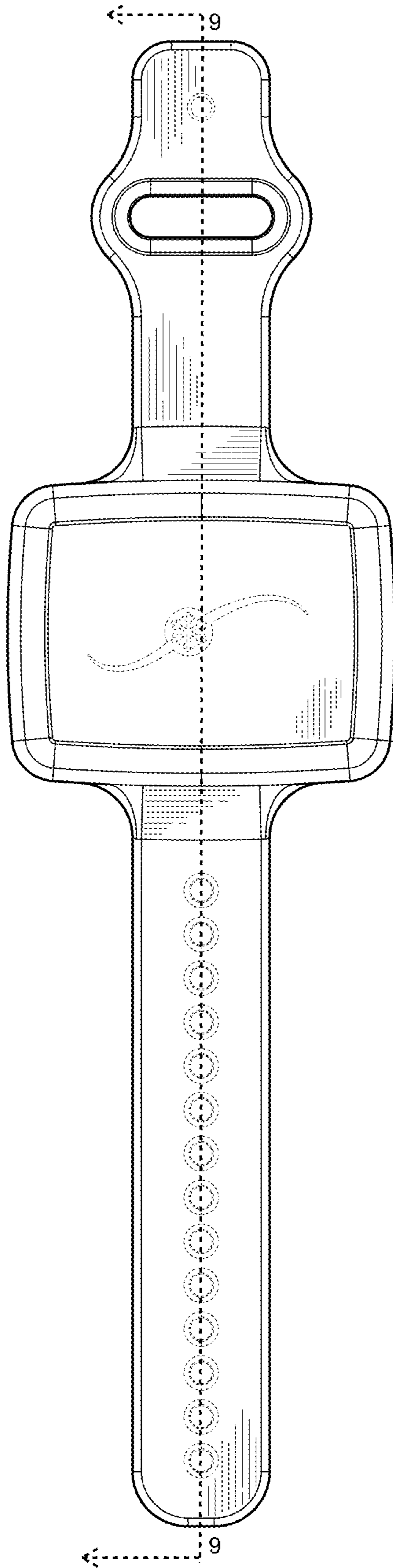


FIG. 6

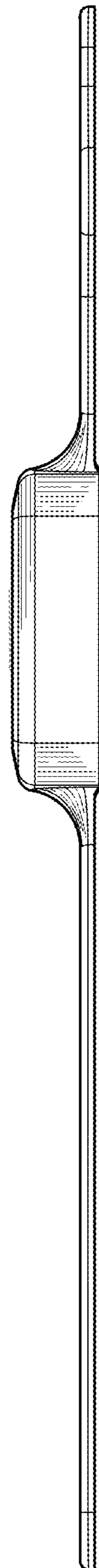


FIG. 7

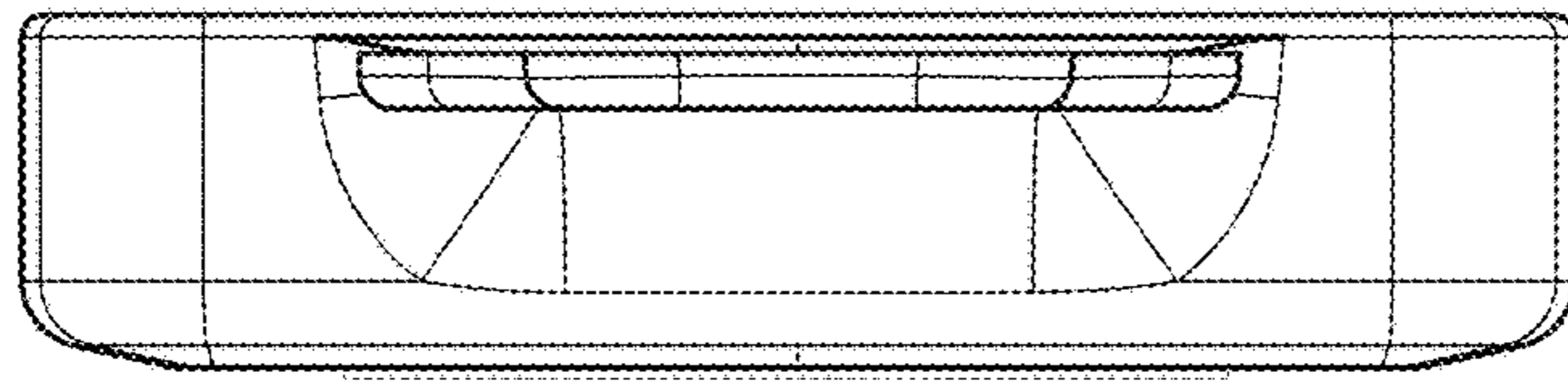


FIG. 8

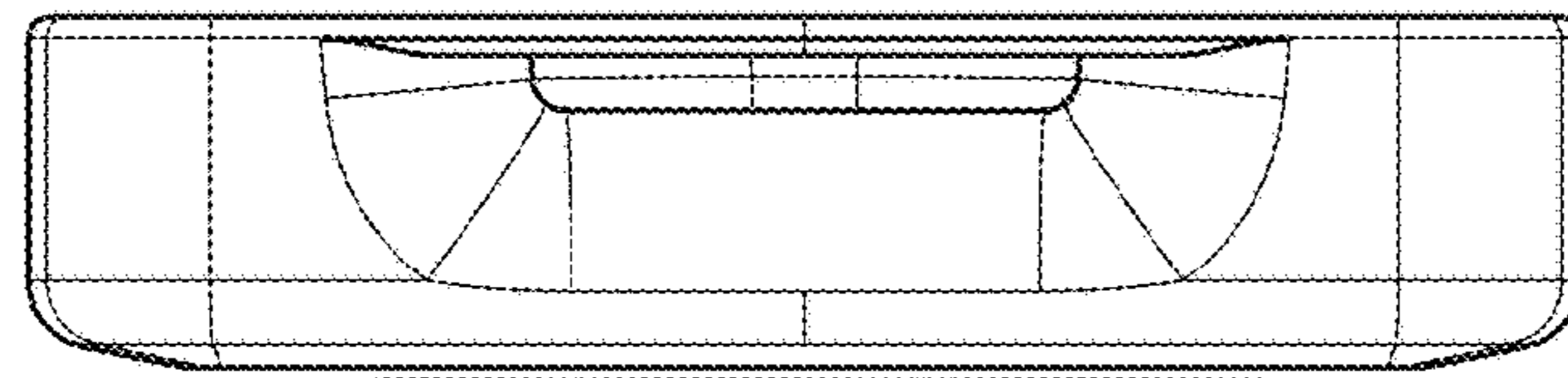


FIG. 9

