



US00D952874S

(12) **United States Design Patent**
Björkmann et al.

(10) **Patent No.:** **US D952,874 S**

(45) **Date of Patent:** **** May 24, 2022**

(54) **MEDICAL STIMULATION DEVICE**

(71) Applicant: **Sweet Tech, AS**, Oslo (NO)

(72) Inventors: **Alexander Björkmann**, Oslo (NO);
Jens Petter Wilhelmsen, Oslo (NO);
Nicolay Bang, Oslo (NO)

(**) Term: **15 Years**

(21) Appl. No.: **29/759,237**

(22) Filed: **Nov. 20, 2020**

Related U.S. Application Data

(62) Division of application No. 29/681,818, filed on Feb. 28, 2019, now abandoned.

(51) **LOC (13) Cl.** **28-03**

(52) **U.S. Cl.**
USPC **D24/200**; D24/215

(58) **Field of Classification Search**
USPC D24/191, 200, 201, 206, 207, 208,
D24/211–215
CPC A61H 1/00; A61H 2015/0007; A61H
2015/0014; A61H 2015/0042; A61H
15/00; A61H 11/00; A61H 21/00; A61H
37/00

See application file for complete search history.

(56) **References Cited**

U.S. PATENT DOCUMENTS

5,423,880	A	*	6/1995	Nyman	A61N 1/057 607/122
D411,306	S	*	6/1999	Lin	D24/214
D523,151	S	*	6/2006	Telford	D24/215
D523,152	S	*	6/2006	Telford	D24/215
D652,945	S	*	1/2012	Chen	D24/215
D688,795	S	*	8/2013	Matsuura	D24/121
D695,414	S	*	12/2013	Matsuura	D24/215
D698,450	S	*	1/2014	Kwon	D24/215
D716,464	S	*	10/2014	Kanbar	A61H 19/40 D24/215

D728,117	S	*	4/2015	Levine	D24/215
D736,398	S	*	8/2015	Kwon	D24/211
D736,401	S	*	8/2015	Matsuura	D24/215
D738,523	S	*	9/2015	Tong	D24/215
D770,055	S	*	10/2016	Sedic	D24/215
D792,979	S	*	7/2017	Ma	D24/215

(Continued)

FOREIGN PATENT DOCUMENTS

JP D1322078 * 2/2008

OTHER PUBLICATIONS

SweetTechHandy, [site visited Jul. 23, 2020]. Available from Internet. URL: <https://www.thehandy.com/product/pre-order-campaign-for-the-handy-end-april-delivery/> (Year: 2020).*

Primary Examiner — T Chase Nelson

Assistant Examiner — Kelly L Gross

(74) *Attorney, Agent, or Firm* — Kim Rubin Patent Agent

(57) **CLAIM**

The ornamental design for a medical stimulation device, as shown and described.

DESCRIPTION

FIG. 1 is a perspective view of the medical stimulation device;

FIG. 2 is a front view of the medical stimulation device;

FIG. 3 is a top view of the medical stimulation device;

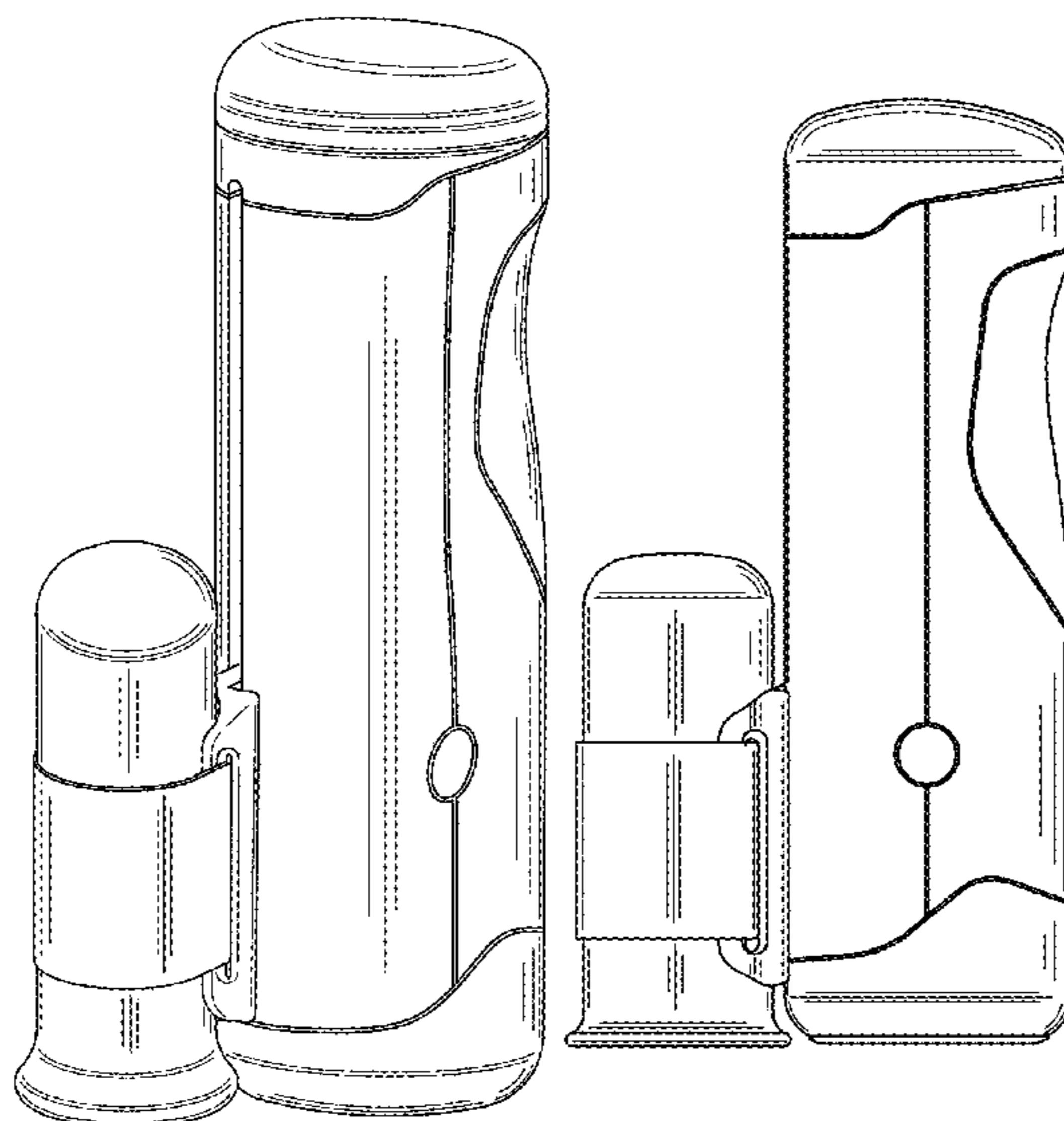
FIG. 4 is a bottom view of the medical stimulation device;

FIG. 5 is a side view of the medical stimulation device; and,

FIG. 6 is a back view of the medical stimulation device.

The broken lines illustrate portions of the medical stimulation device that form no part of the claimed design; the dot-dash broken lines in FIG. 2 are a boundary between the outer claimed surfaces and inner depth that forms no part of the claimed design.

1 Claim, 3 Drawing Sheets



(56)

References Cited

U.S. PATENT DOCUMENTS

D797,951 S * 9/2017 Miklavc D24/215
 D810,955 S * 2/2018 Miklavc D24/215
 D823,462 S * 7/2018 Okamura D24/121
 D837,996 S * 1/2019 Sugimoto D24/215
 D842,490 S * 3/2019 Gan D24/215
 D843,592 S * 3/2019 Tsuyama D24/215
 D853,557 S * 7/2019 Formica D24/128
 D853,572 S * 7/2019 Yi D24/200
 D868,988 S * 12/2019 Lieberman D28/44.1
 D869,566 S * 12/2019 Wong D21/468
 D879,988 S * 3/2020 Zhou D24/109
 D880,713 S * 4/2020 Sedic A61H 19/40
 D882,106 S * 4/2020 Qiu D24/215
 D882,812 S * 4/2020 Lee D24/107
 D883,508 S * 5/2020 Qiu D24/215
 D888,980 S * 6/2020 Tsuyama D24/211
 D890,947 S * 7/2020 Takahori D24/211
 D893,040 S * 8/2020 Qiu D24/215
 D893,041 S * 8/2020 Qiu D24/215
 D897,551 S * 9/2020 Nasta D24/211
 D898,210 S * 10/2020 Cheung D24/215
 D901,670 S * 11/2020 Tuononen D24/107

D902,420 S * 11/2020 Bjorkmann A61B 10/0058
 D24/211
 D902,421 S * 11/2020 Kim A61B 10/0045
 D24/211
 D902,427 S * 11/2020 Okamura A61H 23/02
 D24/215
 D903,094 S * 11/2020 Ghodsi A61N 1/057
 D24/108
 D903,138 S * 11/2020 Feng D24/215
 D903,852 S * 12/2020 Inoue D24/107
 D905,230 S * 12/2020 Chang D24/109
 D905,907 S * 12/2020 Ragbir D28/44.1
 D918,266 S * 5/2021 Weil D15/5
 D919,829 S * 5/2021 Busnel D24/215
 D924,423 S * 7/2021 Luo D24/215
 D924,424 S * 7/2021 Wang D24/215
 D927,711 S * 8/2021 Guerizec D24/211
 D927,782 S * 8/2021 Mehta D28/51
 2008/0004577 A1 * 1/2008 Matsuura A61B 10/0058
 604/317
 2008/0065033 A1 * 3/2008 Matsuura A61B 10/0045
 604/349
 2014/0378759 A1 * 12/2014 Fang A61H 23/02
 600/38
 2017/0071818 A1 * 3/2017 Chen A61H 19/32

* cited by examiner

FIG. 1

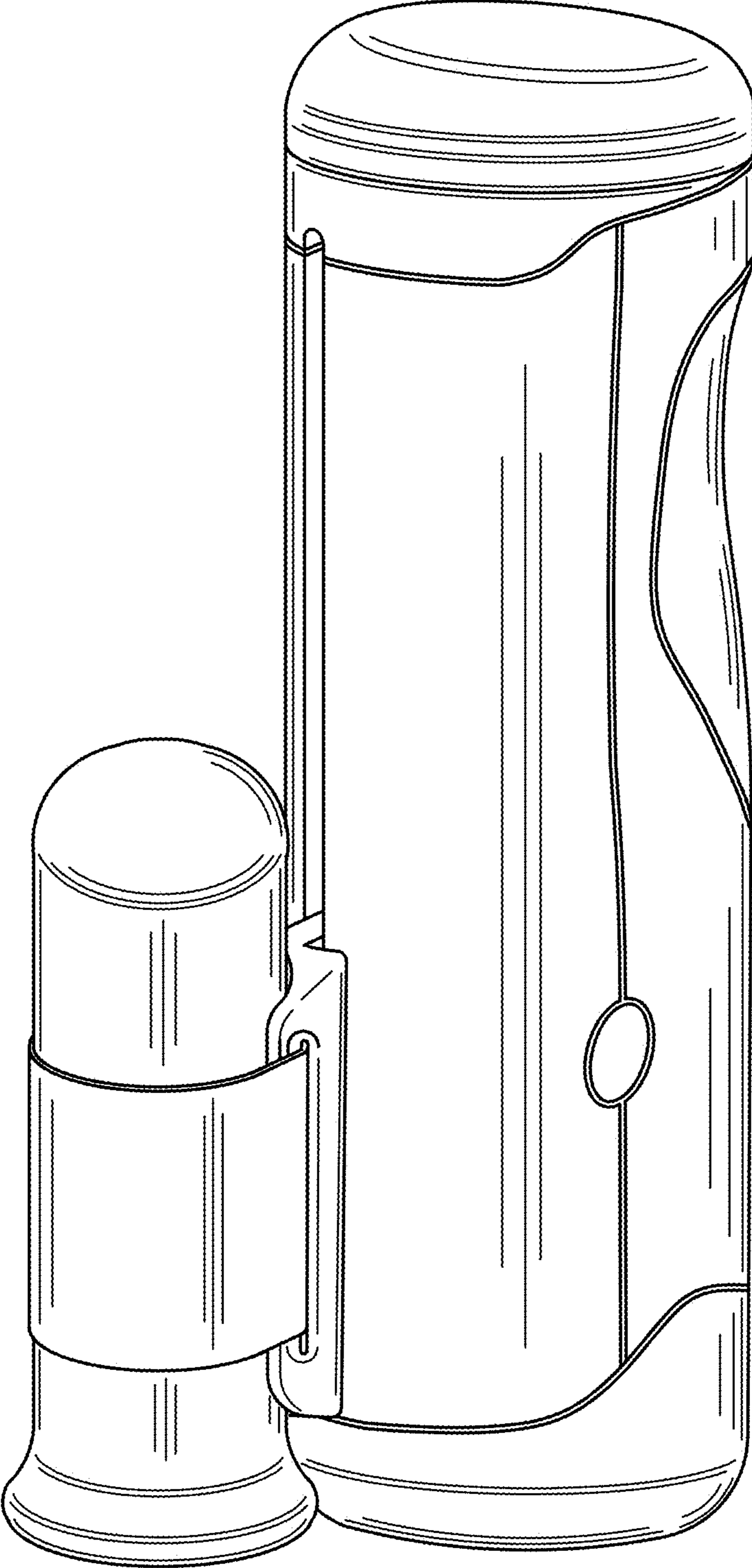


FIG. 2

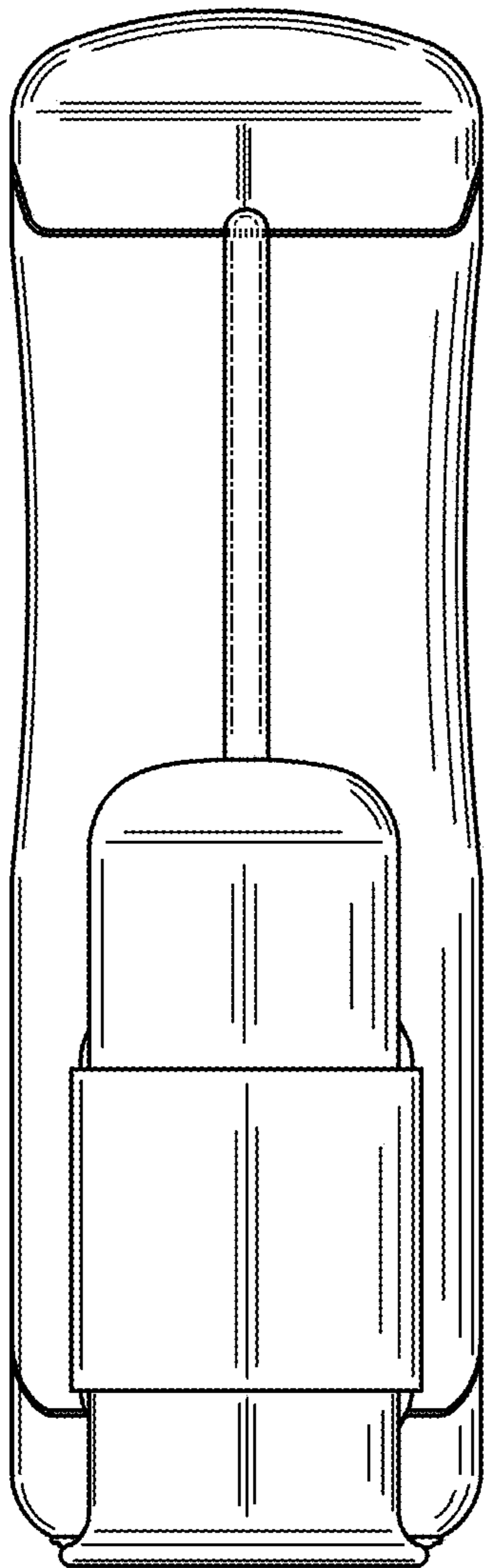


FIG. 3

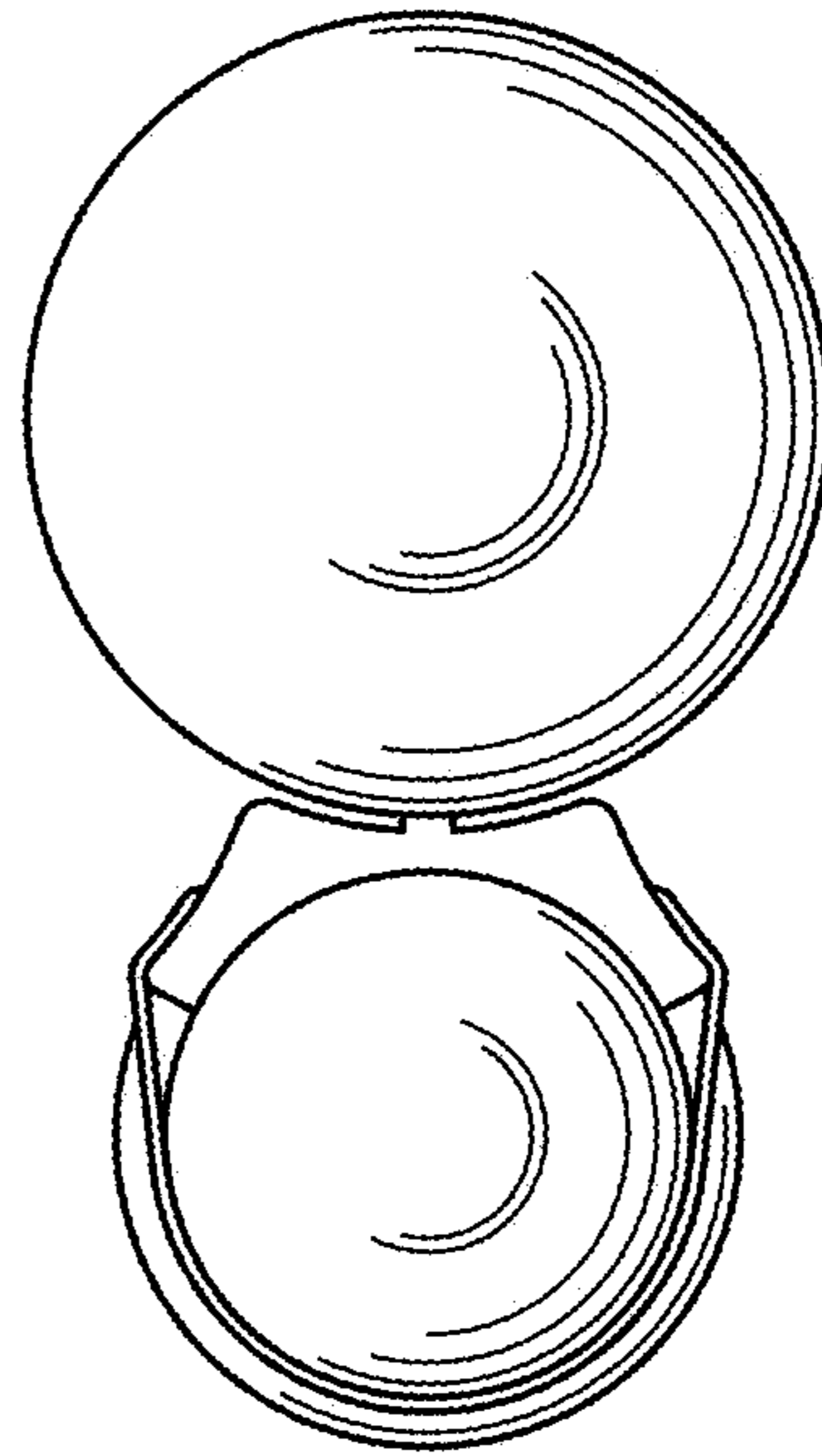


FIG. 4

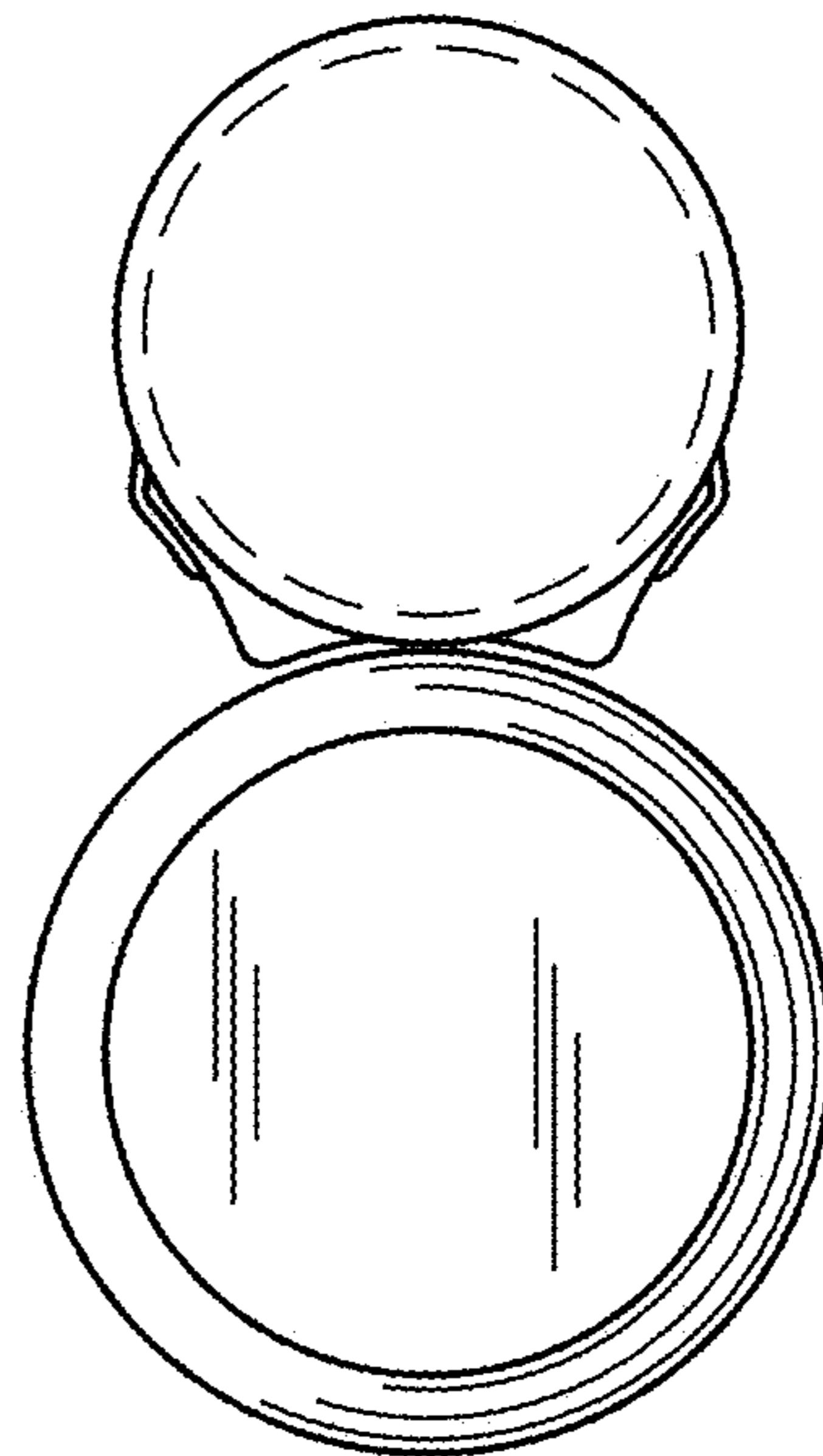


FIG. 5

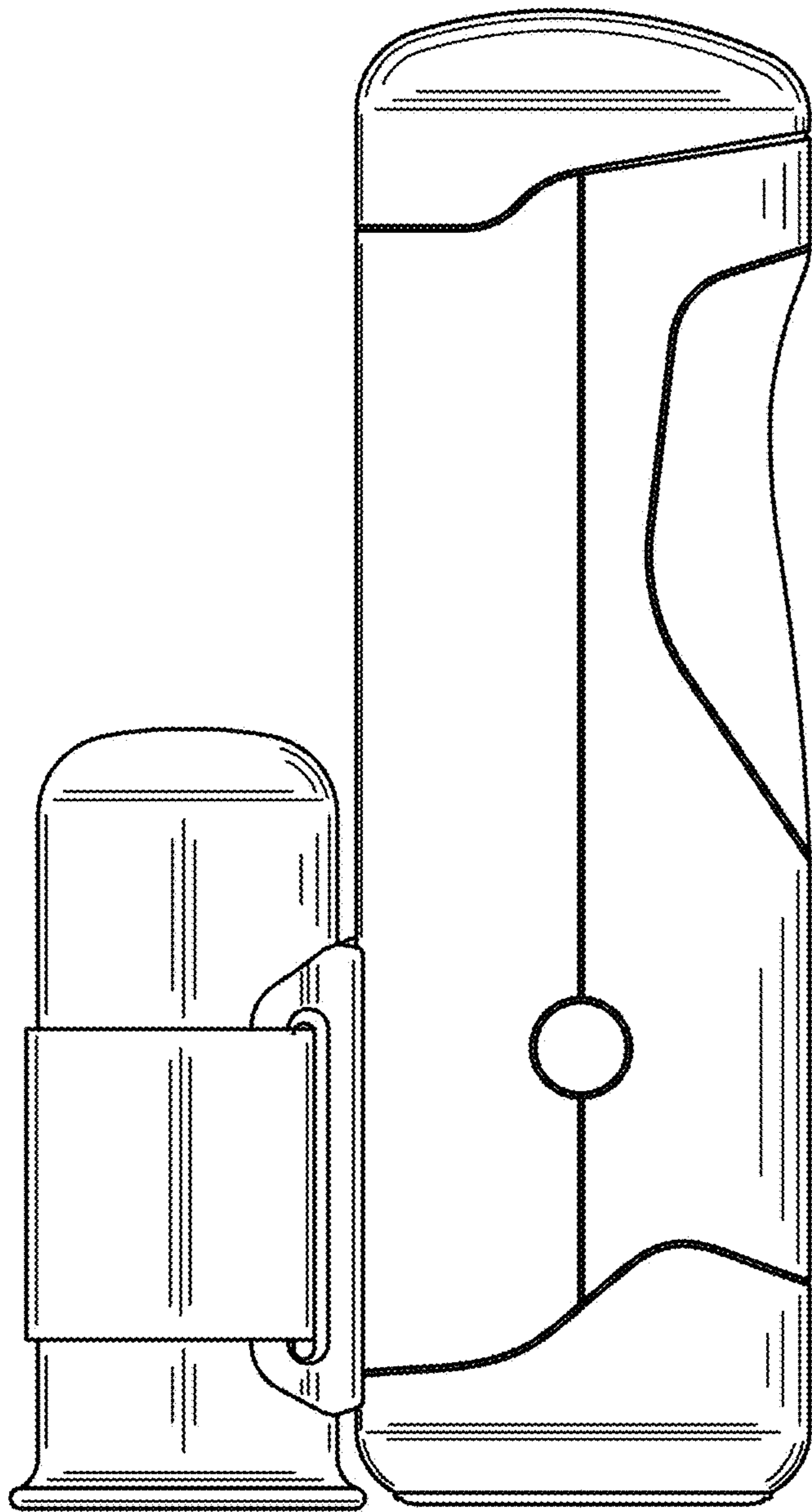


FIG. 6

