



US00D952873S

(12) **United States Design Patent**  
**Park**

(10) **Patent No.:** **US D952,873 S**

(45) **Date of Patent:** **\*\* May 24, 2022**

(54) **PACIFIER CASE**

(71) Applicant: **Seon-mi Park**, Namyangjoo-si (KR)

(72) Inventor: **Seon-mi Park**, Namyangjoo-si (KR)

(\*\*) Term: **15 Years**

(21) Appl. No.: **29/749,649**

(22) Filed: **Sep. 8, 2020**

(30) **Foreign Application Priority Data**

Apr. 14, 2020 (KR) ..... 30-2020-0016594

(51) **LOC (13) Cl.** ..... **24-04**

(52) **U.S. Cl.**  
USPC ..... **D24/195**

(58) **Field of Classification Search**  
USPC ..... D24/193, 194, 195, 196, 197, 199;  
D30/160; D21/625, 627, 659; D7/392.1;  
D9/442

CPC ..... A61J 17/13; A61J 17/111  
See application file for complete search history.

(56) **References Cited**

**U.S. PATENT DOCUMENTS**

4,417,613	A *	11/1983	Ryan	.....	A61J 17/113
					215/11.6
4,493,324	A *	1/1985	Johnston	.....	A61J 17/113
					606/236
D356,871	S *	3/1995	Dunn	.....	D24/197
D359,123	S *	6/1995	Perrine	.....	D24/195
D366,936	S *	2/1996	Young	.....	D24/197
D426,639	S *	6/2000	McGrath-Ferraioli	.....	D24/197
D469,177	S *	1/2003	Rohrig	.....	A61J 17/113
					D24/124
D581,540	S *	11/2008	Nielsen	.....	D24/194
D596,302	S *	7/2009	Kliegman	.....	D24/194
D681,460	S *	5/2013	Kim	.....	D9/443
D755,400	S *	5/2016	Melvin	.....	D24/195
D906,811	S *	1/2021	Mandell	.....	D9/453
2009/0134112	A1 *	5/2009	Reeves	.....	B65D 55/16
					215/11.6

**OTHER PUBLICATIONS**

“Fromise Smile/Heart Silicone Pacifier and Case”. Found on Dec. 29, 2021 at amazon.com. Reference dated Jan. 15, 2021. Retrieved from <https://www.amazon.com/Silicone-Pacifiers-Pacifier-Cashmere-Individual/dp/B08NQ2CRDJ?th=1>.\*

“KitchenDance: Mini Heart-Shaped Cake Pans”. Found online Dec. 29, 2021 at amazon.com. Reference dated Oct. 12, 2017. Retrieved from <https://www.amazon.com/KitchenDance-Disposable-Aluminum-Shaped-Dessert/dp/B076DJHK27?th=1>.\*

“Joovy: Airnoogie Pacifier and Case”. Found online Dec. 29, 2021 at amazon.sg. Reference dated Feb. 13, 2017. Retrieved from <https://www.amazon.sg/JOOVY-Airnoogie-Pacifier-Turquoise-Medium/dp/B06XMQGT87>.\*

\* cited by examiner

*Primary Examiner* — Kendra Leslie Hamilton

(74) *Attorney, Agent, or Firm* — Sughrue Mion, PLLC

(57) **CLAIM**

The ornamental design for a pacifier case, as shown and described.

**DESCRIPTION**

FIG. 1 is a front, top, left perspective view of a pacifier case, showing my new design;

FIG. 2 is a front elevation view thereof;

FIG. 3 is a rear elevation view thereof;

FIG. 4 is a left side elevation view thereof, wherein the right side elevation view is a mirror image thereof;

FIG. 5 is a top plan view thereof;

FIG. 6 is a bottom view thereof;

FIG. 7 is a cross-sectional elevation view of the pacifier case of FIG. 1, taken in the direction of line 7-7 of FIG. 5; and, FIG. 8 is a front, top, left perspective view of the pacifier case of FIG. 1, shown in a condition of use.

The broken lines in the drawing figures depict unclaimed environment and form no part of the claimed design.

**1 Claim, 8 Drawing Sheets**

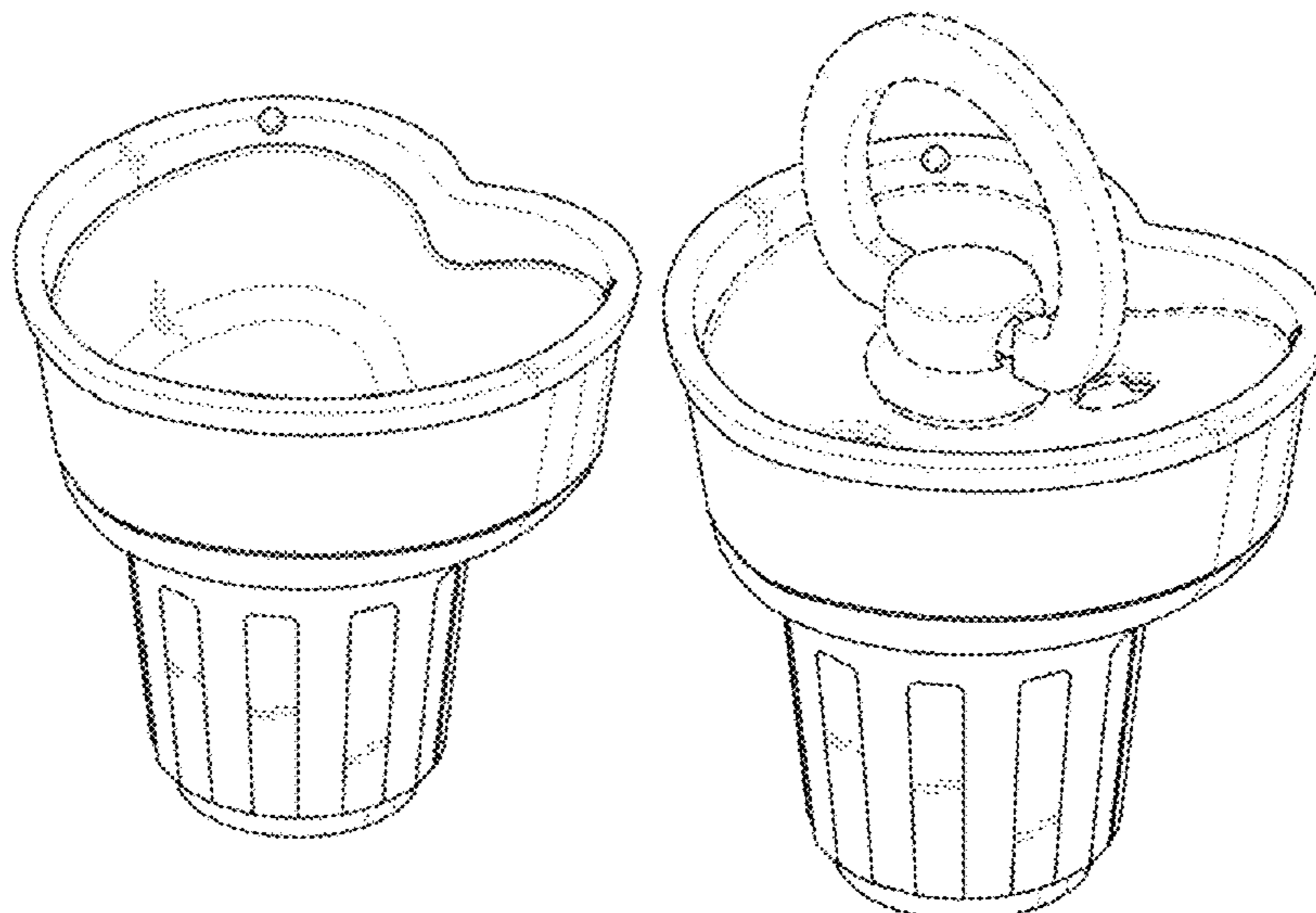


FIG. 1

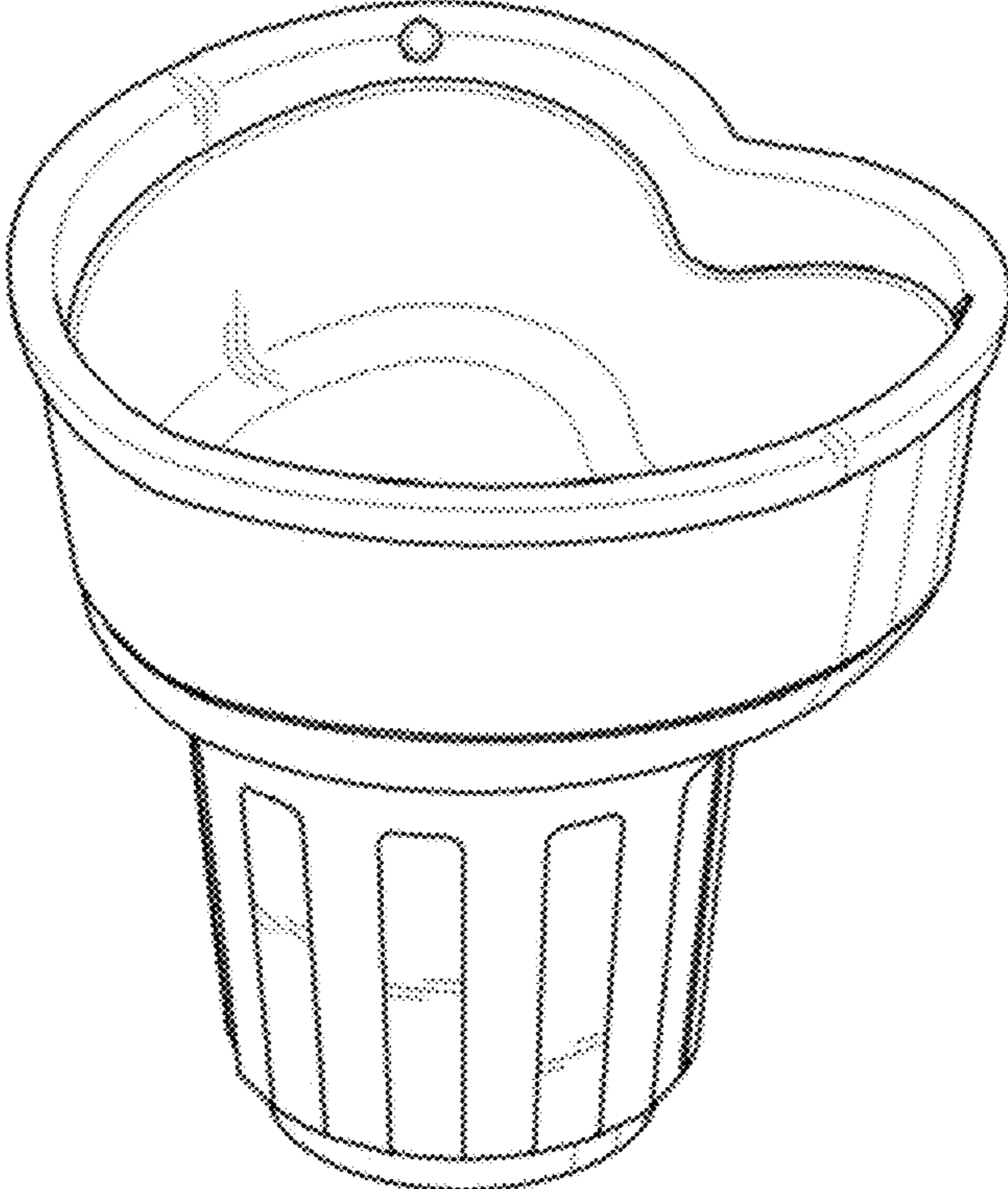


FIG. 2

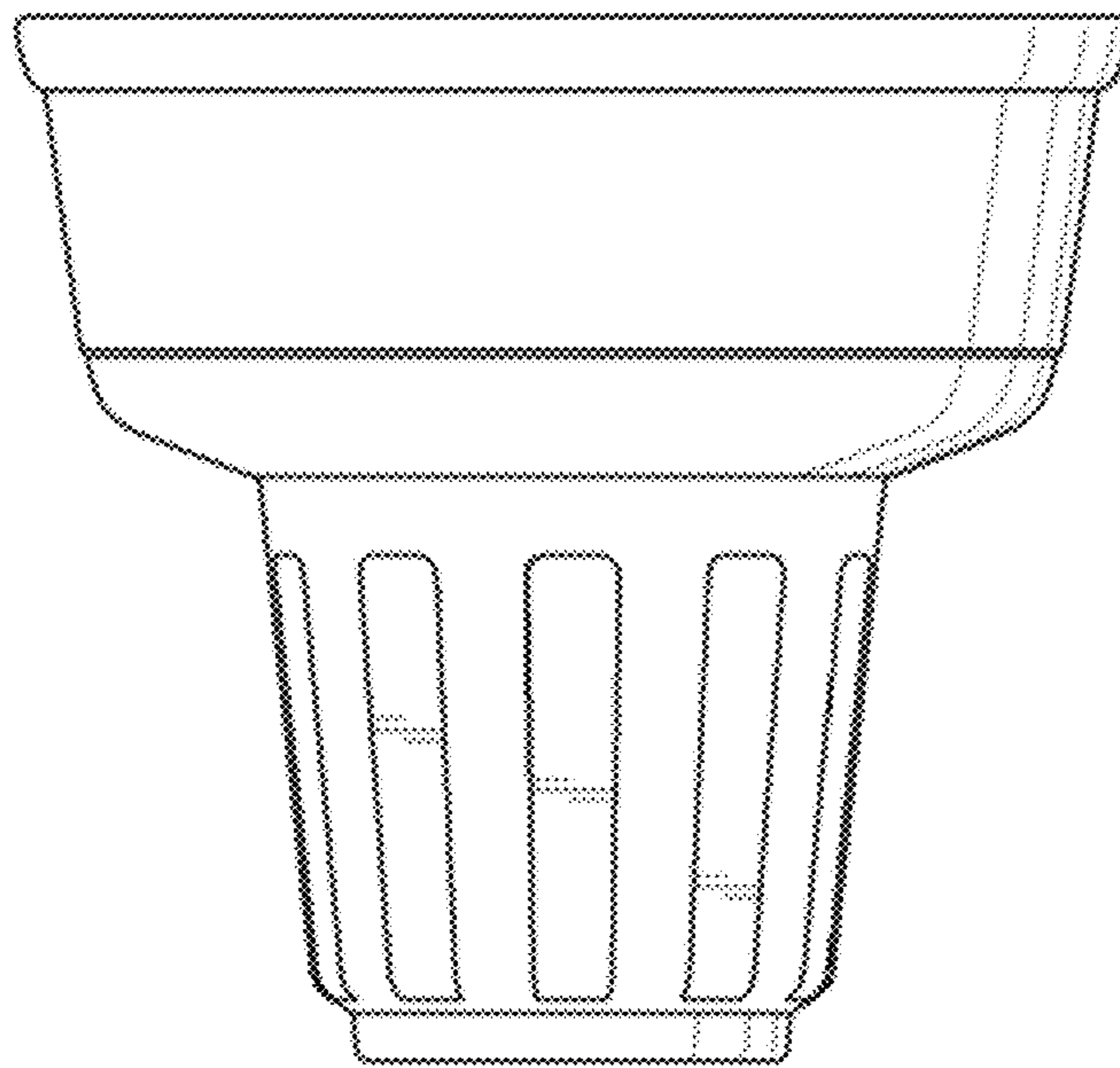


FIG. 3

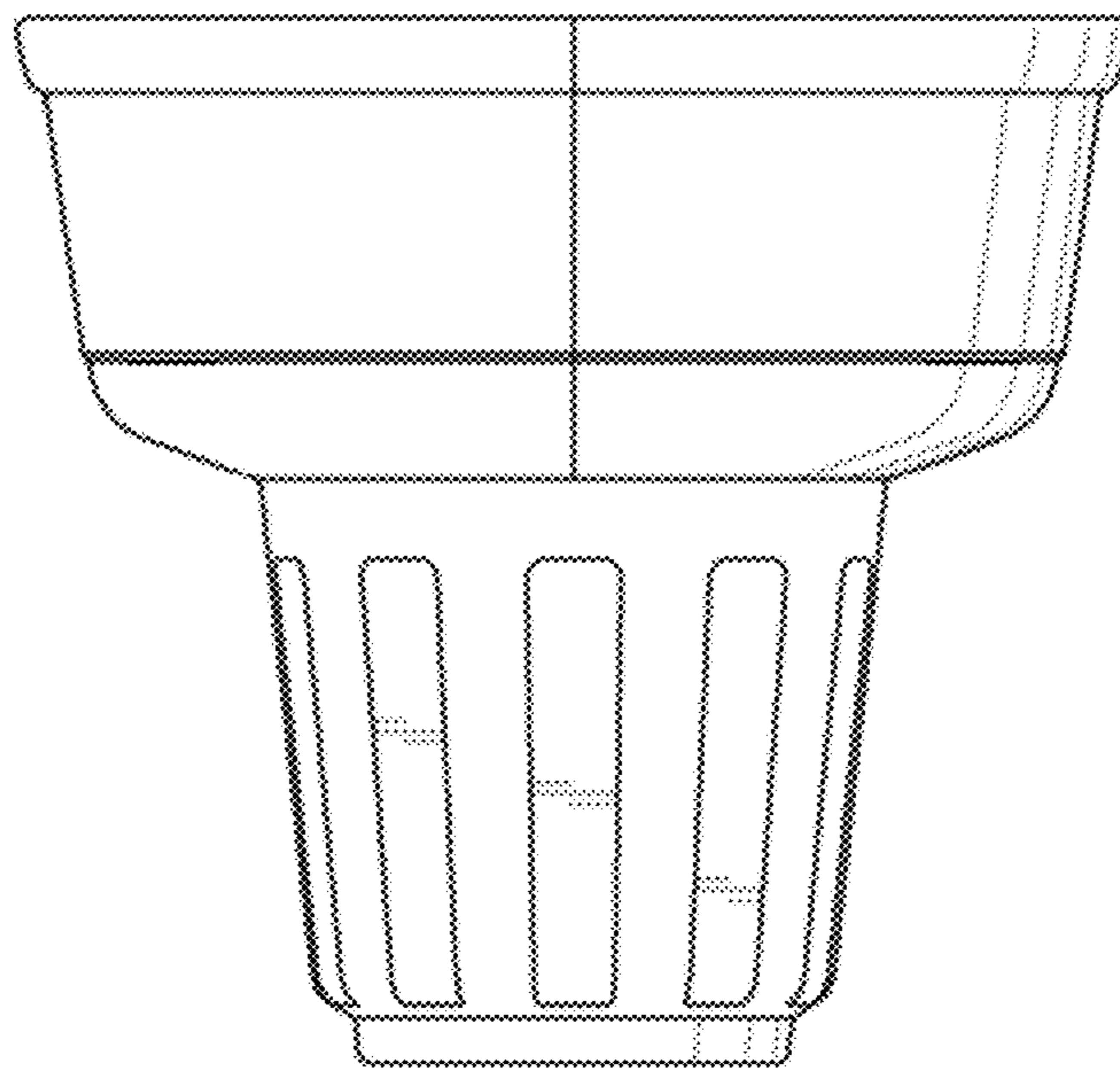


FIG. 4

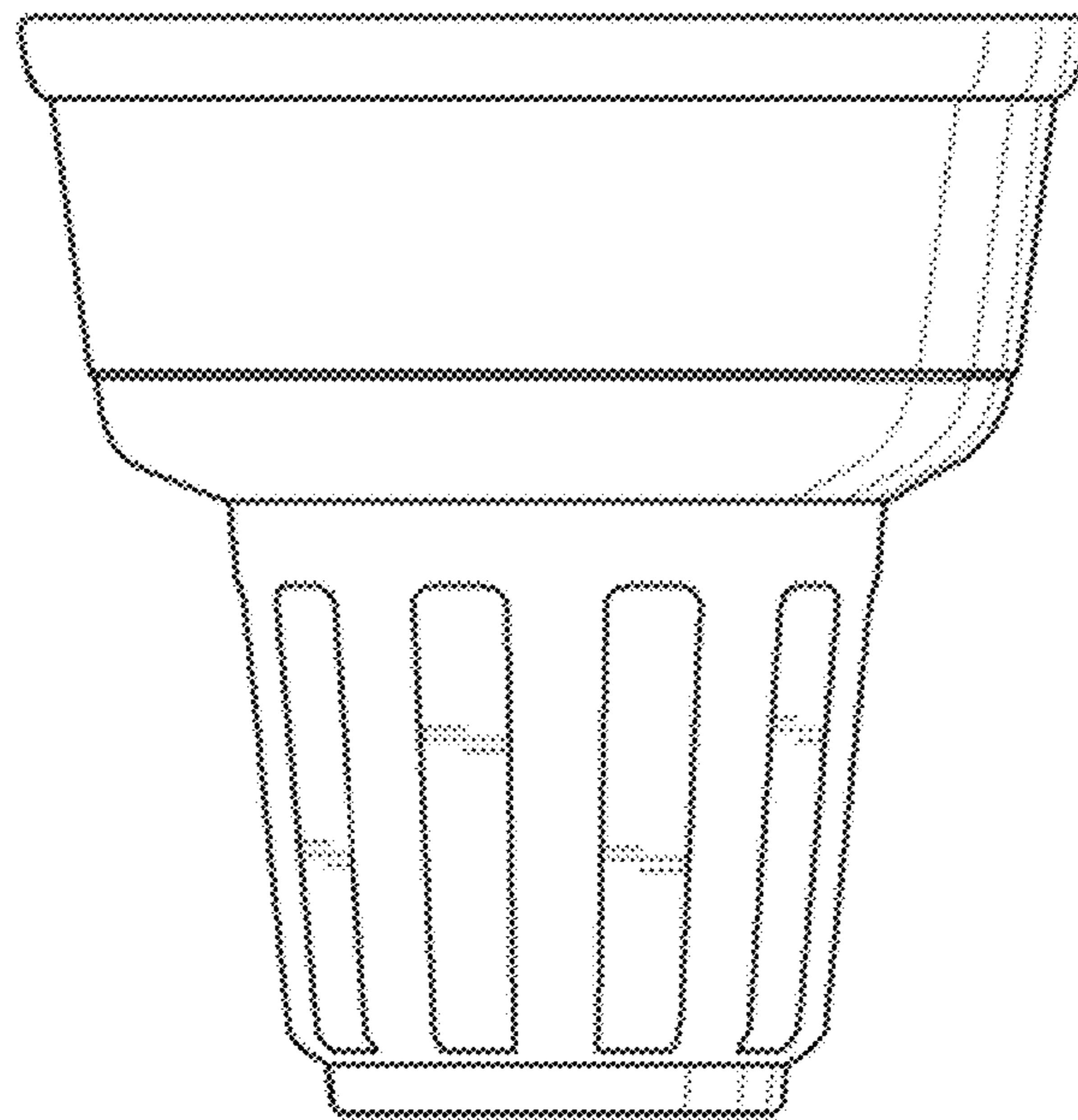




FIG. 5

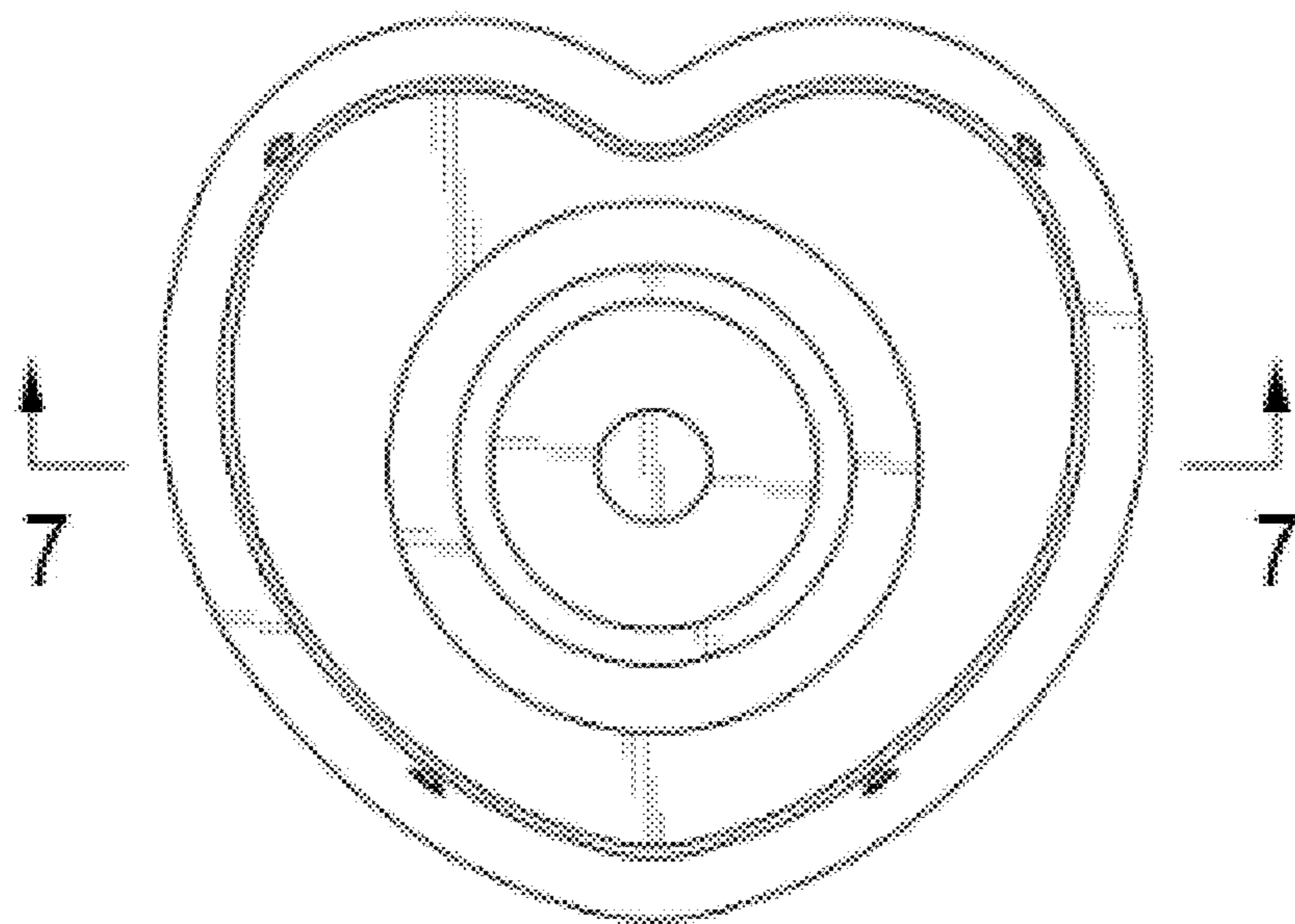


FIG. 6

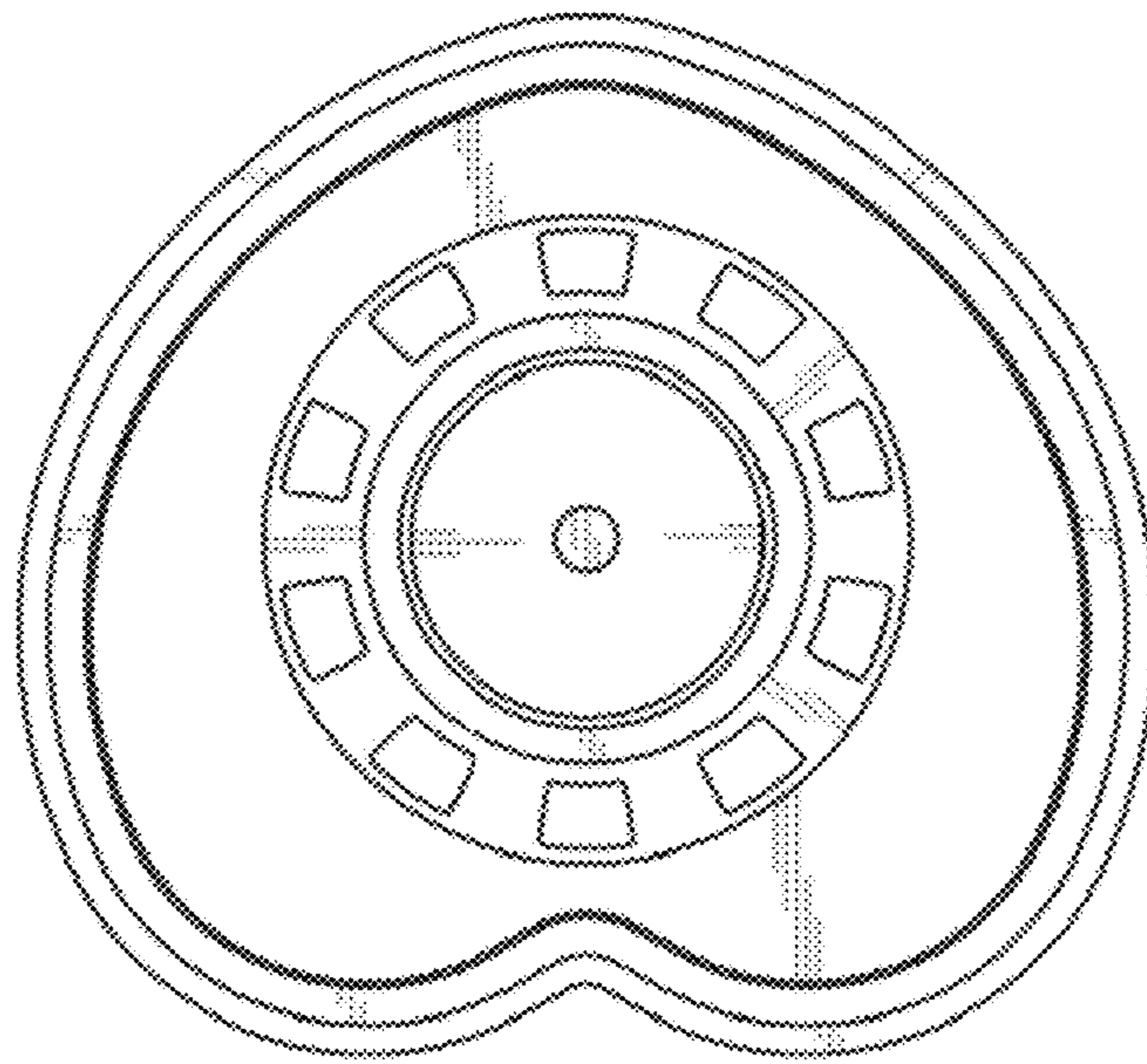


FIG. 7

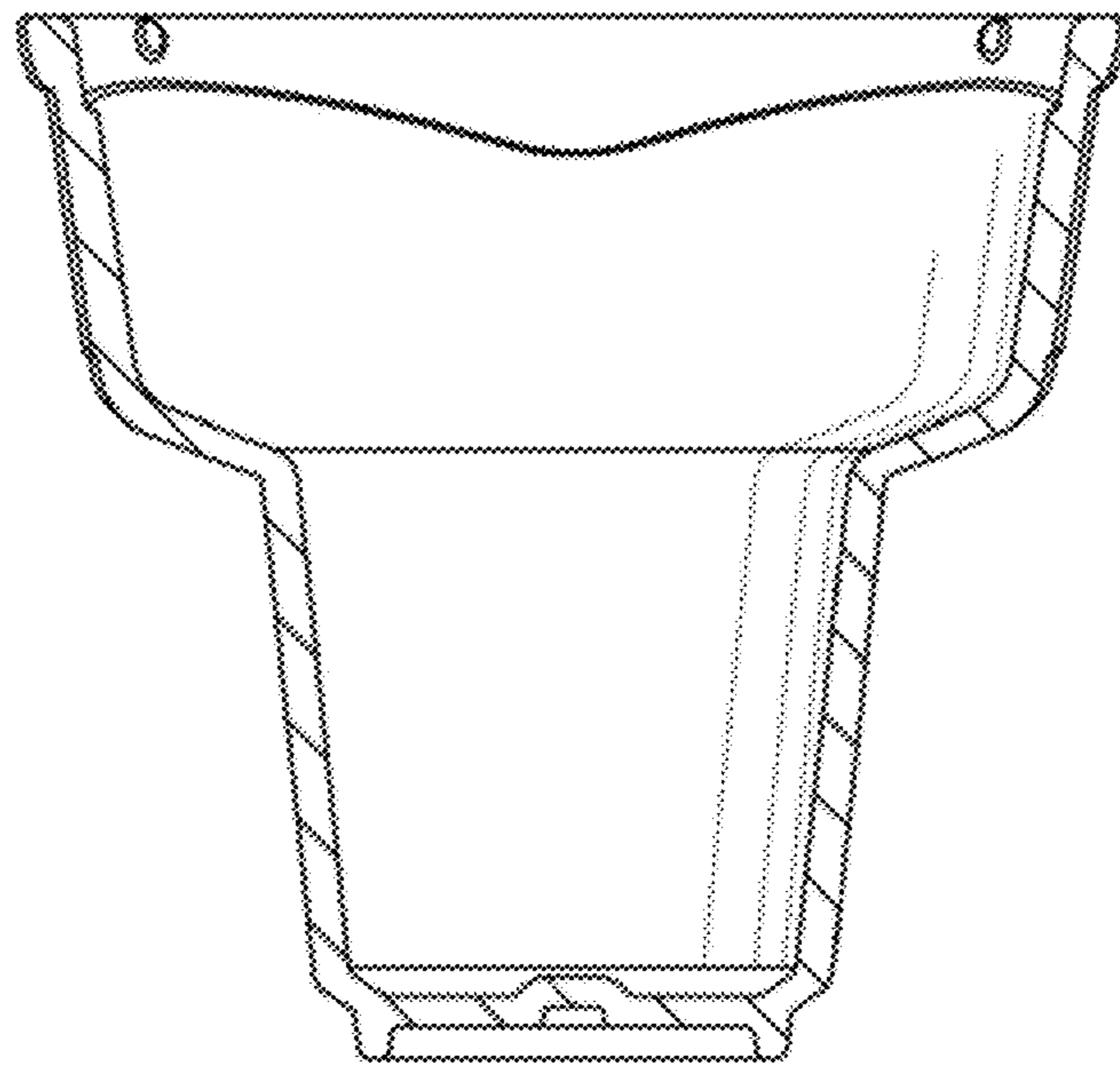




FIG. 8

