

US00D952872S

(12) **United States Design Patent** (10) **Patent No.:** **US D952,872 S**  
**Park** (45) **Date of Patent:** **\*\* May 24, 2022**

- (54) **PACIFIER**
- (71) Applicant: **Seon-Mi Park**, Namyangjoo-si (KR)
- (72) Inventor: **Seon-Mi Park**, Namyangjoo-si (KR)
- (\*\*) Term: **15 Years**
- (21) Appl. No.: **29/748,385**
- (22) Filed: **Aug. 28, 2020**
- (51) **LOC (13) Cl.** ..... **24-04**
- (52) **U.S. Cl.**  
USPC ..... **D24/195**
- (58) **Field of Classification Search**  
USPC ..... D24/115, 117, 193, 194, 195, 196, 214;  
D30/160; D21/496, 576, 622, 625, 627,  
D21/628, 650, 659  
CPC ..... A61J 17/001; A61J 17/02  
See application file for complete search history.

(56) **References Cited**

**U.S. PATENT DOCUMENTS**

4,193,407	A *	3/1980	Edmark	.....	A61J 17/001 606/234
D273,991	S *	5/1984	Moore	.....	D24/194
D299,064	S *	12/1988	Berndt	.....	D24/195
D303,839	S *	10/1989	Fitzpatrick	.....	D24/194
D338,274	S *	8/1993	Chuang	.....	D24/194
D359,123	S *	6/1995	Perrine	.....	D24/194
D477,411	S *	7/2003	Kroepel	.....	D24/194
D655,015	S *	2/2012	Castro Barreras	.....	D24/194
D679,022	S *	3/2013	Feinberg	.....	D24/194
9,770,394	B1 *	9/2017	Velazquez	.....	A61J 17/109
D862,714	S *	10/2019	Eaton	.....	D24/194
D907,786	S *	1/2021	Khersonenko	.....	D24/195
2019/0290548	A1 *	9/2019	Evans	.....	A61J 17/02

**OTHER PUBLICATIONS**

“Fromise: Silicone Baby Pacifier Smile/Heart”. Found online Sep. 29, 2021 at amazon.com. Reference dated Jan. 14, 2021. Retrieved

from <https://www.amazon.com/Fromise-Silicone-Pacifier-Cashmere-Individual/dp/B08NQ1W4R1/>.  
\*  
“Philips Avent: Notched Newborn Pacifier”. Found online Sep. 29, 2021 at amazon.co.uk. Reference dated Nov. 23, 2016. Retrieved from <https://www.amazon.co.uk/Philips-Notched-Newborn-Pacifier-Hospital/dp/B01GK58ME4/>.  
\*  
“Frigg: Daisy Silicone Pacifer”. Found online Aug. 20, 2021 at amazon.com. Reference dated Apr. 21, 2021. Retrieved from [https://www.amazon.com/-/es/FRIGG-Daisy-silicona-fabricado-Dinamarca/dp/B0921K7VS8/ref=cm\\_cr\\_arp\\_d\\_product\\_top?ie=UTF8](https://www.amazon.com/-/es/FRIGG-Daisy-silicona-fabricado-Dinamarca/dp/B0921K7VS8/ref=cm_cr_arp_d_product_top?ie=UTF8).  
\*  
“T & L Trading Corp: My Baby Soother”. Found online Dec. 6, 2016 at cpsc.gov. Reference dated Oct. 26, 2009. Retrieved from <https://www.cpsc.gov/Recalls/2010/CPSC-Urges-Parents-and-Caregivers-to-Stop-Using-My-Baby-Soothers-Pacifiers-Due-to-Choking-Hazard>.  
\*

\* cited by examiner

*Primary Examiner* — Kendra Leslie Hamilton  
(74) *Attorney, Agent, or Firm* — Sughrue Mion, PLLC

(57) **CLAIM**

The ornamental design for a pacifier, as shown and described.

**DESCRIPTION**

FIG. 1 is a front, top, right perspective view of a pacifier, showing my new design;  
FIG. 2 is a front elevation view thereof;  
FIG. 3 is a rear elevation view thereof;  
FIG. 4 is a left side elevation view thereof, wherein the right side elevation view is a mirror image thereof;  
FIG. 5 is a top plan view thereof; and,  
FIG. 6 is a bottom plan view thereof.

The equal-length broken lines in the drawings depict portions of the pacifier that form no part of the claimed design.

**1 Claim, 6 Drawing Sheets**

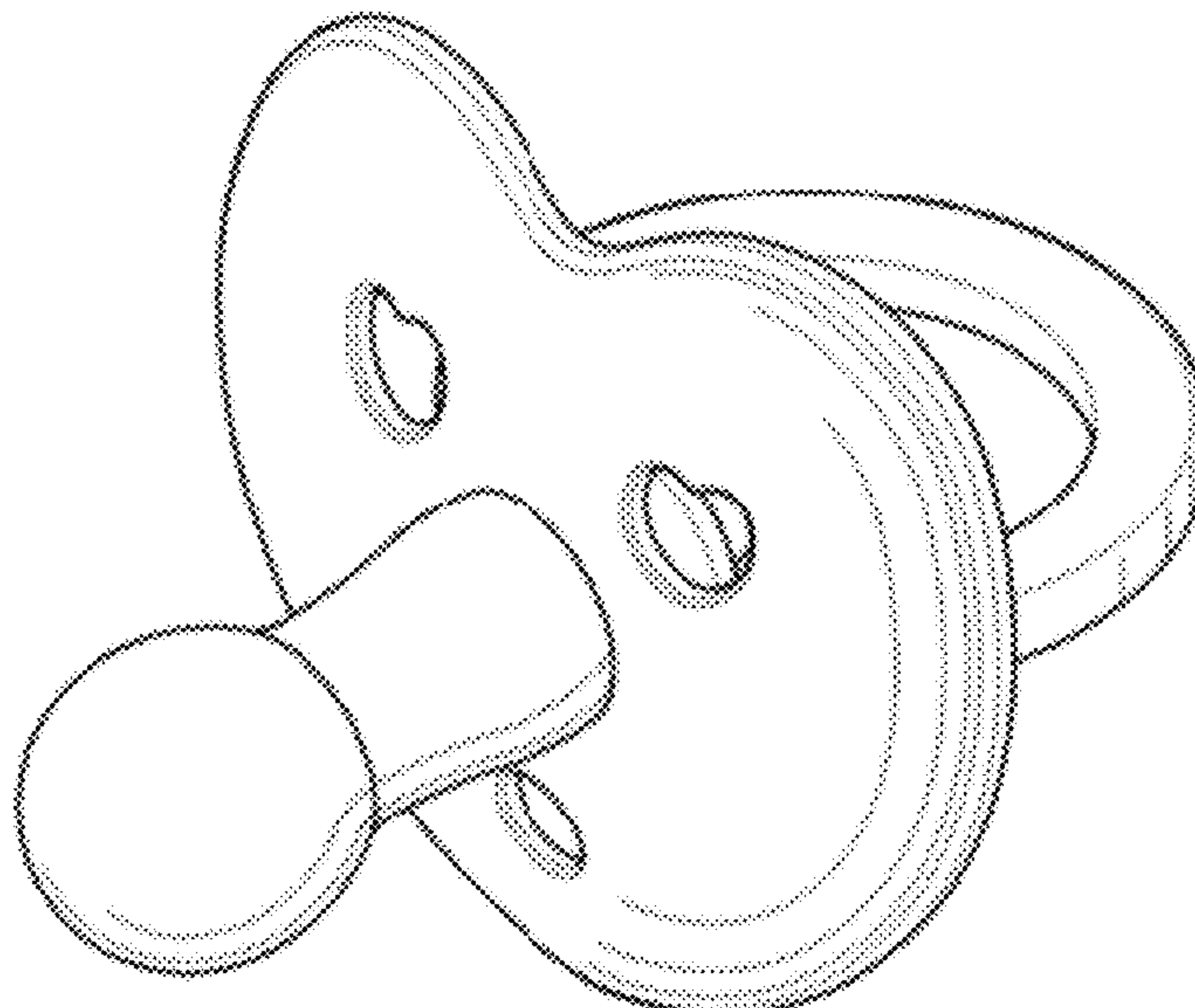


FIG. 1

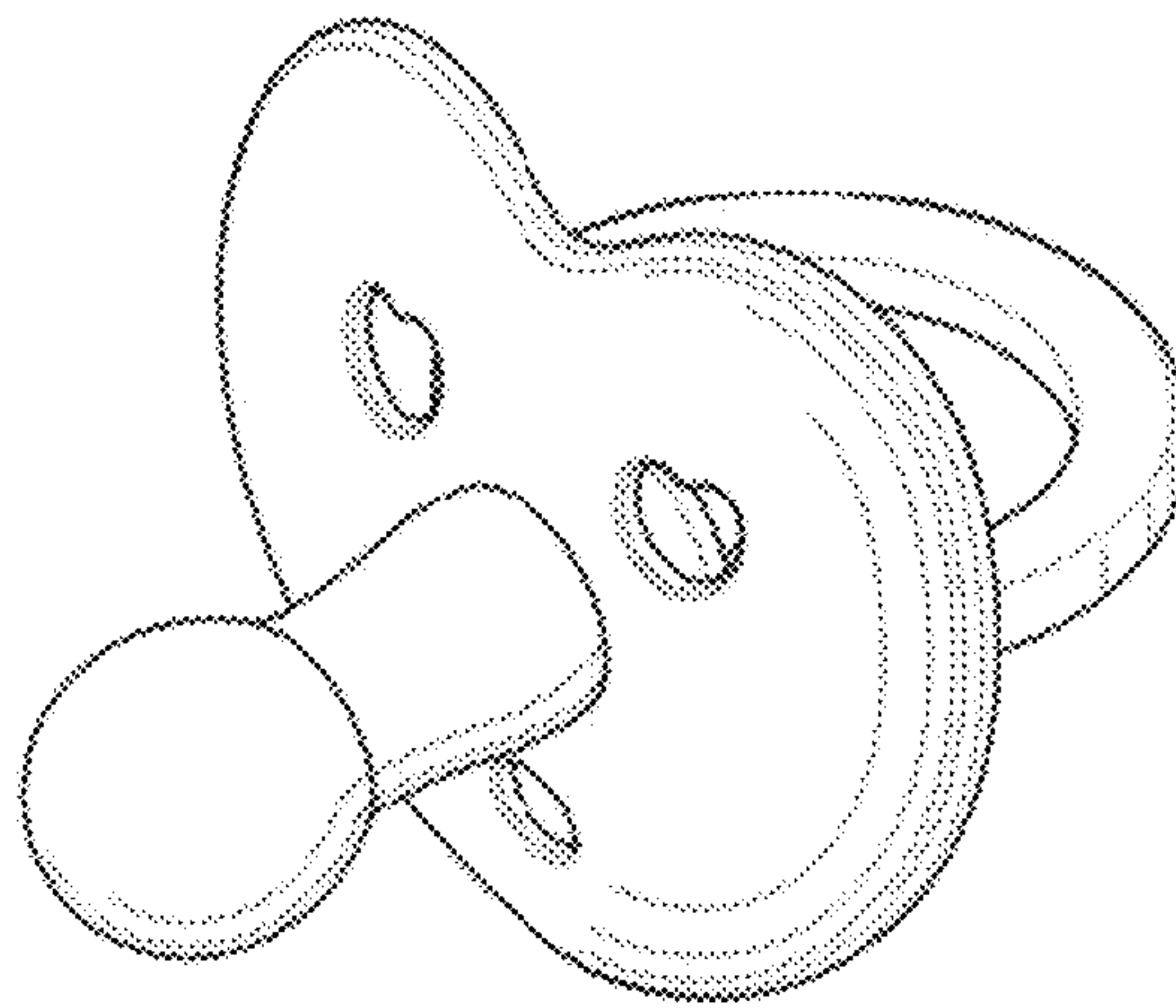


FIG. 2

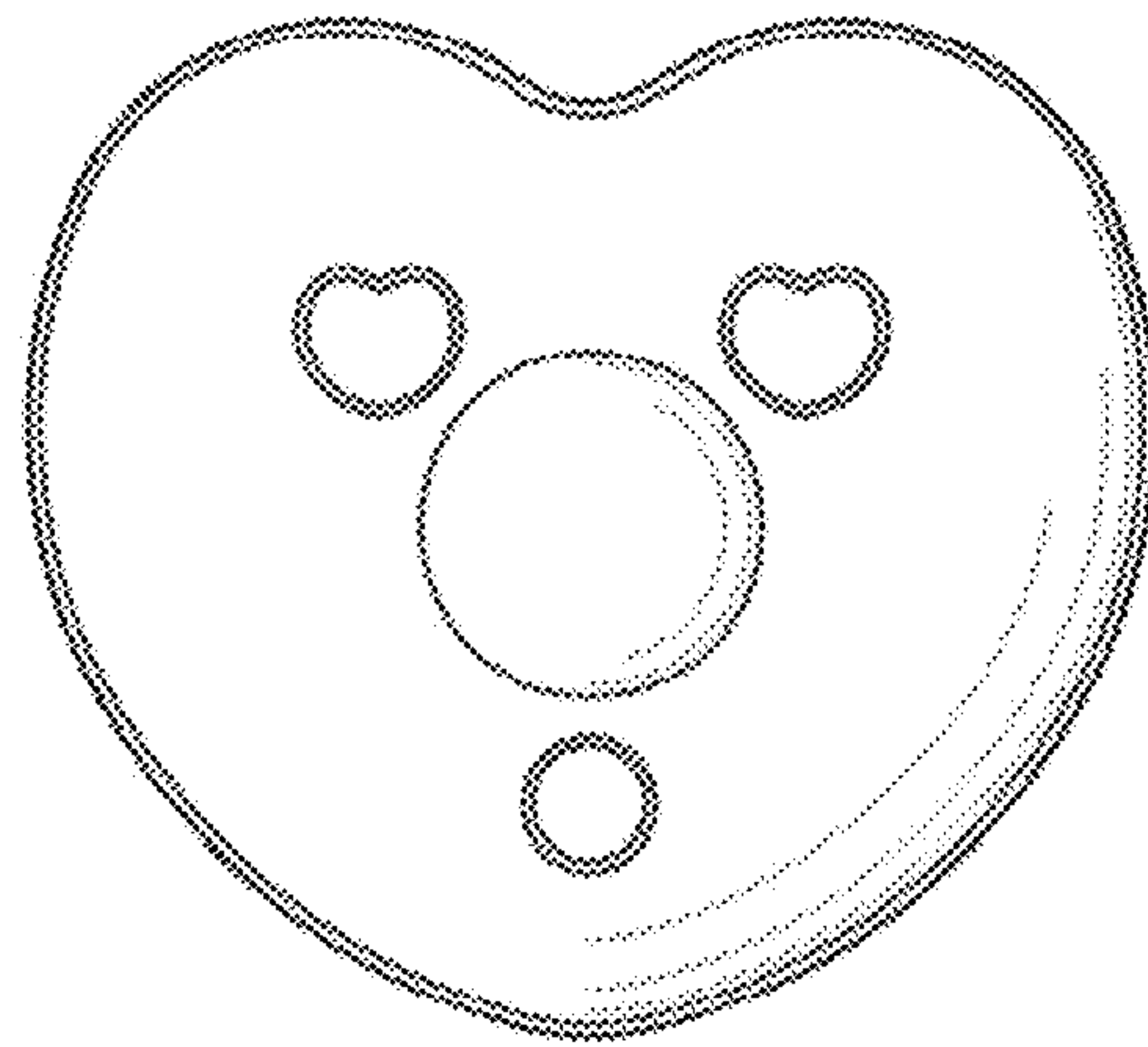


FIG. 3

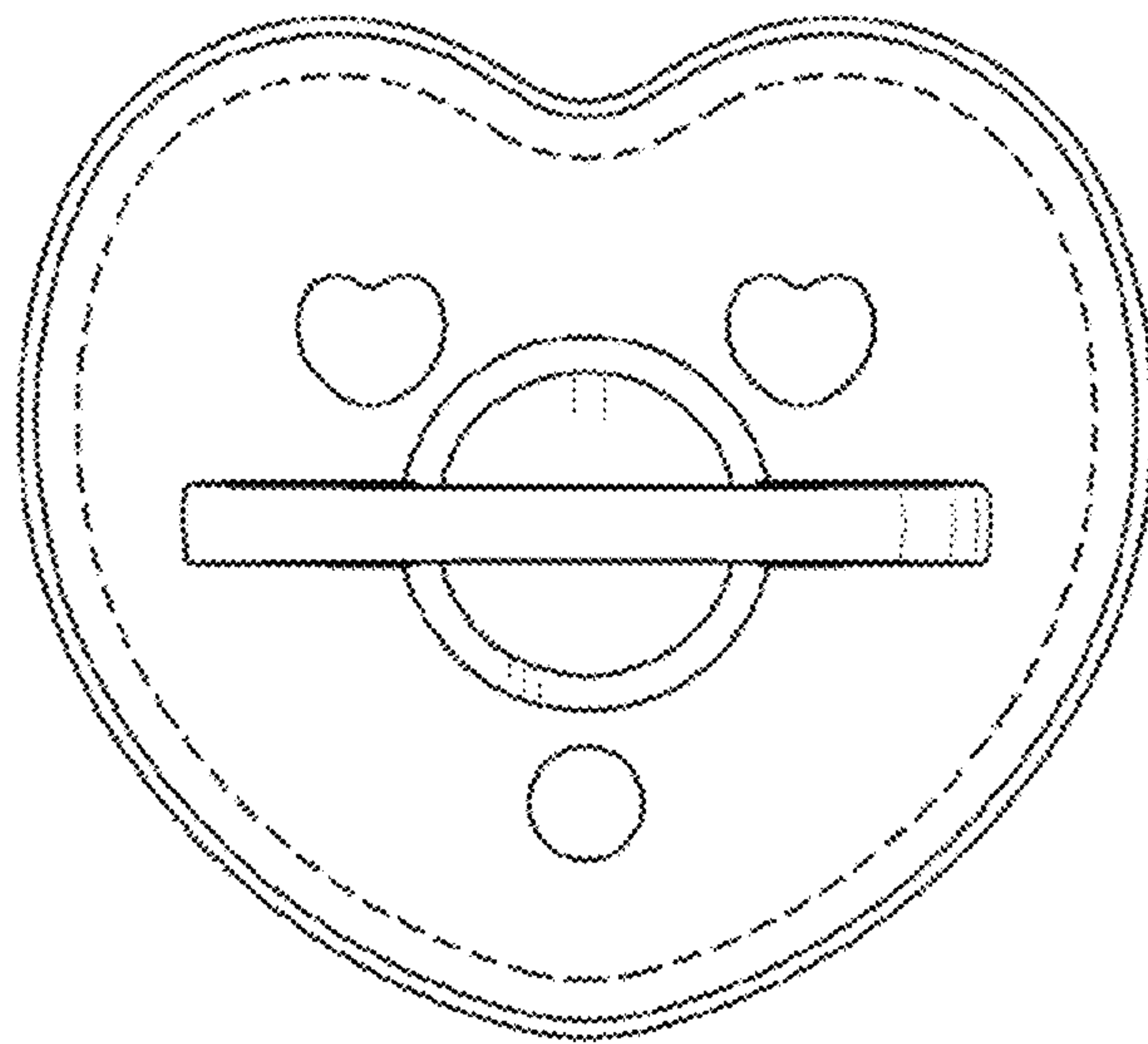


FIG. 4

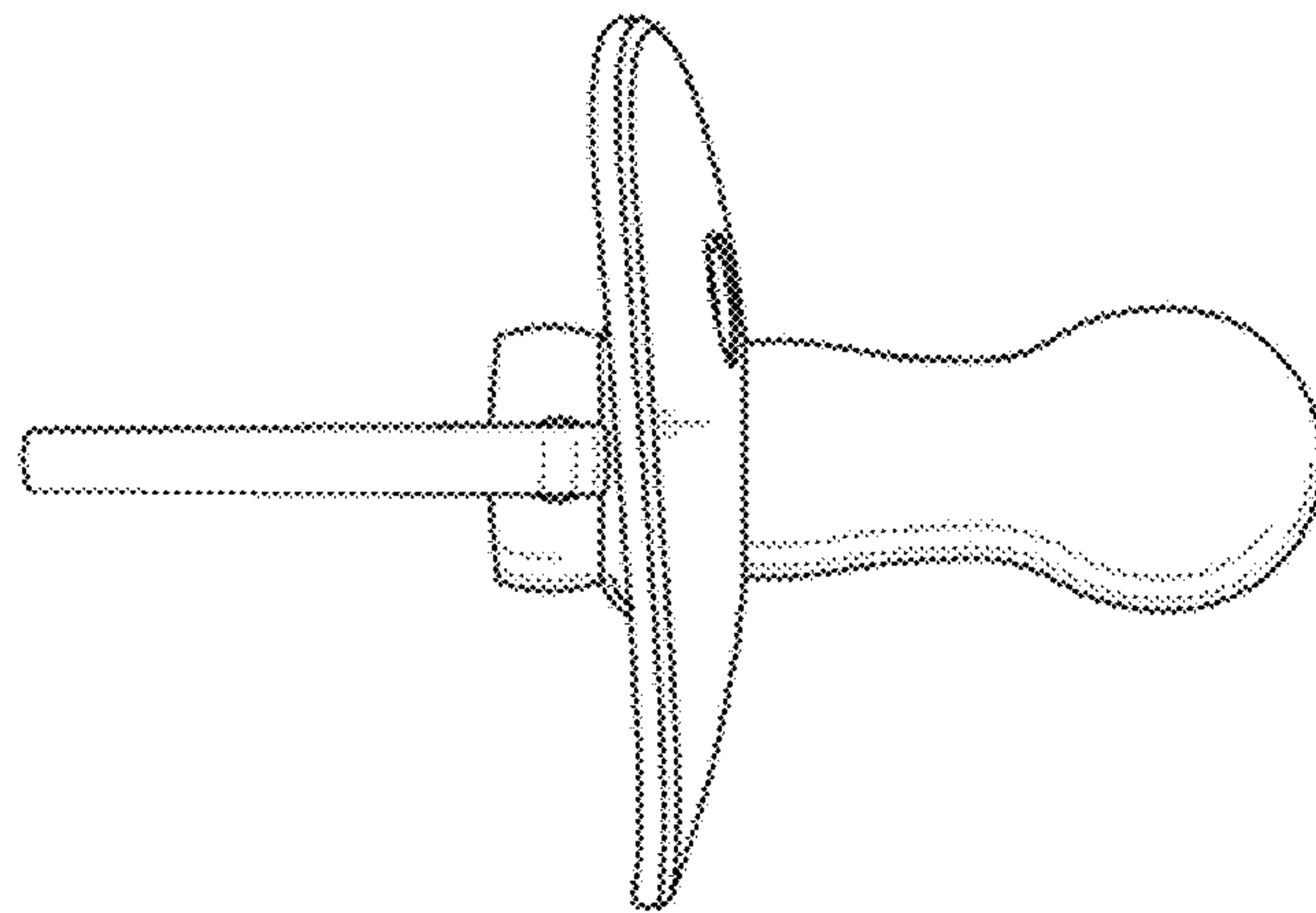


FIG. 5

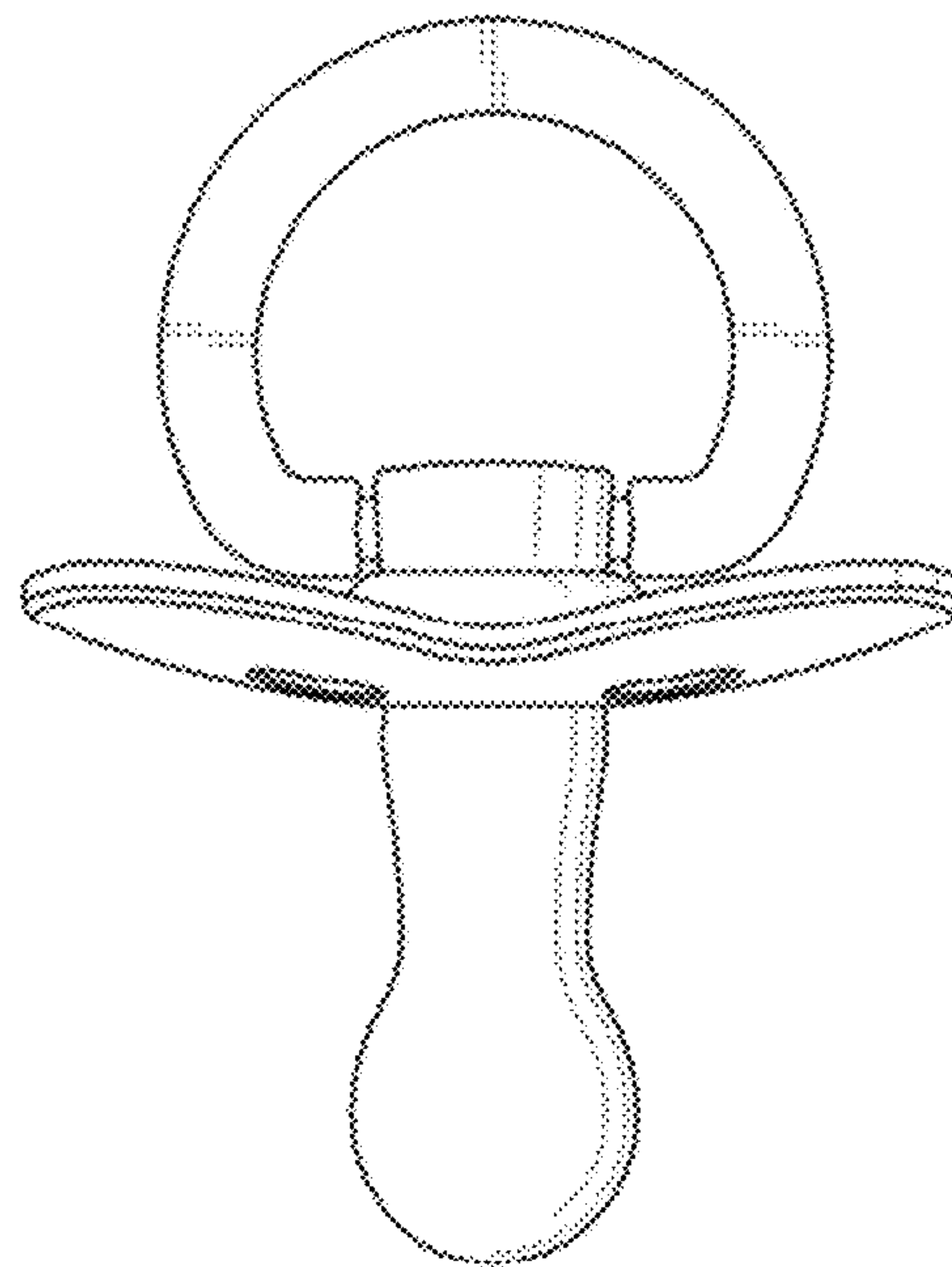


FIG. 6

