



US00D952871S

(12) **United States Design Patent**
Park

(10) **Patent No.:** **US D952,871 S**

(45) **Date of Patent:** **** May 24, 2022**

(54) **PACIFIER CASE**

(71) Applicant: **Seon-mi Park**, Namyangjoo-si (KR)

(72) Inventor: **Seon-mi Park**, Namyangjoo-si (KR)

(**) Term: **15 Years**

(21) Appl. No.: **29/749,650**

(22) Filed: **Sep. 8, 2020**

(30) **Foreign Application Priority Data**

Apr. 14, 2020 (KR) 30-2020-0016592

(51) **LOC (13) Cl.** **24-04**

(52) **U.S. Cl.**
USPC **D24/194**; D24/197

(58) **Field of Classification Search**
USPC D24/193, 194, 195, 196, 197, 199;
D30/160; D21/625, 627, 659; D7/392.1;
D9/442

CPC A61J 17/13; A61J 17/111
See application file for complete search history.

(56) **References Cited**

U.S. PATENT DOCUMENTS

| | | | | | |
|-----------|-----|---------|-------------------|-------|-------------|
| 4,417,613 | A * | 11/1983 | Ryan | | A61J 17/113 |
| | | | | | 215/11.6 |
| 4,493,324 | A * | 1/1985 | Johnston | | A61J 17/113 |
| | | | | | 606/236 |
| D356,871 | S * | 3/1995 | Dunn | | D24/197 |
| D359,123 | S * | 6/1995 | Perrine | | D24/194 |
| D366,936 | S * | 2/1996 | Young | | D24/197 |
| D426,639 | S * | 6/2000 | McGrath-Ferraioli | | D24/197 |
| D469,177 | S * | 1/2003 | Rohrig | | A61J 17/113 |
| | | | | | D24/124 |
| D581,540 | S * | 11/2008 | Nielsen | | D24/194 |
| D596,302 | S * | 7/2009 | Kliegman | | D24/194 |
| D681,460 | S * | 5/2013 | Kim | | D9/443 |

| | | | | | |
|--------------|------|--------|---------|-------|------------|
| D755,400 | S * | 5/2016 | Melvin | | D24/194 |
| D906,811 | S * | 1/2021 | Mandell | | D9/453 |
| 2009/0134112 | A1 * | 5/2009 | Reeves | | B65D 55/16 |
| | | | | | 215/11.6 |

OTHER PUBLICATIONS

“Promise Smile/Heart Silicone Pacifier and Case”. Found on Dec. 29, 2021 at amazon.com. Reference dated Jan. 15, 2021. Retrieved from <https://www.amazon.com/Silicone-Pacifiers-Pacifier-Cashmere-Individual/dp/B08NQ2CRDJ?th=1>.*

“RealCare: Baby Bottle Caps”. Found online Mar. 7, 2018 at realityworks.com. Reference dated Feb. 11, 2013. Retrieved from <https://web.archive.org/web/20130211022159/https://store.realityworks.com/products/realcare-baby-bottle-caps—5-pack>.*

(Continued)

Primary Examiner — Kendra Leslie Hamilton

(74) *Attorney, Agent, or Firm* — Sughrue Mion, PLLC

(57) **CLAIM**

The ornamental design for a pacifier case, as shown and described.

DESCRIPTION

FIG. 1 is a front, top, left perspective view of a pacifier case, showing my new design;

FIG. 2 is a front elevation view of thereof, wherein the rear elevation view is a mirror image thereof;

FIG. 3 is a left side elevation view thereof, wherein the right side elevation view is a mirror image thereof;

FIG. 4 is a top plan view thereof;

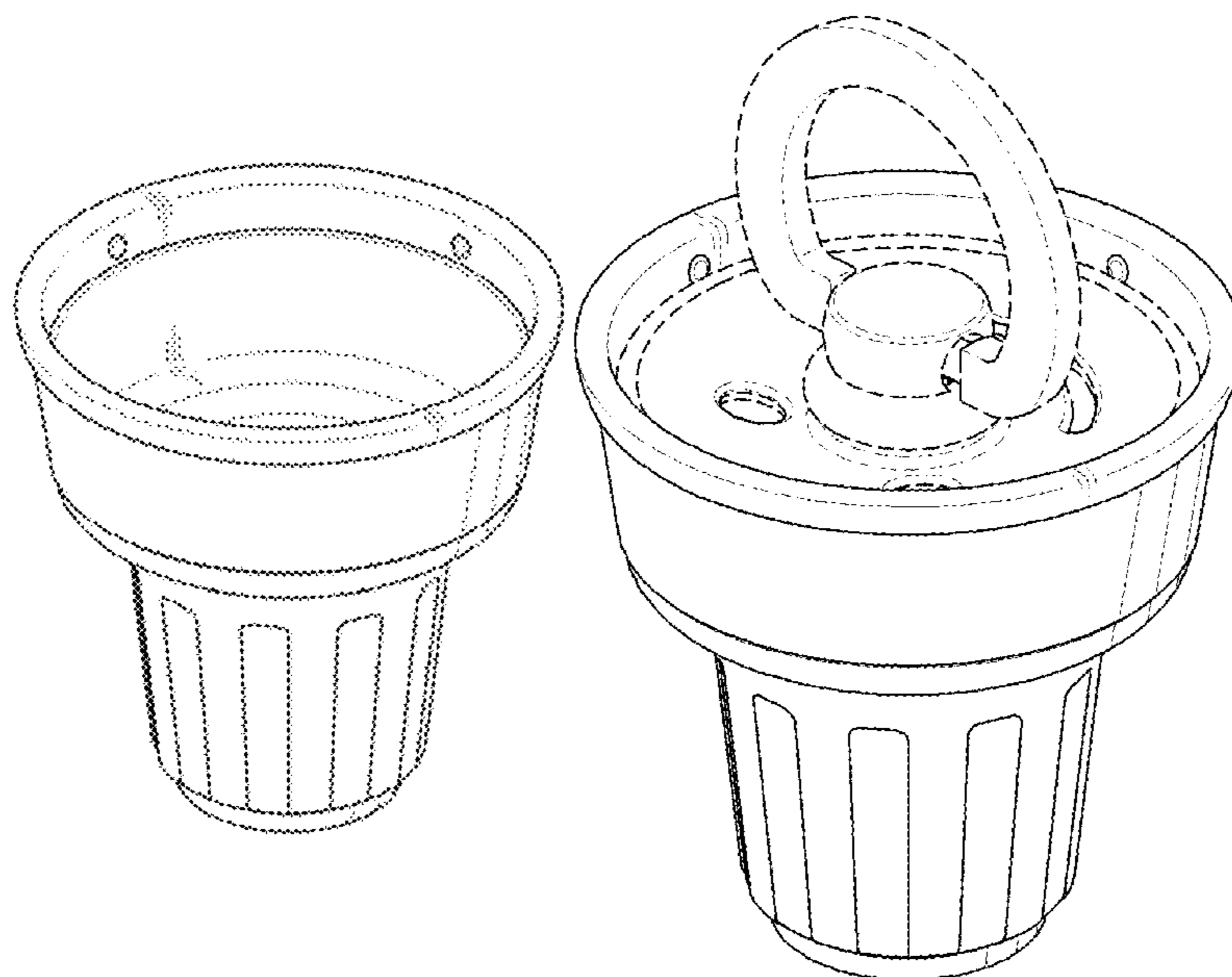
FIG. 5 is a bottom view thereof;

FIG. 6 is a cross-sectional elevation view of the pacifier case of FIG. 1, taken in the direction of line 6-6 of FIG. 4; and,

FIG. 7 is a front, top, left perspective view of the pacifier case of FIG. 1, shown in a condition of use.

The broken lines in the drawing figures depict unclaimed environment and form no part of the claimed design.

1 Claim, 7 Drawing Sheets



(56)

References Cited

OTHER PUBLICATIONS

“Evenflo: Feeding Classic-Vented Glass Bottles and Lids”. Found online Aug. 17, 2016 at toysrus.com. Reference dated Jan. 28, 2014. Retrieved from <http://www.toysrus.com/buy/bottles-sizes-8-11-oz/evenflo-feeding-classic-glass-vented-8-ounce-bottle-3-pack-1028311-30639676>.*

“Joovy: Airnoogie Pacifier and Case”. Found online Dec. 29, 2021 at amazon.sg. Reference dated Feb. 13, 2017. Retrieved from <https://www.amazon.sg/JOOVY-Airnoogie-Pacifier-Turquoise-Medium/dp/B06XMQGT87>.*

* cited by examiner

FIG. 1

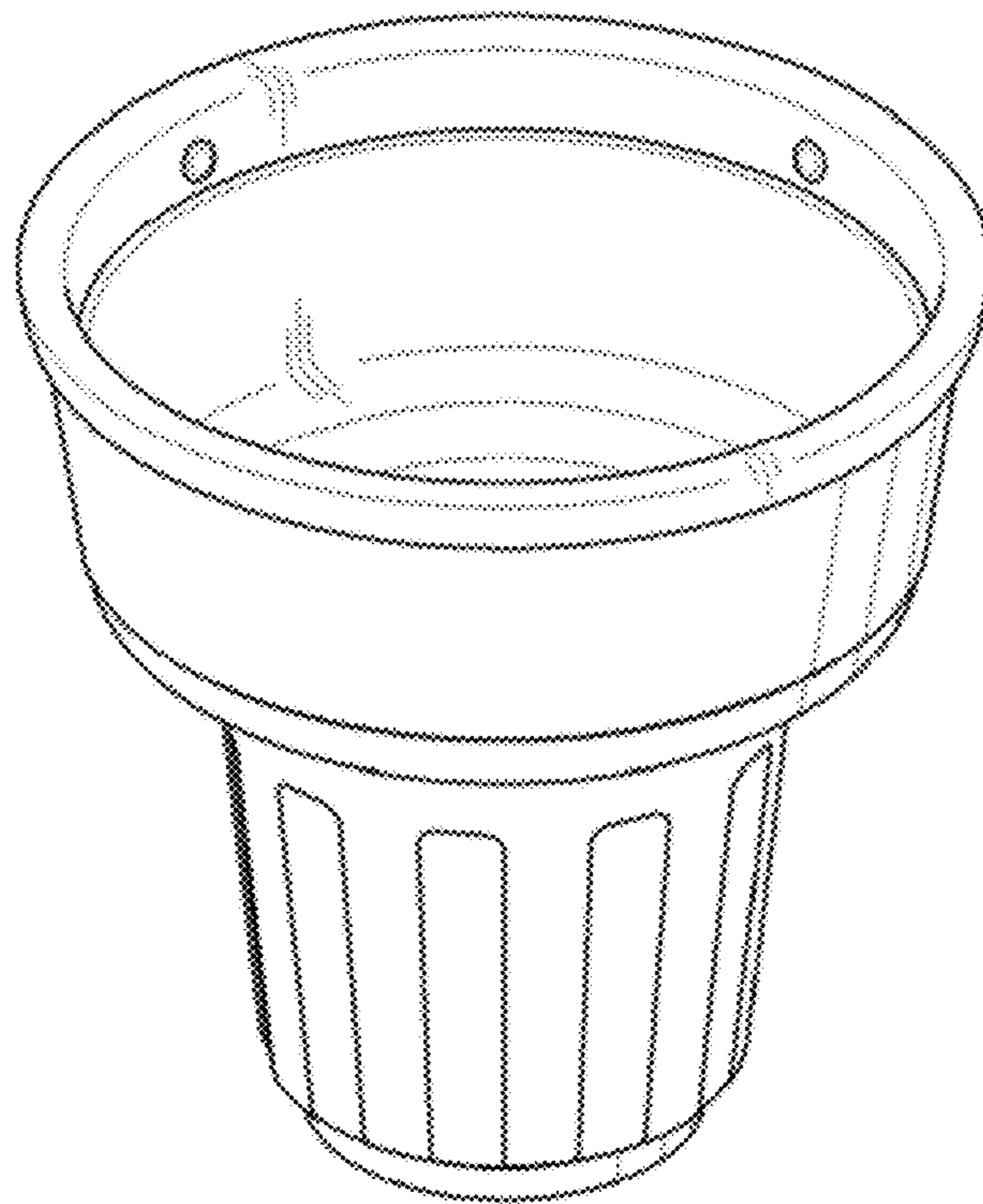


FIG. 2

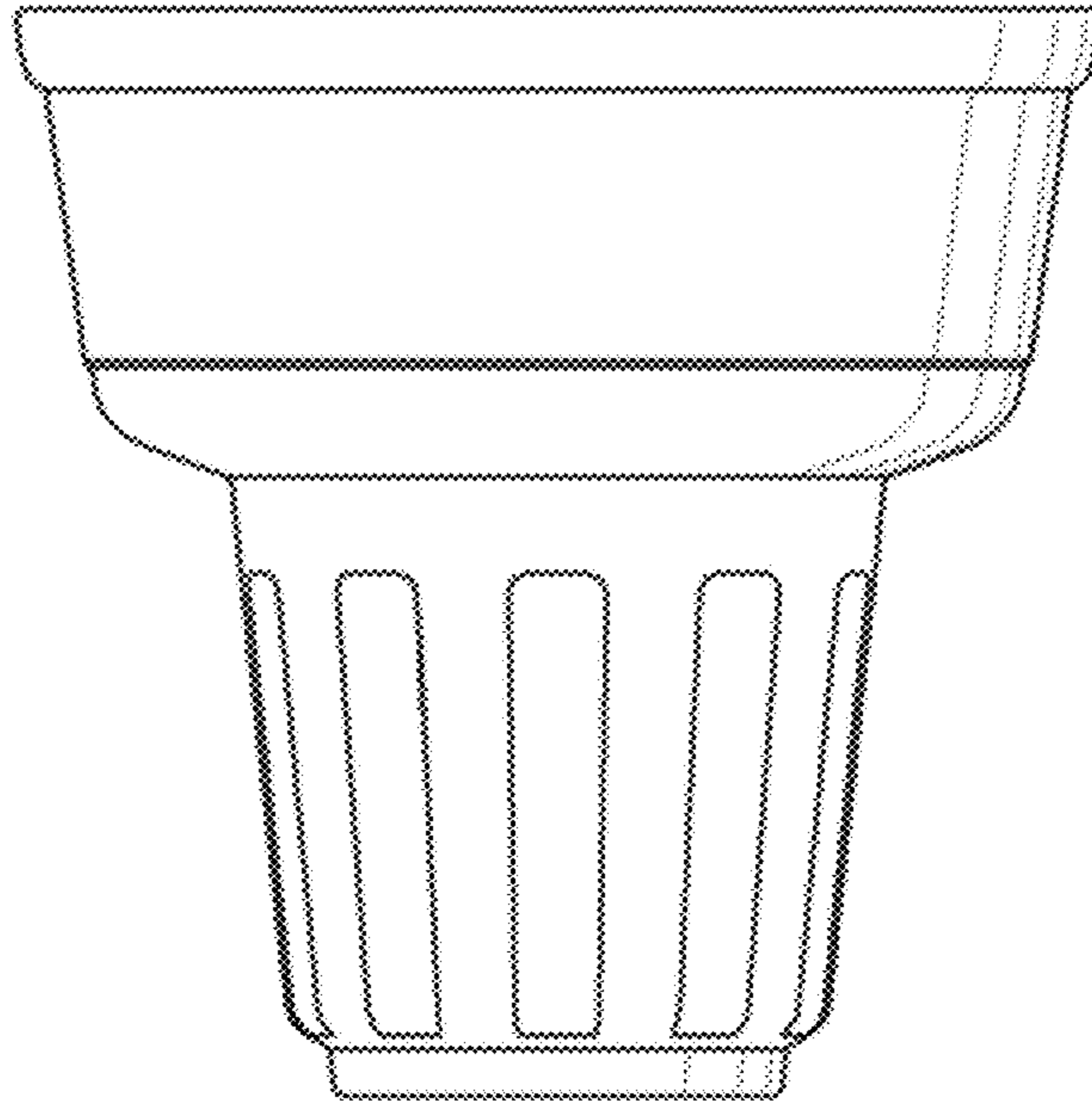


FIG. 3

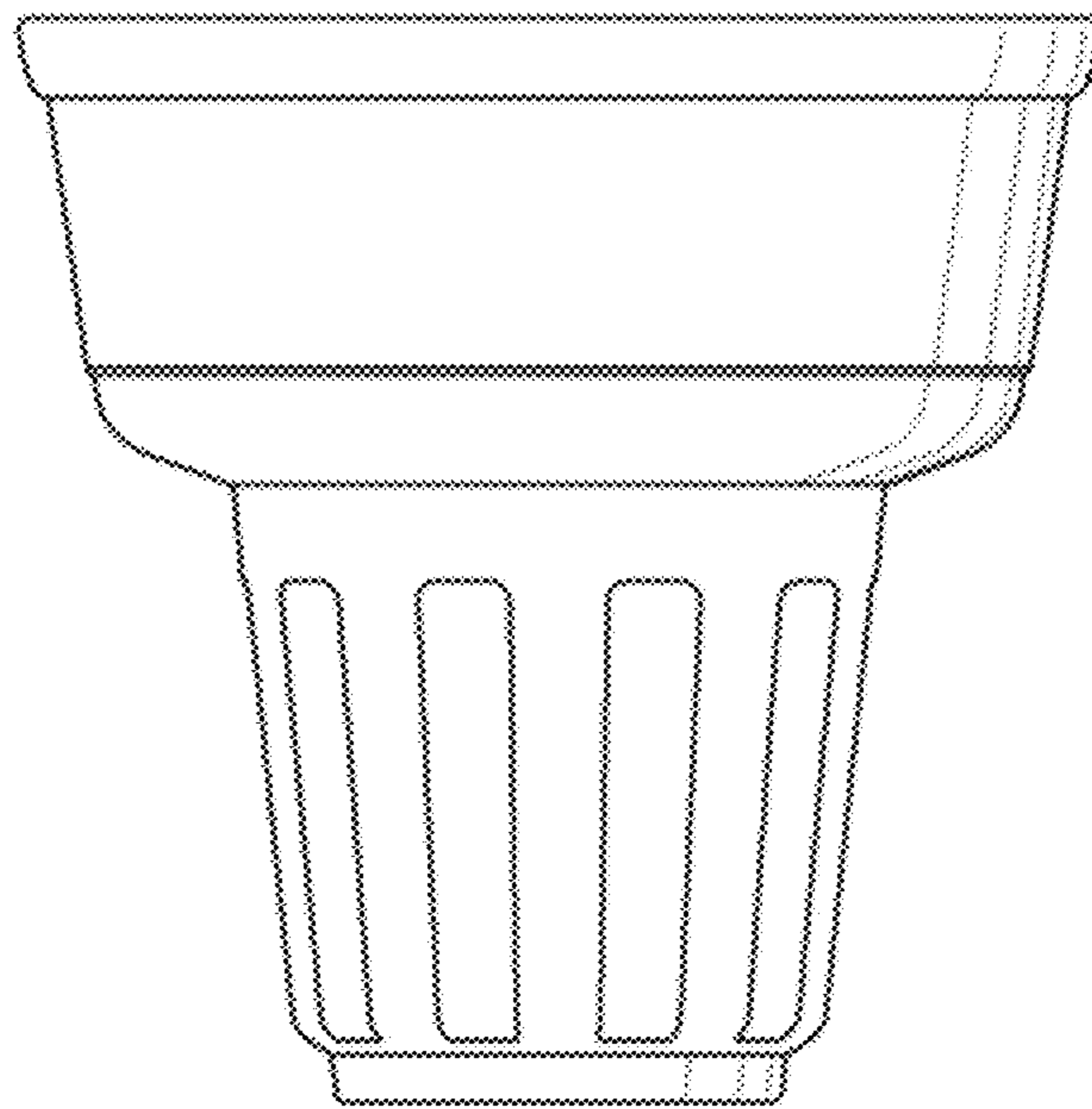


FIG. 4

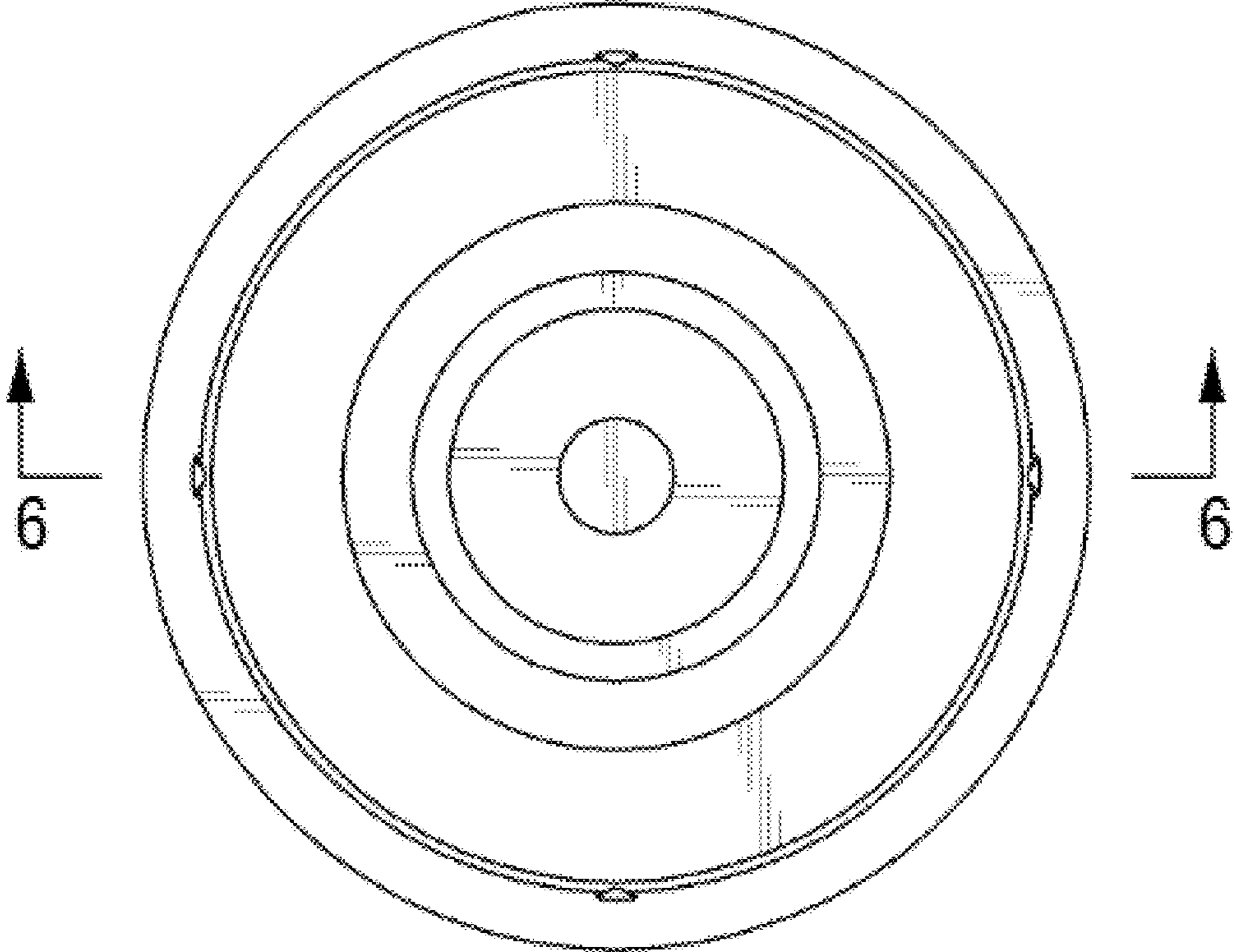


FIG. 5

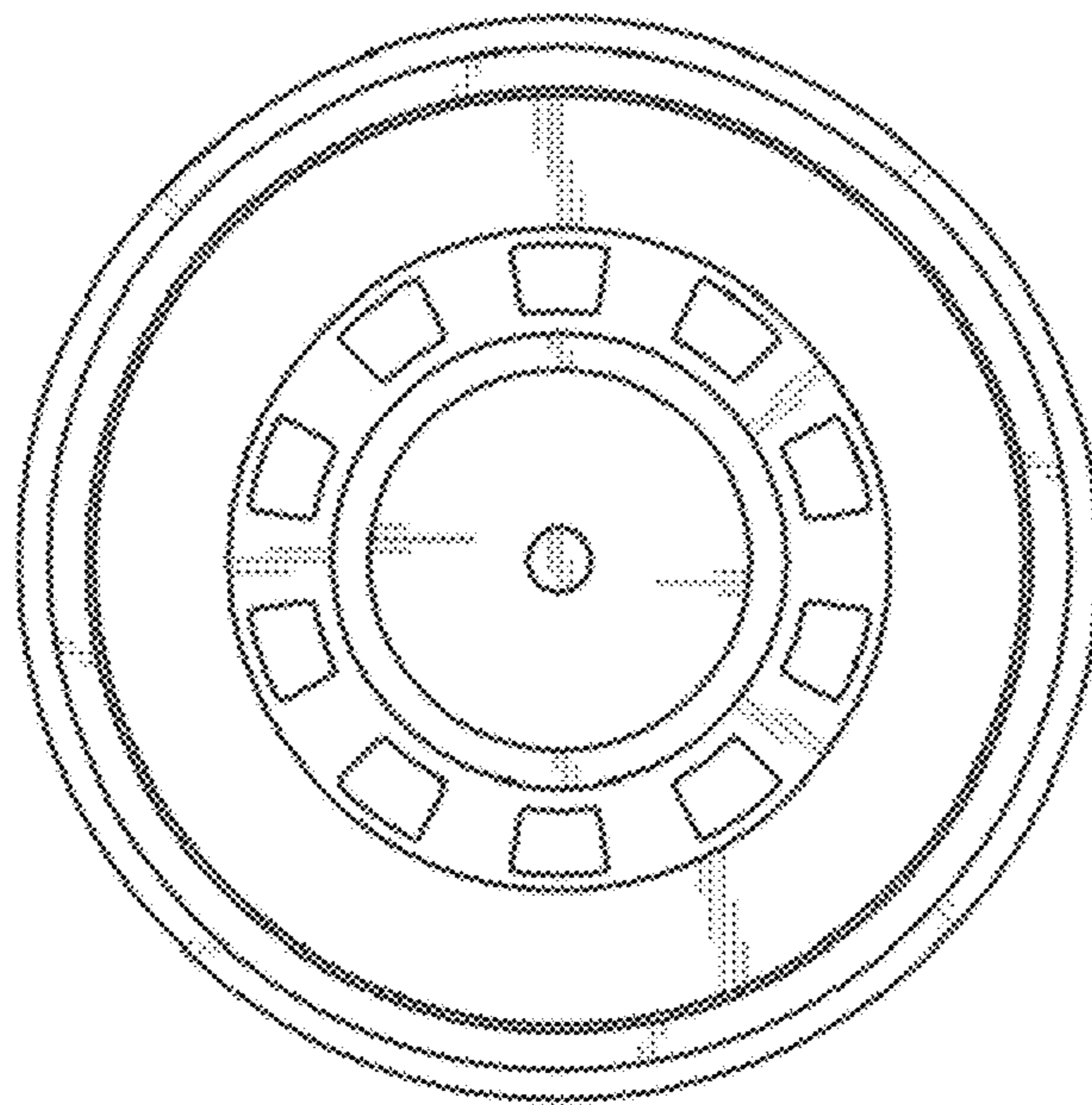


FIG. 6

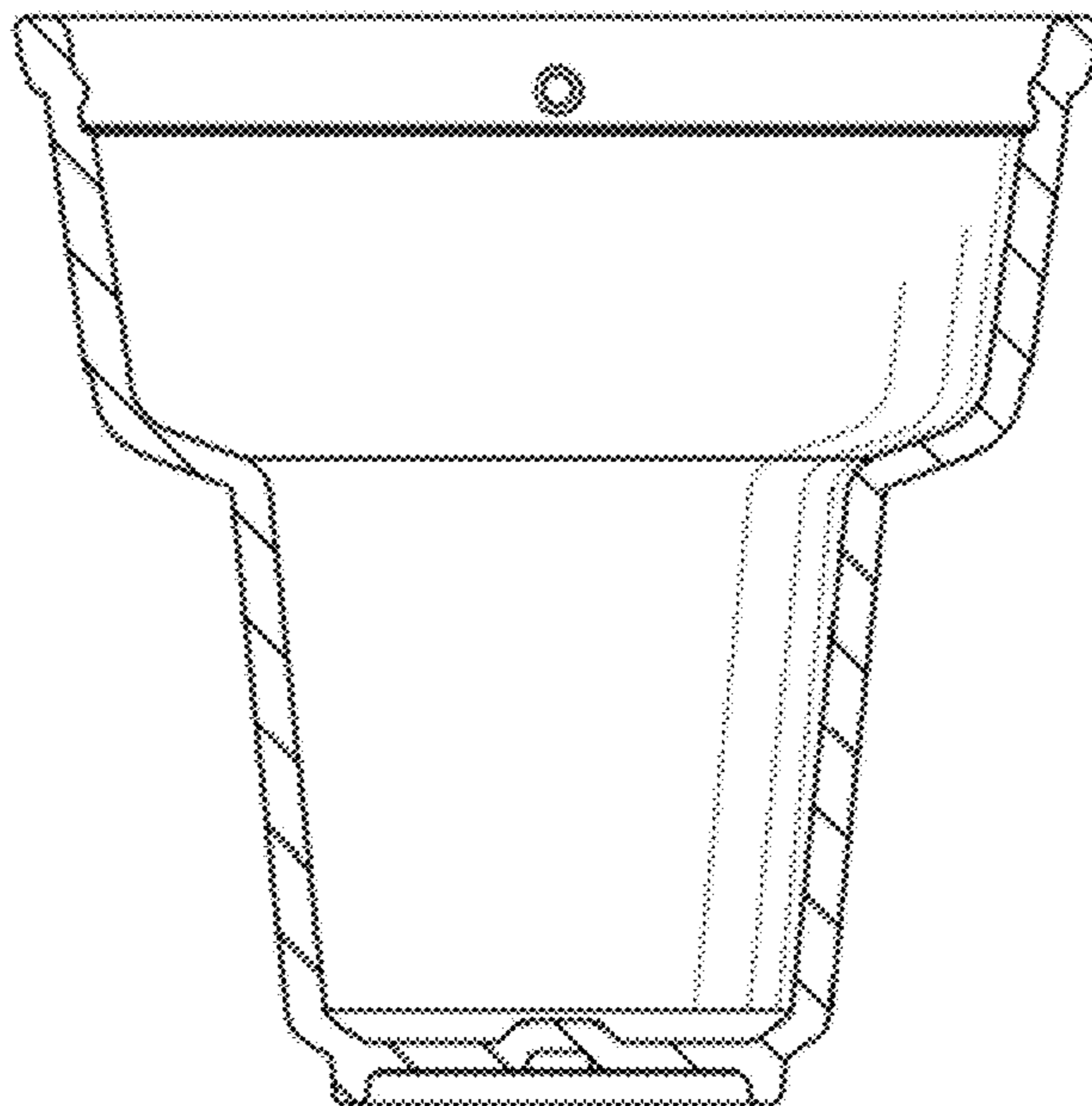


FIG. 7

