

US00D952870S

(12) **United States Design Patent** (10) **Patent No.:** **US D952,870 S**
Ho (45) **Date of Patent:** **** May 24, 2022**

(54) **BODY JOINT SUPPORT DEVICE**

(71) Applicant: **Hoi Ming Michael Ho**, Tuen Mun (HK)

(72) Inventor: **Hoi Ming Michael Ho**, Tuen Mun (HK)

(**) Term: **15 Years**

(21) Appl. No.: **29/771,684**

(22) Filed: **Feb. 24, 2021**

(30) **Foreign Application Priority Data**

Jan. 19, 2021 (CN) 202130035830.9

(51) **LOC (13) Cl.** **24-02**

(52) **U.S. Cl.**
USPC **D24/190**

(58) **Field of Classification Search**

USPC D24/188-192, 183, 145; D29/101.5, D29/121.1, 113, 114

CPC A61F 2005/0176; A61F 5/0123; A61F 13/085; A61N 1/36021; A61N 1/0484; A61N 1/0456; A61N 1/0452

See application file for complete search history.

(56) **References Cited**

U.S. PATENT DOCUMENTS

- 3,046,981 A * 7/1962 Biggs, Jr. A61F 5/0109
602/26
- D259,058 S * 4/1981 Marshall D24/190
- 4,366,813 A * 1/1983 Nelson A61F 5/0109
2/24
- 4,805,606 A * 2/1989 McDavid, III A61F 5/0125
2/22
- D506,553 S * 6/2005 Tesluk D24/169
- D510,140 S * 9/2005 Brown D24/190
- D527,825 S * 9/2006 Ingimundarson D24/190

(Continued)

Primary Examiner — T Chase Nelson

Assistant Examiner — Kelly L Gross

(74) *Attorney, Agent, or Firm* — CIPO IP Group

(57) **CLAIM**

The ornamental design for a body joint support device, as shown and described.

DESCRIPTION

FIG. 1 is a perspective view of the body joint stability device showing my new design according to a first embodiment of the present disclosure;

FIG. 2 is a front view thereof;

FIG. 3 is a rear view thereof;

FIG. 4 is an enlarged left side view thereof;

FIG. 5 is an enlarged right side view thereof;

FIG. 6 is a top view thereof;

FIG. 7 is a bottom view thereof;

FIG. 8 is a first perspective rear view thereof;

FIG. 9 is a second perspective rear view thereof;

FIG. 10 is a third perspective rear view thereof;

FIG. 11 is a perspective view of the body joint stability device showing my new design according to a second embodiment of the present disclosure in which the relative lengths of the extension portions to which the adjusting straps are attached are different from that shown in FIGS. 1-10;

FIG. 12 is a front view thereof;

FIG. 13 is a rear view thereof;

FIG. 14 is an enlarged left side view thereof;

FIG. 15 is an enlarged right side view thereof;

FIG. 16 is a top view thereof;

FIG. 17 is a bottom view thereof;

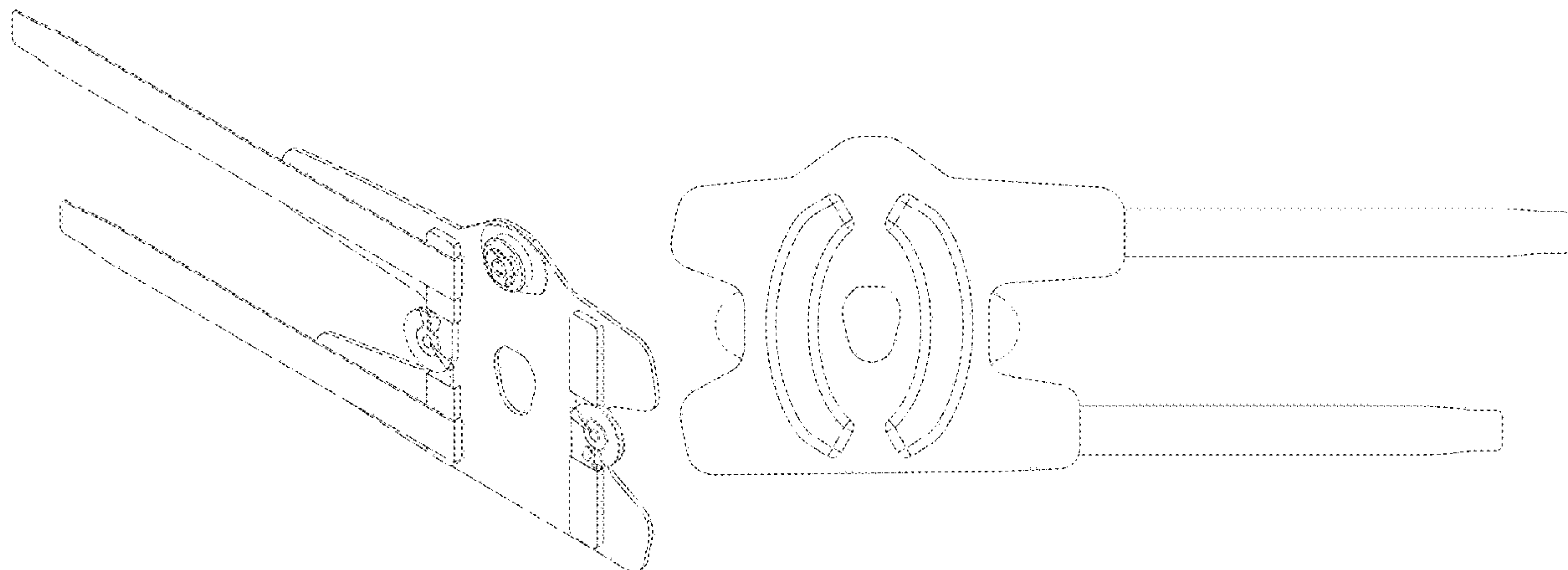
FIG. 18 is a first perspective rear view thereof;

FIG. 19 is a second perspective rear view thereof; and,

FIG. 20 is a third perspective rear view thereof.

Broken lines in the drawings show portions of the body joint support device that form no part of the claimed design.

1 Claim, 20 Drawing Sheets



(56)

References Cited

U.S. PATENT DOCUMENTS

7,276,039	B2 *	10/2007	Garelick	A61F 5/0118 602/21
D568,482	S *	5/2008	Gramza	D24/190
D573,713	S *	7/2008	Mueller	D24/190
D634,851	S *	3/2011	Chiang	D24/190
D635,267	S *	3/2011	Chiang	D24/190
D638,546	S *	5/2011	Janzon	D24/190
D662,213	S *	6/2012	Quisenberry	D24/206
D683,465	S *	5/2013	Forbes	D24/190
D683,859	S *	6/2013	Forbes	D24/190
D716,954	S *	11/2014	Forbes	D24/190
D716,955	S *	11/2014	Forbes	D24/190
D716,956	S *	11/2014	Ortega	D24/190
D733,894	S *	7/2015	Ortega	D24/190
D745,176	S *	12/2015	Kusmirek	D24/190
D750,261	S *	2/2016	Kusmirek	D24/190
D750,262	S *	2/2016	Kusmirek	D24/190
D750,790	S *	3/2016	Ortega	D24/190
D758,598	S *	6/2016	Forbes	D24/190
D802,154	S *	11/2017	Ceccarelli	D24/190
D810,309	S *	2/2018	Forbes	A61F 5/0109 D24/190
10,231,860	B2 *	3/2019	Forbes	A61F 5/0109
D854,173	S *	7/2019	Viroleau	D24/190
D859,666	S *	9/2019	Gildersleeve	D24/190
D865,977	S *	11/2019	Rokitta	D24/190
D875,262	S *	2/2020	Kruchem	D24/190
10,842,659	B2 *	11/2020	Best	A61F 5/0109
D908,974	S *	1/2021	Chang	D24/190
D916,384	S *	4/2021	Chang	D29/121.1
D917,706	S *	4/2021	Singh	D24/190
D917,708	S *	4/2021	Chahine	D24/190
10,966,851	B2 *	4/2021	Ingimundarson	A61F 5/0109
D927,007	S *	8/2021	Escamilla	A61F 5/0109 D24/207
D932,042	S *	9/2021	Hu	D24/215
2004/0176715	A1 *	9/2004	Nelson	A61F 5/0109 602/26
2004/0225245	A1 *	11/2004	Nelson	A61F 5/0123 602/26
2005/0020951	A1 *	1/2005	Gaylord	A61F 5/0109 602/26
2006/0135904	A1 *	6/2006	Ingimundarson	A61F 5/0123 602/26
2022/0001178	A1 *	1/2022	Ho	A61N 1/321

* cited by examiner

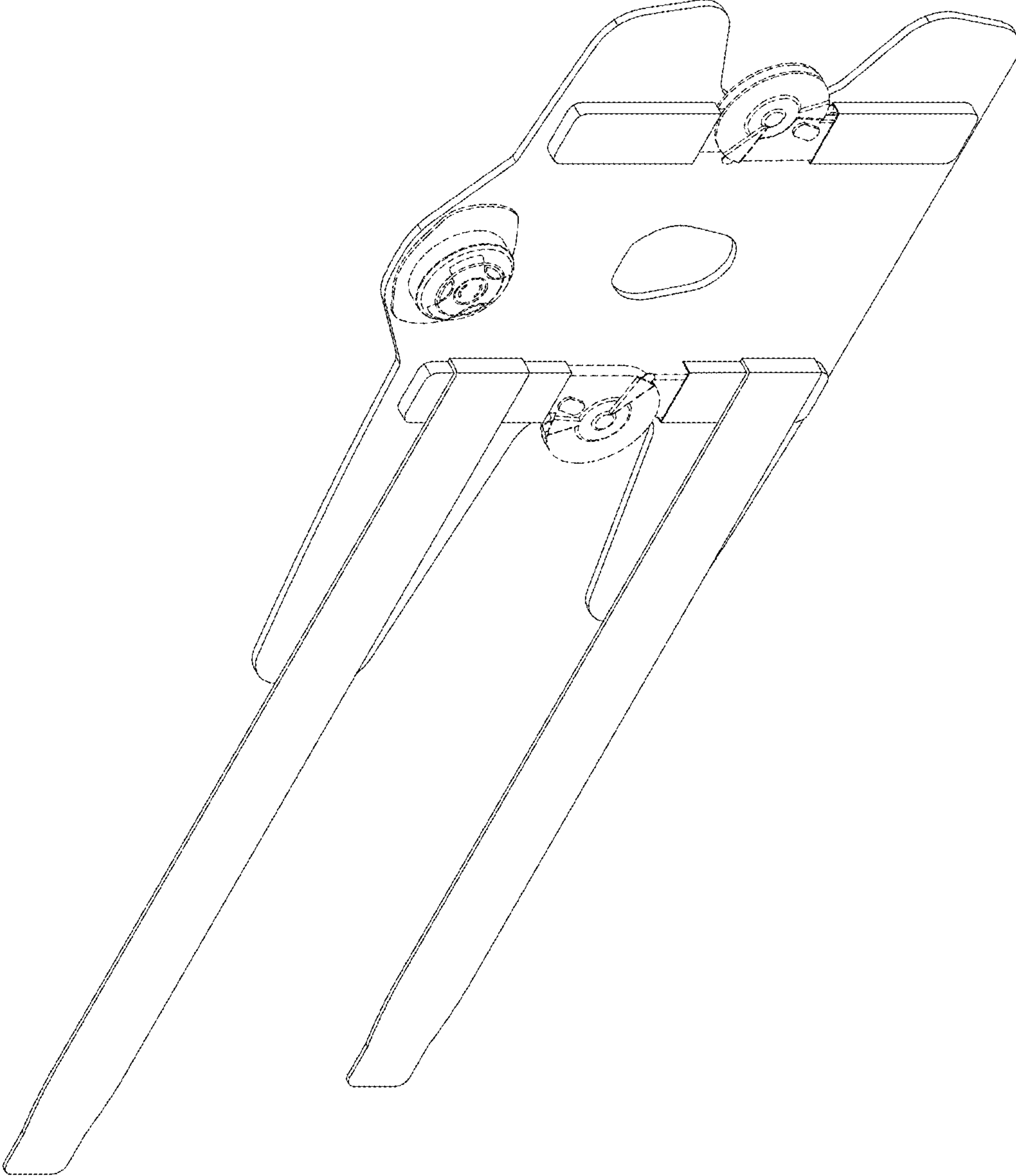


FIG. 1

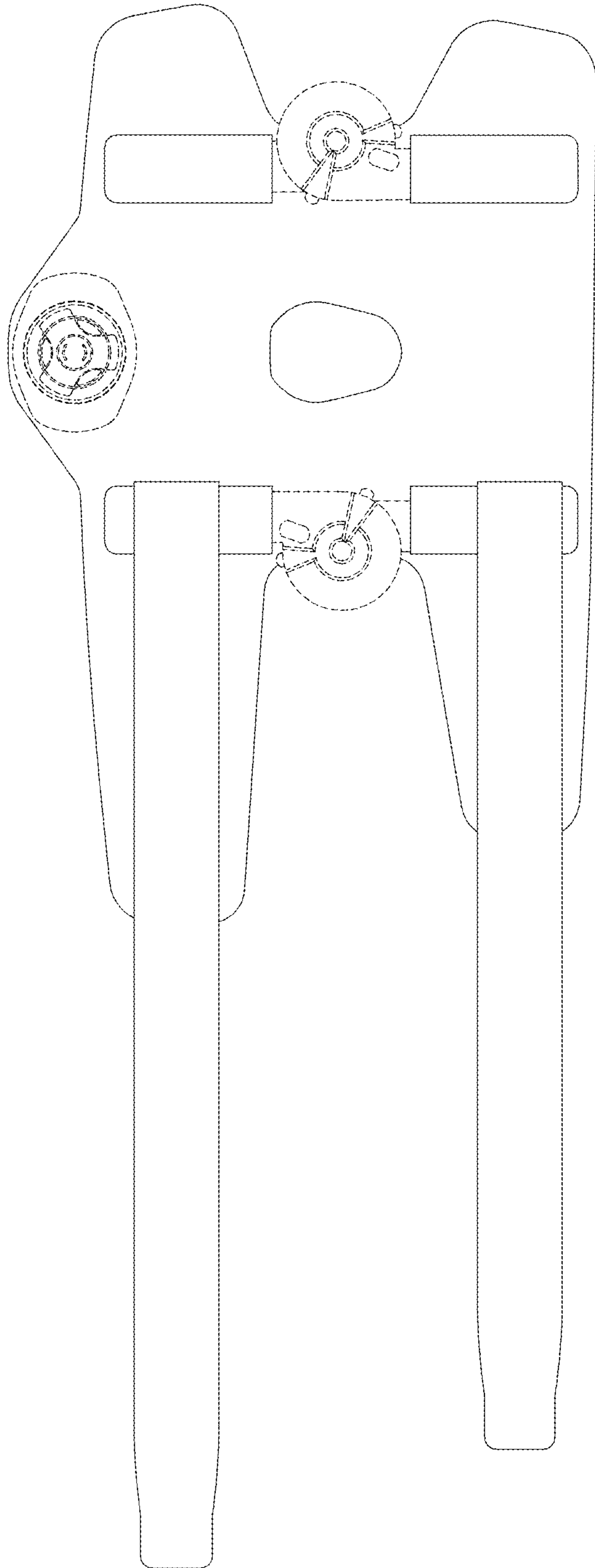


FIG. 2

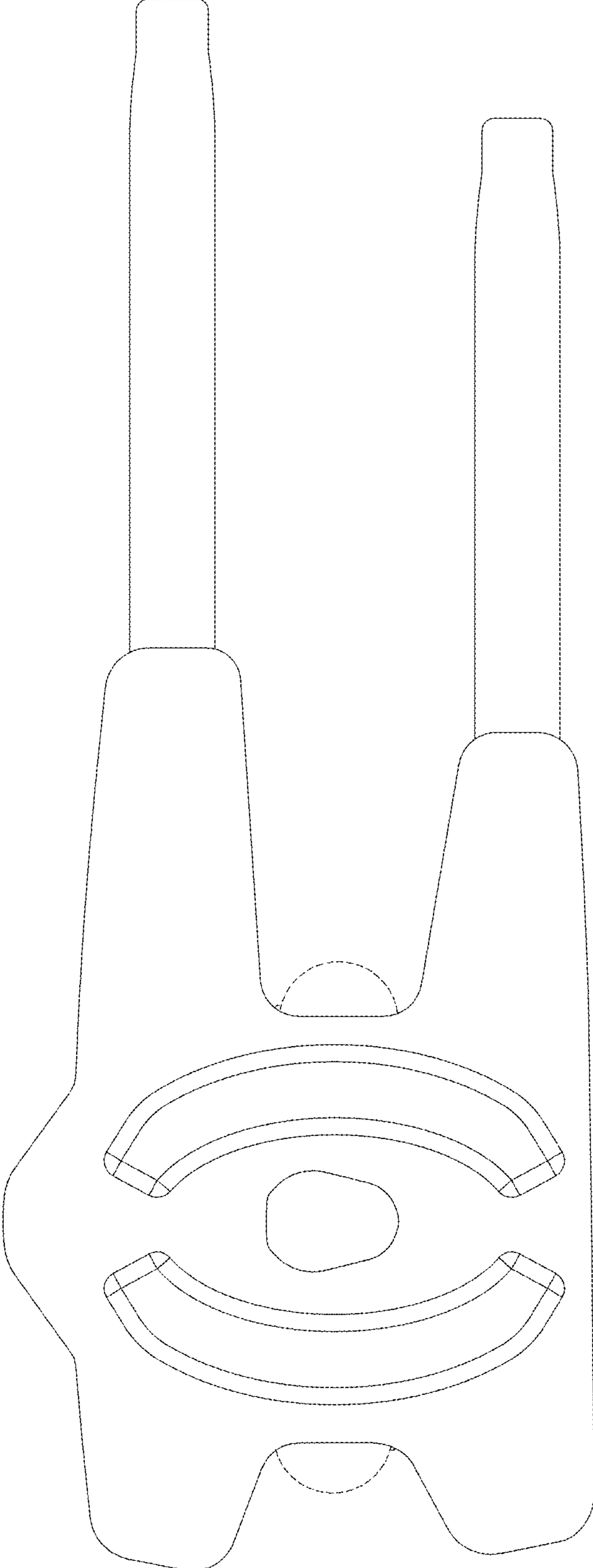


FIG. 3

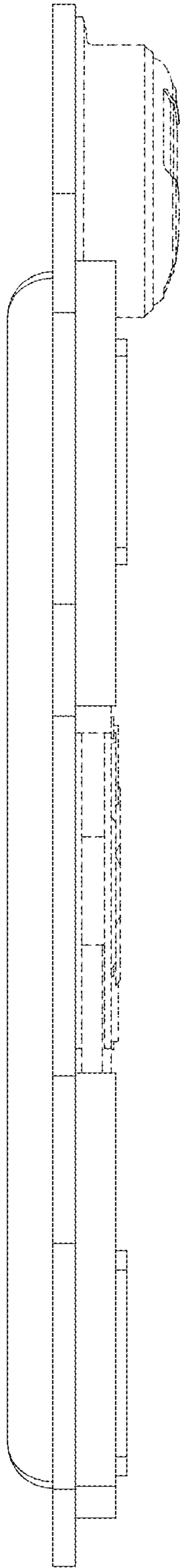


FIG. 4

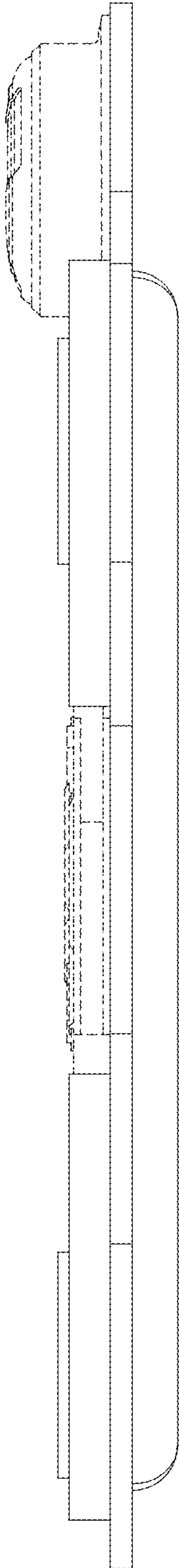


FIG. 5

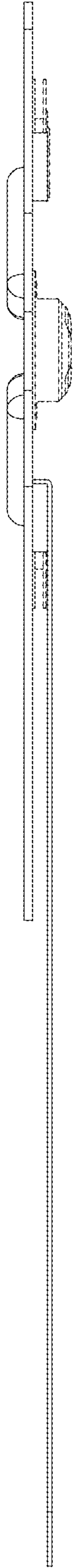


FIG. 6

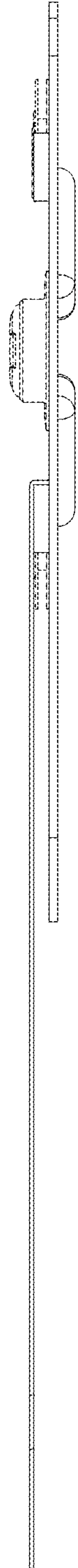


FIG. 7

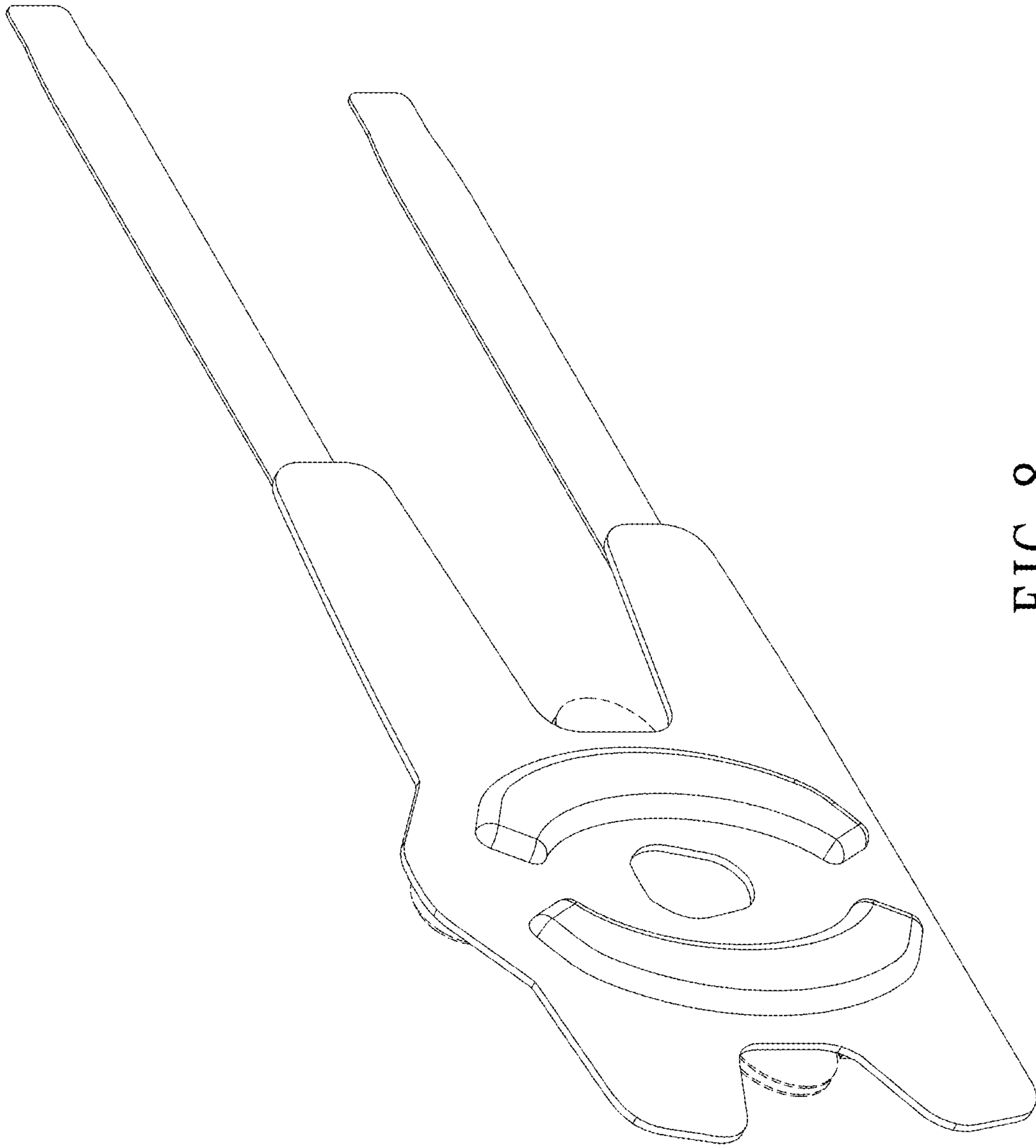


FIG. 8

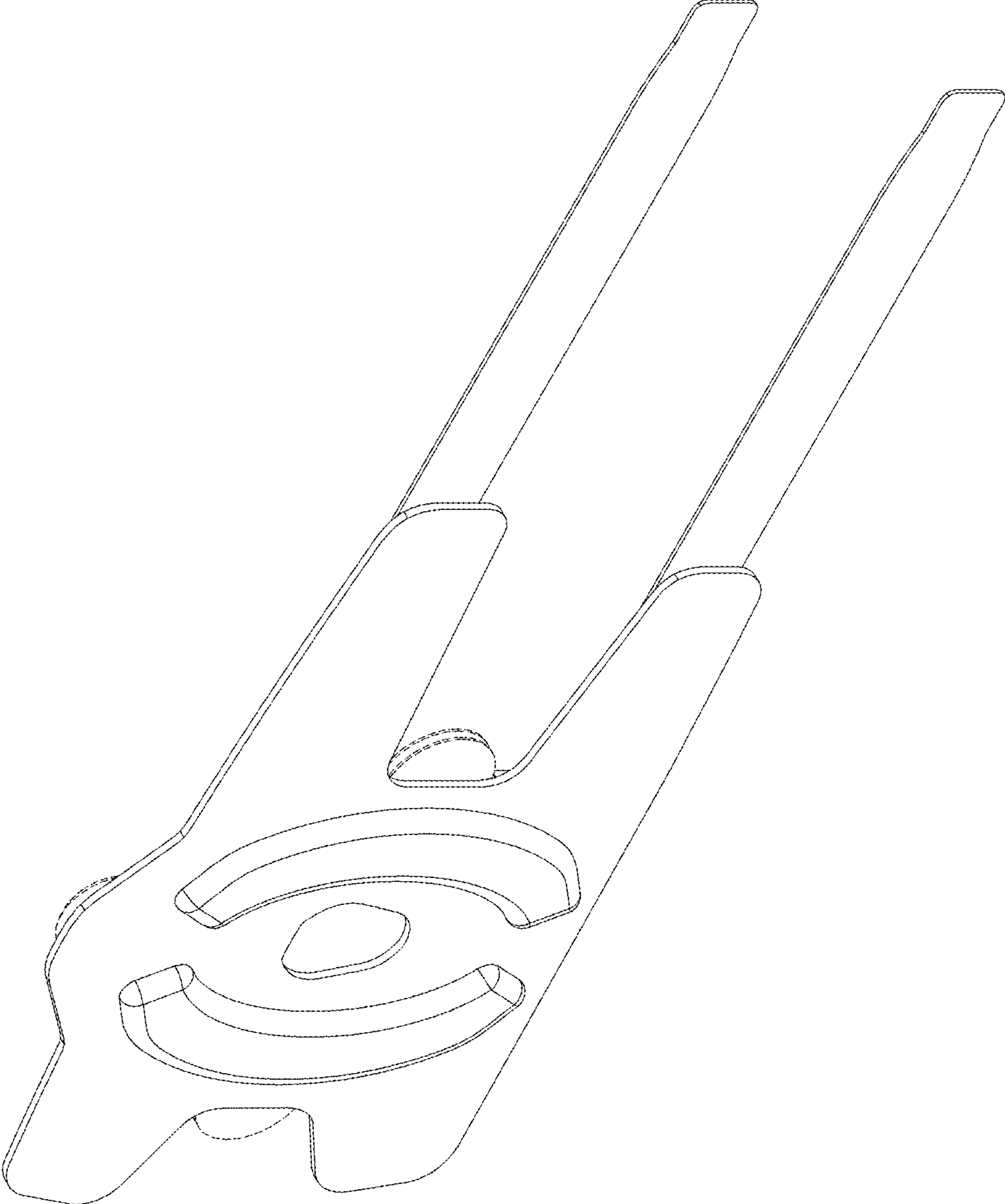


FIG. 9

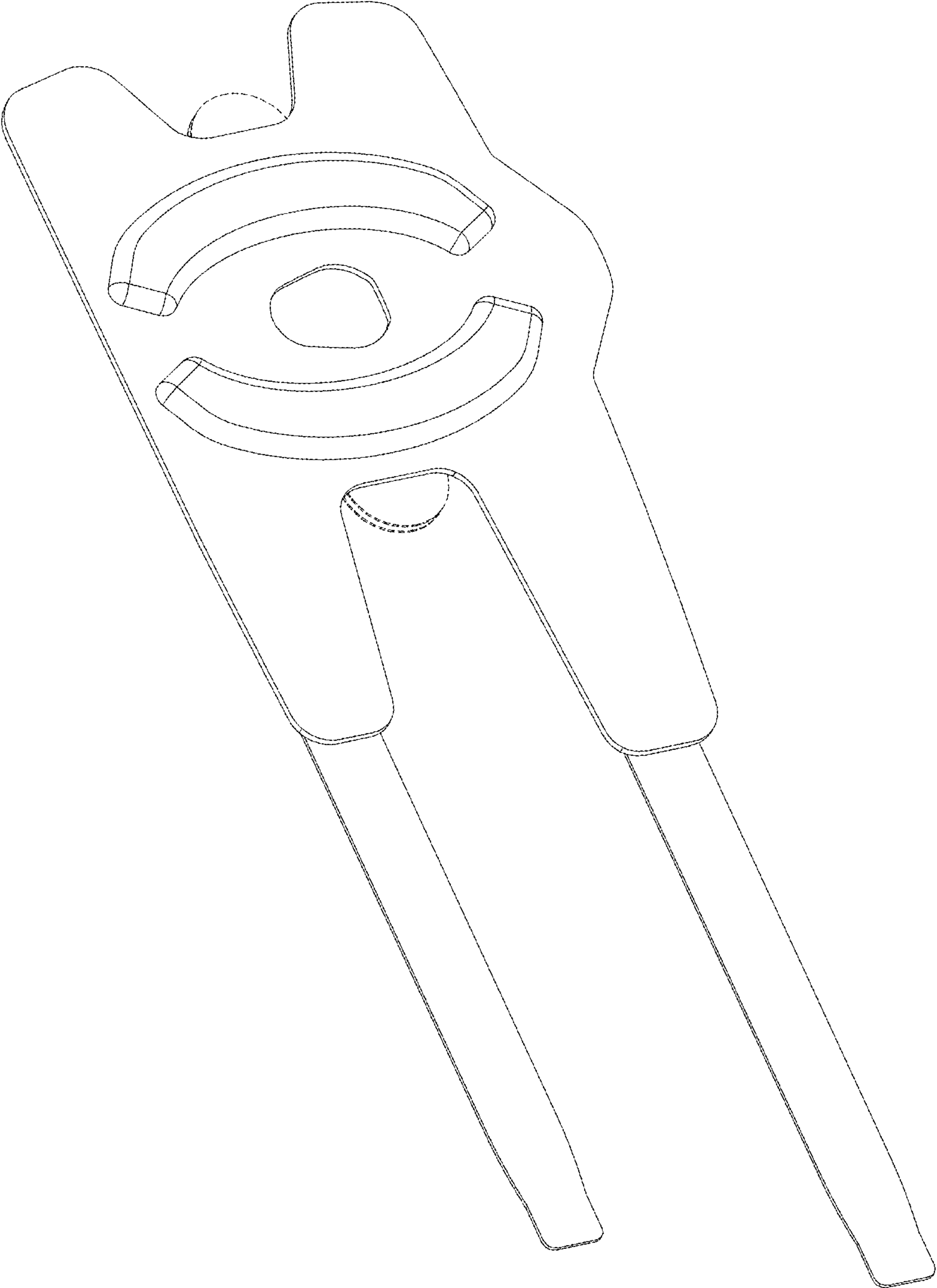


FIG. 10

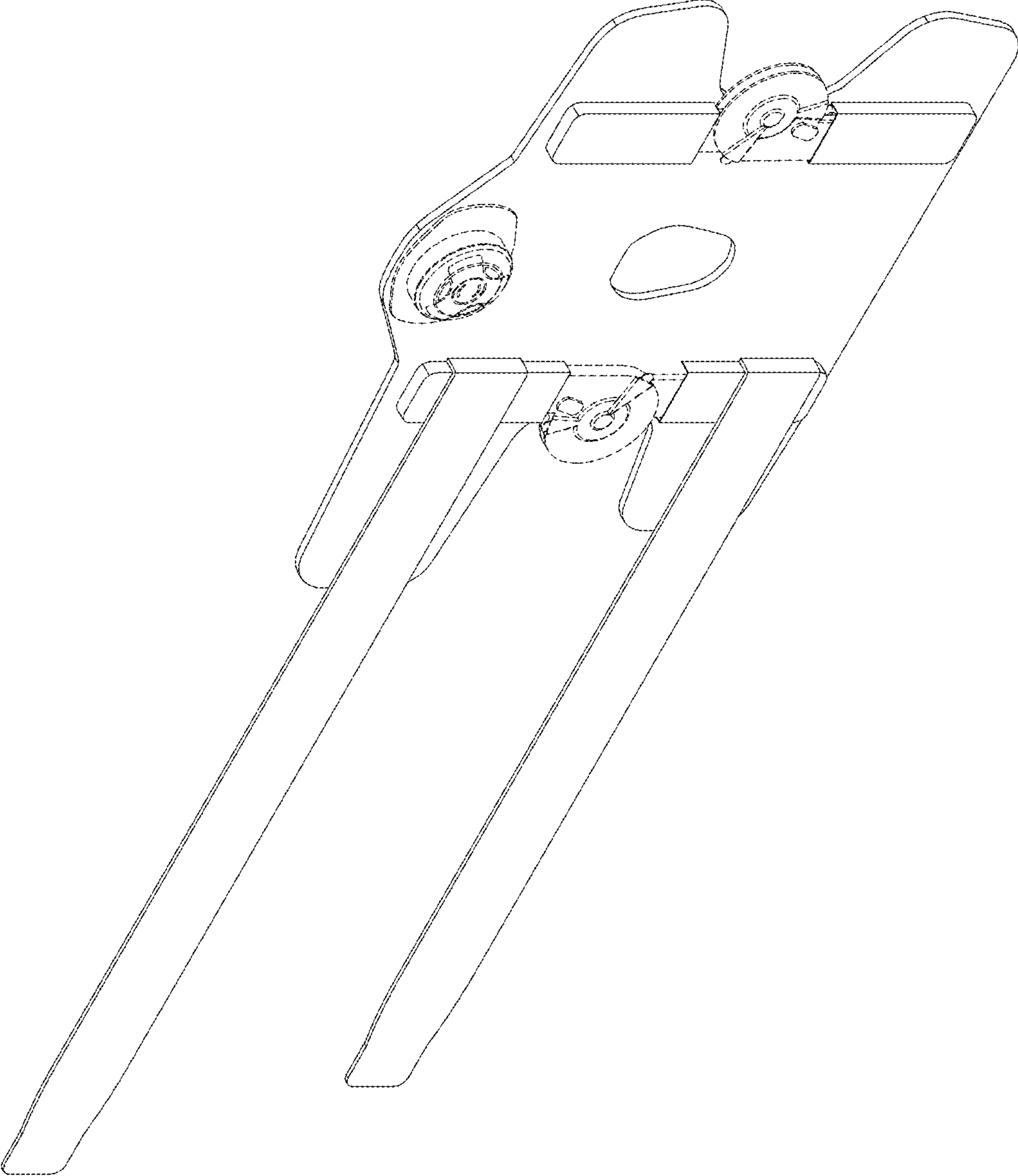


FIG. 11

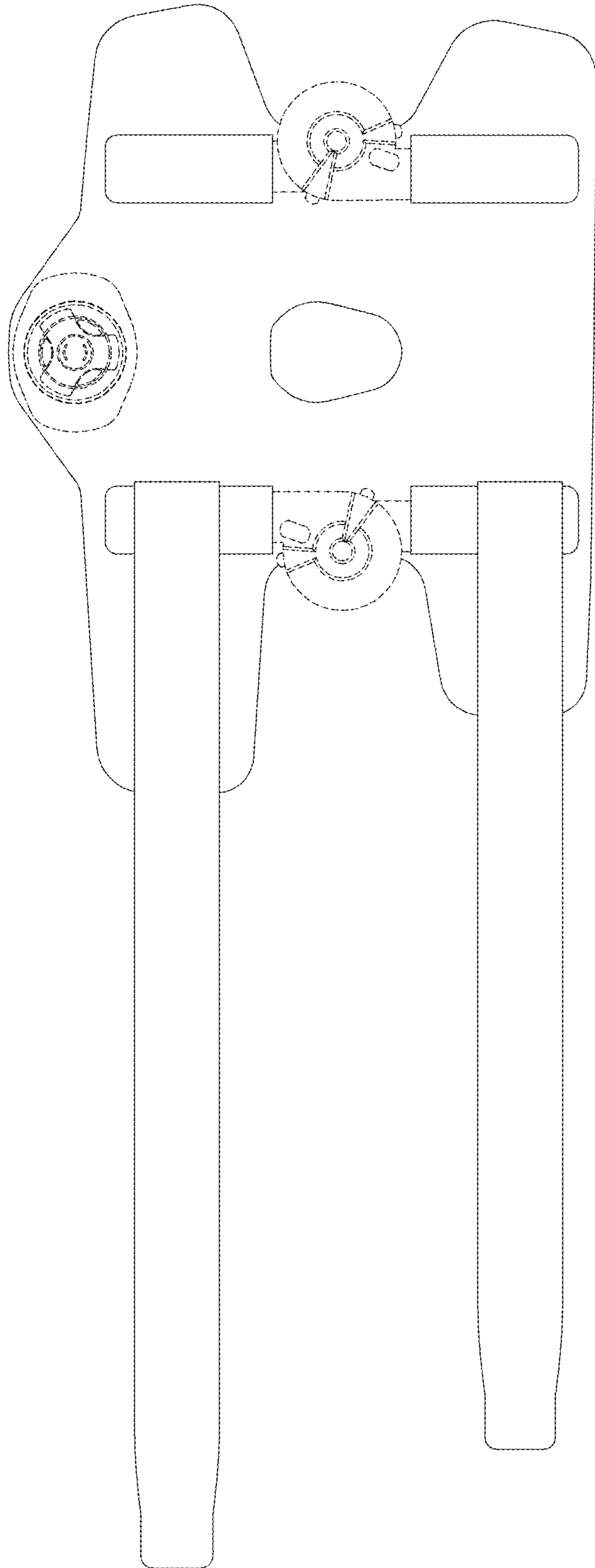


FIG. 12

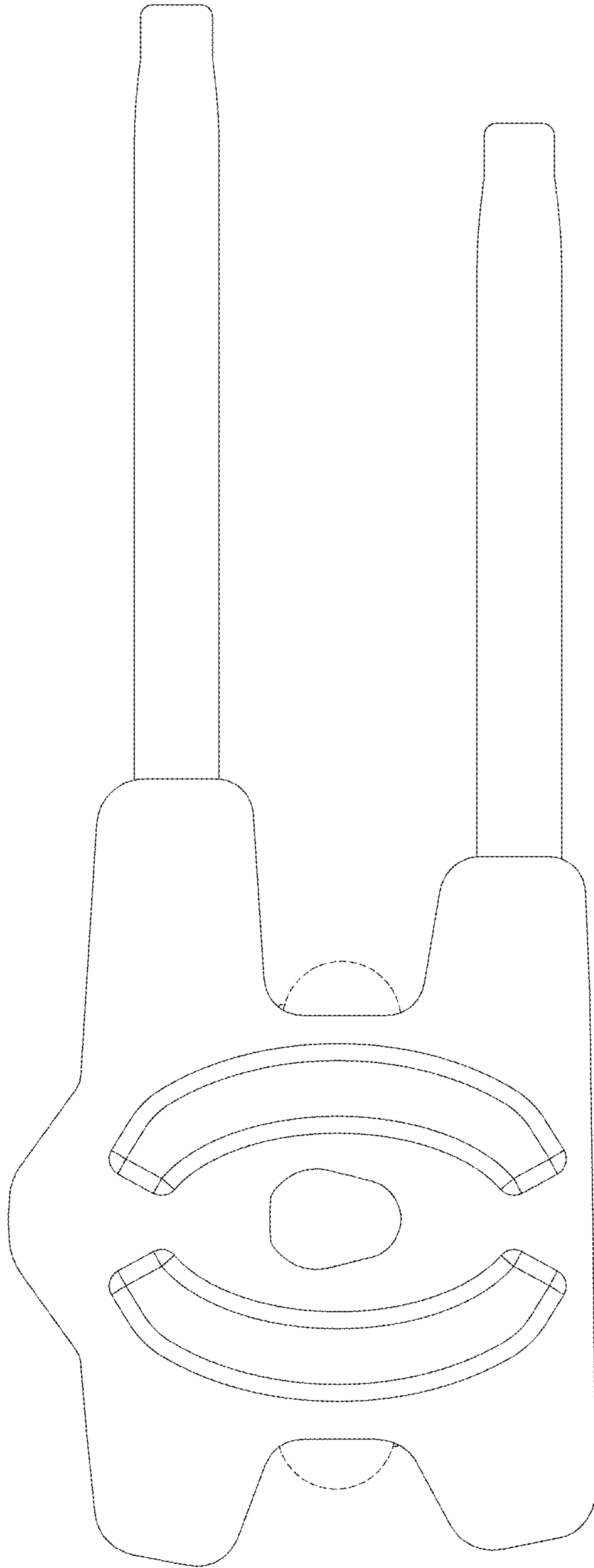


FIG. 13

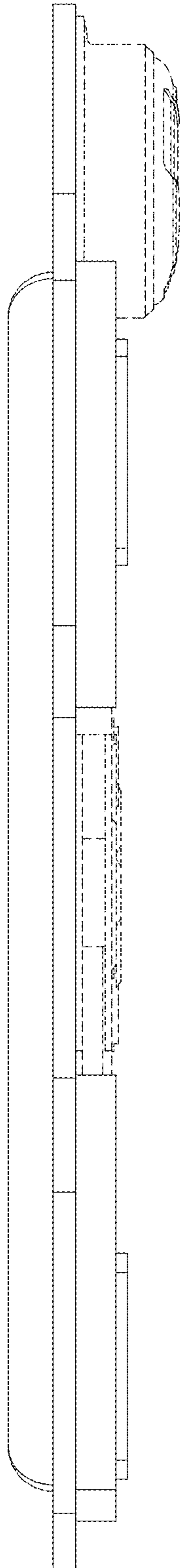


FIG. 14

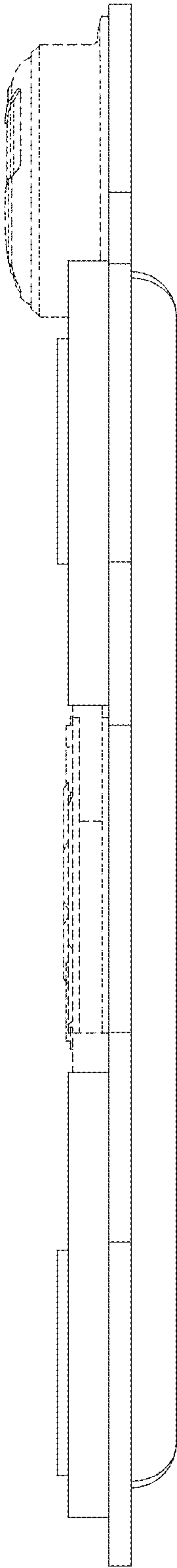


FIG. 15

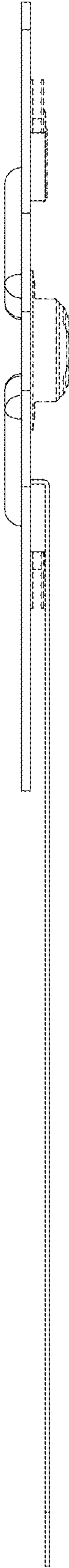


FIG. 16

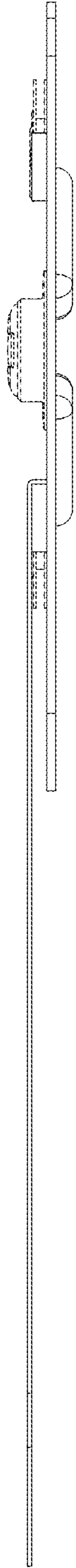


FIG. 17

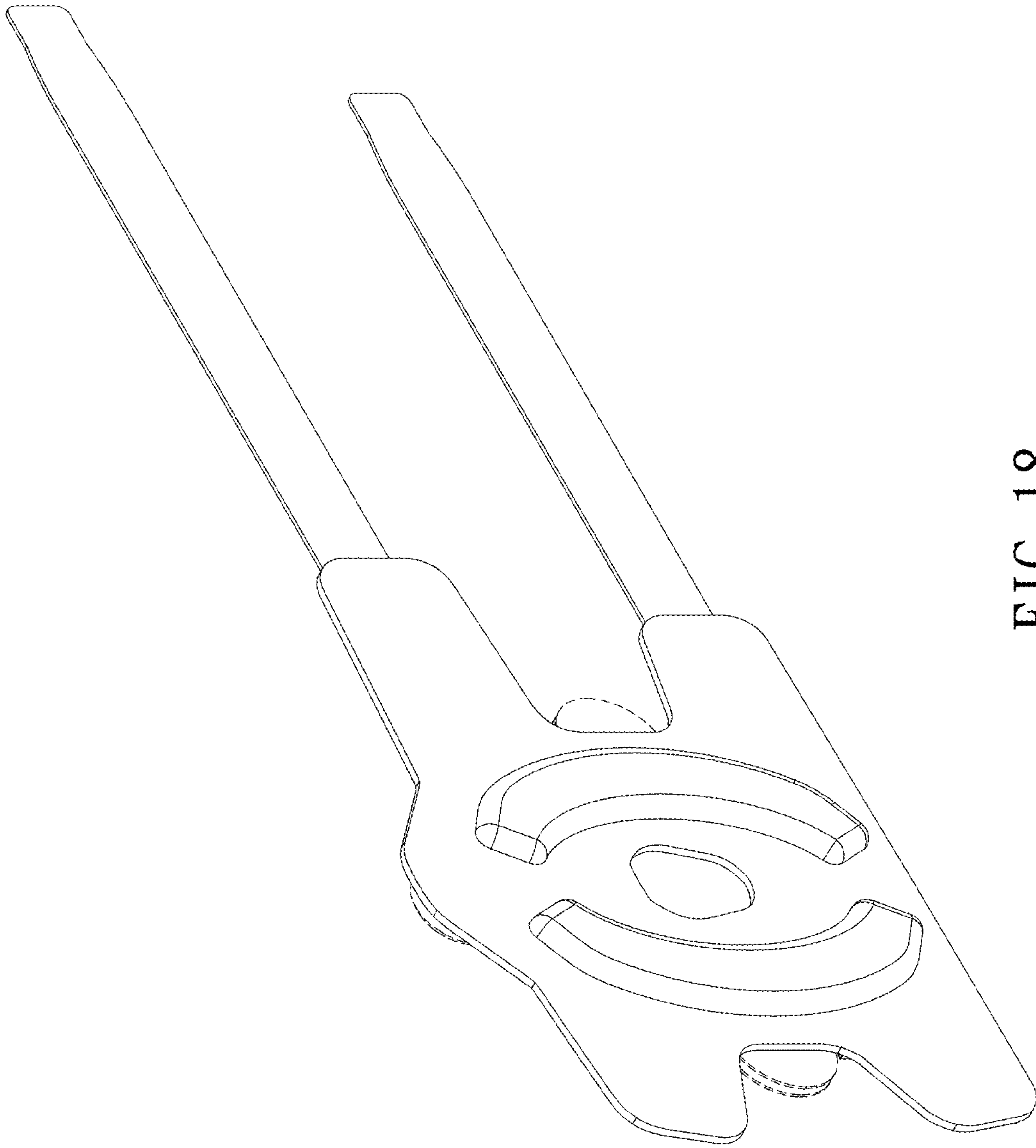


FIG. 18

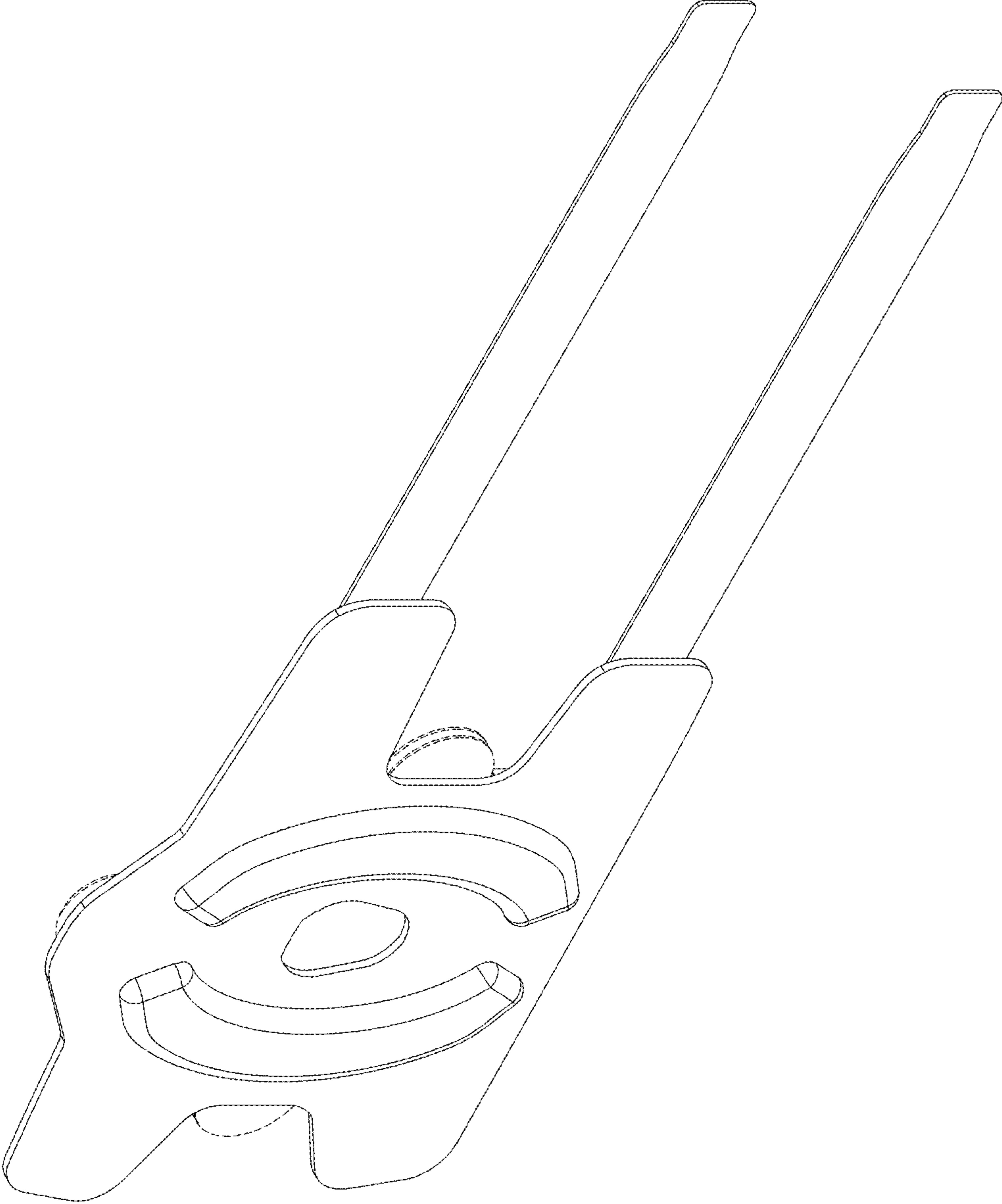


FIG. 19

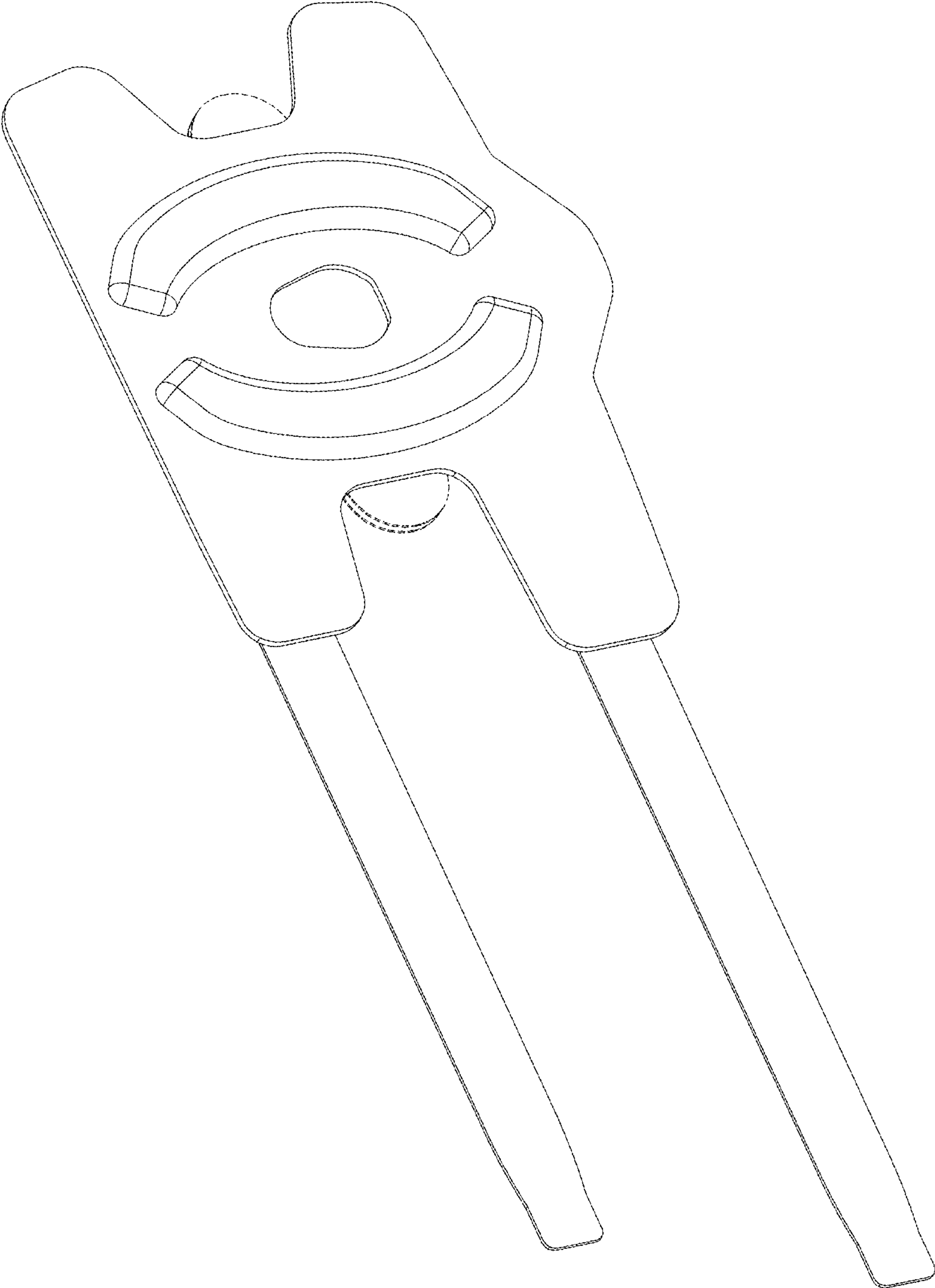


FIG. 20