



US00D952869S

(12) **United States Design Patent** (10) **Patent No.:** **US D952,869 S**  
**Shingu** (45) **Date of Patent:** **\*\* May 24, 2022**

(54) **MOVEMENT AUXILIARY TOOL**

2002/5058; A61F 2002/5064; A61F 2/52;  
A61F 2002/526; A61F 2/54; A61F 2/58;  
A61F

(71) Applicant: **CYBERDYNE Inc.**, Ibaraki (JP)

(Continued)

(72) Inventor: **Masahiro Shingu**, Ibaraki (JP)

(56) **References Cited**

(73) Assignee: **CYBERDYNE Inc.**, Ibaraki (JP)

U.S. PATENT DOCUMENTS

(\*\*) Term: **15 Years**

4,463,751 A \* 8/1984 Bledsoe ..... A61F 5/0123  
602/16

(21) Appl. No.: **29/715,832**

D658,770 S \* 5/2012 Helm ..... D24/190  
(Continued)

(22) Filed: **Dec. 4, 2019**

OTHER PUBLICATIONS

(30) **Foreign Application Priority Data**

Jun. 4, 2019 (JP) ..... 2019-012234

Cyberdyne, "HAL for single joint", first available Jan. 25, 2014.  
(<https://web.archive.org/web/20140125035312/https://www.cyberdyne.jp/english/products/SingleJoint.html>) (Year: 2014).\*

(51) **LOC (13) Cl.** ..... **24-02**

(Continued)

(52) **U.S. Cl.**

USPC ..... **D24/190**

(58) **Field of Classification Search**

USPC ..... D2/617; D3/201, 203.1, 203.6, 203.7,  
D3/304, 306, 314; D8/382; D14/205,  
D14/223; D15/199; D24/101, 102, 104,  
D24/133, 141, 155, 171, 188, 190, 193,  
D24/194, 196, 216, 224, 227, 228, 229,  
D24/135, 152, 217, 200, 231; D29/123;  
D28/76, 85

*Primary Examiner* — Lauren D McVey  
*Assistant Examiner* — Justin A Johnson

(74) *Attorney, Agent, or Firm* — Procopio, Cory,  
Hargreaves & Savitch LLP

CPC .. A41D 19/00; A41D 19/0017; A41D 19/015;  
A41D 19/0055; A61B 17/80; A61B  
2017/00292; A61B 2017/00796; A61B  
2017/00969; A61B 50/30; A61B 50/33;  
A61B 17/8033; A61B 17/8038; A61B  
17/8042; A61B 17/8047; A61B 17/8052;  
A61B 17/8057; A61B 17/8061; A61B  
17/86; A61B 17/68; A61B 17/683; A61B  
2017/564; A61B 17/808; A61B 17/8869;  
A61B 17/8019; A61B 50/34; A61F 2/00;  
A61F 2/02; A61F 2002/046; A61F 2/12;  
A61F 2/20; A61F 2/203; A61F 2/26;  
A61F 2/28; A61F 2002/2853; A61F 2/30;  
A61F 2/50; A61F 2002/5038; A61F

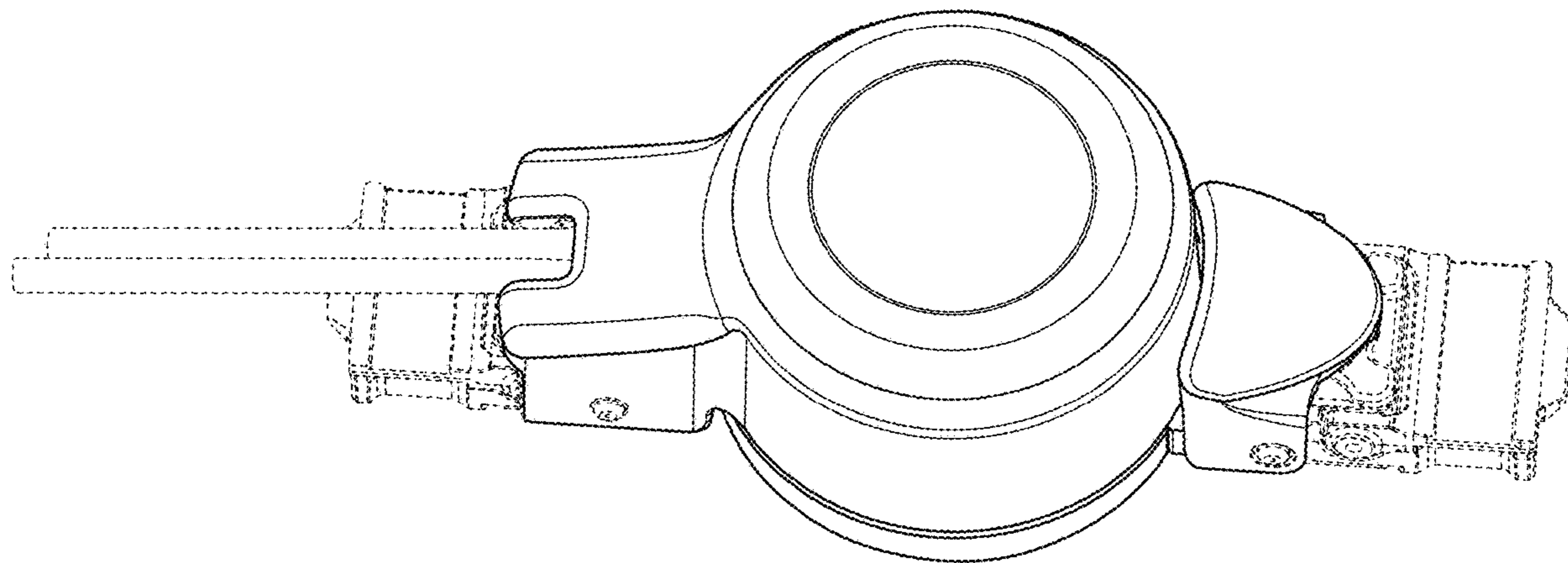
(57) **CLAIM**

The ornamental design for a movement auxiliary tool, as shown and described.

**DESCRIPTION**

FIG. 1 is a front view of a movement auxiliary tool showing our new design;  
FIG. 2 is a rear view thereof;  
FIG. 3 is a right lateral view thereof;  
FIG. 4 is a left lateral view thereof;  
FIG. 5 is a perspective thereof;  
FIG. 6 is a top view thereof; and,  
FIG. 7 is a bottom view thereof.

(Continued)



The broken lines shown in FIGS. 1-7 illustrate portions of the movement auxiliary tool and form no part of the claimed design.

A61L 27/34; A61L 274/3843; A61L 27/24; A61L 2/26; A61L 2202/24; A61K 31/765

**1 Claim, 7 Drawing Sheets**

See application file for complete search history.

**(58) Field of Classification Search**

CPC ... 2/583; A61F 2/60; A61F 2/604; A61F 2/64; A61F 2/66; A61F 2002/6614; A61F 2002/6621; A61F 2002/6628; A61F 2/82; A61F 2/86; A61F 2/88; A61F 2/885; A61F 2002/4018; A61F 2002/4022; A61F 2002/4029; A61F 2002/4033; A61F 2002/4037; A61F 2002/4044; A61F 2002/4051; A61F 2/4059; A61F 2002/4066; A61F 2002/407; A61F 2002/4074; A61F 2002/4077; A61F 2/4081; A61F 2002/4085; A61F 2002/4088; A61F 2002/4092; A61F 2002/4096; A61F 2/442; A61F 2/4425; A61F 2/4455; A61F 2/4465; A61F 2/447; A61F 2/4611; A61F 2002/2817; A61F 2002/2835; A61F 2002/3083; A61F 2002/30092; A61F 2002/30523; A61F 2002/30538; A61F 2/30771; A61F 2/30942; A61F 2002/30617; A61F 2002/30774; A61F 2002/30784; A61F 2002/30892; A61F 2002/30828; A61F 2002/3008; A61F 2002/30428; A61F 2002/30471; A61F 2002/30507; A61F 2002/30904; A61F 2002/30421; A61F 2002/443; A61F 2/30749; A61F 2002/30332; A61F 2002/30336; A61F 2002/30349; A61F 2002/30367; A61F 2002/305; A61F 2002/30878; A61N 1/05; A61N 1/0551; A61N 1/20; A61N 1/36071; A61M 16/04; A61L 27/58;

(56)

**References Cited**

U.S. PATENT DOCUMENTS

D726,925 S \* 4/2015 Fraser ..... D24/190  
 D752,960 S \* 4/2016 Fujioka ..... D8/382  
 D773,673 S \* 12/2016 Wen ..... D24/190  
 D774,198 S \* 12/2016 Farris ..... D24/188  
 D784,547 S \* 4/2017 Kwon ..... A61F 2/76  
 D24/190  
 D835,289 S \* 12/2018 Frost ..... A61F 2/64  
 D24/190  
 D889,672 S \* 7/2020 Takama ..... A61F 5/0123  
 D24/190  
 2010/0152865 A1 \* 6/2010 Jonsson ..... A61F 2/76  
 623/53  
 2016/0136031 A1 \* 5/2016 Cestari Soto ..... B25J 17/00  
 74/89.23  
 2016/0374836 A1 \* 12/2016 Errico ..... A61F 2/64  
 24/592.1

OTHER PUBLICATIONS

Maxon, "Exoskeleton joint actuator", first available Oct. 13, 2017. (<https://www.maxongroup.us/maxon/view/news/Exoskeleton-joint-actuator>) (Year: 2017).\*

Youtube, "Brace Direct ROM Post-Op Rehabilitation Elbow Brace", first available Apr. 7, 2020. (<https://www.youtube.com/watch?v=ZrihUE7k1Sk&t=1s>) (Year: 2020).\*

Kustora, "Adjustable Elbow Joint Fixed Brace Corrective Orthosis", first available May 14, 2020. ([https://kustora.com/products/adjustable-elbow-joint-fixed-brace-corrective-orthosis?\\_pos=1&\\_sid=1572fa5c4&\\_ss=r](https://kustora.com/products/adjustable-elbow-joint-fixed-brace-corrective-orthosis?_pos=1&_sid=1572fa5c4&_ss=r)) (Year: 2020).\*

\* cited by examiner

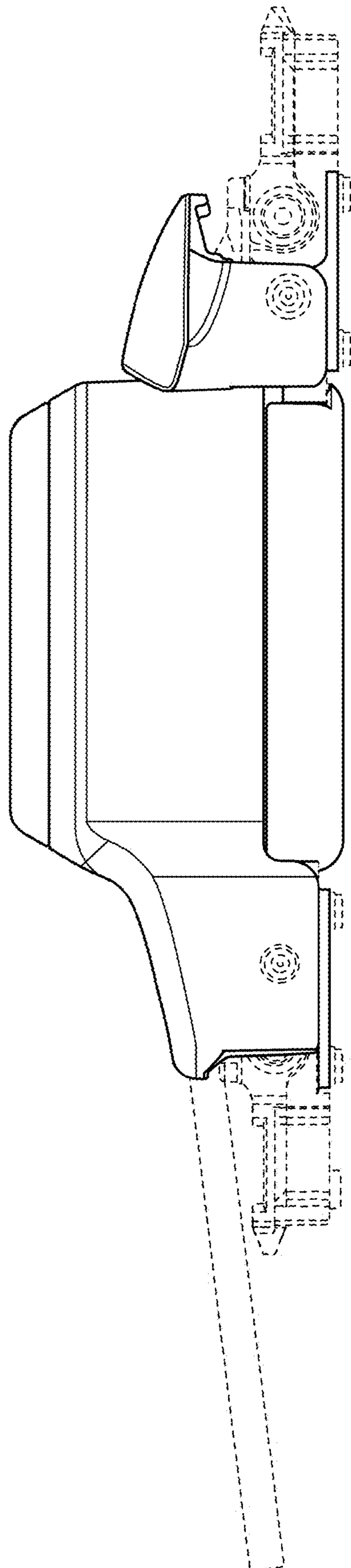


FIG. 1

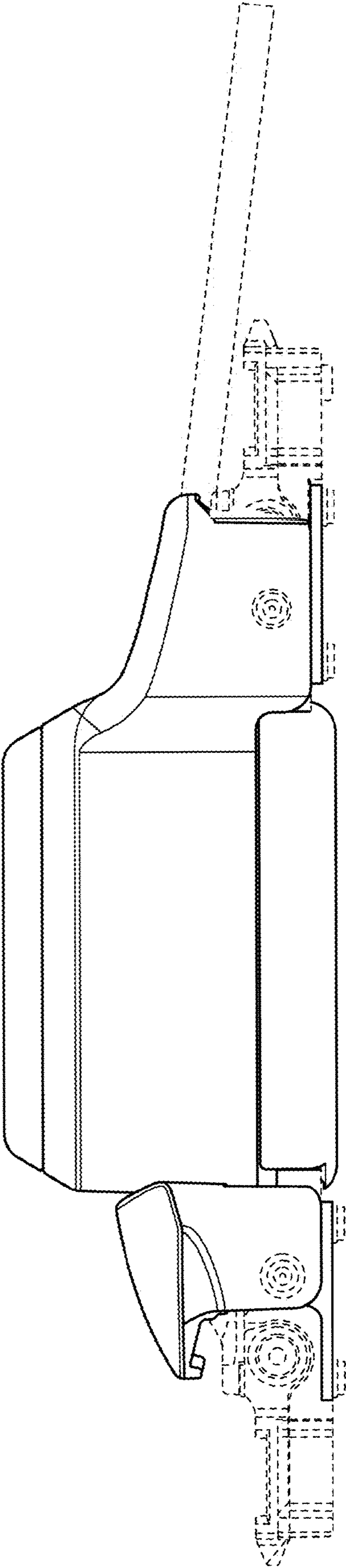


FIG. 2

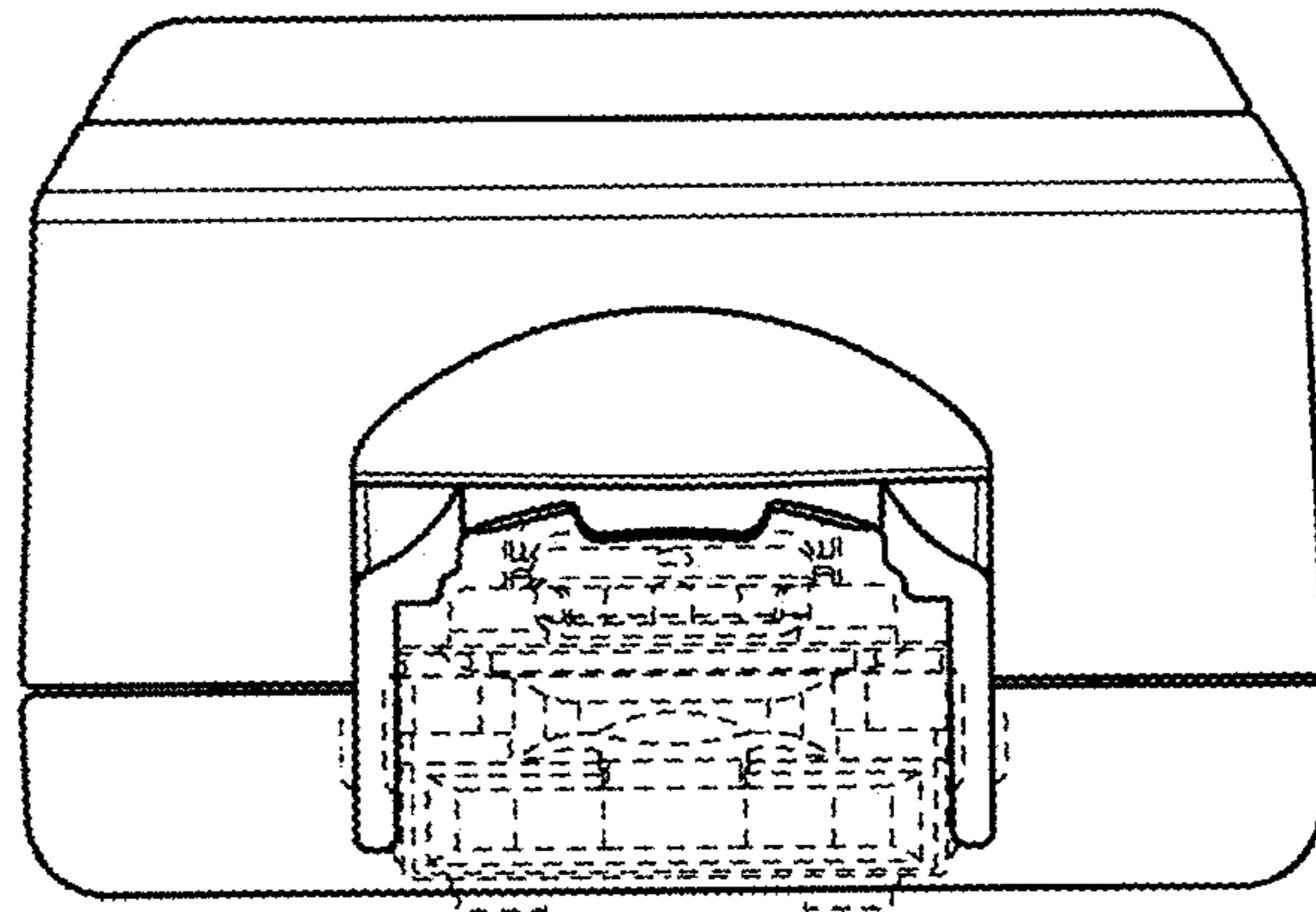


FIG. 3

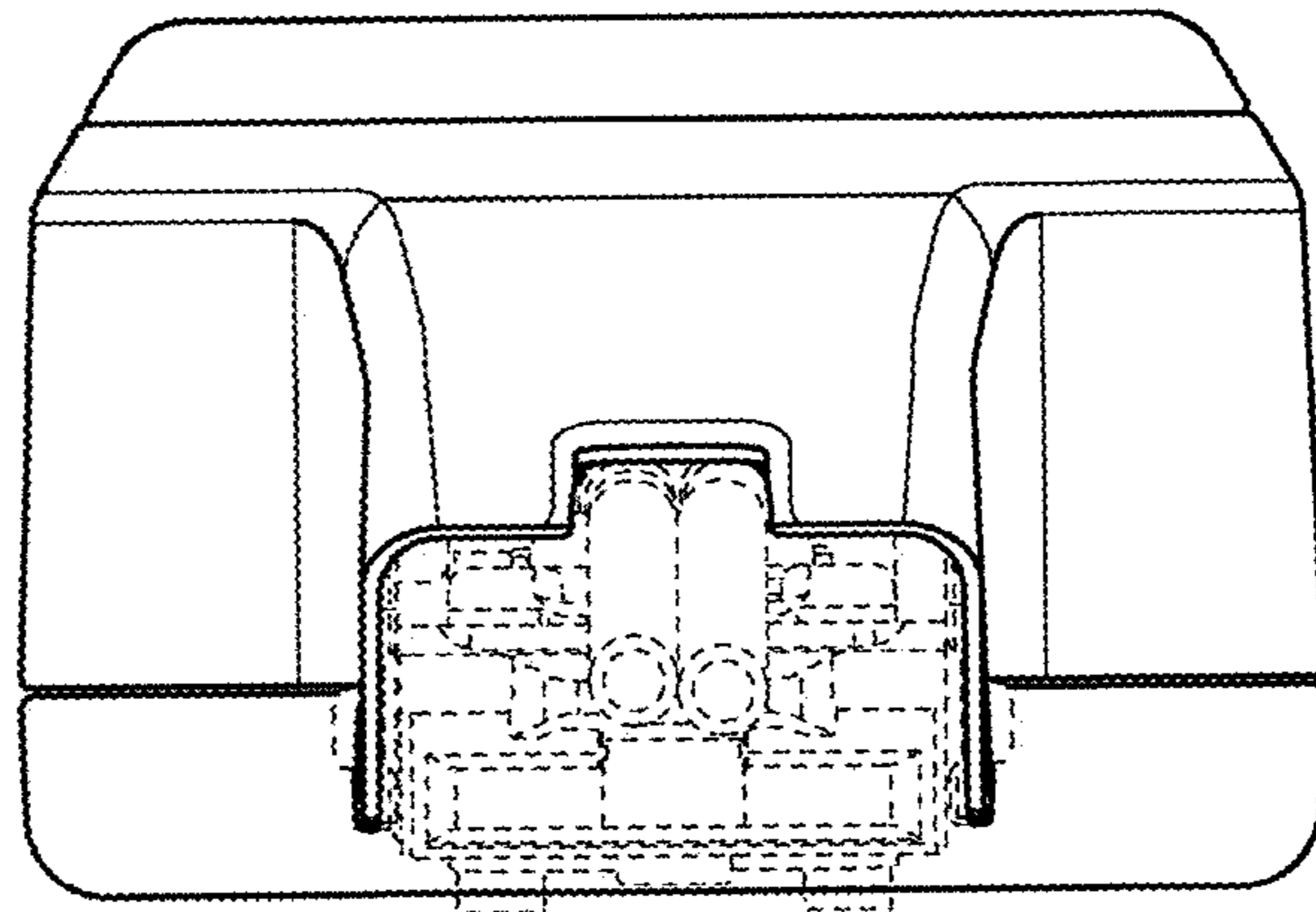


FIG. 4

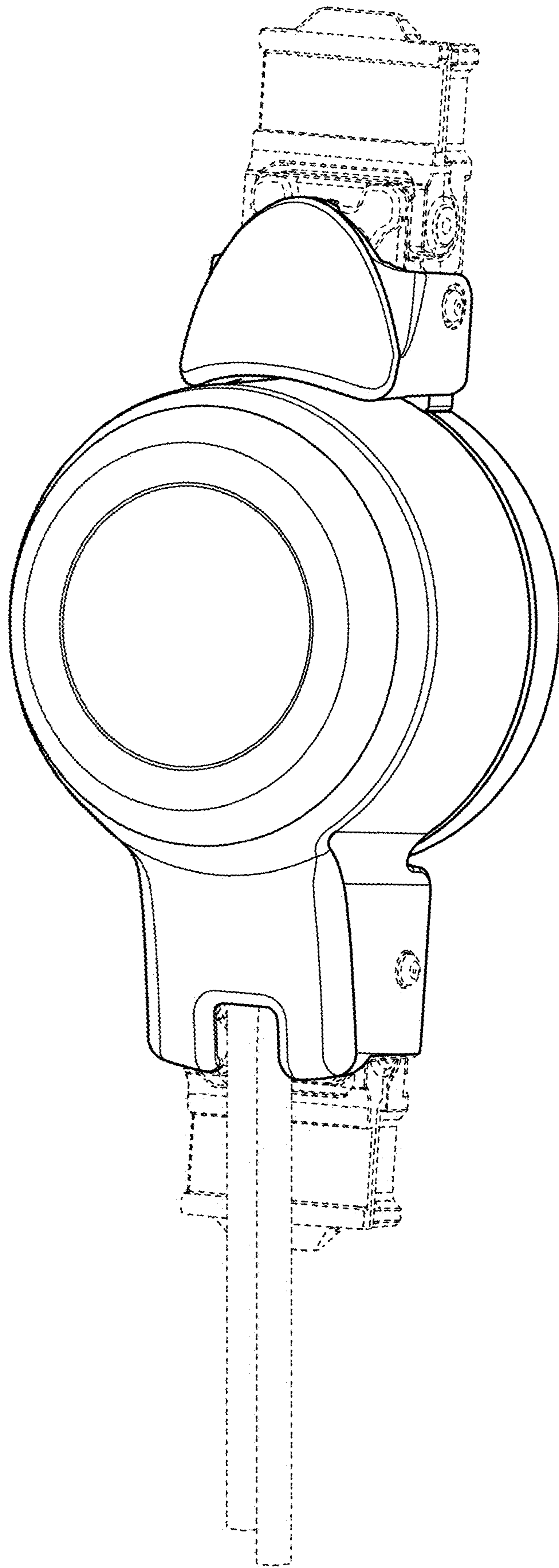


FIG. 5

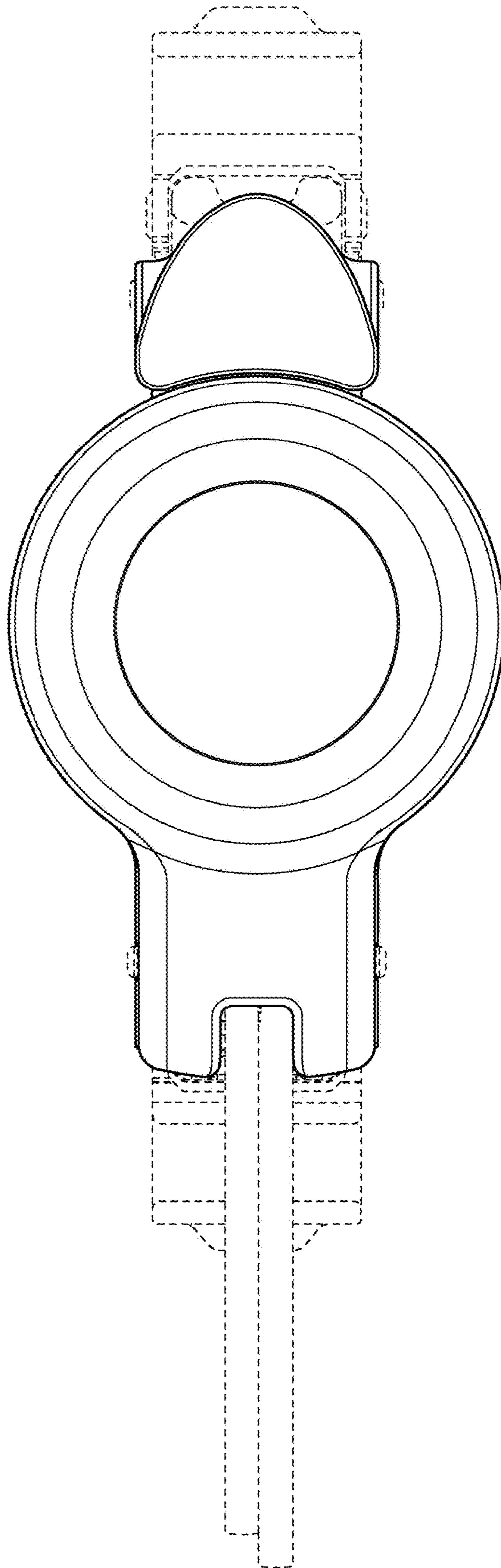


FIG. 6



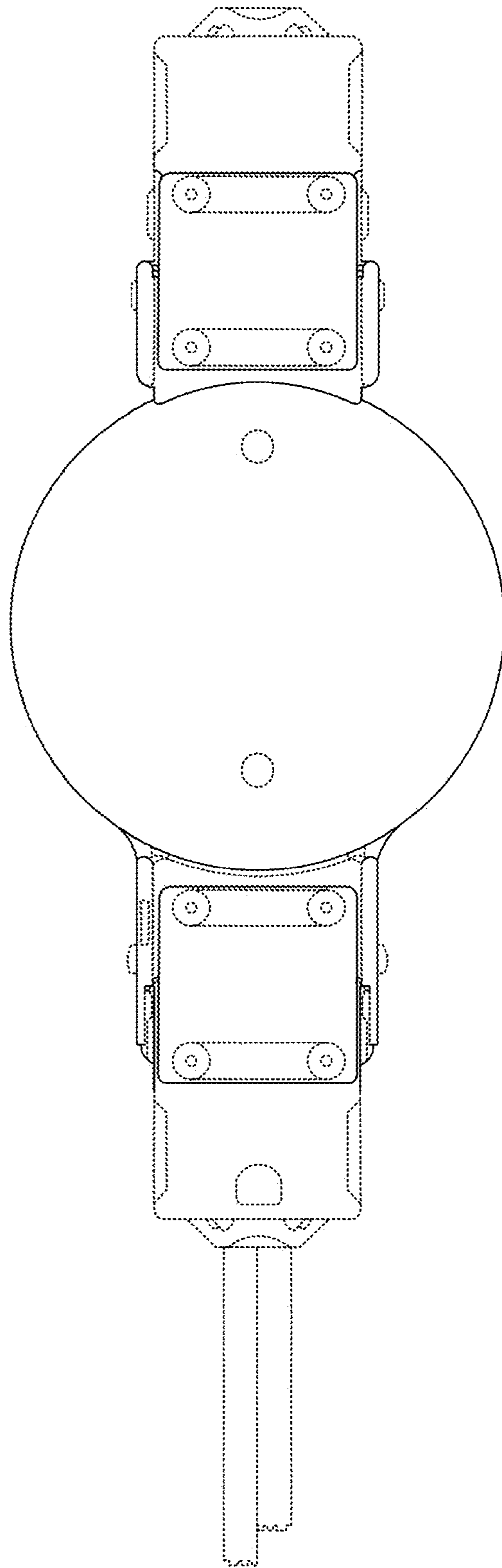


FIG. 7