



US00D952863S

(12) **United States Design Patent** (10) **Patent No.:** **US D952,863 S**
Rodriguez et al. (45) **Date of Patent:** **** May 24, 2022**

(54) **MONITORING GARMENT**
(71) Applicant: **Bloomer Health Tech Inc.**, Cambridge, MA (US)
(72) Inventors: **Alicia Chong Rodriguez**, Somerville, MA (US); **Aceil Halaby**, Cambridge, MA (US); **Cindy Eveleigh**, Fort Myers, FL (US)
(73) Assignee: **Bloomer Health Tech Inc.**, Cambridge, MA (US)

8,192,863 B2 6/2012 Best et al.
8,664,571 B2 3/2014 Macher et al.
9,343,716 B2 5/2016 Rothkopf et al.
9,564,761 B2 2/2017 Hopfer, III et al.
9,735,443 B2 8/2017 Takahashi et al.
9,947,905 B2 4/2018 Keates
D825,060 S * 8/2018 Finch D24/167
10,090,556 B2 10/2018 Rho et al.
10,381,607 B2 8/2019 Shin et al.
10,461,306 B2 10/2019 Marmaropoulos et al.
D928,330 S * 8/2021 Itagaki D24/187

(Continued)

(**) Term: **15 Years**
(21) Appl. No.: **29/754,227**
(22) Filed: **Oct. 8, 2020**
(51) **LOC (13) Cl.** **24-02**
(52) **U.S. Cl.**
USPC **D24/186**
(58) **Field of Classification Search**
USPC D24/107, 164–169, 185–187; D10/98, D10/70, 75, 52, 57; D14/344; D2/706
CPC ... A61B 5/6804; A61B 5/6814; A61B 5/6819; A61B 5/6823; A61B 5/6824; A61B 5/6831; A61B 5/6833; A61B 5/6838; A61B 5/0011; A61B 5/050022; A61B 5/02411; A61B 5/0444; A61B 5/0448; A61B 5/4356; A61B 5/4362; A61B 8/02; A61B 8/08; A61B 8/0866; A61B 8/4227; A61B 8/4281; A61B 8/488; A61F 5/028; A61F 5/048; A61F 5/02438; A61F 5/6803
See application file for complete search history.

FOREIGN PATENT DOCUMENTS

CN 208690415 U 4/2019

Primary Examiner — Anhdao Doan

(74) Attorney, Agent, or Firm — Caldwell Intellectual Property Law; Katherine Rubino

(57) **CLAIM**

What is claimed is the ornamental design for a monitoring garment, as shown and described.

DESCRIPTION

FIG. 1 is a back perspective view of a monitoring garment; FIG. 2 is a back view thereof; FIG. 3 is a front view thereof; FIG. 4 is a right side view thereof; FIG. 5 is a left side view thereof; FIG. 6 is a bottom view thereof; FIG. 7 is a top view thereof; FIG. 8 is an environmental front view thereof attached to a brassiere; FIG. 9 is an environmental front view thereof attached to a shirt; and, FIG. 10 is an environmental back view thereof attached to a brassiere.

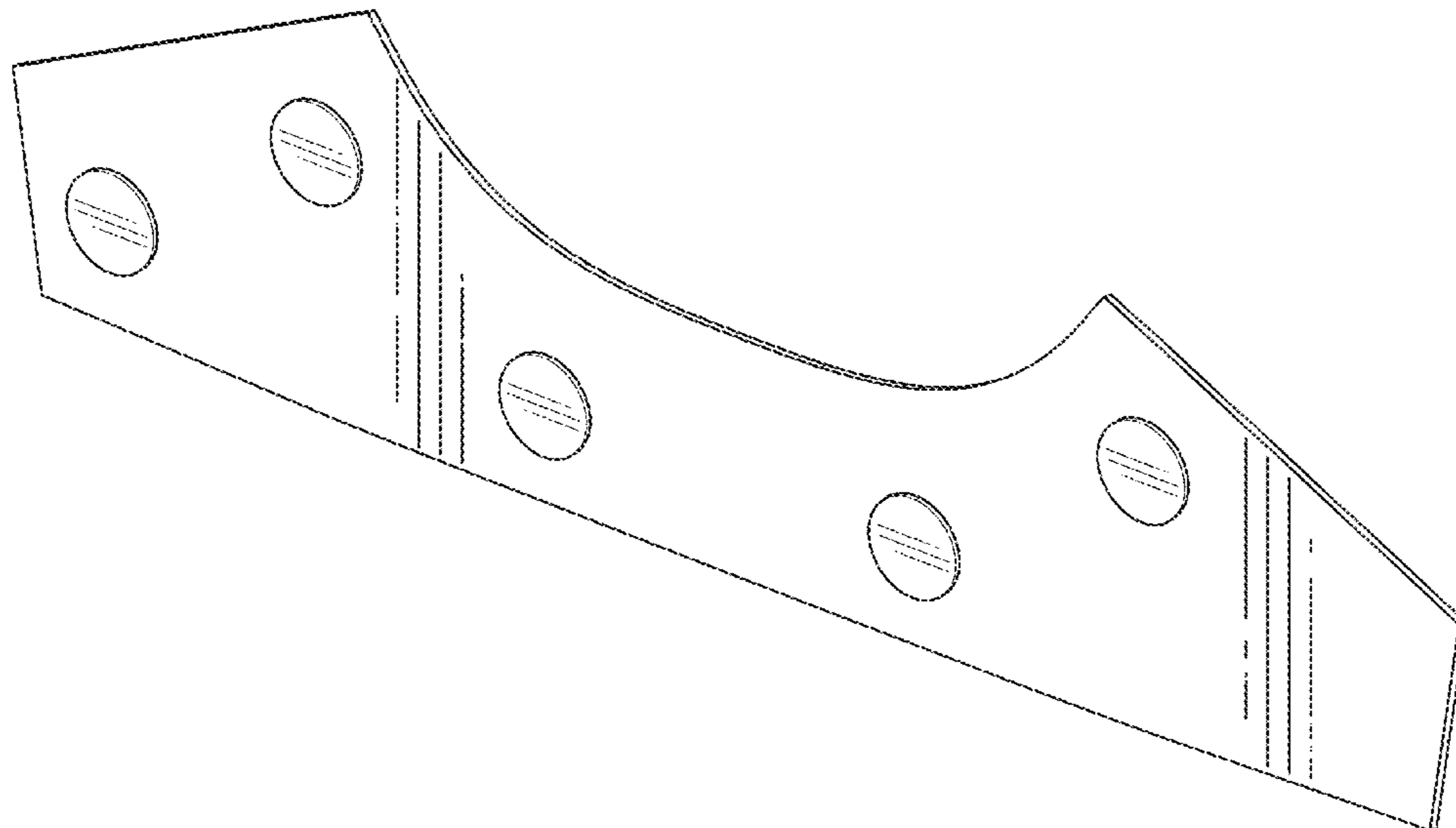
The broken lines represent environmental subject matter and form no part of the claimed design.

1 Claim, 8 Drawing Sheets

(56) **References Cited**

U.S. PATENT DOCUMENTS

D281,012 S * 10/1985 Beck D24/168
D313,652 S * 1/1991 Lavine D24/168
D353,202 S * 12/1994 Hong D24/164
D451,604 S * 12/2001 Kasabach D24/186



(56)

References Cited

U.S. PATENT DOCUMENTS

D935,617	S	*	11/2021	Vardi	D24/167
2016/0301044	A1		10/2016	Huang		
2018/0226629	A1		8/2018	Hiroki et al.		
2018/0243549	A1*		8/2018	Hill	A41D 13/1245
2018/0249767	A1*		9/2018	Begrache	A61B 5/25
2018/0317845	A1*		11/2018	Chong Rodriguez	.	A61B 5/683
2019/0090350	A1		3/2019	Kumar		
2020/0127245	A1		4/2020	Fan et al.		
2020/0128670	A1*		4/2020	Chong Rodriguez	
						H05K 1/0272

* cited by examiner

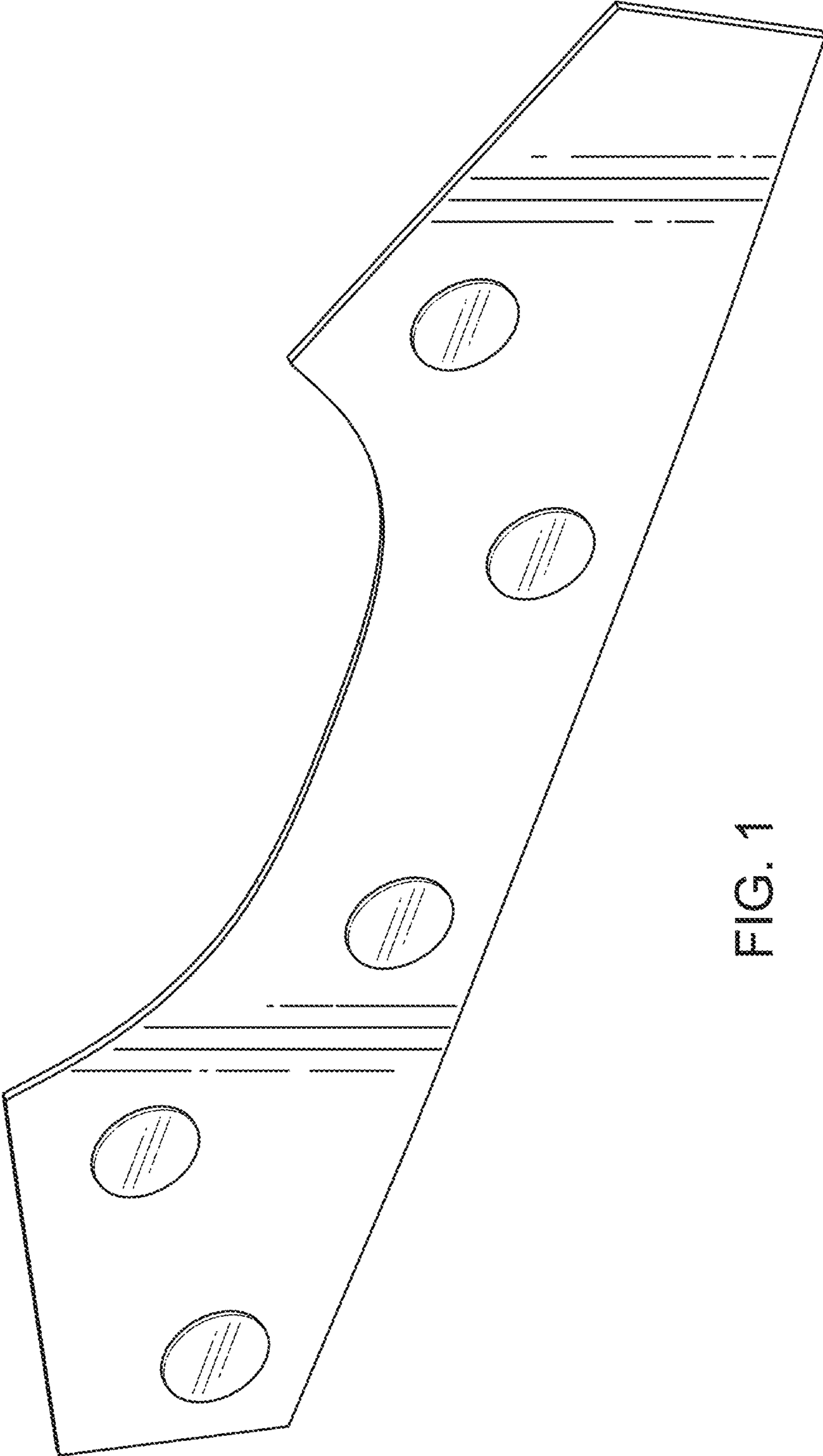


FIG. 1

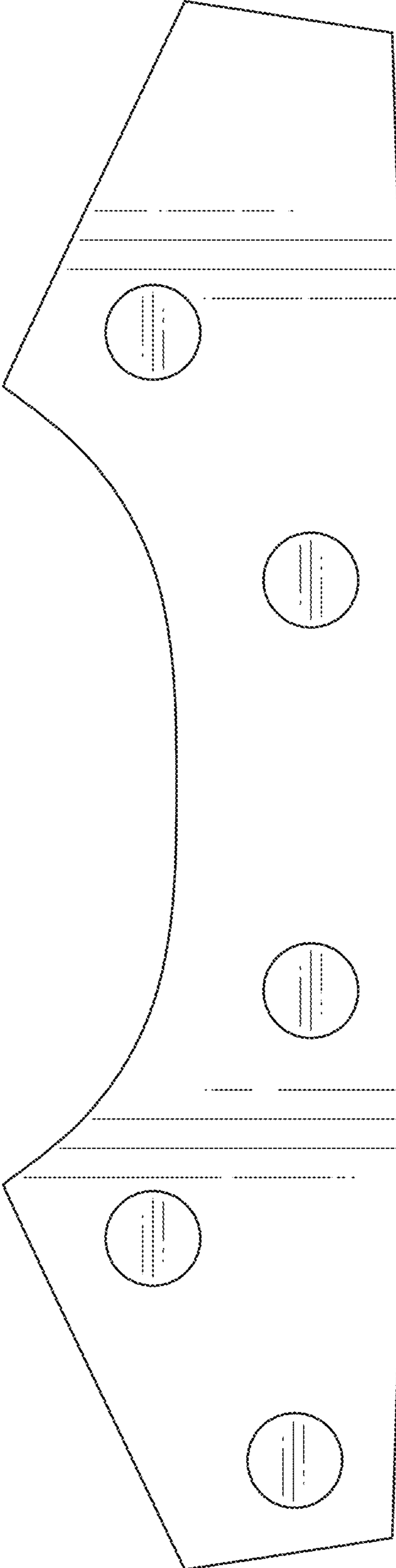


FIG. 2

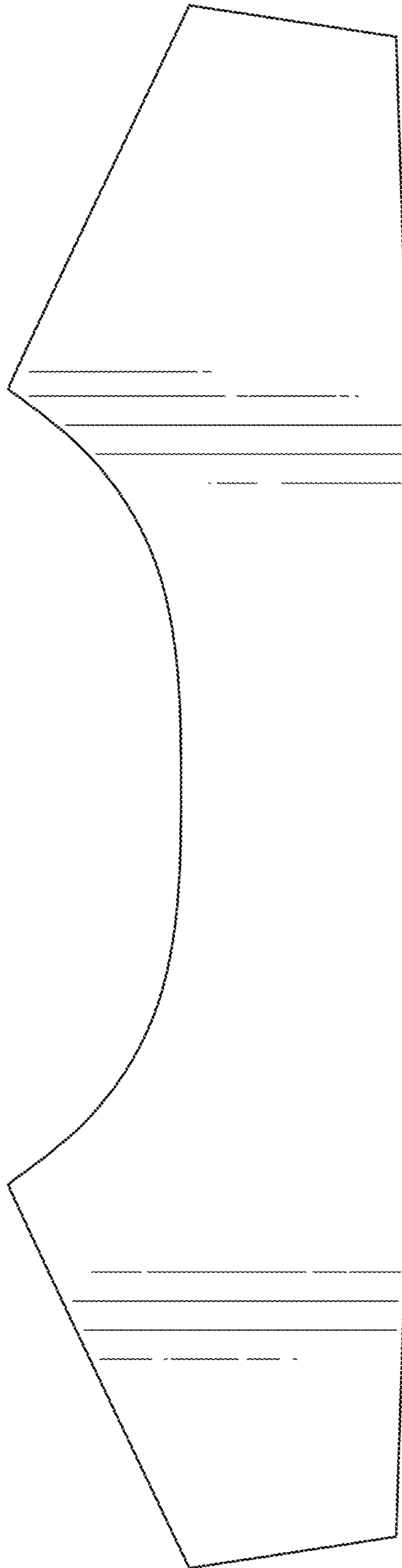


FIG. 3

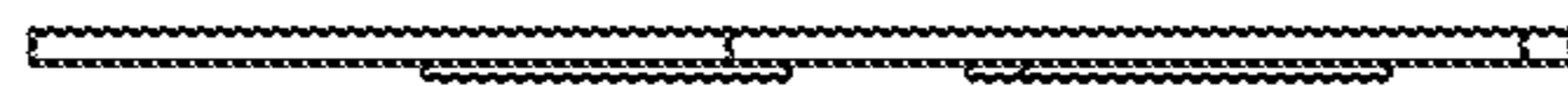


FIG. 5

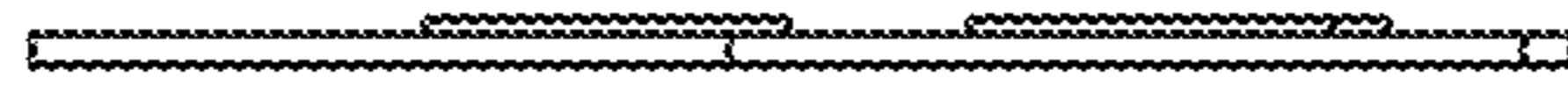


FIG. 4



FIG. 6

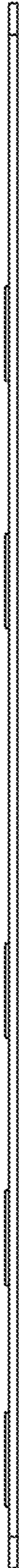


FIG. 7

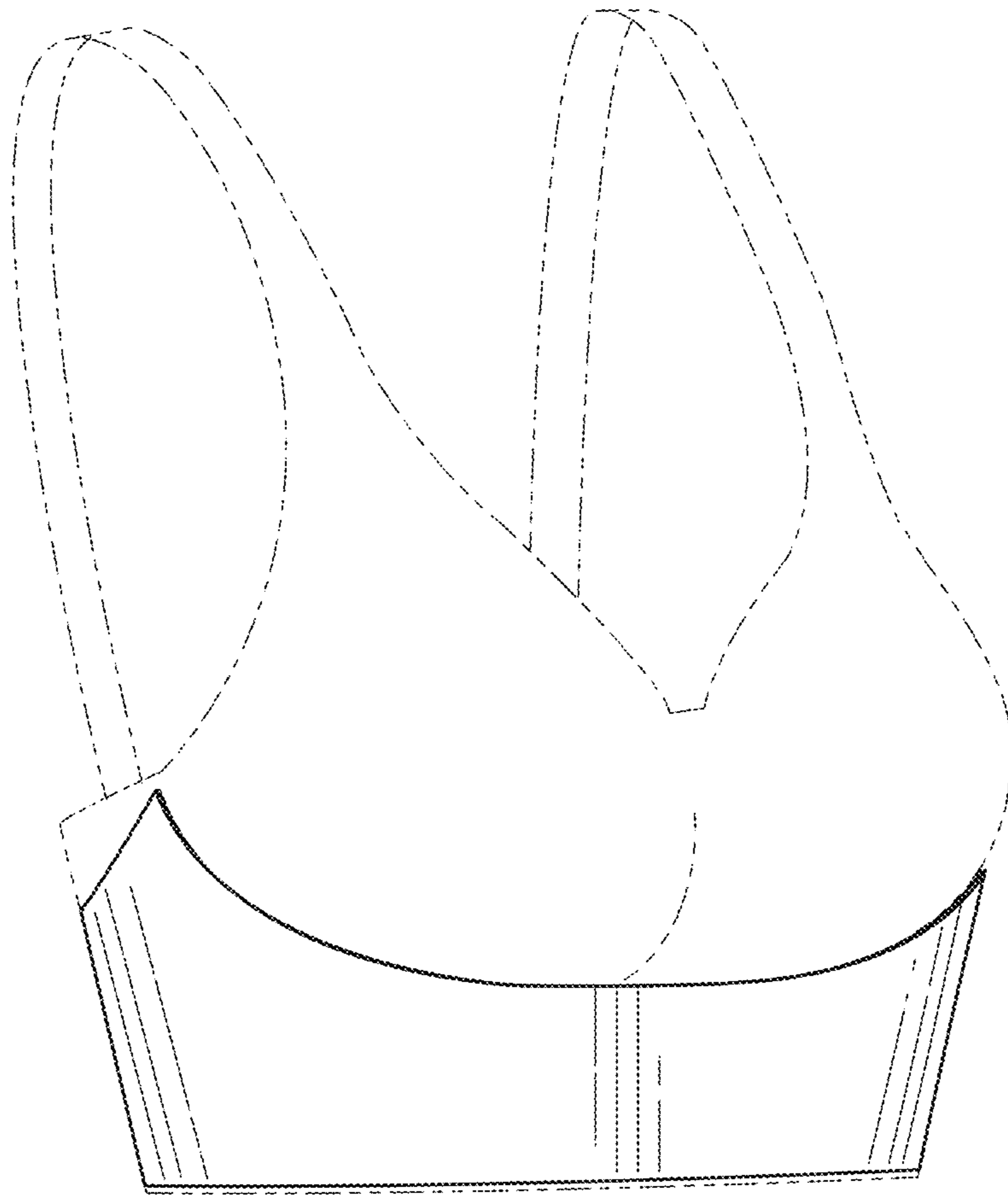


FIG. 8

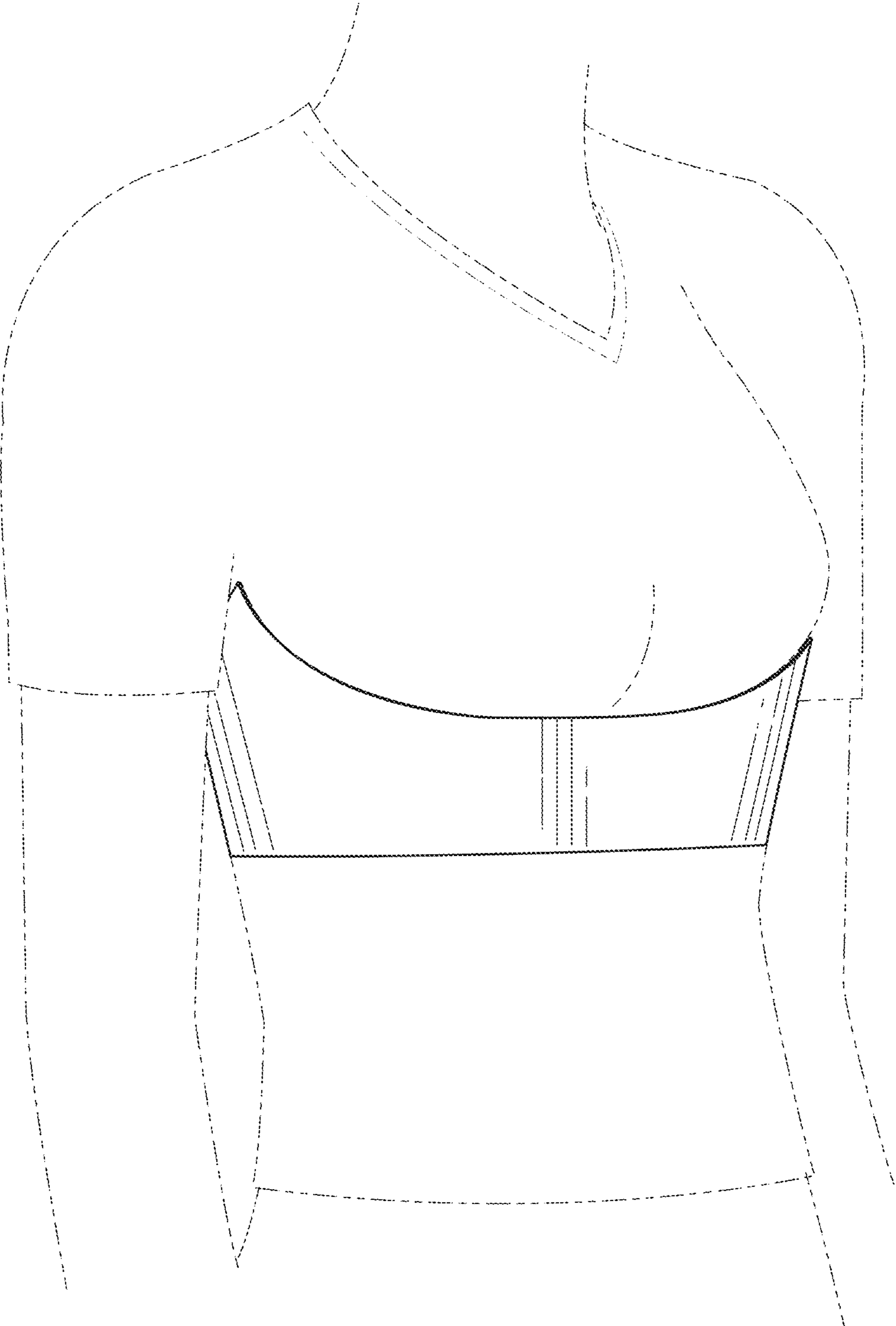


FIG. 9

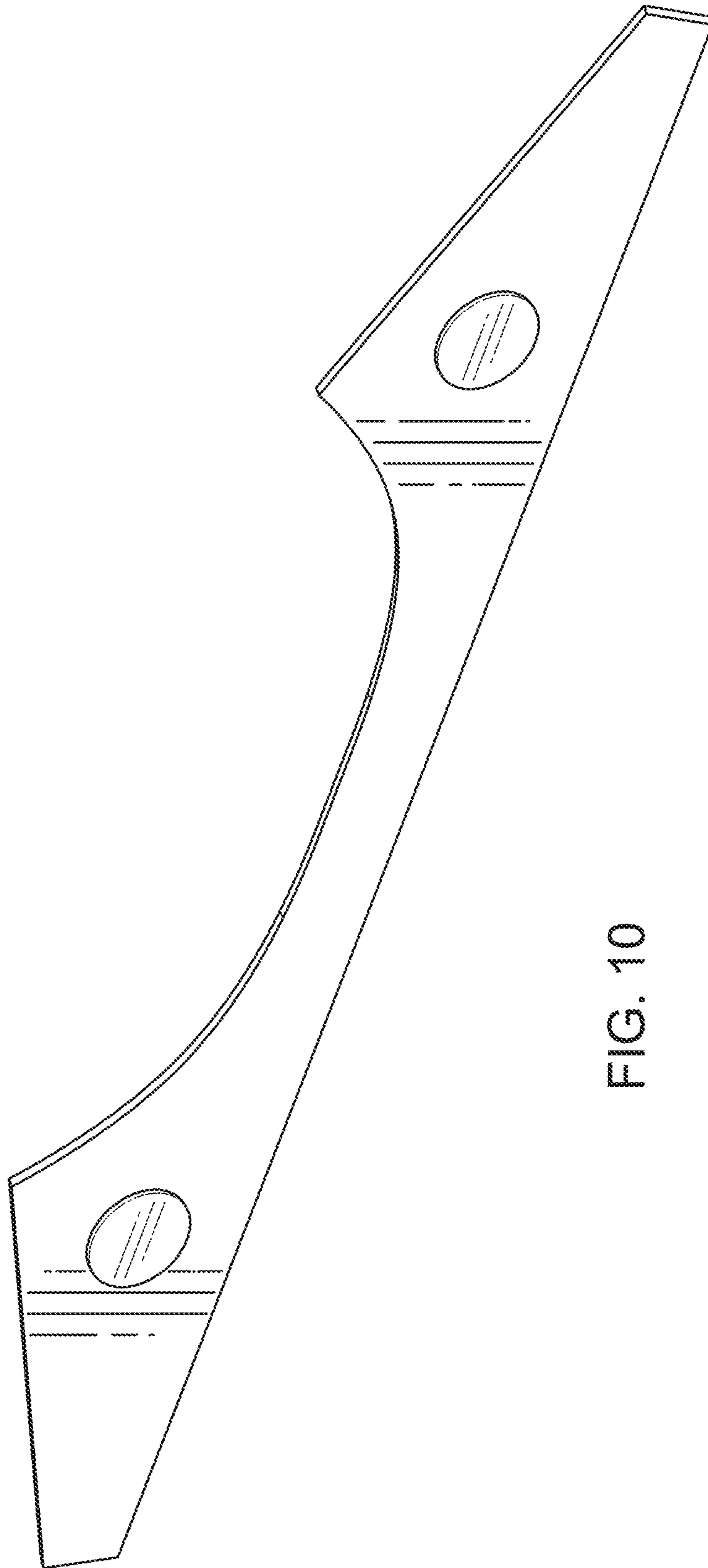


FIG. 10