



US00D952860S

(12) **United States Design Patent**
Lin et al.

(10) **Patent No.:** **US D952,860 S**
(45) **Date of Patent:** **** May 24, 2022**

- (54) **BLOOD GLUCOSE METER**
- (71) Applicant: **eTouch Medical Inc.**, New Taipei (TW)
- (72) Inventors: **Jeng-Tay Lin**, New Taipei (TW);
Sheng-Jie Luo, New Taipei (TW)
- (73) Assignee: **eTouch Medical Inc.**, New Taipei (TW)
- (**) Term: **15 Years**
- (21) Appl. No.: **29/755,334**
- (22) Filed: **Oct. 20, 2020**
- (51) **LOC (13) Cl.** **24-01**
- (52) **U.S. Cl.**
USPC **D24/169**
- (58) **Field of Classification Search**
USPC D24/107, 164, 165-169, 186, 187, 112,
D24/114, 216; D10/81, 98; D14/341,
D14/344
CPC A61B 5/14503; A61B 5/14532; A61B
5/14865; A61B 2560/0412; A61B
2560/0443; A61B 2560/0462; A61B
25/0206; A61B 25/0631
See application file for complete search history.

- D626,651 S * 11/2010 Brauer D24/169
- D663,421 S * 7/2012 Steiner D24/169
- D670,811 S * 11/2012 Fukuzawa D24/169
- D791,952 S * 7/2017 Florescu D24/169

FOREIGN PATENT DOCUMENTS

CN 201930095183.3 * 9/2019

* cited by examiner

Primary Examiner — Anhdao Doan

(74) *Attorney, Agent, or Firm* — Lin & Associates
Intellectual Property, Inc.

(57) **CLAIM**

The ornamental design for a blood glucose meter, as shown and described.

DESCRIPTION

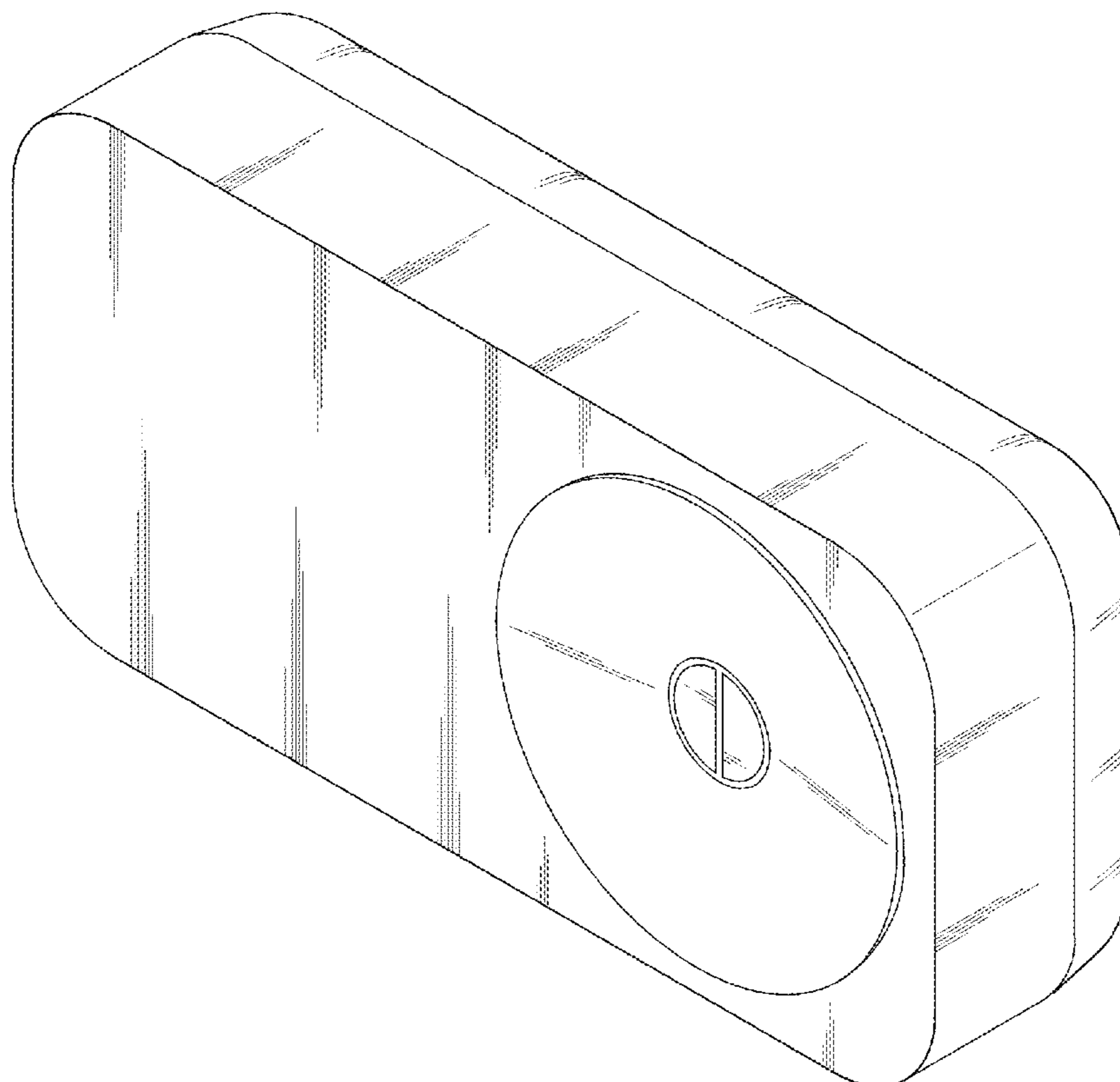
FIG. 1 is a perspective view of a blood glucose meter showing our new design;
FIG. 2 is a front elevational view thereof;
FIG. 3 is a rear elevational view thereof;
FIG. 4 is a left elevational view thereof;
FIG. 5 is a right elevational view thereof;
FIG. 6 is a top view thereof; and,
FIG. 7 is a bottom view thereof.

1 Claim, 7 Drawing Sheets

(56) **References Cited**

U.S. PATENT DOCUMENTS

- 5,507,288 A * 4/1996 Bocker A61B 5/14532
600/322
- D590,063 S * 4/2009 Garthoff D24/186



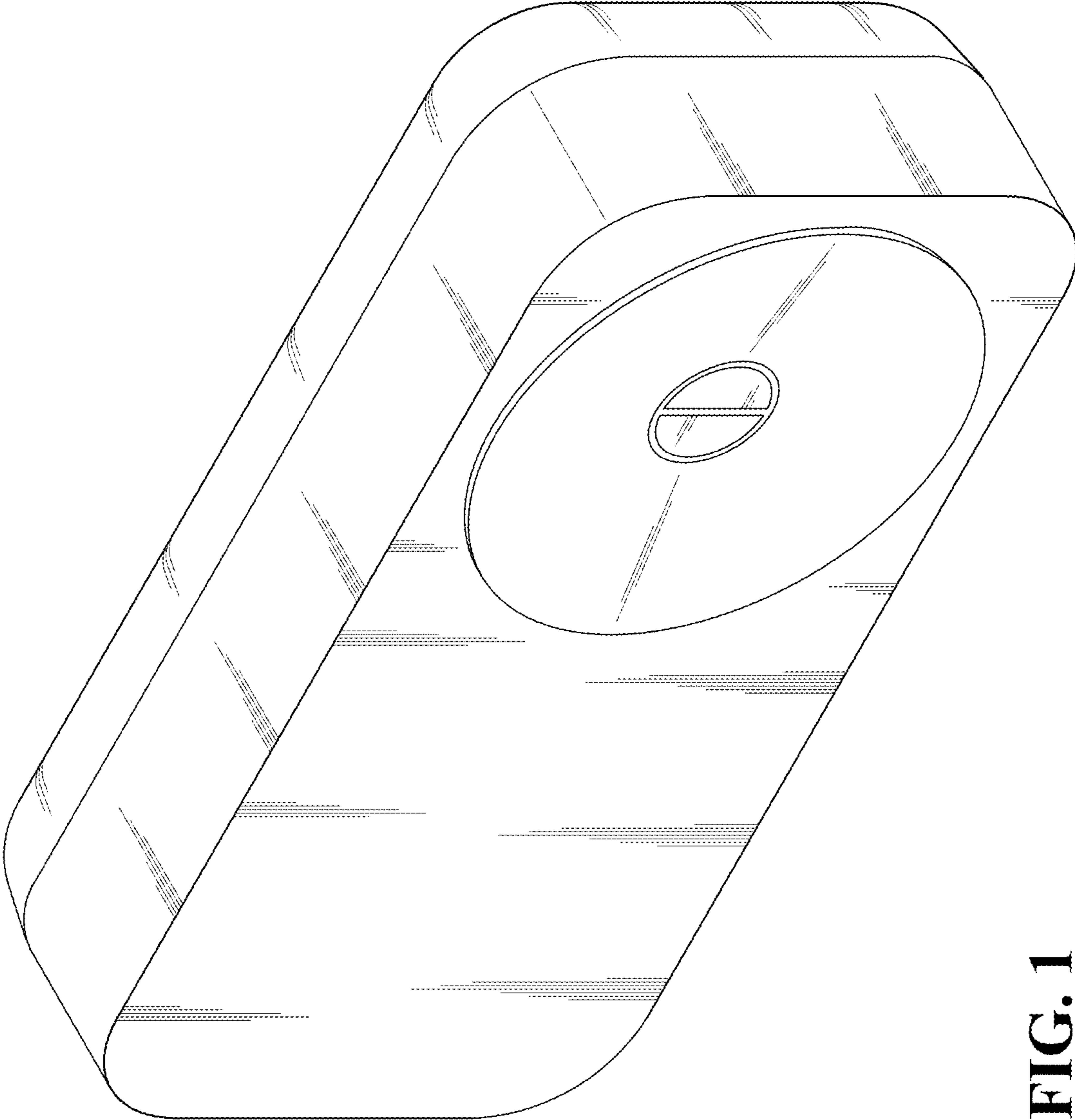


FIG. 1

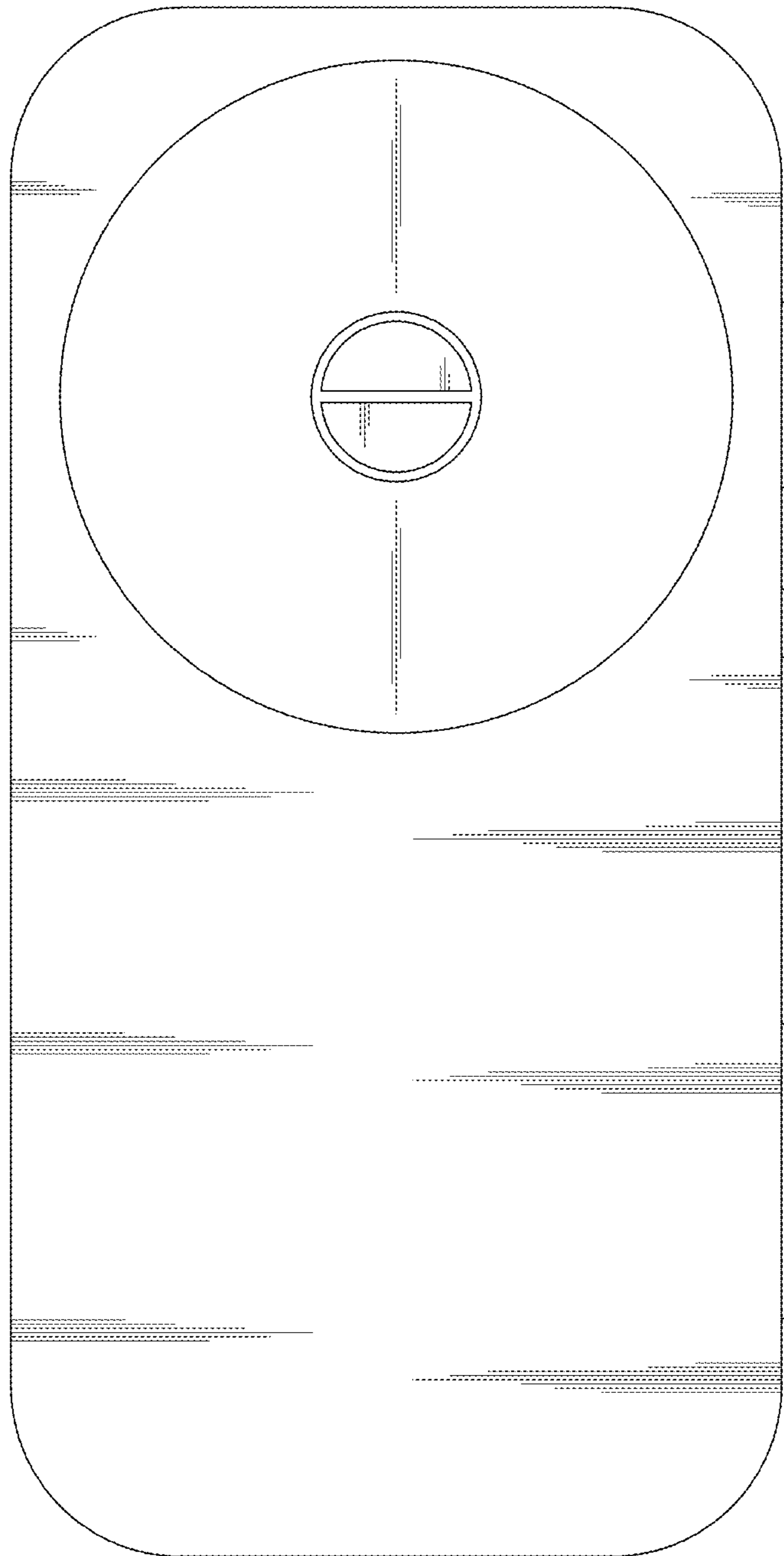


FIG. 2

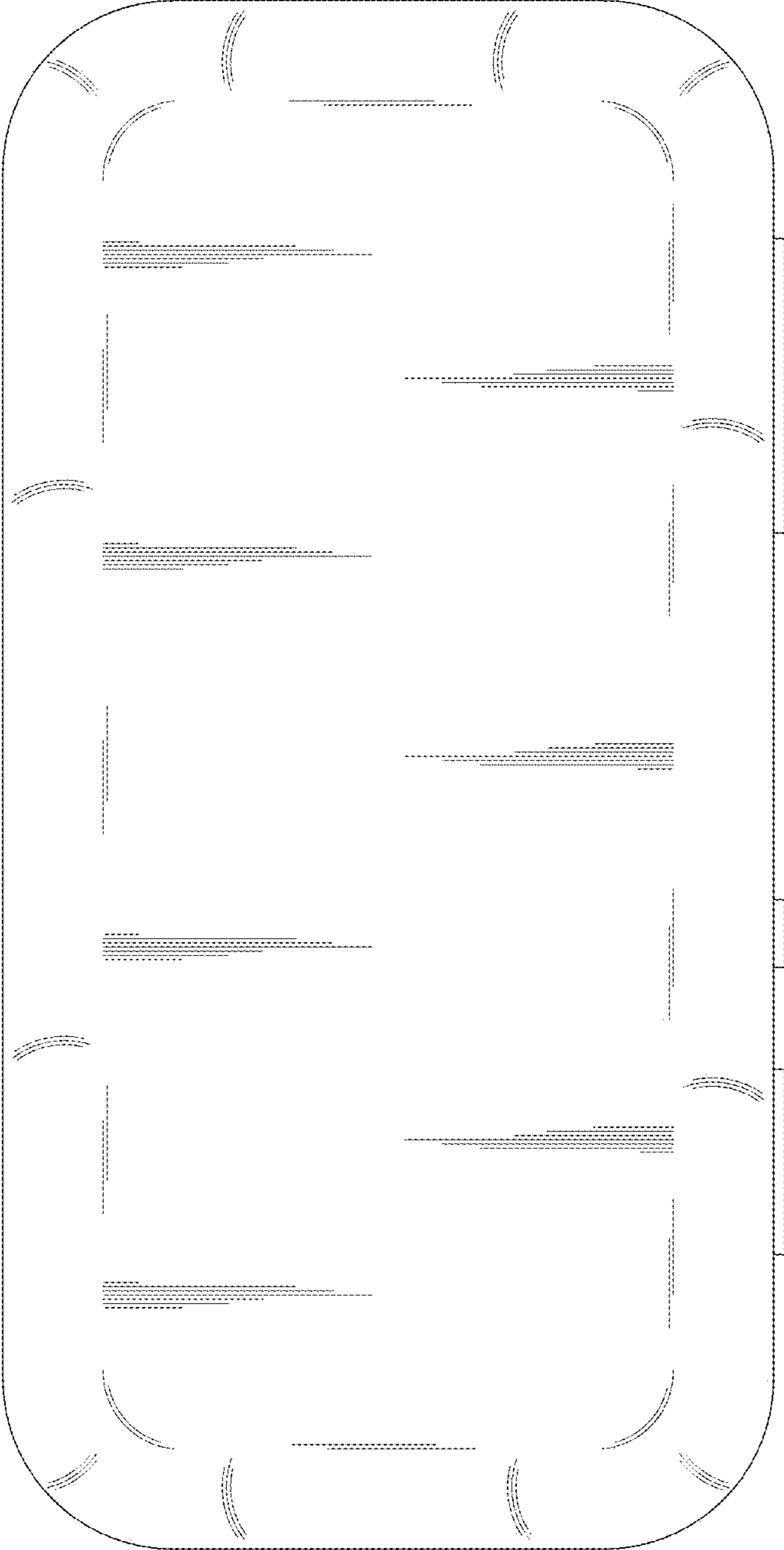


FIG. 3

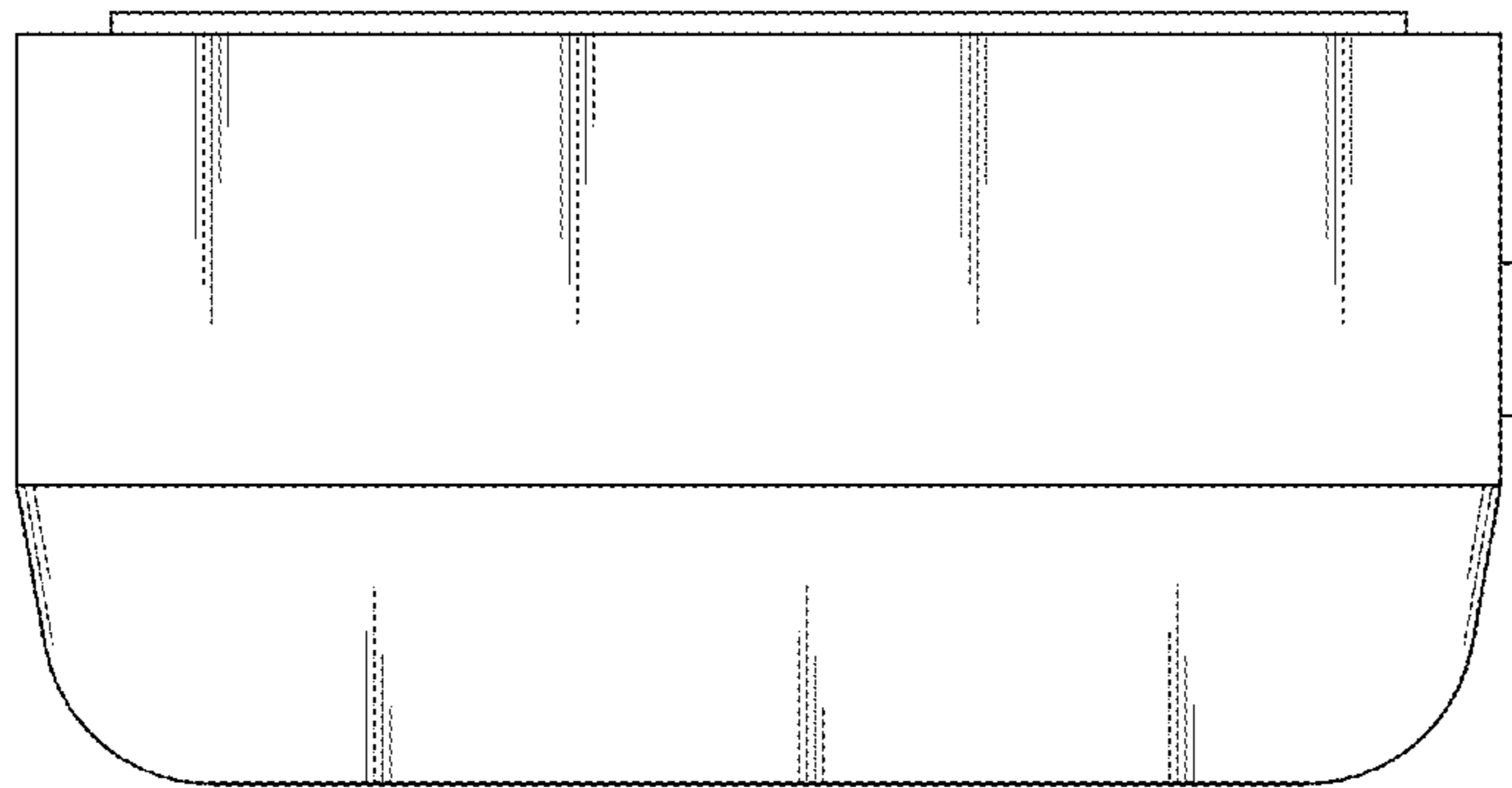


FIG. 4

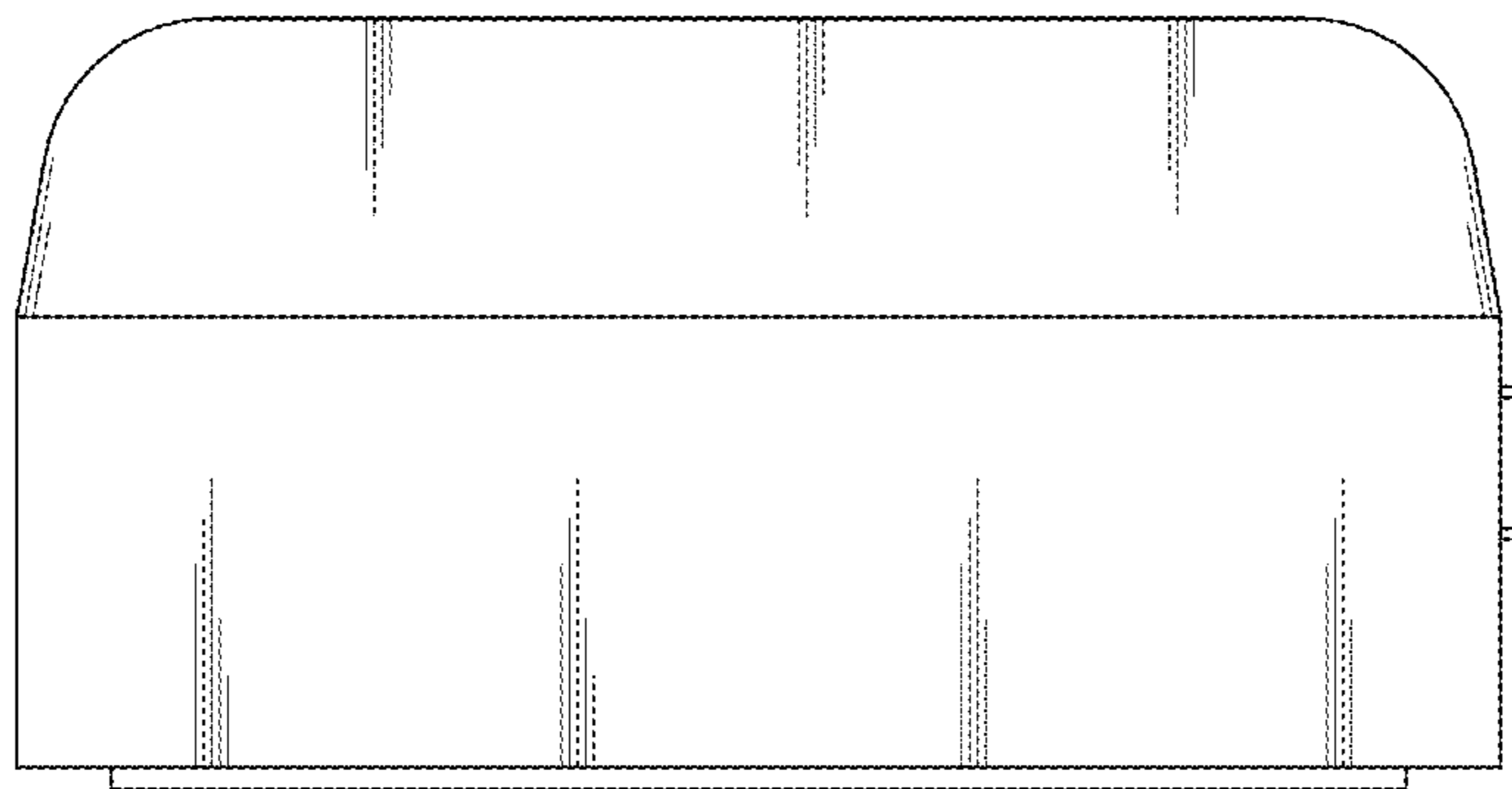


FIG. 5

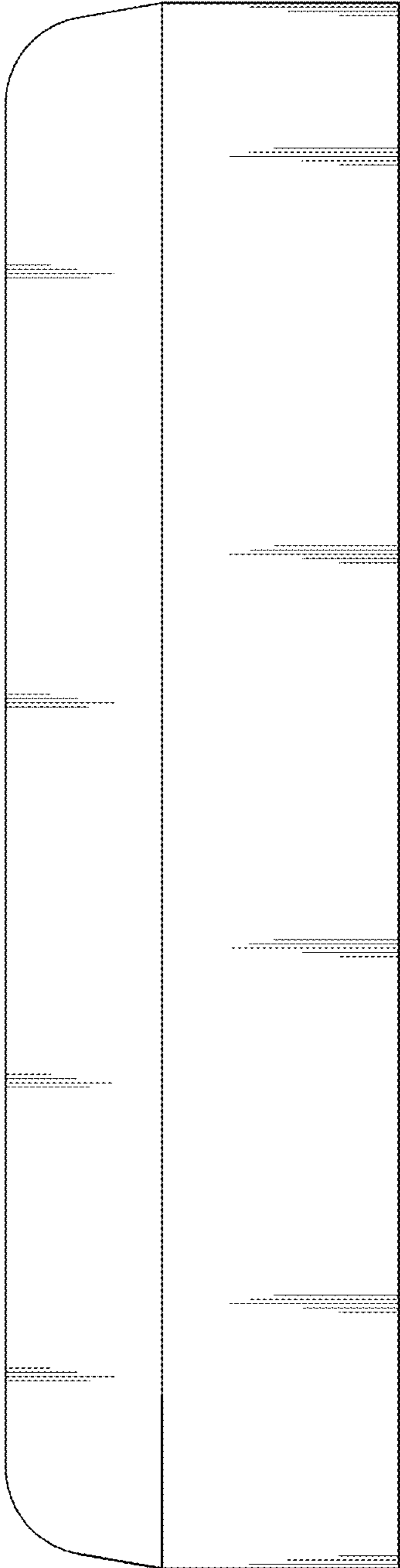


FIG. 6

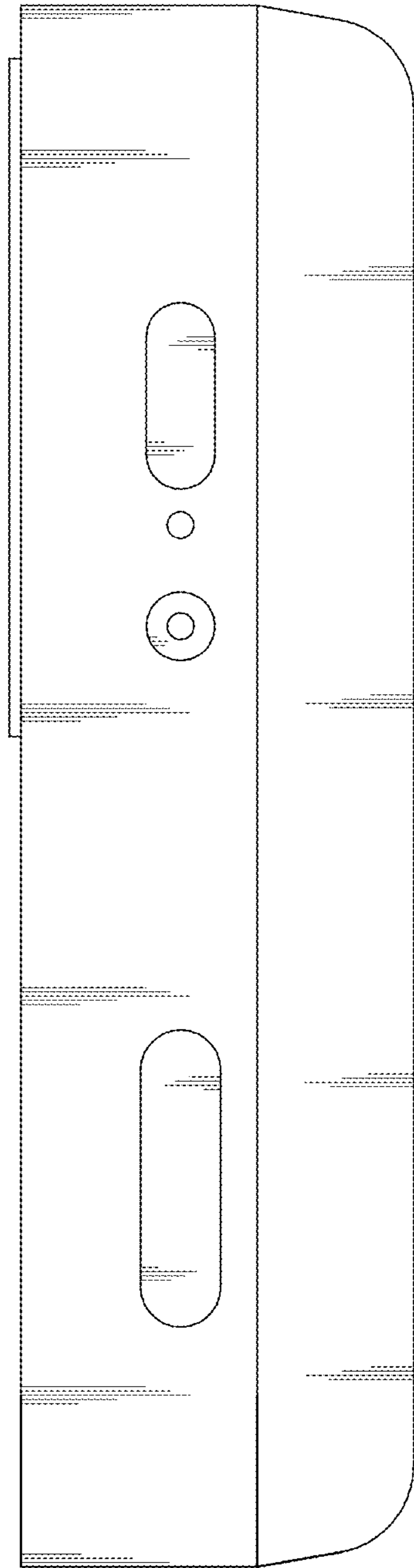


FIG. 7