



US00D952857S

(12) **United States Design Patent** (10) **Patent No.:** **US D952,857 S**
Merrell et al. (45) **Date of Patent:** **** May 24, 2022**

(54) **RESPIRATORY ASSISTING DEVICE WITH AN EXPANDABLE BAG**

(71) Applicant: **Compact Medical Solutions LLC**, Indianapolis, IN (US)

(72) Inventors: **Jonathan Merrell**, Indianapolis, IN (US); **Anthony Parker**, Wilkinson, IN (US); **Matthew Haws**, Noblesville, IN (US)

(73) Assignee: **COMPACT MEDICAL SOLUTIONS, LLC**, Indianapolis, IN (US)

(**) Term: **15 Years**

(21) Appl. No.: **29/690,042**

(22) Filed: **May 3, 2019**

(51) **LOC (13) Cl.** **24-02**

(52) **U.S. Cl.**
USPC **D24/164**

(58) **Field of Classification Search**
USPC D23/235, 355, 356; D24/110, 110.1, D24/110.2, 110.3, 110.4, 110.5, 110.6,
(Continued)

(56) **References Cited**

U.S. PATENT DOCUMENTS

3,420,225 A * 1/1969 Smith, Jr. A61B 5/093
600/541
4,060,077 A * 11/1977 Friedman A61M 16/0051
128/205.16

(Continued)

FOREIGN PATENT DOCUMENTS

EP 0421007 A1 4/1991
IN 328653-001-001 * 2/2021

OTHER PUBLICATIONS

Advanced Emergency Nursing Journal, "Early Modern Resuscitators", first available May 3, 2014. (<https://journals.lww.com/aenjournal/blog/aenj-blog/Lists/Posts/Post.aspx?ID=40>) (Year: 2014).*

(Continued)

Primary Examiner — Lauren D McVey

Assistant Examiner — Justin A Johnson

(74) *Attorney, Agent, or Firm* — Merchant & Gould P.C.

(57) **CLAIM**

The ornamental design for a respiratory assisting device with an expandable bag, as shown.

DESCRIPTION

FIG. 1 is a front perspective view of a respiratory assisting device with an expandable bag according to the present disclosure;

FIG. 2 is a right side view of the respiratory assisting device with an expandable bag of FIG. 1;

FIG. 3 is a left side view of the respiratory assisting device with an expandable bag of FIG. 1;

FIG. 4 is a front view of the respiratory assisting device with an expandable bag of FIG. 1;

FIG. 5 is a rear view of the respiratory assisting device with an expandable bag of FIG. 1;

FIG. 6 is a rear perspective view of the respiratory assisting device with an expandable bag of FIG. 1;

FIG. 7 is a top view of the respiratory assisting device with an expandable bag of FIG. 1;

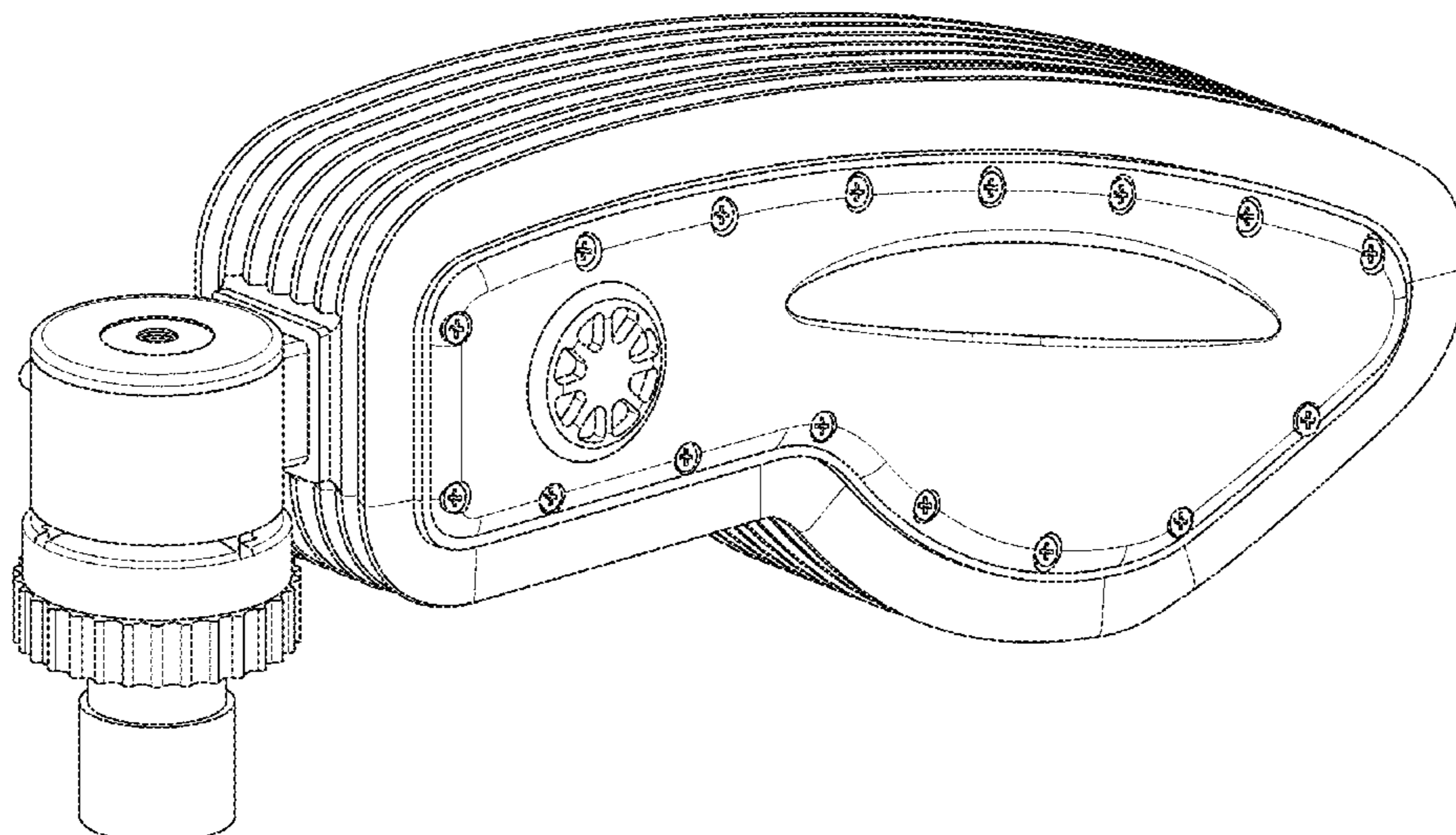
FIG. 8 is a bottom view of the respiratory assisting device with an expandable bag of FIG. 1;

FIG. 9 is a top perspective view of the respiratory assisting device with an expandable bag of FIG. 1 when the bag is in an expanded configuration;

FIG. 10 is a bottom perspective view of the respiratory assisting device with an expandable bag of FIG. 1 when the bag is in an expanded configuration; and,

FIG. 11 is another top perspective view of the respiratory assisting device with an expandable bag of FIG. 1 when the bag is in an expanded configuration.

1 Claim, 11 Drawing Sheets



(58) **Field of Classification Search**

USPC D24/164, 113, 185, 186, 133, 135, 137,
D24/138, 140, 162, 163, 167, 231, 127,
D24/129; D29/124
CPC .. F24F 6/00; F24F 2006/006; F24F 2006/008;
F24F 6/02; F24F 6/10; F24F 6/12; F24F
6/18; A61B 5/085; A61B 5/091; A61M
16/10; A61M 16/0672; A61M 16/0616;
A61M 16/16; A61M 16/06; A62B 7/00;
A62B 7/02; A62B 7/04; A62B 7/06;
A62B 7/08; A62B 7/10; A62B 7/12;
A62B 7/14; A62B 9/00; A62B 9/003;
A62B 9/006; A62B 9/02; A62B 9/022;
A62B 9/025; A62B 9/027; A62B 9/04;
A62B 9/06

See application file for complete search history.

(56) **References Cited**

U.S. PATENT DOCUMENTS

4,349,015 A * 9/1982 Alferness A61H 9/0078
128/205.16
4,498,472 A * 2/1985 Tanaka A62B 7/00
128/203.28
4,539,985 A * 9/1985 Magrath A61D 1/08
128/205.13
4,870,962 A * 10/1989 Sitnik A61M 16/0075
128/205.13
D309,025 S * 7/1990 Beacham D23/360
5,109,840 A 5/1992 Daleiden
5,301,667 A 4/1994 McGrail et al.
6,283,120 B1 * 9/2001 Kellon B63C 11/24
128/204.26
7,172,557 B1 2/2007 Parker
D653,760 S * 2/2012 Johnson D24/164

OTHER PUBLICATIONS

D809,130 S * 1/2018 Yang D24/164
9,861,775 B1 1/2018 Farmer et al.
D865,300 S * 10/2019 Fallgatter B63C 11/24
D29/124
10,960,172 B2 * 3/2021 Merrell A61M 16/201
11,179,529 B2 * 11/2021 Merrell A61M 16/0858
2002/0029779 A1 3/2002 Schmidt et al.
2002/0117173 A1 8/2002 Lynn et al.
2006/0180146 A1 * 8/2006 Thompson A61M 16/0057
128/202.28
2006/0266358 A1 11/2006 Hoogland
2010/0263670 A1 * 10/2010 Pearce A61M 16/0075
128/205.14
2011/0120472 A1 * 5/2011 Lee A61M 16/209
128/205.14
2013/0092166 A1 * 4/2013 Pearce A61M 16/0084
128/205.14
2014/0318544 A1 * 10/2014 Murphy A61M 16/0078
128/205.14
2016/0256661 A1 9/2016 Battersby et al.
2019/0366029 A1 12/2019 Prabhudesai et al.

Amazon, "Medline Industries CPRM2216 Pediatric Manual Resuscitator", first available Mar. 18, 2016. (https://www.amazon.com/Medline-Industries-CPRM2216-Pediatric-Resuscitator/dp/B00KG88RRE/ref=zg_bs_8297519011_9?_encoding=UTF8&psc=1&refRID=2V1RBK6DKV2EB209G5N2) (Year: 2016).*

Amazon, "Intex Bellows Foot Pump Series", first available Jul. 14, 2020. (<https://www.amazon.com/Intex-Bellows-Foot-Pump-Series/dp/B08CXYYMZQ>) (Year: 2020).*

Amazon, "PVC Adult Tool Bag Resuscitator Bag for First Aid Training", first available Mar. 30, 2020. (https://www.amazon.com/dp/B0885ZT812/ref=cm_sw_em_r_mt_dp_7MBIFb6F872G3) (Year: 2020).*

* cited by examiner

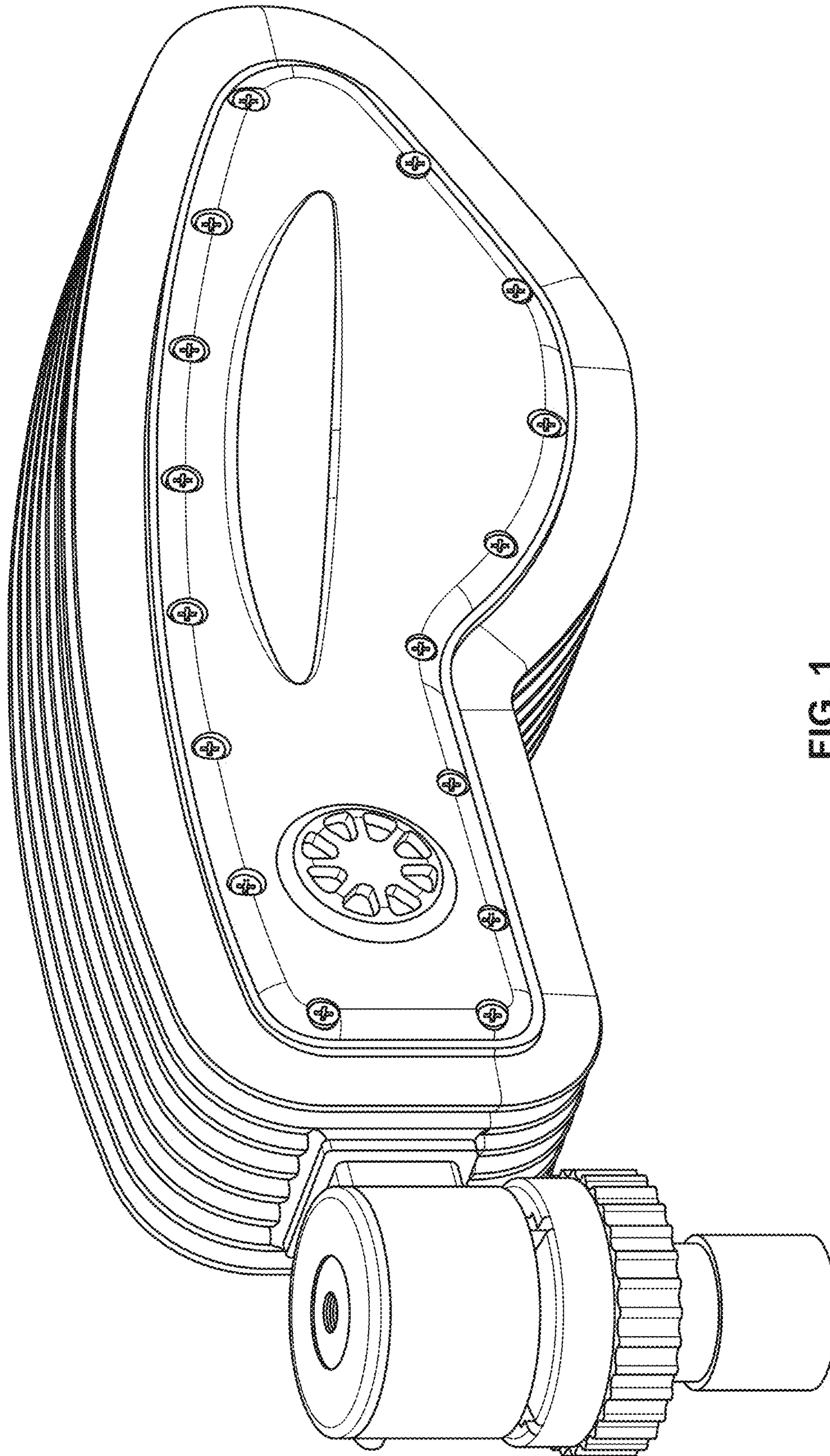


FIG. 1

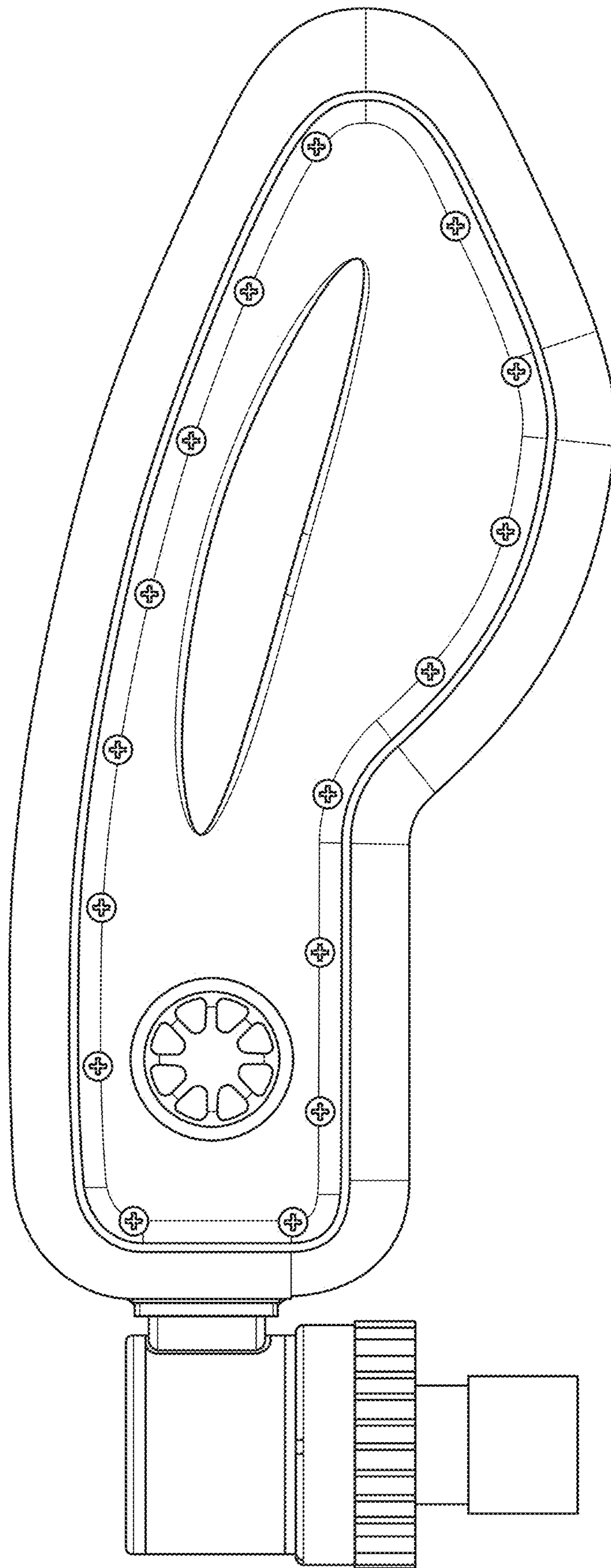


FIG. 2

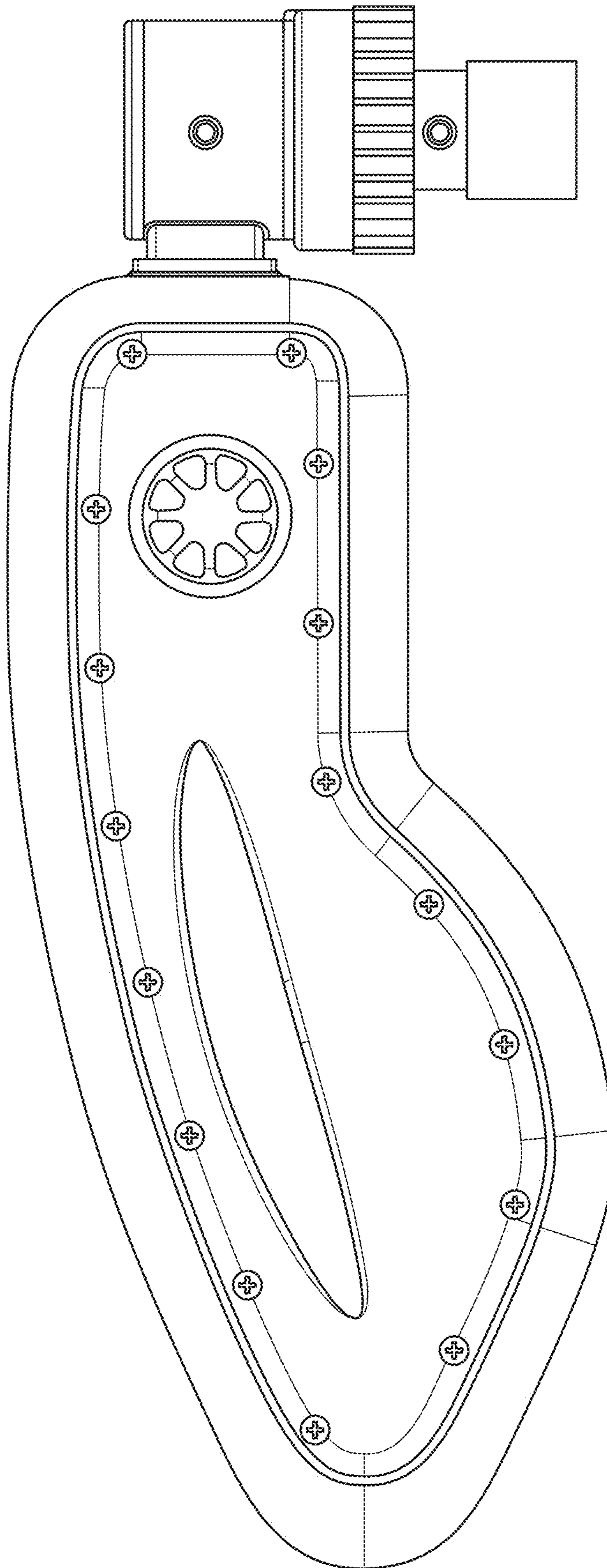


FIG. 3

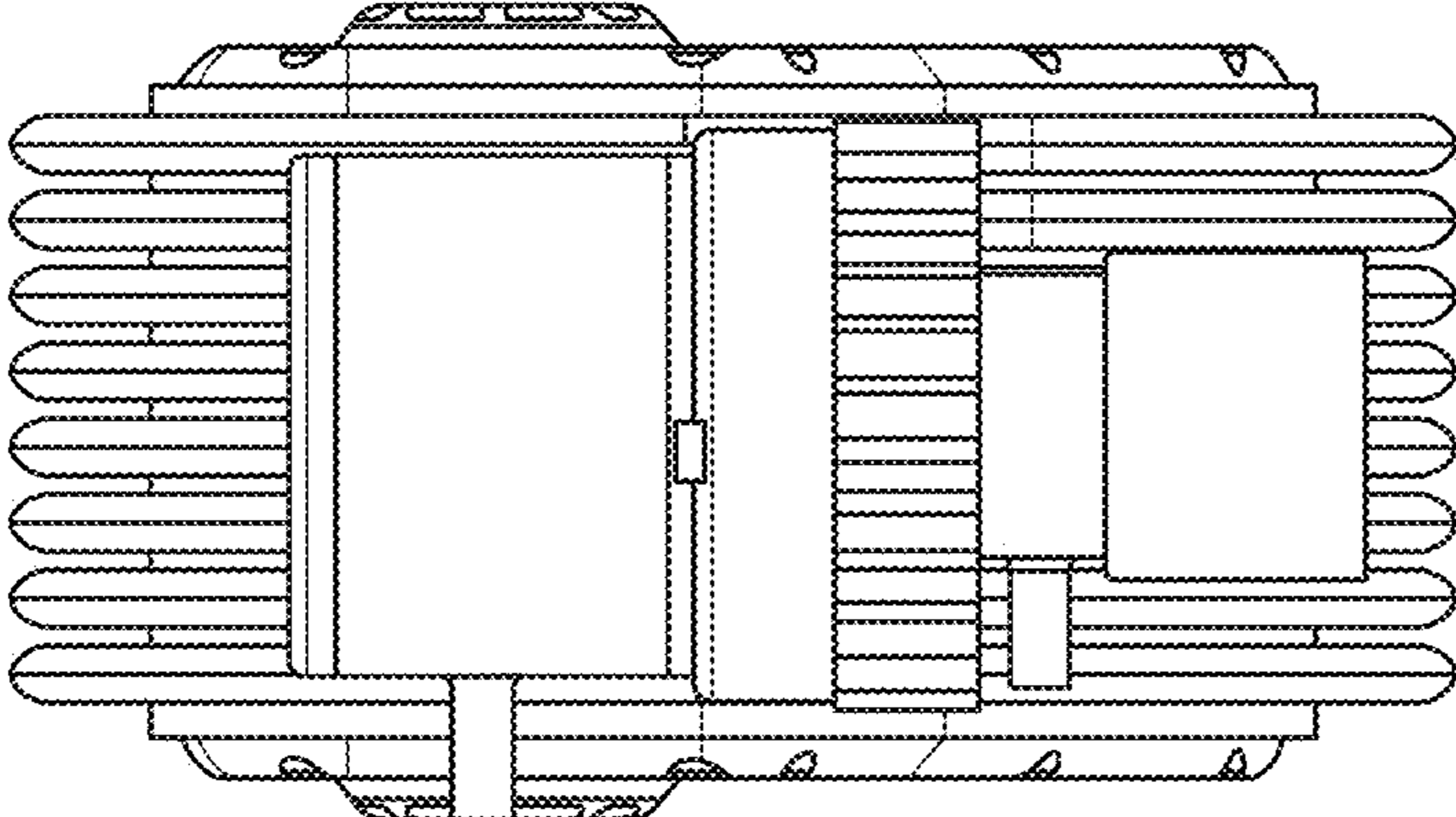


FIG. 4

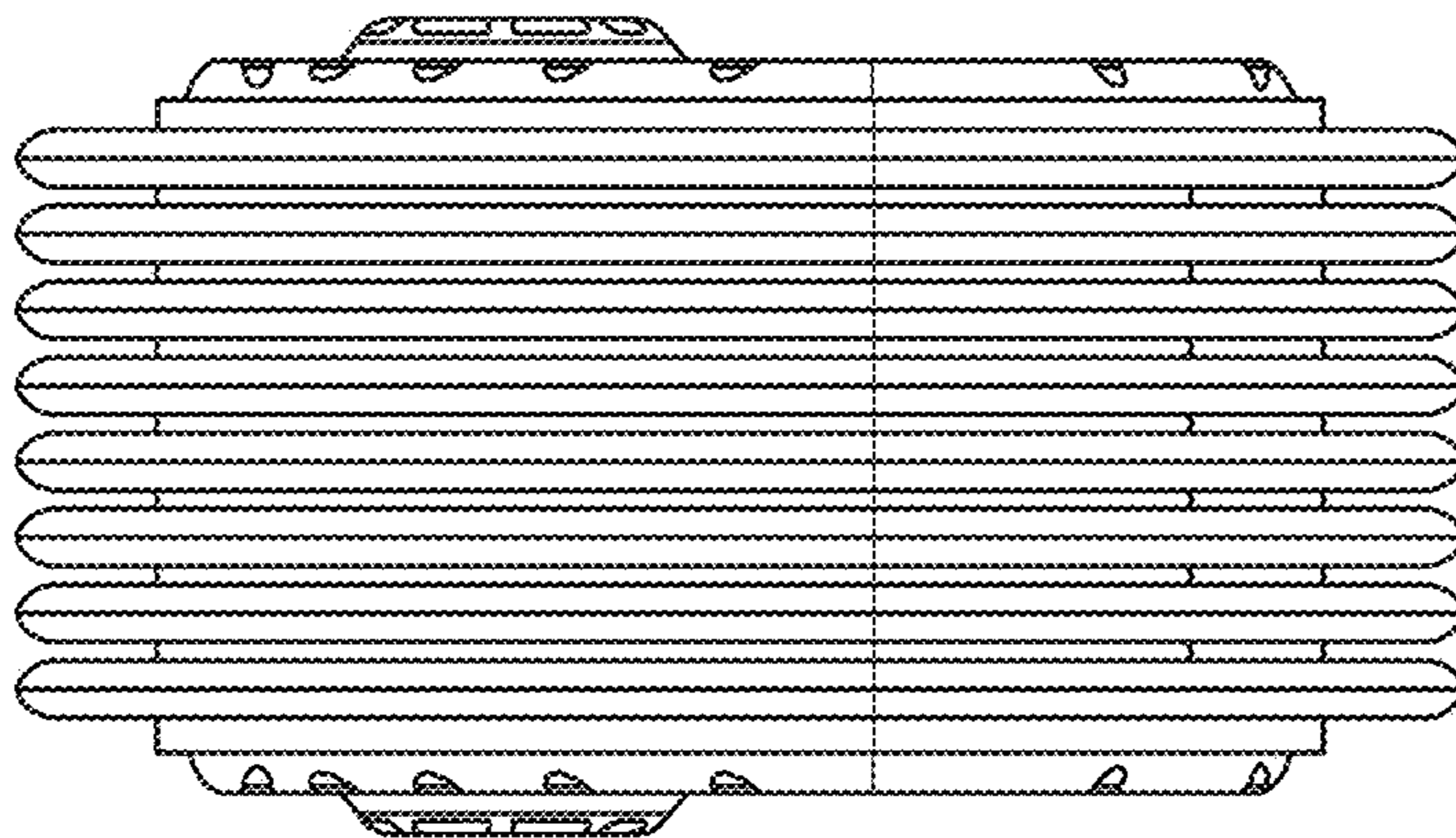


FIG. 5

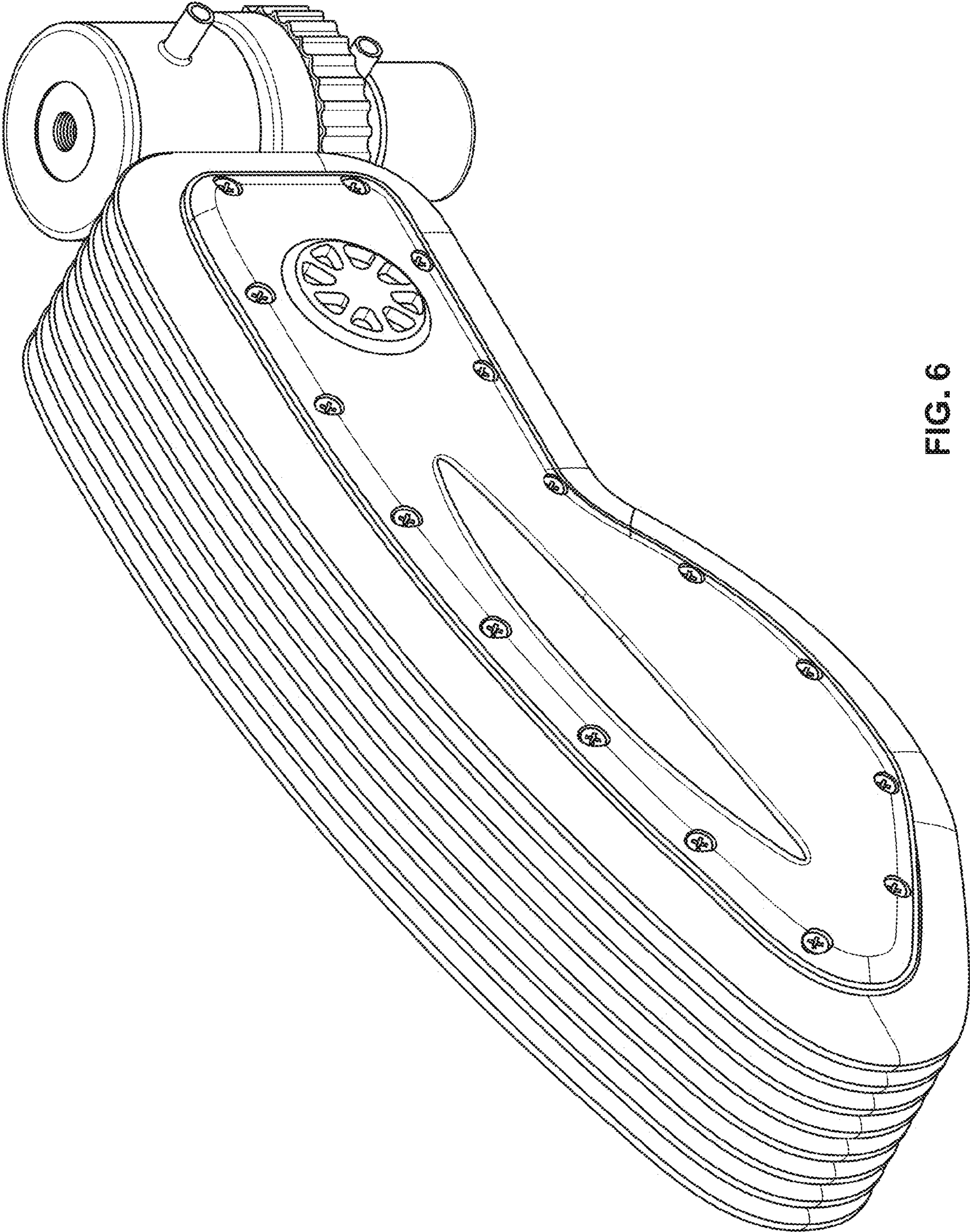


FIG. 6

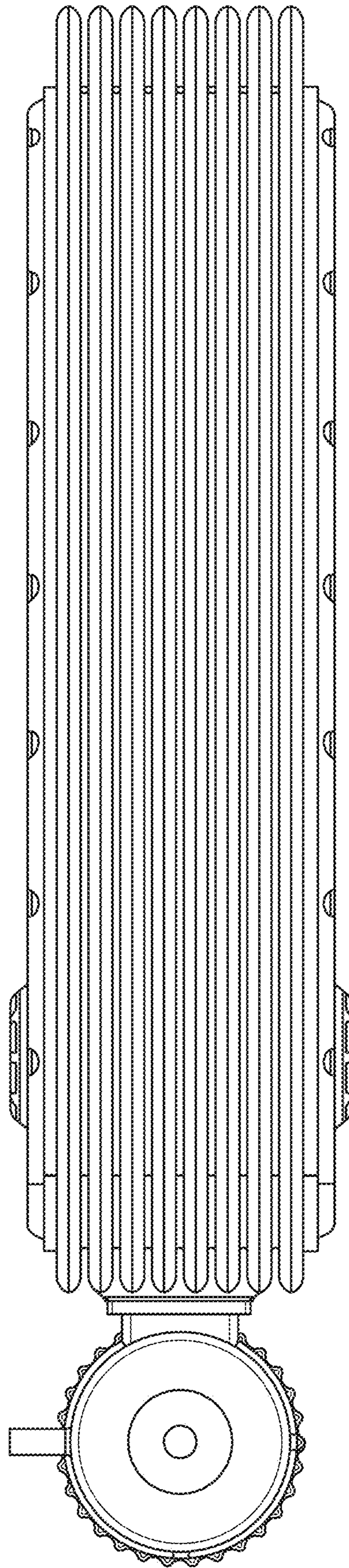


FIG. 7

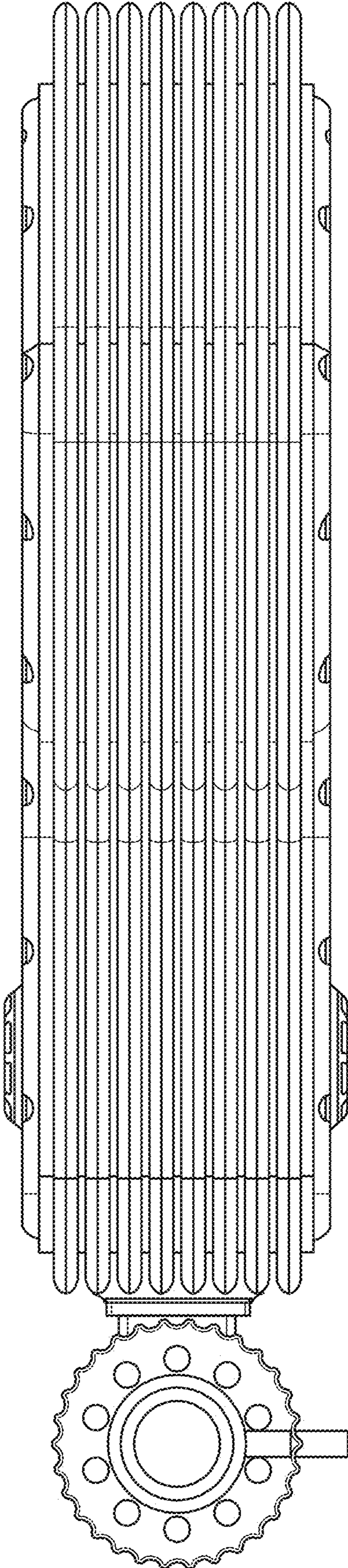


FIG. 8

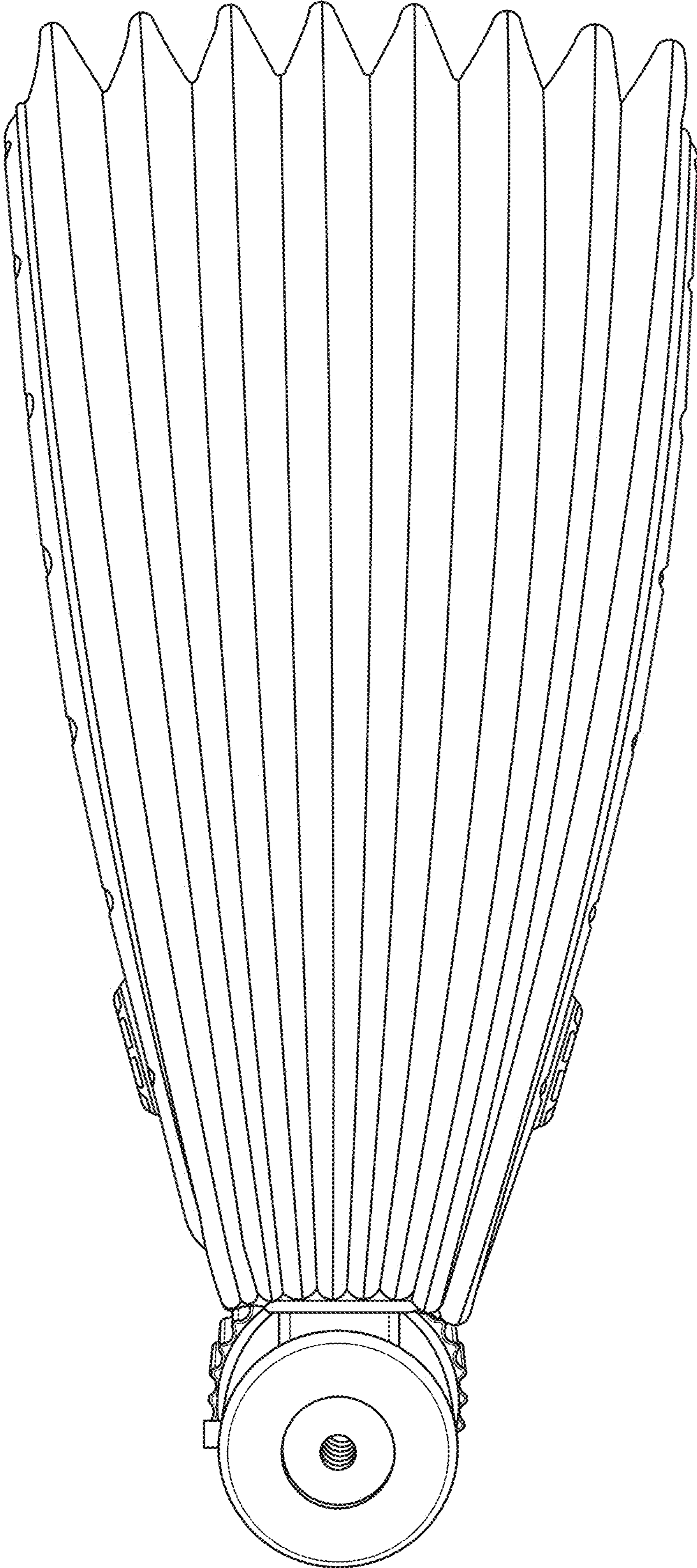


FIG. 9

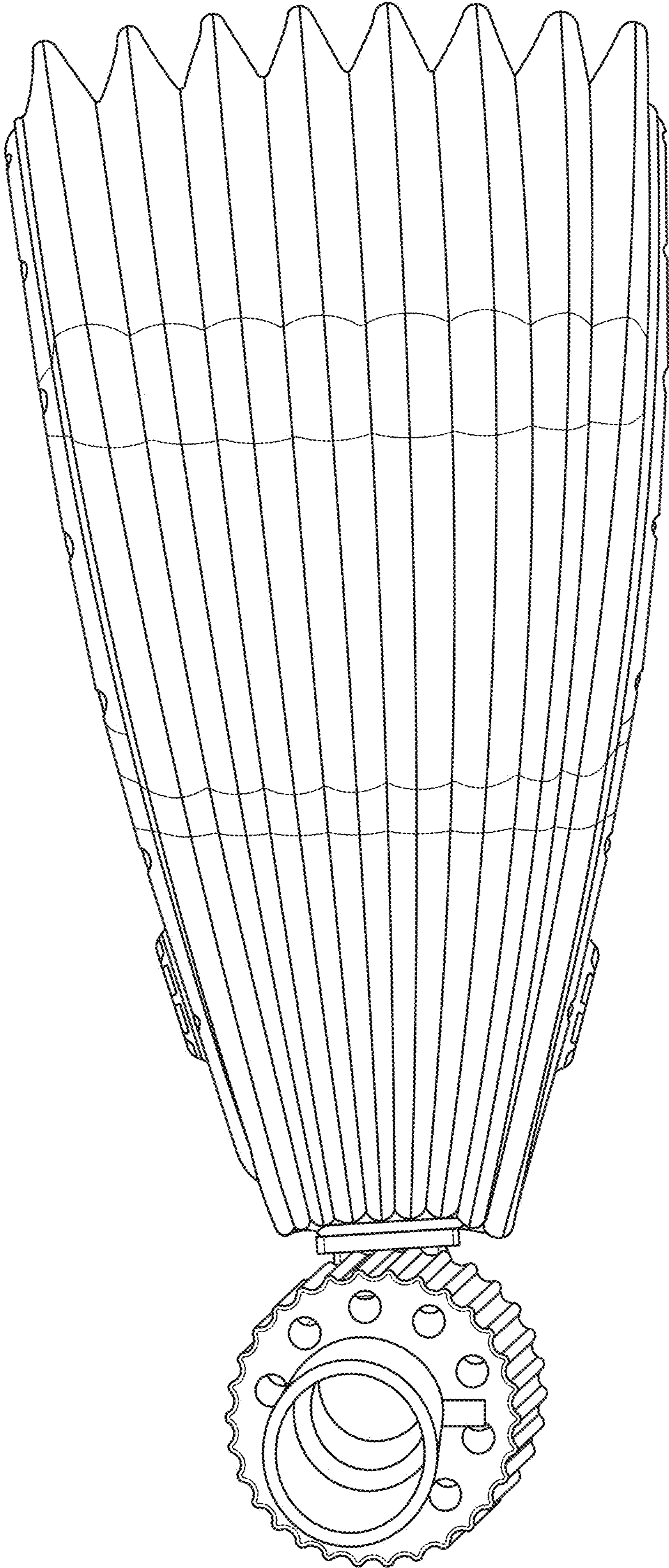


FIG. 10

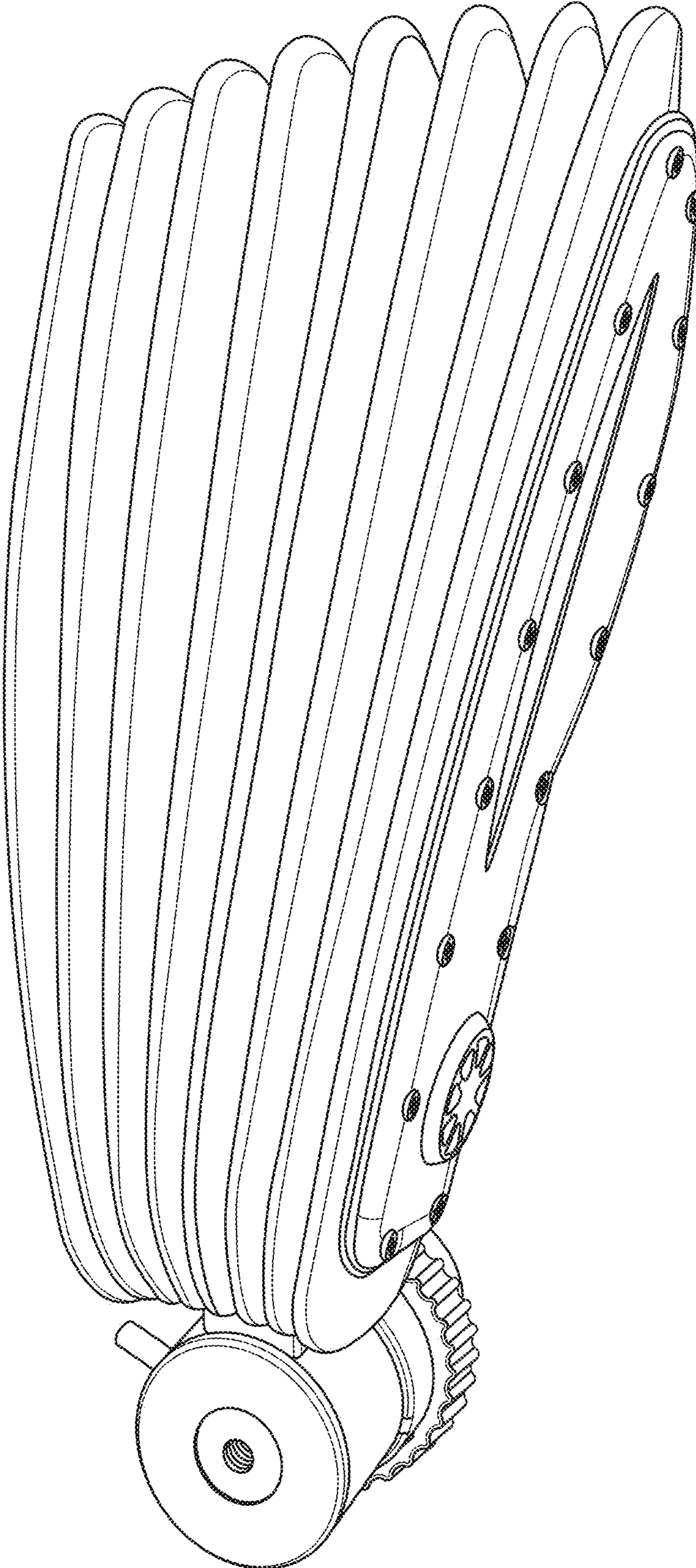


FIG. 11