



US00D952855S

(12) **United States Design Patent**
Robbins

(10) **Patent No.:** **US D952,855 S**

(45) **Date of Patent:** **** May 24, 2022**

(54) **BONE SCREW**

(71) Applicant: **Joseph Robbins**, Vestavia Hills, AL
(US)

(72) Inventor: **Joseph Robbins**, Vestavia Hills, AL
(US)

(**) Term: **15 Years**

(21) Appl. No.: **29/817,342**

(22) Filed: **Nov. 30, 2021**

Related U.S. Application Data

(63) Continuation of application No. 17/017,403, filed on Sep. 10, 2020, which is a continuation of application No. 62/898,311, filed on Sep. 10, 2019.

(51) **LOC (13) Cl.** **24-03**

(52) **U.S. Cl.**
USPC **D24/155**

(58) **Field of Classification Search**
USPC D24/155
CPC A61B 17/7037; A61B 17/7032; A61B 17/7291; A61B 17/8605; A61B 17/864; A61B 17/70; A61B 17/7011; A61B 17/7035; A61B 17/7082

See application file for complete search history.

(56) **References Cited**

U.S. PATENT DOCUMENTS

8,062,270 B2 * 11/2011 Sweeney A61B 17/8819
604/264
D926,983 S * 8/2021 Corbin D24/155
2003/0031528 A1 * 2/2003 Kram F16B 25/0031
411/311
2008/0166201 A1 * 7/2008 Desai F16B 41/002
411/160

2011/0060373 A1 * 3/2011 Russell A61B 17/8875
606/86 R
2011/0217145 A1 * 9/2011 Kochheiser F16B 25/106
29/525.11
2012/0083847 A1 * 4/2012 Huebner A61B 17/863
606/291
2014/0277193 A1 * 9/2014 Mobasser A61B 17/8625
606/311
2015/0052735 A1 * 2/2015 Kochheiser F16B 25/0084
29/525.11
2015/0230844 A1 * 8/2015 Ellis A61B 17/8635
606/316
2016/0015483 A1 * 1/2016 Kumar A61C 8/0068
606/301
2018/0146987 A1 * 5/2018 Corbin A61B 17/8625
2019/0219090 A1 * 7/2019 Stager F16B 25/106

* cited by examiner

Primary Examiner — Charles D Hanson

(74) *Attorney, Agent, or Firm* — C. Brandon Browning;
Maynard, Cooper & Gale, PC

(57) **CLAIM**

The ornamental design for a bone screw, as shown and described herein.

DESCRIPTION

FIG. 1 is a perspective view of a front side of the bone screw showing my new design.

FIG. 2 is a perspective view of a rear side thereof.

FIG. 3 is an elevational view of the front side thereof.

FIG. 4 is an elevational view of the rear side thereof.

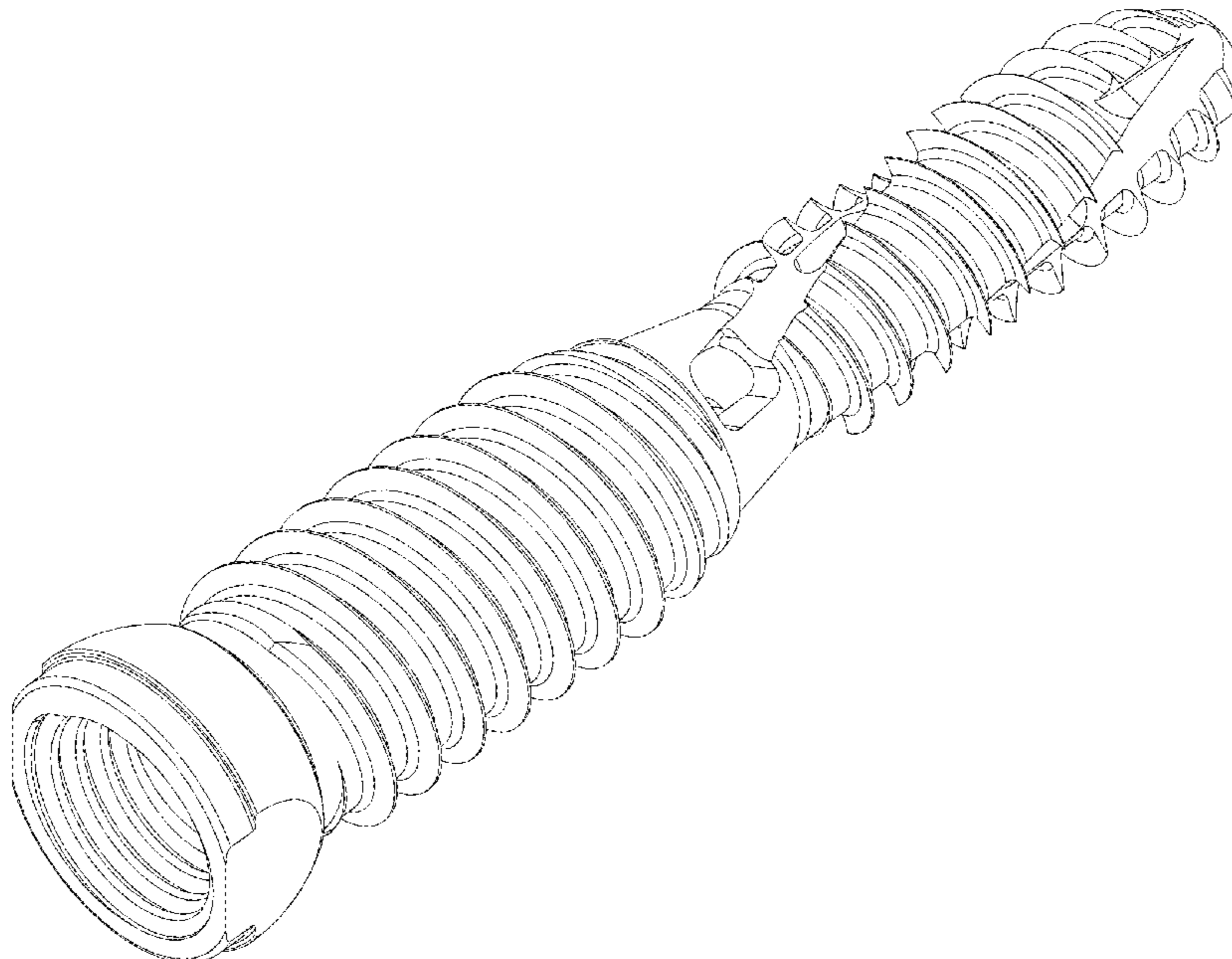
FIG. 5 is an elevational view of a first lateral side thereof.

FIG. 6 is an elevational view of a second lateral side thereof.

FIG. 7 is top plan view thereof; and,

FIG. 8 is a bottom plan view thereof.

1 Claim, 5 Drawing Sheets



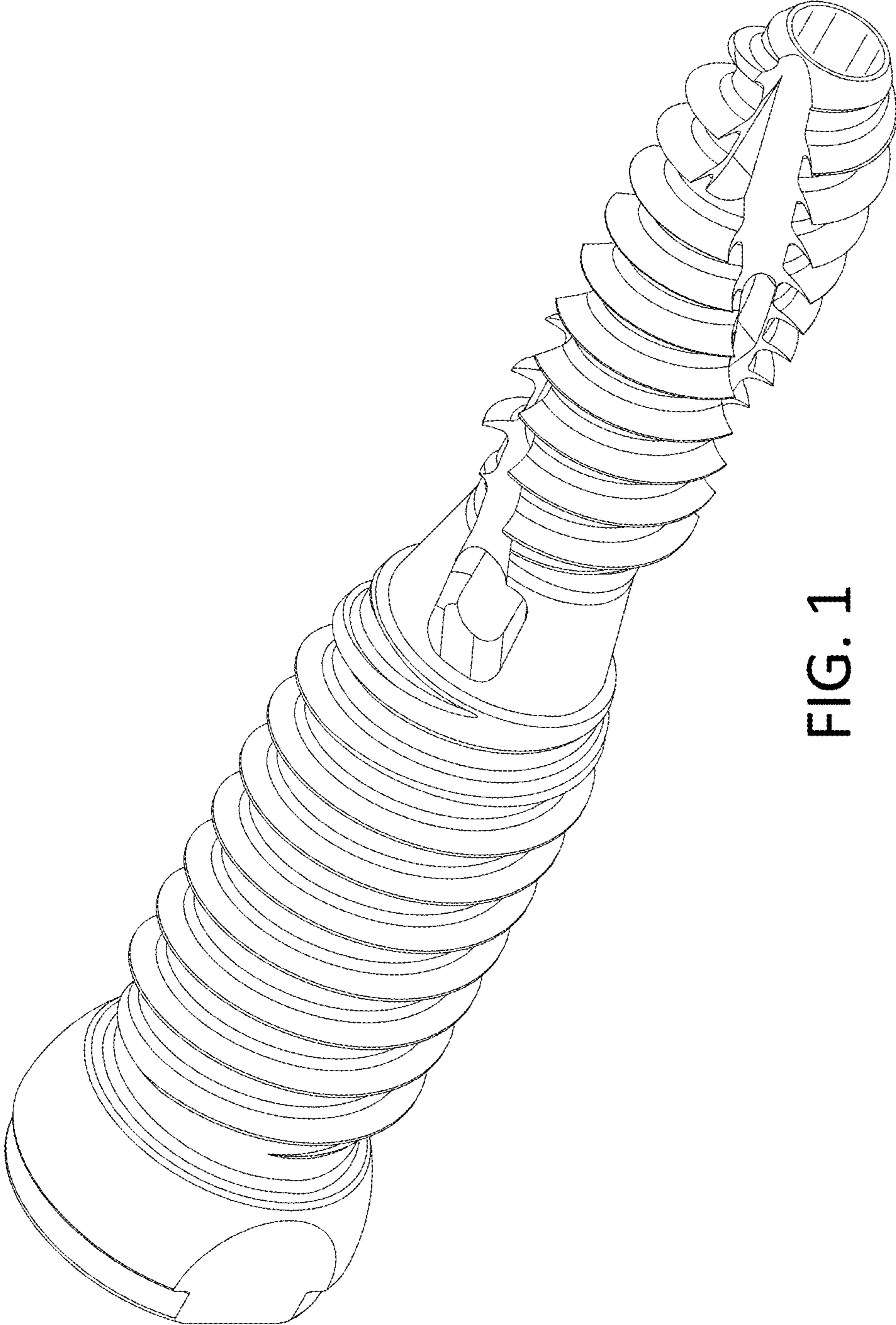


FIG. 1

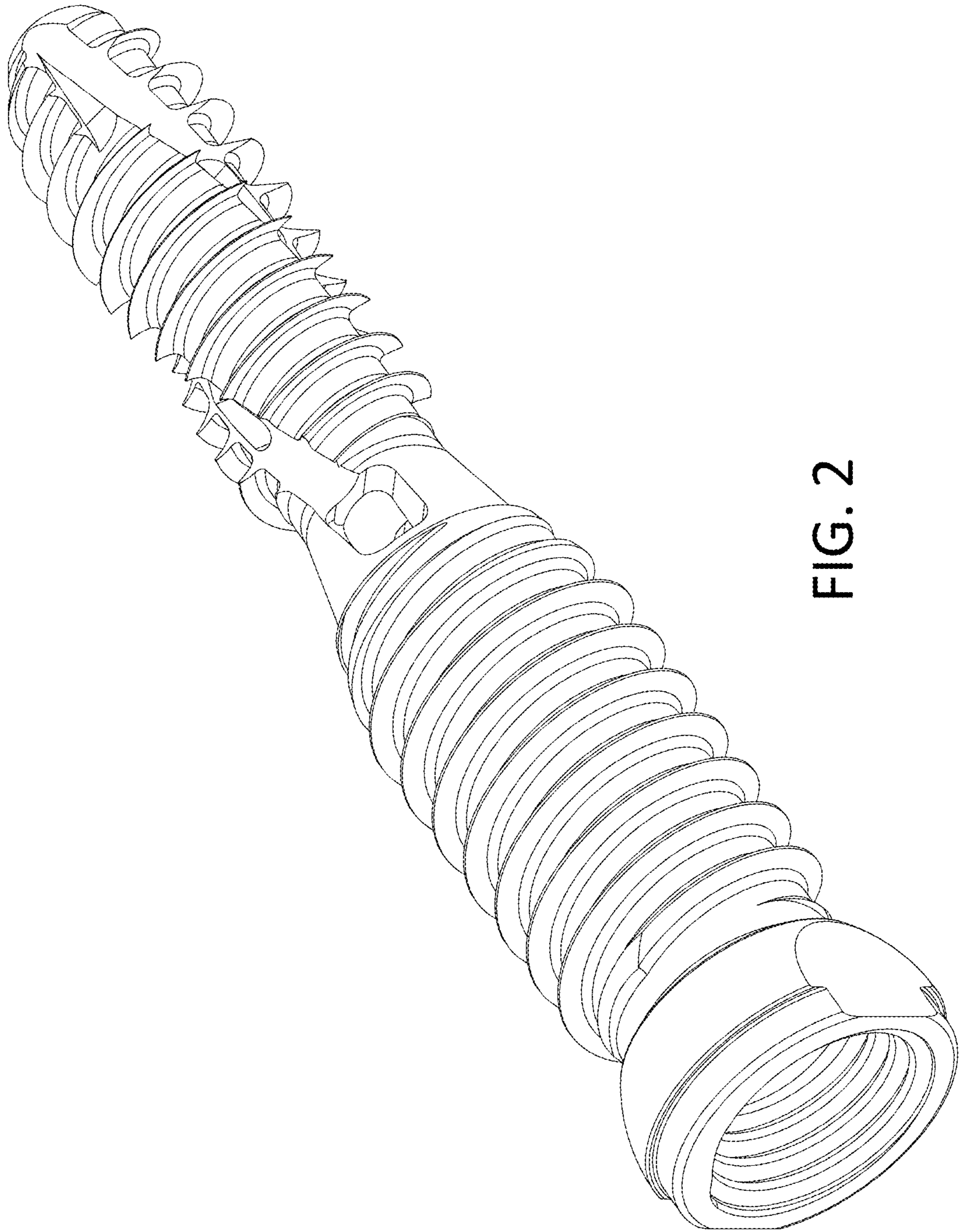


FIG. 2

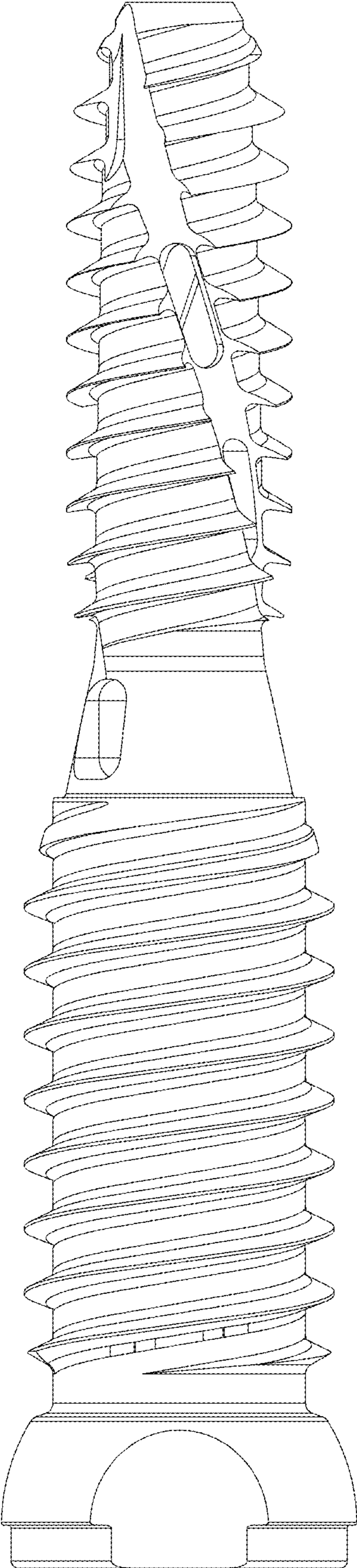


FIG. 3

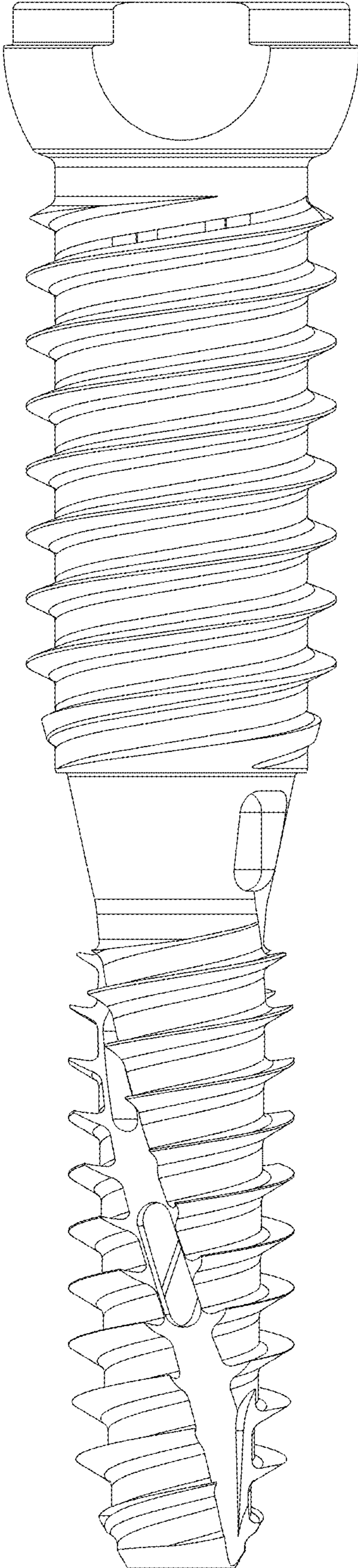


FIG. 4

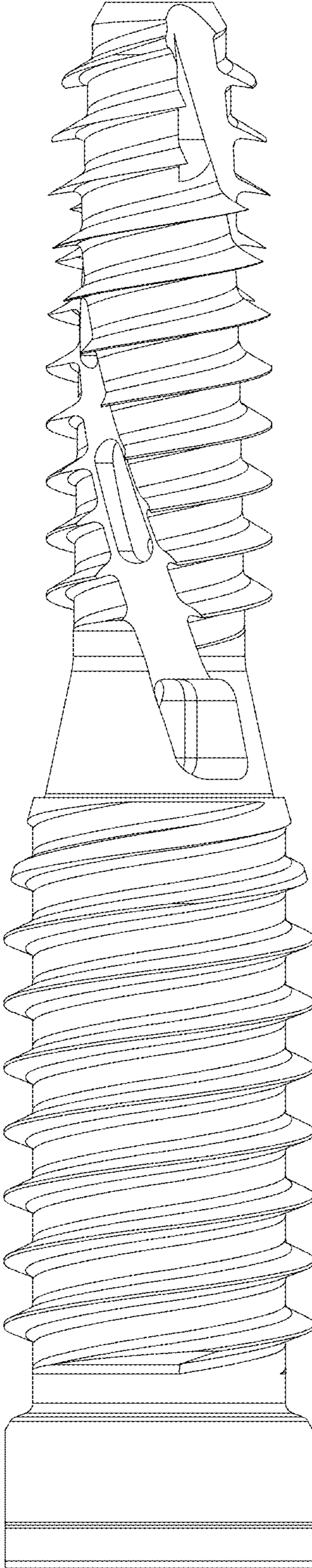


FIG. 5

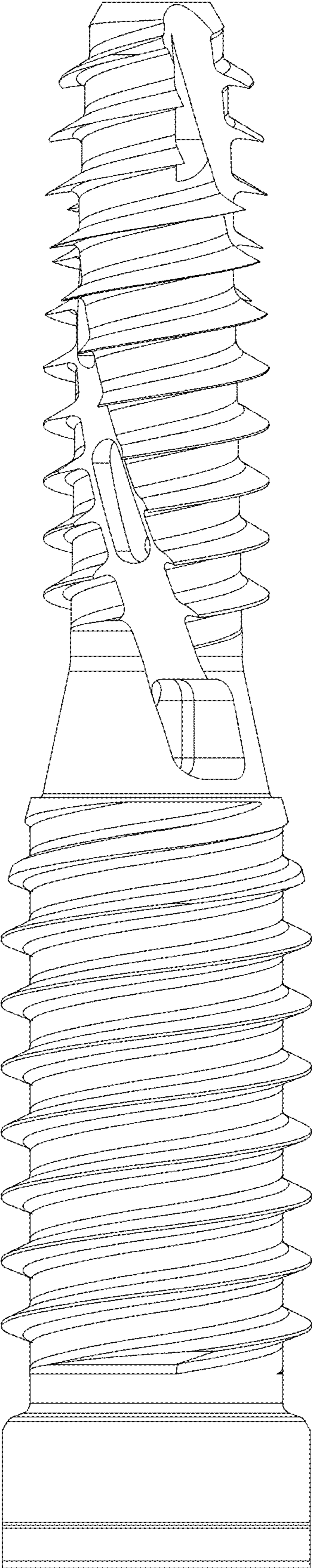


FIG. 6

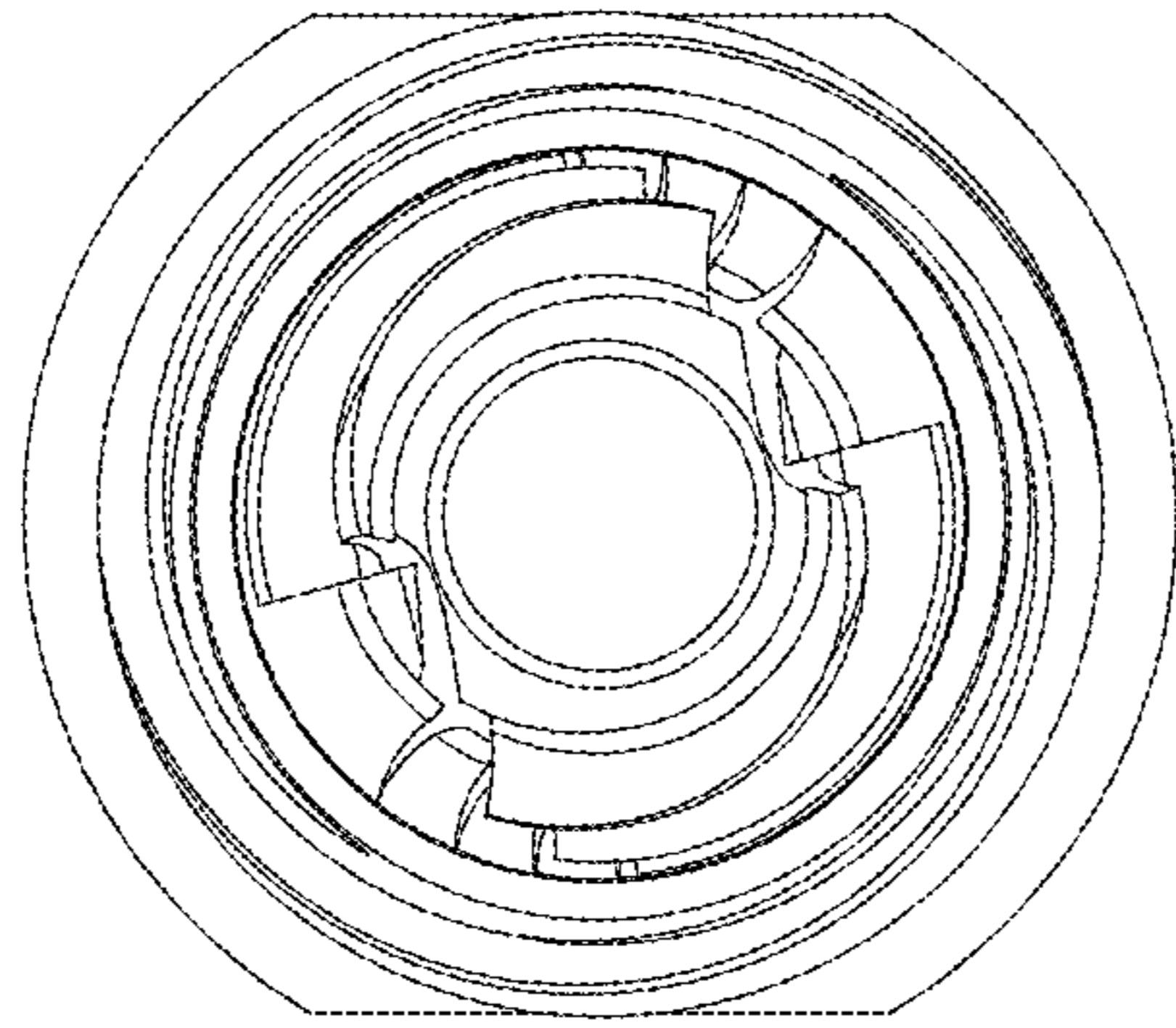


FIG. 8

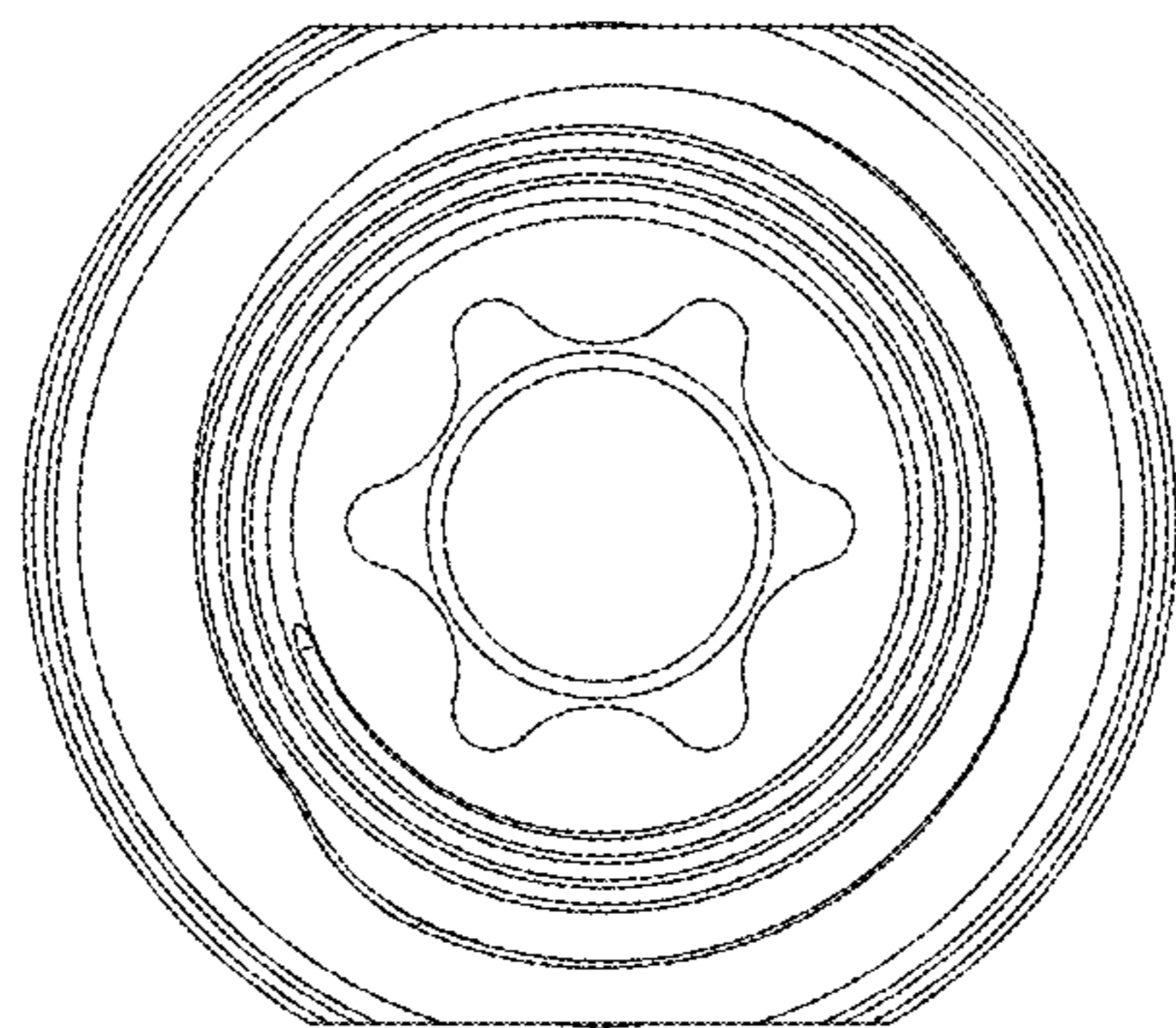


FIG. 7