



US00D952854S

(12) **United States Design Patent**  
**Yamagata et al.**

(10) **Patent No.:** **US D952,854 S**  
(45) **Date of Patent:** **\*\* May 24, 2022**

(54) **STENT**

(71) Applicant: **OLYMPUS CORPORATION,**  
Hachioji (JP)

(72) Inventors: **Toshihiro Yamagata,** Hachioji (JP);  
**Aya Mori,** Hachioji (JP); **Miho Naka,**  
Hachioji (JP); **Nao Tsuruta,** Hachioji  
(JP); **Yoshino Nagasuka,** Hachioji (JP)

(73) Assignee: **OLYMPUS CORPORATION,**  
Hachioji (JP)

(\*\*) Term: **15 Years**

(21) Appl. No.: **29/681,811**

(22) Filed: **Feb. 28, 2019**

(51) **LOC (13) Cl.** ..... **24-03**

(52) **U.S. Cl.**  
USPC ..... **D24/155**

(58) **Field of Classification Search**  
USPC ..... **D24/155**

(Continued)

(56) **References Cited**

**U.S. PATENT DOCUMENTS**

D910,177 S \* 2/2021 Roman ..... A61F 2/4225  
D24/155  
2009/0005782 A1\* 1/2009 Chirico ..... A61B 17/1617  
606/300

(Continued)

**FOREIGN PATENT DOCUMENTS**

WO 2015005036 A1 1/2015

**OTHER PUBLICATIONS**

Olympus Corporation, Product Brochure of QuickPlace V Billialy  
Stent, 2015, F0338J2\_042015.

(Continued)

*Primary Examiner* — Charles D Hanson

(74) *Attorney, Agent, or Firm* — Kenja IP Law PC

(57) **CLAIM**

The ornamental design for a stent, as shown and described.

**DESCRIPTION**

FIG. 1 is a top front perspective view of a first embodiment of a Stent showing our new design;  
FIG. 2 is a bottom rear perspective view thereof;  
FIG. 3 is a front view thereof;  
FIG. 4 is a rear view thereof;  
FIG. 5 is a right side view thereof;  
FIG. 6 is a left side view thereof;  
FIG. 7 is a top view thereof;  
FIG. 8 is a bottom view thereof;  
FIG. 9 is a top front perspective view of a second embodiment of a Stent showing our new design;  
FIG. 10 is a bottom rear perspective view thereof;  
FIG. 11 is a front view thereof;  
FIG. 12 is a rear view thereof;  
FIG. 13 is a right side view thereof;  
FIG. 14 is a left side view thereof;  
FIG. 15 is a top view thereof;  
FIG. 16 is a bottom view thereof;  
FIG. 17 is a top front perspective view of a third embodiment of a Stent showing our new design;  
FIG. 18 is a bottom rear perspective view thereof;  
FIG. 19 is a front view thereof;  
FIG. 20 is a rear view thereof;  
FIG. 21 is a right side view thereof;  
FIG. 22 is a left side view thereof;  
FIG. 23 is a top view thereof;  
FIG. 24 is a bottom view thereof;  
FIG. 25 is a top front perspective view of a fourth embodiment of a Stent showing our new design;  
FIG. 26 is a bottom rear perspective view thereof;  
FIG. 27 is a front view thereof;  
FIG. 28 is a rear view thereof;  
FIG. 29 is a right side view thereof;  
FIG. 30 is a left side view thereof;  
FIG. 31 is a top view thereof;  
FIG. 32 is a bottom view thereof;  
FIG. 33 is a top front perspective view of a fifth embodiment of a Stent showing our new design;

(Continued)

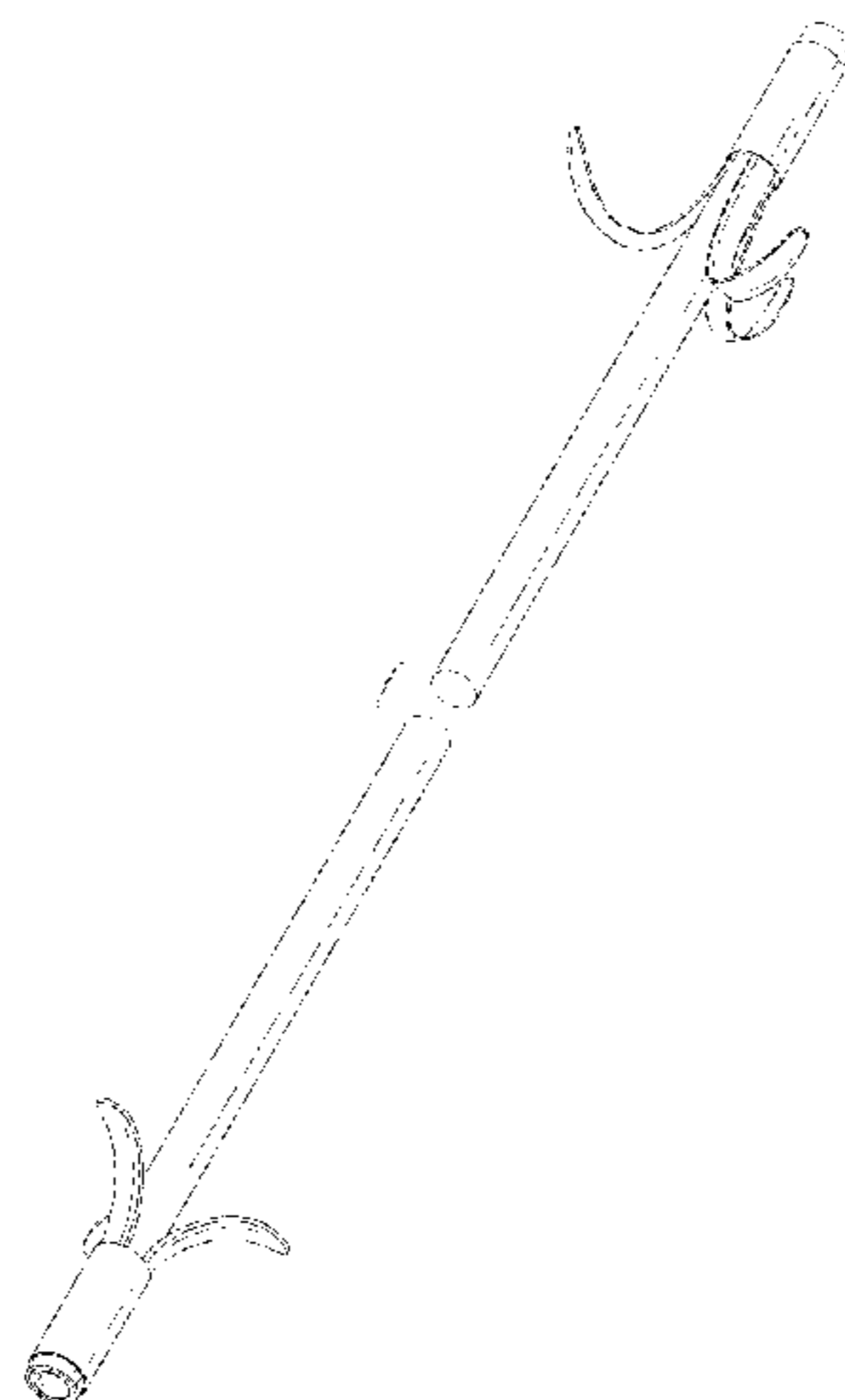


FIG. 34 is a bottom rear perspective view thereof;  
 FIG. 35 is a front view thereof;  
 FIG. 36 is a rear view thereof;  
 FIG. 37 is a right side view thereof;  
 FIG. 38 is a left side view thereof;  
 FIG. 39 is a top view thereof;  
 FIG. 40 is a bottom view thereof;  
 FIG. 41 is a top front perspective view of a sixth embodiment of a Stent showing our new design;  
 FIG. 42 is a bottom rear perspective view thereof;  
 FIG. 43 is a front view thereof;  
 FIG. 44 is a rear view thereof;  
 FIG. 45 is a right side view thereof;  
 FIG. 46 is a left side view thereof;  
 FIG. 47 is a top view thereof;  
 FIG. 48 is a bottom view thereof;  
 FIG. 49 is a top front perspective view of a seventh embodiment of a Stent showing our new design;  
 FIG. 50 is a bottom rear perspective view thereof;  
 FIG. 51 is a front view thereof;  
 FIG. 52 is a rear view thereof;  
 FIG. 53 is a right side view thereof;  
 FIG. 54 is a left side view thereof;  
 FIG. 55 is a top view thereof;  
 FIG. 56 is a bottom view thereof;  
 FIG. 57 is a top front perspective view of an eighth embodiment of a Stent showing our new design;  
 FIG. 58 is a bottom rear perspective view thereof;  
 FIG. 59 is a front view thereof;  
 FIG. 60 is a rear view thereof;  
 FIG. 61 is a right side view thereof;  
 FIG. 62 is a left side view thereof;  
 FIG. 63 is a top view thereof;  
 FIG. 64 is a bottom view thereof;  
 FIG. 65 is a top front perspective view of a ninth embodiment of a Stent showing our new design;  
 FIG. 66 is a bottom rear perspective view thereof;  
 FIG. 67 is a front view thereof;  
 FIG. 68 is a rear view thereof;  
 FIG. 69 is a right side view thereof;  
 FIG. 70 is a left side view thereof;  
 FIG. 71 is a top view thereof;

FIG. 72 is a bottom view thereof;  
 FIG. 73 is a top front perspective view of a tenth embodiment of a Stent showing our new design;  
 FIG. 74 is a bottom rear perspective view thereof;  
 FIG. 75 is a front view thereof;  
 FIG. 76 is a rear view thereof;  
 FIG. 77 is a right side view thereof;  
 FIG. 78 is a left side view thereof;  
 FIG. 79 is a top view thereof; and,  
 FIG. 80 is a bottom view thereof.

**1 Claim, 80 Drawing Sheets**

(58) **Field of Classification Search**

CPC ..... A61F 2/24  
 See application file for complete search history.

(56) **References Cited**

U.S. PATENT DOCUMENTS

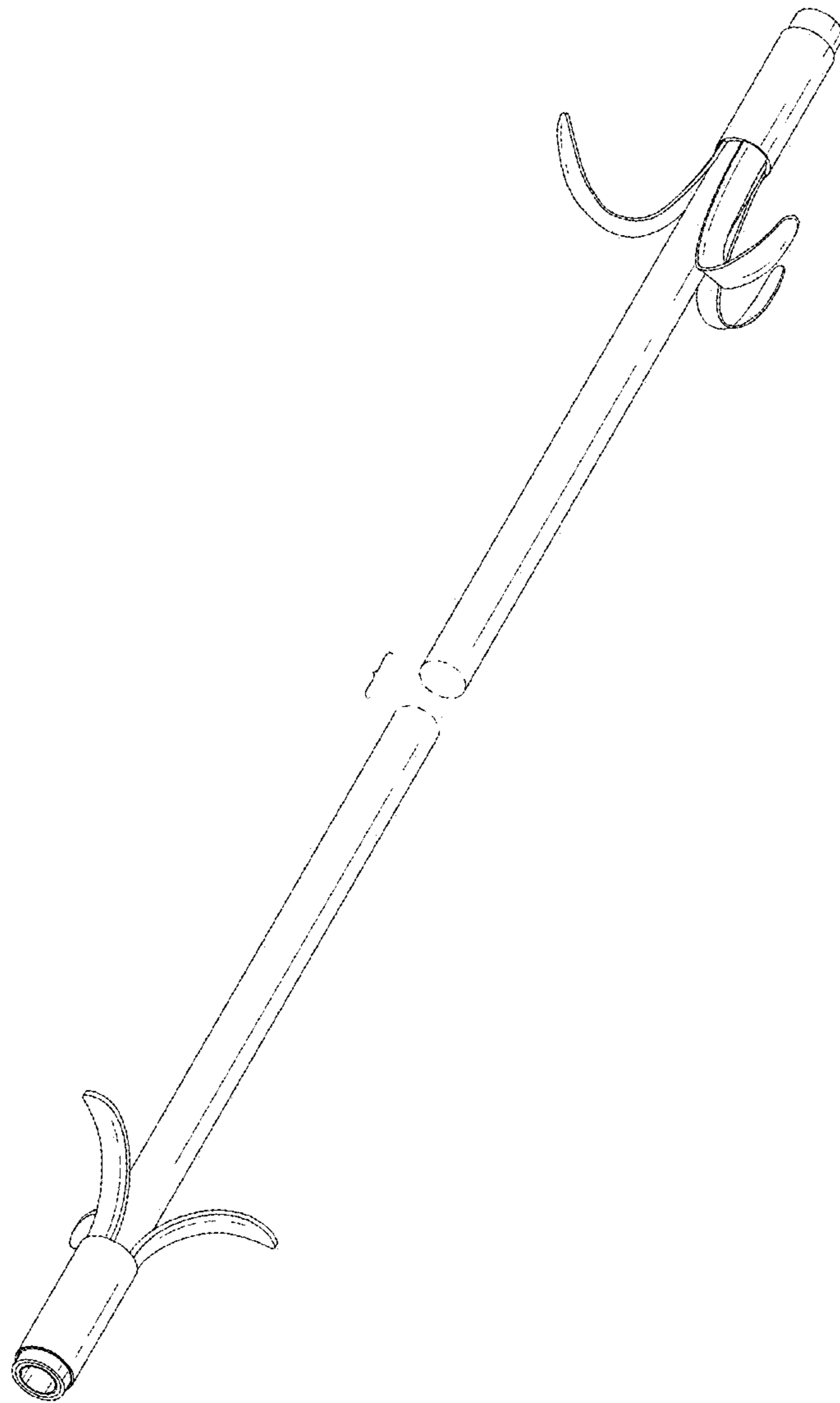
2017/0035427 A1\* 2/2017 Sander ..... A61M 25/1002  
 2019/0209352 A1\* 7/2019 Wilger ..... A61F 2/848  
 2019/0365547 A1\* 12/2019 Miller ..... A61F 2/07

OTHER PUBLICATIONS

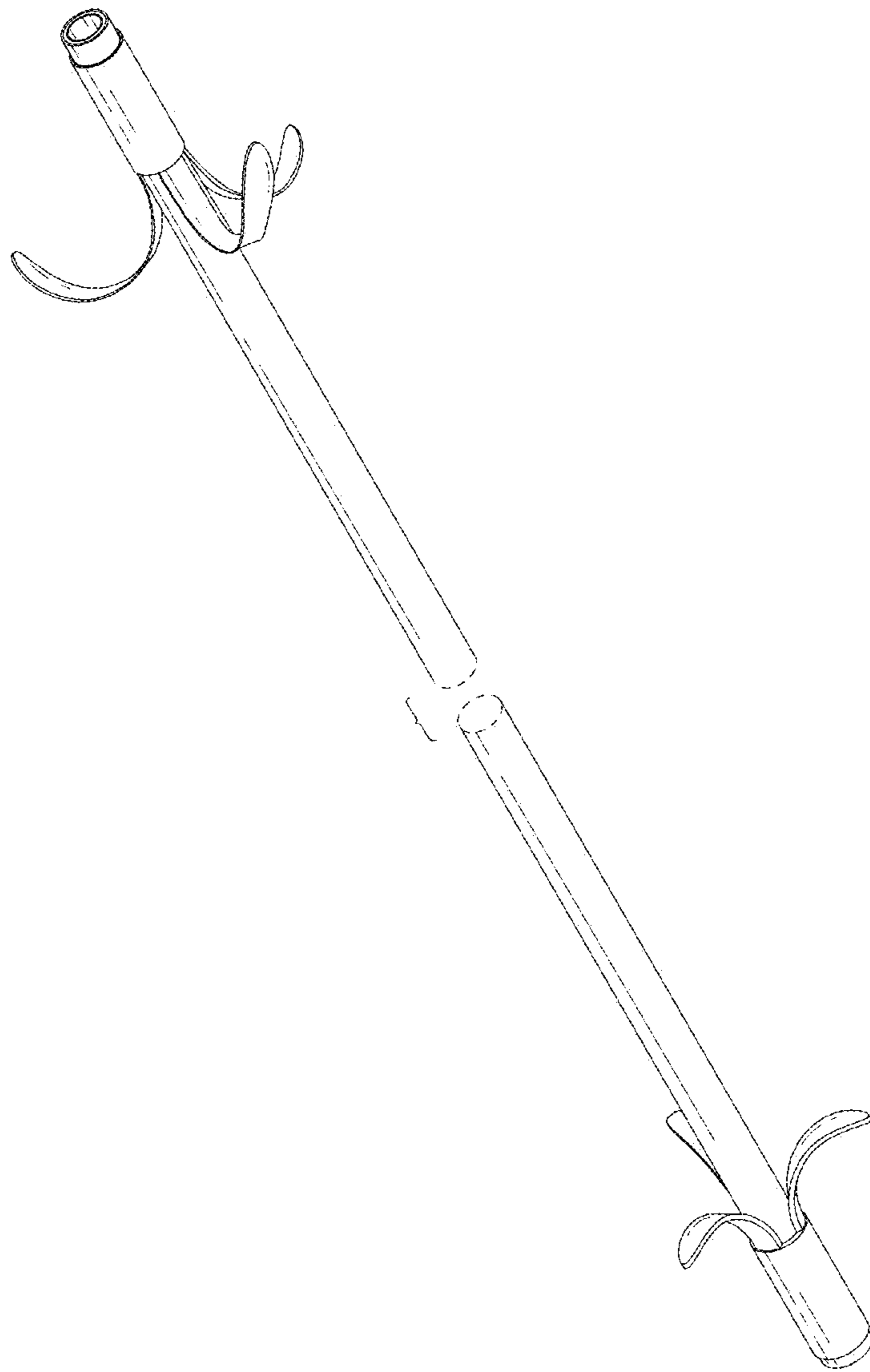
Olympus Corporation, Product Brochure of QuickPlace V, 2015, F0146J2\_042015.  
 Olympus Corporation, Product Brochure of S-typed Stent for Hepatobiliary and Pancreatic surgical treatment, 2015, F0160J2\_042015.  
 ssd.olympus.eu. Published in 2016, Last updated on Mar. 14, 2017, from URL: [https://ssd.olympus.eu/medical/en/medical\\_systems/contact\\_support/mediacentre/media\\_detail\\_90817.jsp](https://ssd.olympus.eu/medical/en/medical_systems/contact_support/mediacentre/media_detail_90817.jsp).  
 www.bostonscientific.com, Retrieved on Feb. 27, 2019, from URL: [http://www.bostonscientific.com/jp-JP/products/stent/Advanix\\_J.html](http://www.bostonscientific.com/jp-JP/products/stent/Advanix_J.html).  
 www.bostonscientific.com, Retrieved on Feb. 27, 2019, from URL: [http://www.bostonscientific.com/jp-JP/products/stent/Advanix\\_Pancreatic.html](http://www.bostonscientific.com/jp-JP/products/stent/Advanix_Pancreatic.html).  
 www.cookmedical.co.jp, Retrieved on Feb. 27, 2019, from URL: <http://www.cookmedical.co.jp/product/st-2-soehendra-tannenbaum-biliary-stent/>.

\* cited by examiner

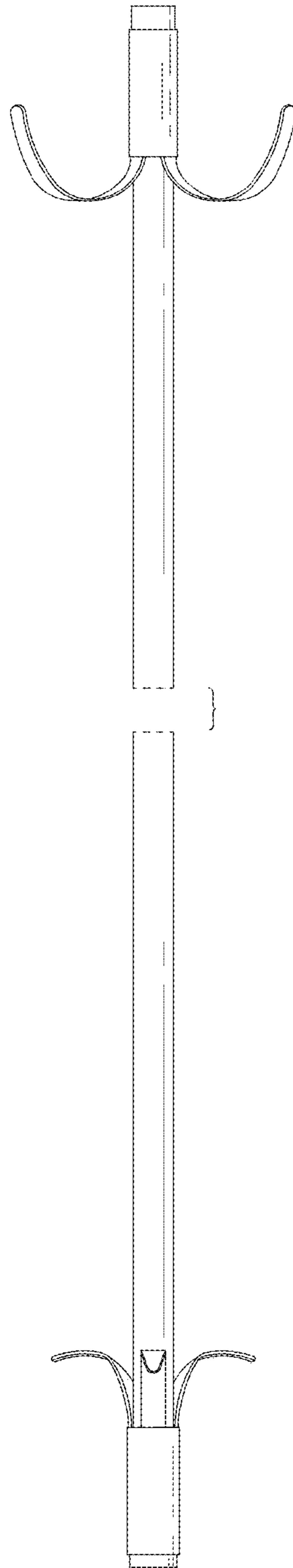
*FIG. 1*



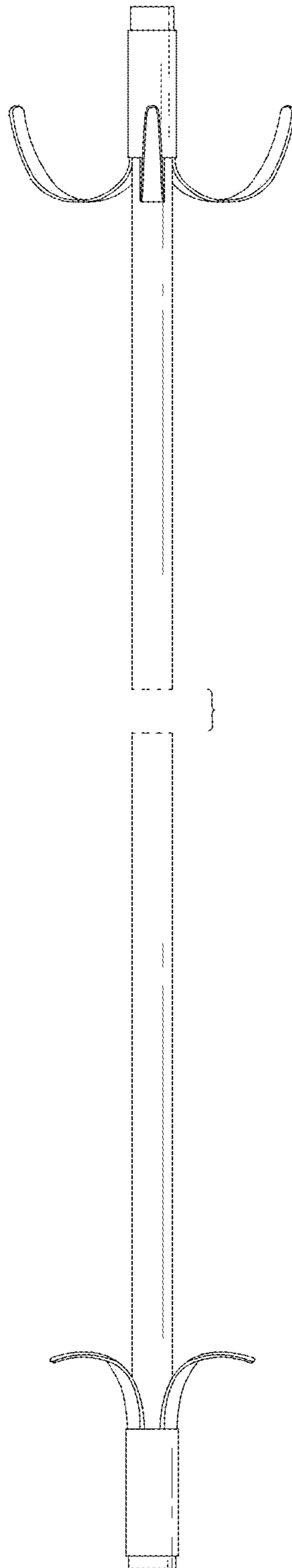
*FIG. 2*



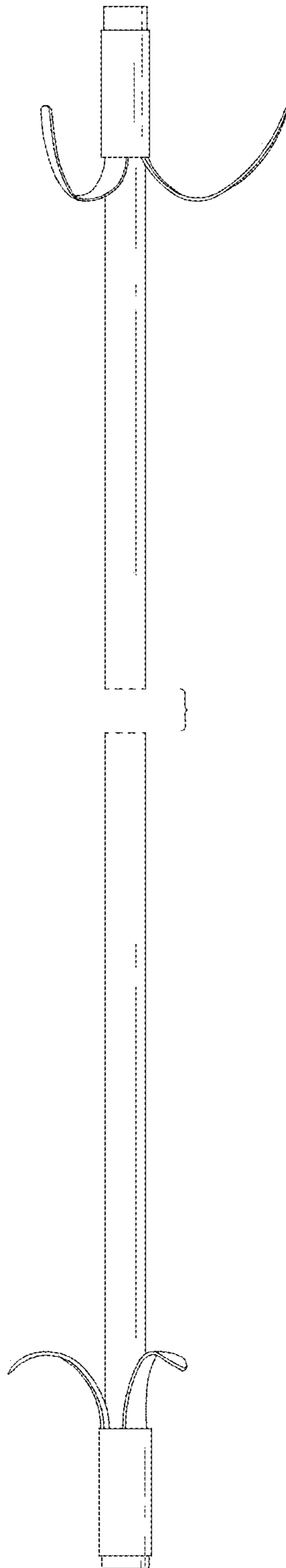
*FIG. 3*



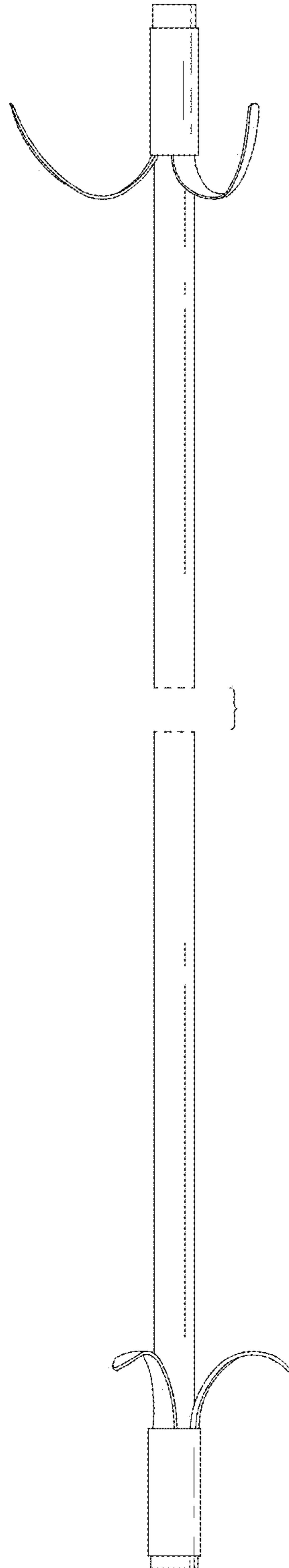
*FIG. 4*



*FIG. 5*

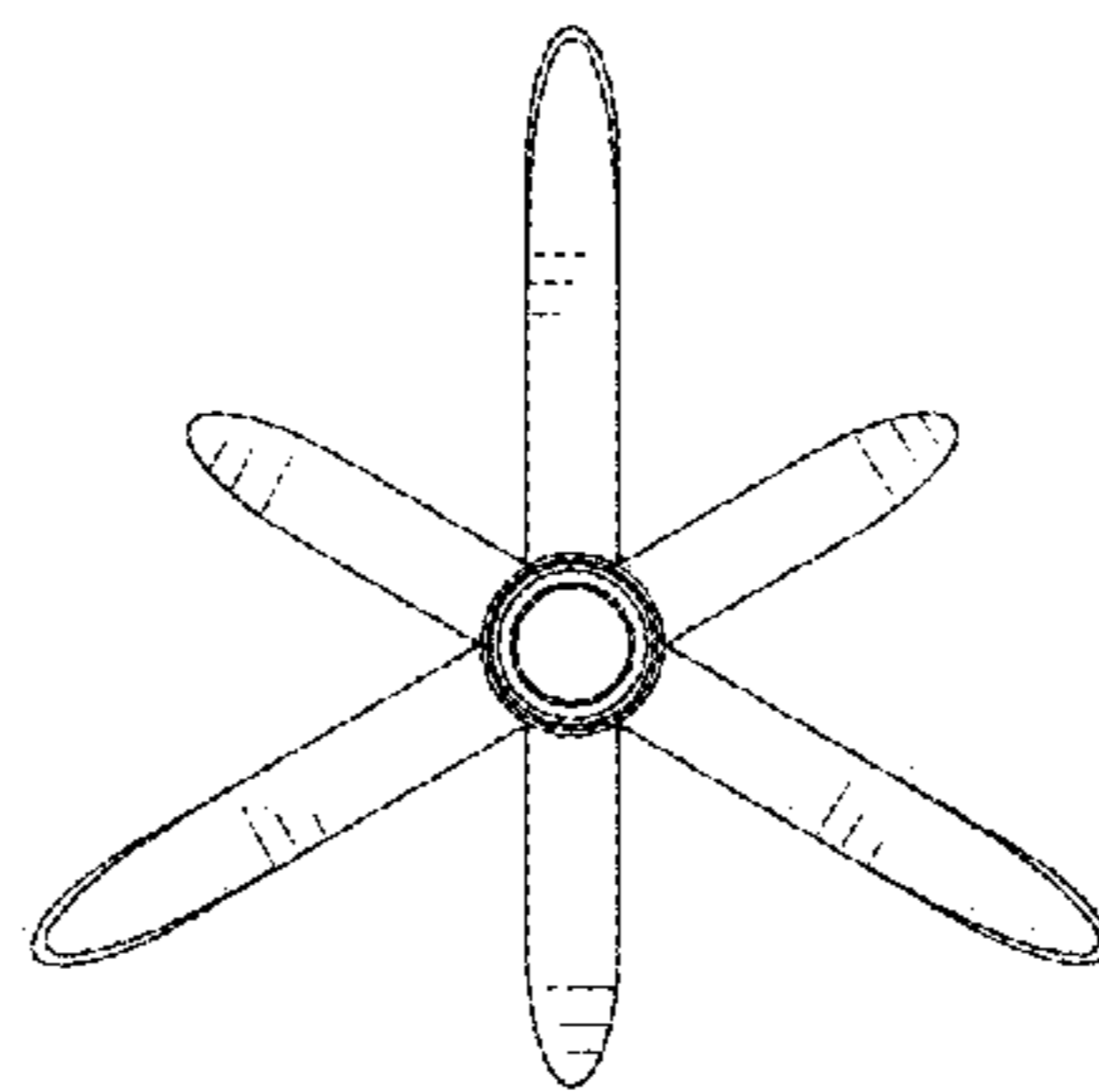


*FIG. 6*

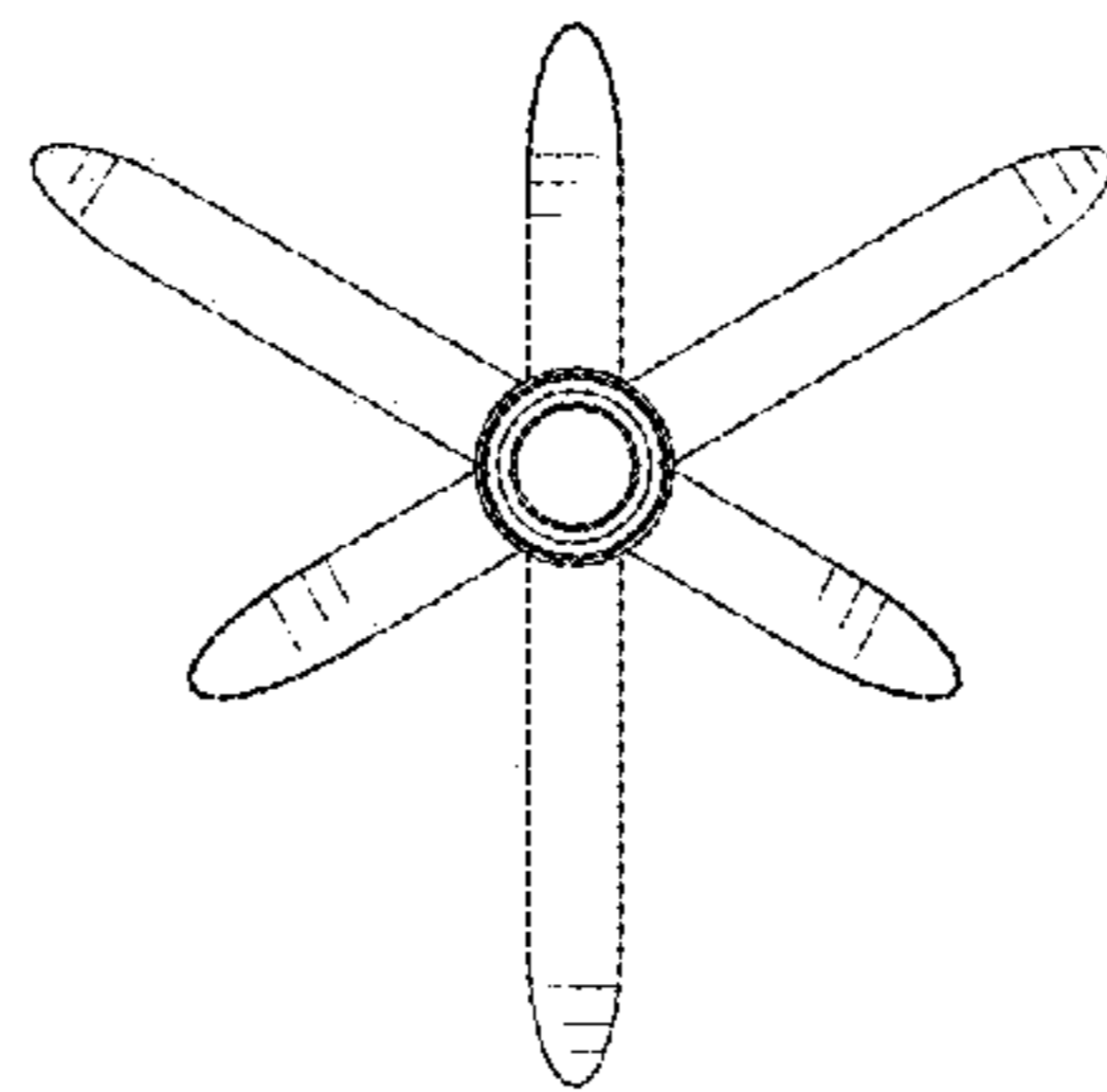




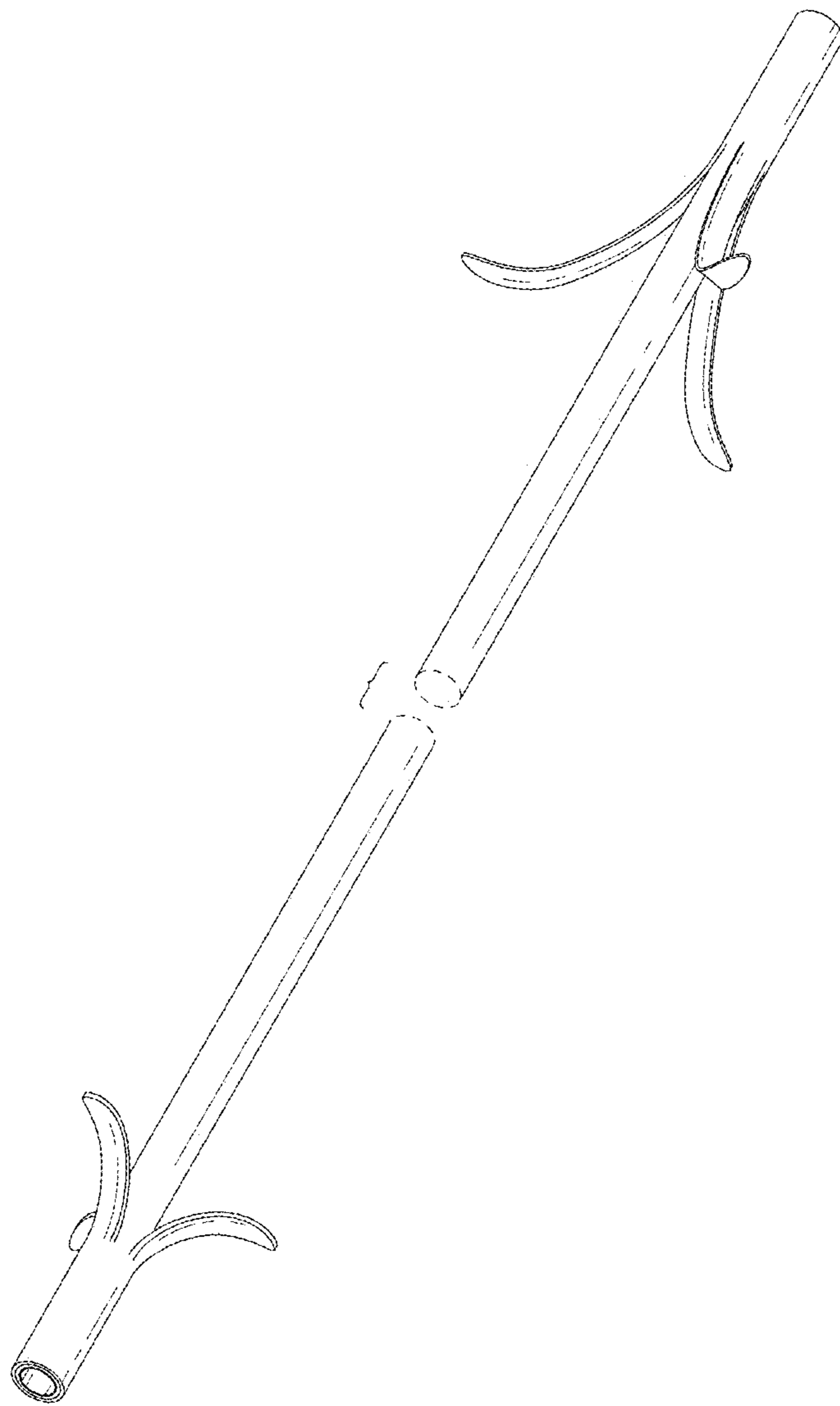
*FIG. 7*



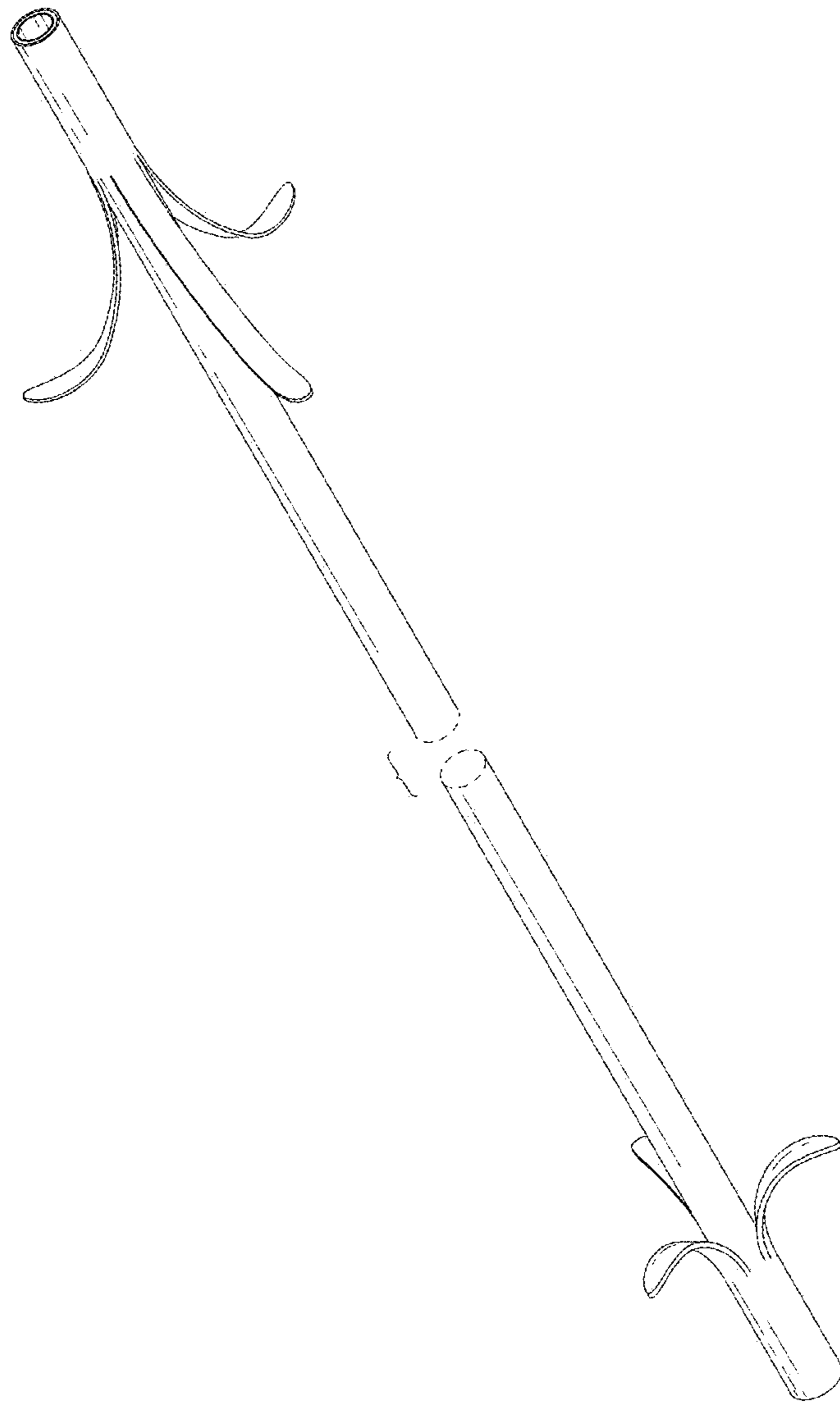
*FIG. 8*



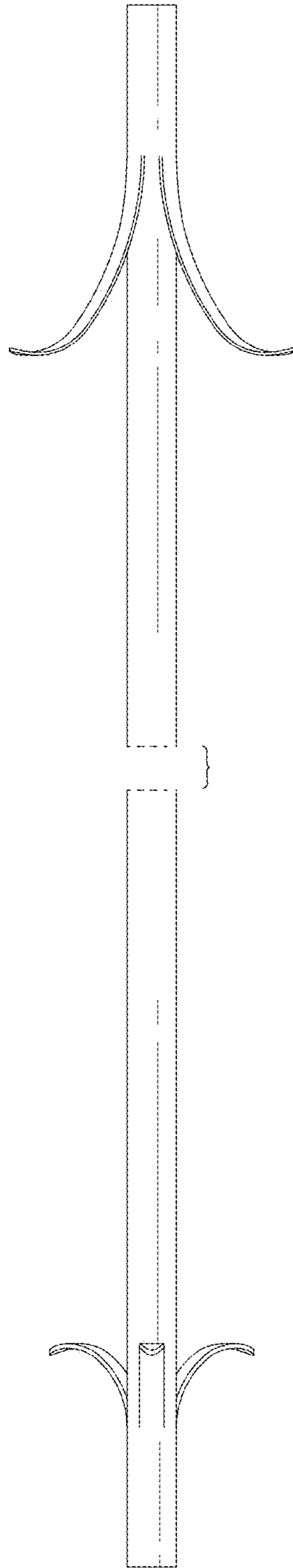
*FIG. 9*



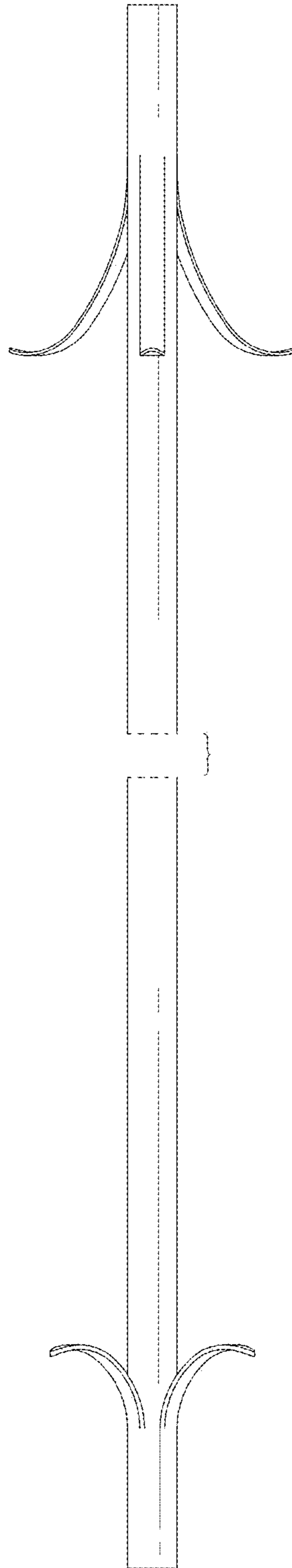
*FIG. 10*



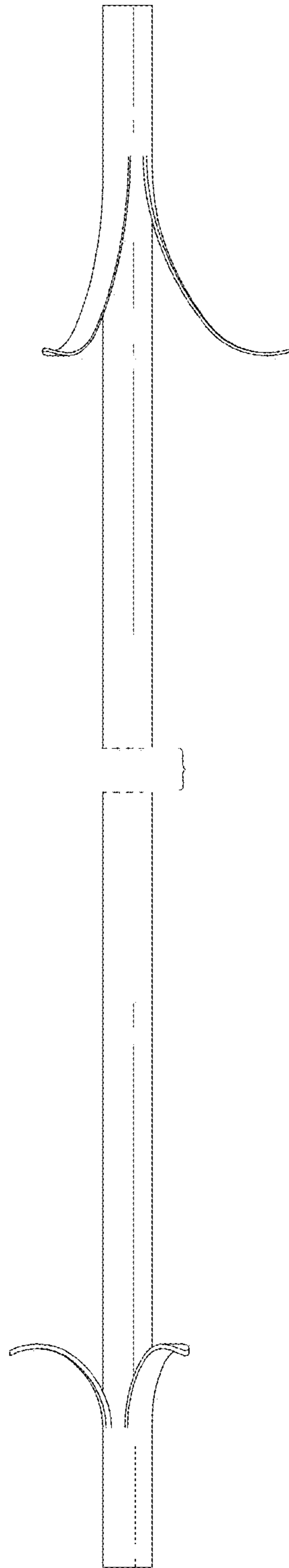
*FIG. 11*



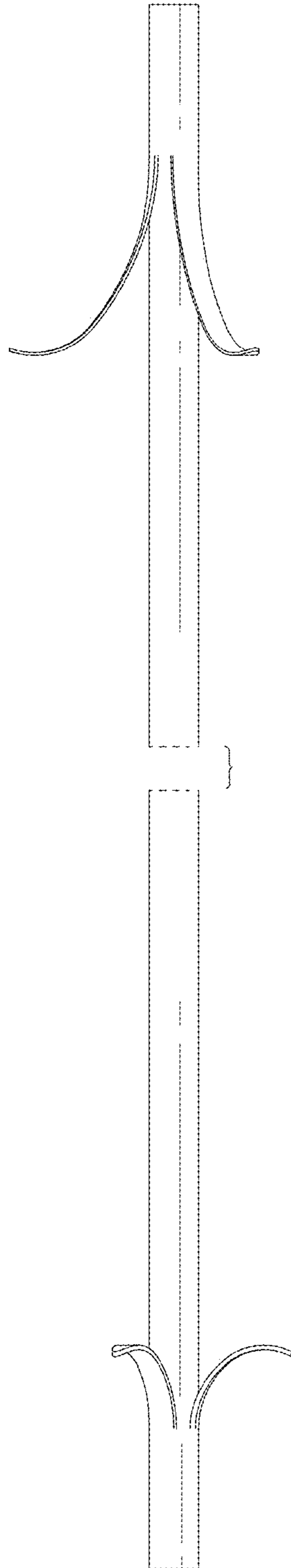
*FIG. 12*



*FIG. 13*

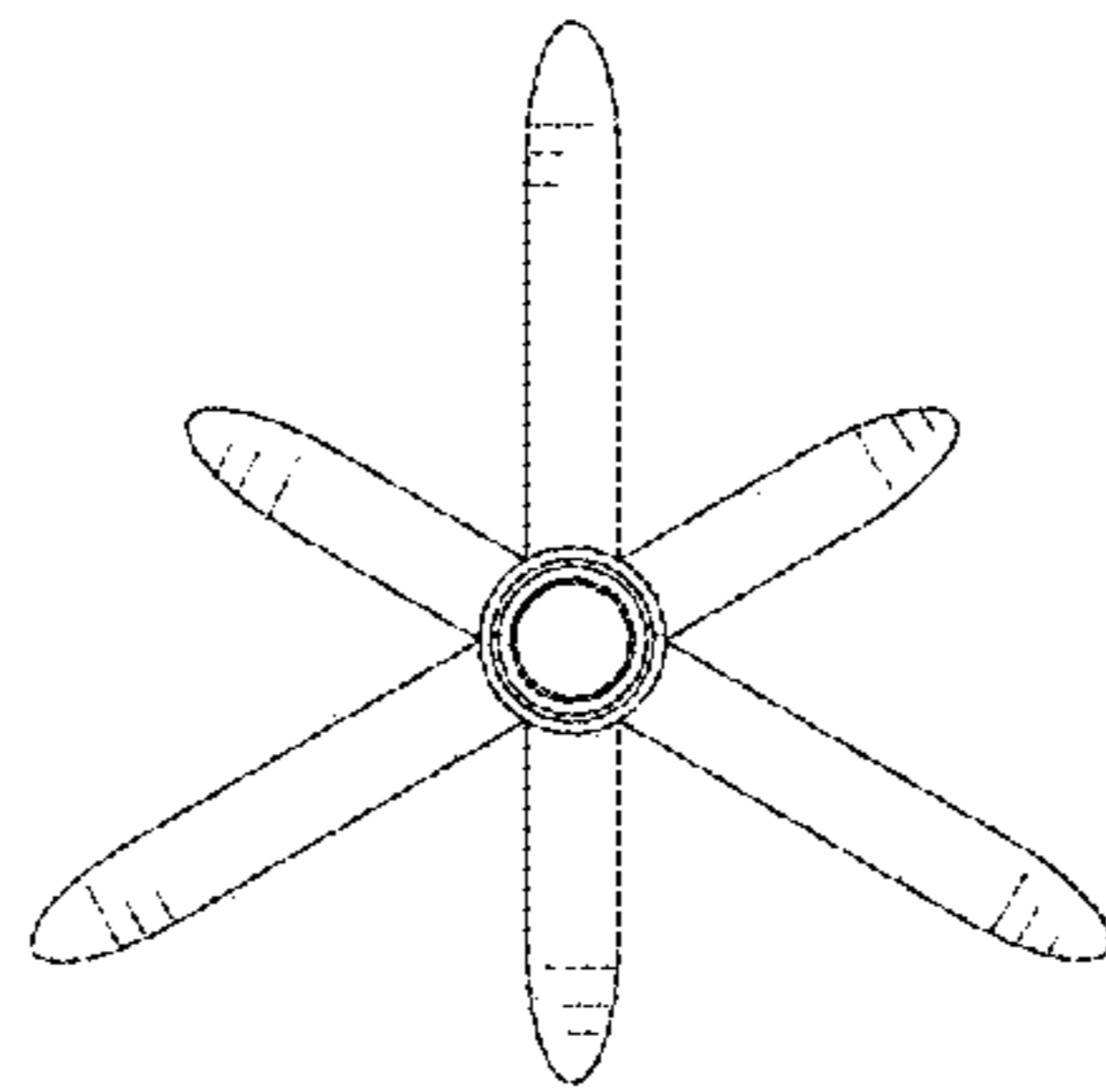


*FIG. 14*

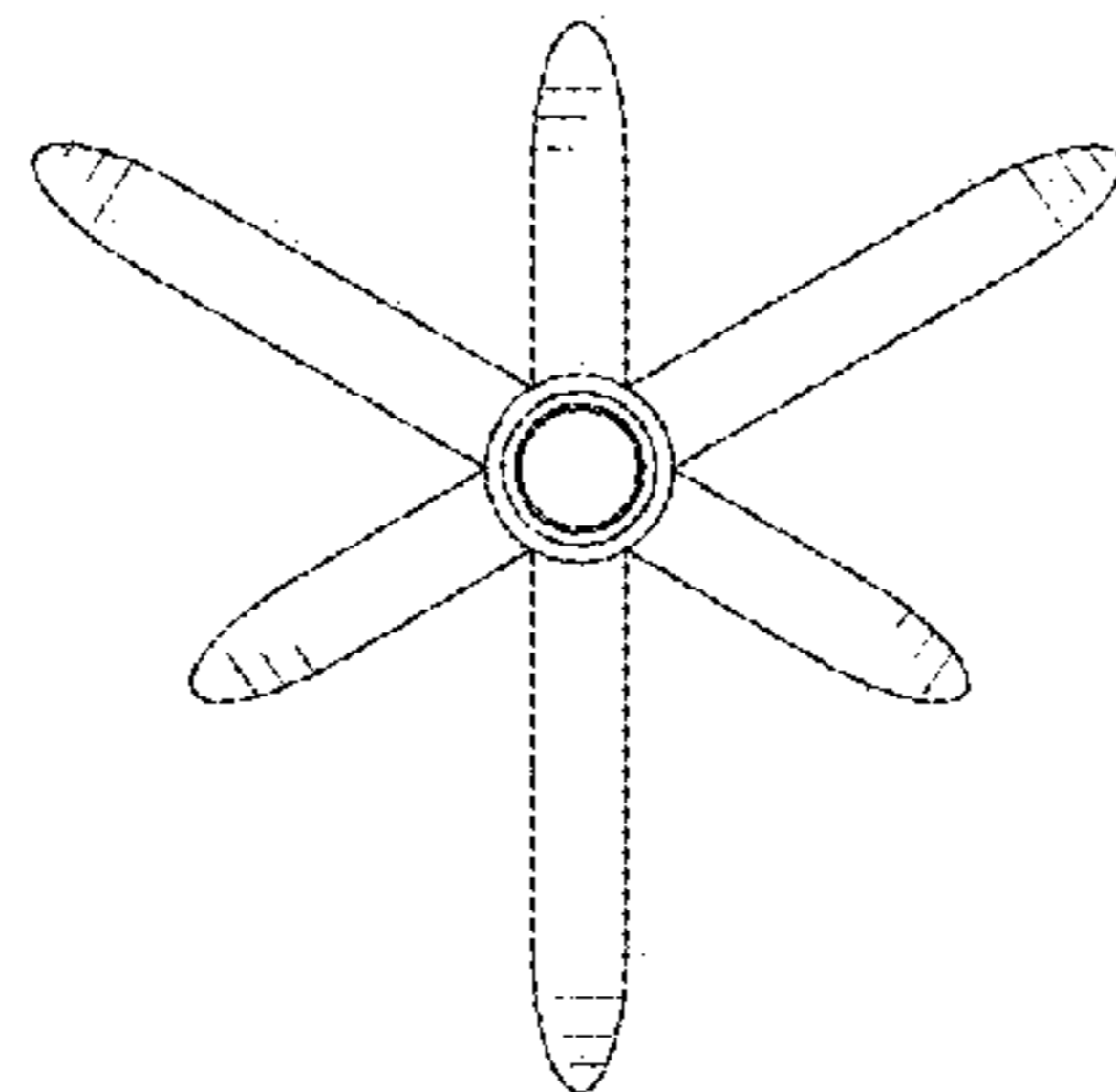




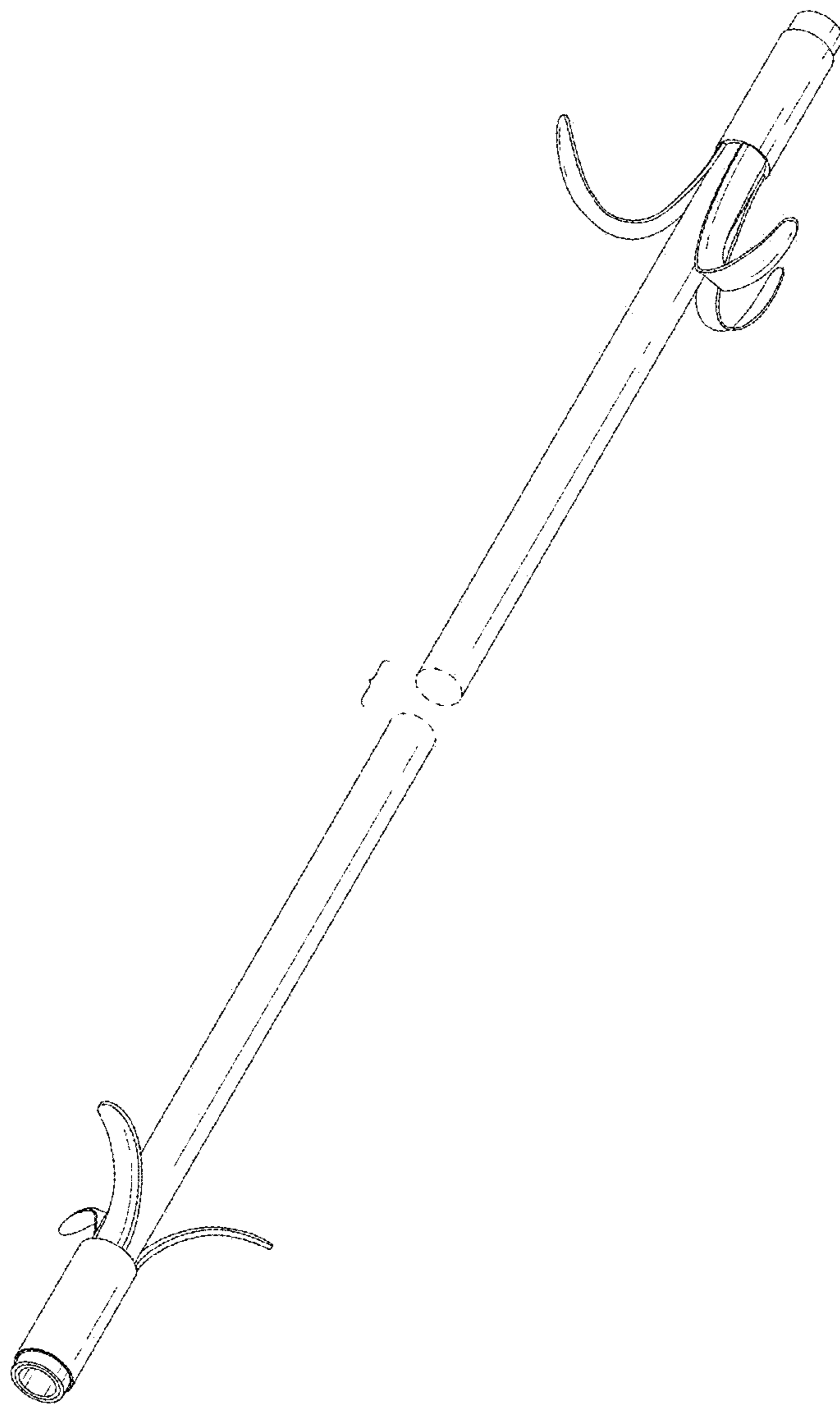
*FIG. 15*



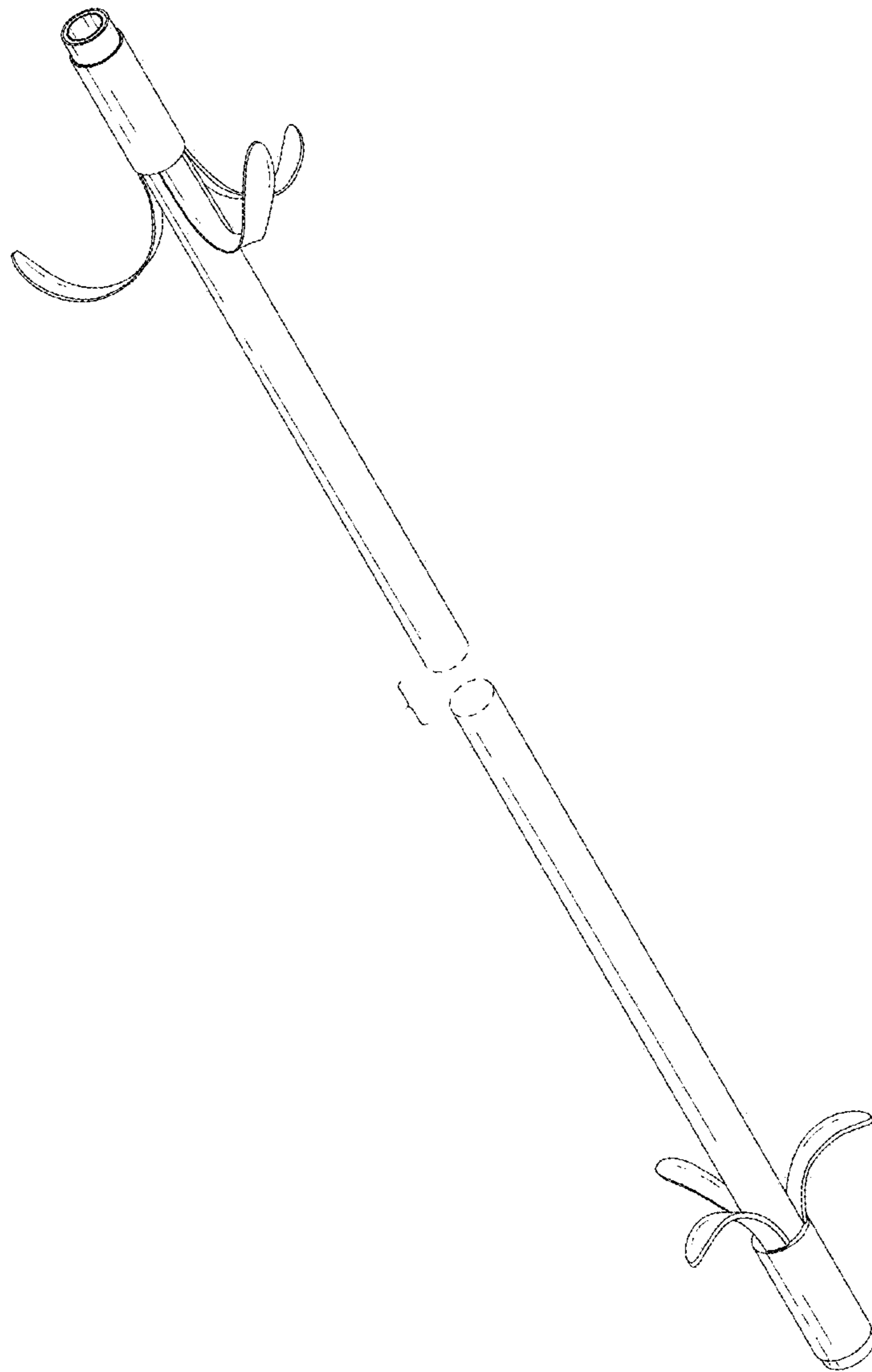
*FIG. 16*



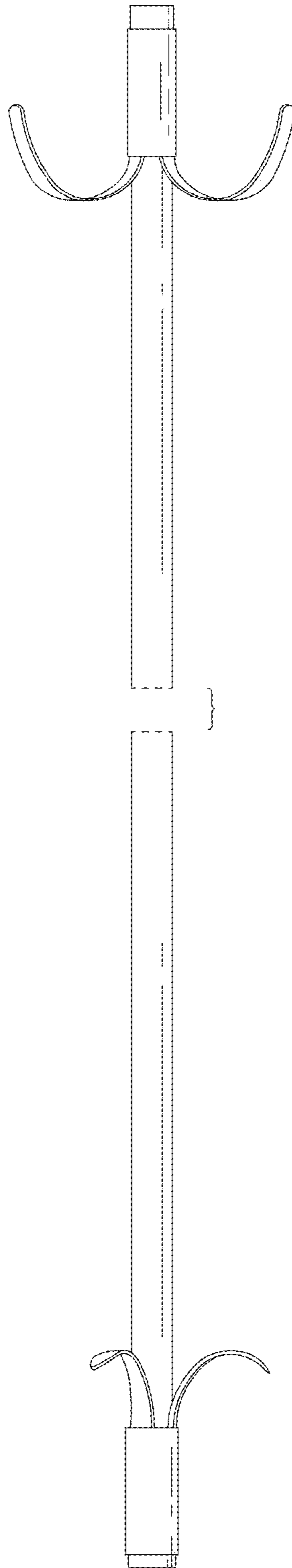
*FIG. 17*



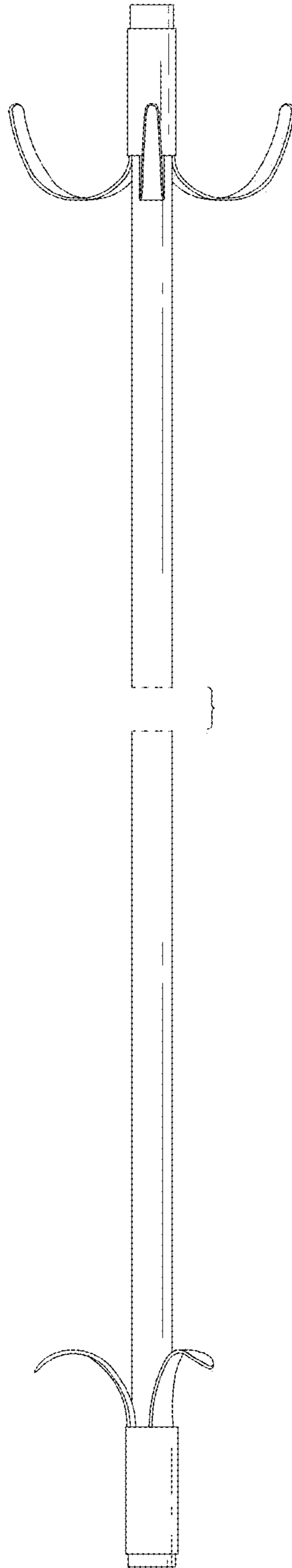
*FIG. 18*



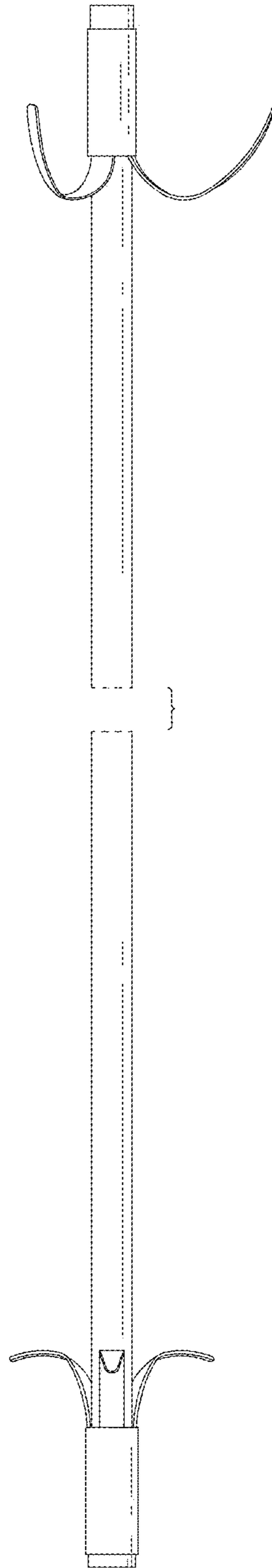
*FIG. 19*



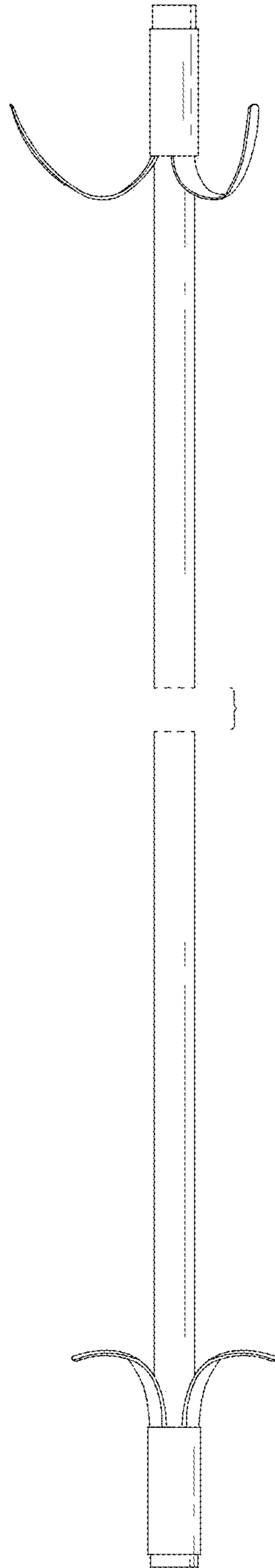
*FIG. 20*



*FIG. 21*

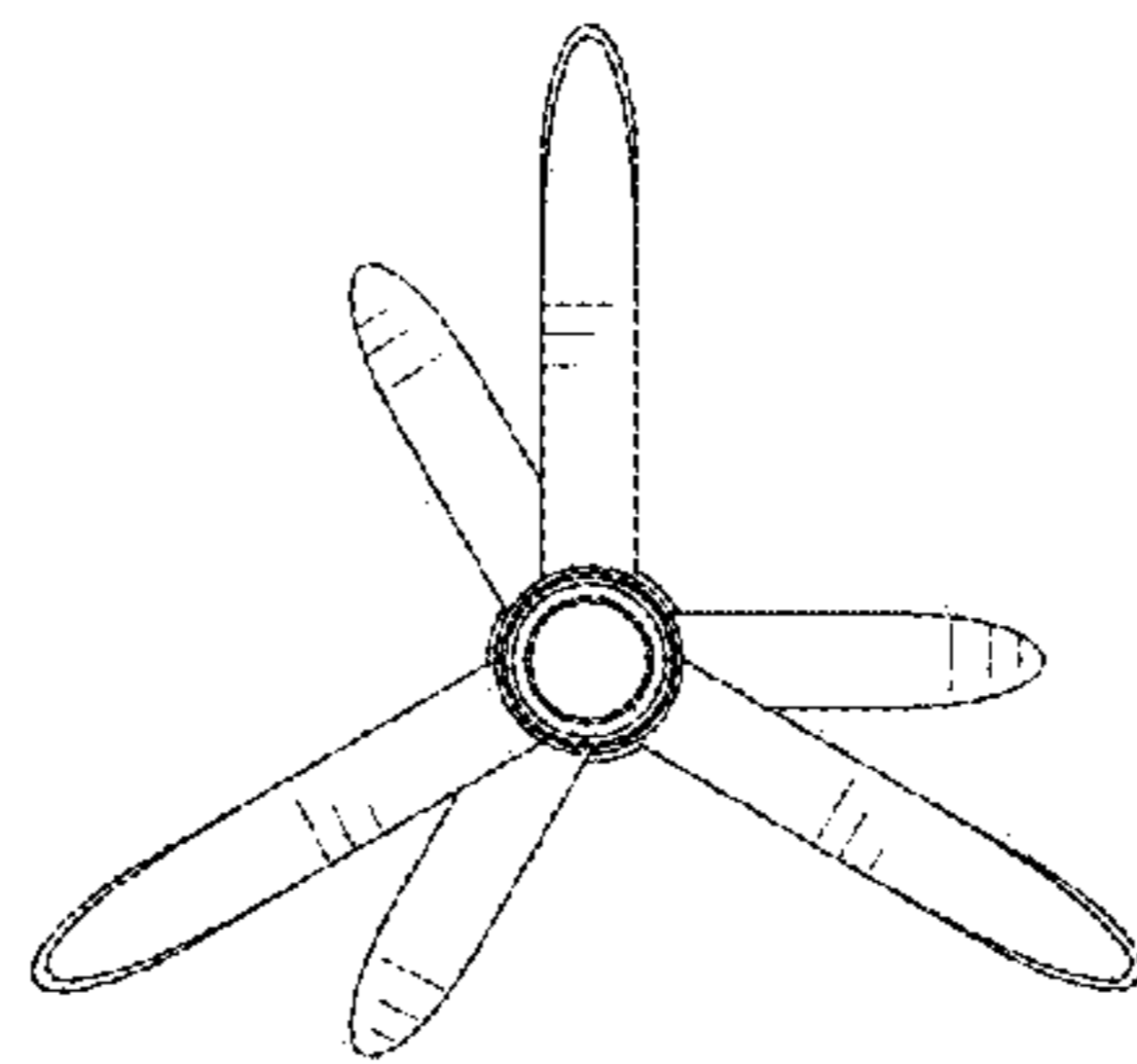


*FIG. 22*

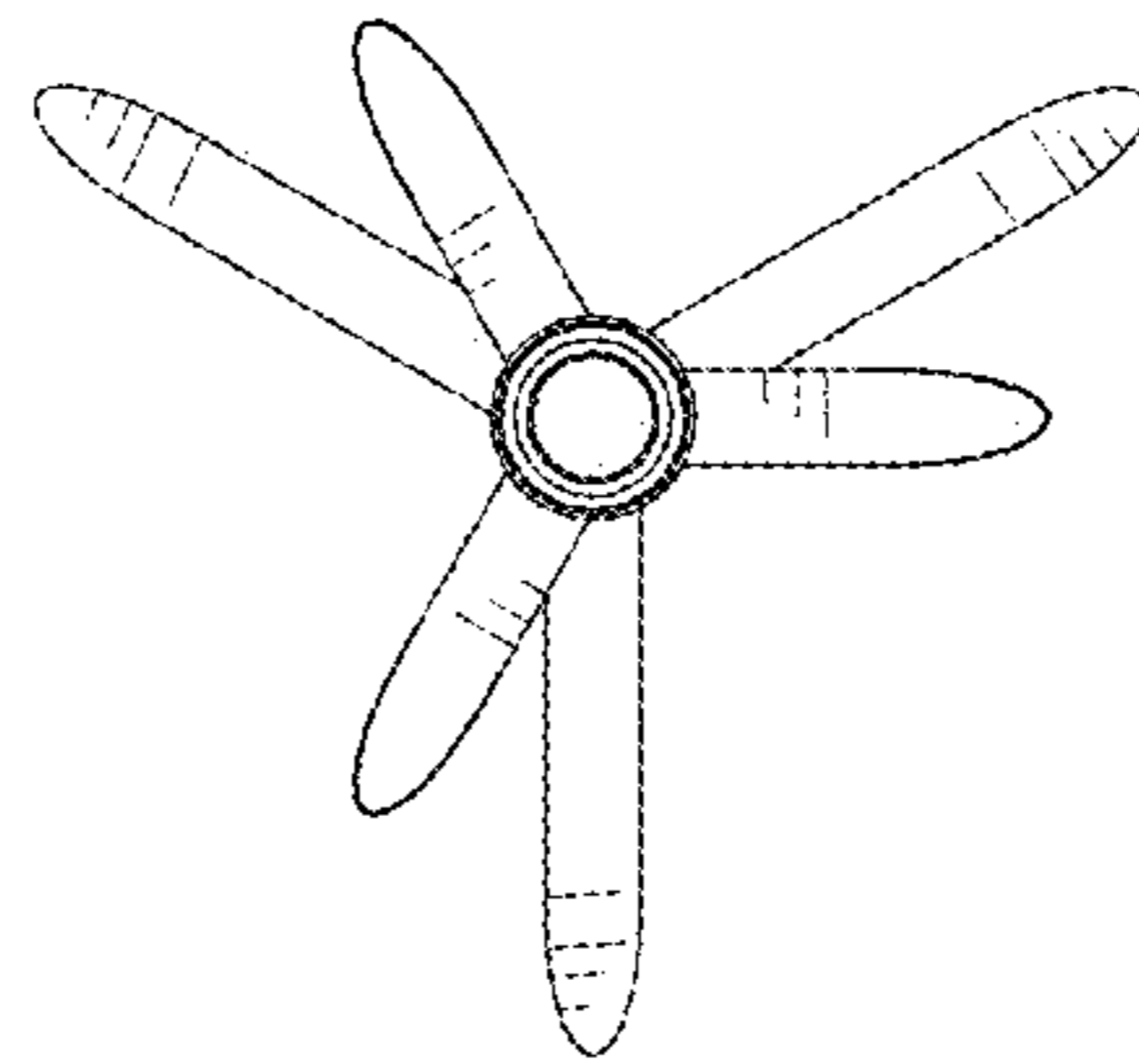




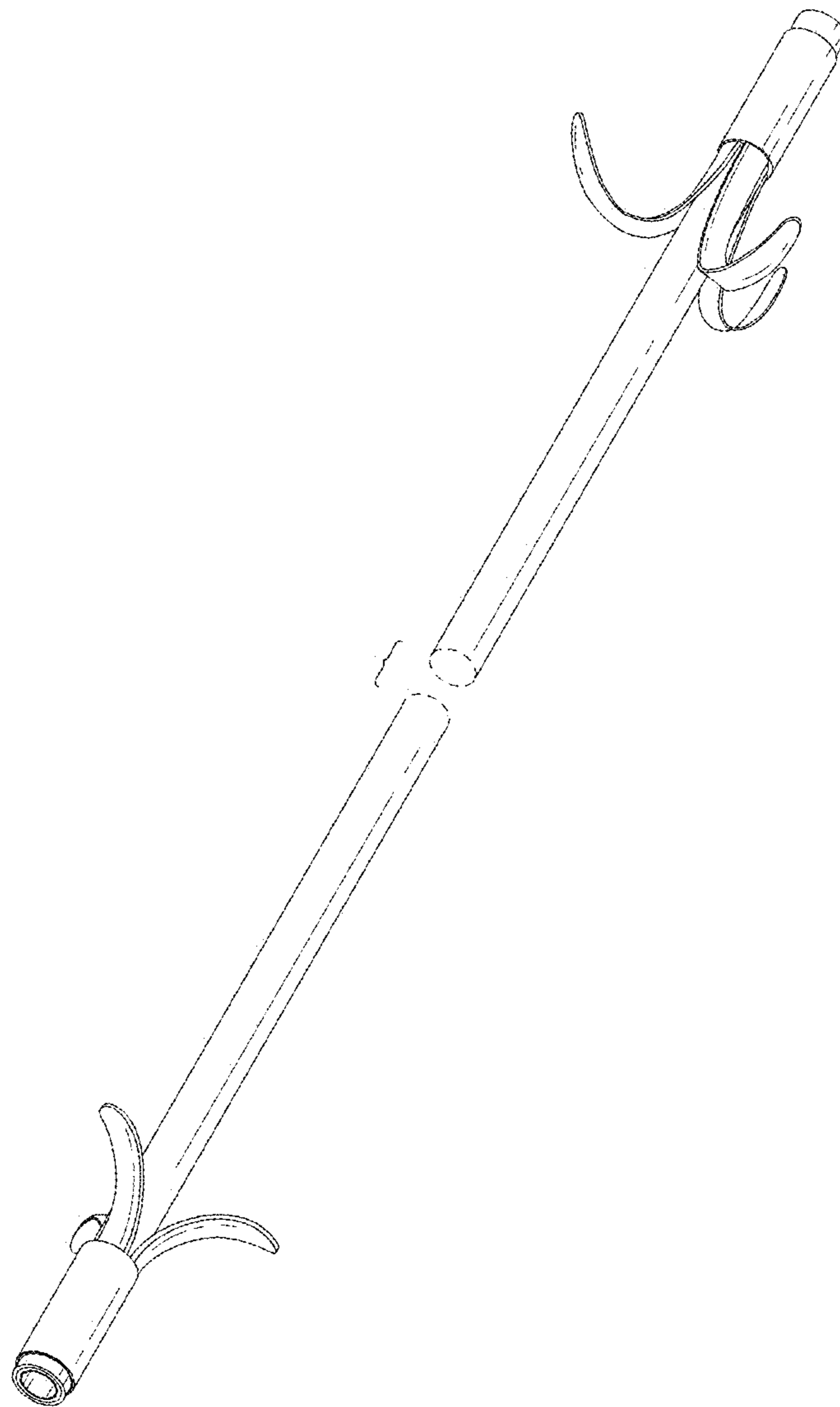
*FIG. 23*



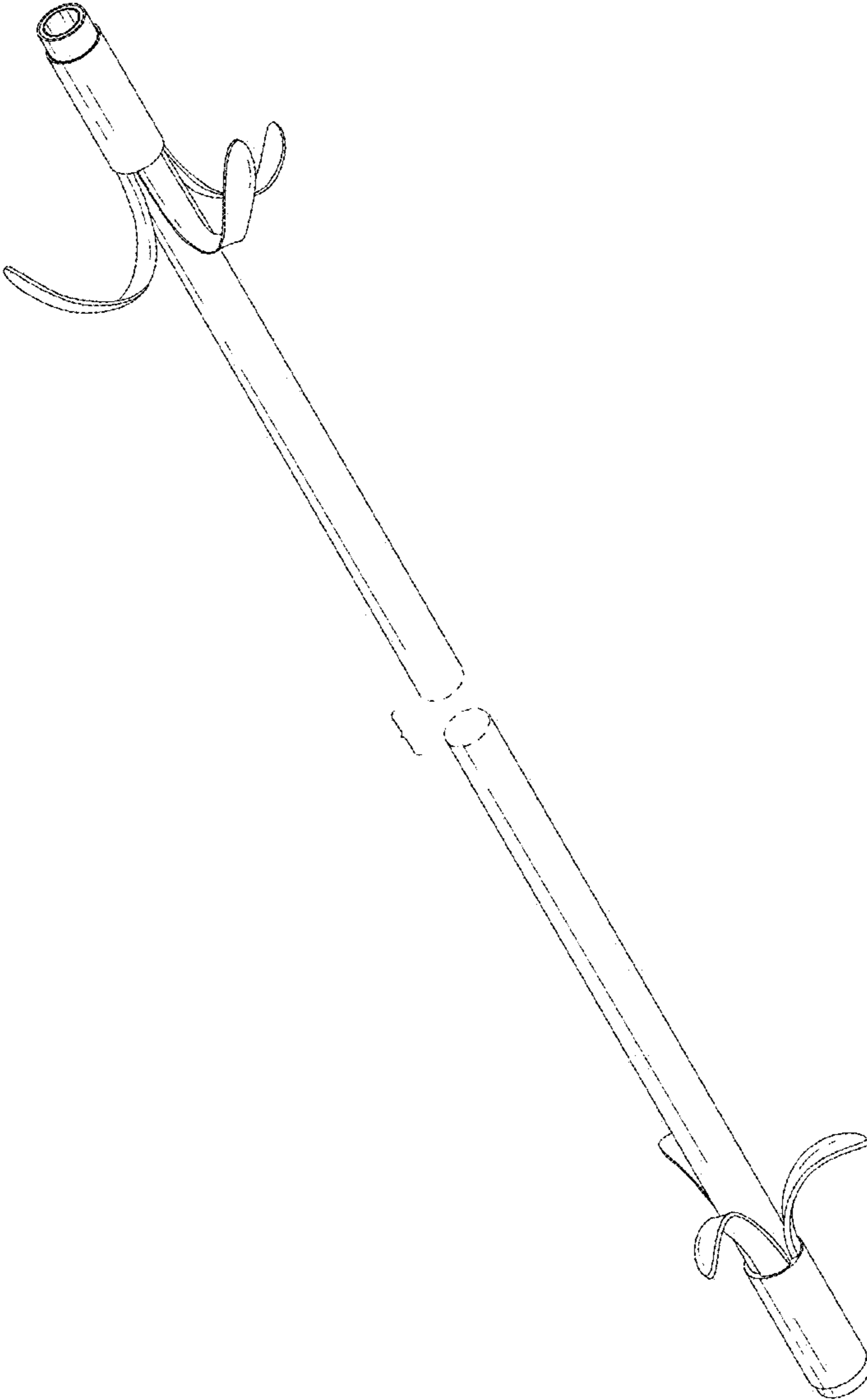
*FIG. 24*



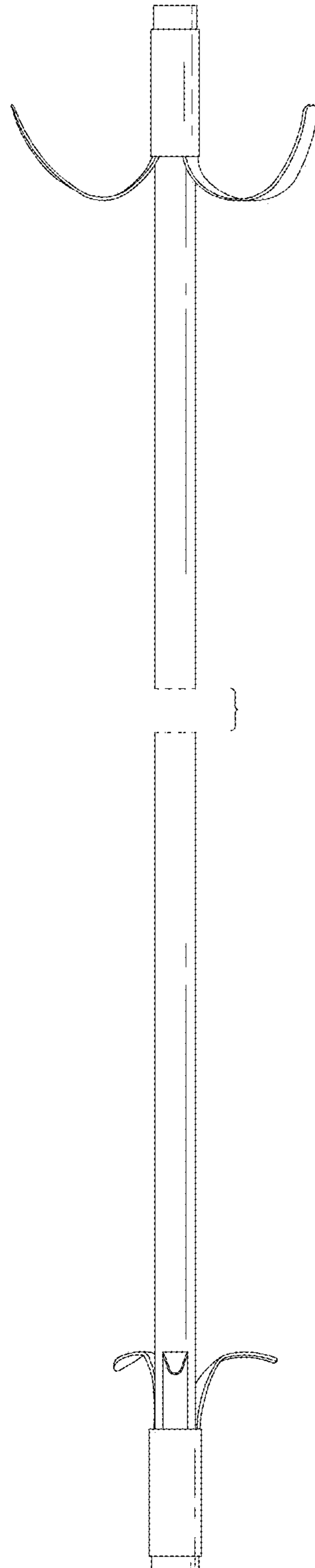
*FIG. 25*



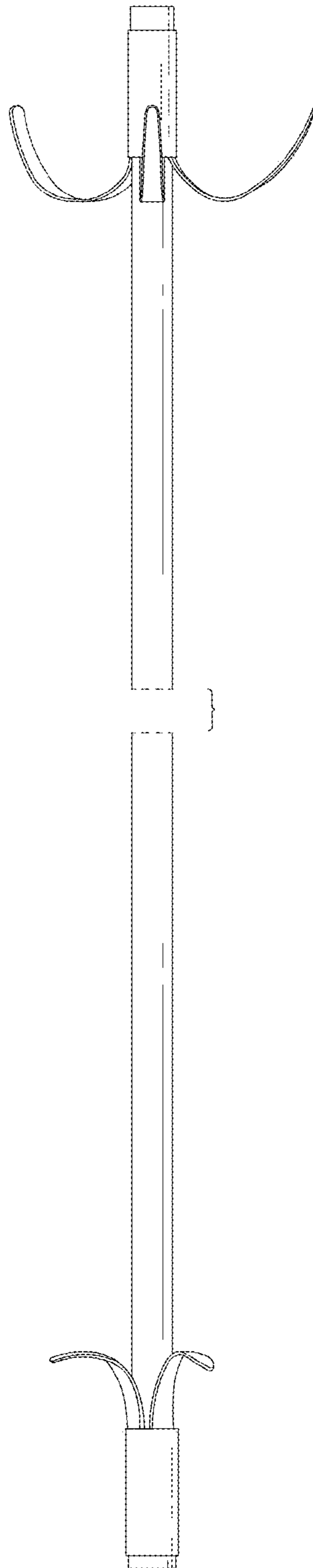
*FIG. 26*



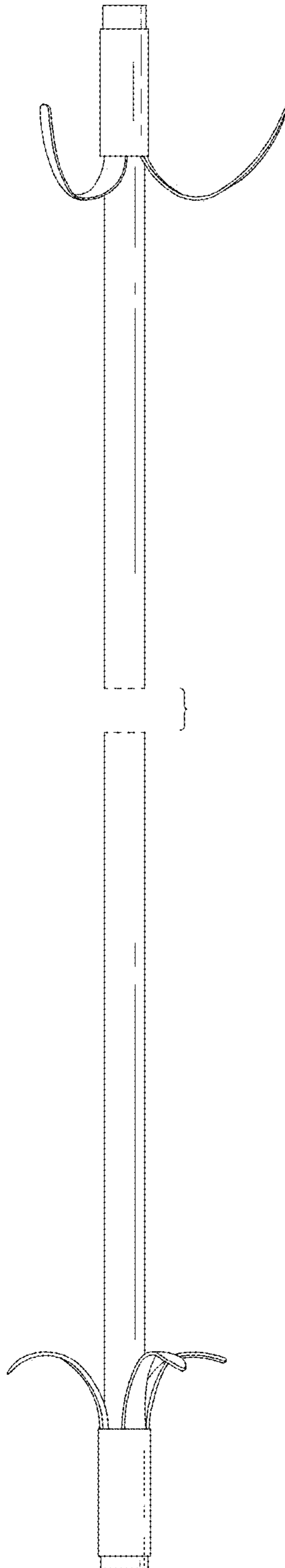
*FIG. 27*



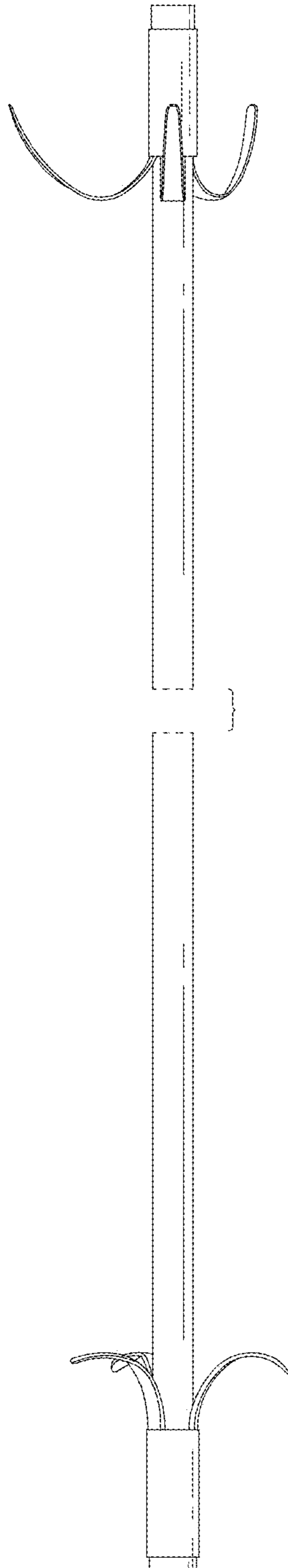
*FIG. 28*



*FIG. 29*

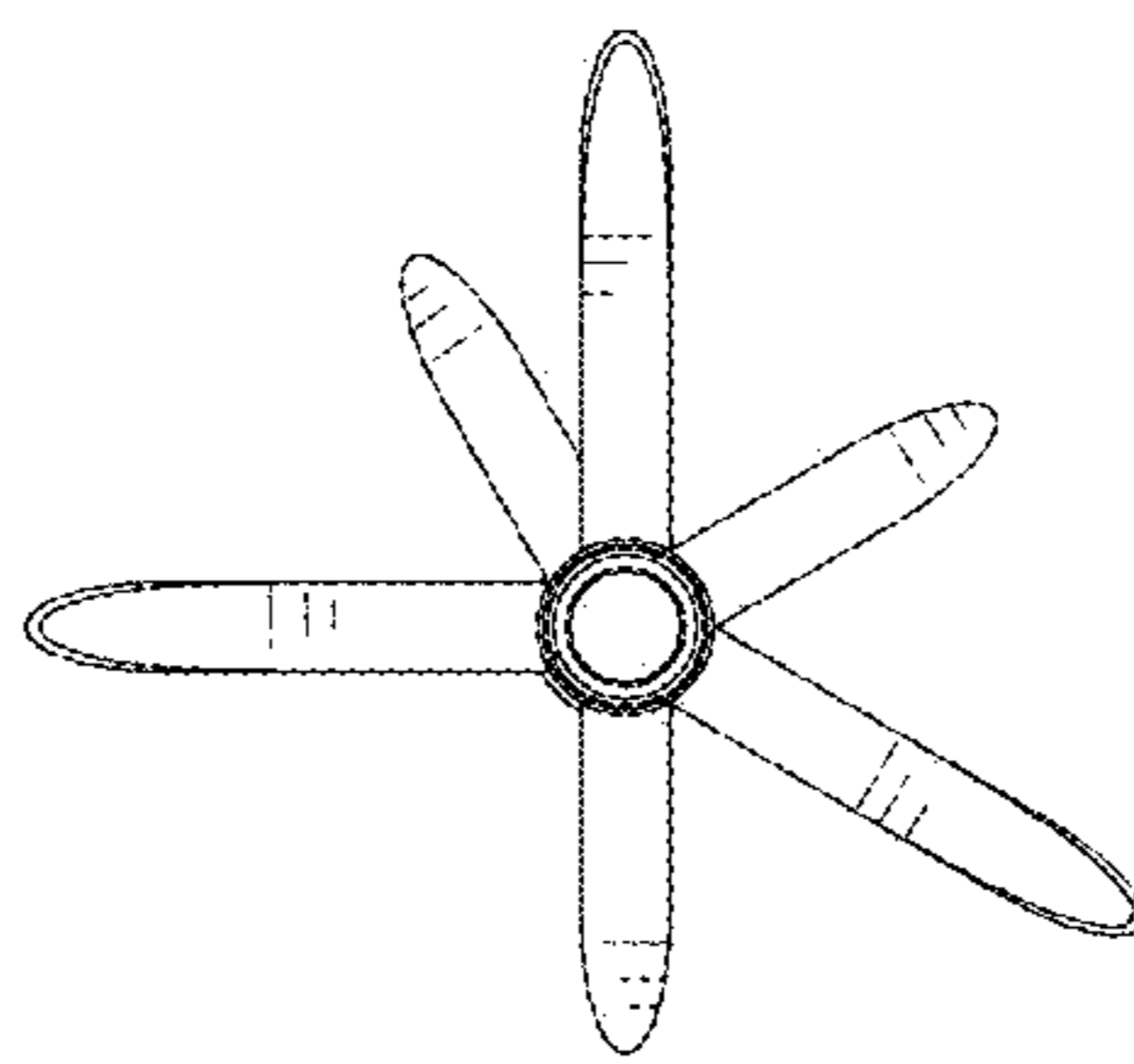


*FIG. 30*

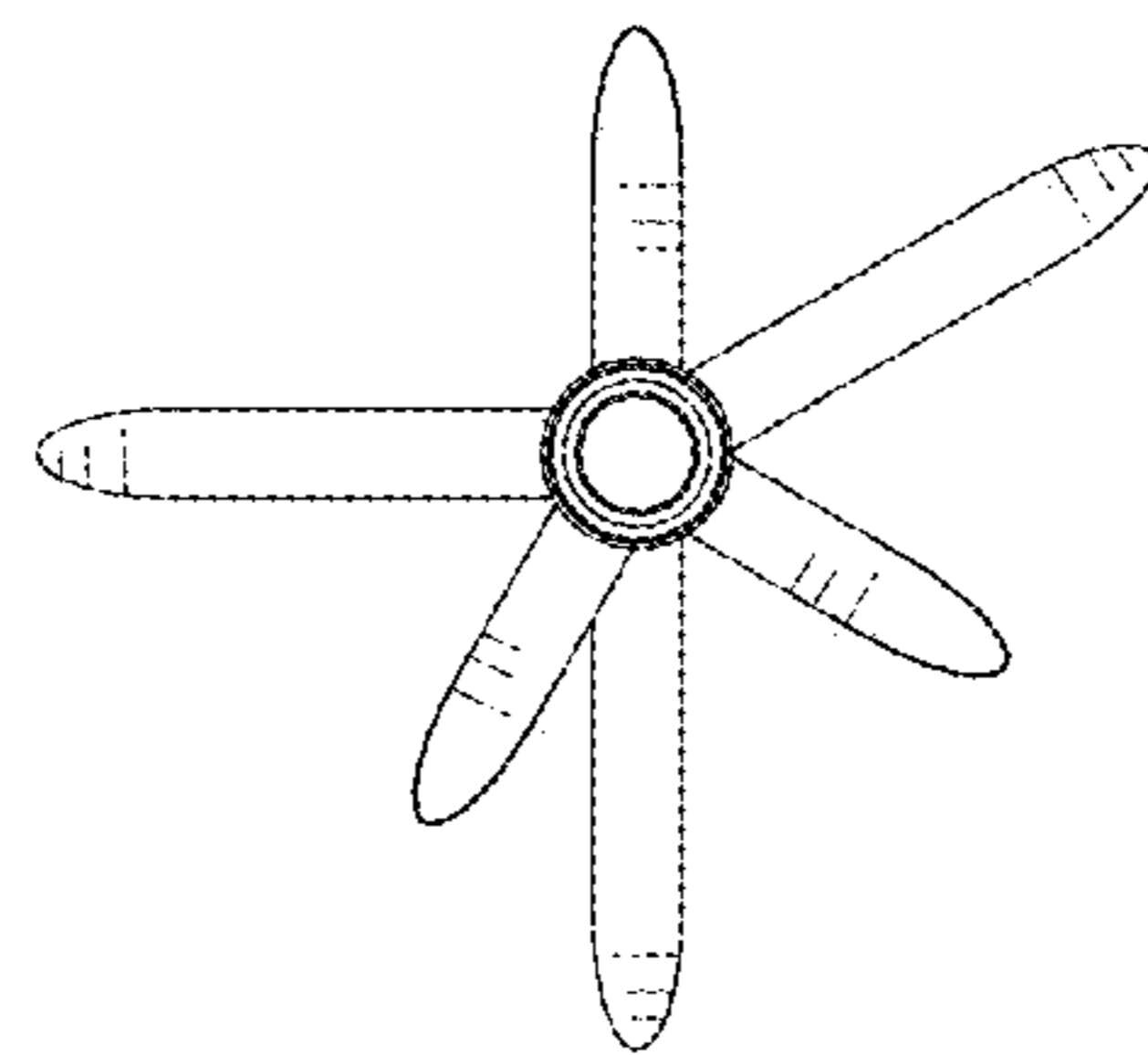




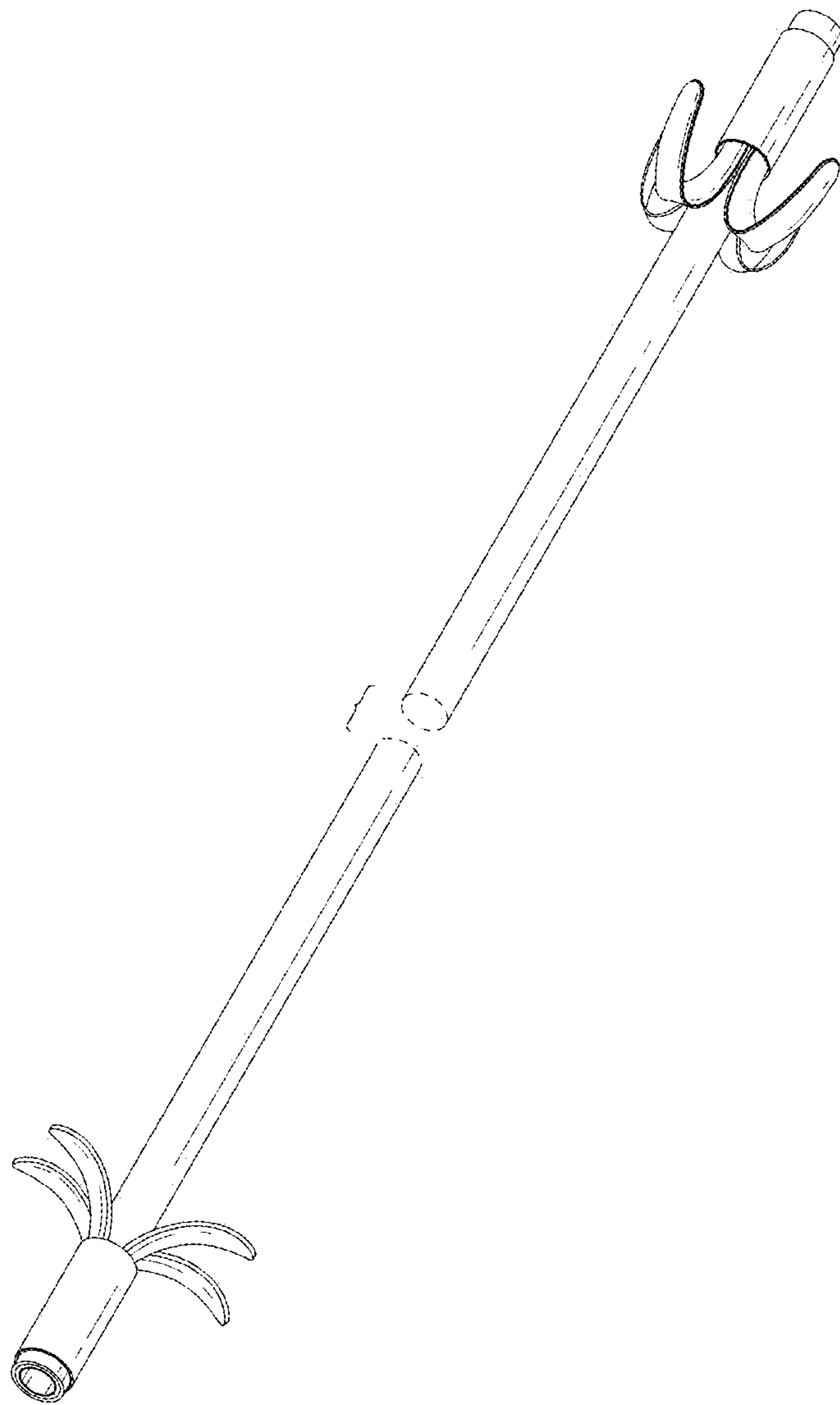
*FIG. 31*



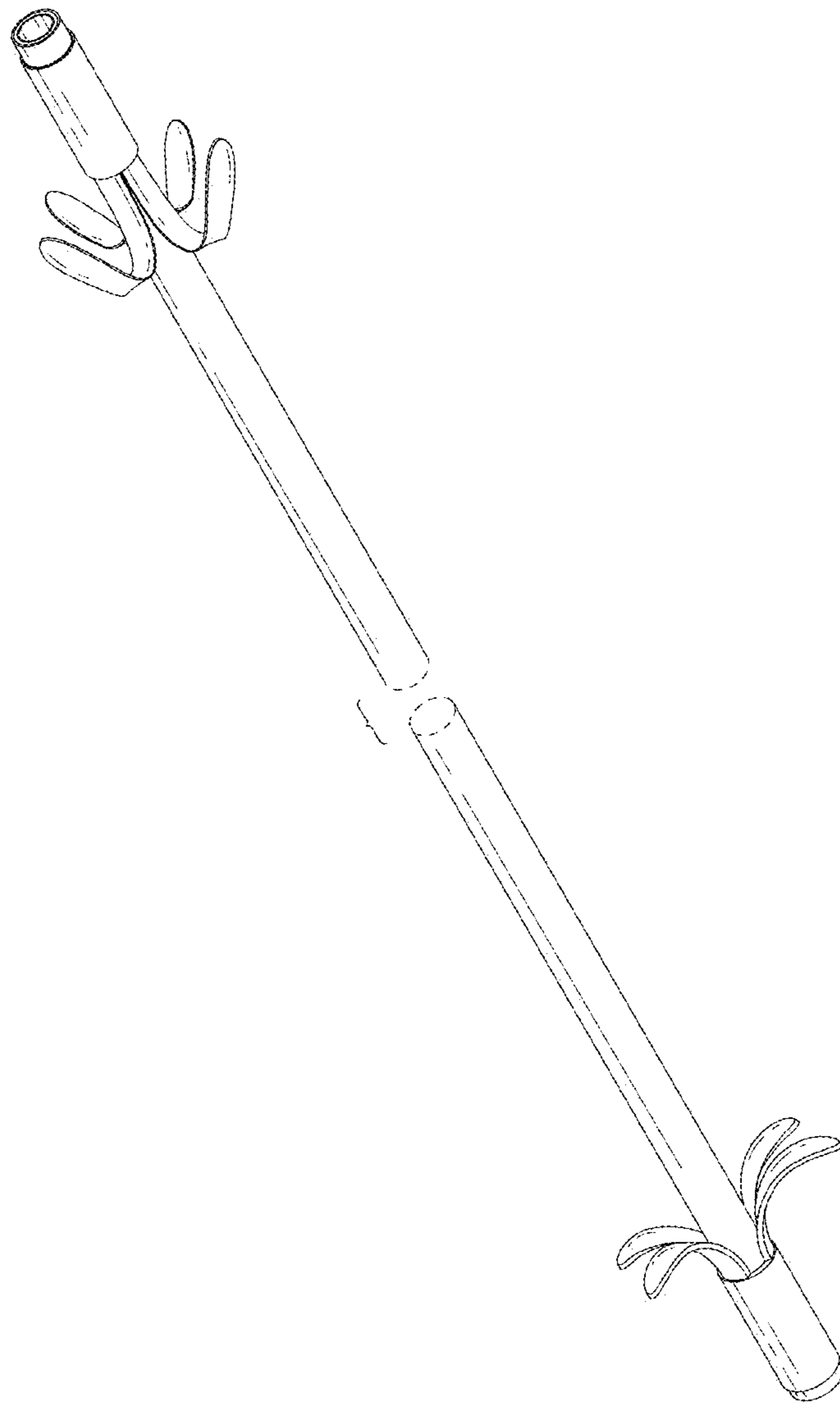
*FIG. 32*



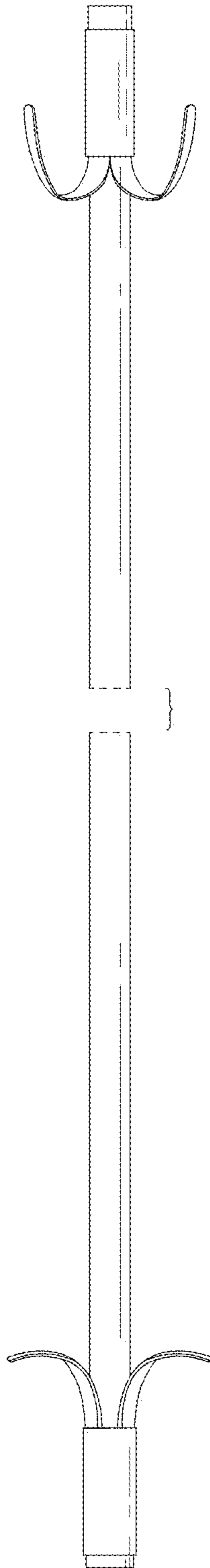
*FIG. 33*



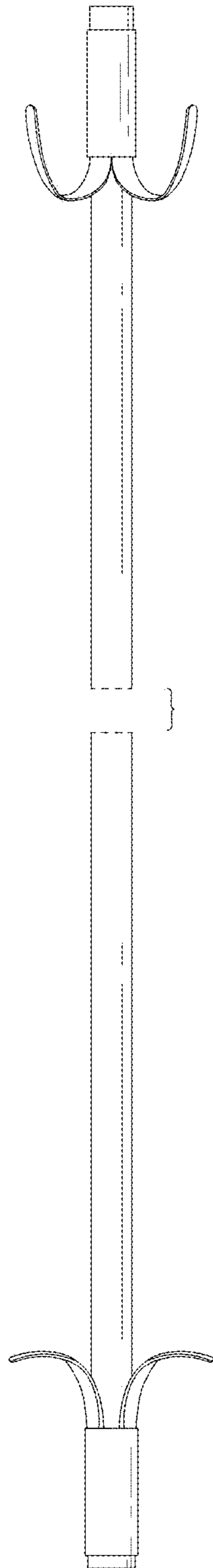
*FIG. 34*



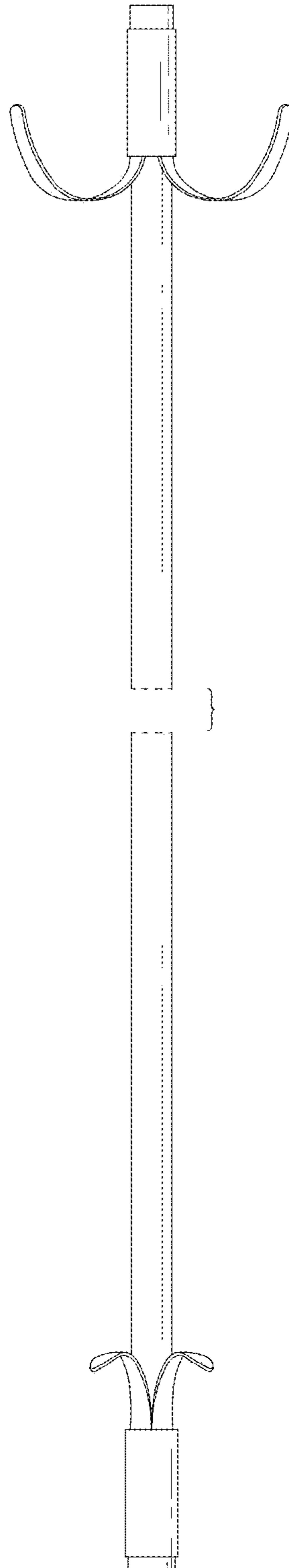
*FIG. 35*



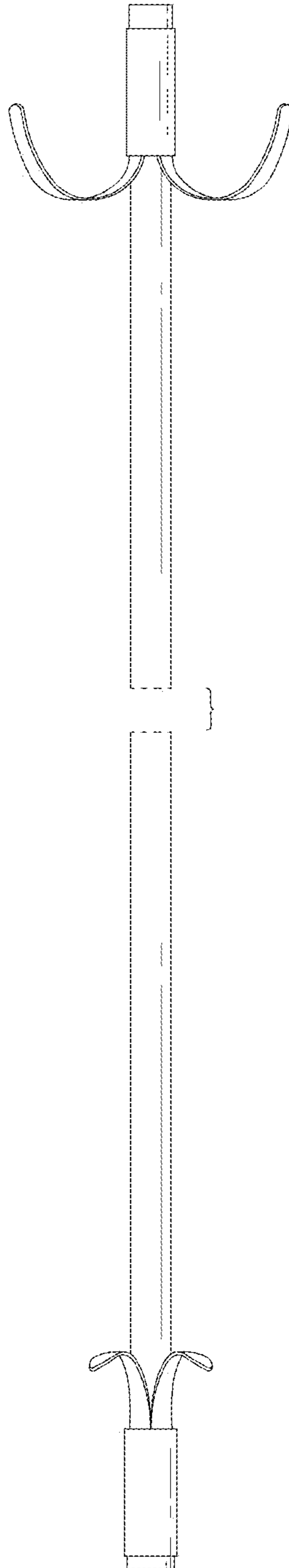
*FIG. 36*



*FIG. 37*

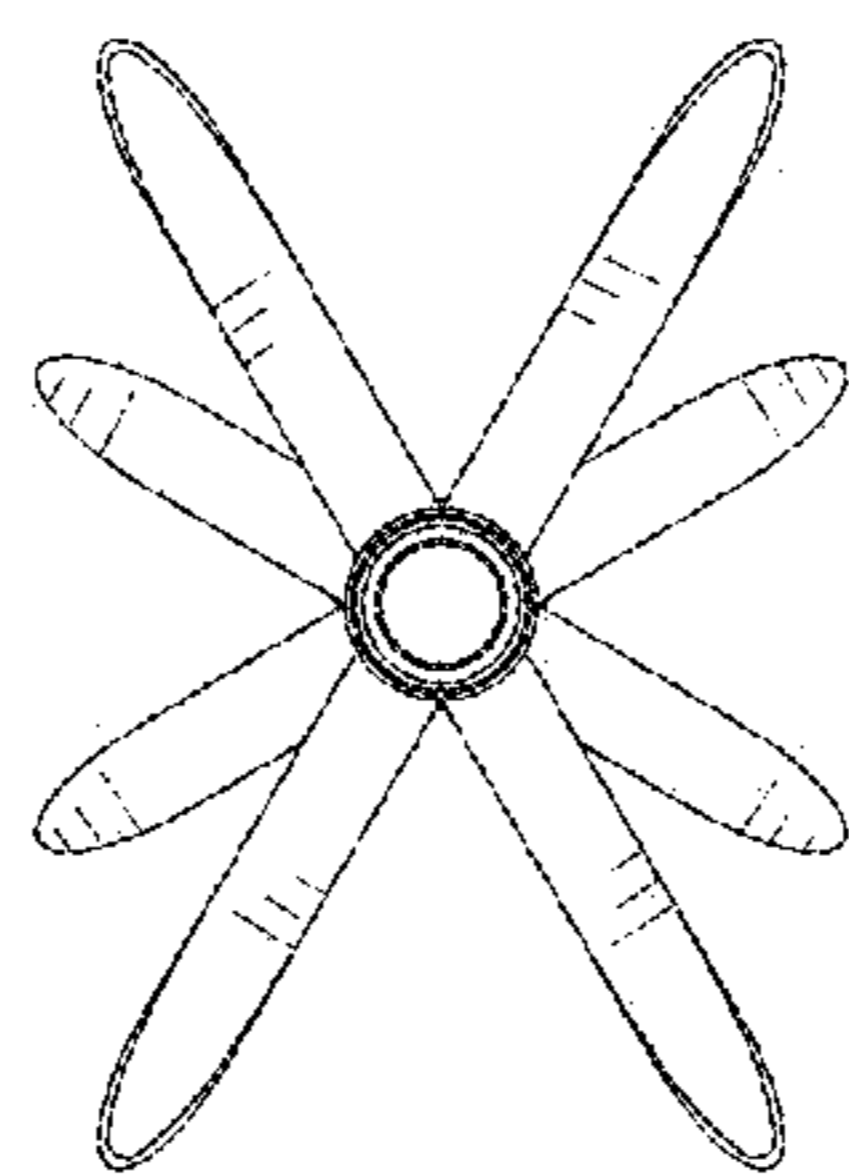


*FIG. 38*

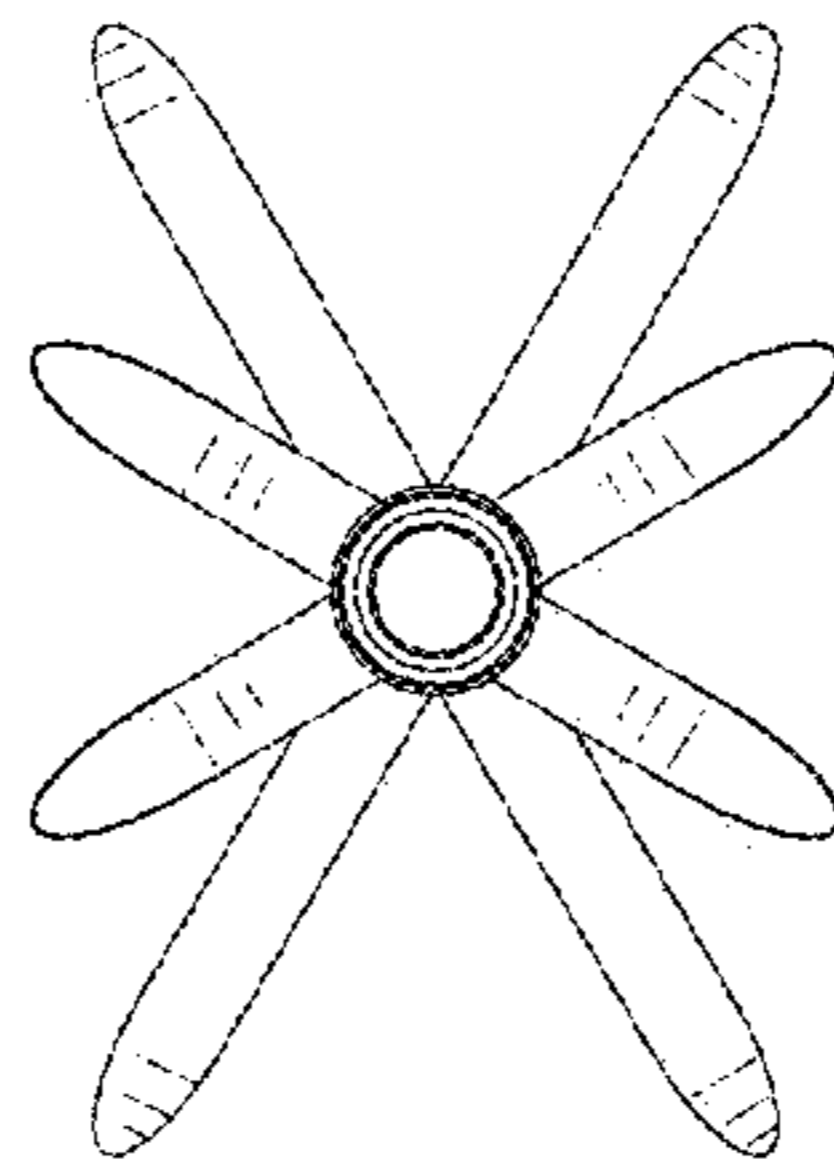




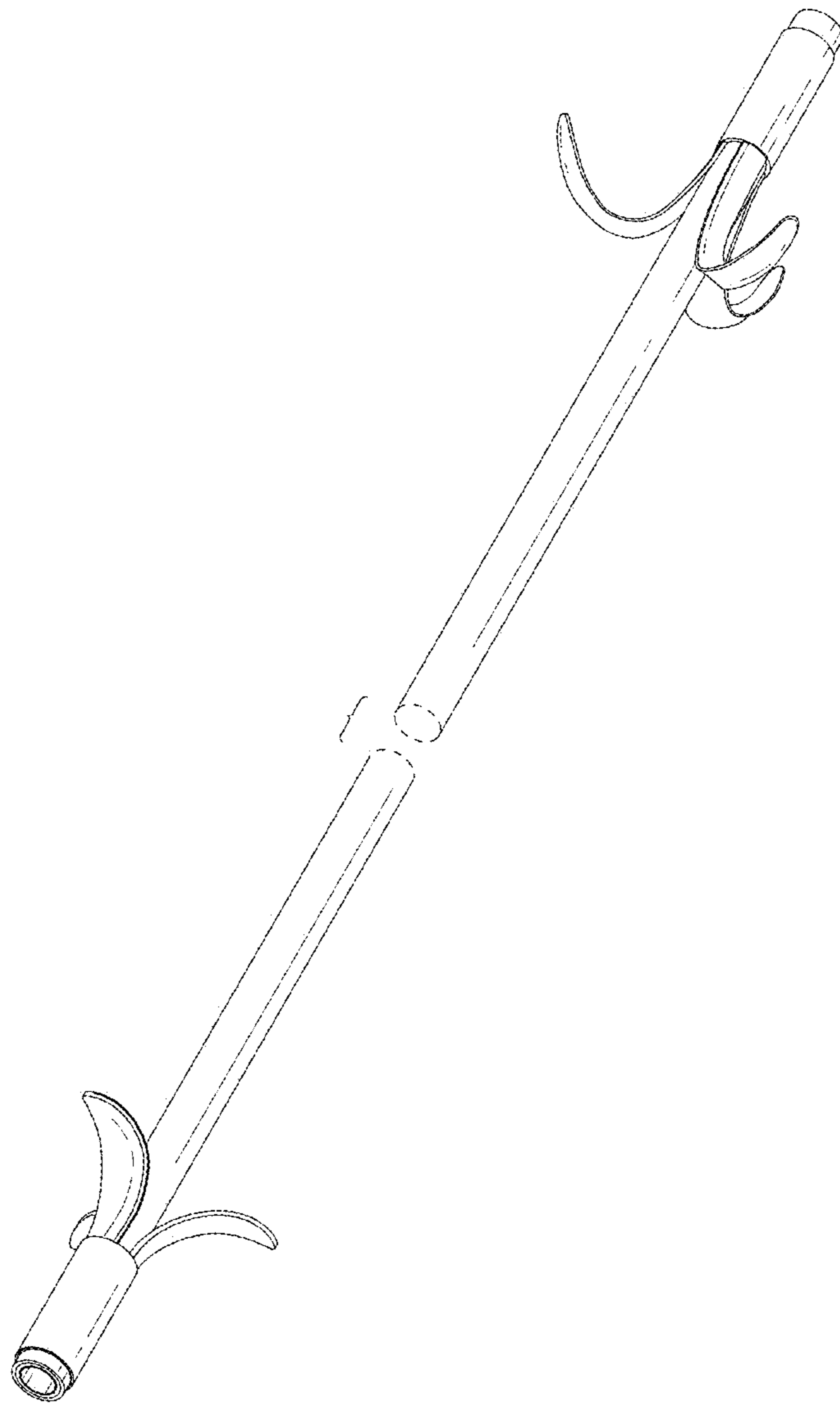
*FIG. 39*



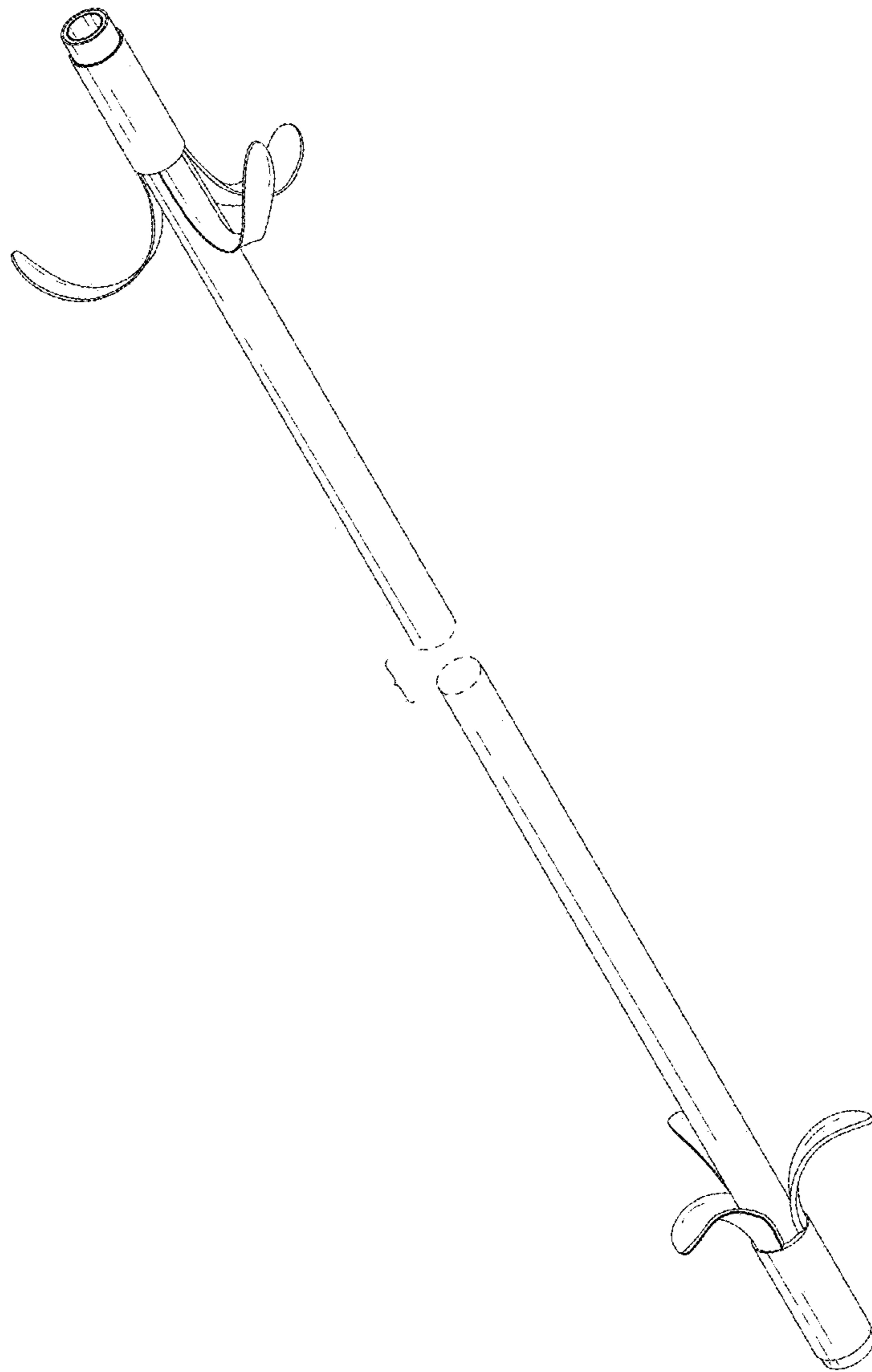
*FIG. 40*



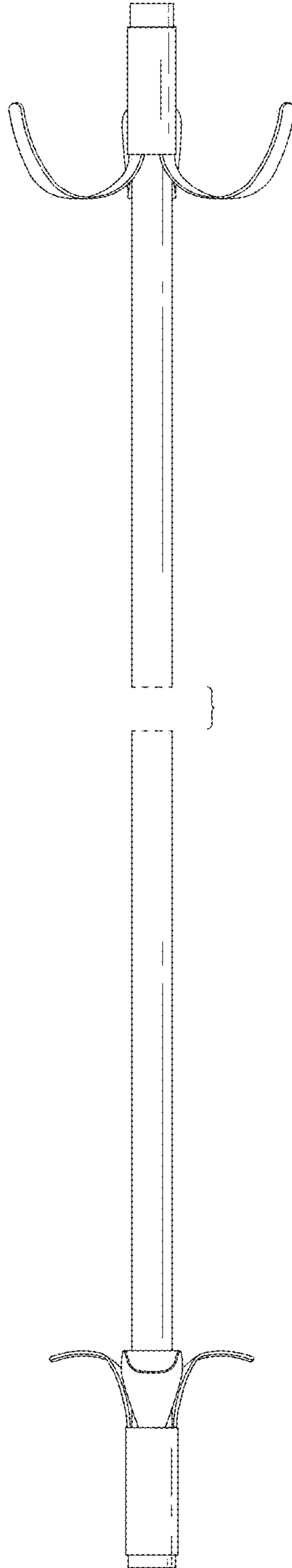
*FIG. 41*



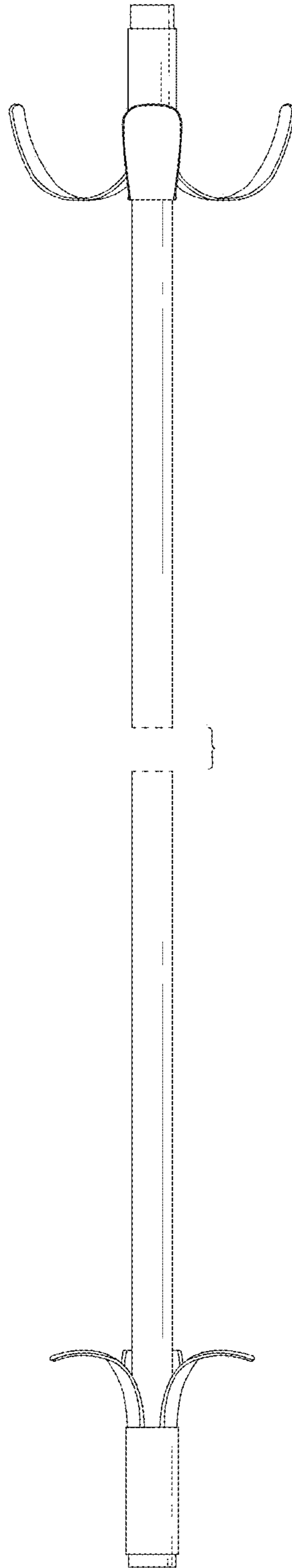
*FIG. 42*



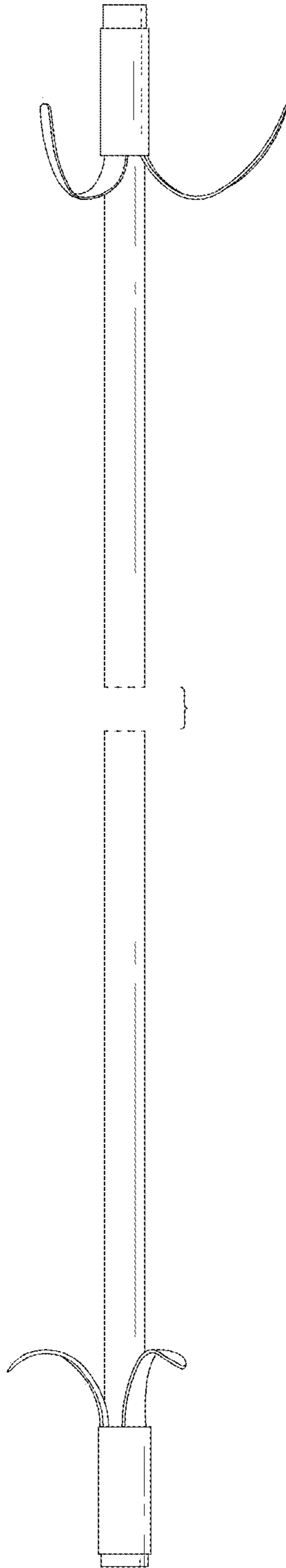
*FIG. 43*



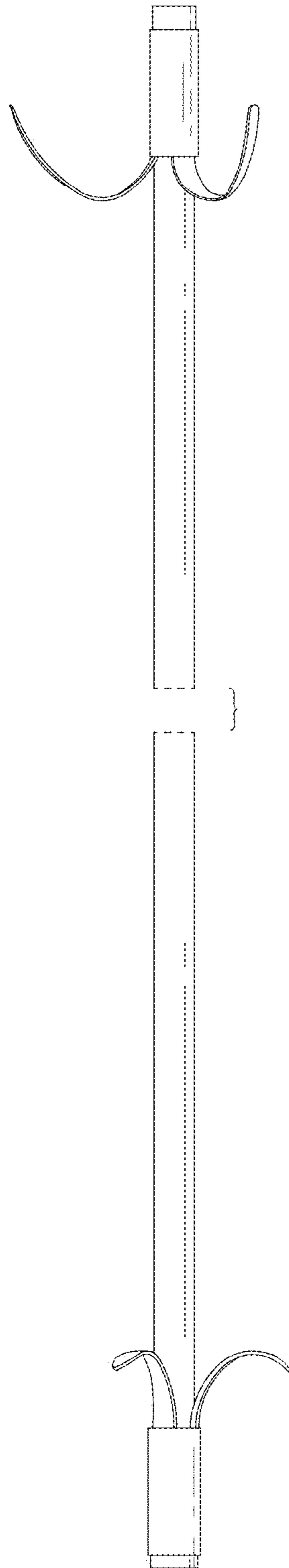
*FIG. 44*



*FIG. 45*

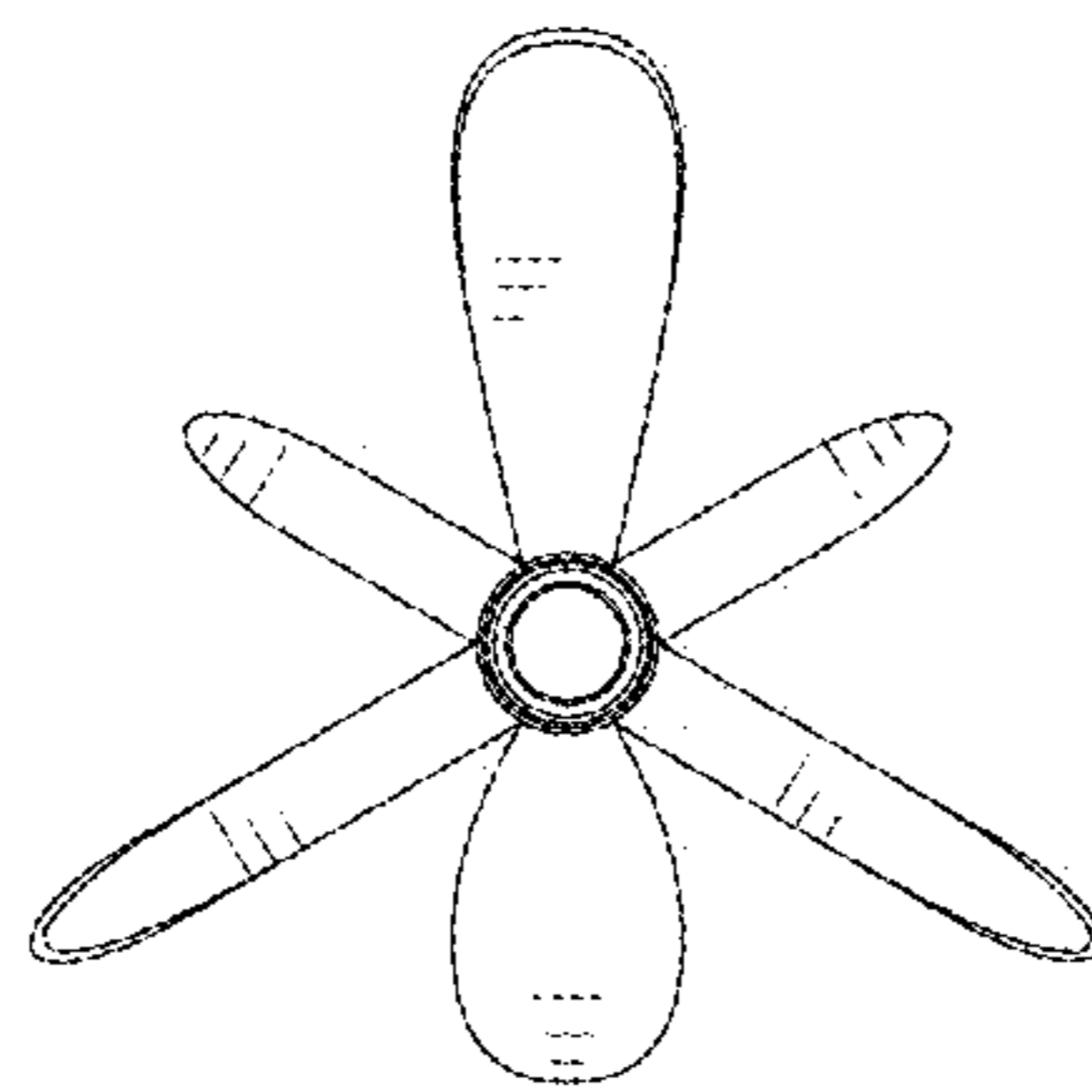


*FIG. 46*

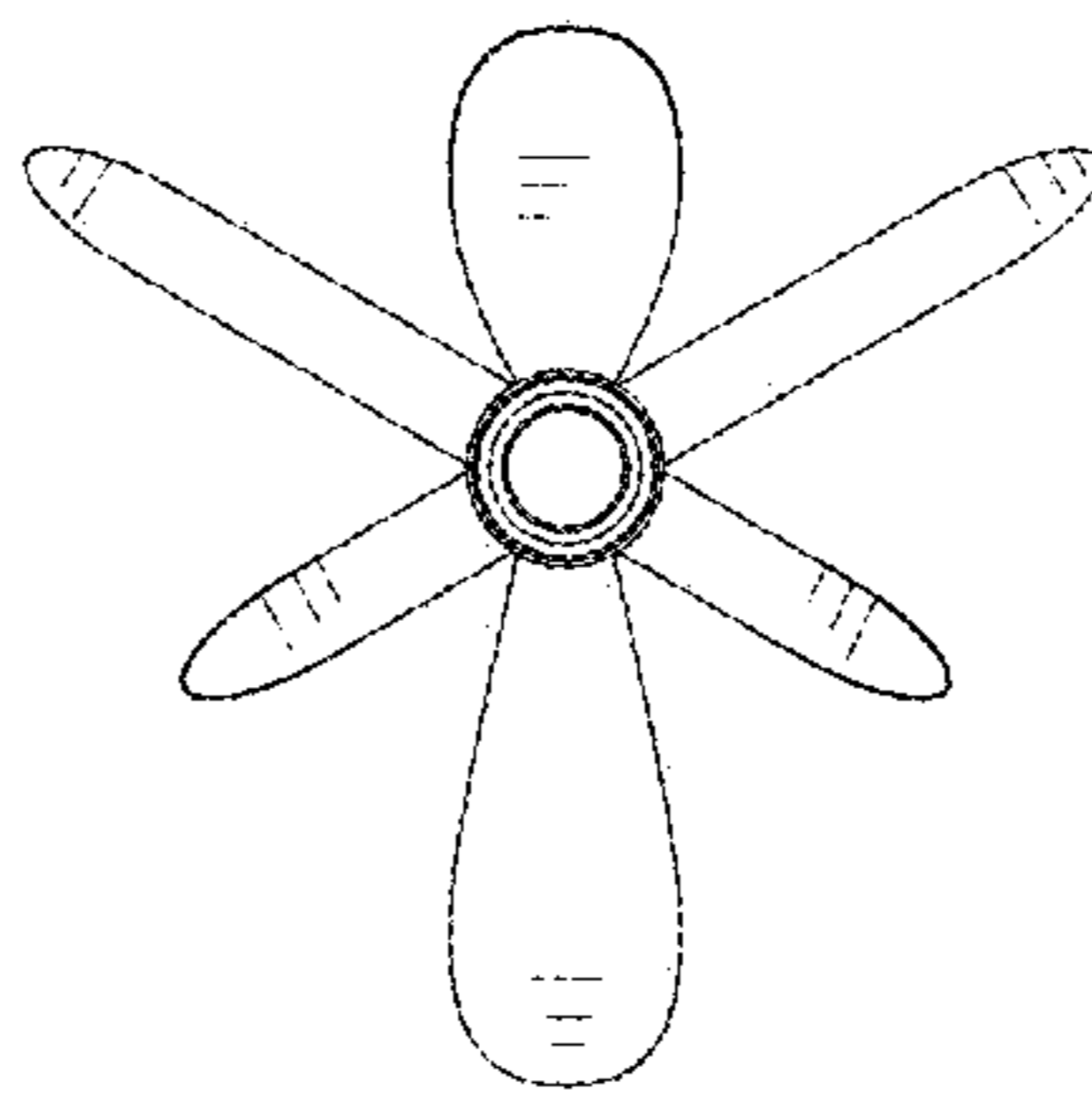




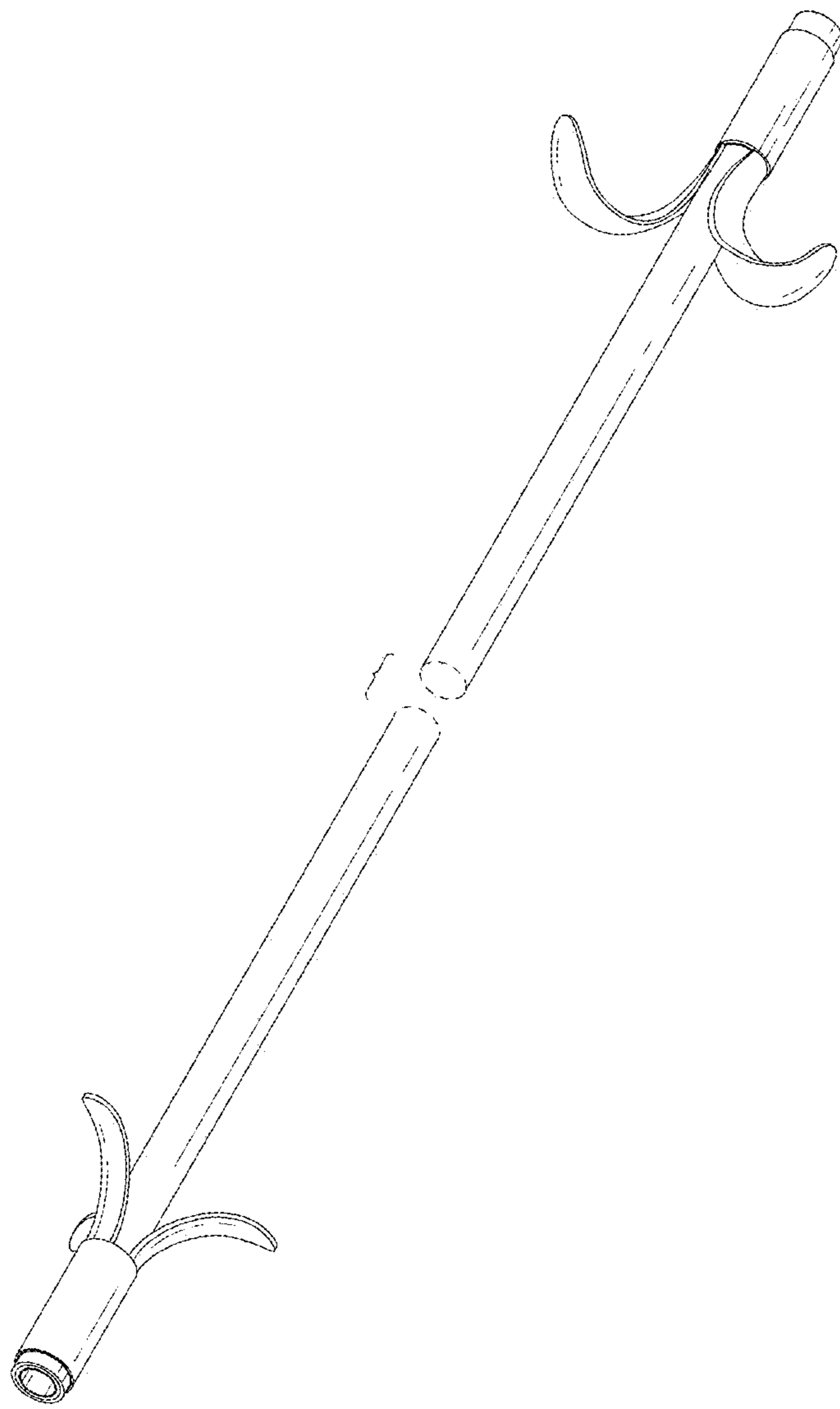
*FIG. 47*



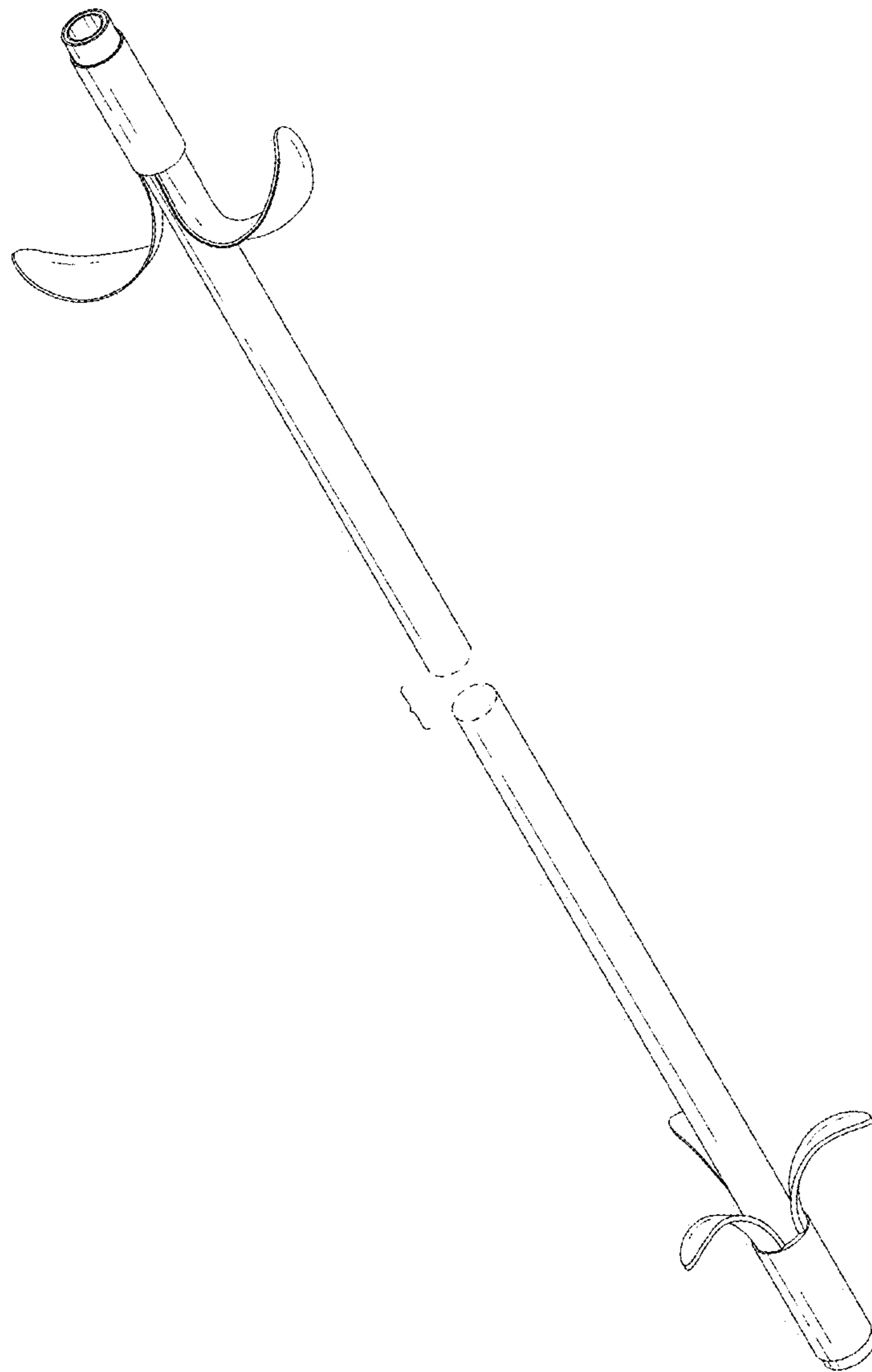
*FIG. 48*



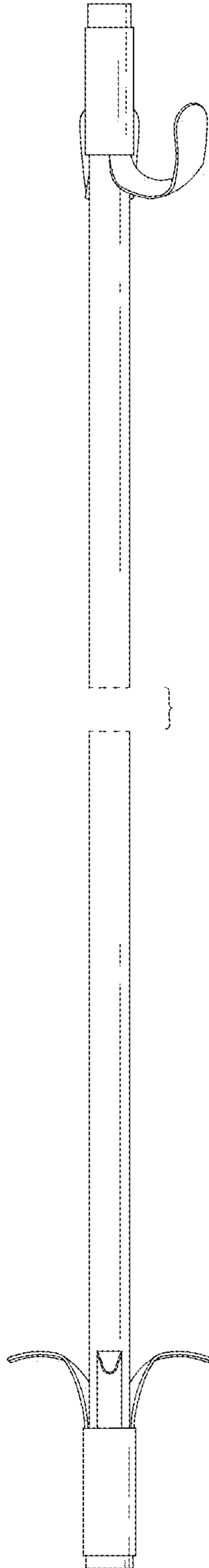
*FIG. 49*



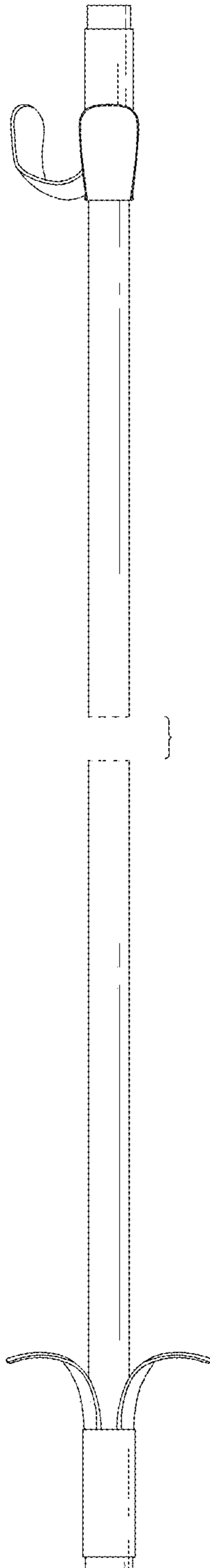
*FIG. 50*



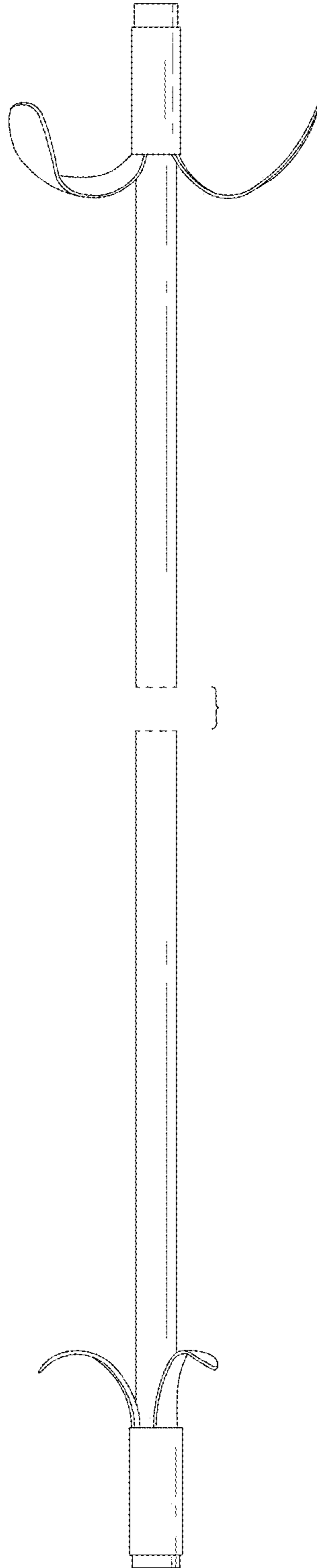
*FIG. 51*



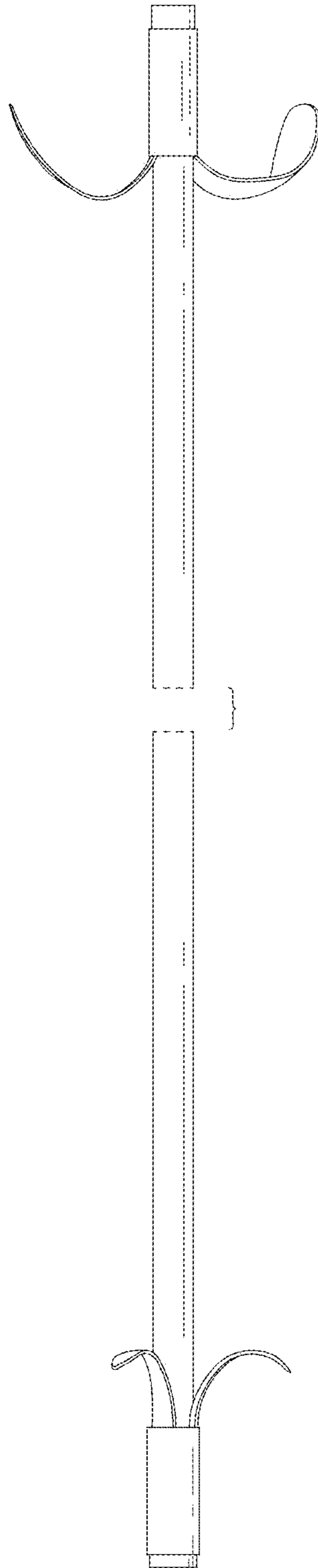
*FIG. 52*



*FIG. 53*

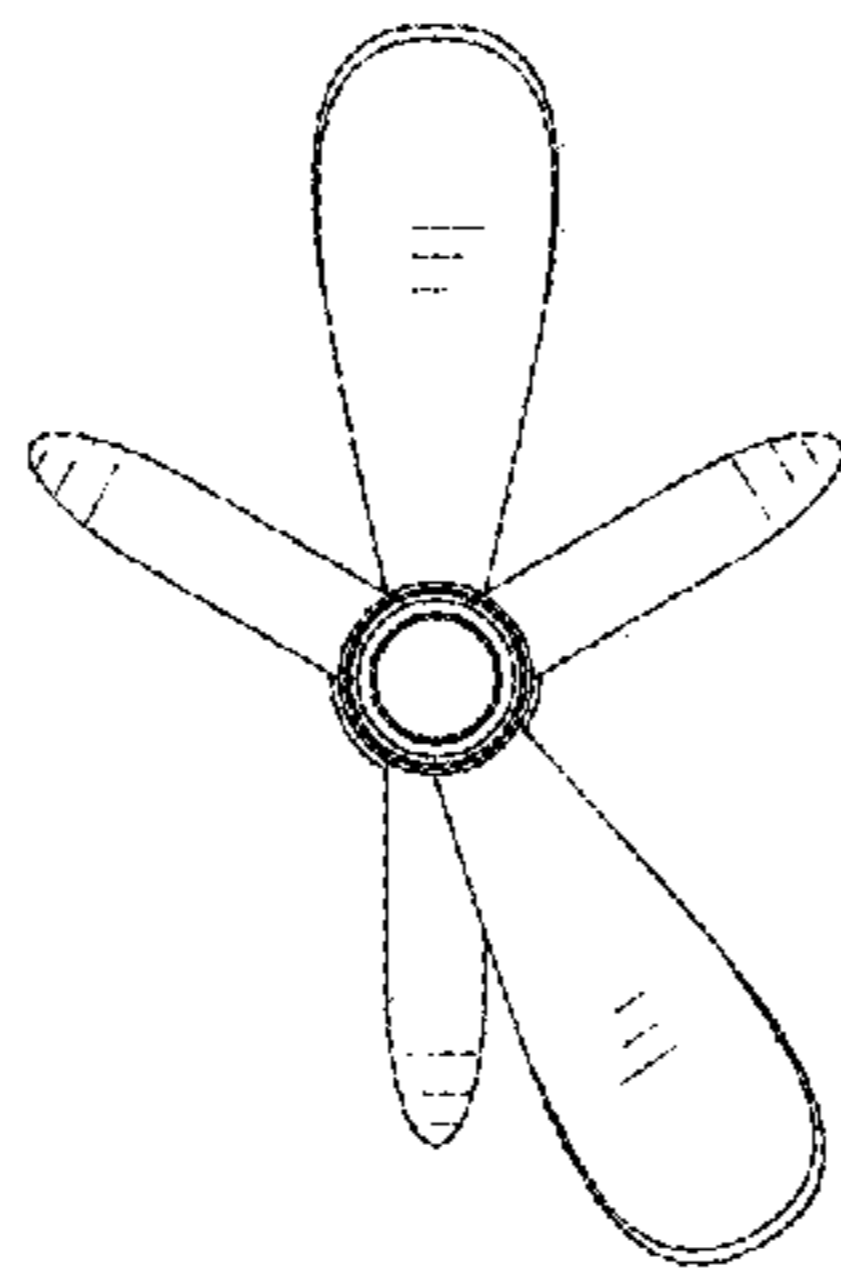


*FIG. 54*

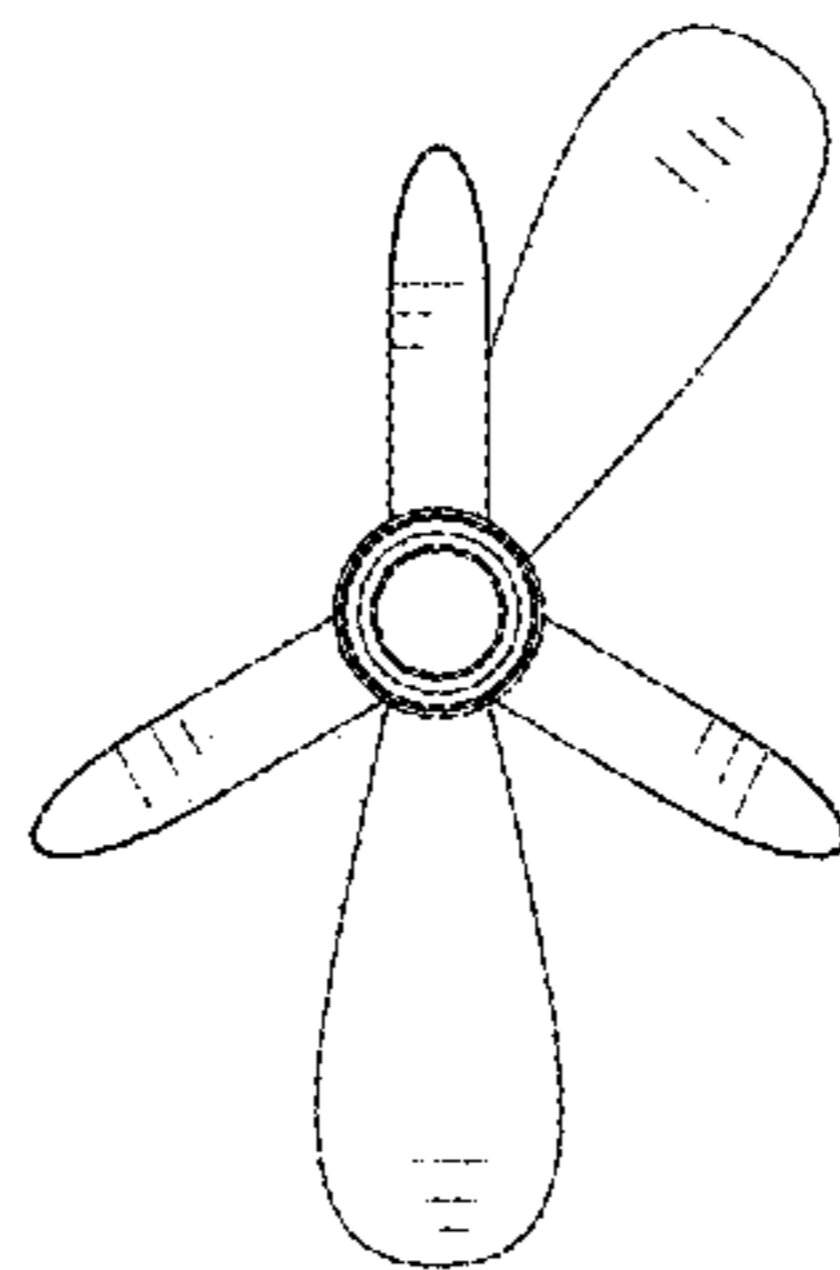




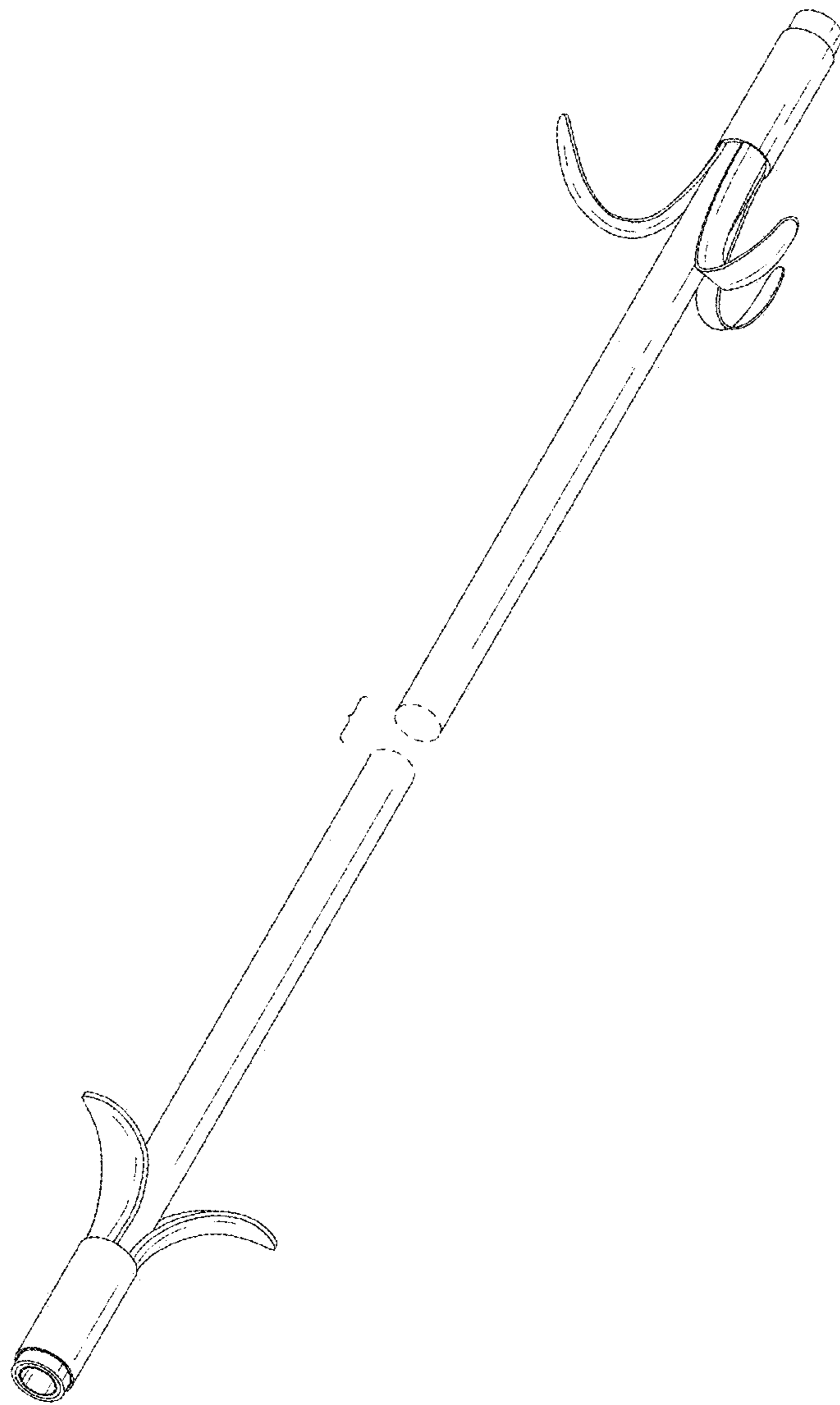
*FIG. 55*



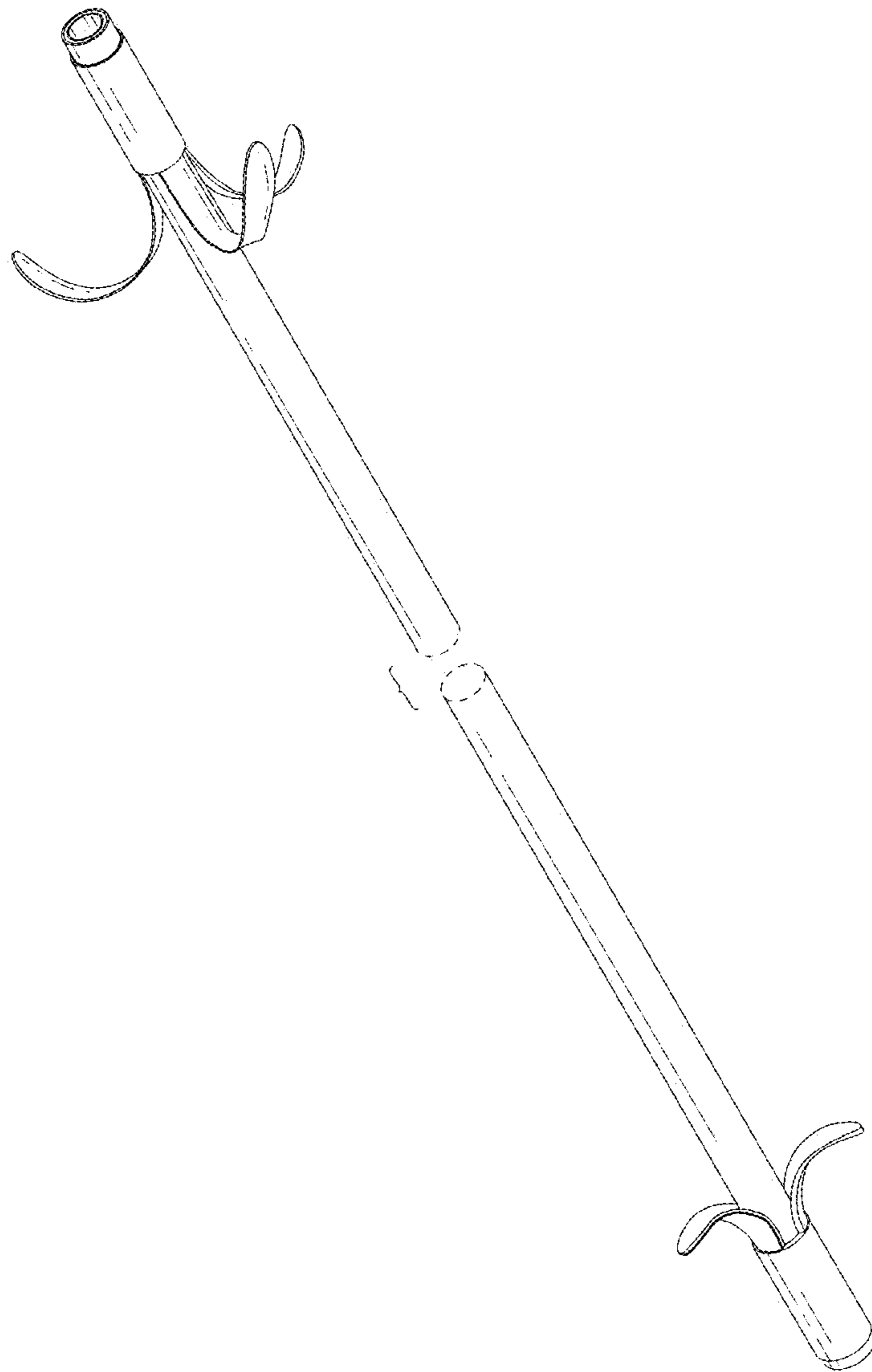
*FIG. 56*



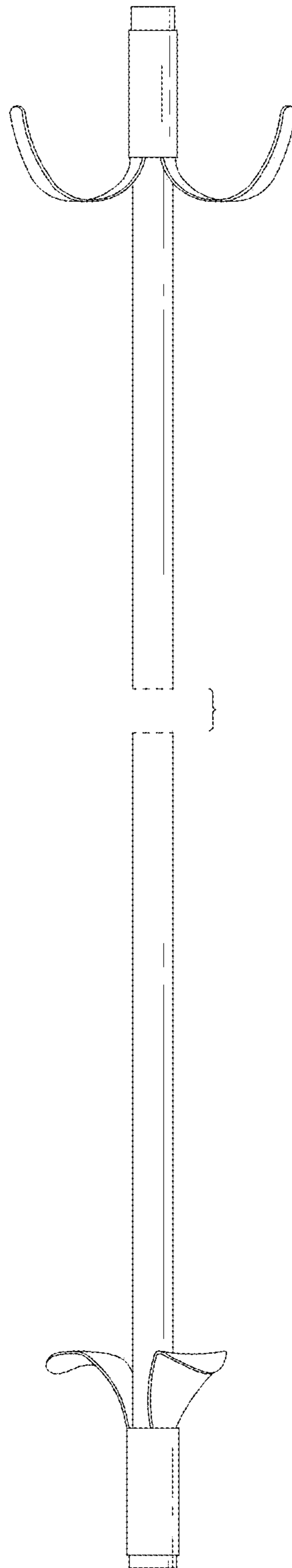
*FIG. 57*



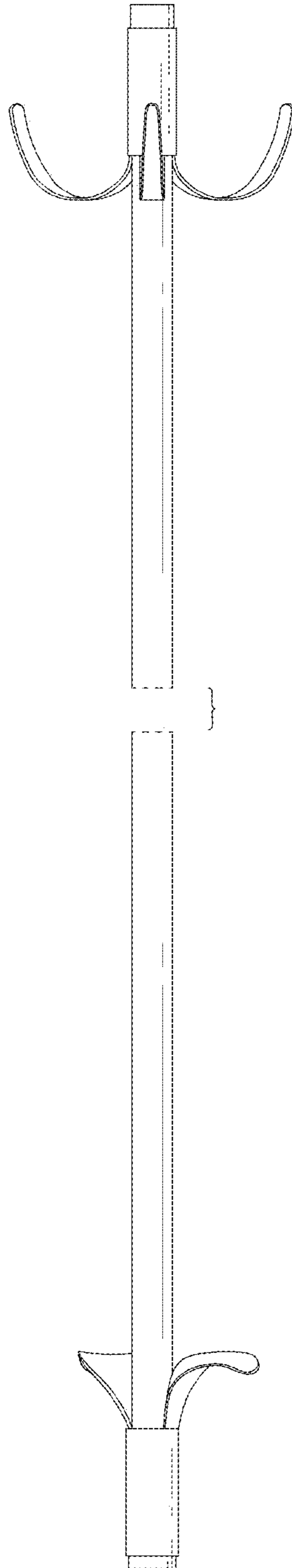
*FIG. 58*



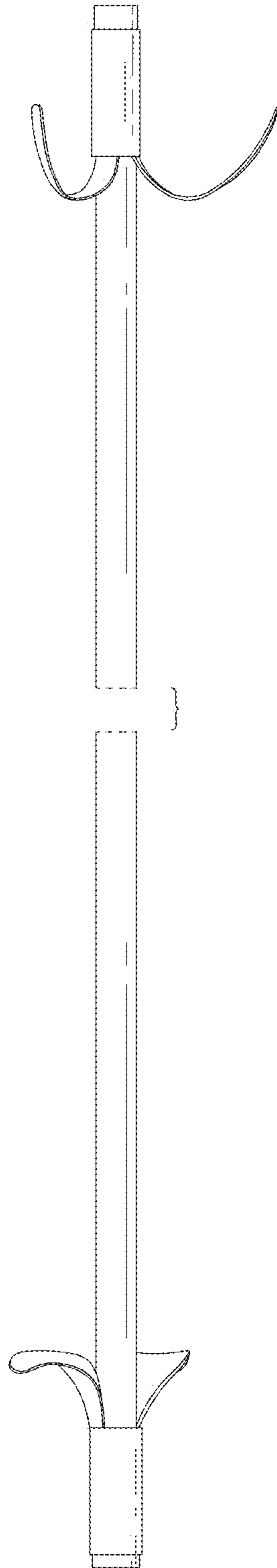
*FIG. 59*



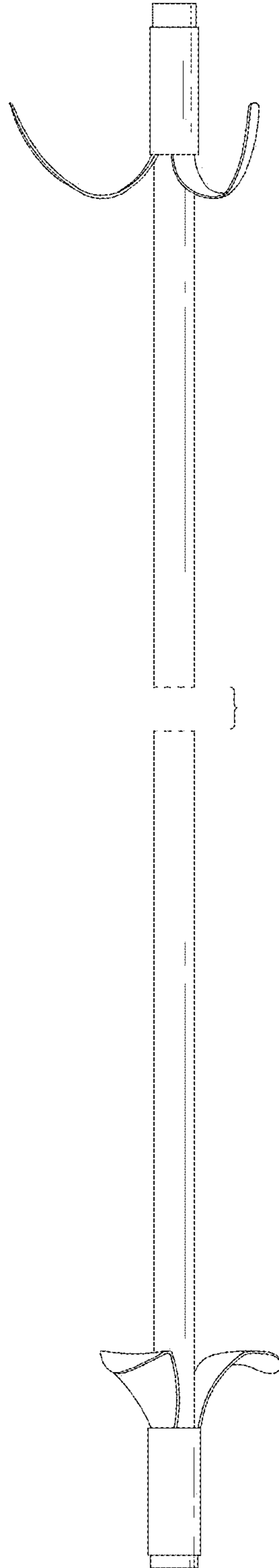
*FIG. 60*



*FIG. 61*

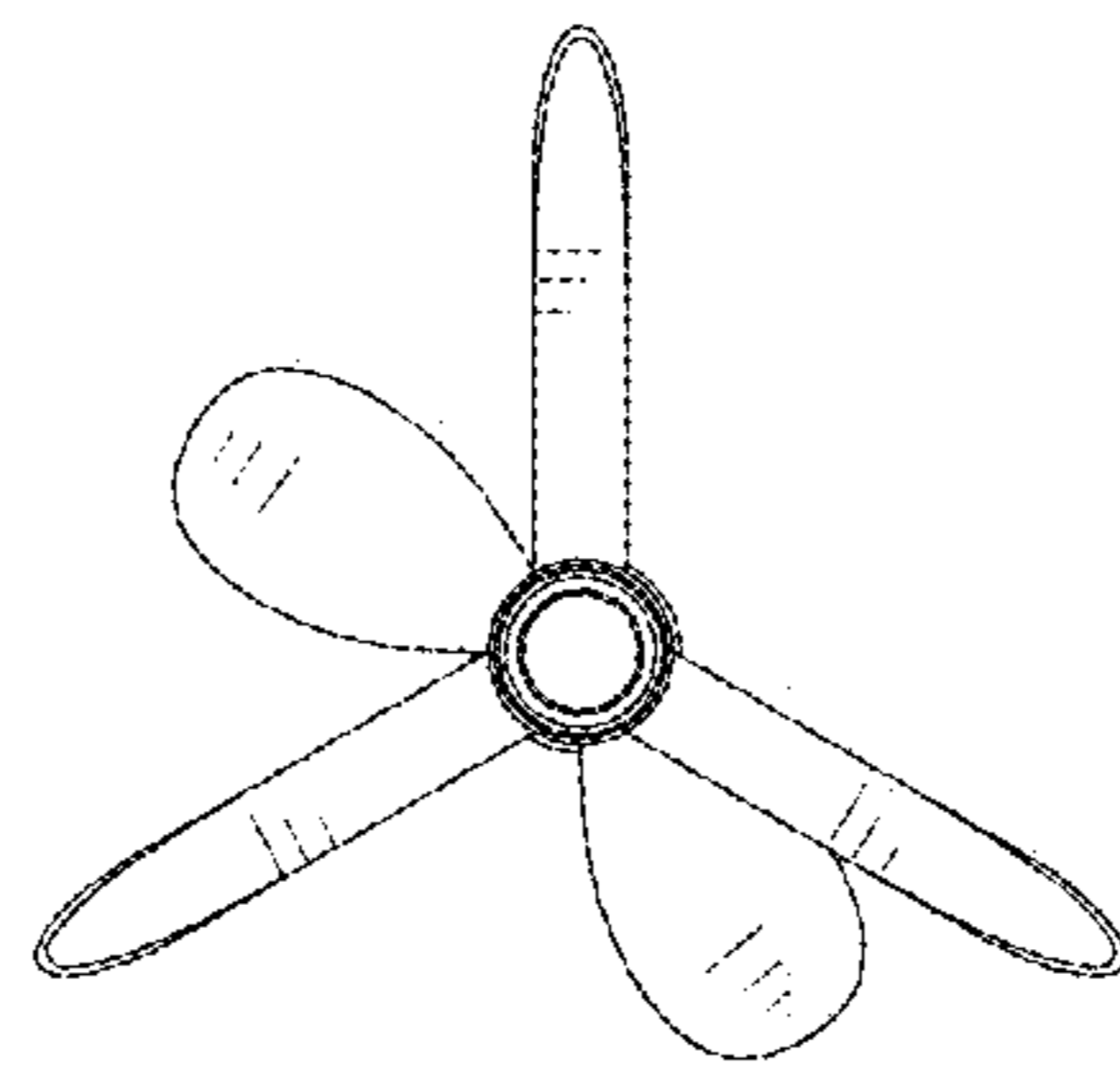


*FIG. 62*

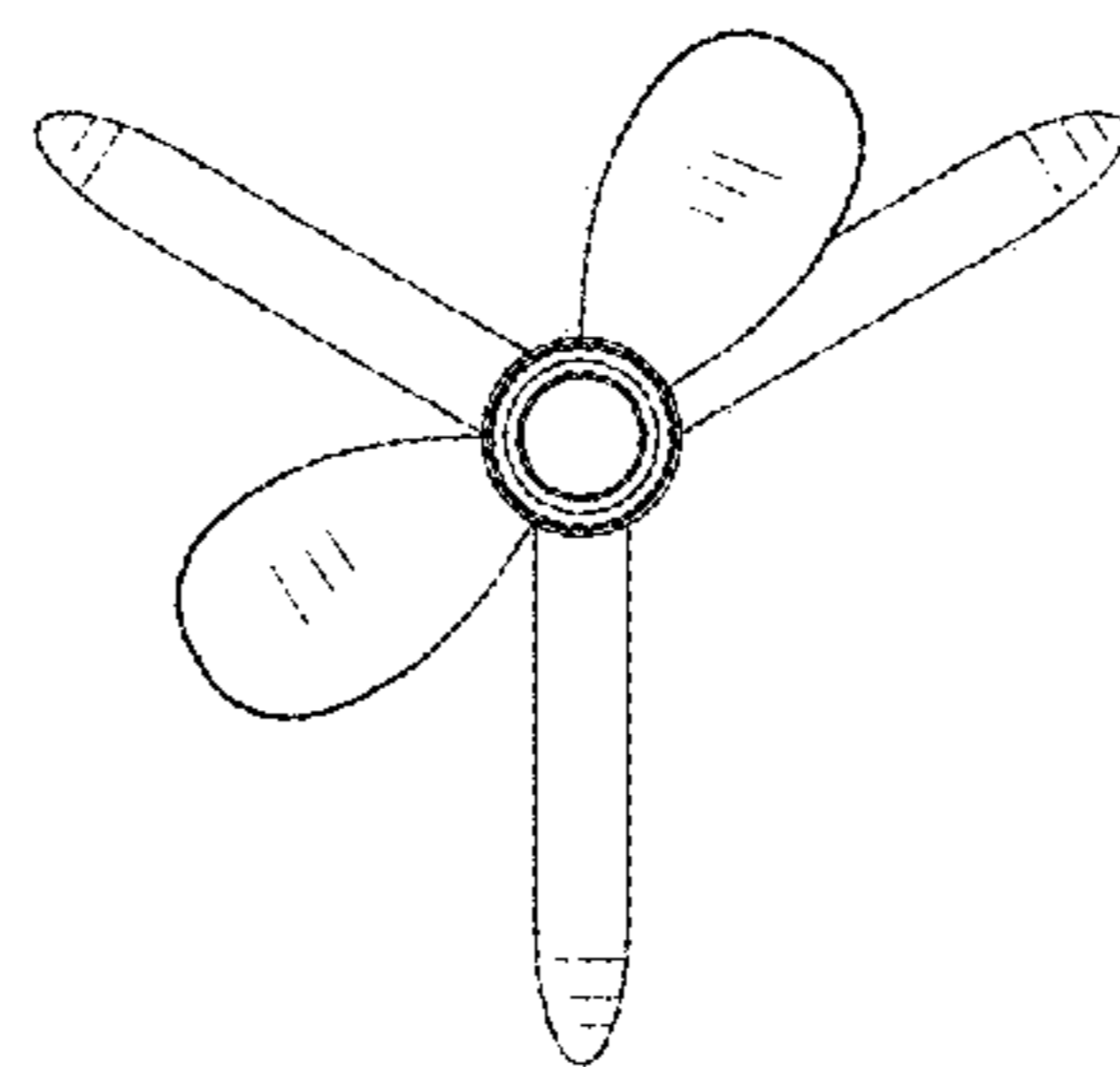




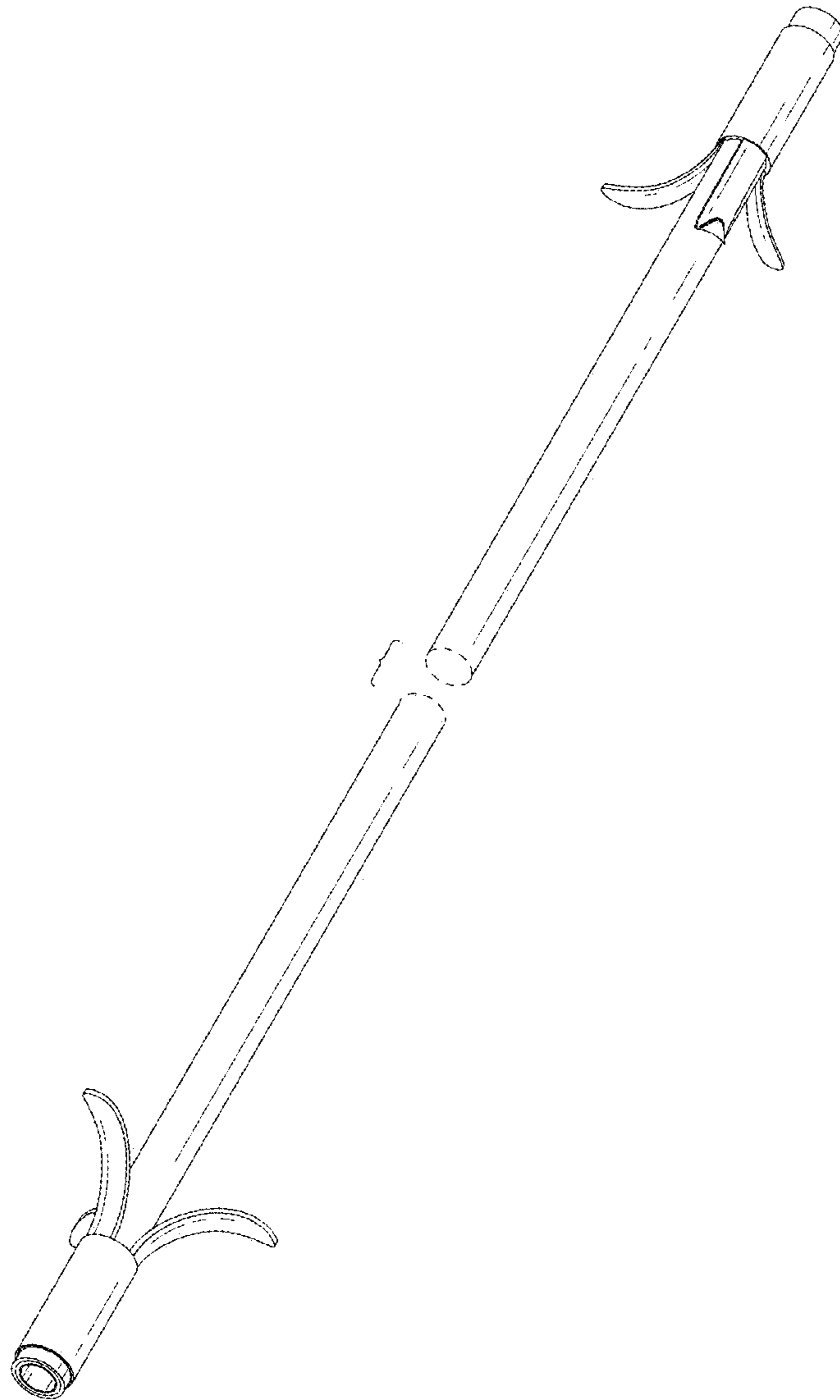
*FIG. 63*



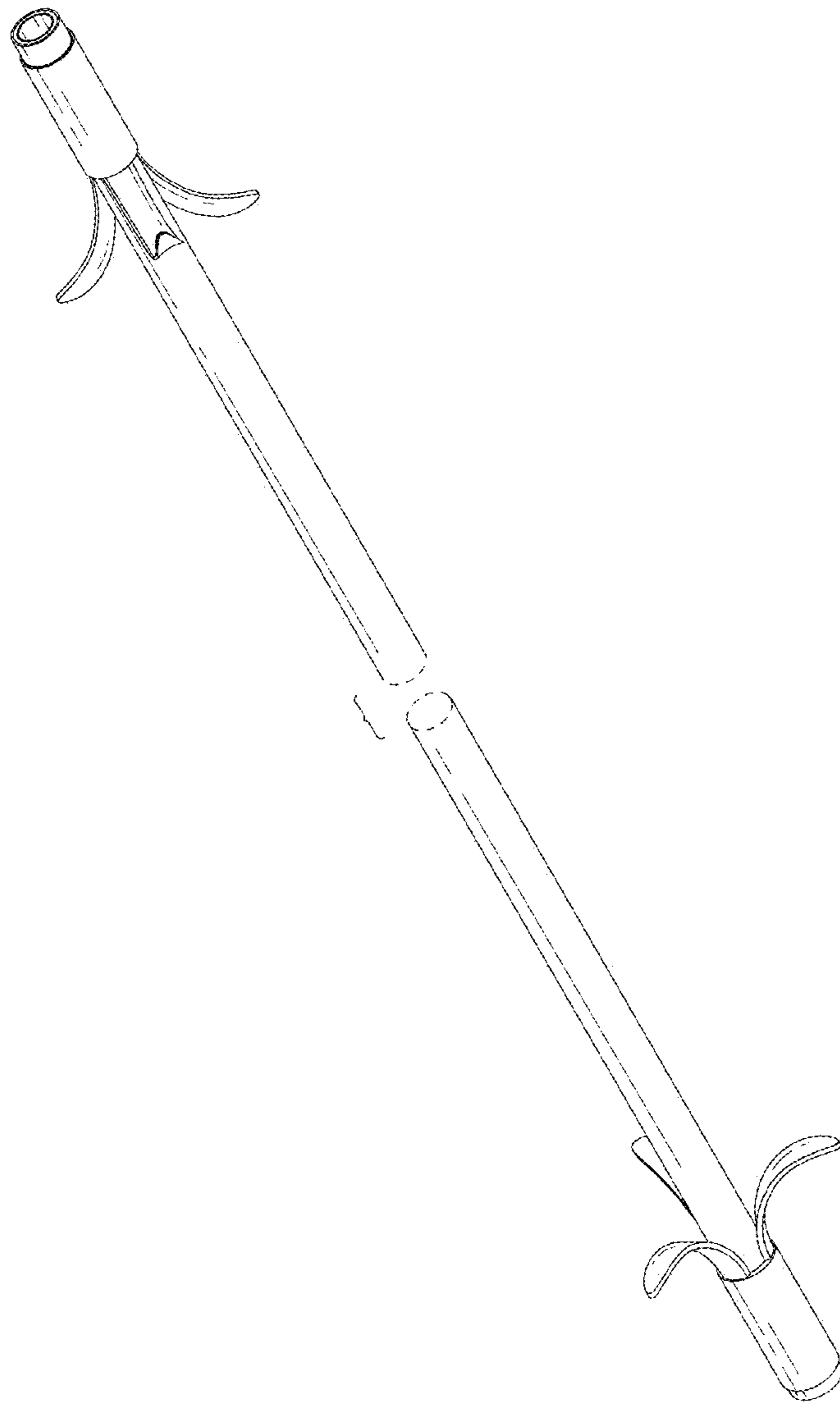
*FIG. 64*



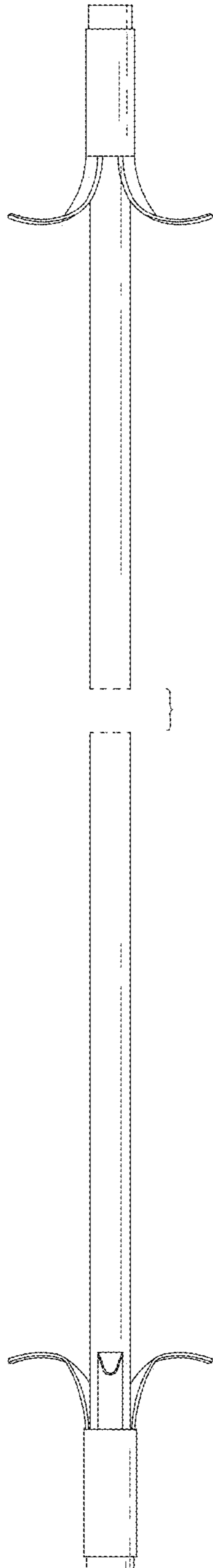
*FIG. 65*



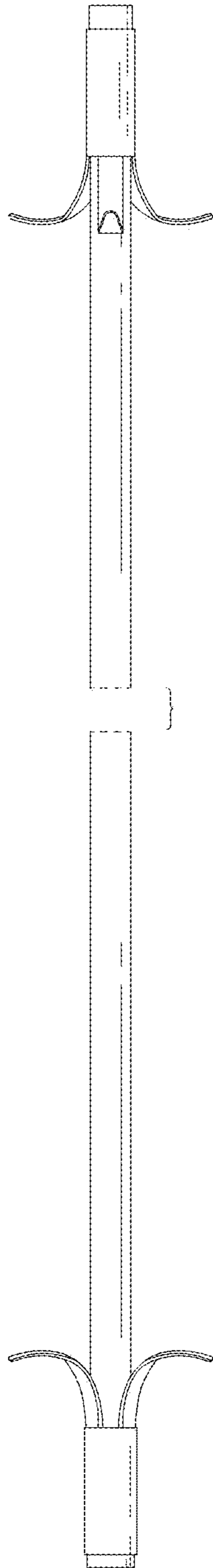
*FIG. 66*



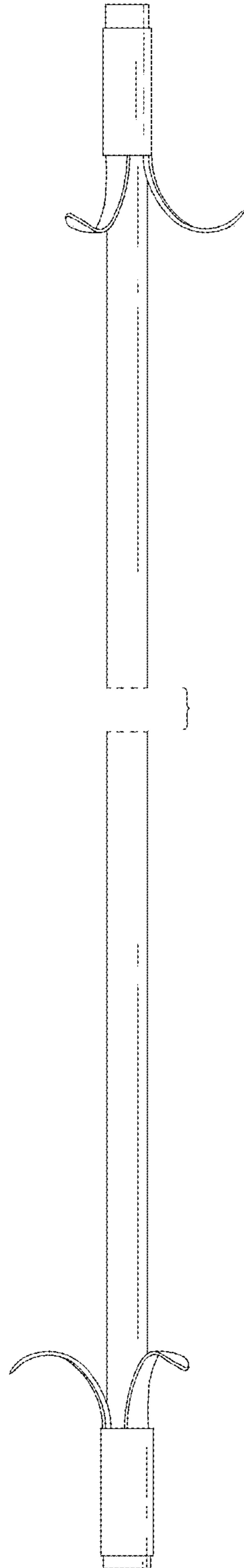
*FIG. 67*



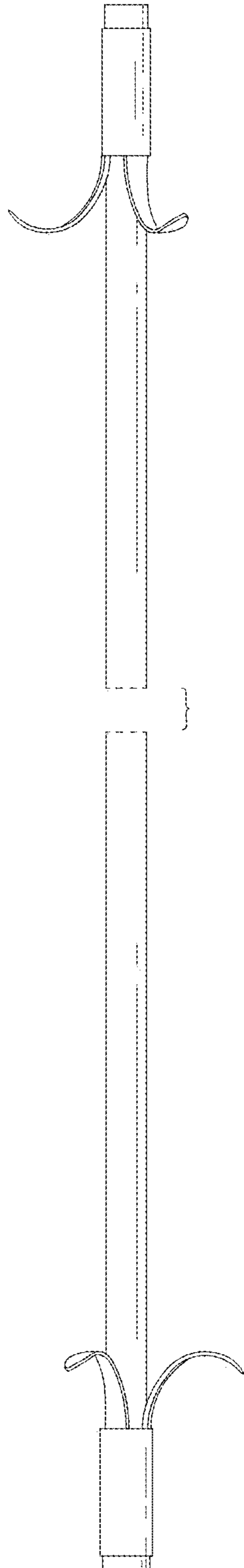
*FIG. 68*



*FIG. 69*

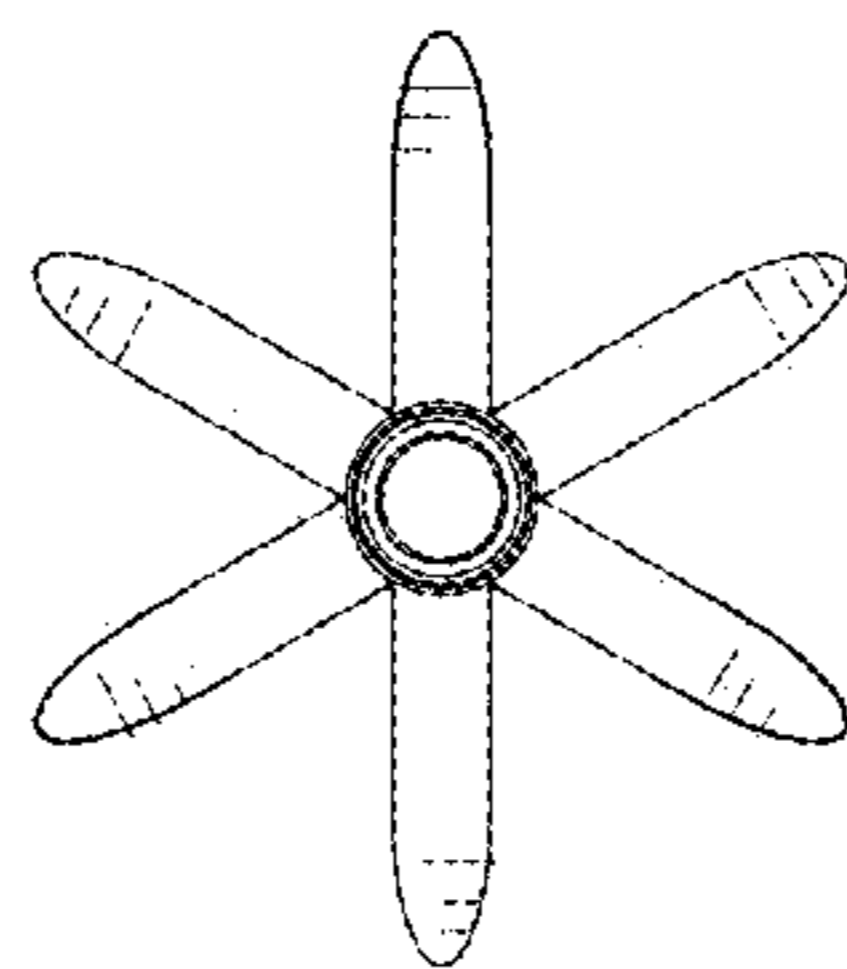


*FIG. 70*

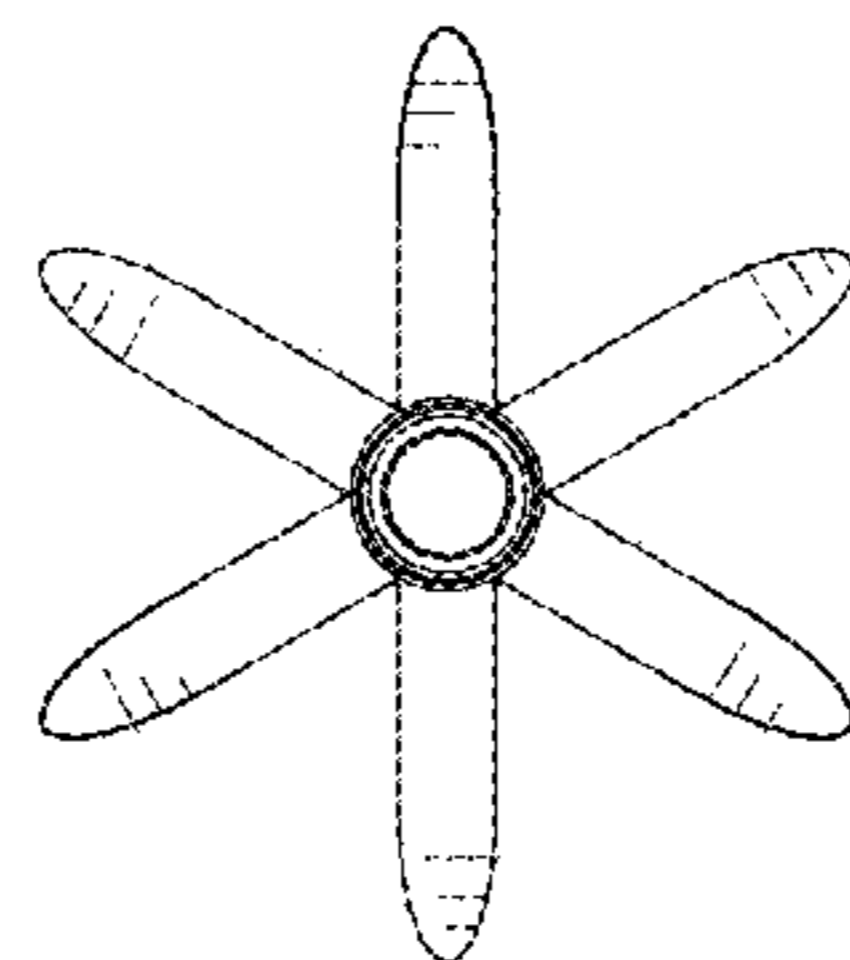




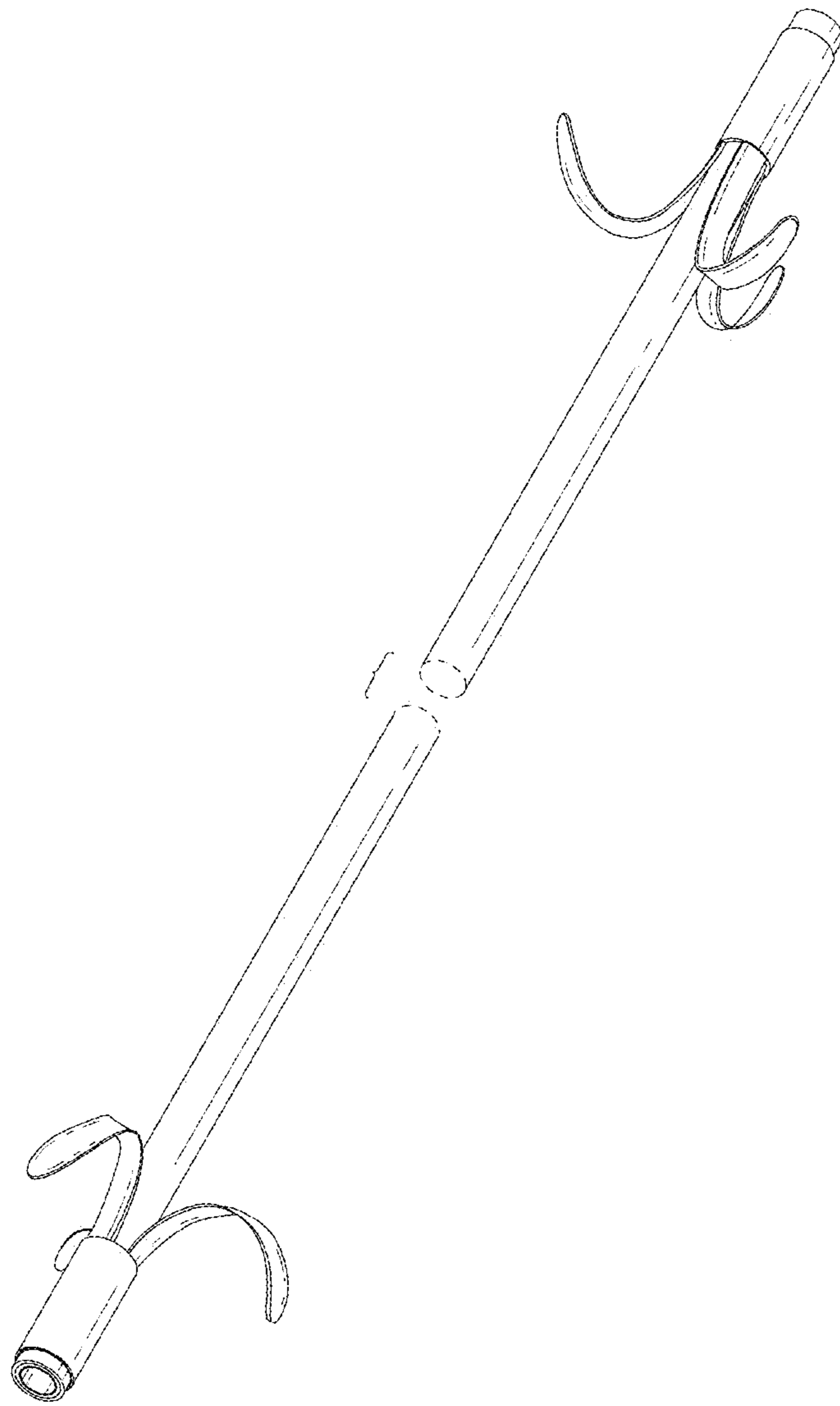
*FIG. 71*



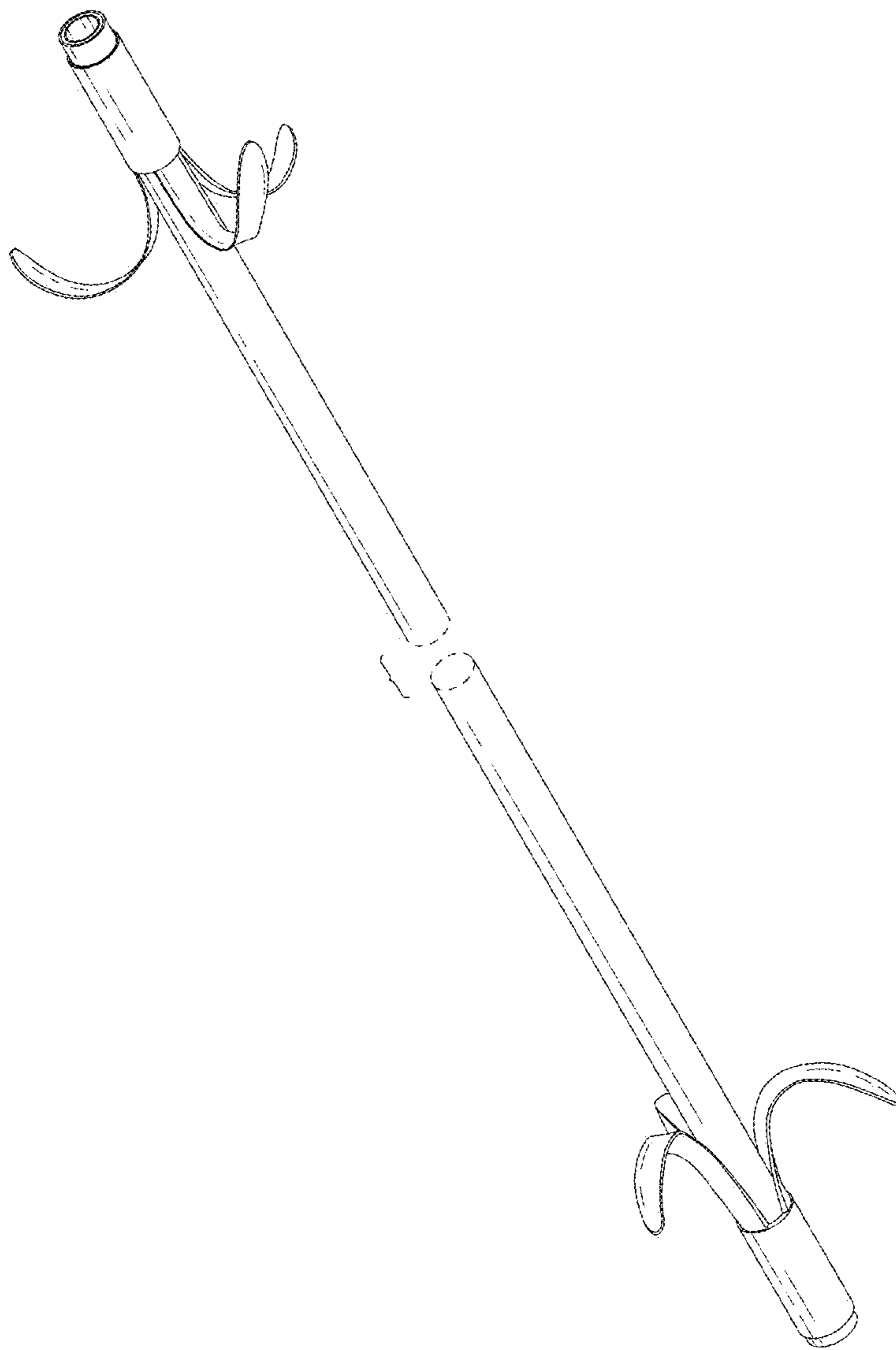
*FIG. 72*



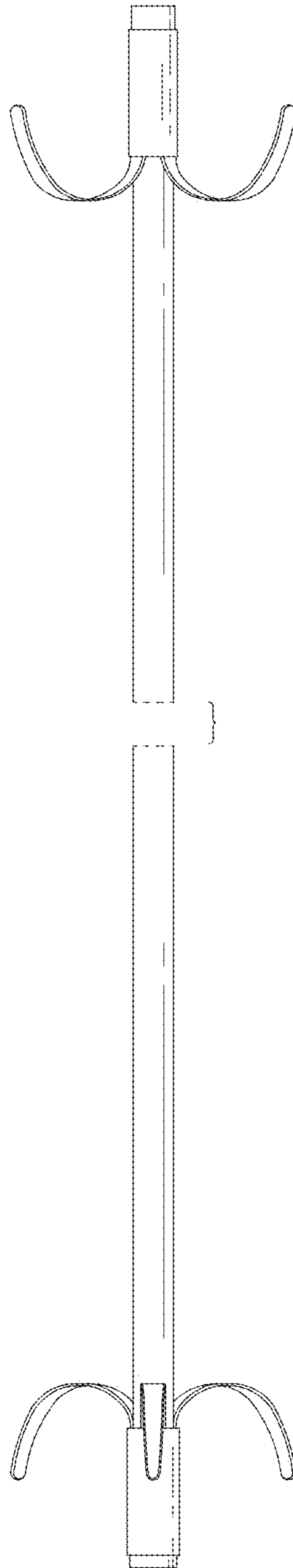
*FIG. 73*



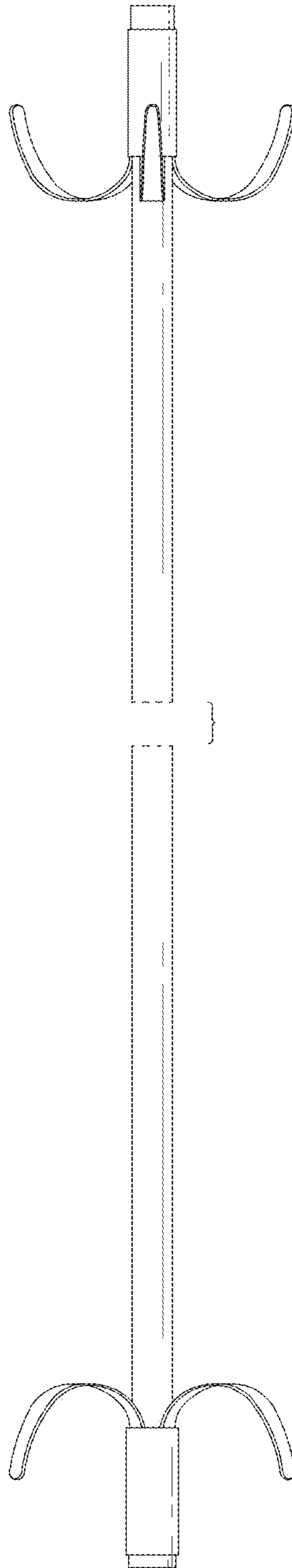
*FIG. 74*



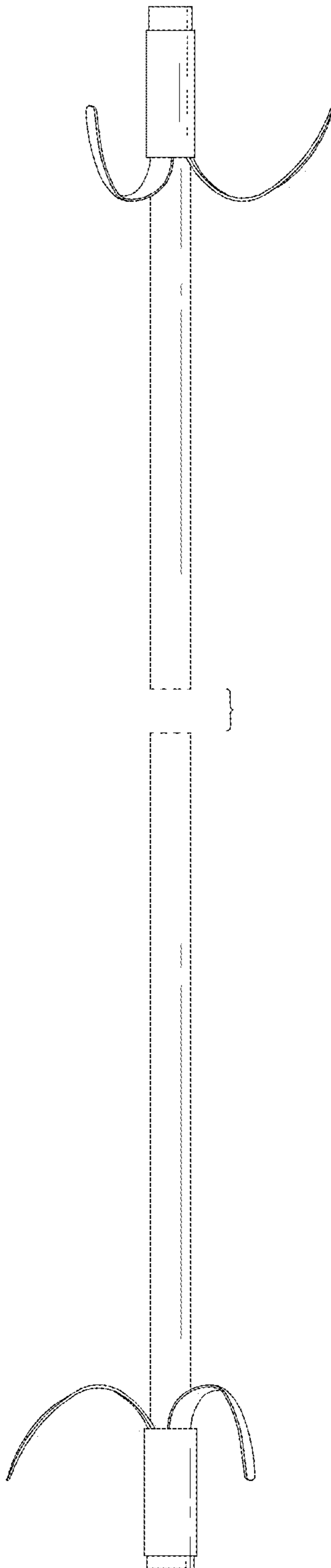
*FIG. 75*



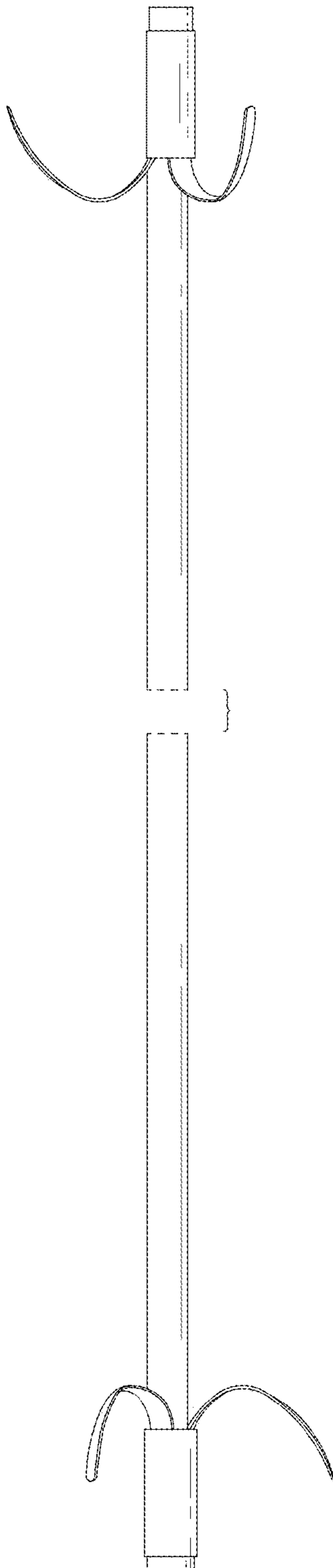
*FIG. 76*



*FIG. 77*

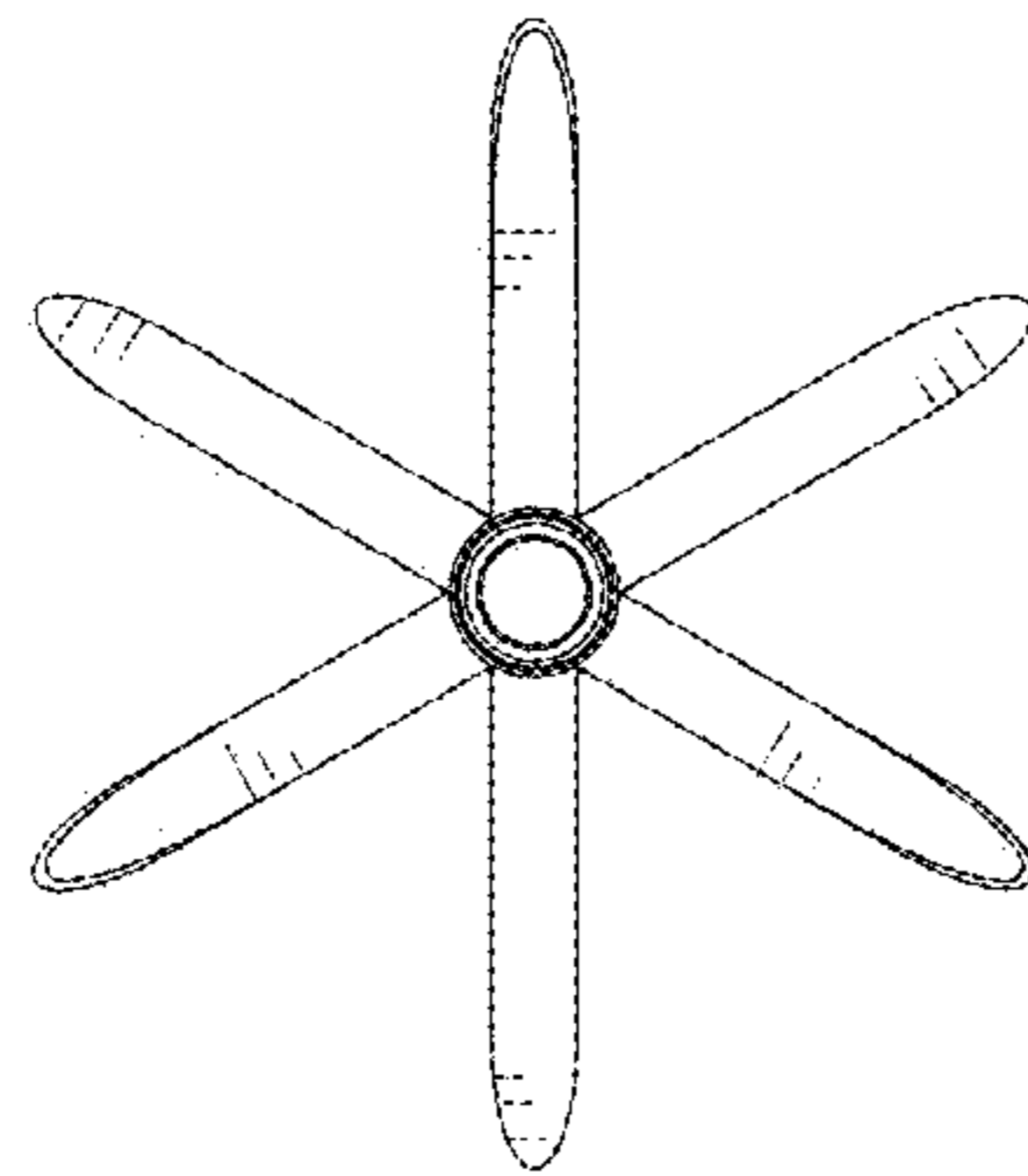


*FIG. 78*





*FIG. 79*



*FIG. 80*

