



US00D952851S

(12) **United States Design Patent**
Chang et al.

(10) **Patent No.:** **US D952,851 S**

(45) **Date of Patent:** **** May 24, 2022**

- (54) **INTRAORAL CAMERA**
- (71) Applicant: **Quanta Computer Inc.**, Taoyuan (TW)
- (72) Inventors: **Chia-Yuan Chang**, Taoyuan (TW);
Jung-Wen Chang, Taoyuan (TW);
Juan-Jung Li, Taoyuan (TW)
- (73) Assignee: **QUANTA COMPUTER INC.**,
Taoyuan (TW)
- (**) Term: **15 Years**
- (21) Appl. No.: **29/696,750**
- (22) Filed: **Jul. 1, 2019**
- (30) **Foreign Application Priority Data**

Apr. 9, 2019 (TW) 108301976

(51) **LOC (13) Cl.** **24-02**

(52) **U.S. Cl.**
USPC **D24/152; D24/137; D16/208**

(58) **Field of Classification Search**
USPC D24/112–114, 108, 130, 127, 187, 133,
D24/134, 135, 136, 137, 138, 140, 144,
D24/145, 146, 147, 170, 209, 214, 158;
D16/206, 208, 218

CPC A61B 1/00009; A61B 1/00011; A61B
1/00016; A61B 1/0005; A61B 1/00096;
A61B 1/0623; A61B 1/0638; A61B
1/0684; A61B 1/247; A61B 5/0088;
G03B 15/14; A61C 19/004

See application file for complete search history.

(56) **References Cited**

U.S. PATENT DOCUMENTS

- D398,995 S * 9/1998 Muller D24/133
- D405,883 S * 2/1999 Emerson D24/133
- D510,662 S * 10/2005 Kling D4/101

- D518,601 S * 4/2006 Kling D28/65
- D558,345 S * 12/2007 Witt D24/152
- D597,207 S * 7/2009 Kobayashi D24/152
- D599,018 S * 8/2009 Plank D24/152
- D607,646 S * 1/2010 Ino D4/101
- D613,865 S * 4/2010 De Charentenay D24/152
- D616,992 S * 6/2010 Kitayama D24/186
- D619,717 S * 7/2010 Toshima D24/152
- D622,852 S * 8/2010 Berberich D28/50
- D627,471 S * 11/2010 Mueller D24/176
- D630,747 S * 1/2011 Shinohara D24/152
- D644,439 S * 9/2011 Shigeno D4/101
- D648,026 S * 11/2011 Okawa D24/152
- D653,340 S * 1/2012 Goerge D24/152
- D653,761 S * 2/2012 Lytle D24/209
- D658,760 S * 5/2012 Cox D24/144
- D672,047 S * 12/2012 Hsu D24/200
- D674,091 S * 1/2013 Carlson D24/152
- D688,464 S * 8/2013 Hara D4/138
- D701,606 S * 3/2014 Ohmukai D24/187

(Continued)

Primary Examiner — T Chase Nelson

Assistant Examiner — Kelly L Gross

(74) *Attorney, Agent, or Firm* — McClure, Qualey &
Rodack, LLP

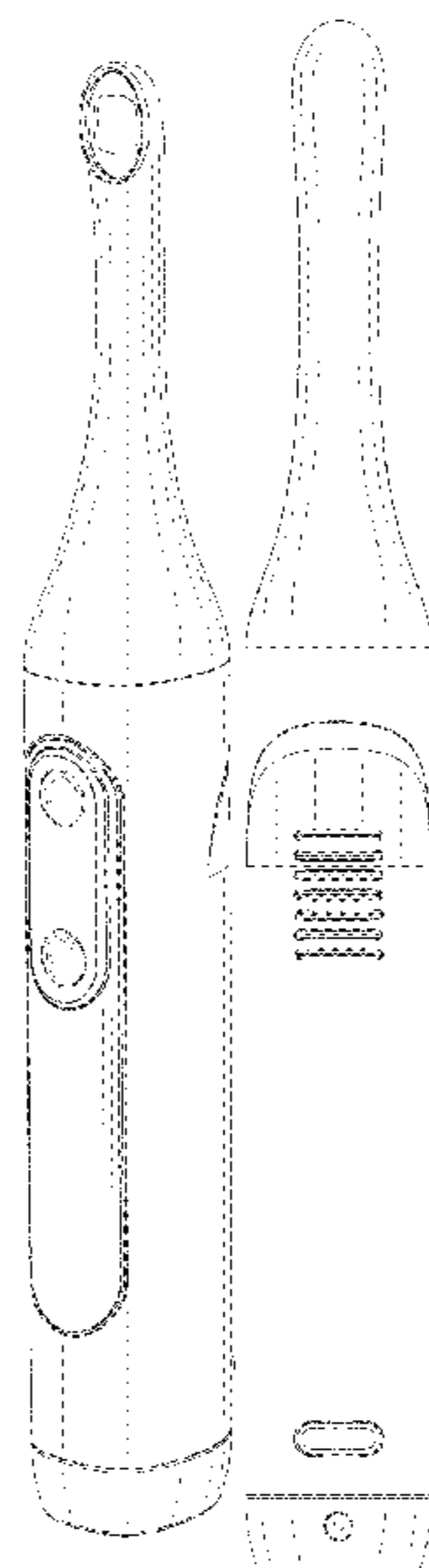
(57) **CLAIM**

The ornamental design for an intraoral camera, as shown and described.

DESCRIPTION

FIG. 1 is a front and right perspective view of an intraoral camera, showing our new design;
 FIG. 2 is a front view thereof;
 FIG. 3 is a rear view thereof;
 FIG. 4 is a left side view thereof;
 FIG. 5 is a right side view thereof;
 FIG. 6 is a top plan view thereof;
 FIG. 7 is a bottom plan view thereof; and,
 FIG. 8 is a rear, right and bottom perspective view thereof.

1 Claim, 8 Drawing Sheets



(56)

References Cited

U.S. PATENT DOCUMENTS

D703,331 S * 4/2014 Kitayama D24/187
 D711,951 S * 8/2014 Mazuir D16/218
 D722,164 S * 2/2015 Graham, II D24/152
 D741,935 S * 10/2015 Sundheim D16/208
 D742,518 S * 11/2015 Barak D24/176
 D759,382 S * 6/2016 Watkins D4/101
 D760,901 S * 7/2016 Barak D24/158
 D766,580 S * 9/2016 Kollar D4/101
 D767,896 S * 10/2016 Shigeno D4/101
 D770,184 S * 11/2016 Gabriele D4/104
 D780,182 S * 2/2017 Klein D24/152
 D785,176 S * 4/2017 Tseng D16/208
 D797,933 S * 9/2017 Fleenor D24/144
 D800,897 S * 10/2017 Aneas D24/113
 D801,696 S * 11/2017 McGarry et al. D4/101
 D809,123 S * 1/2018 Ishikawa D24/108
 D823,468 S * 7/2018 Frenkler D24/152
 D827,842 S * 9/2018 Bainton D24/200
 D837,993 S * 1/2019 Bailey D24/214

D844,137 S * 3/2019 Sun D24/138
 D857,196 S * 8/2019 Powell D24/133
 D857,994 S * 8/2019 Abou-Elsoud D28/58
 D878,588 S * 3/2020 Chang D24/152
 D884,175 S * 5/2020 Aubailly D24/152
 D890,340 S * 7/2020 Wohnhaas D24/158
 D890,341 S * 7/2020 Wohnhaas D24/158
 D891,784 S * 8/2020 Okai D4/101
 D892,341 S * 8/2020 Cheng D24/187
 D892,506 S * 8/2020 Okai D4/101
 D903,896 S * 12/2020 Tianhao D24/223
 D904,614 S * 12/2020 Inoue A61C 19/003
 D24/146
 D907,231 S * 1/2021 Zhou D24/215
 D908,160 S * 1/2021 Sun D16/208
 D911,713 S * 3/2021 Okai D4/101
 D911,714 S * 3/2021 Okai D4/101
 D916,288 S * 4/2021 Hansen D24/152
 D918,209 S * 5/2021 Kenworthy D14/453
 D941,513 S * 1/2022 He D26/37
 D943,790 S * 2/2022 Sheetz A61C 19/003
 D26/37

* cited by examiner

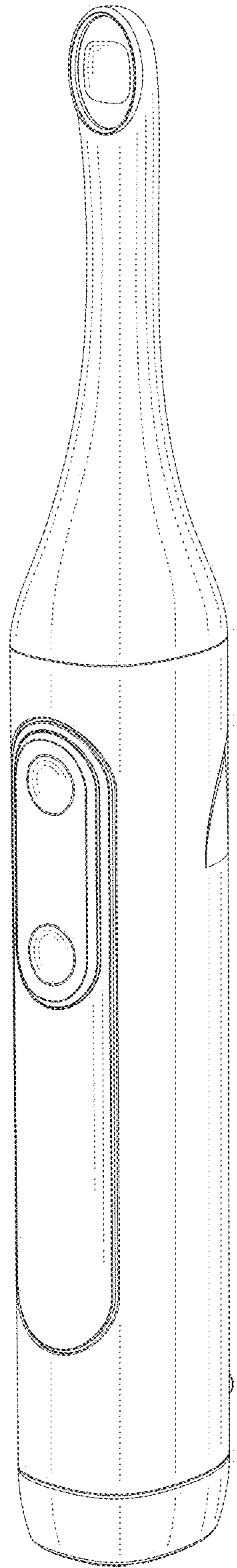


FIG. 1

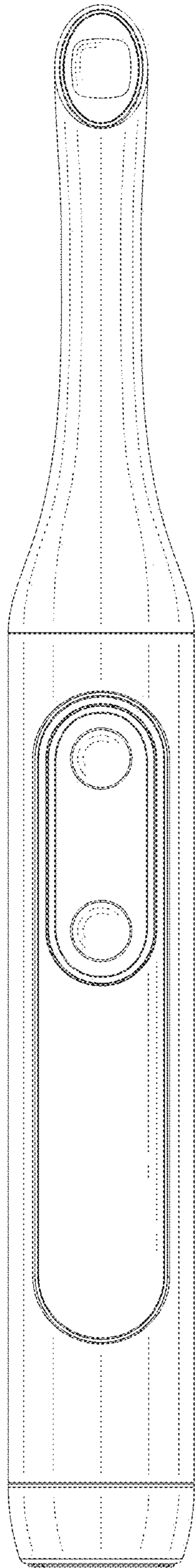


FIG. 2

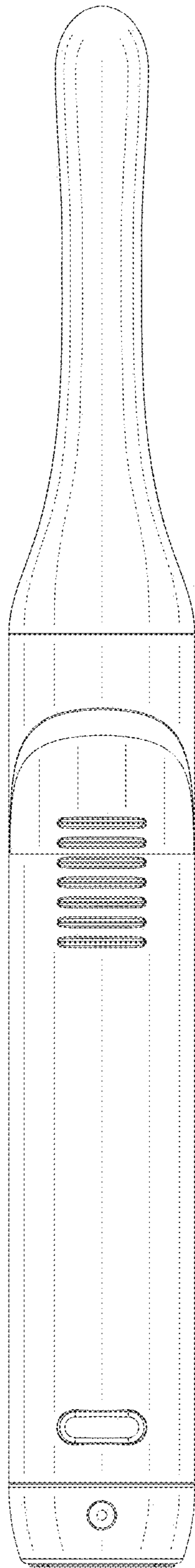


FIG. 3

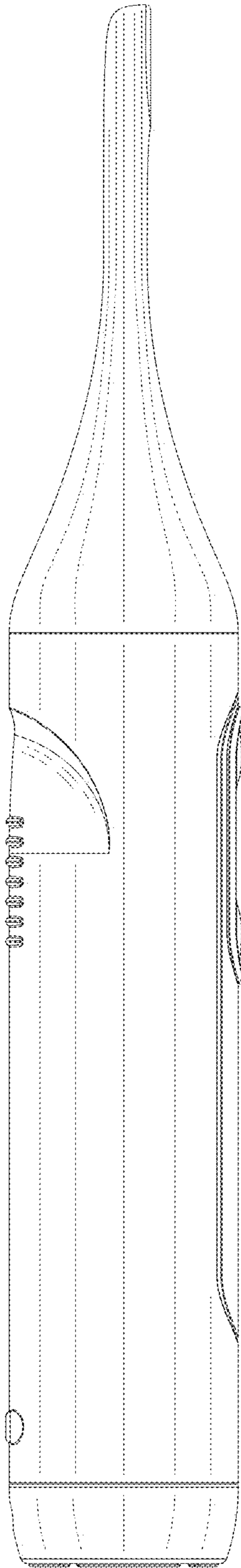


FIG. 4

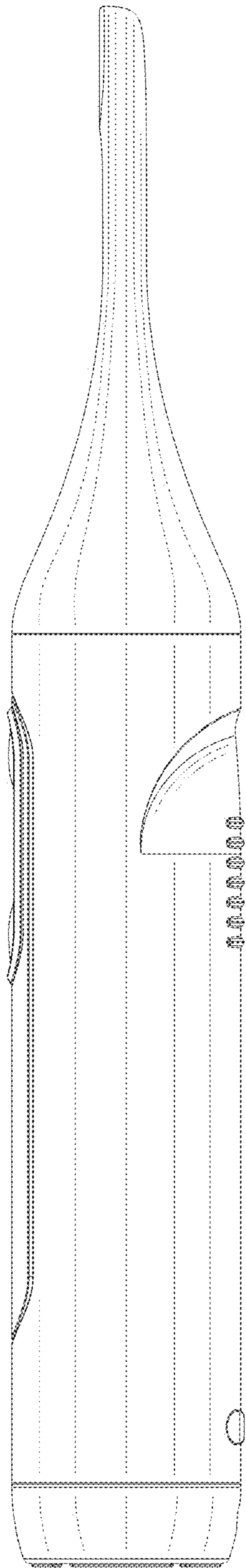


FIG. 5

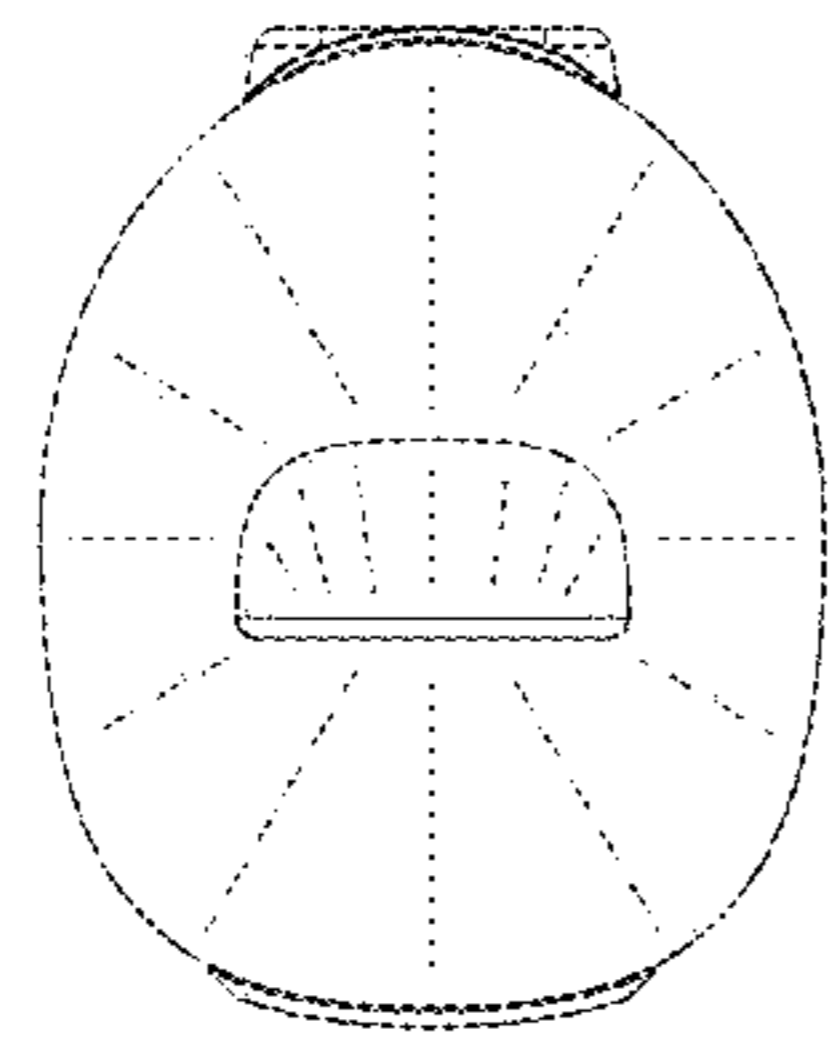


FIG. 6

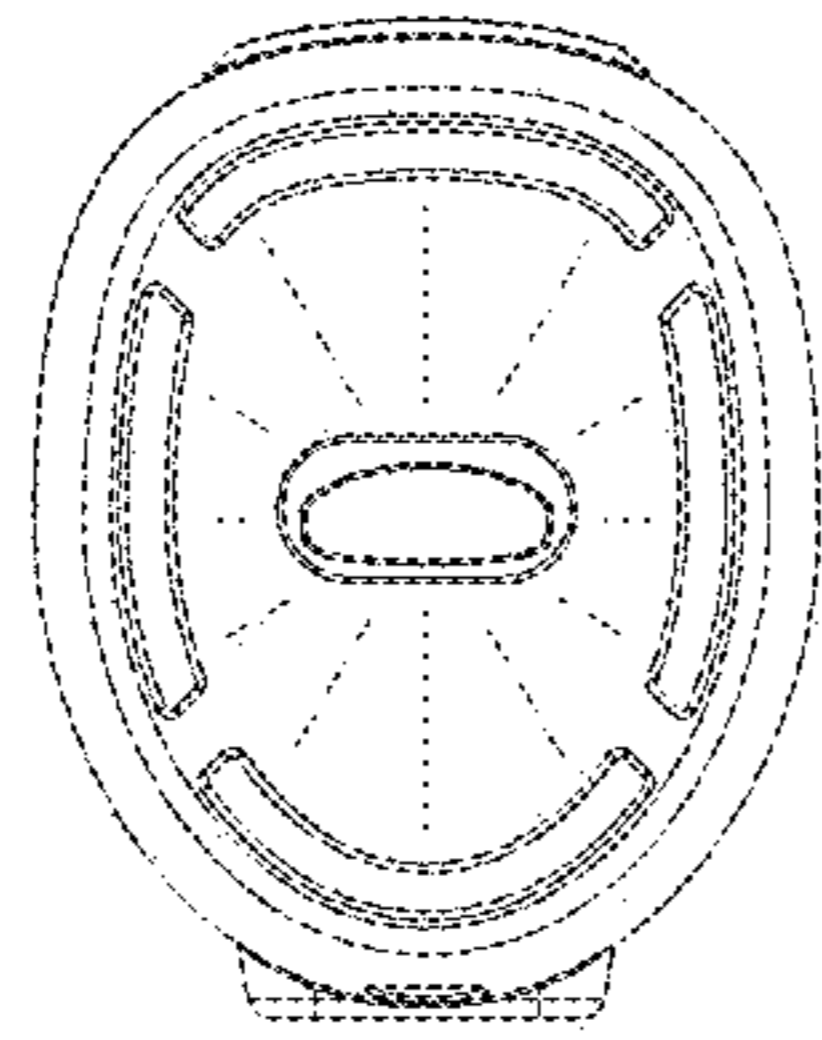


FIG. 7

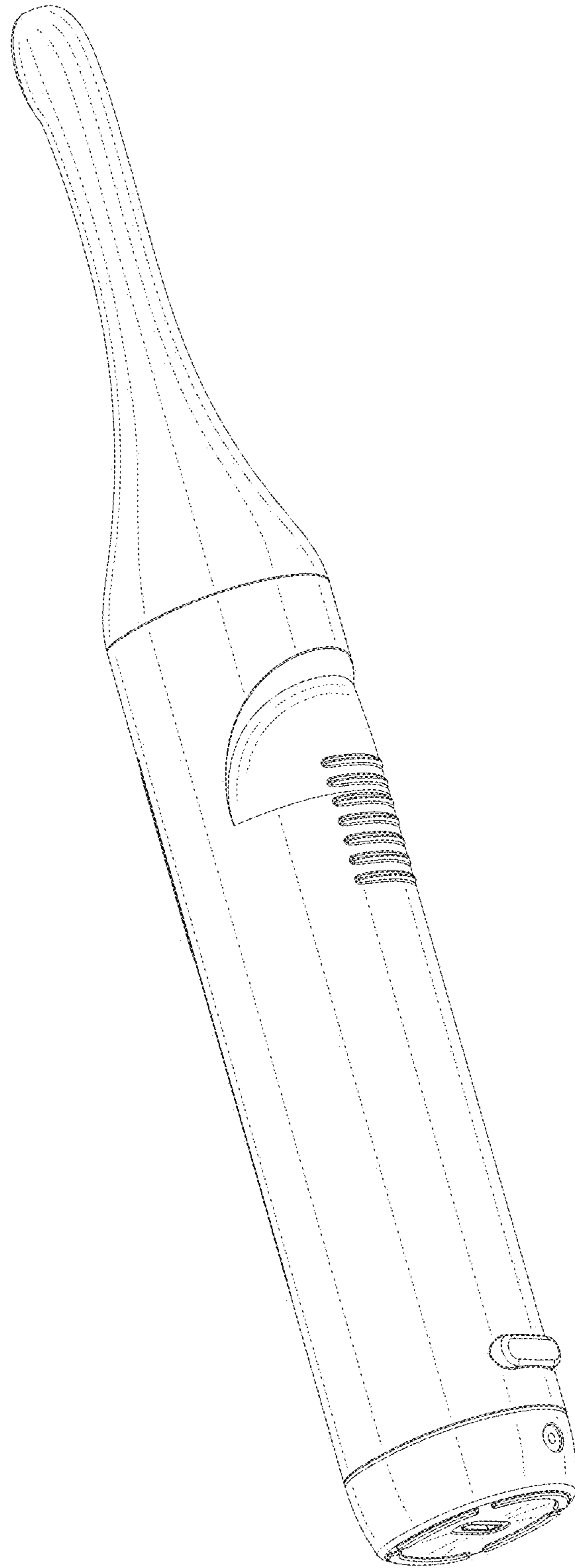


FIG. 8