



US00D952849S

(12) **United States Design Patent** (10) **Patent No.:** **US D952,849 S**  
**Olson** (45) **Date of Patent:** **\*\* May 24, 2022**

- (54) **EAR CLEANER**
- (71) Applicant: **Quest Products, LLC**, Pleasant Prairie, WI (US)
- (72) Inventor: **Richard Carl Olson**, Deerfield Beach, FL (US)
- (73) Assignee: **Quest Products, LLC**, Pleasant Prairie, WI (US)
- (\*\*) Term: **15 Years**
- (21) Appl. No.: **29/684,273**
- (22) Filed: **Mar. 19, 2019**

D296,005 S 5/1988 Alkire  
 4,746,238 A 5/1988 Levine  
 4,935,001 A 6/1990 George  
 5,107,861 A 4/1992 Narboni  
 D327,322 S 6/1992 Brewer, Jr.  
 (Continued)

**FOREIGN PATENT DOCUMENTS**

AU 2013100584 8/2013  
 EP 0158543 10/1985  
 (Continued)

**OTHER PUBLICATIONS**

Ototek Loop Ear Wax Removal [https://www.amazon.com/Ototek-Loop-Ear-Wax-Removal/product-reviews/B008BXLINQ/ref=cm\\_cr\\_getr\\_d\\_paging\\_btm\\_next\\_35?ie=UTF8&reviewerType=all\\_reviews&sortBy=recent&pageNumber=35](https://www.amazon.com/Ototek-Loop-Ear-Wax-Removal/product-reviews/B008BXLINQ/ref=cm_cr_getr_d_paging_btm_next_35?ie=UTF8&reviewerType=all_reviews&sortBy=recent&pageNumber=35) Aug. 13, 2012 (Year: 2012).\*  
 (Continued)

**Related U.S. Application Data**

- (62) Division of application No. 29/567,975, filed on Jun. 14, 2016, now Pat. No. Des. 847,993.
- (51) **LOC (13) Cl.** ..... **24-02**
- (52) **U.S. Cl.**  
USPC ..... **D24/147**
- (58) **Field of Classification Search**  
USPC ..... D24/119, 133, 146, 147, 151; 606/160, 606/161, 162; 604/1, 11; 15/176.2, 15/209.1, 244.4; 132/333  
CPC ..... A61F 11/006; A61F 11/00; A61F 13/38; A61F 13/385; A61F 2240/001; A61F 2250/0014; A61F 2250/0037; A61B 17/24  
See application file for complete search history.

*Primary Examiner* — Samantha Q Lawrence  
 (74) *Attorney, Agent, or Firm* — Fitch, Even, Tabin & Flannery LLP

(57) **CLAIM**

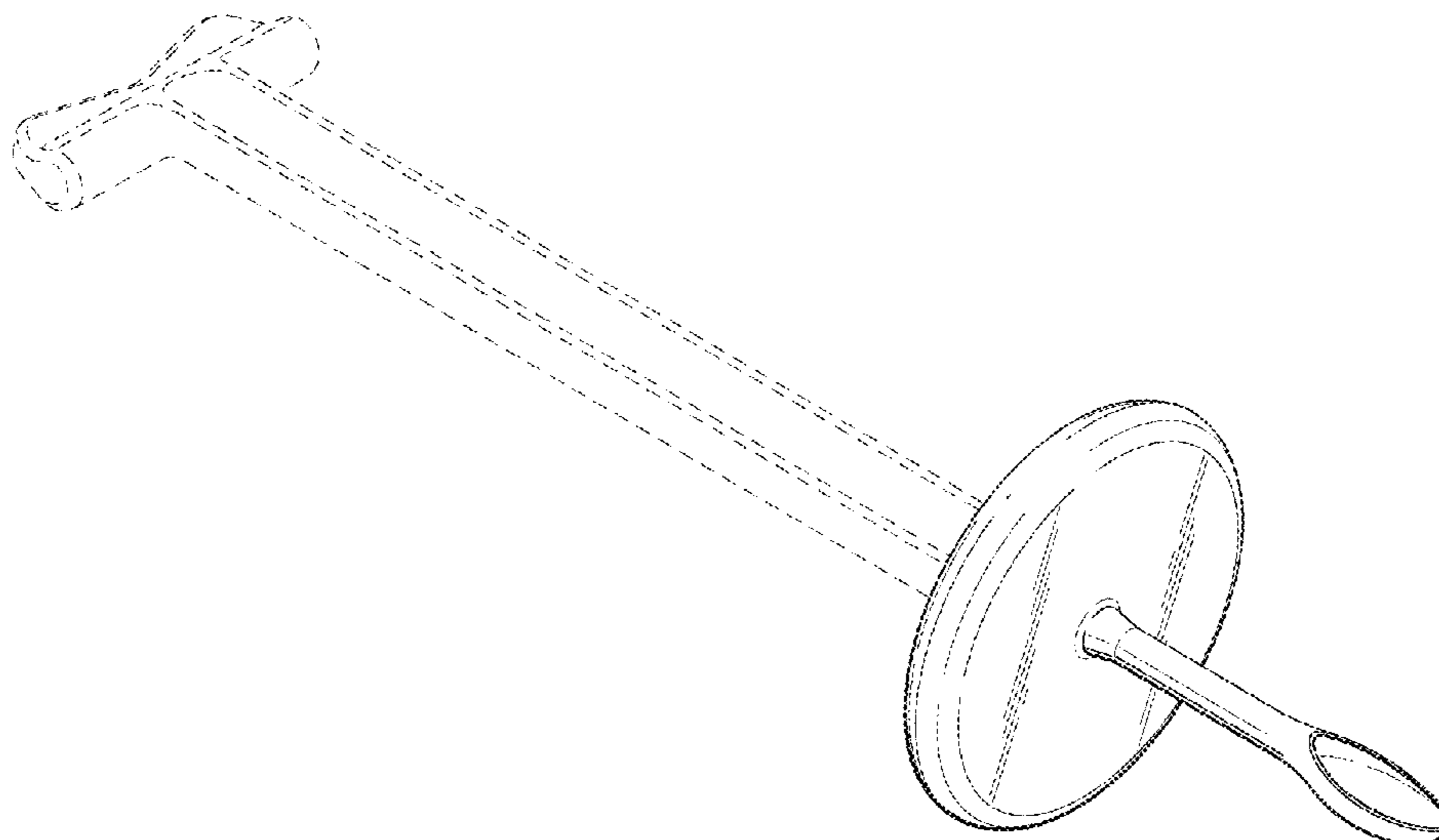
I claim the ornamental design for an ear cleaner, as shown and described.

**DESCRIPTION**

FIG. 1 is a perspective view of an ear cleaner, showing my new design;  
 FIG. 2 is a top plan view thereof;  
 FIG. 3 is a bottom plan view thereof;  
 FIG. 4 is a side elevational view thereof, the opposite side elevational view being a mirror image thereof;  
 FIG. 5 is a rear elevational view thereof; and,  
 FIG. 6 is a front elevational view thereof.  
 The broken lines shown in FIGS. 1-6 illustrate portions of the ear cleaner that form no part of the claimed design.

**1 Claim, 3 Drawing Sheets**

- (56) **References Cited**  
U.S. PATENT DOCUMENTS
- |             |         |            |
|-------------|---------|------------|
| 147,660 A   | 2/1874  | Leiner     |
| 651,395 A   | 6/1900  | Stapp      |
| D144,599 S  | 4/1946  | Tupper     |
| 3,099,263 A | 7/1963  | Palazzolo  |
| 3,203,418 A | 8/1965  | Johnston   |
| 4,091,497 A | 5/1978  | Bade       |
| 4,411,265 A | 10/1983 | Eichenlaub |
| 4,568,326 A | 2/1986  | Rangaswamy |



(56)

References Cited

U.S. PATENT DOCUMENTS

5,223,259 A 6/1993 Lackney  
 D339,036 S 9/1993 McDaniel  
 5,334,212 A 8/1994 Karell  
 5,374,276 A 12/1994 Lay  
 D362,067 S 9/1995 Chang  
 5,509,921 A 4/1996 Karell  
 5,632,756 A 5/1997 Kruglick  
 5,715,850 A 2/1998 Markgraaf  
 D405,175 S 2/1999 Stredic, III  
 5,888,199 A 3/1999 Karell  
 5,897,568 A 4/1999 Vanraes  
 D414,866 S 10/1999 Szabo  
 D415,275 S 10/1999 Huttner  
 D420,133 S 2/2000 Huttner  
 6,033,417 A 3/2000 Tseng  
 D422,360 S 4/2000 Young  
 6,080,126 A 6/2000 Zygmunt  
 D432,239 S 10/2000 Shimizu  
 D441,141 S 4/2001 Shalita  
 D444,556 S 7/2001 Estrem  
 6,270,510 B1 8/2001 Westendorf  
 D469,871 S 2/2003 Sand  
 6,695,802 B1 2/2004 Thompson  
 D489,131 S 4/2004 Gojcaj  
 D489,133 S 4/2004 Shimizu  
 D490,523 S 5/2004 Samborski  
 6,736,826 B2 5/2004 Begun  
 6,939,360 B2 9/2005 Crespo  
 D515,213 S 2/2006 Huttner  
 7,070,603 B2 7/2006 Eicoff  
 7,074,230 B2 7/2006 Olson  
 D545,431 S 6/2007 Khademhosseini  
 D546,948 S 7/2007 Huttner  
 D547,869 S 7/2007 Eckman  
 D560,800 S \* 1/2008 Curtis ..... D24/119  
 D560,806 S 1/2008 Eckman  
 D567,373 S 4/2008 Irby  
 D603,046 S 10/2009 Frey  
 7,658,745 B2 2/2010 Olson  
 D631,957 S 2/2011 Perez  
 D638,985 S 5/2011 Limongi  
 7,951,106 B1 5/2011 Perez  
 D654,165 S 2/2012 Yates  
 D701,600 S 3/2014 Kauffman  
 9,232,853 B2 1/2016 Olson  
 9,233,027 B1 1/2016 Jackson  
 9,278,030 B2 3/2016 Olson  
 D757,938 S 5/2016 Jackson  
 10,219,951 B2 \* 3/2019 Olson ..... A61F 11/006  
 D847,993 S 5/2019 Olson  
 10,479,842 B2 \* 11/2019 Haley ..... A61K 31/728  
 10,531,986 B2 1/2020 Olson  
 11,045,357 B2 6/2021 Olson  
 2001/0001828 A1 5/2001 Begun  
 2003/0135228 A1 7/2003 Crespo  
 2003/0187469 A1 10/2003 Olson  
 2005/0096678 A1 5/2005 Olson  
 2008/0300527 A1 12/2008 Bivins  
 2009/0248029 A1 10/2009 Paulos  
 2010/0312198 A1 12/2010 Guidi  
 2011/0179887 A1 7/2011 Cobian  
 2012/0296355 A1 11/2012 Burres  
 2013/0331804 A1 12/2013 Nino

2014/0031846 A1 1/2014 Edme  
 2014/0276893 A1 9/2014 Schaller  
 2015/0018861 A1 1/2015 Olson  
 2016/0175154 A1 6/2016 Olson  
 2017/0087024 A1 \* 3/2017 Al-Bakkour ..... A61F 11/006  
 2017/0354541 A1 12/2017 Olson  
 2019/0159936 A1 5/2019 Olson  
 2020/0214895 A1 7/2020 Olson  
 2021/0346206 A1 11/2021 Olson

FOREIGN PATENT DOCUMENTS

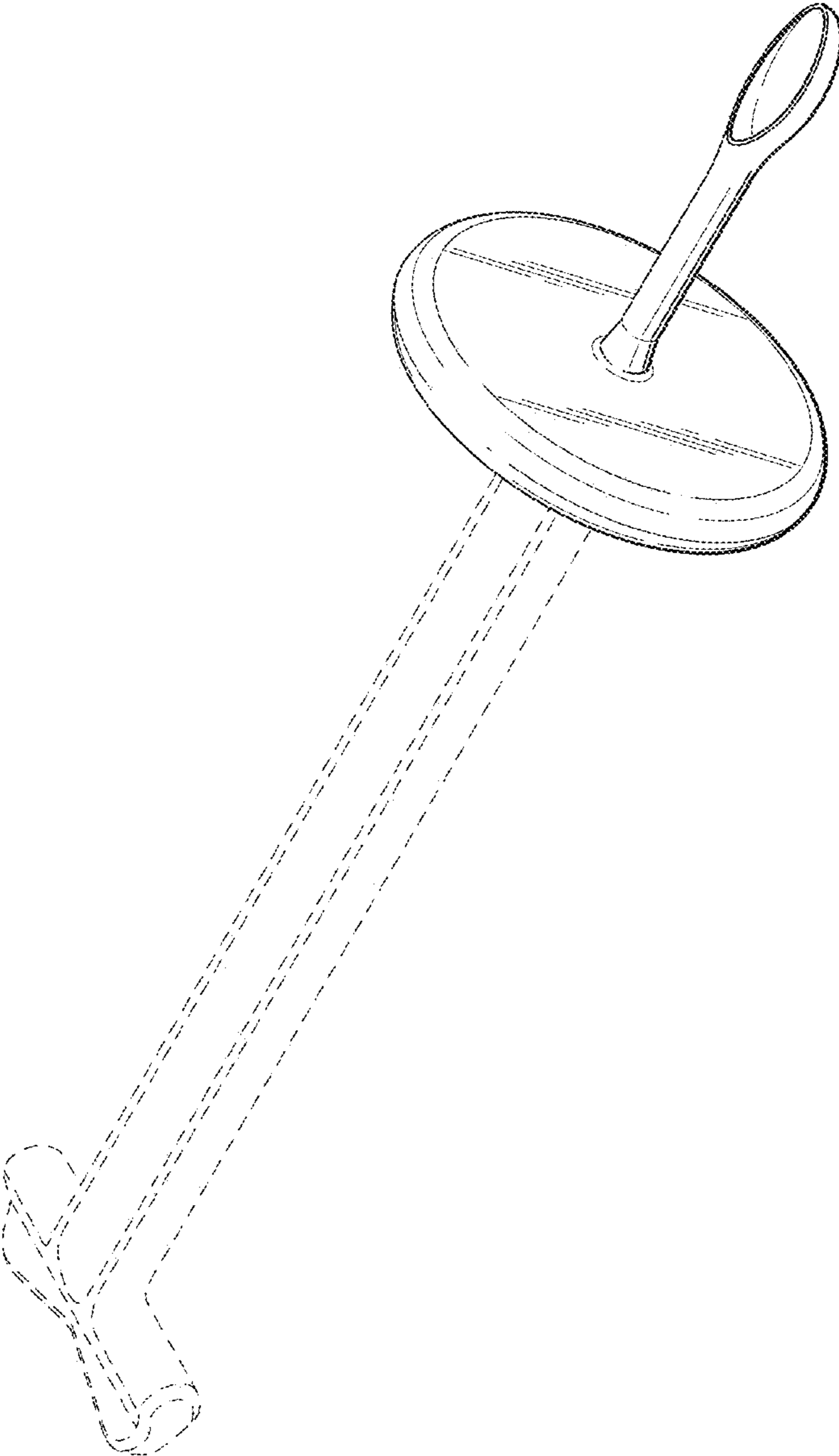
EP 0234061 9/1987  
 EP 0875221 11/1998  
 WO 1996037172 11/1996

OTHER PUBLICATIONS

U.S. Appl. No. 16/265,072, filed Feb. 1, 2019, Richard Carl Olson.  
 "Pictures of an Ear Cleaning Device and Its Retail Packaging." The ear cleaning device being publicly available before Jun. 14, 2016, 3 pages.  
 "Pictures of Another Clinere® Brand Ear Cleaner." The ear cleaning device being publicly available for purchase more than one year before Jul. 15, 2013, 3 pages.  
 "Pictures of Clinere® Brand Ear Cleaner." The ear cleaning device being publicly available for purchase more than one year before Jul. 15, 2013, 3 pages.  
 "Pictures of Ear Cleaner—Earvana 1." The ear cleaner being publicly available before Mar. 2013, 2 pages.  
 "Pictures of Ear Cleaner—Earvana 2." The ear cleaner being publicly available before Mar. 2013, 2 pages.  
 "Pictures of Ear Cleaner—Earvana 3." The ear cleaner being publicly available before Mar. 2013, 2 pages.  
 "Pictures of Ear Cleaner—Earvana 4." The ear cleaner being publicly available before Mar. 2013, 2 pages.  
 "Pictures of Ear Scrubber Ear Cleaner." The ear cleaner being publicly available Nov. 2015, 1 page.  
 "Pictures of Ototek Loop Ear Cleaner." The ear cleaner being publicly available for sale before Jul. 15, 2012, 3 pages.  
 "Pictures of Walgreens Brand Ear Cleaner." The ear cleaning device being publicly available for purchase on or about Jun. 29, 2017, 3 pages.  
 Clinere Earwax Cleaning Kit [https://www.amazon.com/Clinere-Earwax-Cleaning-Kit/dp/BO101K30PI/ref=sr\\_1\\_3\\_s\\_it?s=hpc&ie=UTF8&qid=1522946098&sr=1-3&keywords=clinere#customerReviews](https://www.amazon.com/Clinere-Earwax-Cleaning-Kit/dp/BO101K30PI/ref=sr_1_3_s_it?s=hpc&ie=UTF8&qid=1522946098&sr=1-3&keywords=clinere#customerReviews) Jan. 7, 2017 (Year: 2017).  
 Ototek Loop Ear Wax Removal [https://www.amazon.com/Ototek-Loop-Ear-Wax-Removal/dp/B008BXLINQ/ref=cm\\_cr\\_ar\\_p\\_d\\_product\\_top?ie=UTF8](https://www.amazon.com/Ototek-Loop-Ear-Wax-Removal/dp/B008BXLINQ/ref=cm_cr_ar_p_d_product_top?ie=UTF8) Aug. 13, 2012 (Year: 2012).  
 United States Patent Office, Office Action dated Apr. 16, 2018, from related U.S. Appl. No. 29/567,975, 12 pages.  
 United States Patent Office, Office Action dated May 29, 2019, from related U.S. Appl. No. 15/655,332, 17 pages.  
 YouTube video entitled "Smart Swab," posted Sep. 4, 2014, screen captures and video description, 5 pages. <<https://youtu.be/XNSpdXUwNuM>>.  
 U.S. Appl. No. 16/739,859, "Ear Cleaner," filed Jan. 10, 2020.  
 Response to Office Action filed May 20, 2005, from U.S. Appl. No. 10/369,915, 4 pages.  
 Response to Office Action filed Office Action dated Jan. 5, 2006, from U.S. Appl. No. 10/369,915, 8 pages.

\* cited by examiner

Fig. 1





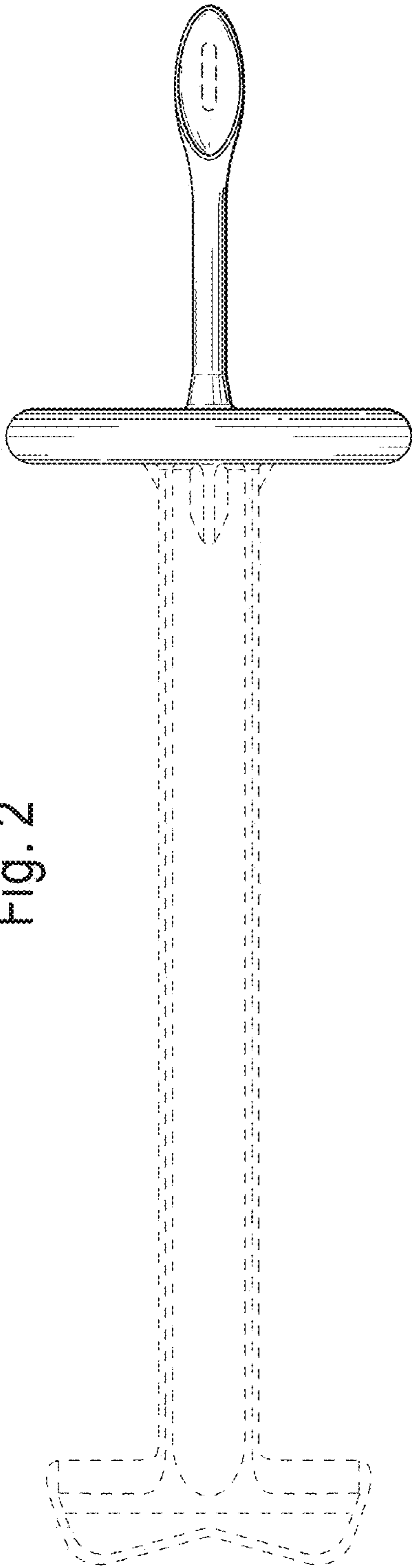


Fig. 2

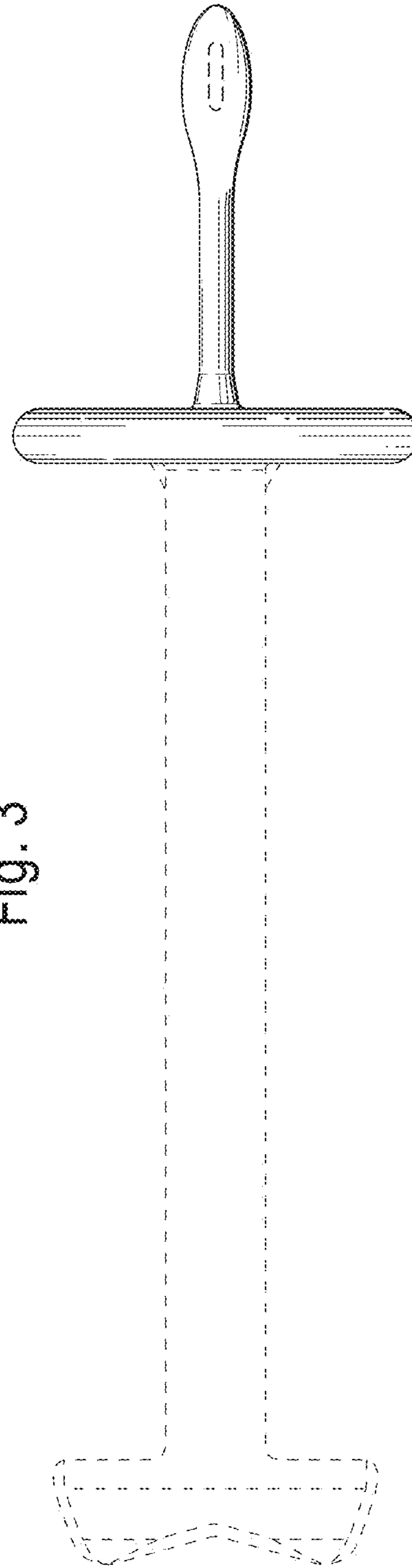


Fig. 3

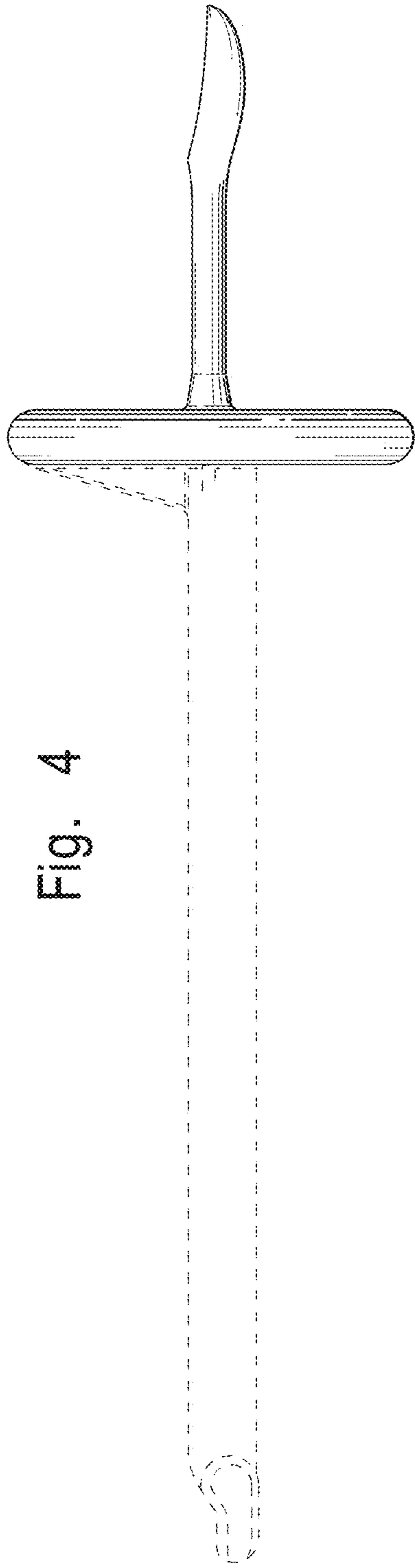


Fig. 4

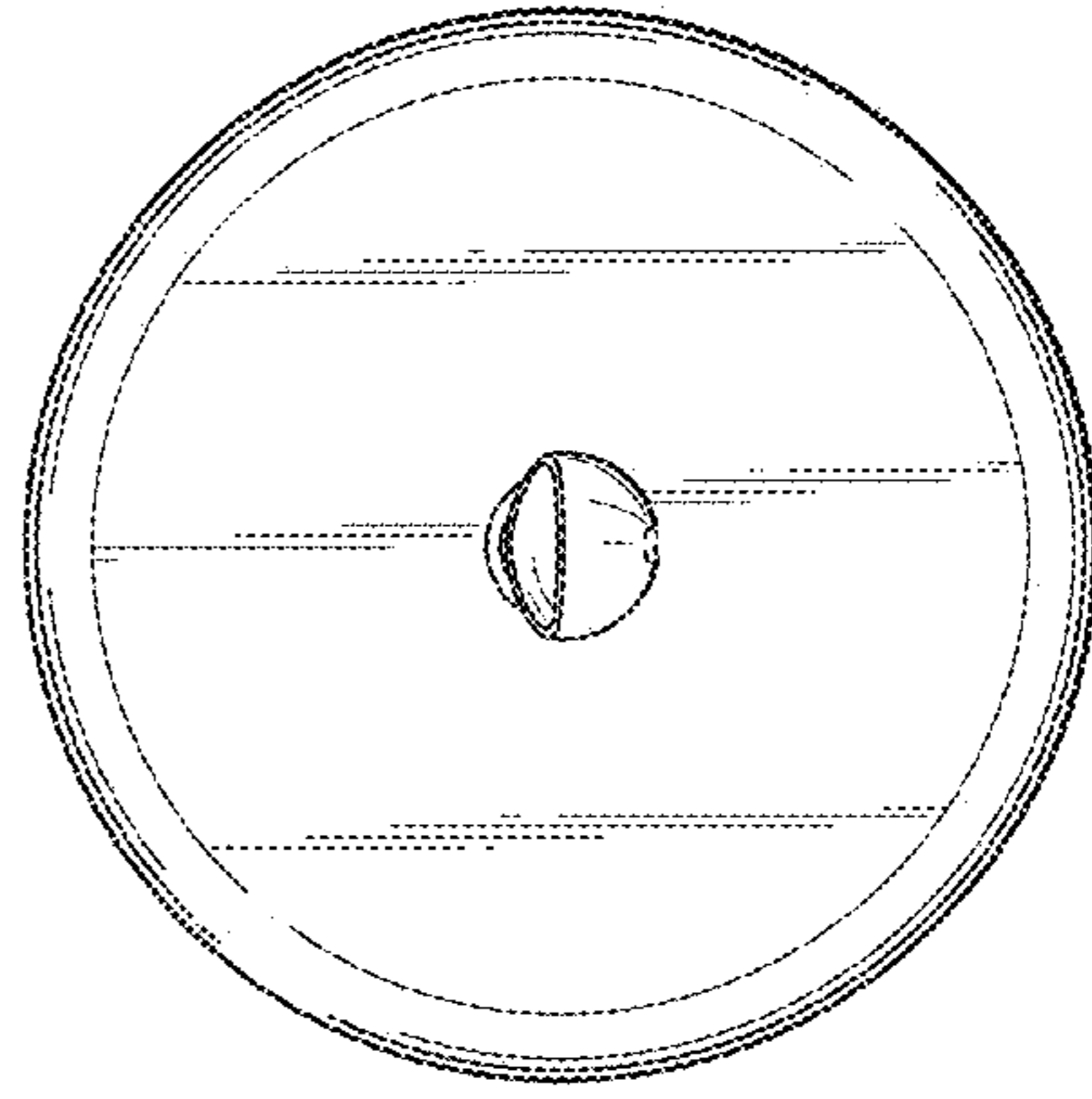


Fig. 6

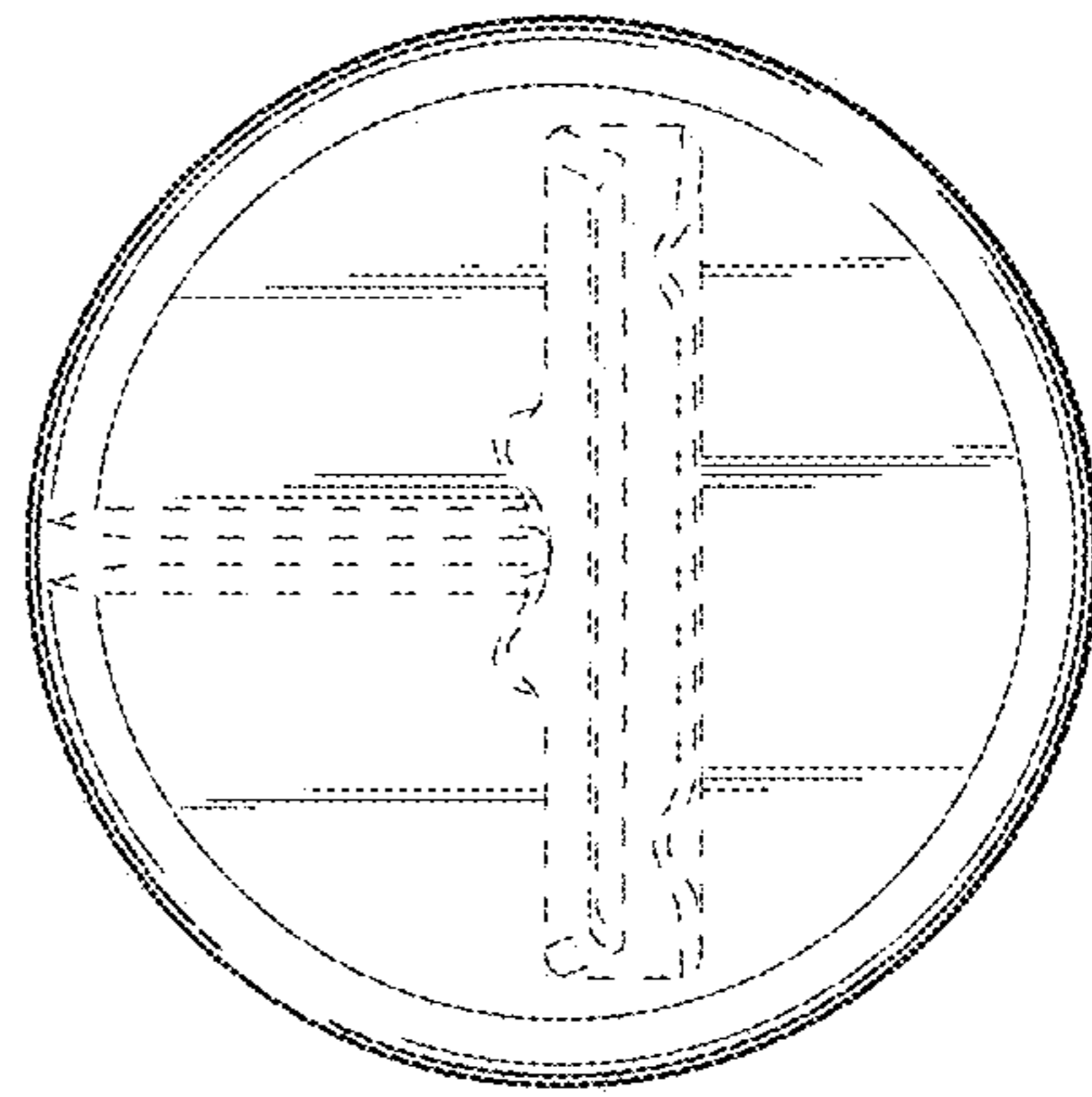


Fig. 5