



US00D952848S

(12) **United States Design Patent**  
**Keach**

(10) **Patent No.:** **US D952,848 S**

(45) **Date of Patent:** **\*\* May 24, 2022**

(54) **MEASUREMENT GUIDE FOR AN ACETABULAR CUP EXTRACTOR**

(71) Applicant: **Shukla Medical**, St. Petersburg, FL (US)

(72) Inventor: **Nicholas Christopher Keach**, Lutz, FL (US)

(73) Assignee: **Shukla Medical**, St. Petersburg, FL (US)

(\*\*) Term: **15 Years**

(21) Appl. No.: **29/757,387**

(22) Filed: **Nov. 5, 2020**

(51) **LOC (13) Cl.** ..... **24-02**

(52) **U.S. Cl.**  
USPC ..... **D24/140**

(58) **Field of Classification Search**  
USPC ..... D24/140, 135, 133  
CPC ..... A61B 17/1746; A61B 17/16; A61B 17/17;  
A61F 2002/3401; A61F 2/32; A61F 2/34  
See application file for complete search history.

(56) **References Cited**

U.S. PATENT DOCUMENTS

- 4,528,980 A \* 7/1985 Kenna ..... A61B 17/1746  
606/80
- D284,889 S \* 7/1986 Kenna ..... D24/140
- D331,461 S \* 12/1992 Lester ..... D24/133
- 5,879,401 A \* 3/1999 Besemer ..... A61F 2/4684  
623/22.28
- D443,359 S \* 6/2001 Nathanson ..... D24/135
- D638,938 S \* 5/2011 Doll ..... D24/140
- D665,907 S \* 8/2012 Doll ..... D24/140

- D829,904 S \* 10/2018 Piferi ..... D24/140
- D846,122 S \* 4/2019 Pintor ..... D24/140
- D910,173 S \* 2/2021 Piferi ..... D24/140
- 2005/0228394 A1 \* 10/2005 Bihary ..... A61F 2/4609  
606/91
- 2006/0167462 A1 \* 7/2006 Raugel ..... A61F 2/4609  
606/91
- 2015/0182351 A1 \* 7/2015 Behzadi ..... A61B 17/92  
606/91

\* cited by examiner

*Primary Examiner* — Bridget L Eland

(74) *Attorney, Agent, or Firm* — Kim IP Law Group LLC

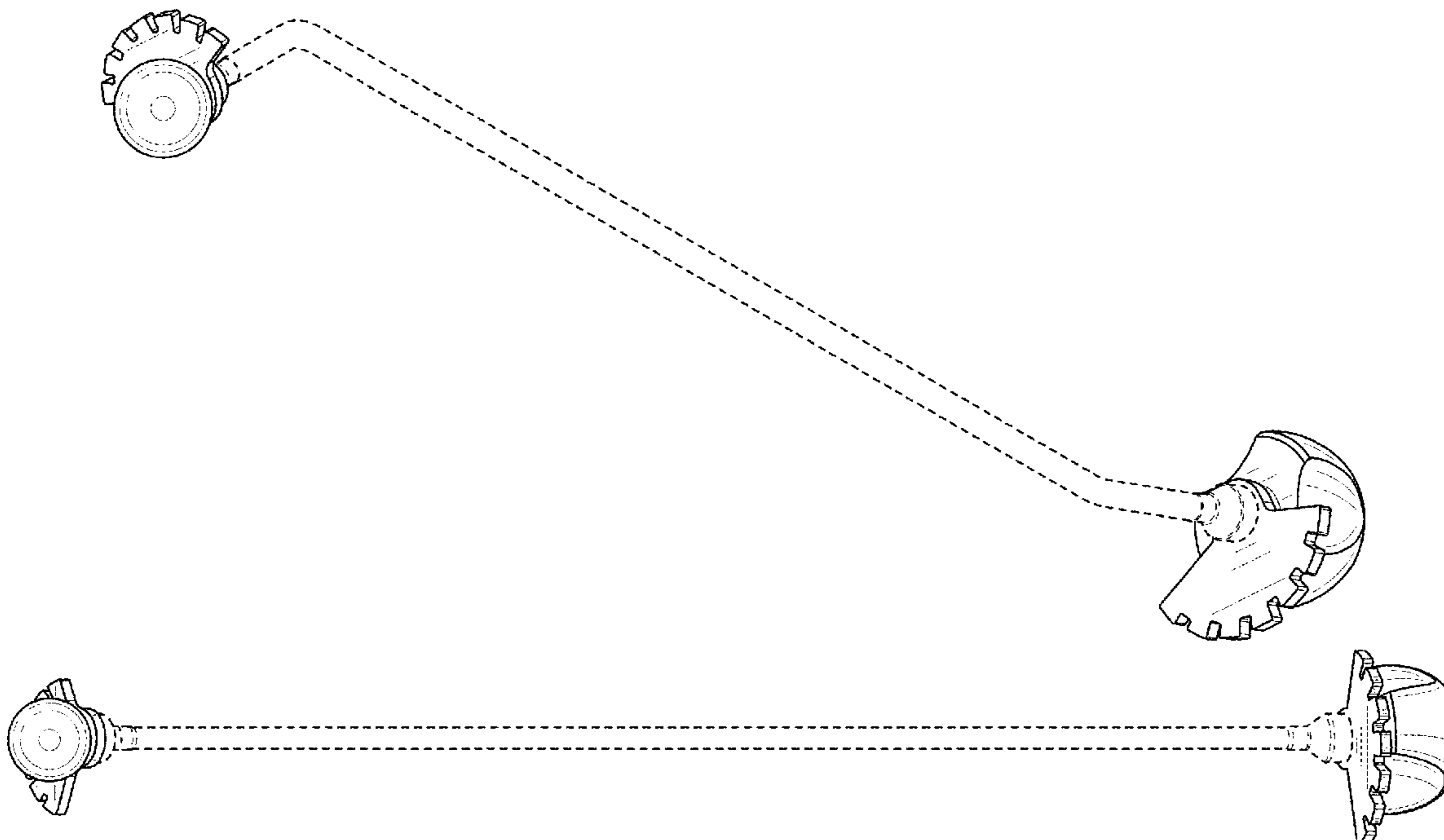
(57) **CLAIM**

The ornamental design for a measurement guide for an acetabular cup extractor, as shown and described.

**DESCRIPTION**

FIG. 1 is a perspective view of a measurement guide for an acetabular cup extractor in accordance with the new design; FIG. 2 is a top view of the measurement guide for an acetabular cup extractor of FIG. 1; FIG. 3 is a bottom view of the measurement guide for an acetabular cup extractor of FIG. 1; FIG. 4 is a left side view of the measurement guide for an acetabular cup extractor of FIG. 1; FIG. 5 is a right side view of the measurement guide for an acetabular cup extractor of FIG. 1; FIG. 6 is a front view of the measurement guide for an acetabular cup extractor of FIG. 1; and, FIG. 7 is a rear view of the measurement guide for an acetabular cup extractor of FIG. 1. In the drawings, the broken lines illustrate portions of the measurement guide for an acetabular cup extractor that form no part of the claimed design.

**1 Claim, 7 Drawing Sheets**



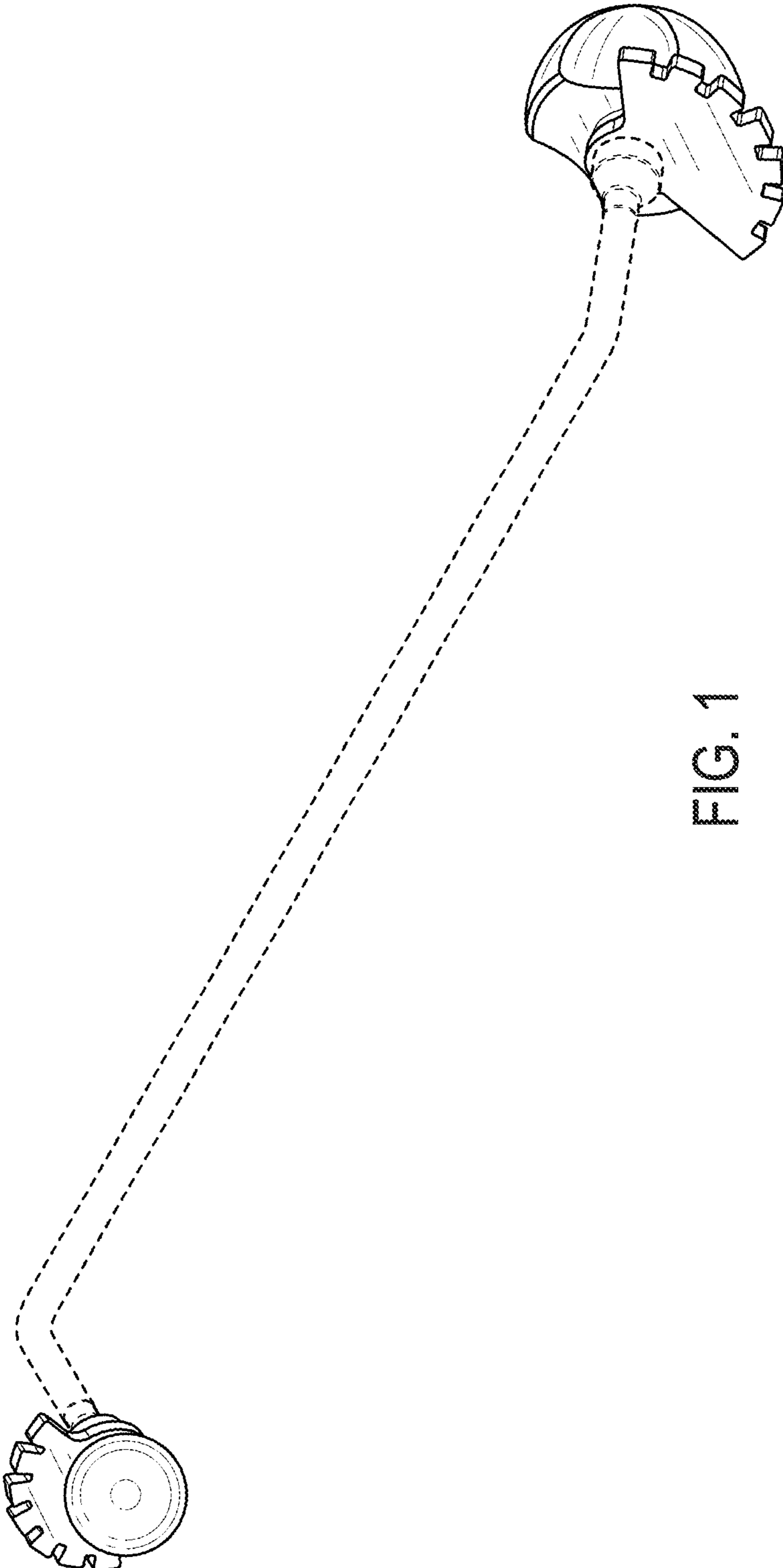


FIG. 1

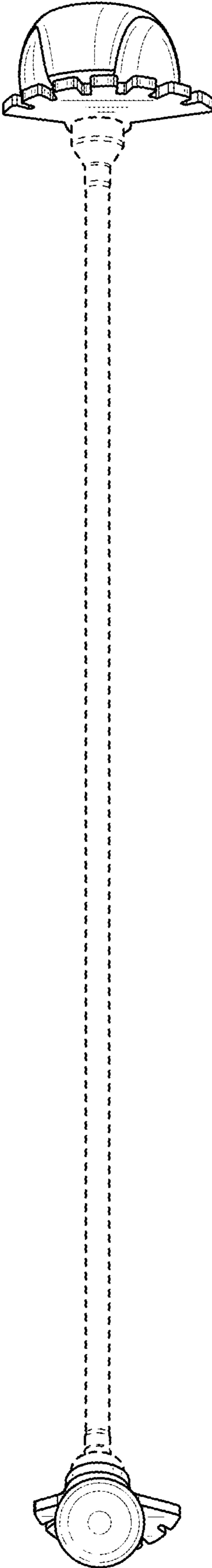


FIG. 2

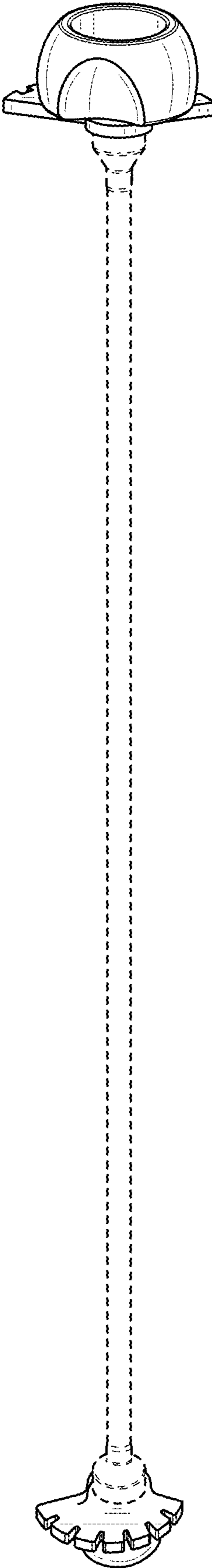


FIG. 3

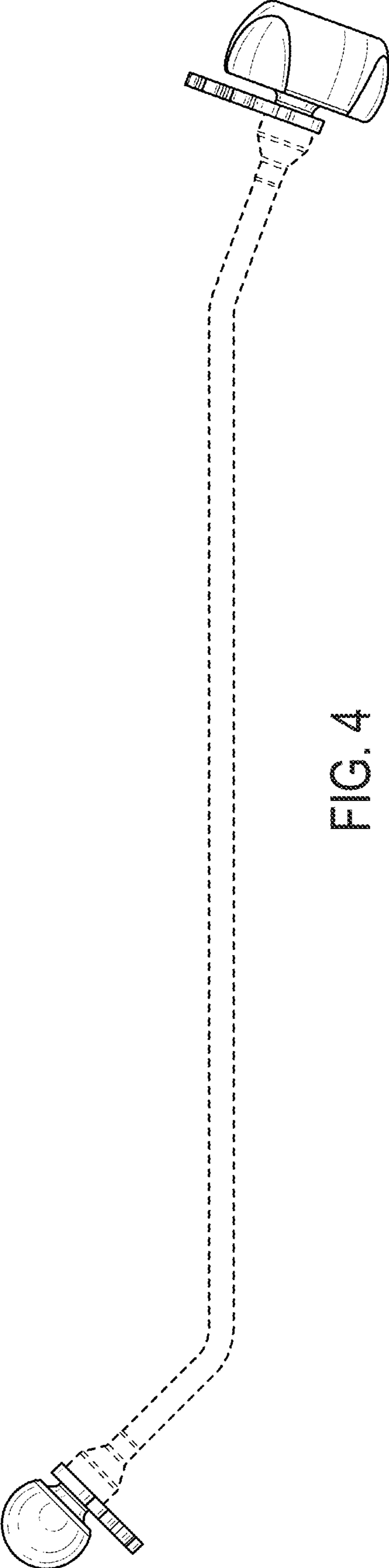


FIG. 4

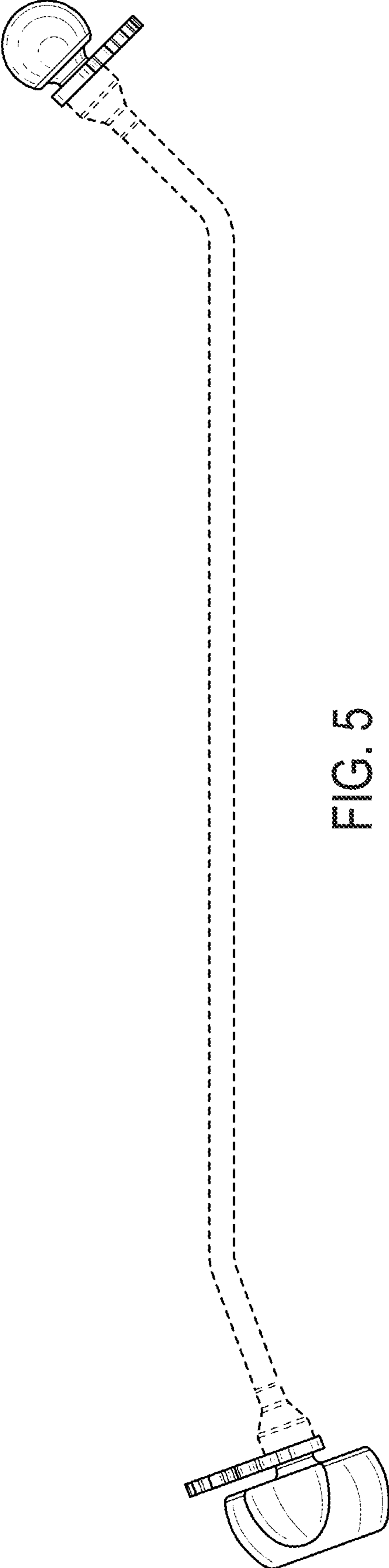


FIG. 5

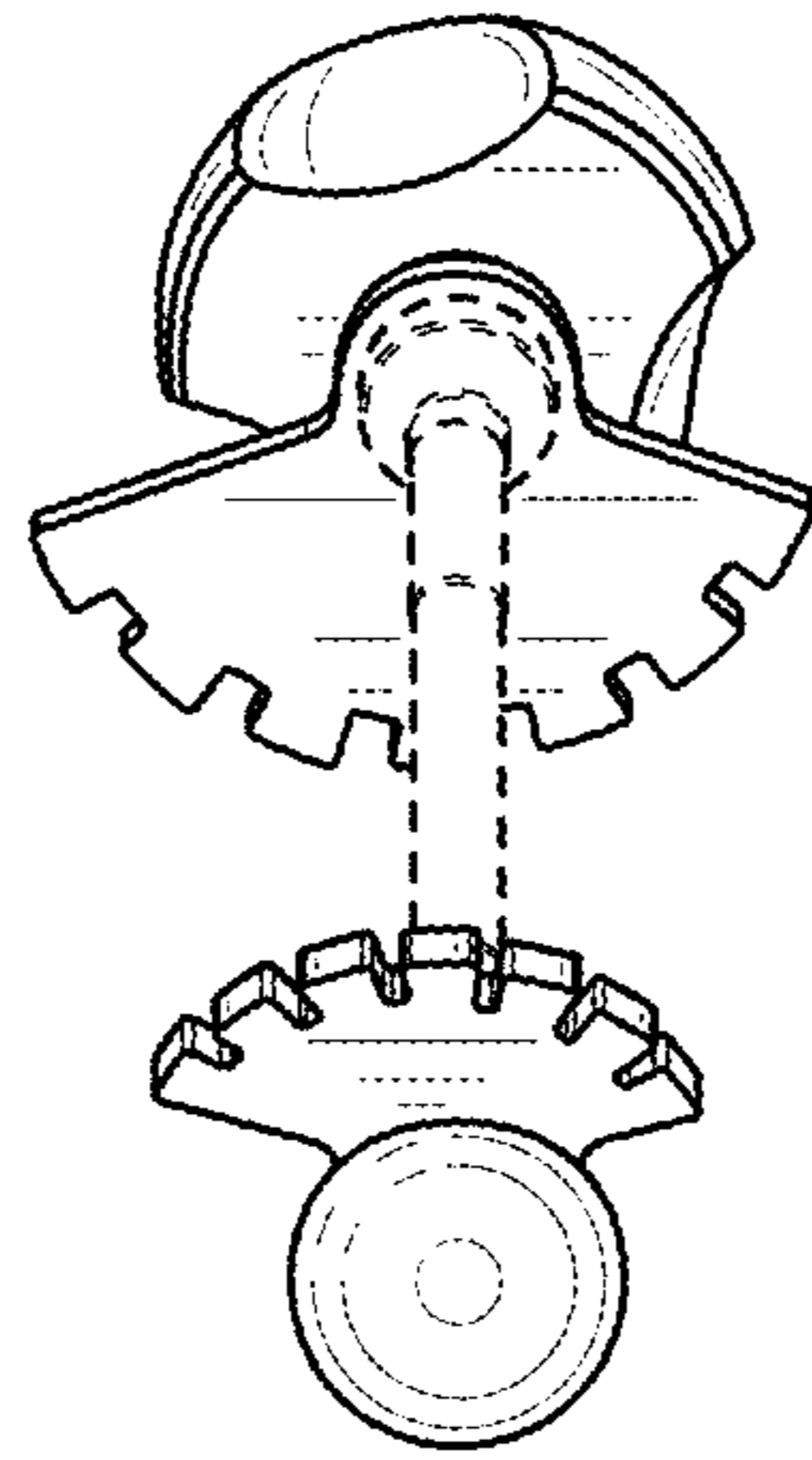


FIG. 6

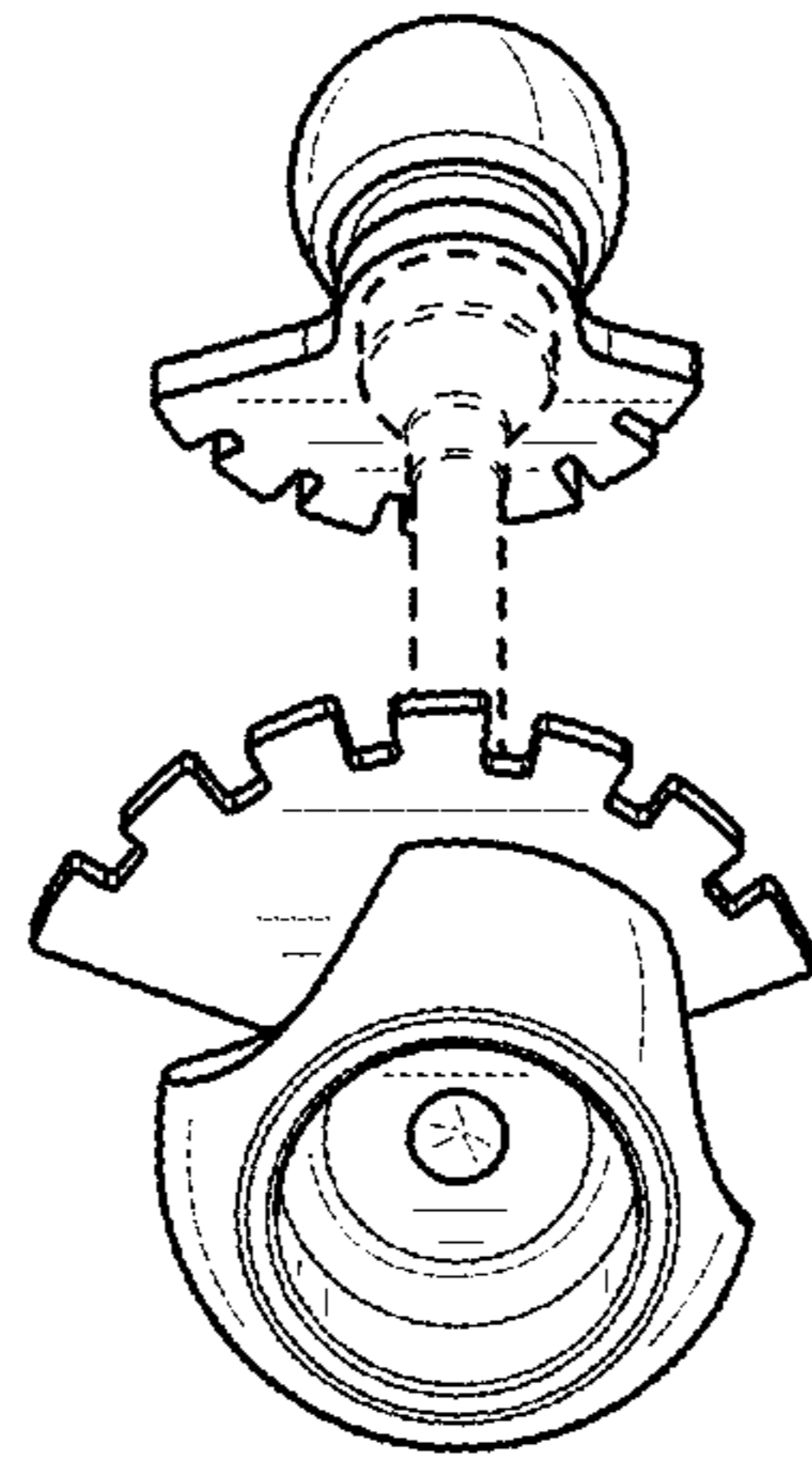


FIG. 7