



US00D952847S

(12) **United States Design Patent**  
**Sweitzer**

(10) **Patent No.:** **US D952,847 S**

(45) **Date of Patent:** **\*\* May 24, 2022**

(54) **COMBINATION DOME GUIDE AND CENTERING SPHERE FOR AN ACETABULAR CUP EXTRACTOR**

(71) Applicant: **Shukla Medical**, St. Petersburg, FL (US)

(72) Inventor: **Zachary Robert Sweitzer**, Keyport, NJ (US)

(73) Assignee: **Shukla Medical**, St. Petersburg, FL (US)

(\*\*) Term: **15 Years**

(21) Appl. No.: **29/757,362**

(22) Filed: **Nov. 5, 2020**

(51) **LOC (13) Cl.** ..... **24-02**

(52) **U.S. Cl.**  
USPC ..... **D24/140**

(58) **Field of Classification Search**  
USPC ..... D24/140, 135, 133  
CPC ..... A61F 2/4603; A61F 2002/4619; A61F 2002/4622; A61F 2002/4627; A61F 2/4607

See application file for complete search history.

(56) **References Cited**

U.S. PATENT DOCUMENTS

|               |         |              |       |                        |
|---------------|---------|--------------|-------|------------------------|
| D249,957 S *  | 10/1978 | Eicher       | ..... | D24/155                |
| D275,320 S *  | 8/1984  | Halcomb, III | ..... | D24/140                |
| D284,889 S *  | 7/1986  | Kenna        | ..... | D24/140                |
| 5,879,398 A * | 3/1999  | Swarts       | ..... | A61F 2/34<br>623/22.21 |
| D527,820 S *  | 9/2006  | Solar        | ..... | D24/140                |
| D566,267 S *  | 4/2008  | Benz         | ..... | D24/133                |
| D618,800 S *  | 6/2010  | Mayon        | ..... | D24/155                |
| D643,926 S *  | 8/2011  | Collins      | ..... | D24/155                |
| D661,390 S *  | 6/2012  | McLain       | ..... | D24/133                |
| D661,392 S *  | 6/2012  | McLain       | ..... | D24/133                |

|              |         |             |       |         |
|--------------|---------|-------------|-------|---------|
| D765,845 S * | 9/2016  | Prybyla     | ..... | D24/155 |
| D847,997 S * | 5/2019  | Termanini   | ..... | D24/155 |
| D851,764 S * | 6/2019  | Termanini   | ..... | D24/155 |
| D851,765 S * | 6/2019  | Termanini   | ..... | D24/155 |
| D858,768 S * | 9/2019  | Casas-Ganem | ..... | D24/155 |
| D858,772 S * | 9/2019  | Termanini   | ..... | D24/155 |
| D905,855 S * | 12/2020 | Feinberg    | ..... | D24/155 |

(Continued)

*Primary Examiner* — Bridget L Eland

(74) *Attorney, Agent, or Firm* — Kim IP Law Group LLC

(57) **CLAIM**

The ornamental design for a combination dome guide and centering sphere for an acetabular cup extractor, as shown and described.

**DESCRIPTION**

FIG. 1 is a perspective view of a combination dome guide and centering sphere for an acetabular cup extractor in accordance with the new design;

FIG. 2 is a front view of the combination dome guide and centering sphere for an acetabular cup extractor of FIG. 1;

FIG. 3 is a rear view of the combination dome guide and centering sphere for an acetabular cup extractor of FIG. 1;

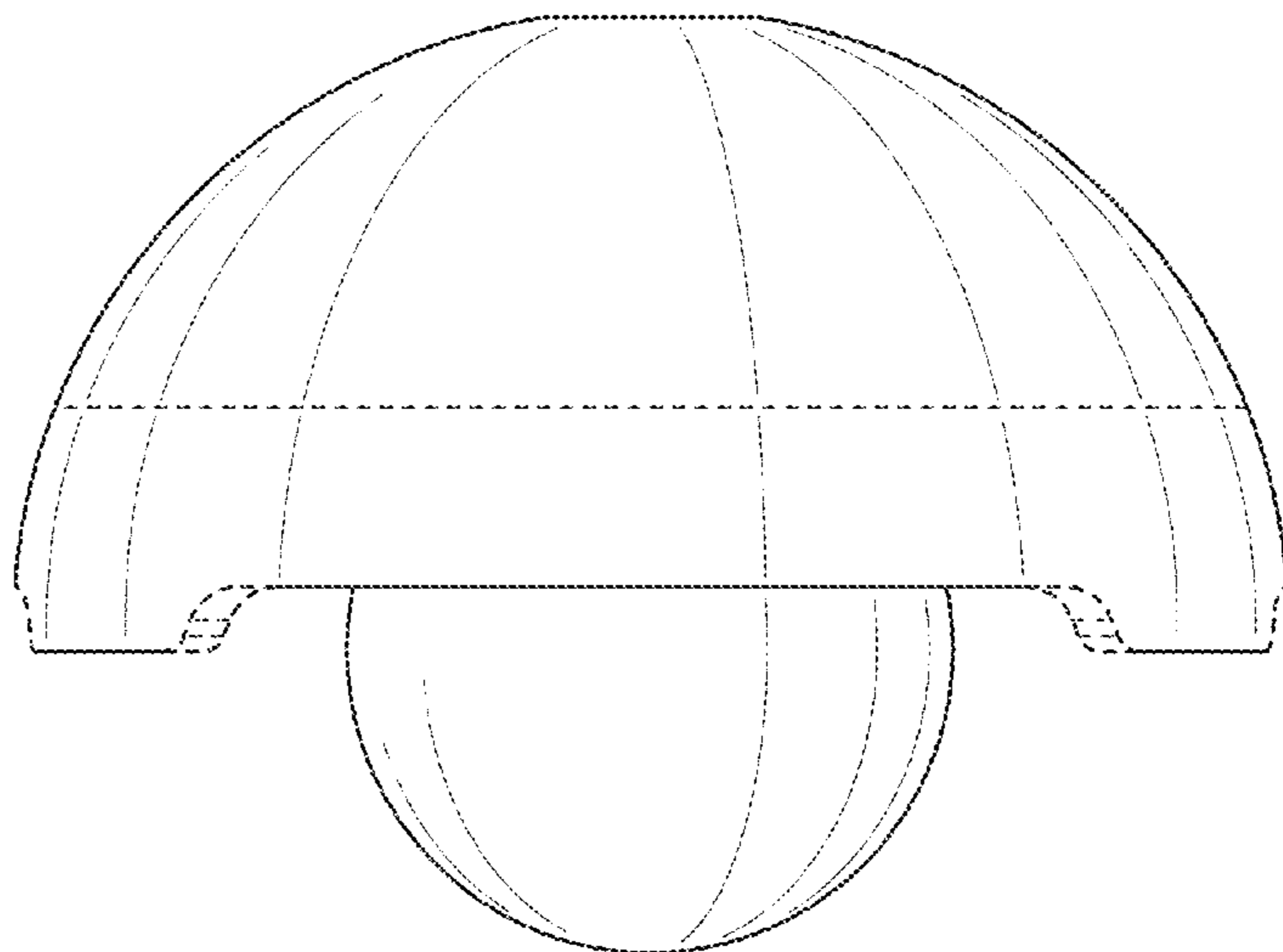
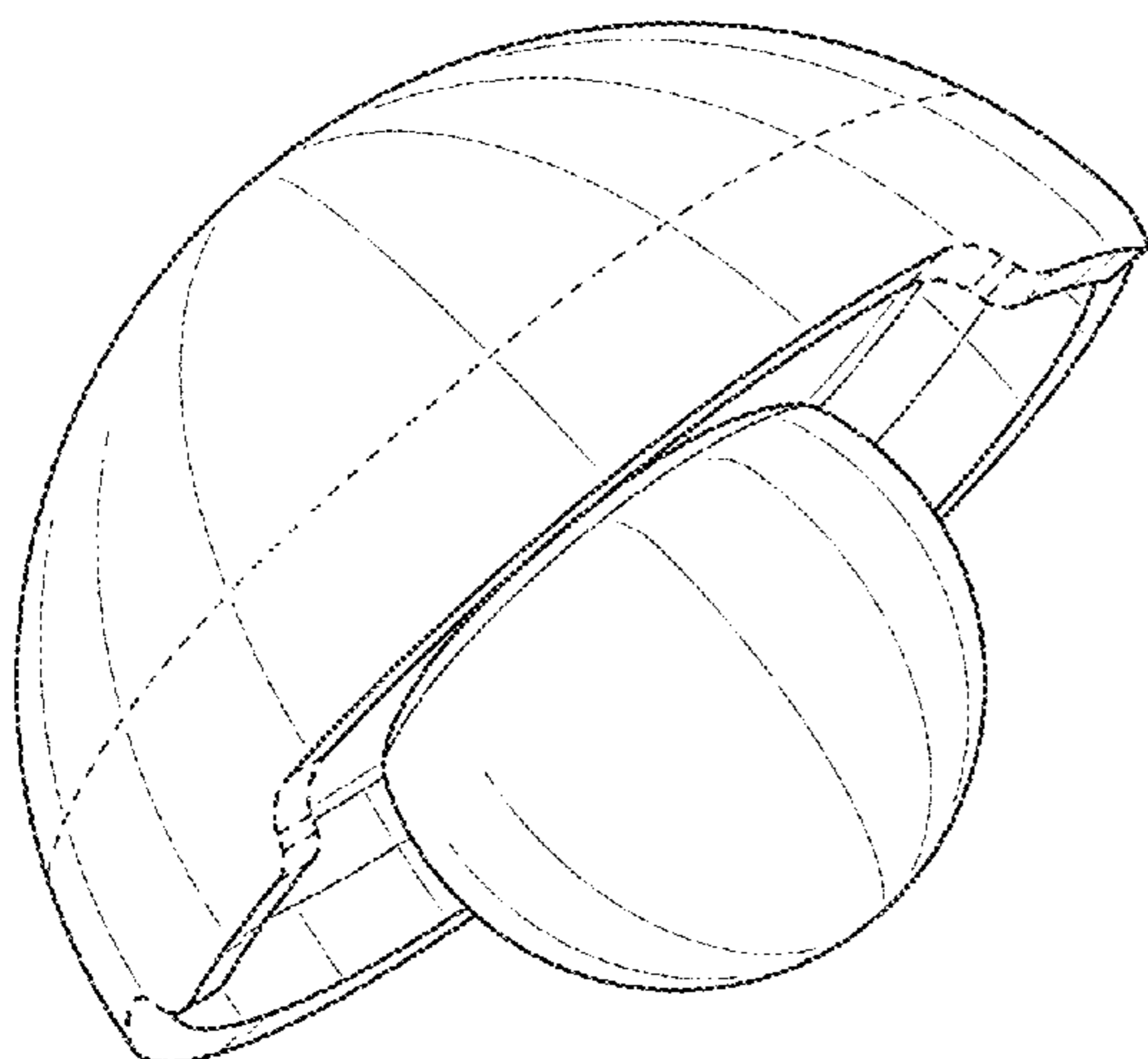
FIG. 4 is a left side view of the combination dome guide and centering sphere for an acetabular cup extractor of FIG. 1;

FIG. 5 is a right side view of the combination dome guide and centering sphere for an acetabular cup extractor of FIG. 1;

FIG. 6 is a top view of the combination dome guide and centering sphere for an acetabular cup extractor of FIG. 1; and,

FIG. 7 is a bottom view of the combination dome guide and centering sphere for an acetabular cup extractor of FIG. 1. In the drawings, the broken lines illustrate portions of the combination dome guide and centering sphere for an acetabular cup extractor that form no part of the claimed design.

**1 Claim, 7 Drawing Sheets**



(56)

**References Cited**

U.S. PATENT DOCUMENTS

D919,089 S \* 5/2021 Termanini ..... D24/155  
D924,399 S \* 7/2021 Conklin ..... D24/140  
11,129,724 B2 \* 9/2021 Knox ..... A61F 2/4014  
D936,223 S \* 11/2021 Kmak ..... D24/140

\* cited by examiner

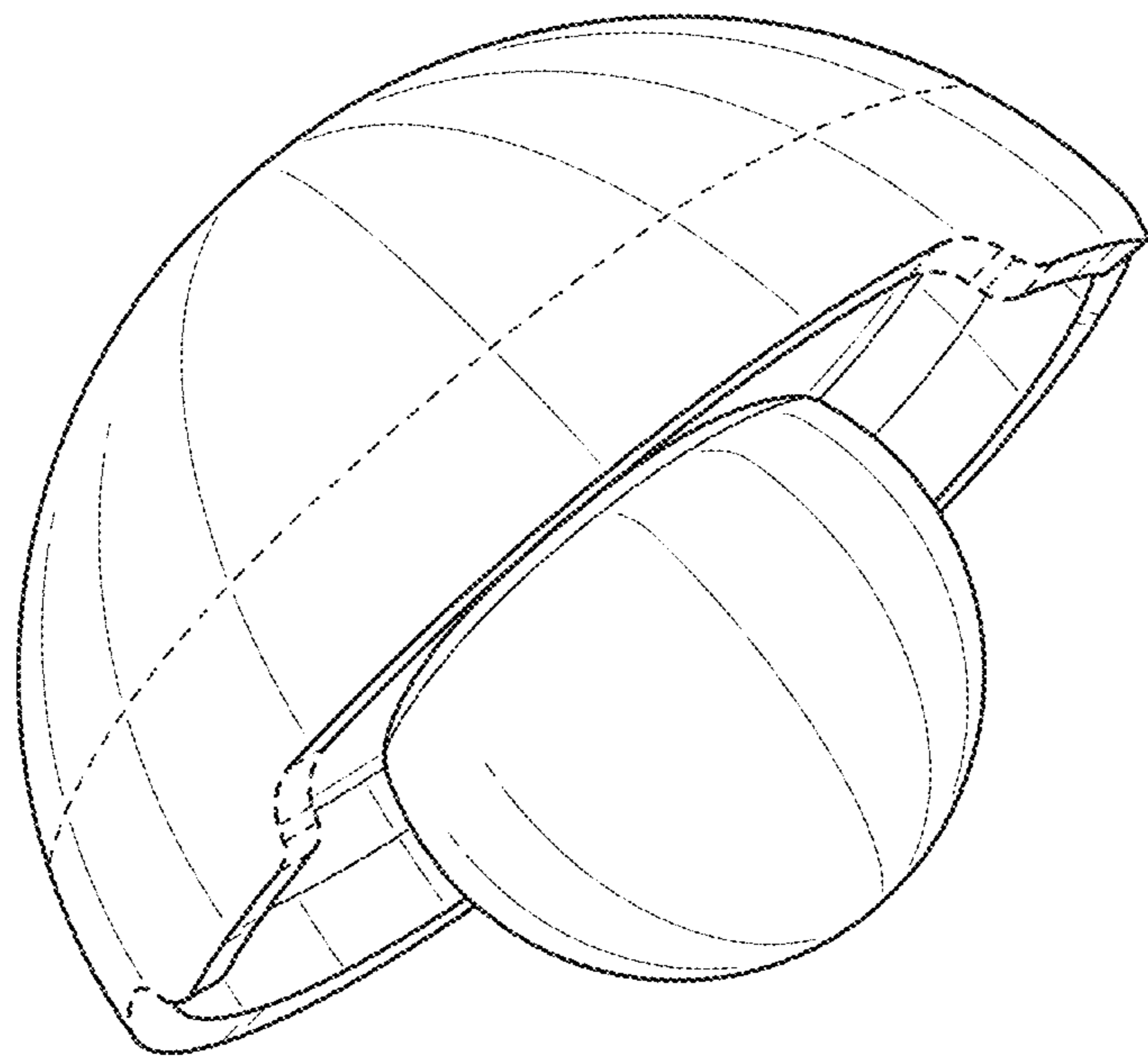


FIG. 1

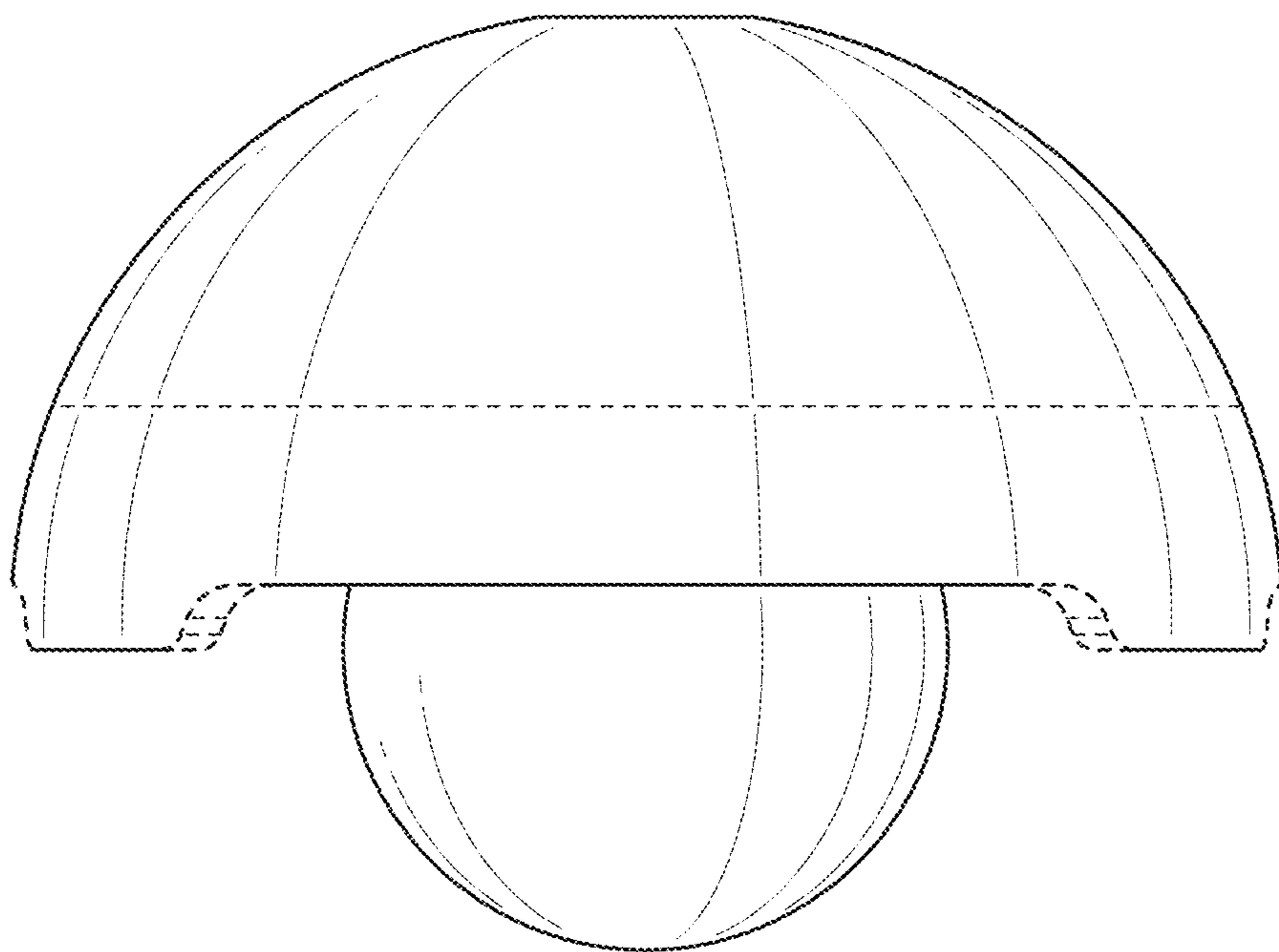


FIG. 2

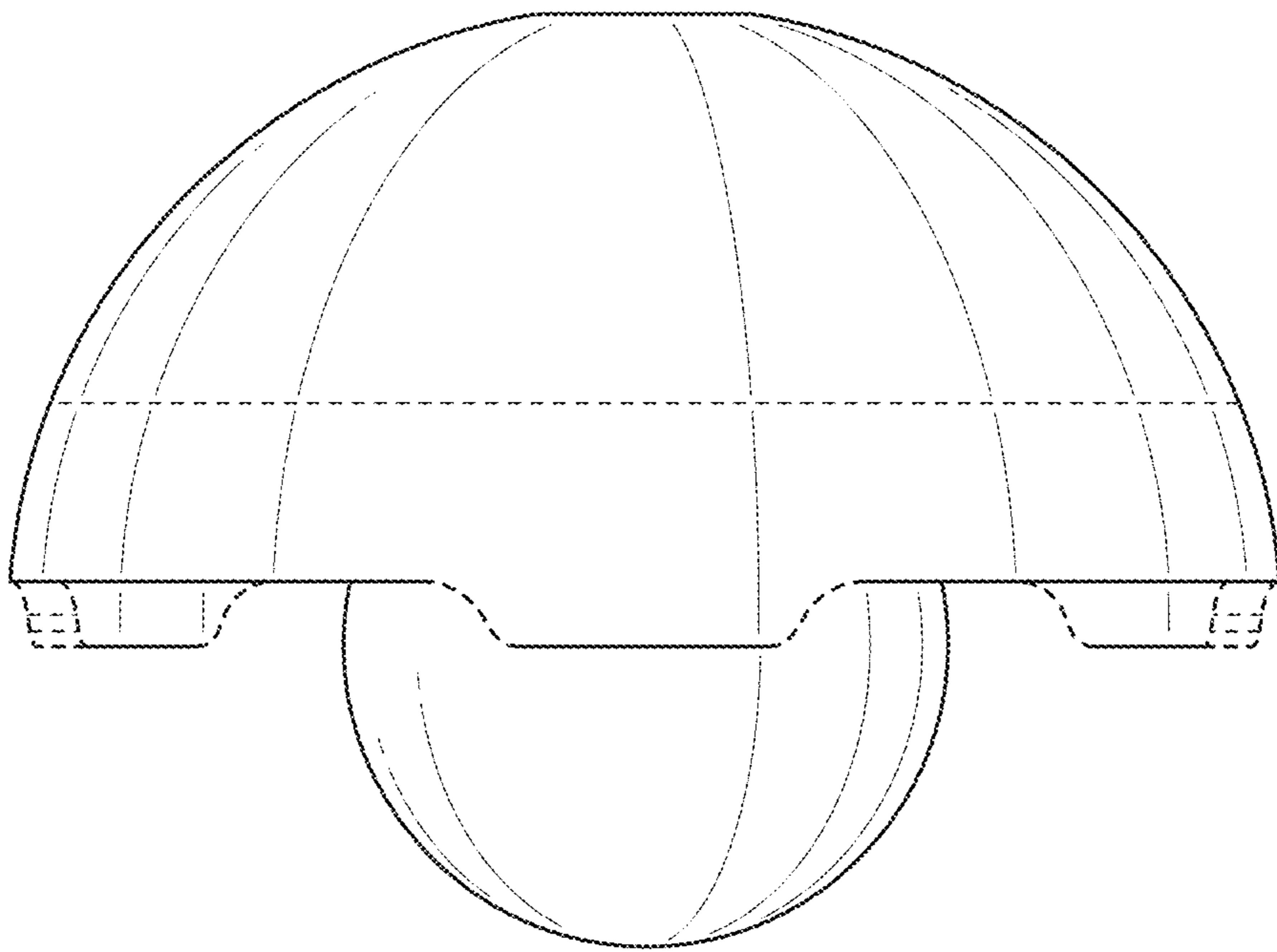


FIG. 3

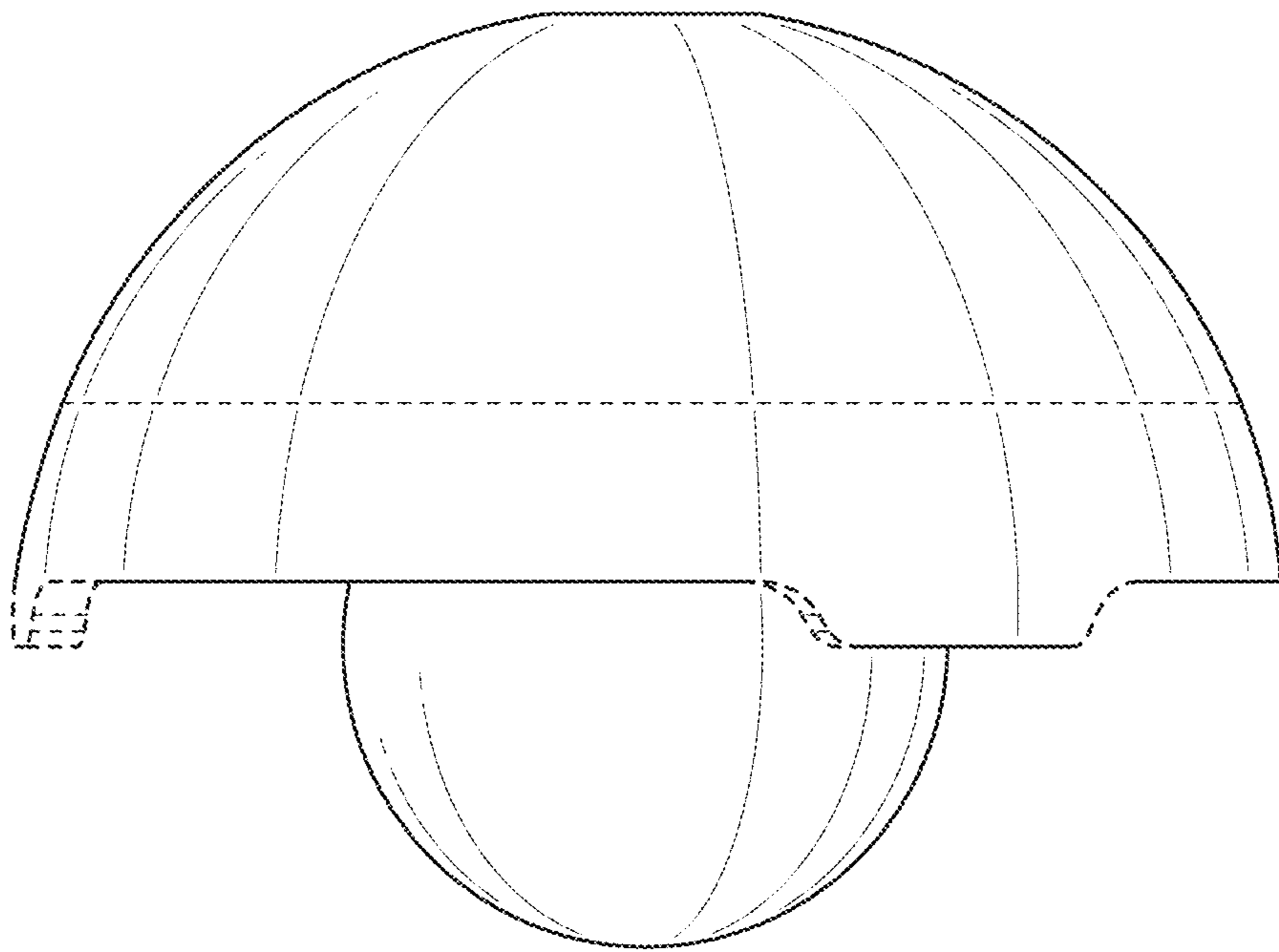


FIG. 4

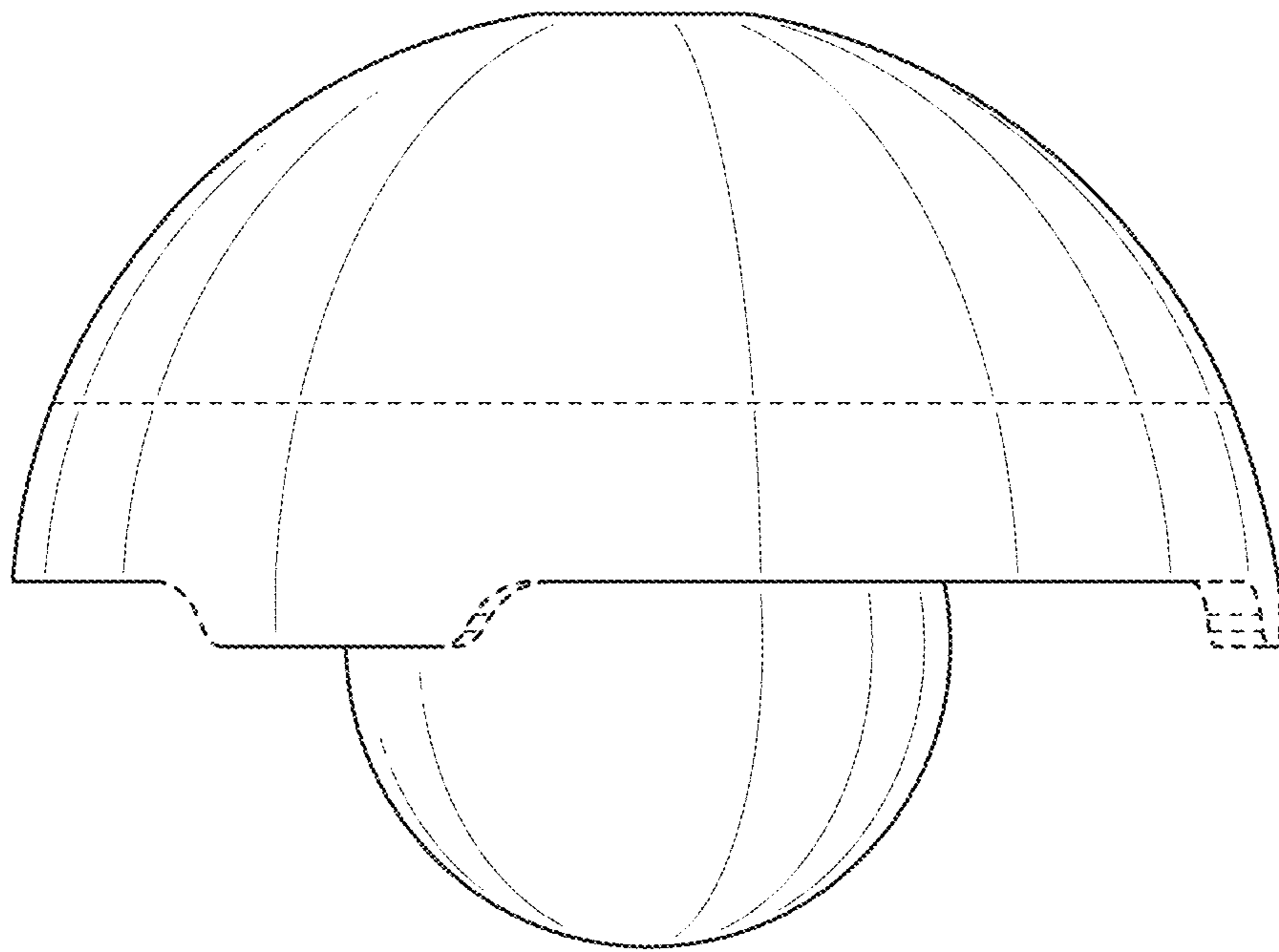


FIG. 5



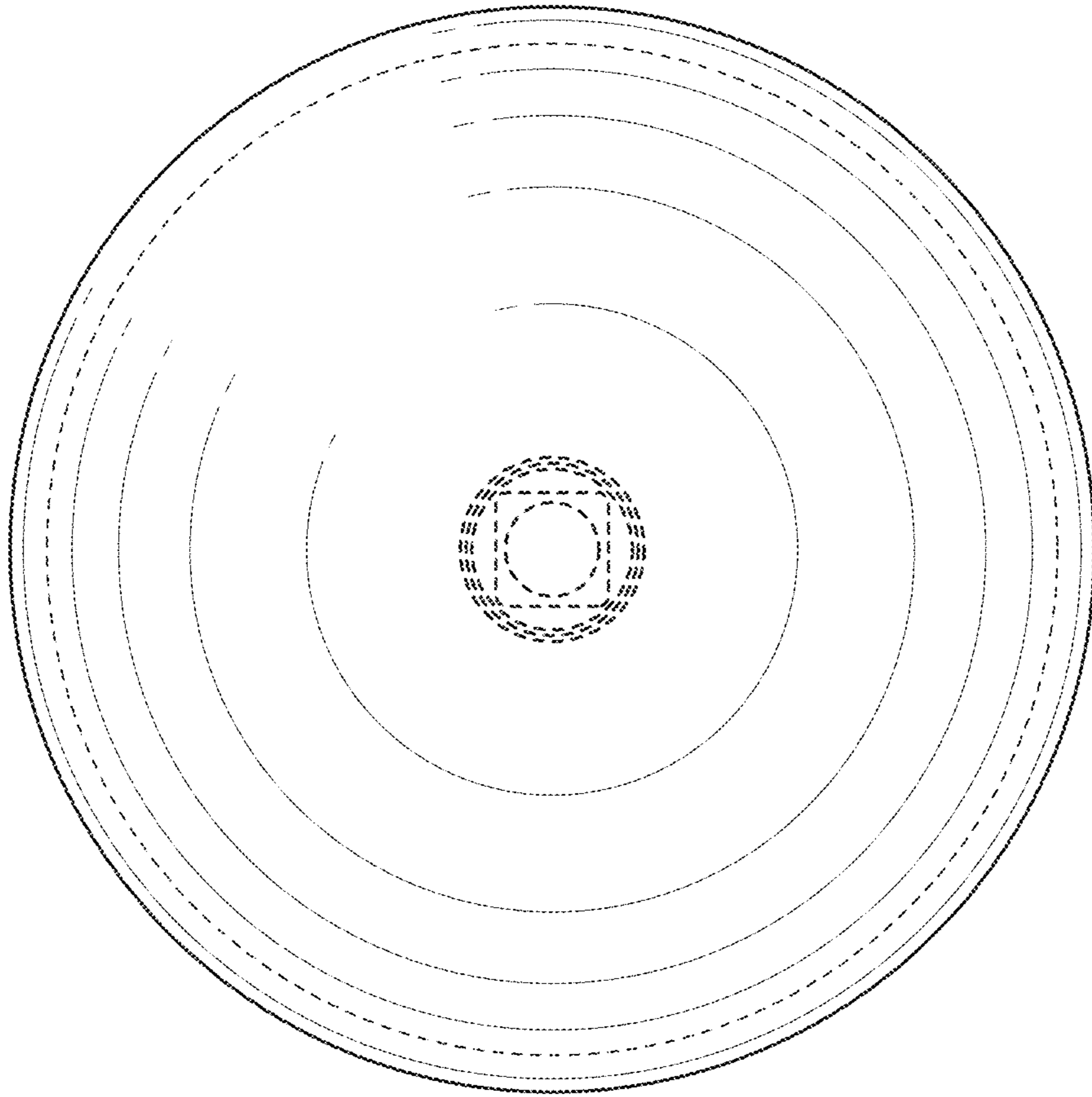


FIG. 6



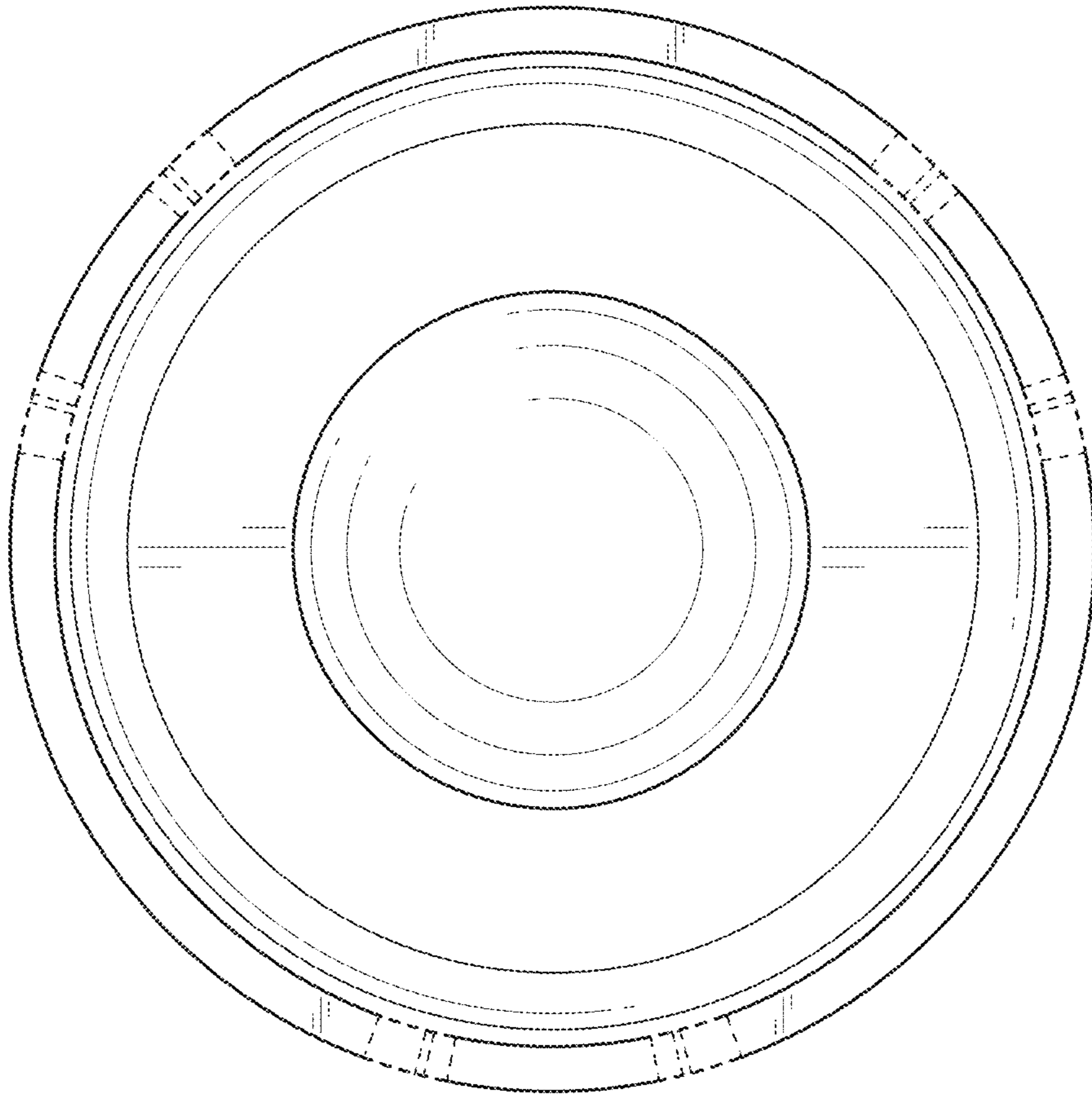


FIG. 7