



US00D952845S

(12) **United States Design Patent**
Herbst

(10) **Patent No.:** **US D952,845 S**

(45) **Date of Patent:** **** May 24, 2022**

(54) **NASAL DILATOR**

(71) Applicant: **Martin Herbst, Lofer (AT)**

(72) Inventor: **Martin Herbst, Lofer (AT)**

(**) Term: **15 Years**

(21) Appl. No.: **29/749,749**

(22) Filed: **Sep. 9, 2020**

(51) **LOC (13) Cl.** **24-02**

(52) **U.S. Cl.**
USPC **D24/135**

(58) **Field of Classification Search**
USPC D24/135, 133, 143
CPC . A61F 5/08; A61F 5/56; A61M 29/02; A61M
29/00; A62B 23/06
See application file for complete search history.

(56) **References Cited**

U.S. PATENT DOCUMENTS

2,274,997	A *	3/1942	Thurman	A61F 5/08 128/858
2,433,565	A *	12/1947	Korman	A62B 23/06 128/204.12
D407,818	S *	4/1999	Mariant	D24/143
5,895,409	A *	4/1999	Mehdizadeh	A61F 5/08 606/199
D430,667	S *	9/2000	Rome	D24/135
D713,031	S *	9/2014	McCormick	D24/135
D737,965	S *	9/2015	Bende	D24/135
D738,497	S *	9/2015	Jackson	D24/135
D760,373	S *	6/2016	Bucha	D24/106
D789,541	S *	6/2017	Brunst	D24/162
2003/0106556	A1 *	6/2003	Alperovich	A62B 23/06 128/206.11
2004/0147954	A1 *	7/2004	Wood	A61M 29/00 606/199
2009/0093840	A1 *	4/2009	MacDonald	A61F 5/08 606/199

2010/0331777	A1 *	12/2010	Danielsson	A62B 23/06 604/104
2014/0326244	A1	11/2014	Orts Paya et al.		
2015/0190268	A1 *	7/2015	Creps	A61F 5/08 606/199

FOREIGN PATENT DOCUMENTS

CN	306364219	*	3/2021
DE	202008010203	U1	10/2008
EM	001723792-0001	*	5/2015
EM	008163711-0001	*	9/2020
GB	6063670	*	6/2019

(Continued)

OTHER PUBLICATIONS

ComezyAnti Snoring Devices, Date Available Dec. 24, 2018, [online], [retrieved on Dec. 15, 2021]. Retrieved from Internet ,<URL: https://www.amazon.com/Comezy-Anti-Snoring-Devices-Dilators%EF%BC%8CEase/dp/B07NMTQM8M/ref=sr_1_8?keywords=nasal+dilator&qid=1639622295&sr=8-8>.*

(Continued)

Primary Examiner — Bridget L Eland

(74) *Attorney, Agent, or Firm* — Middleton Reutlinger

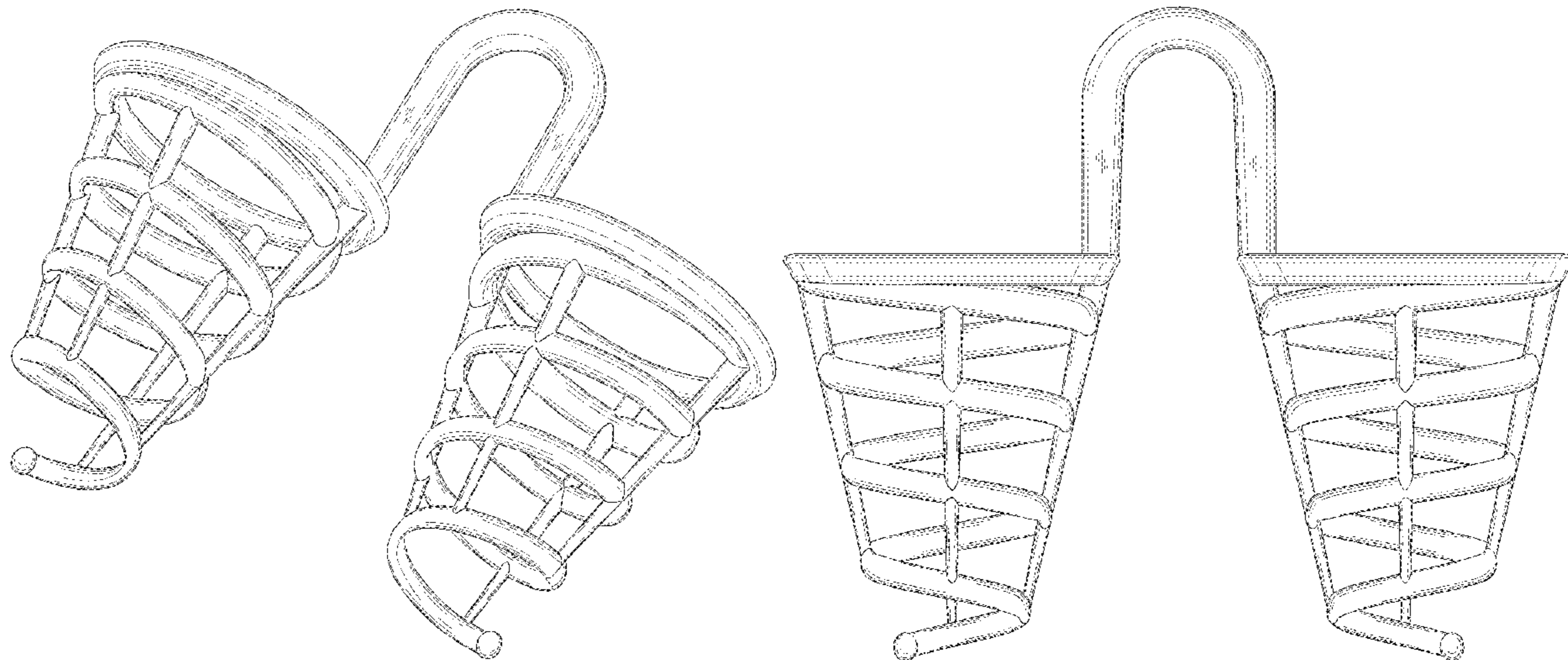
(57) **CLAIM**

The ornamental design for nasal dilator, as shown and described.

DESCRIPTION

FIG. 1 is a perspective view of a nasal dilator, showing my new design;
FIG. 2 a front view of the nasal dilator of FIG. 1;
FIG. 3 is a rear view of the nasal dilator of FIG. 1;
FIG. 4 is a first side view of the nasal dilator of FIG. 1;
FIG. 5 is a second side view of the nasal dilator of FIG. 1;
FIG. 6 is a top view of the nasal dilator of FIG. 1; and,
FIG. 7 is a bottom view of the nasal dilator of FIG. 1.

1 Claim, 7 Drawing Sheets



(56)

References Cited

FOREIGN PATENT DOCUMENTS

GB	9008163711-0001	*	9/2020
KR	200474564	Y1	9/2014
WO	2014009985	A1	1/2014

OTHER PUBLICATIONS

Premium Nose Relief Nasal Dilator, Date Available Oct. 4, 2019, [online], [retrieved on Dec. 15, 2021]. Retrieved from Internet, <URL: https://www.amazon.com/Breathing-Relief-Nasal-Dilator-Breathers/dp/B07WNSPRNP/ref=sr_1_27?keywords=nasal+dilator&qid=1639622295&sr=8-27>.*

Anti Snoring Nose Vents, Date Available Dec. 17, 2016, [online], [retrieved on Dec. 15, 2021]. Retrieved from Internet, <URL: https://www.amazon.com/Anti-Snoring-Nose-Vent-Snore-Bastion/dp/B01MSWZW0U/ref=sr_1_30?keywords=nasal+dilator&qid=1639622295&sr=8-30>.*

Chinese Application No. 202030531582.2 filed Sep. 9, 2020 titled Nasal Dilator.

European Design Application No. 008163711 filed Sep. 9, 2020.

* cited by examiner

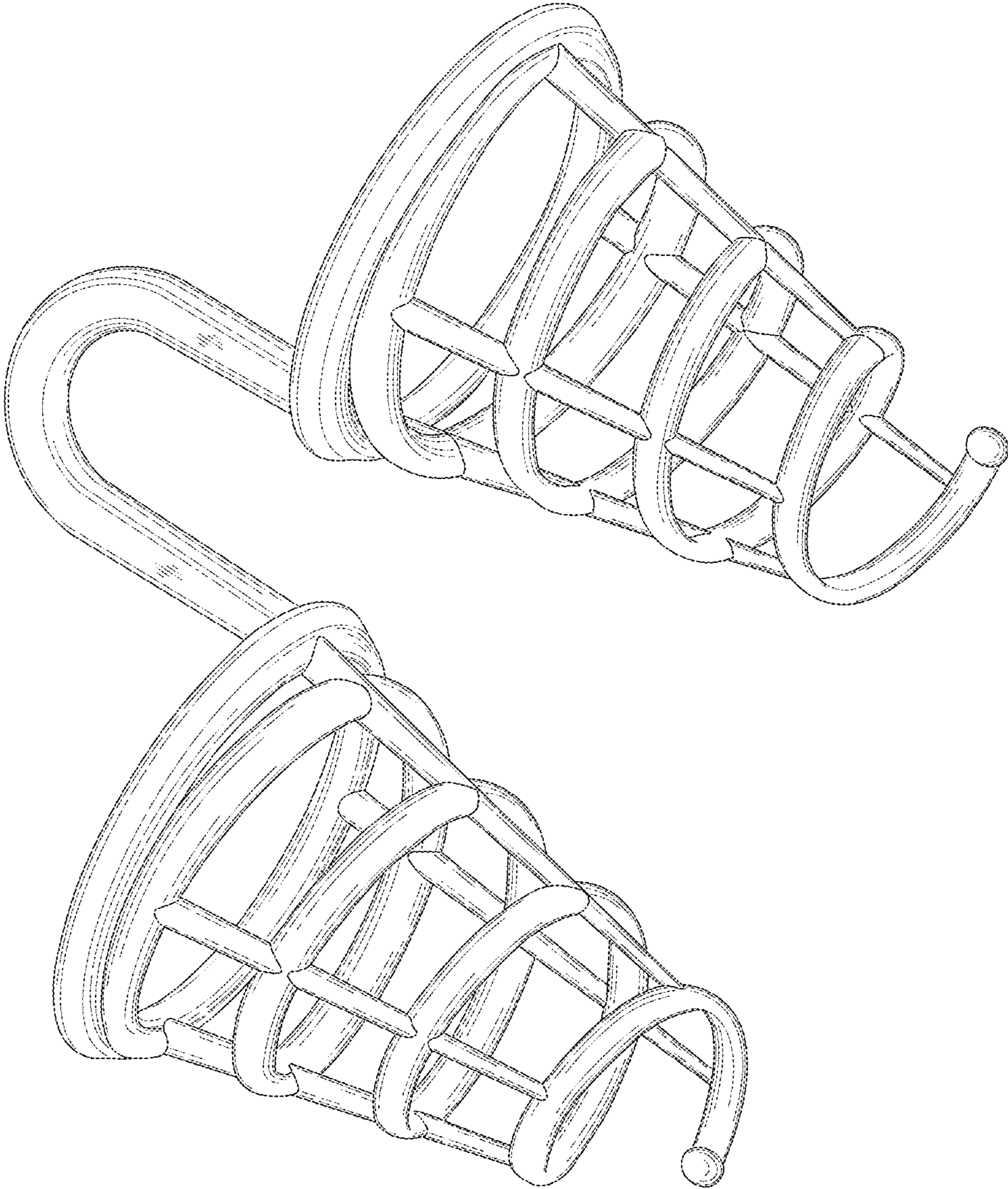


FIG.1

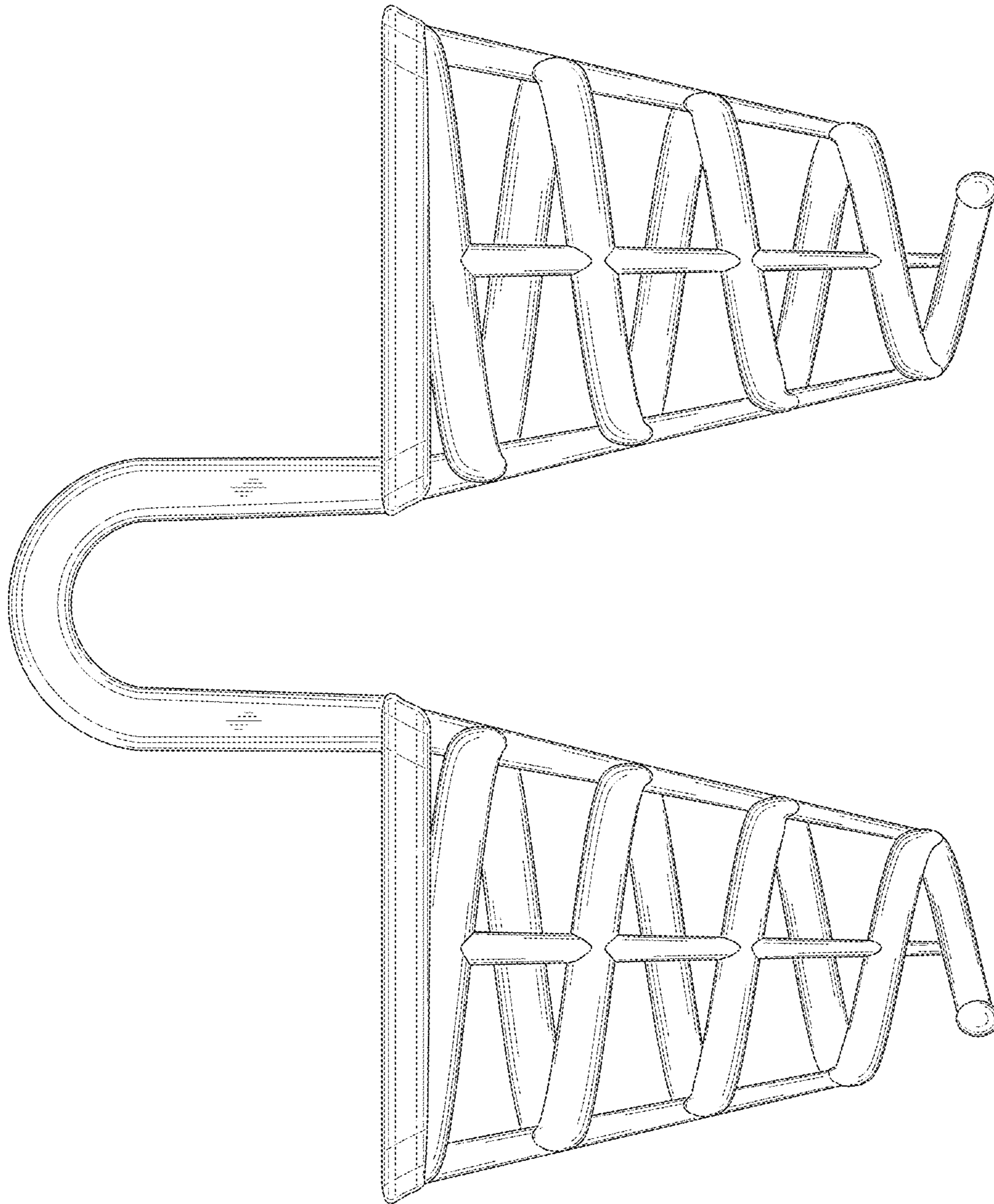


FIG.2

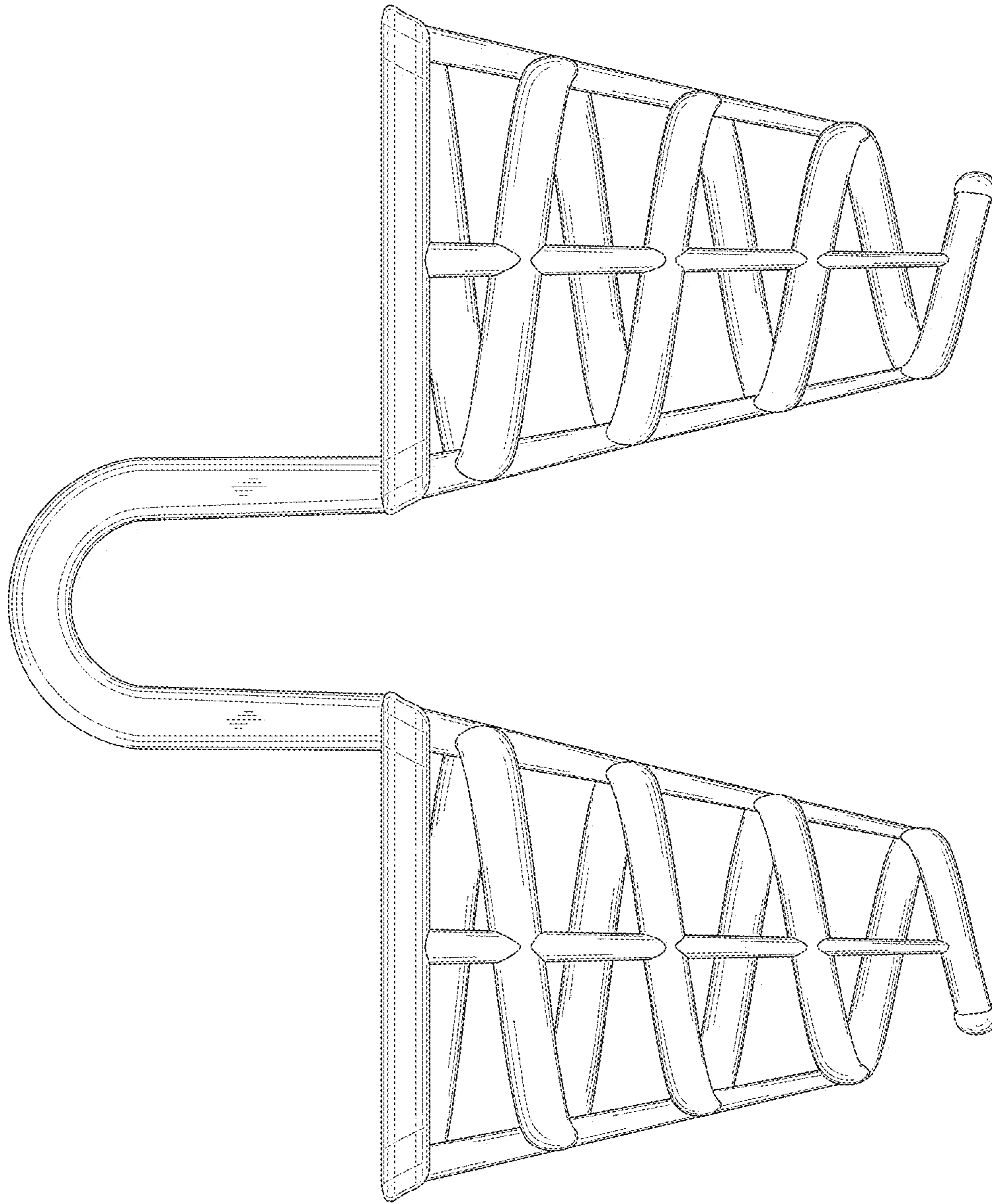


FIG. 3

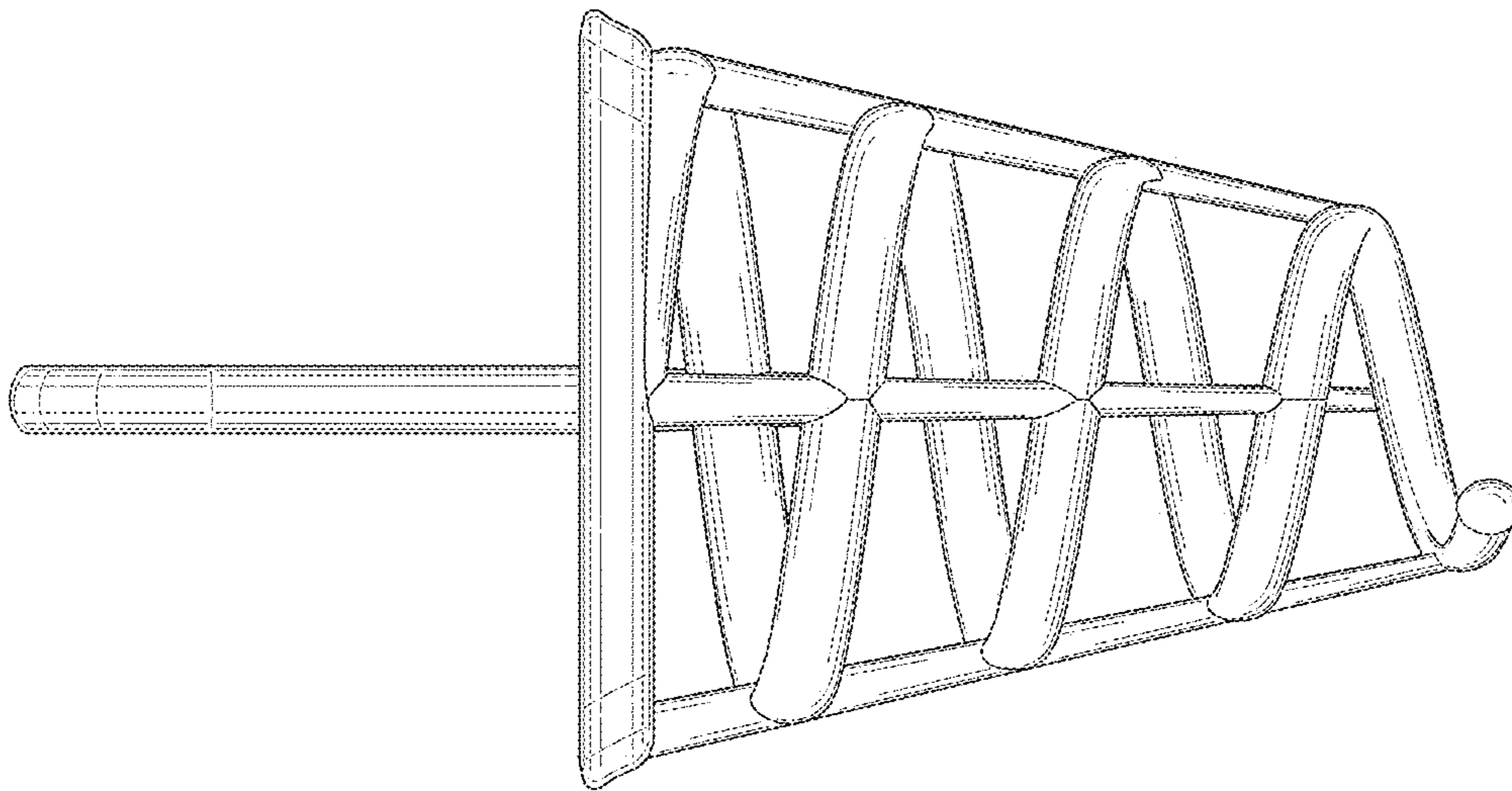


FIG.4

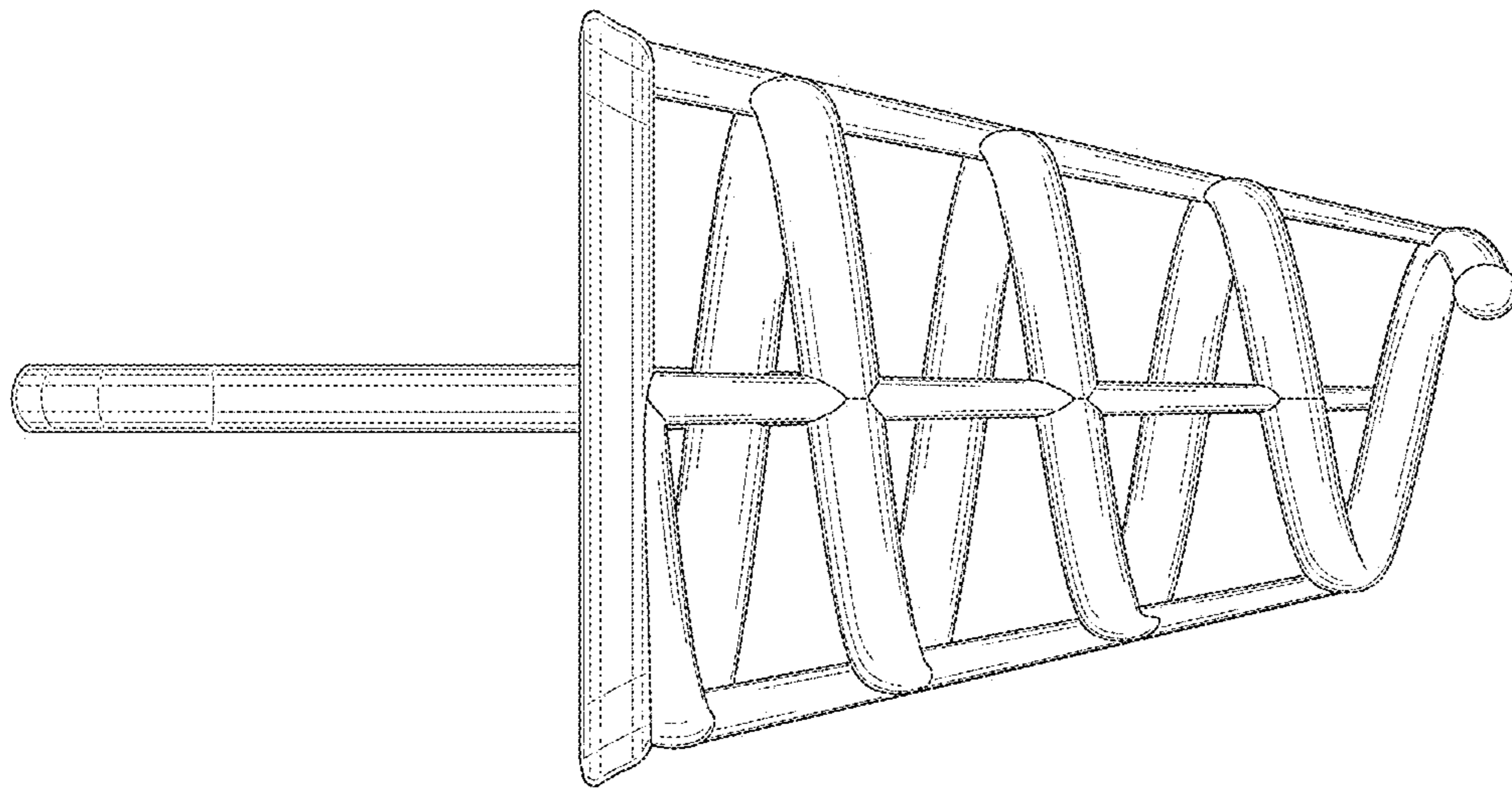


FIG.5

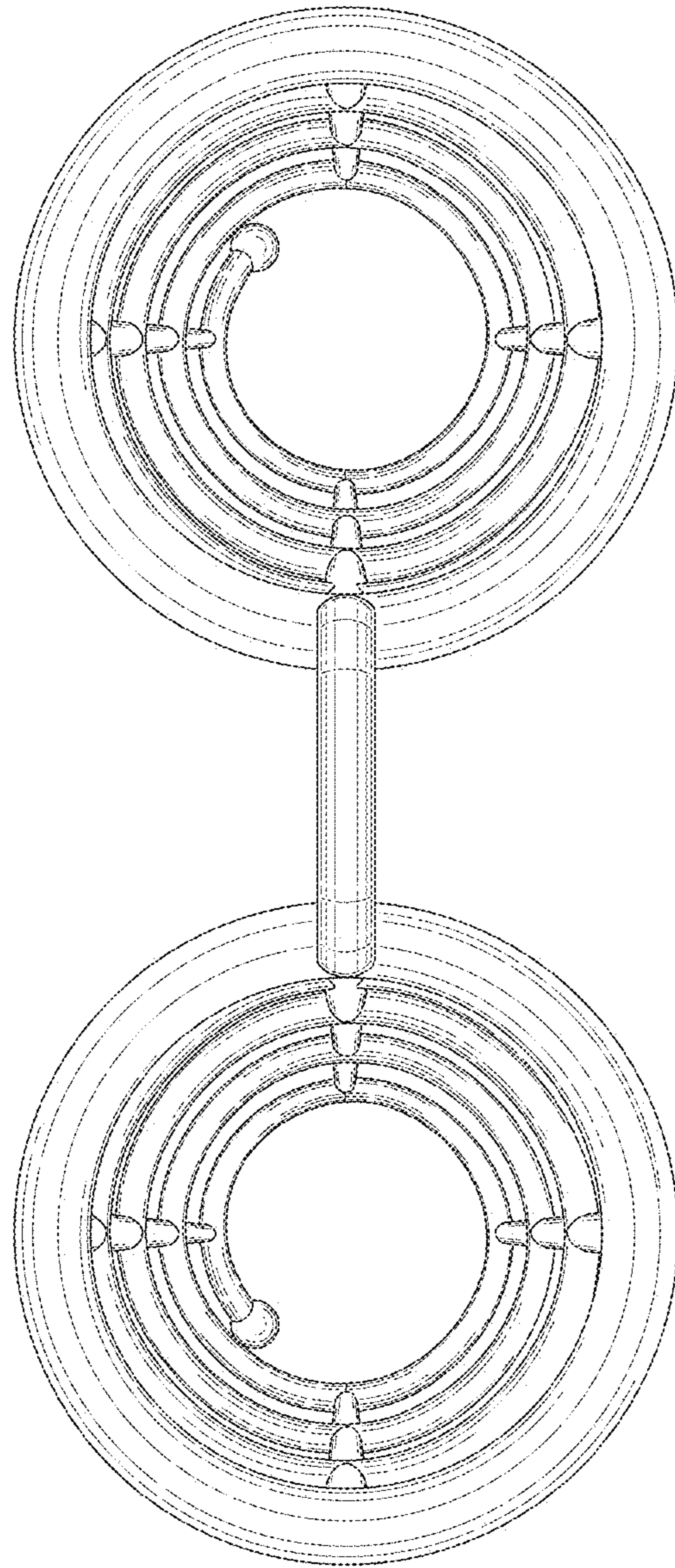


FIG.6

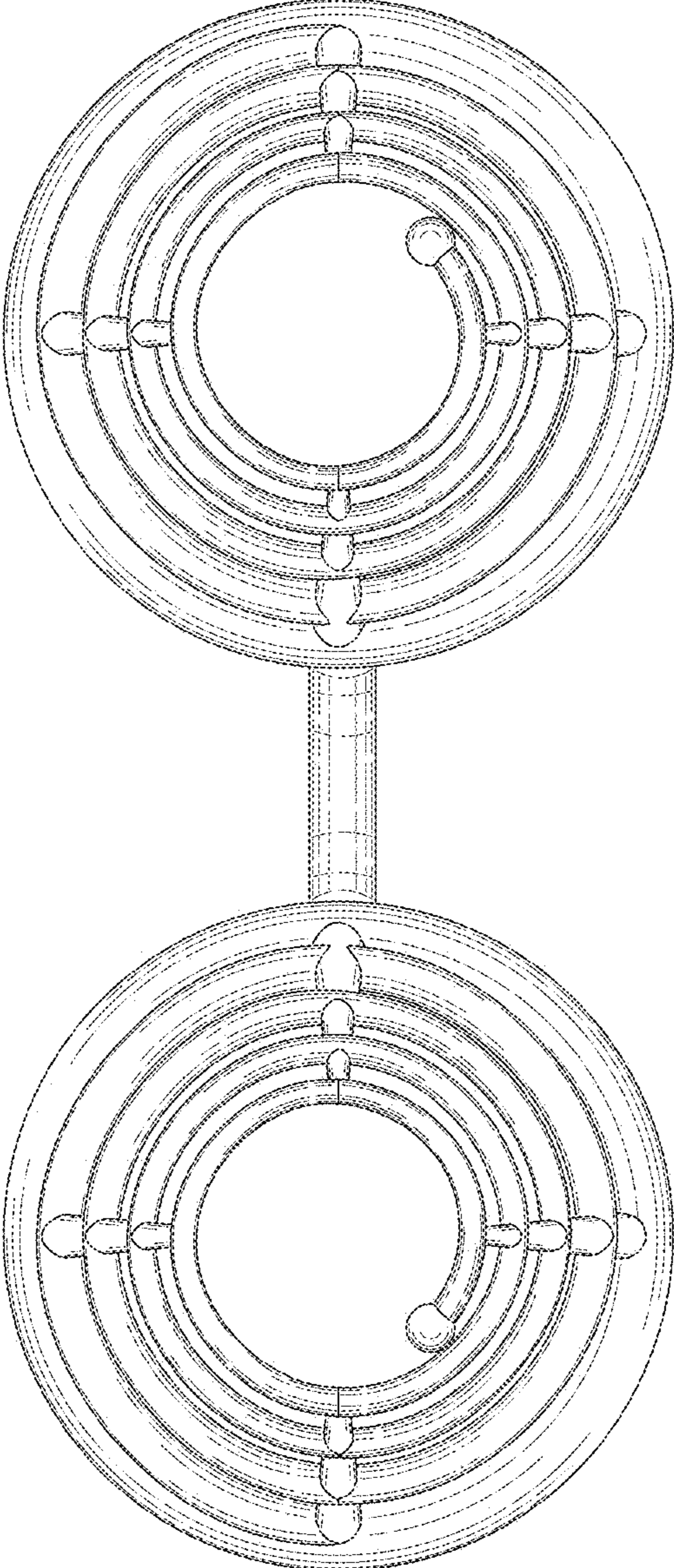


FIG.7