



US00D952844S

(12) **United States Design Patent**
Holzer et al.

(10) **Patent No.:** **US D952,844 S**

(45) **Date of Patent:** **** *May 24, 2022**

(54) **HANDLE FOR MEDICAL INSTRUMENTS**

(71) Applicant: **KARL STORZ SE & Co. KG,**
Tuttlingen (DE)

(72) Inventors: **Judith Holzer,** Tuttlingen (DE); **Daniel Notheis,** Tuttlingen (DE)

(73) Assignee: **KARL STORZ SE & CO. KG,**
Tuttlingen (DE)

(*) Notice: This patent is subject to a terminal disclaimer.

(**) Term: **15 Years**

(21) Appl. No.: **29/744,623**

(22) Filed: **Jul. 30, 2020**

(30) **Foreign Application Priority Data**

Jan. 31, 2020 (EM) 007574835-0002

(51) **LOC (13) Cl.** **24-02**

(52) **U.S. Cl.**
USPC **D24/133**

(58) **Field of Classification Search**
USPC D24/119, 133, 137, 138, 151, 146, 147,
D24/152, 108, 111, 112, 113, 117, 118,
D24/127, 130, 135, 141, 143, 144, 148,
D24/153, 154, 170, 176, 179, 216, 222
CPC A61B 1/00; A61B 1/00137; A61B 1/005;
A61B 1/0014; A61B 1/0676; A61B
1/0669; A61B 1/00121; A61B 1/00133;
A61B 1/00071; A61B 1/00064; A61B
1/00068; A61B 1/00112; A61B 1/0125;
A61B 17/3478

See application file for complete search history.

(56) **References Cited**

U.S. PATENT DOCUMENTS

D343,000 S * 1/1994 Olson D24/143
D347,474 S * 5/1994 Olson D24/145

D348,930 S * 7/1994 Olson D24/145
D349,341 S * 8/1994 Lichtman D24/143
5,342,391 A * 8/1994 Foshee A61B 17/29
606/205
D350,606 S * 9/1994 Koros D24/143
5,356,408 A * 10/1994 Rydell A61B 18/1445
606/48
D354,563 S * 1/1995 Holmes D24/143
D354,564 S * 1/1995 Medema D24/145
D357,980 S * 5/1995 Ek D24/143
D362,908 S * 10/1995 Shutt D24/143

(Continued)

FOREIGN PATENT DOCUMENTS

IN 252185-0001 * 12/2013

OTHER PUBLICATIONS

Laparoscopic Scissors,[site visited Sep. 11, 2021]. Available from Internet. URL: <https://www.medicalexpo.com/prod/applied-medical/product-74928-457872.html> (Year: 2021).*

Primary Examiner — T Chase Nelson

Assistant Examiner — Kelly L Gross

(74) *Attorney, Agent, or Firm* — Eversheds Sutherland (US) LLP

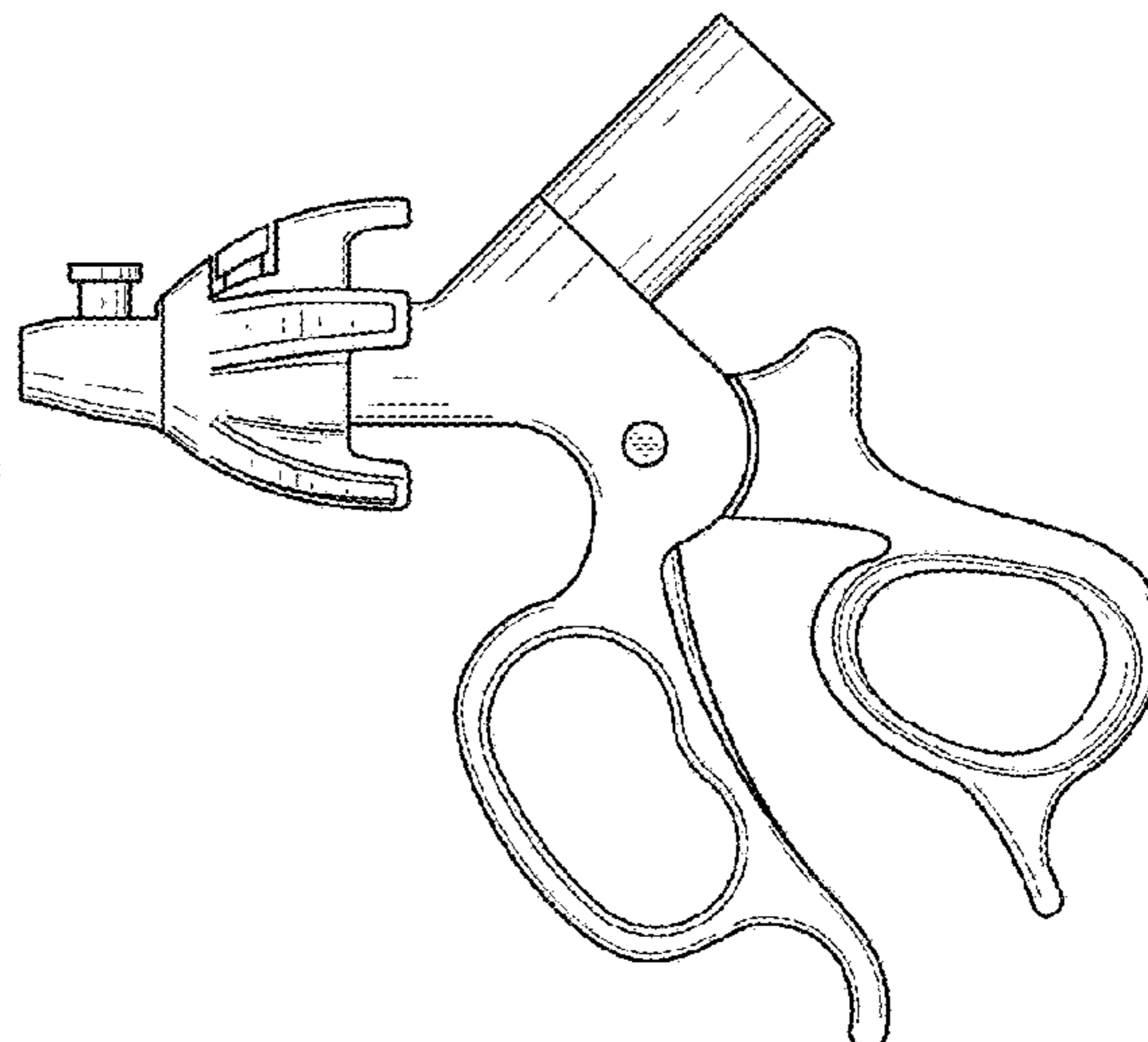
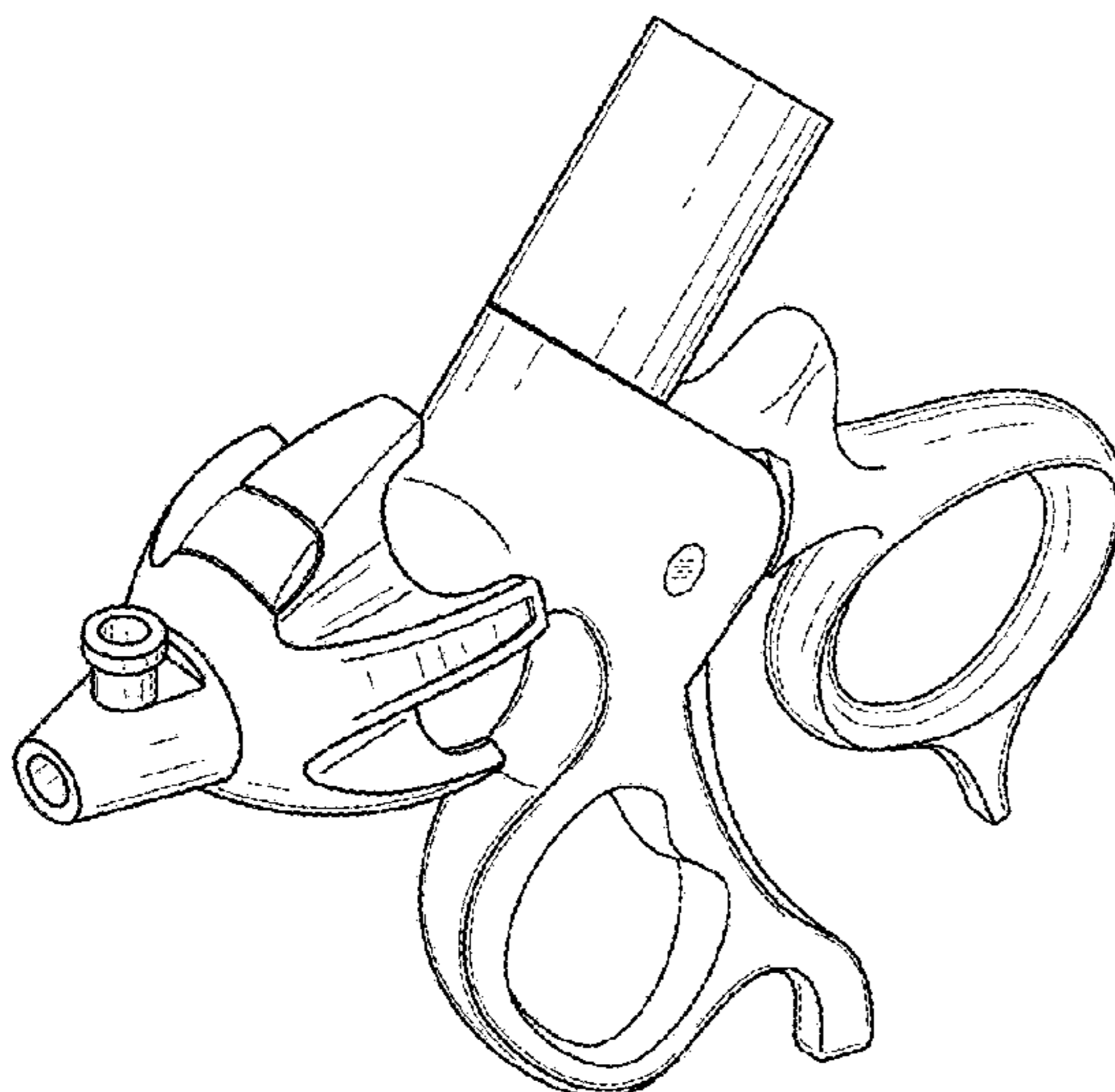
(57) **CLAIM**

The ornamental design for a handle for medical instruments, as shown and described.

DESCRIPTION

FIG. 1 is a perspective view of a handle for medical instruments showing our new design;
FIG. 2 is a front view thereof;
FIG. 3 is a rear view thereof;
FIG. 4 is a left side view thereof;
FIG. 5 is a right view thereof;
FIG. 6 is a top view thereof; and,
FIG. 7 is a bottom view thereof.

1 Claim, 7 Drawing Sheets



(56)

References Cited

U.S. PATENT DOCUMENTS

D370,064 S * 5/1996 Livneh D24/143
 D377,094 S * 12/1996 Foshee D24/143
 5,782,749 A * 7/1998 Riza A61B 17/2909
 6,139,563 A * 10/2000 Cosgrove, III A61B 17/122
 600/117
 6,340,365 B2 * 1/2002 Dittrich A61B 17/29
 606/205
 6,371,956 B1 * 4/2002 Wilson A61B 18/1445
 606/49
 D496,997 S * 10/2004 Dycus D24/144
 D498,300 S * 11/2004 Karl-Heinz D24/146
 D509,589 S * 9/2005 Wells D24/133
 D531,311 S * 10/2006 Guerra D24/146
 D535,027 S * 1/2007 James D24/144
 D535,398 S * 1/2007 Stammberger D24/133
 D541,416 S * 4/2007 Baehr D24/133
 D548,836 S * 8/2007 Lang D24/146
 D557,415 S * 12/2007 Bacher D24/133
 D562,450 S * 2/2008 Wehrstein D24/133
 D562,982 S * 2/2008 Sullivan D24/147
 D575,401 S * 8/2008 Hixson D24/144
 D583,941 S * 12/2008 Leroy D24/133
 D594,982 S * 6/2009 Stefan D24/133
 D605,761 S * 12/2009 Stefan D24/133
 D621,040 S * 8/2010 Held D24/133
 D621,503 S * 8/2010 Otten D24/133
 D621,939 S * 8/2010 Way D24/147
 D624,646 S * 9/2010 Peschke D24/133
 D625,008 S * 10/2010 Boedeker D24/143
 D630,322 S * 1/2011 Speiser D24/133
 D631,961 S * 2/2011 Held D24/133
 D631,965 S * 2/2011 Price D24/145
 D632,785 S * 2/2011 Risoli D24/133
 D632,786 S * 2/2011 Risoli D24/133
 D633,613 S * 3/2011 Risoli D24/133
 D635,671 S * 4/2011 Way D24/147
 D646,784 S * 10/2011 Solingen D24/147
 D650,074 S * 12/2011 Hunt D24/133
 D654,587 S * 2/2012 Bacher D24/133
 8,184,094 B2 * 5/2012 Rosenberg B25J 9/1689
 345/156
 D661,797 S * 6/2012 Besse D24/133
 D661,798 S * 6/2012 Besse D24/133
 D661,799 S * 6/2012 Besse D24/133
 D661,800 S * 6/2012 Besse D24/133
 D663,835 S * 7/2012 Besse D24/133
 D664,650 S * 7/2012 Besse D24/133
 D666,291 S * 8/2012 Baehr D24/133
 D666,714 S * 9/2012 Baehr D24/133
 D668,337 S * 10/2012 Schurg D24/144
 D670,378 S * 11/2012 Connell D24/133
 D670,379 S * 11/2012 D'Lima D24/133
 D670,380 S * 11/2012 Sapalev D24/133
 D674,897 S * 1/2013 Fisher D24/148
 D676,964 S * 2/2013 Way D24/147
 D679,010 S * 3/2013 Kitayama D24/133

D679,011 S * 3/2013 Kitayama D24/133
 D685,471 S * 7/2013 Merz D24/144
 D685,907 S * 7/2013 Park A61B 17/06061
 D24/133
 D692,560 S * 10/2013 Kaercher D24/133
 D693,466 S * 11/2013 Dallemagne D24/144
 D698,920 S * 2/2014 Strobel D24/133
 D700,699 S * 3/2014 O'Leary D24/146
 D700,967 S * 3/2014 O'Leary D24/146
 D708,742 S * 7/2014 Dallemagne D24/133
 D709,194 S * 7/2014 Miller D24/143
 D716,945 S * 11/2014 Miller D24/148
 D717,949 S * 11/2014 Peschke D24/133
 D722,379 S * 2/2015 Thouement D24/145
 D723,161 S * 2/2015 Goldstein D24/148
 D724,732 S * 3/2015 Kimball D24/144
 D731,648 S * 6/2015 Rencher D24/144
 D740,414 S * 10/2015 Katsura D24/133
 D743,547 S * 11/2015 Chang D24/146
 D744,099 S * 11/2015 Osada D24/145
 D744,100 S * 11/2015 Chang D24/146
 D748,259 S * 1/2016 Okihisa D24/144
 D748,260 S * 1/2016 Chang D24/146
 D750,244 S * 2/2016 Osada D24/145
 D750,245 S * 2/2016 Chang D24/148
 D759,815 S * 6/2016 Berci D24/137
 D759,818 S * 6/2016 Peterson D24/153
 D785,172 S * 4/2017 Li D24/138
 D791,316 S * 7/2017 Chang D24/138
 D796,042 S * 8/2017 Eubanks D24/148
 D796,674 S * 9/2017 Preis D24/143
 D796,675 S * 9/2017 Preis D24/143
 D796,676 S * 9/2017 Preis D24/143
 D799,038 S * 10/2017 Chang A61B 17/29
 D24/146
 D800,904 S * 10/2017 Leimbach D24/145
 D804,029 S * 11/2017 Blocher D24/148
 D806,873 S * 1/2018 Preis D24/143
 D825,056 S * 8/2018 Preis D24/137
 D847,990 S * 5/2019 Kimball D24/145
 D865,964 S * 11/2019 Miller D24/144
 D868,250 S * 11/2019 Eubanks D24/138
 10,729,885 B2 * 8/2020 Hinman A61B 17/29
 D895,112 S * 9/2020 Miller D24/144
 D920,510 S * 5/2021 Funakoshi D24/138
 D926,979 S * 8/2021 Funakoshi A61B 34/32
 D24/138
 D926,980 S * 8/2021 Koros B25J 9/1689
 D24/143
 2004/0225323 A1 * 11/2004 Nagase A61B 17/29
 606/205
 2006/0004406 A1 * 1/2006 Wehrstein A61B 17/28
 606/205
 2007/0299469 A1 * 12/2007 Carpenter A61B 17/2909
 606/205
 2009/0234355 A1 * 9/2009 Edwards A61B 18/1445
 606/51
 2018/0280100 A1 * 10/2018 Reinstein A61B 34/32

* cited by examiner

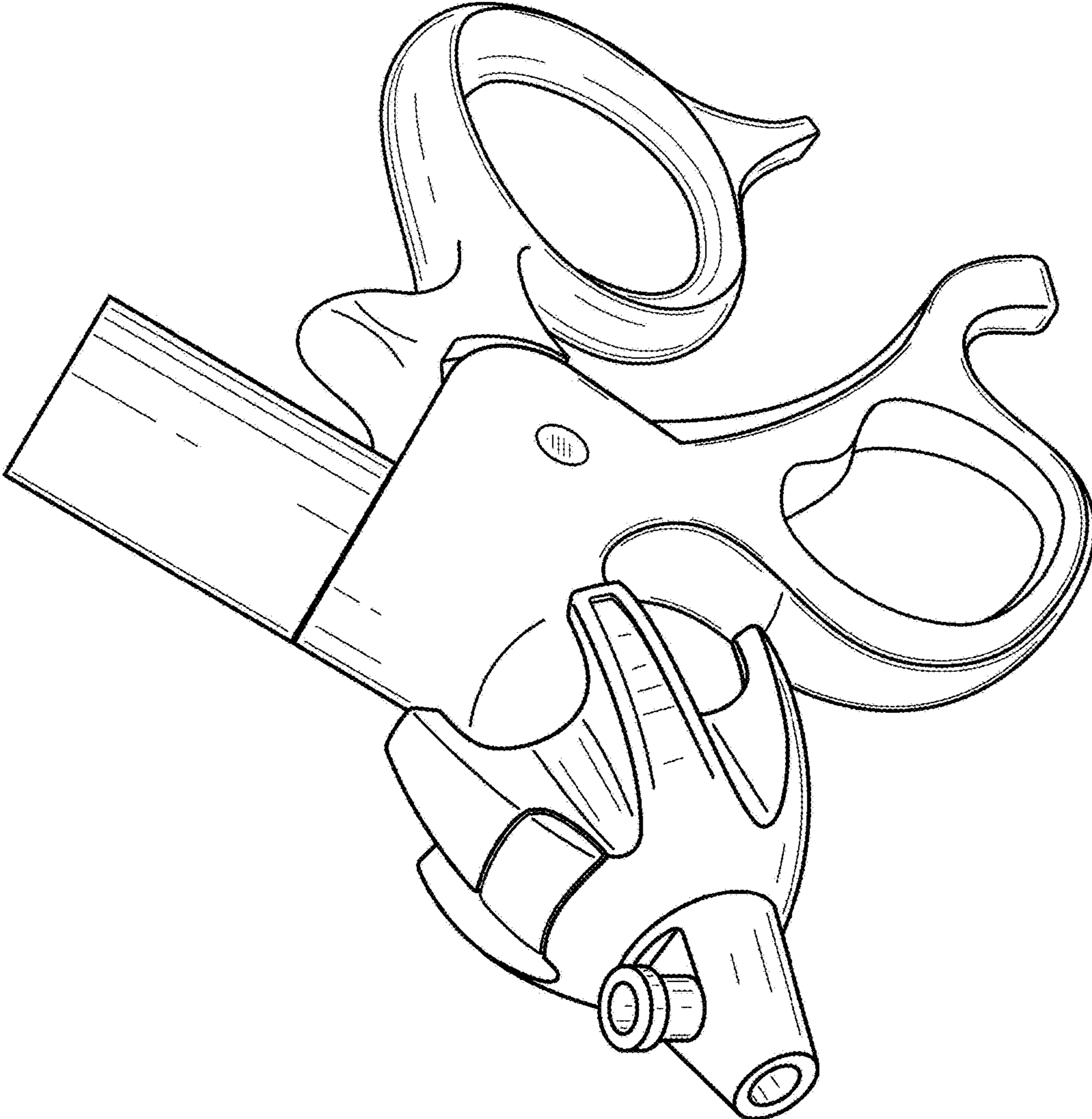


FIG. 1

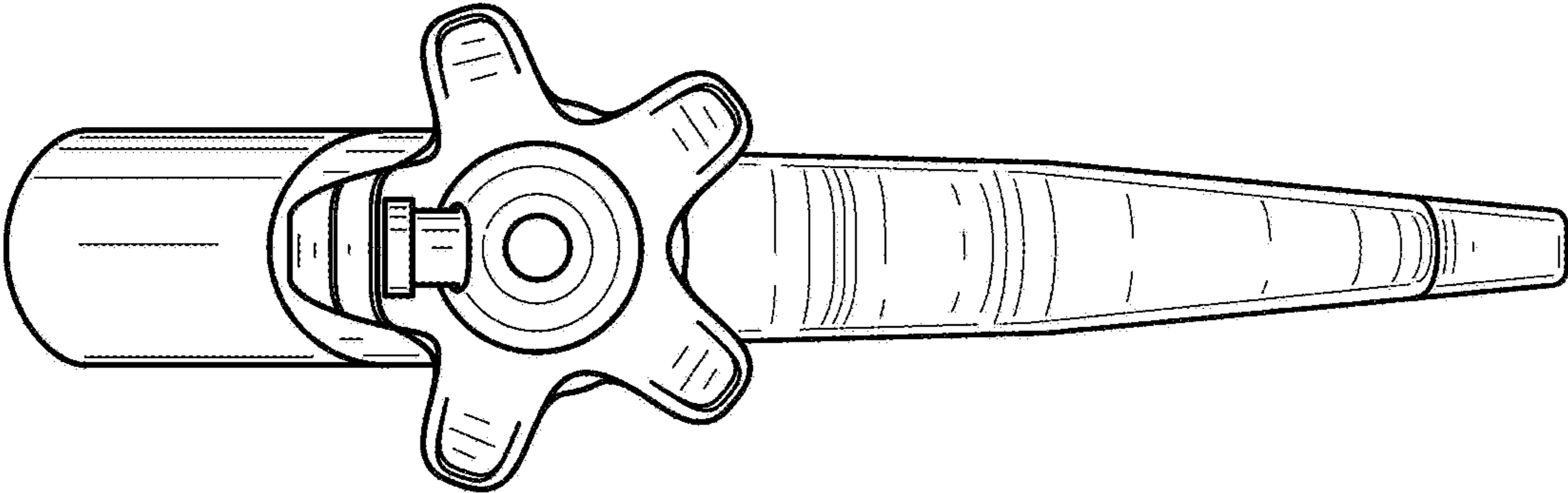


FIG. 2

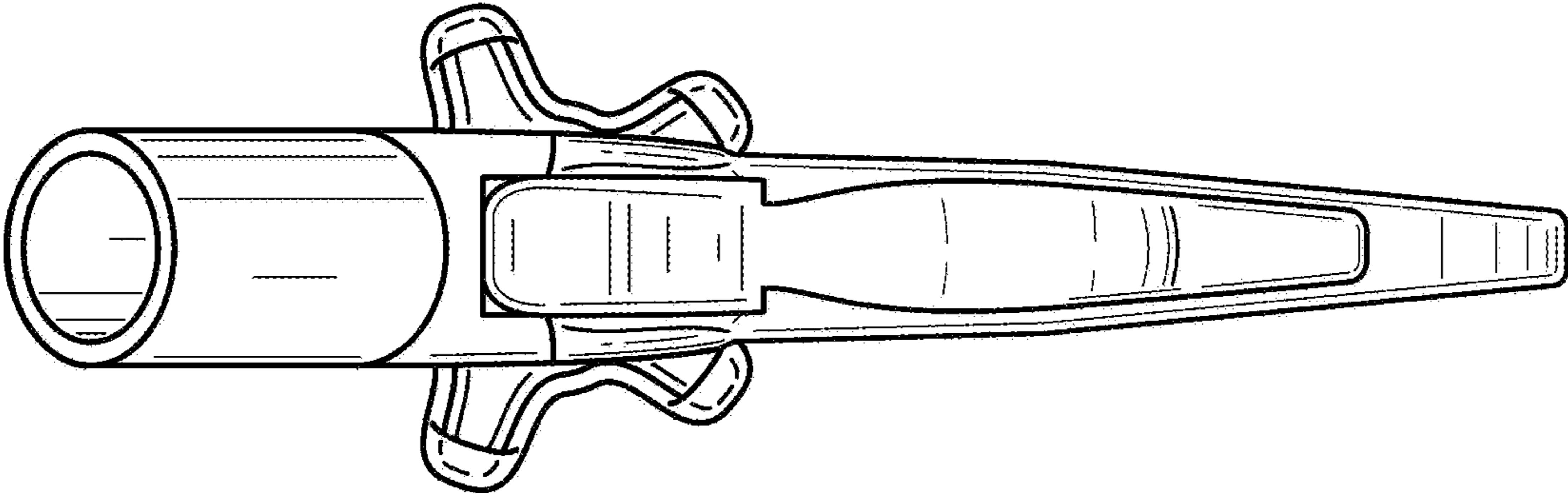


FIG. 3

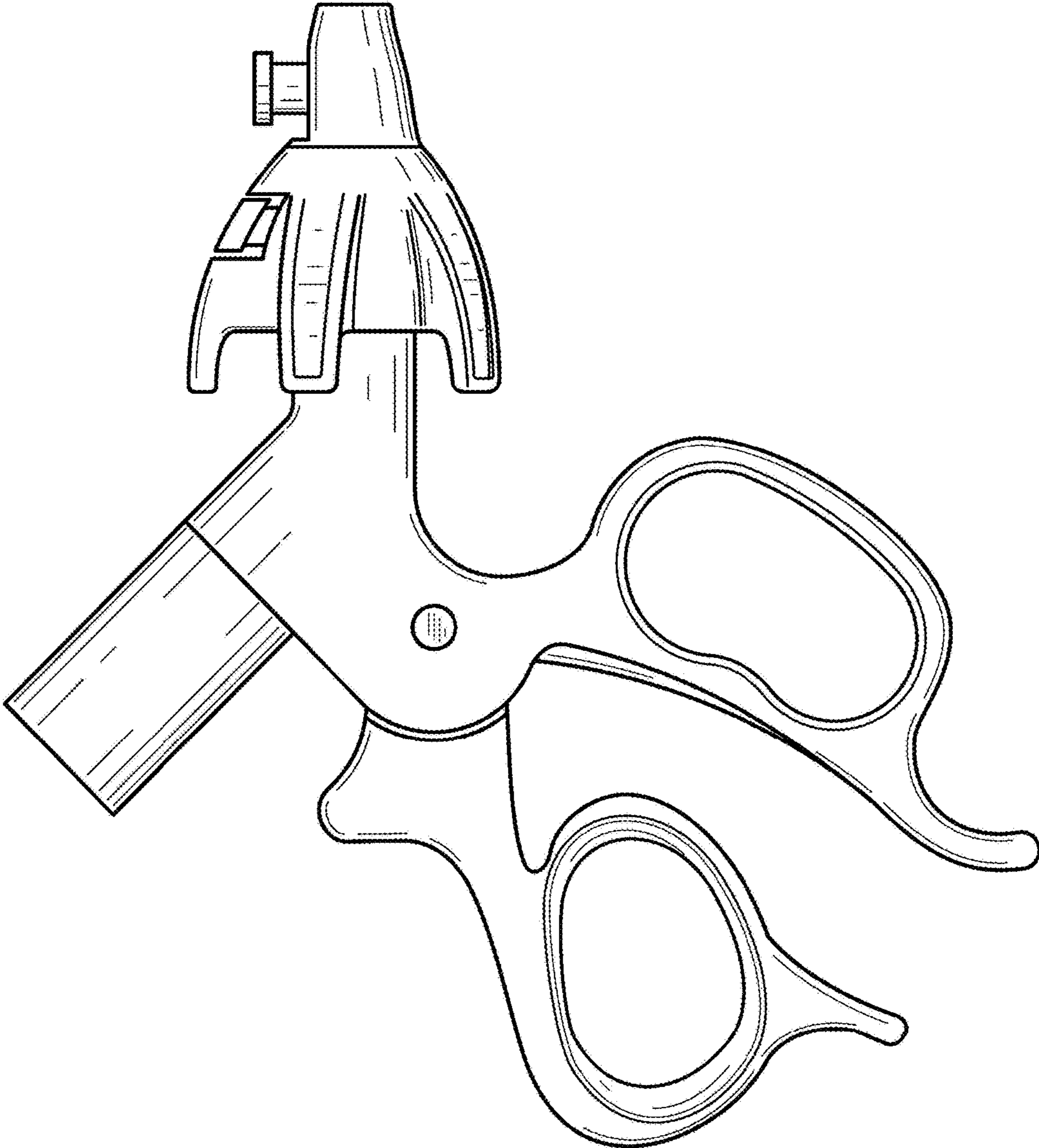


FIG. 4

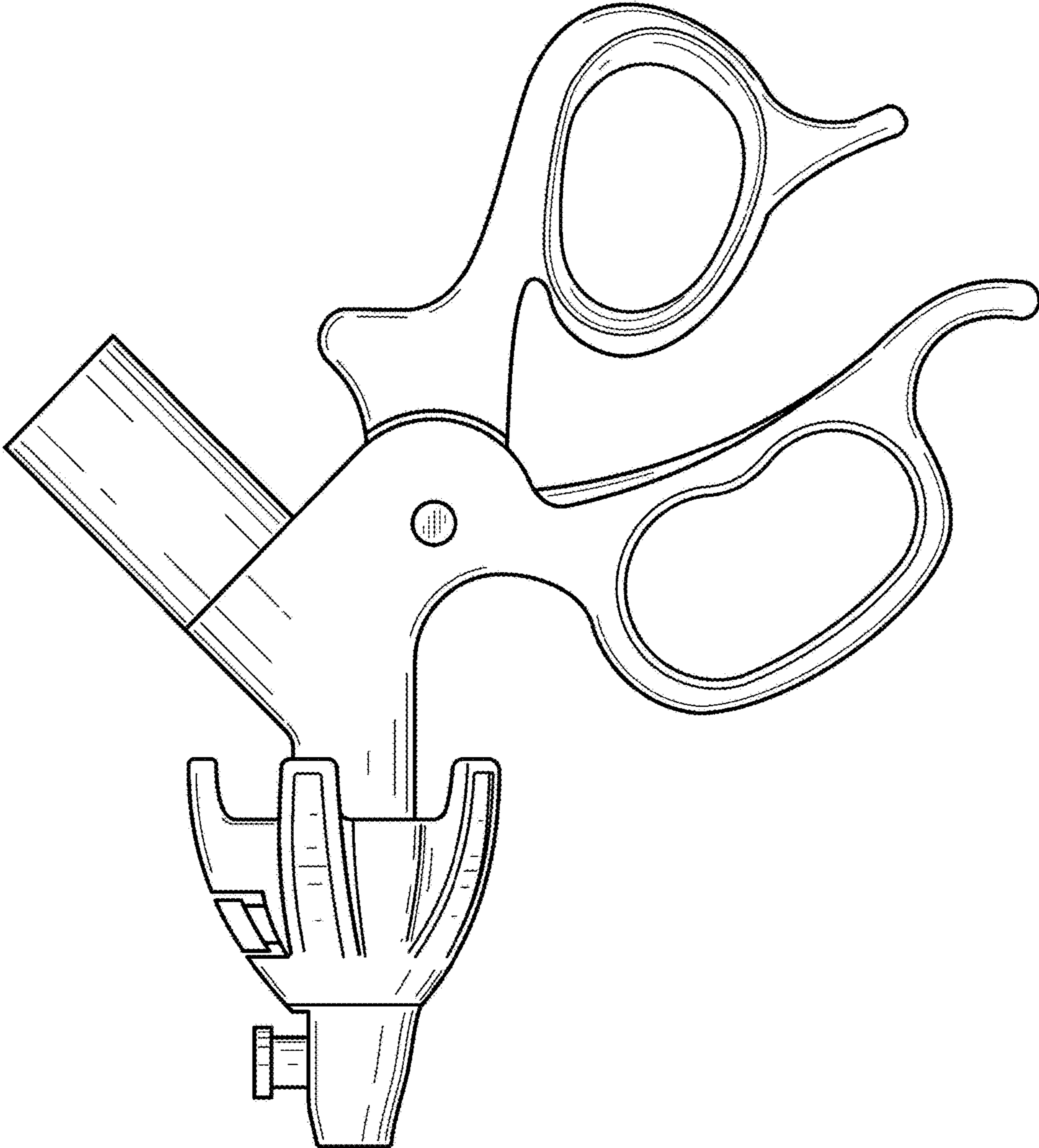


FIG. 5

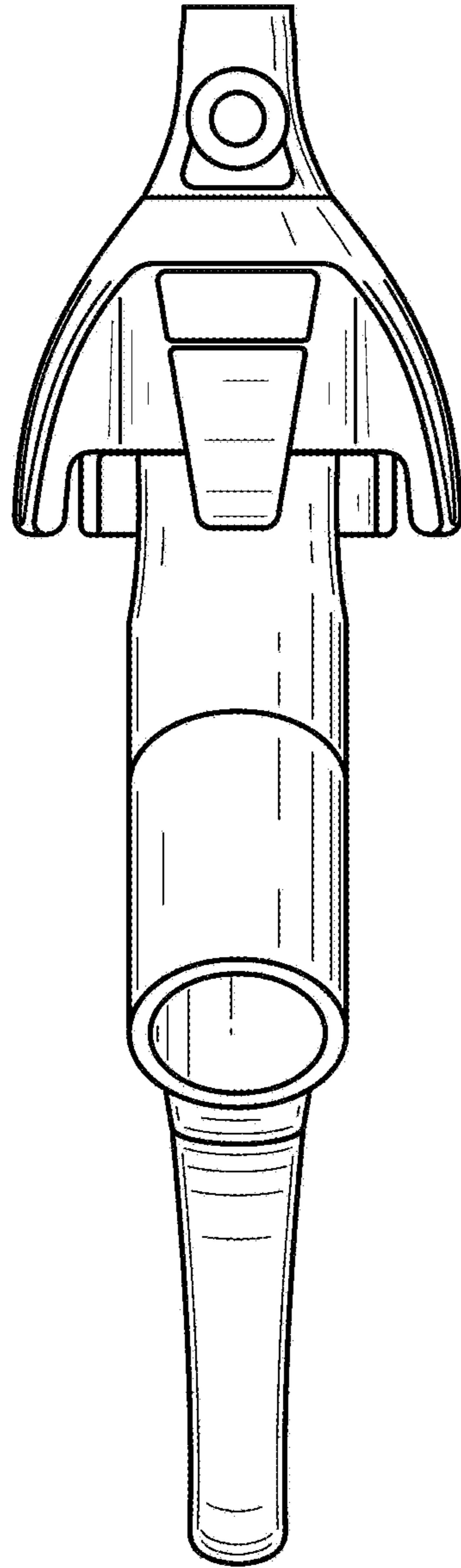


FIG. 6

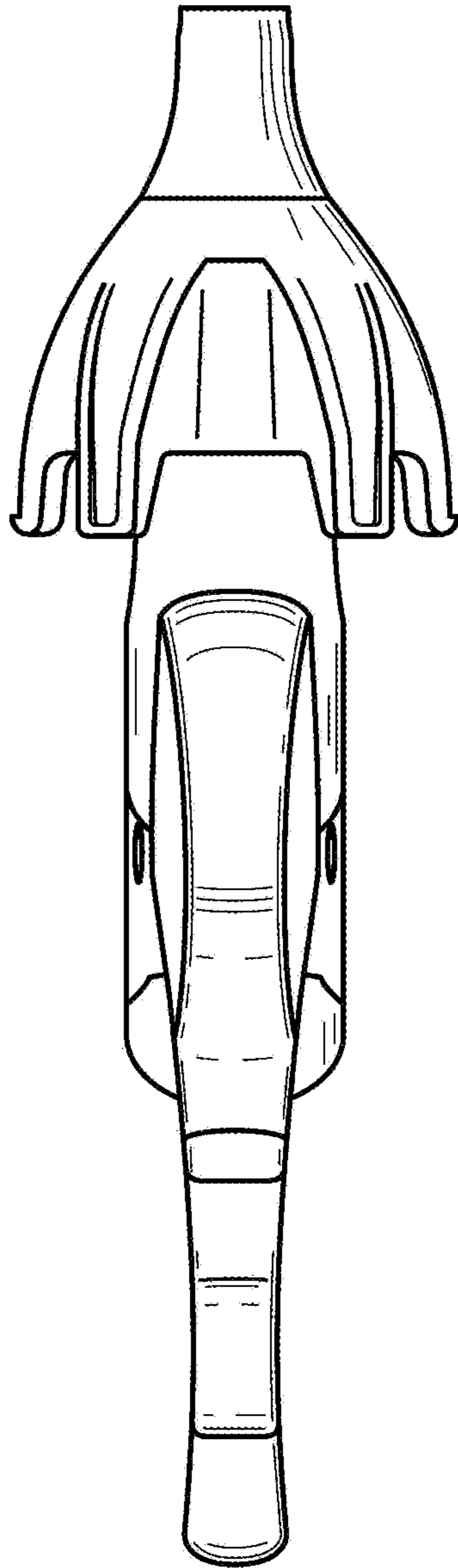


FIG. 7