



US00D952840S

(12) **United States Design Patent** (10) **Patent No.:** **US D952,840 S**
Ahmed et al. (45) **Date of Patent:** **** May 24, 2022**

(54) **MEDICAL INSTRUMENT**

(71) Applicant: **Keymed (Medical & Industrial Equipment) Ltd.**, Essex (GB)
(72) Inventors: **Jehanzeb Ahmed**, Essex (GB); **Nicholas MacMillan**, Essex (GB); **Tim Roberts**, Essex (GB); **Jordan Jowitt**, Essex (GB)
(73) Assignee: **Keymed (Medical & Industrial Equipment) Ltd.**, Southend-on-Sea (GB)

(**) Term: **15 Years**

(21) Appl. No.: **35/509,784**

(22) Filed: **Mar. 9, 2020**

(80) **Hague Agreement Data**

Int. Filing Date: **Mar. 9, 2020**
Int. Reg. No.: **DM/208994**
Int. Reg. Date: **Mar. 9, 2020**
Int. Reg. Pub. Date: **Jul. 10, 2020**

(30) **Foreign Application Priority Data**

Sep. 12, 2019 (GB) 6070817
Sep. 12, 2019 (GB) 6070818
Sep. 12, 2019 (GB) 6070821
Sep. 12, 2019 (GB) 6070822

(51) **LOC (13) Cl.** **24-02**

(52) **U.S. Cl.**
USPC **D24/129; D9/447; D9/449**

(58) **Field of Classification Search**
USPC D24/129; D9/447, 449, 450, 453, 454; D7/511
CPC A61B 1/00128; A61B 1/00137; A61M 3/0233

See application file for complete search history.

(56) **References Cited**

U.S. PATENT DOCUMENTS

D243,412 S * 2/1977 Krueger D24/164
D319,698 S * 9/1991 Arioka D24/117
5,151,094 A * 9/1992 Hanifl A61C 17/08
604/118
D340,111 S * 10/1993 Yoshikawa D24/112
D352,104 S * 11/1994 Clawson D23/358
5,437,654 A * 8/1995 McVay A61M 3/0233
222/189.06
5,782,383 A * 7/1998 Robinson A61J 1/1406
215/250
6,210,322 B1 * 4/2001 Byrne A61B 1/015
600/158

(Continued)

Primary Examiner — Calvin E Vansant
(74) *Attorney, Agent, or Firm* — Leydig, Voit & Mayer, Ltd.

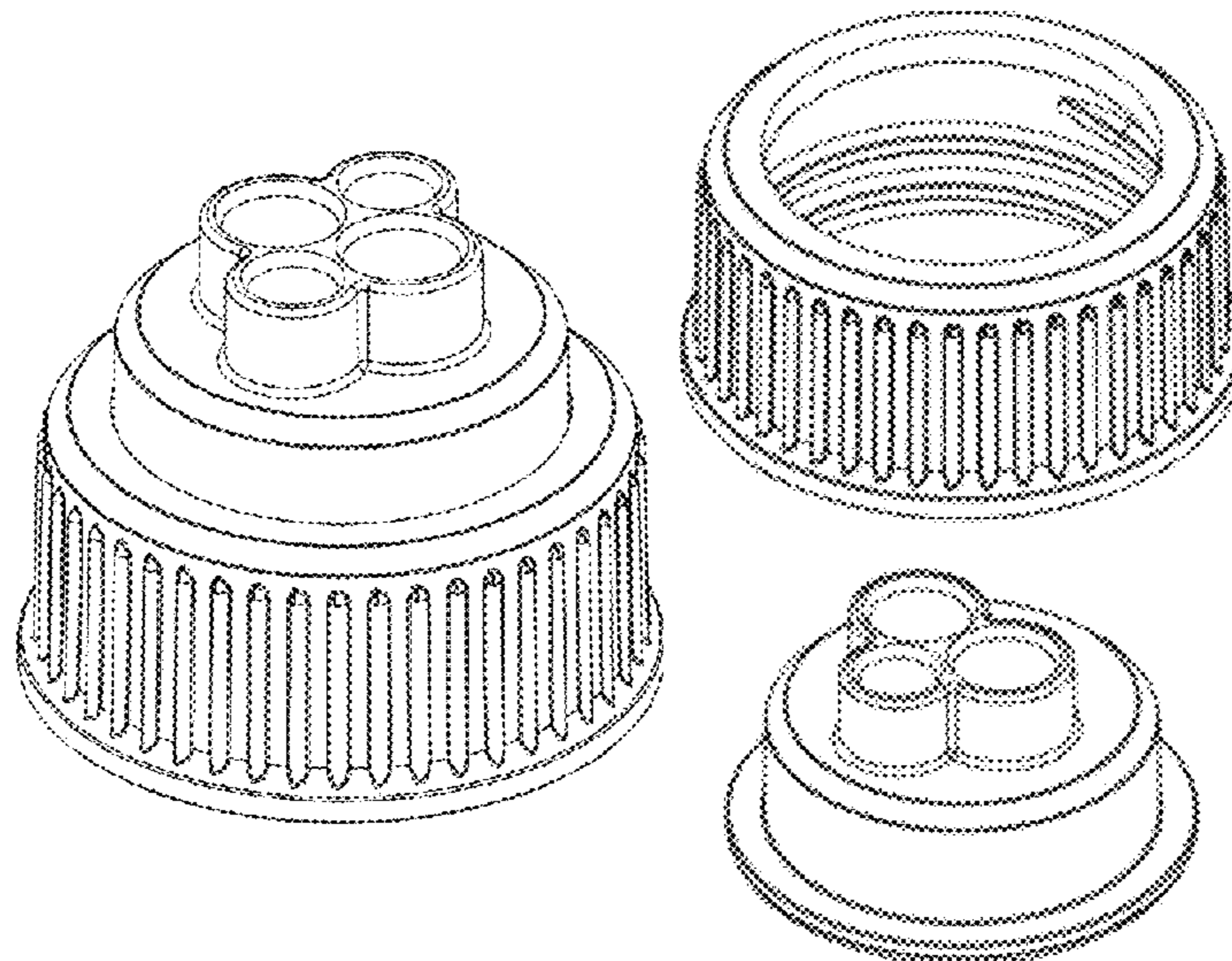
(57) **CLAIM**

An ornamental design for a medical instrument, as shown and described.

DESCRIPTION

- 1.-2. Medical instrument
- 1.1 : Exploded
- 1.2 : Top
- 1.3 : Perspective
- 1.4 : Front
- 1.5 : Side view
- 1.6 : Back
- 1.7 : Bottom
- 1.8 : Side view
- 2.1 : Exploded
- 2.2 : Top
- 2.3 : Perspective
- 2.4 : Front
- 2.5 : Left
- 2.6 : Back
- 2.7 : Bottom
- 2.8 : Right

1 Claim, 7 Drawing Sheets



(56)

References Cited

U.S. PATENT DOCUMENTS

D486,225 S * 2/2004 Gay, III D24/109
D912,247 S * 3/2021 Rees D24/129
D934,074 S * 10/2021 Kim B65D 41/34
D9/453
2012/0088974 A1* 4/2012 Maurice A61B 1/00128
600/157
2012/0095391 A1* 4/2012 Bendele A61B 1/00128
604/26
2017/0280976 A1* 10/2017 Roberts A61M 13/003
2019/0090725 A1* 3/2019 Roberts B65D 43/08

* cited by examiner

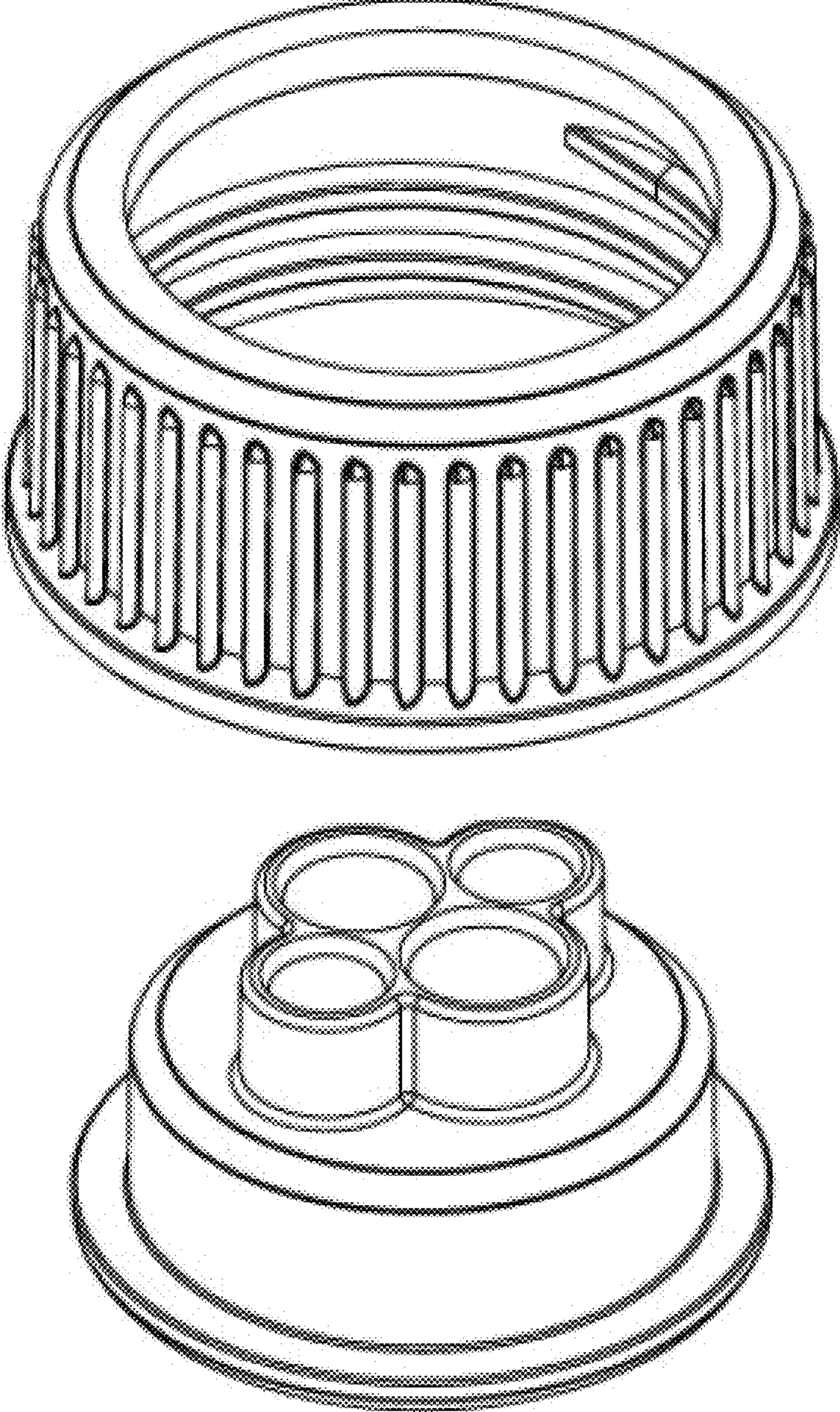


FIG. 1.1

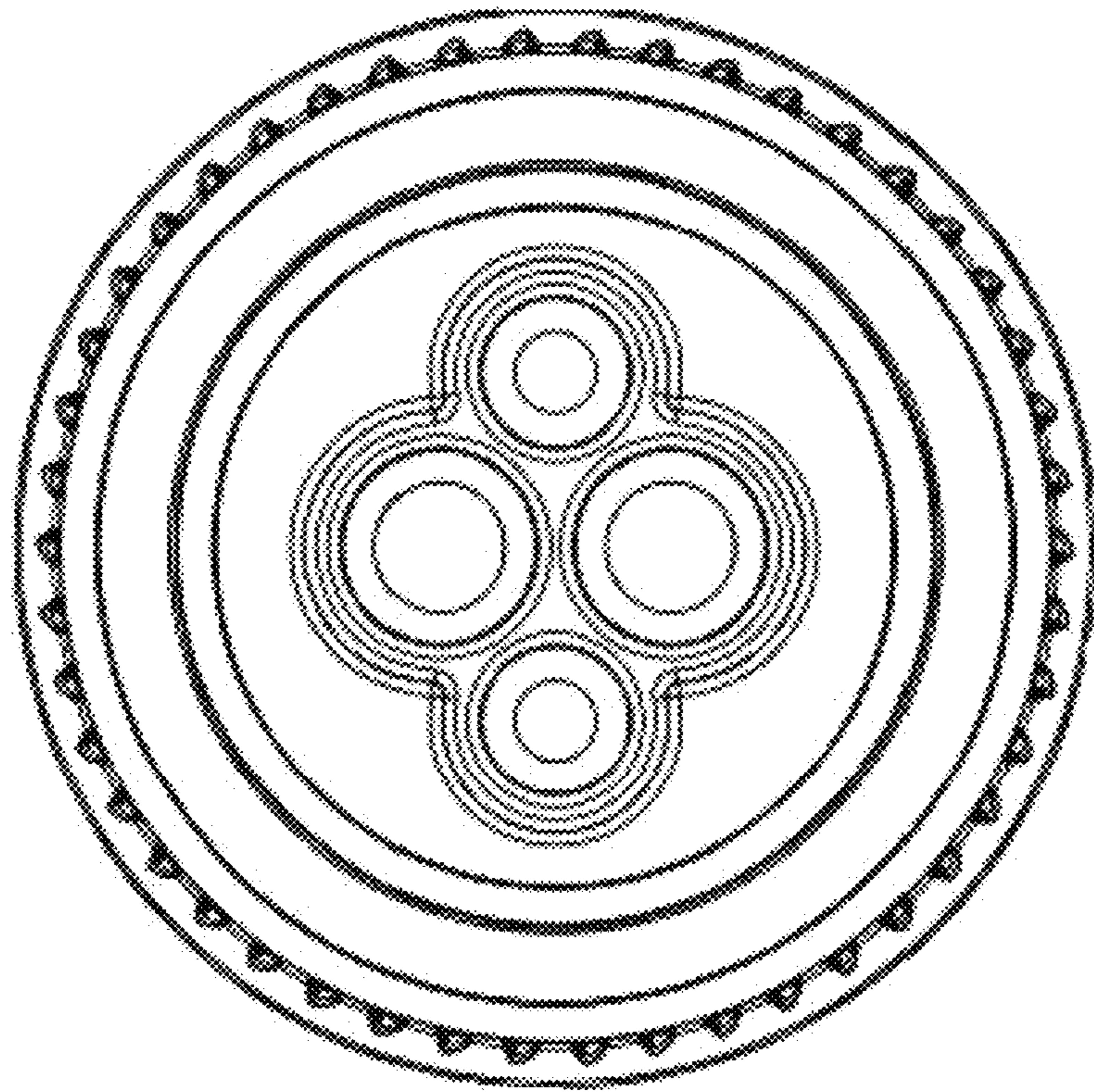


FIG. 1.2

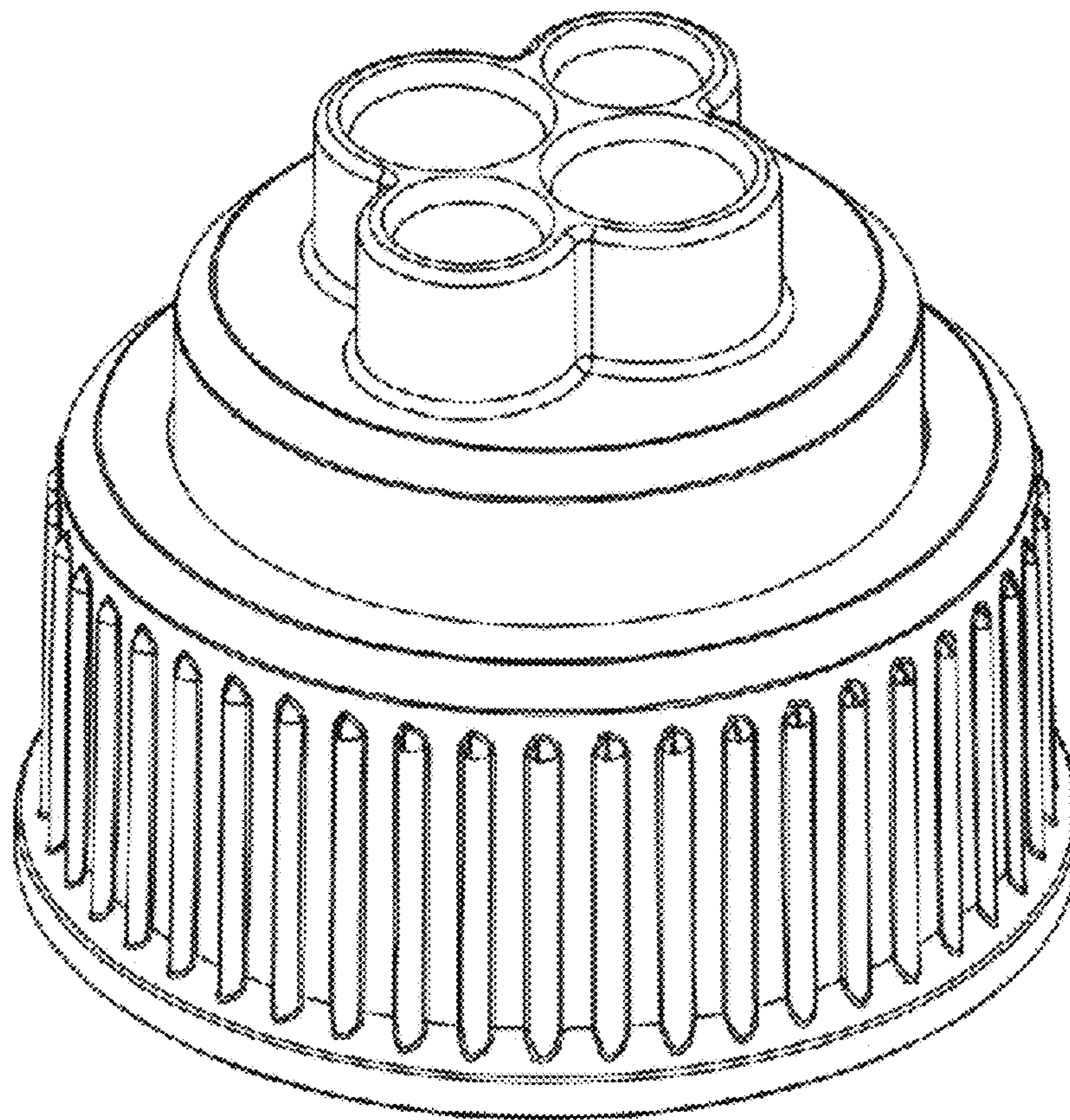


FIG. 1.3

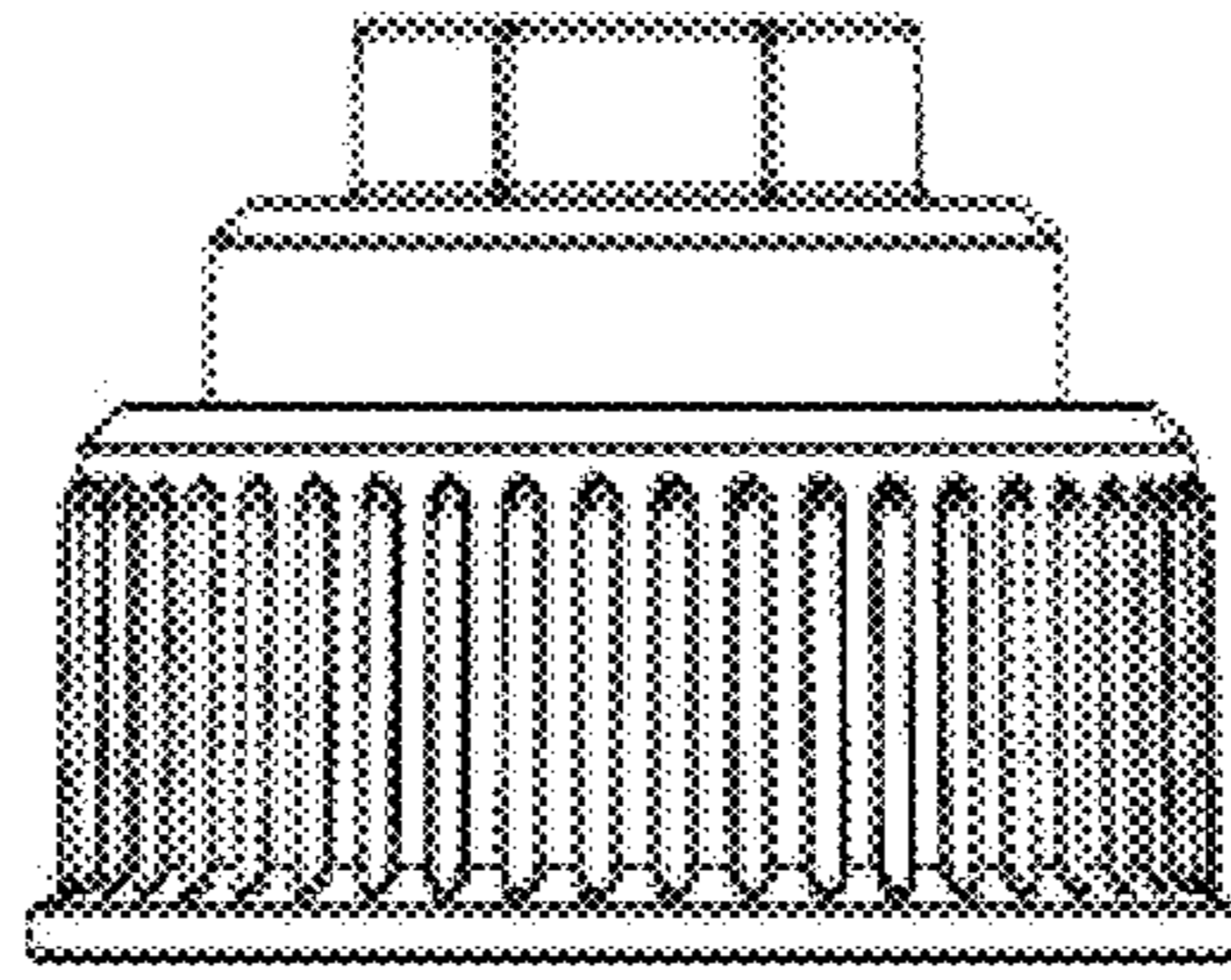


FIG. 1.4

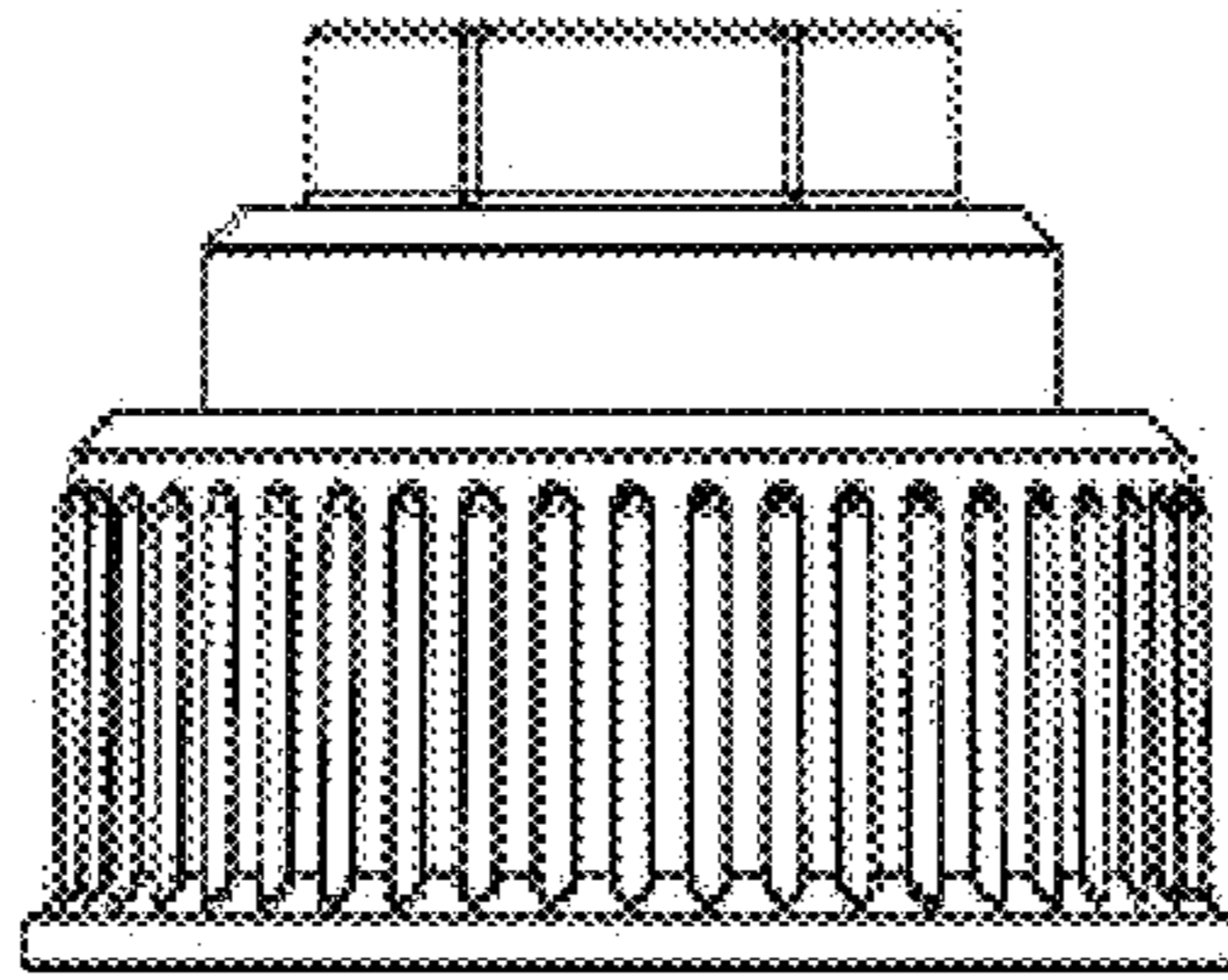


FIG. 1.5

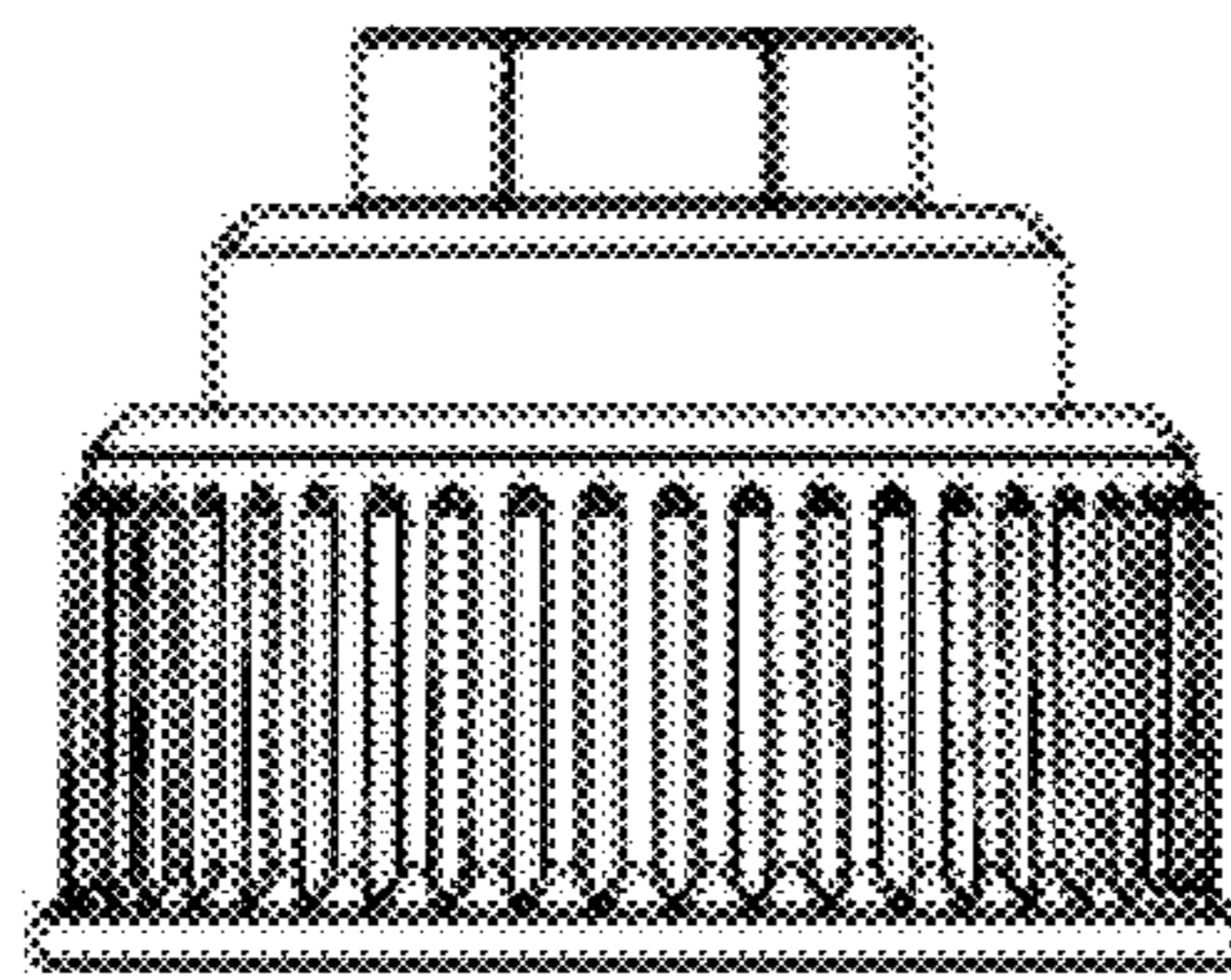


FIG. 1.6

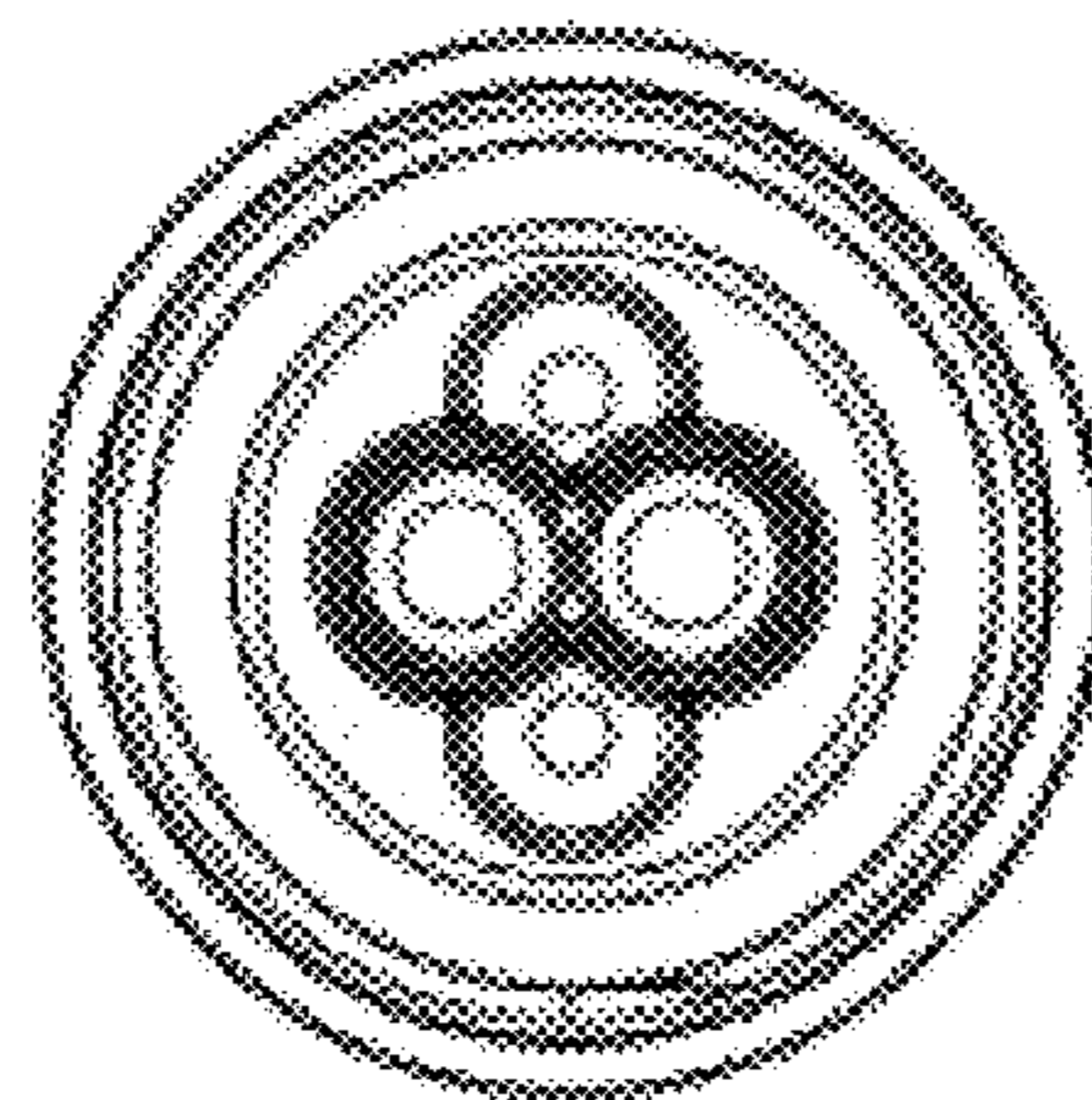


FIG. 1.7

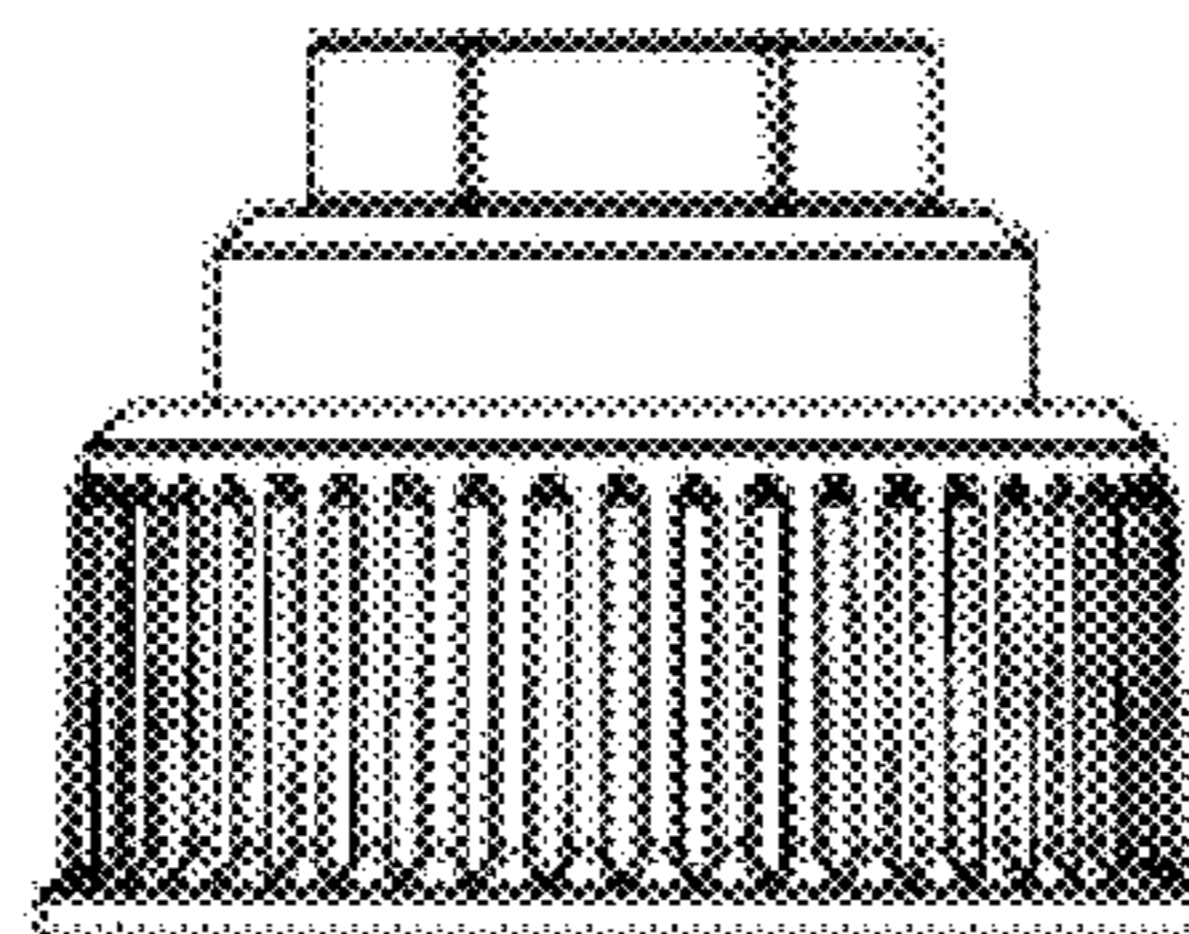


FIG. 1.8

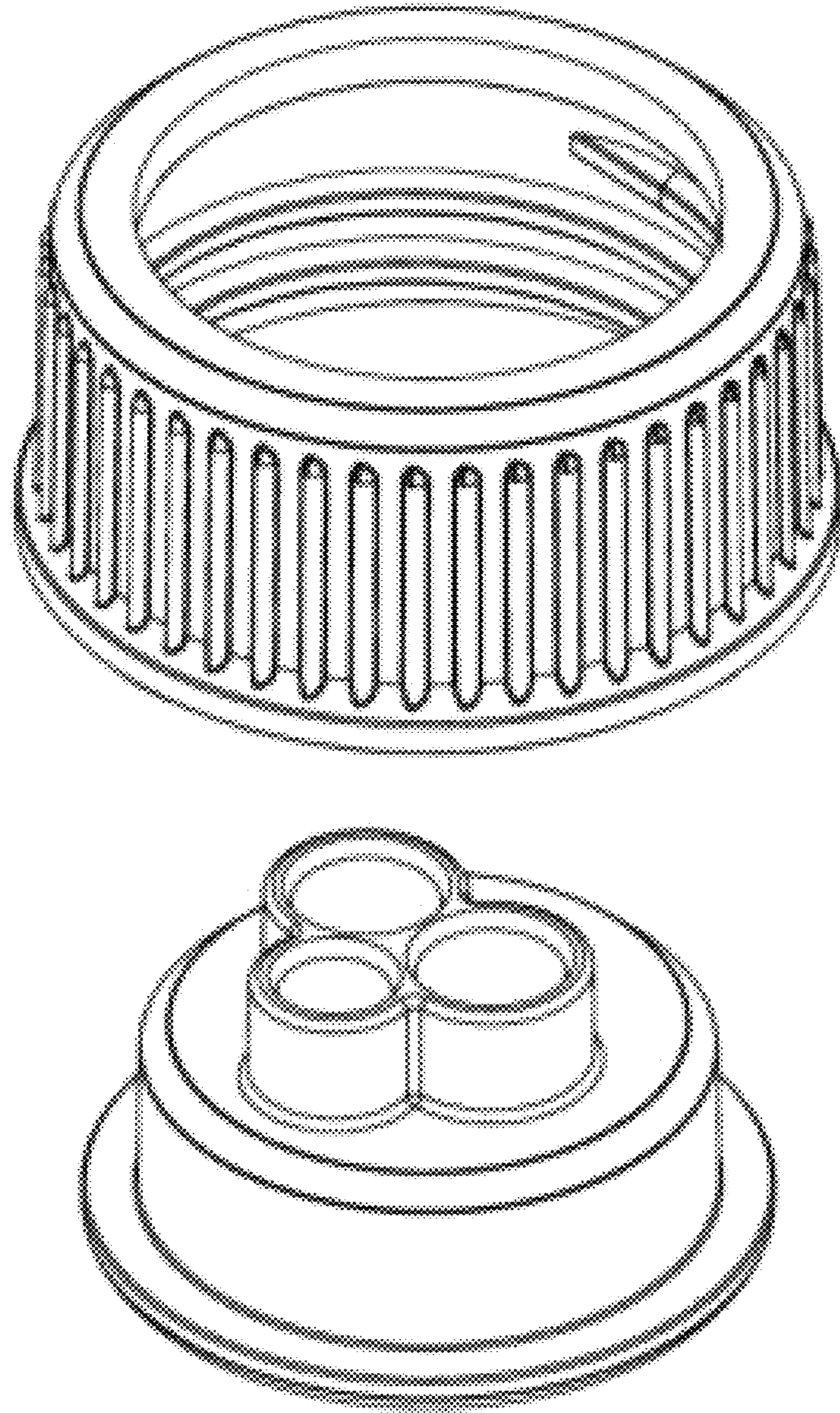


FIG. 2.1



FIG. 2.2

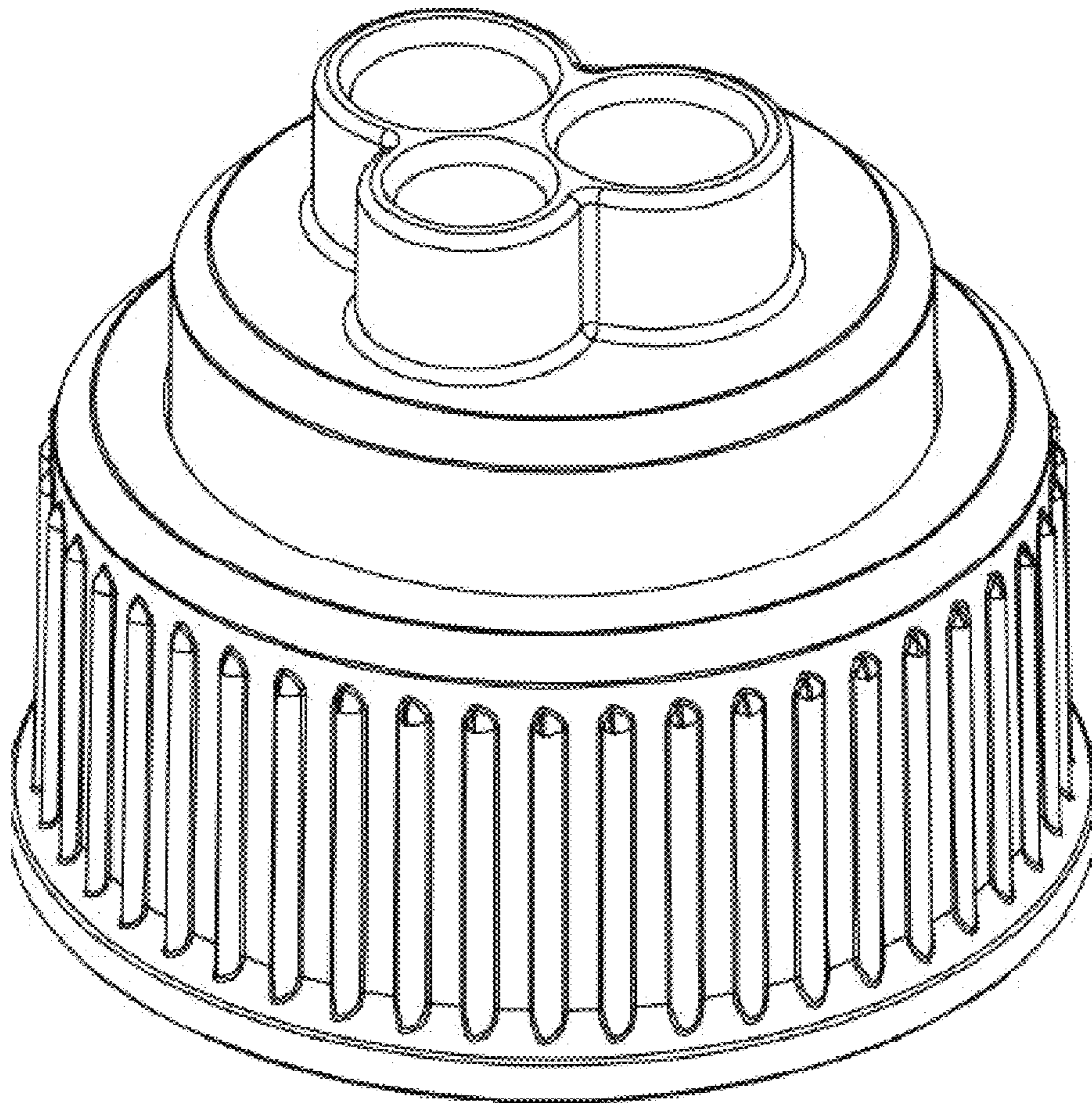


FIG. 2.3

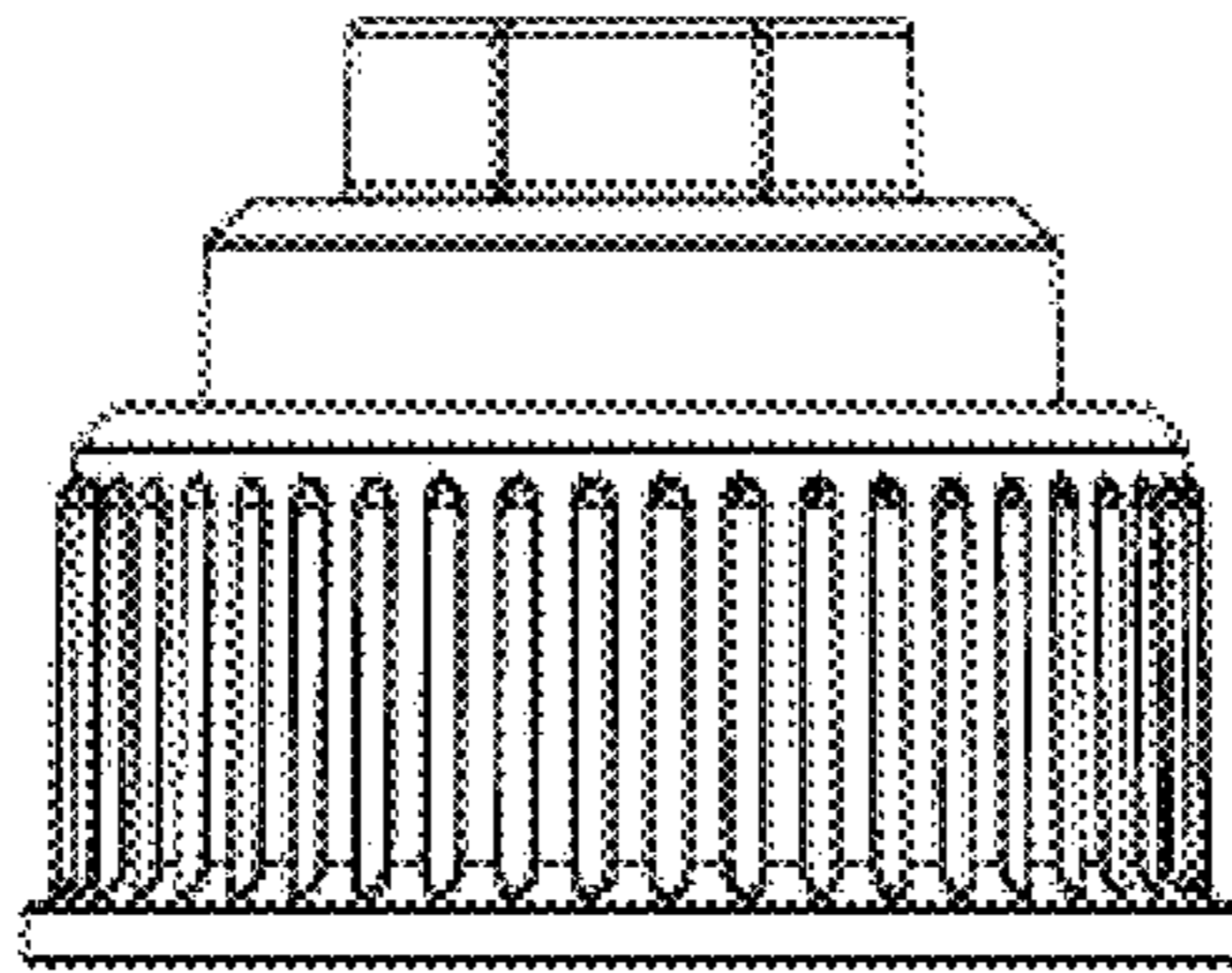


FIG. 2.4

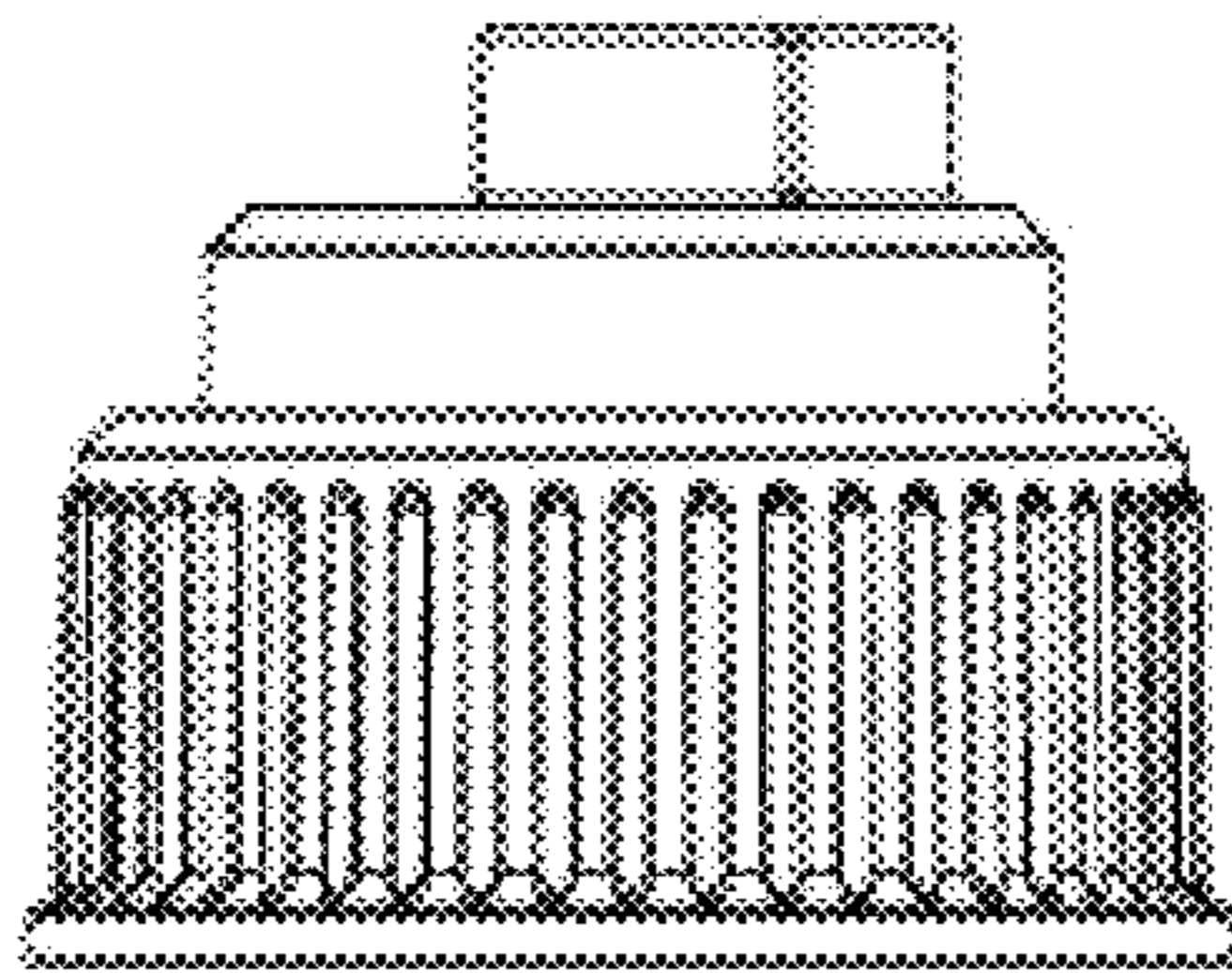


FIG. 2.5

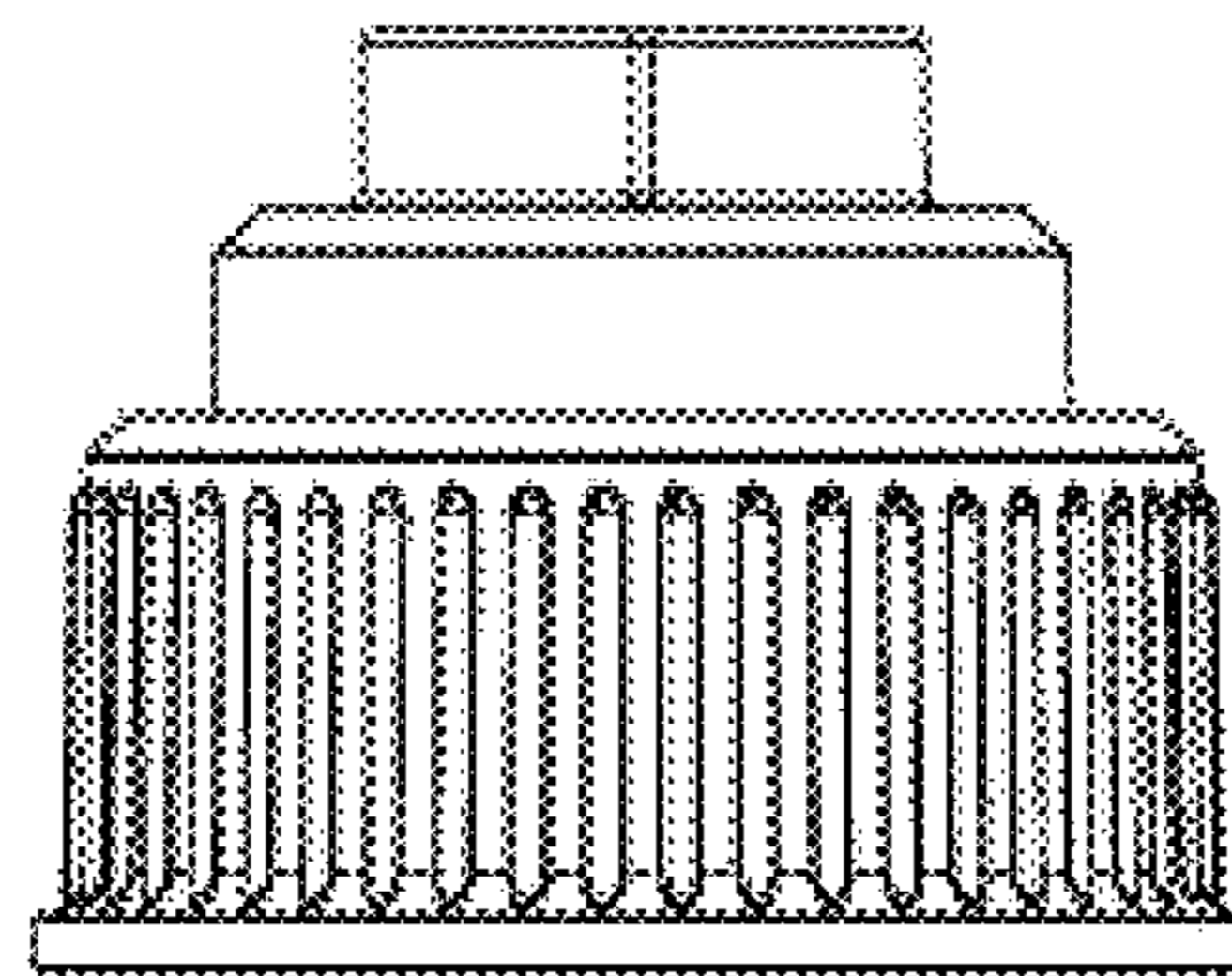


FIG. 2.6

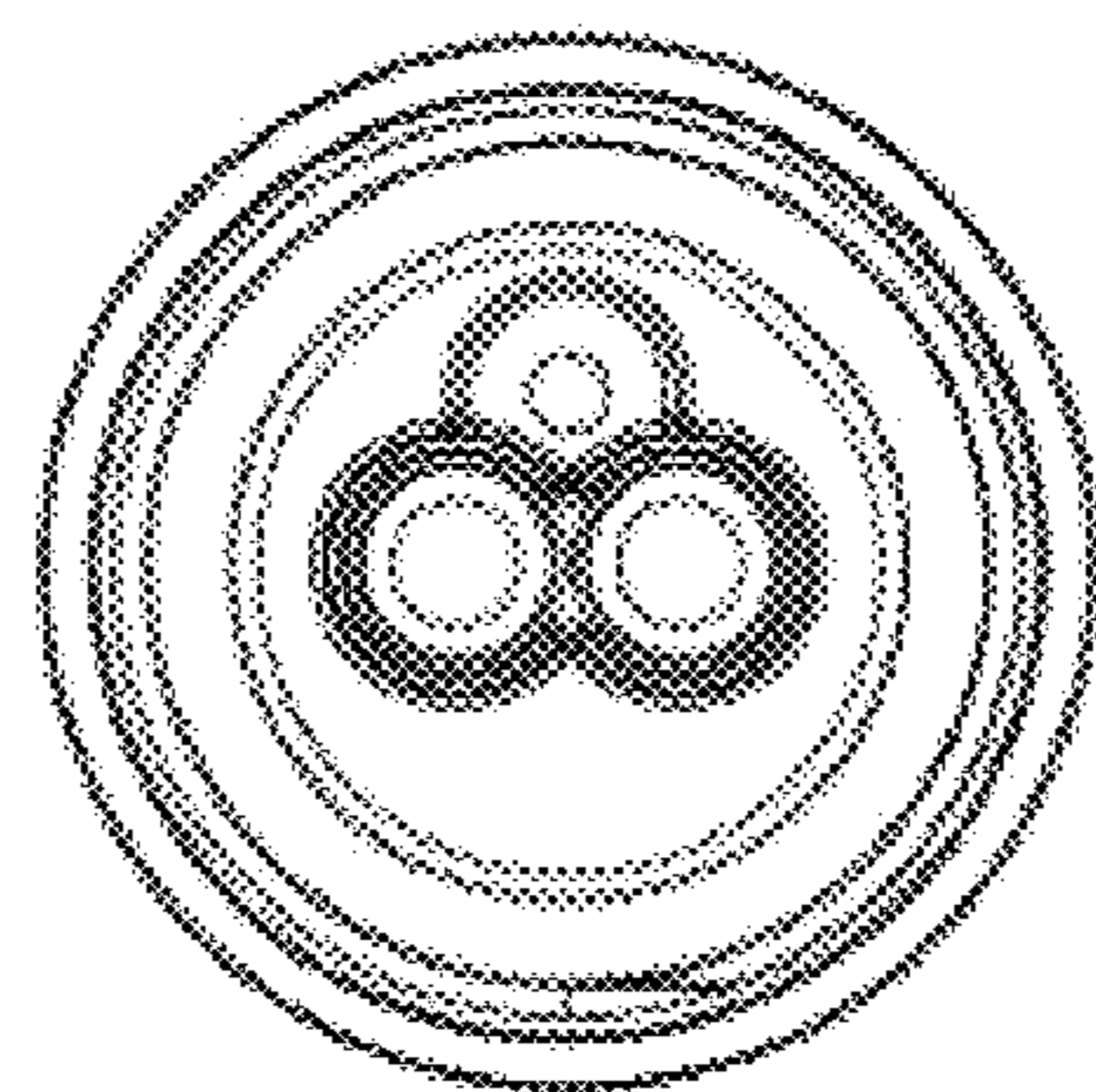


FIG. 2.7

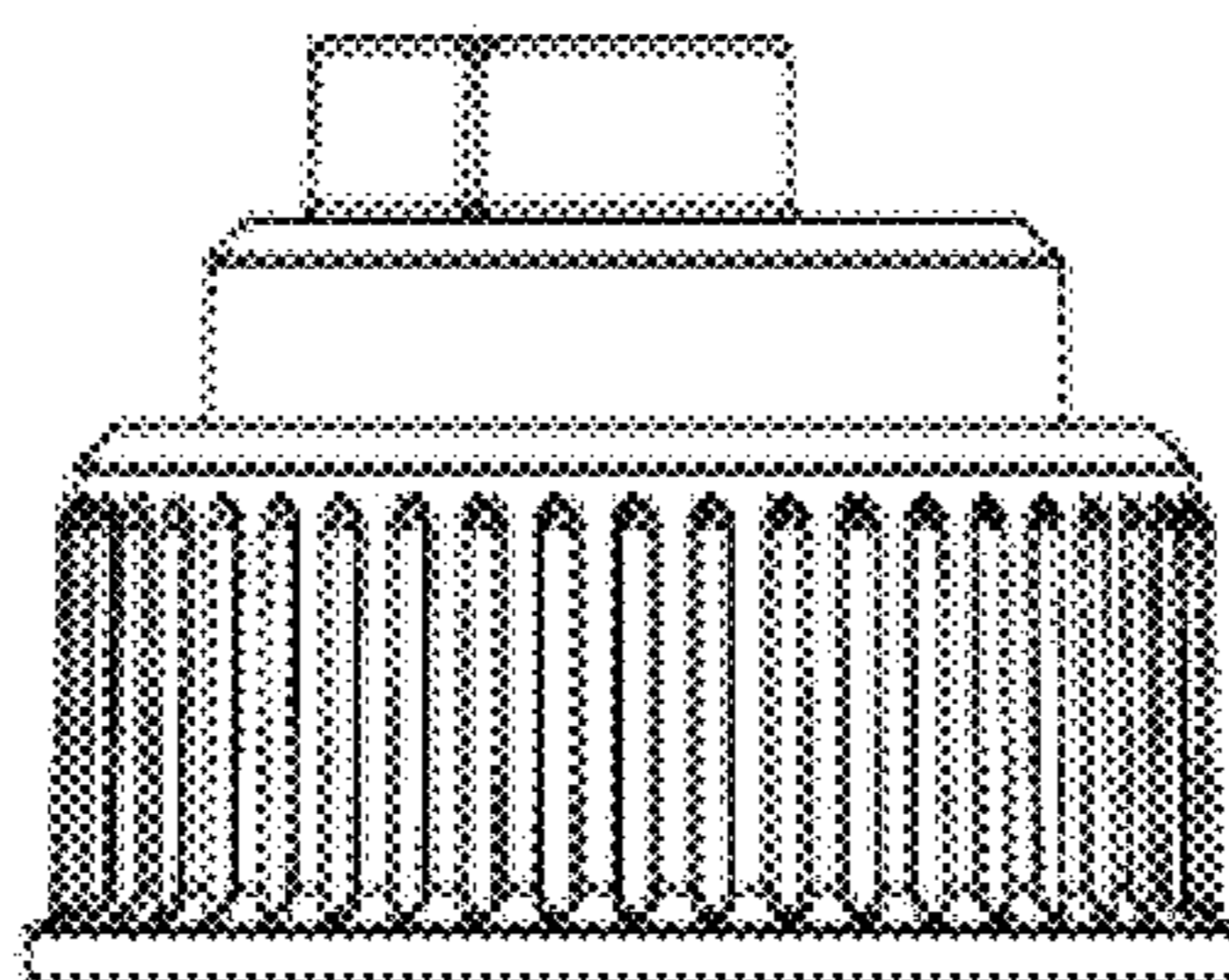


FIG. 2.8