



US00D952839S

(12) **United States Design Patent** (10) **Patent No.:** **US D952,839 S**
Ho (45) **Date of Patent:** **** May 24, 2022**

(54) **SYRINGE HOLDER**

(71) Applicant: **Stephen S Ho**, Houston, TX (US)

(72) Inventor: **Stephen S Ho**, Houston, TX (US)

(**) Term: **15 Years**

(21) Appl. No.: **29/681,033**

(22) Filed: **Feb. 21, 2019**

(51) **LOC (13) Cl.** **24-01**

(52) **U.S. Cl.**
USPC **D24/128**

(58) **Field of Classification Search**
USPC D24/127-131, 112-114, 133, 186;
606/181, 185; 604/264, 523-528, 272,
(Continued)

(56) **References Cited**

U.S. PATENT DOCUMENTS

D287,570 S * 1/1987 Olsen D24/224
D318,728 S * 7/1991 Braune D24/224
(Continued)

Primary Examiner — Nathan M Johnston

(74) *Attorney, Agent, or Firm* — Whittaker Law Firm;
Malcolm E. Whittaker

(57) **CLAIM**

The ornamental design for a syringe holder, as shown and described.

DESCRIPTION

FIG. 1 illustrates a perspective view of a syringe holder.
FIG. 2 illustrates a perspective exploded view of the syringe holder. A syringe is illustrated in dashed lines.

FIG. 3 illustrates an environmental perspective view of the syringe holder holding the syringe.

FIG. 4 illustrates a front view of the syringe holder holding the syringe. The rear view of the syringe holder holding the syringe is a mirror image.

FIG. 5 illustrates a right side view of the syringe holder holding the syringe. The left side view of the syringe holder holding the syringe is a mirror image.

FIG. 6 illustrates a top view of the syringe holder.

FIG. 7 illustrates a bottom view of the syringe holder.

FIG. 8 illustrates a front view of a cup of the syringe holder. The back view of the cup of the syringe holder is the mirror image shown separately for ease of illustration.

FIG. 9 illustrates a right side view of the cup of the syringe holder. The left side view of the cup of the syringe holder is a mirror image shown separately for ease of illustration.

FIG. 10 illustrates a top view of the cup of the syringe holder shown separately for ease of illustration.

FIG. 11 illustrates a bottom view of the cup of the syringe holder shown separately for ease of illustration.

FIG. 12 illustrates a front view of the upper support of the syringe holder. The rear view, left side view, and right side view of the upper support are each a mirror image of the front view shown separately for ease of illustration.

FIG. 13 illustrates a top view of the upper support of the syringe holder shown separately for ease of illustration.

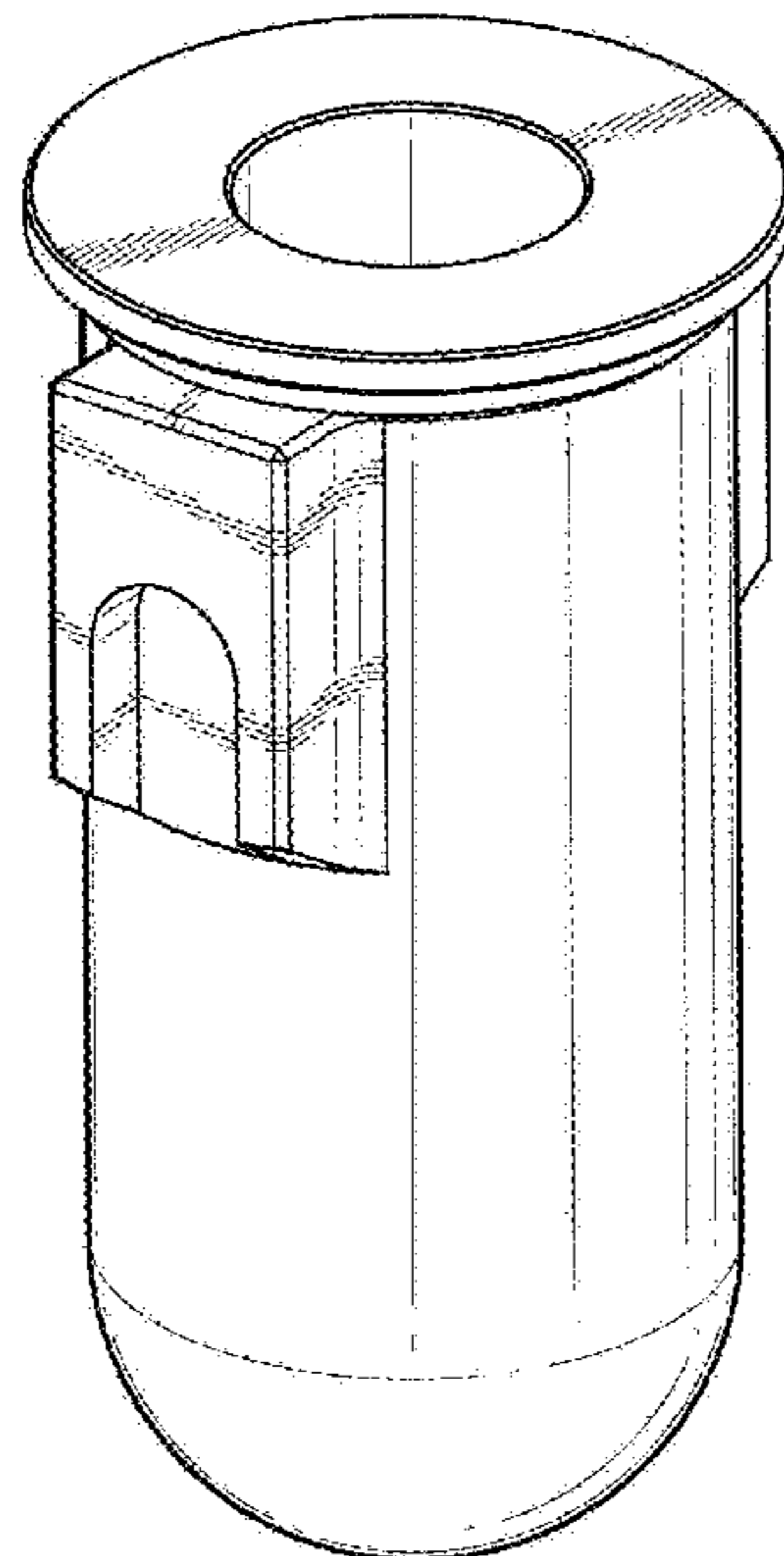
FIG. 14 illustrates a bottom view of the upper support of the syringe holder shown separately for ease of illustration.

FIG. 15 illustrates a front view of the lower support of the syringe holder. The rear view, the right side view, and the left side view of the lower support are each a mirror image of the front view shown separately for ease of illustration.

FIG. 16 illustrates a top view of the lower support of the syringe holder shown separately for ease of illustration; and, FIG. 17 illustrates a bottom view of the lower support of the syringe holder shown separately for ease of illustration.

Broken lines are used to illustrate portions of the syringe holder or environmental subject matter that form no part of the claimed design.

1 Claim, 9 Drawing Sheets



(58) **Field of Classification Search**

USPC 604/187, 158, 164.01–164.11, 181, 184,
604/227
CPC B04B 5/0421; B04B 5/0442; B04B
2005/0435; A61K 9/0019; A61K 35/19;
A61K 35/16; A61M 1/029; A61M
1/3693; A61M 2202/0415; A61M
2202/0427; B01L 3/5021; A61B 5/1416;
G01N 1/4077; G01N 33/491; G01N
2001/4088

See application file for complete search history.

(56)

References Cited

U.S. PATENT DOCUMENTS

D325,444 S * 4/1992 Murashita D24/224
D393,421 S * 4/1998 Kovens D9/428
5,900,291 A * 5/1999 Pebbles A61B 5/1545
428/1.6
D432,245 S * 10/2000 Stevens D24/216

D435,662 S * 12/2000 Stevens D20/22
D435,663 S * 12/2000 Stevens D20/22
D436,182 S * 1/2001 Stevens D20/22
D445,908 S * 7/2001 Conway D24/216
6,602,206 B1 * 8/2003 Niemann B01L 3/50825
600/573
D643,934 S * 8/2011 Wilkinson D24/224
D764,310 S * 8/2016 Schug D9/696
D777,341 S * 1/2017 Oguro D24/224
D782,036 S * 3/2017 Cai D24/121
D793,165 S * 8/2017 Rummel D7/510
D800,501 S * 10/2017 Rummel D7/509
D803,395 S * 11/2017 Equere D24/122
D821,591 S * 6/2018 Smith D24/197
D832,708 S * 11/2018 Roser D9/504
D838,141 S * 1/2019 Bertsch D7/510
D839,096 S * 1/2019 Fux D9/503
D847,575 S * 5/2019 Rollens D7/510
D852,352 S * 6/2019 Dobson D24/122
D873,076 S * 1/2020 Pan D7/523
2017/0156475 A1 * 6/2017 Lombardi A61M 35/003

* cited by examiner

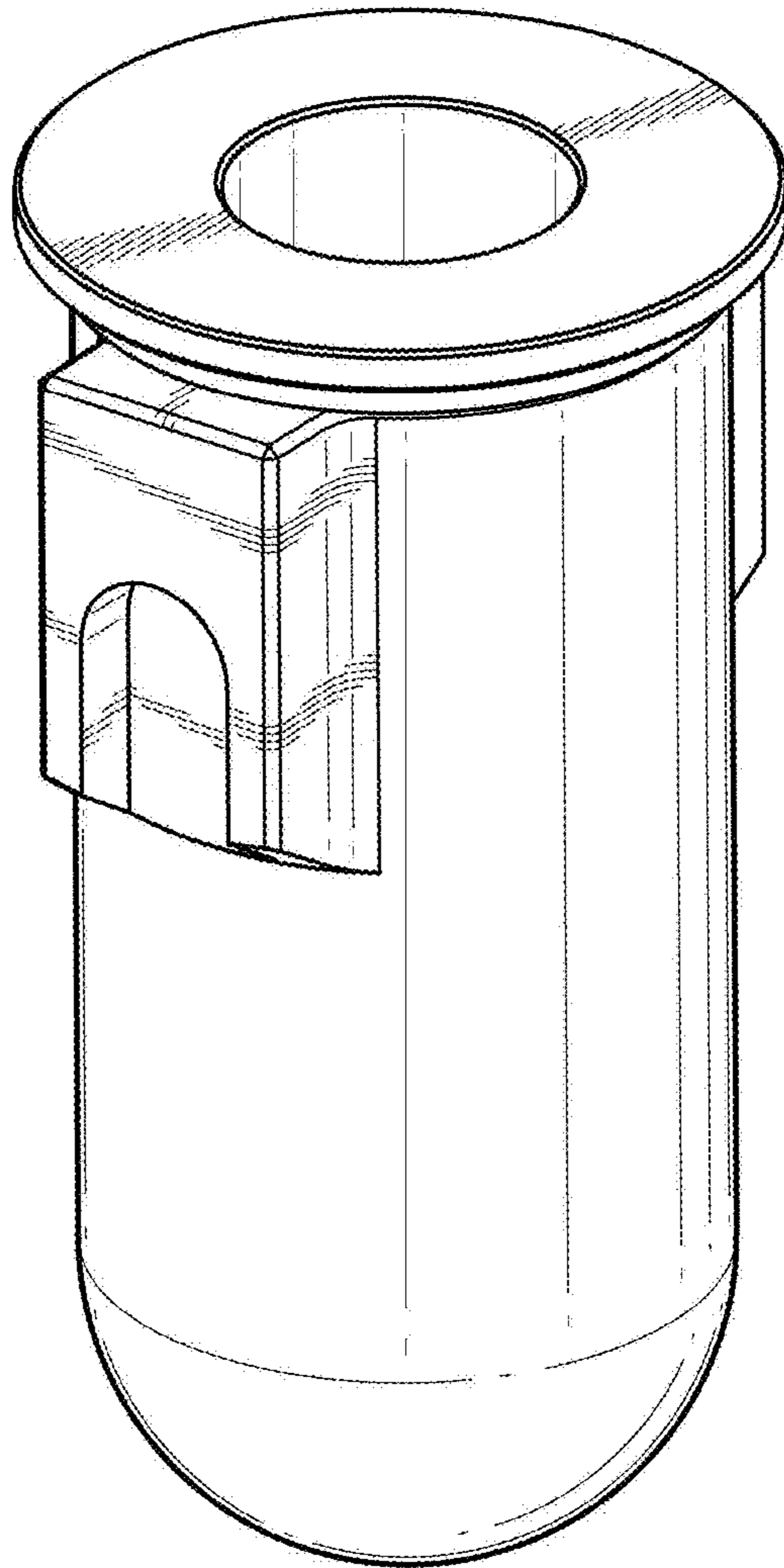


FIG. 1

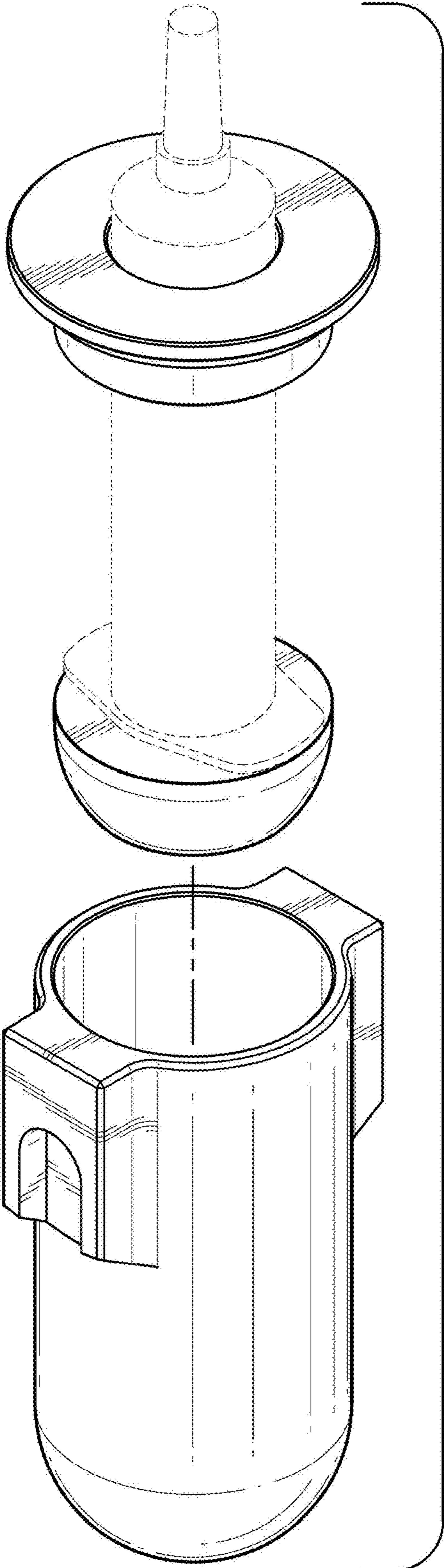


FIG. 2

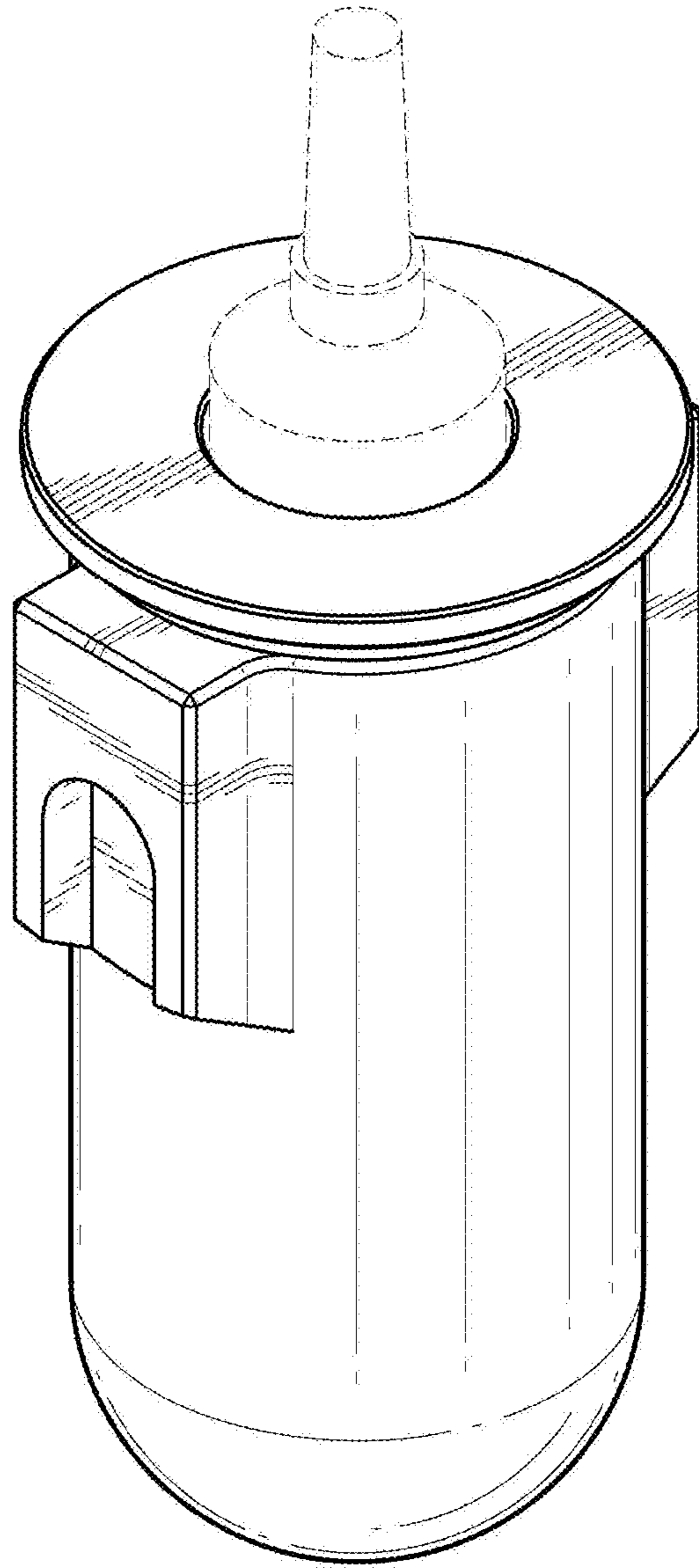


FIG. 3

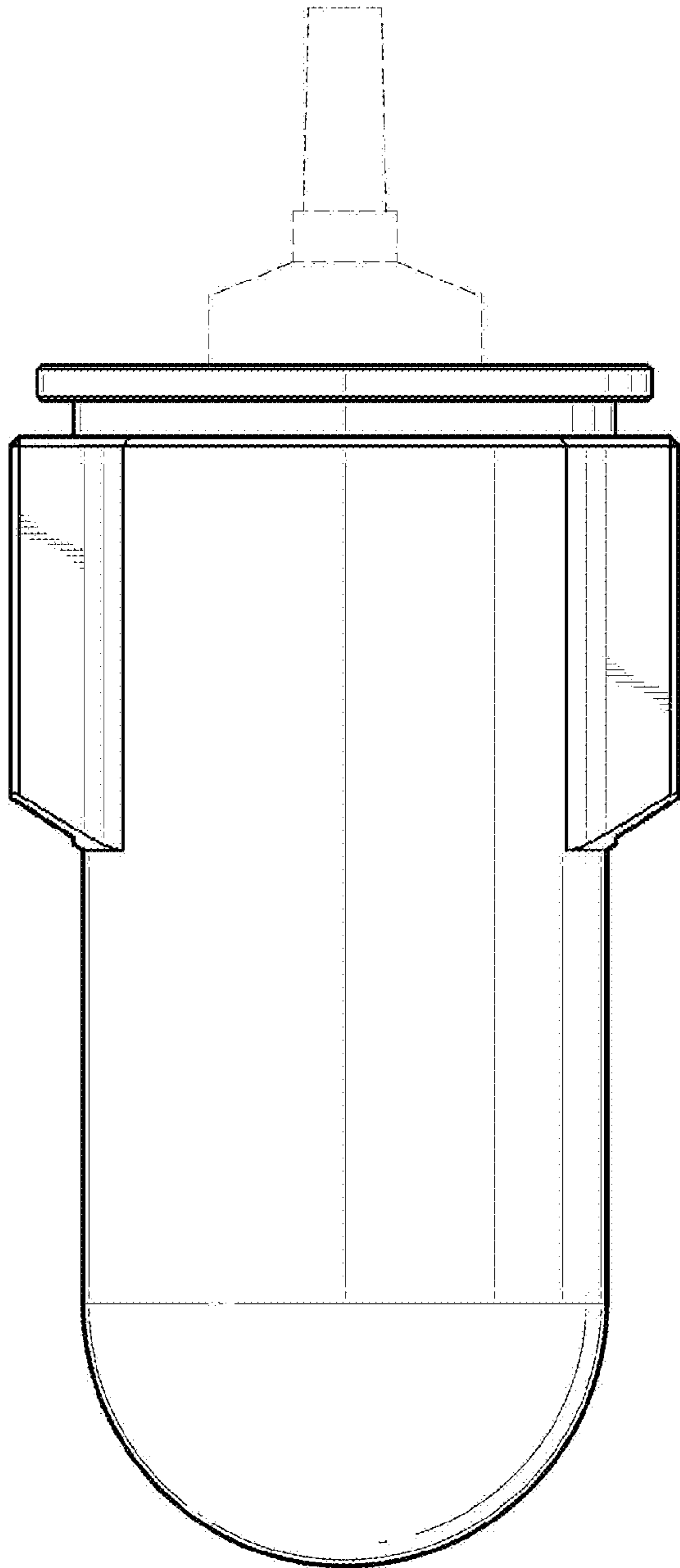


FIG. 4

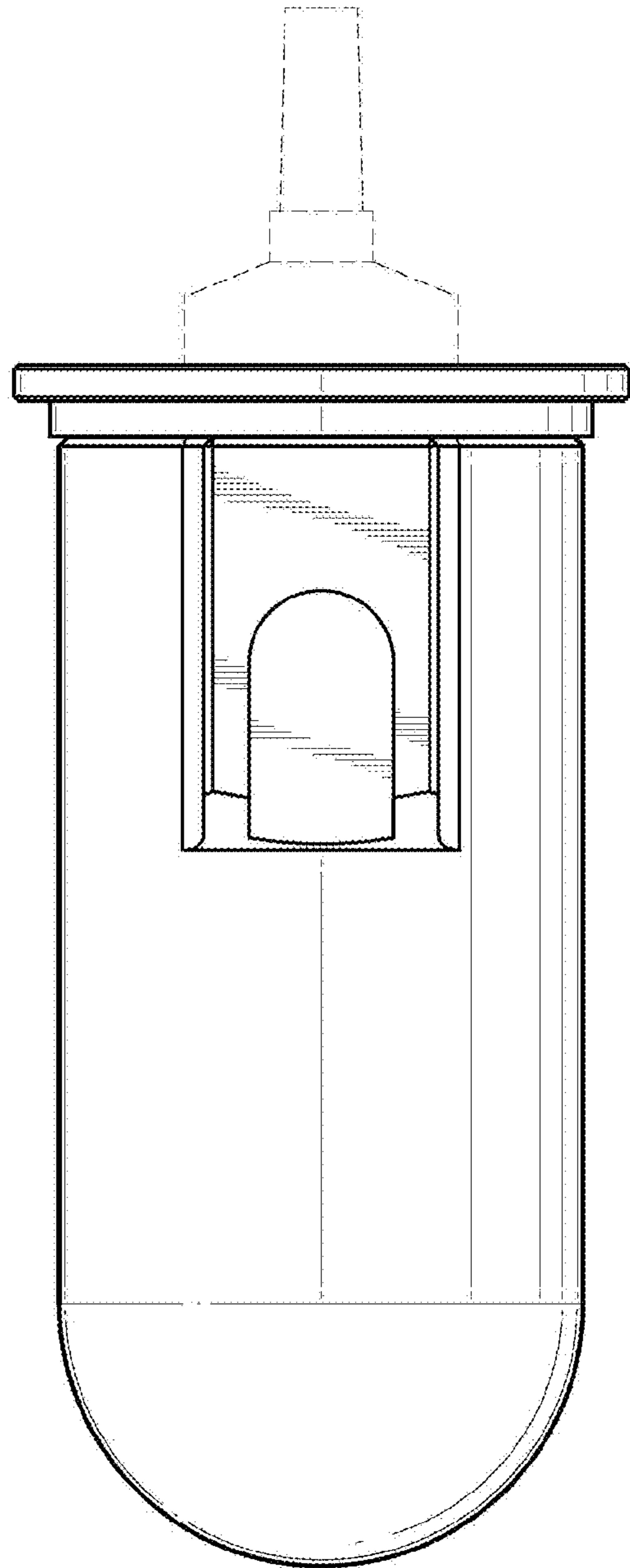


FIG. 5

FIG. 6

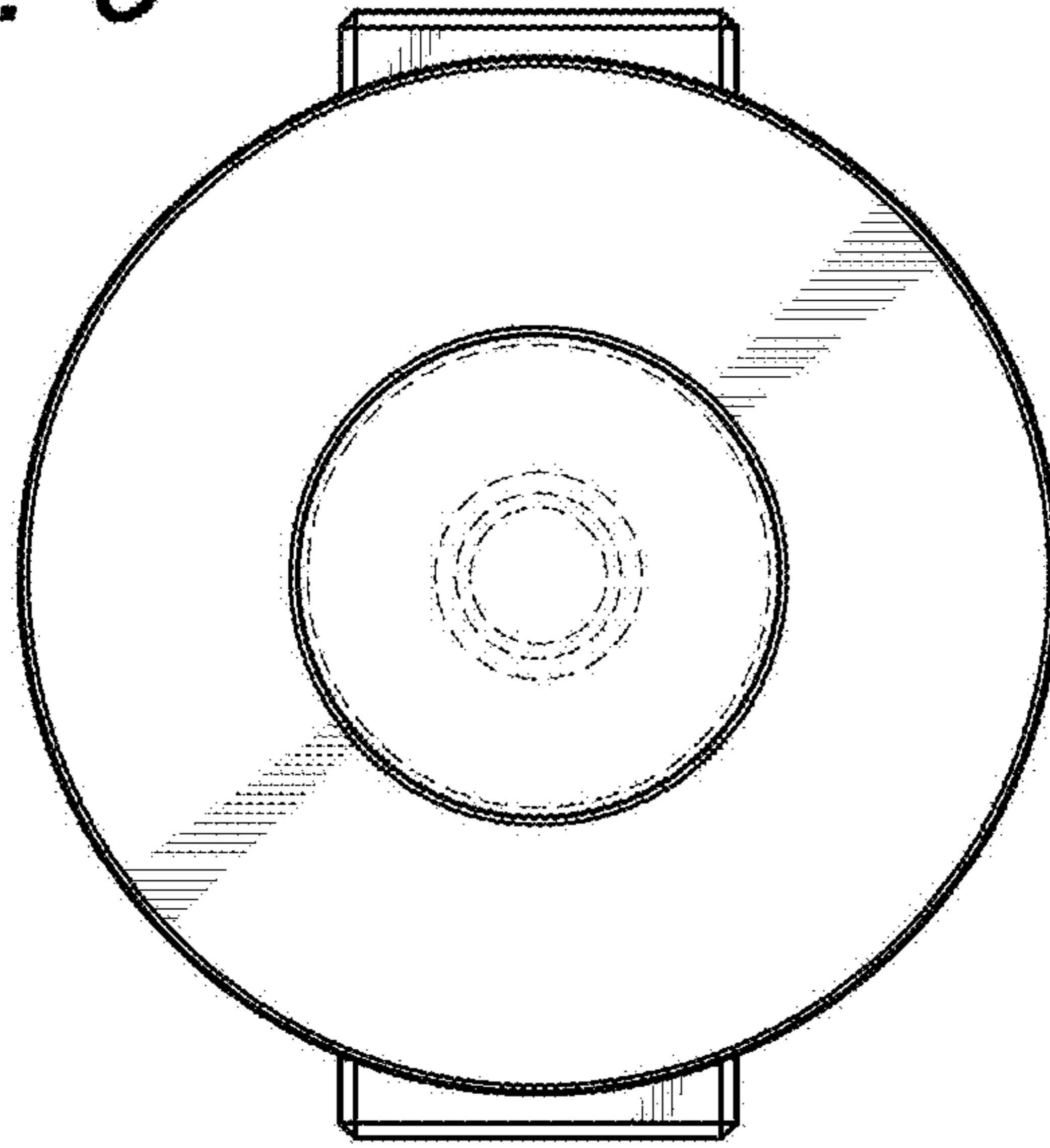
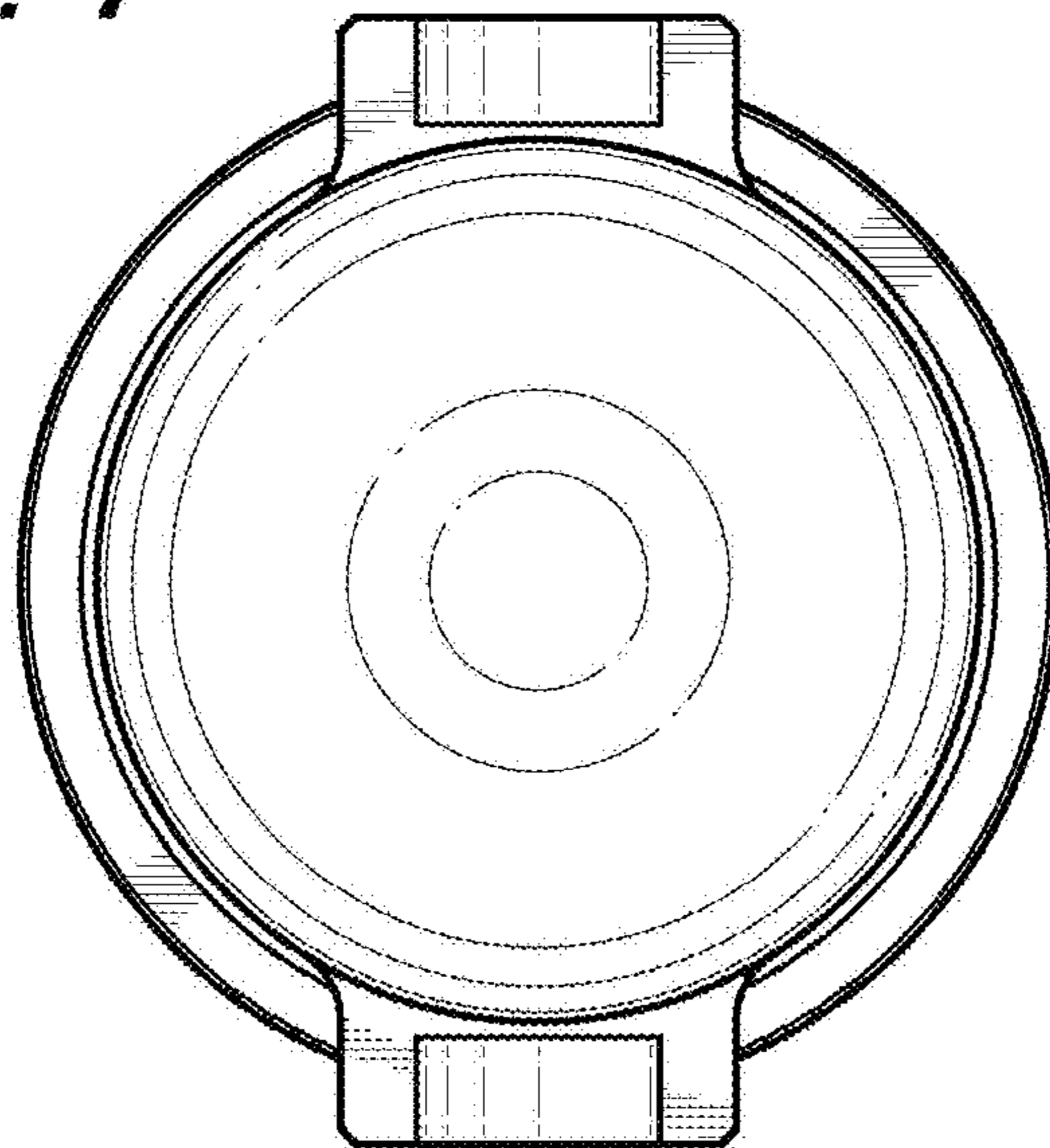


FIG. 7



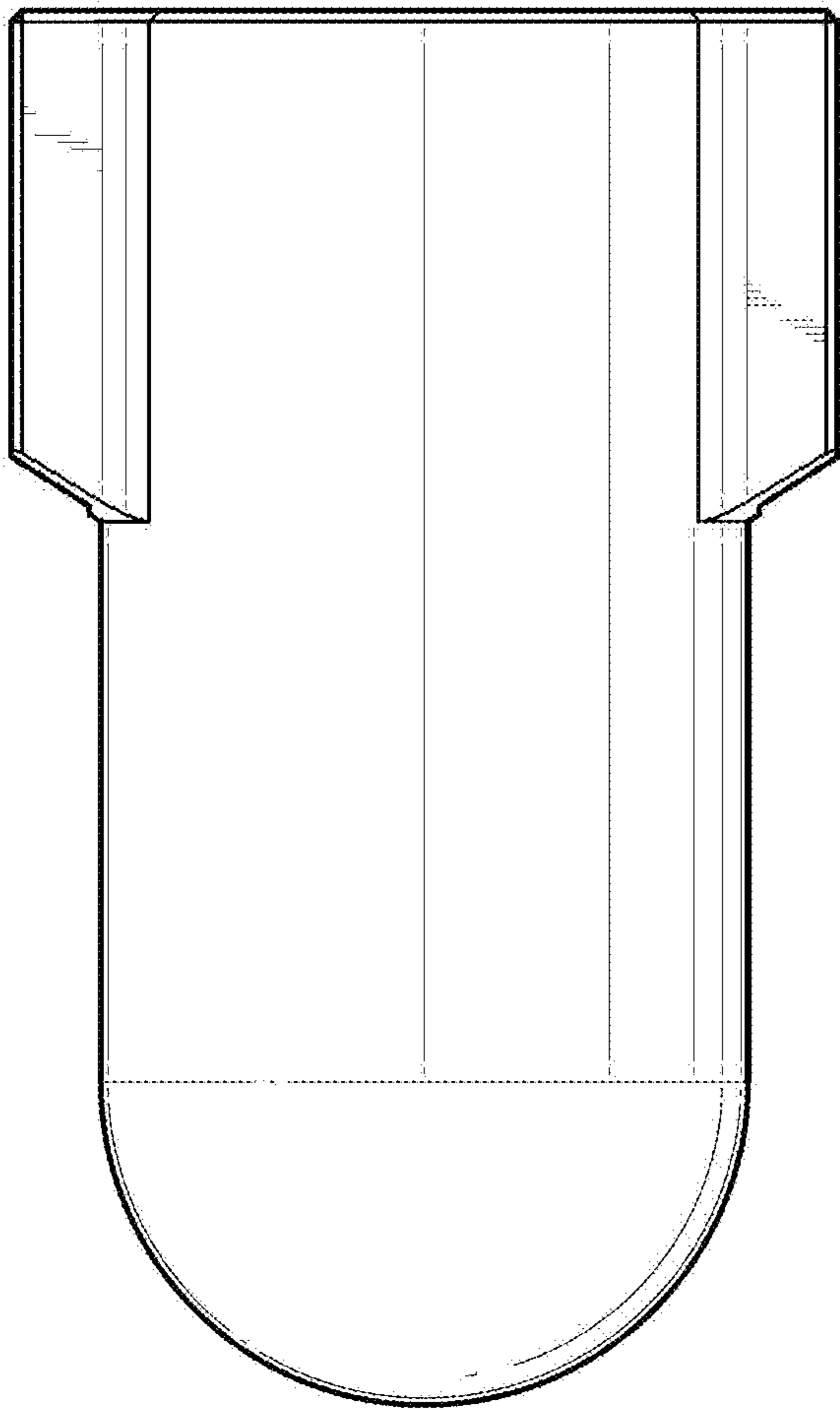


FIG. 8

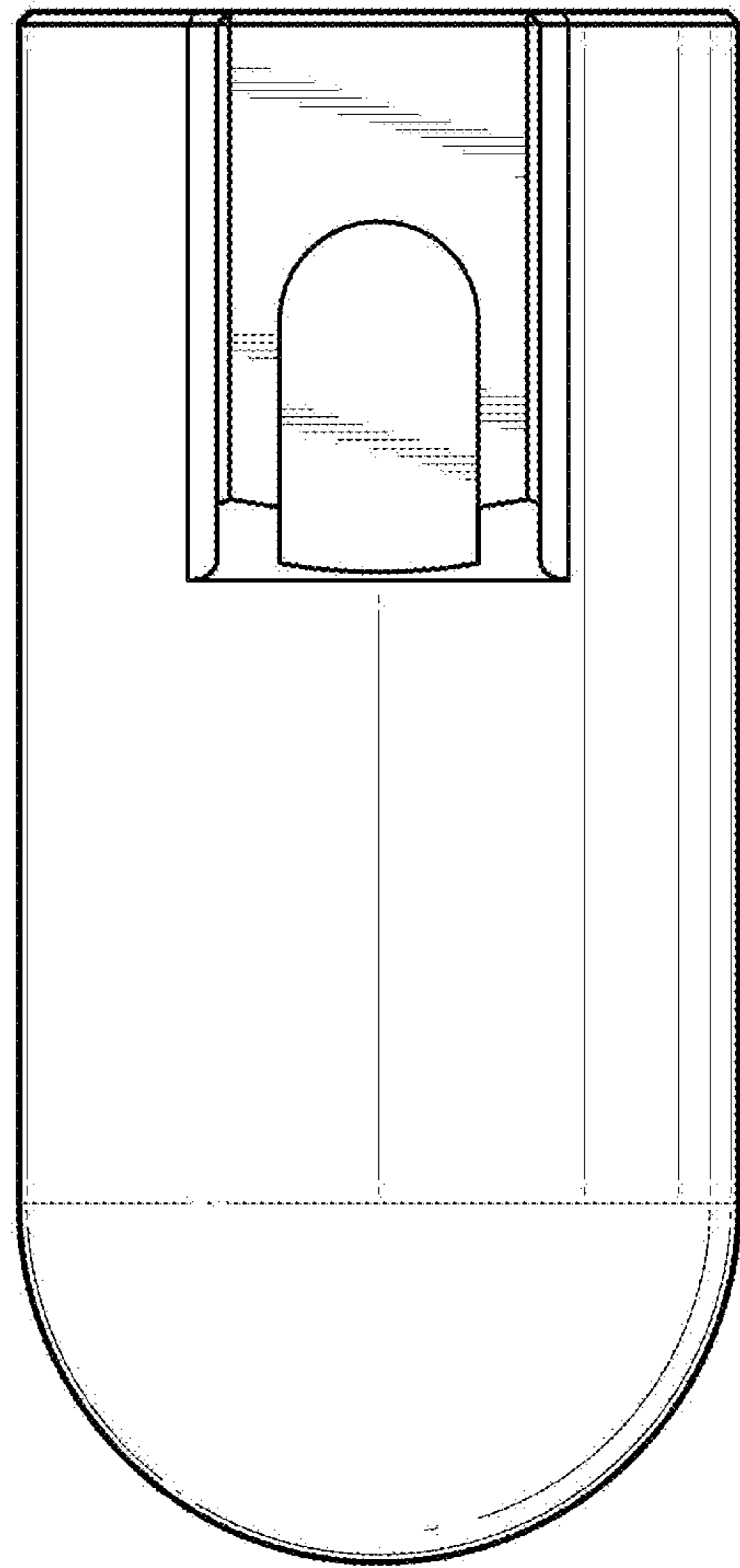


FIG. 9

FIG. 10

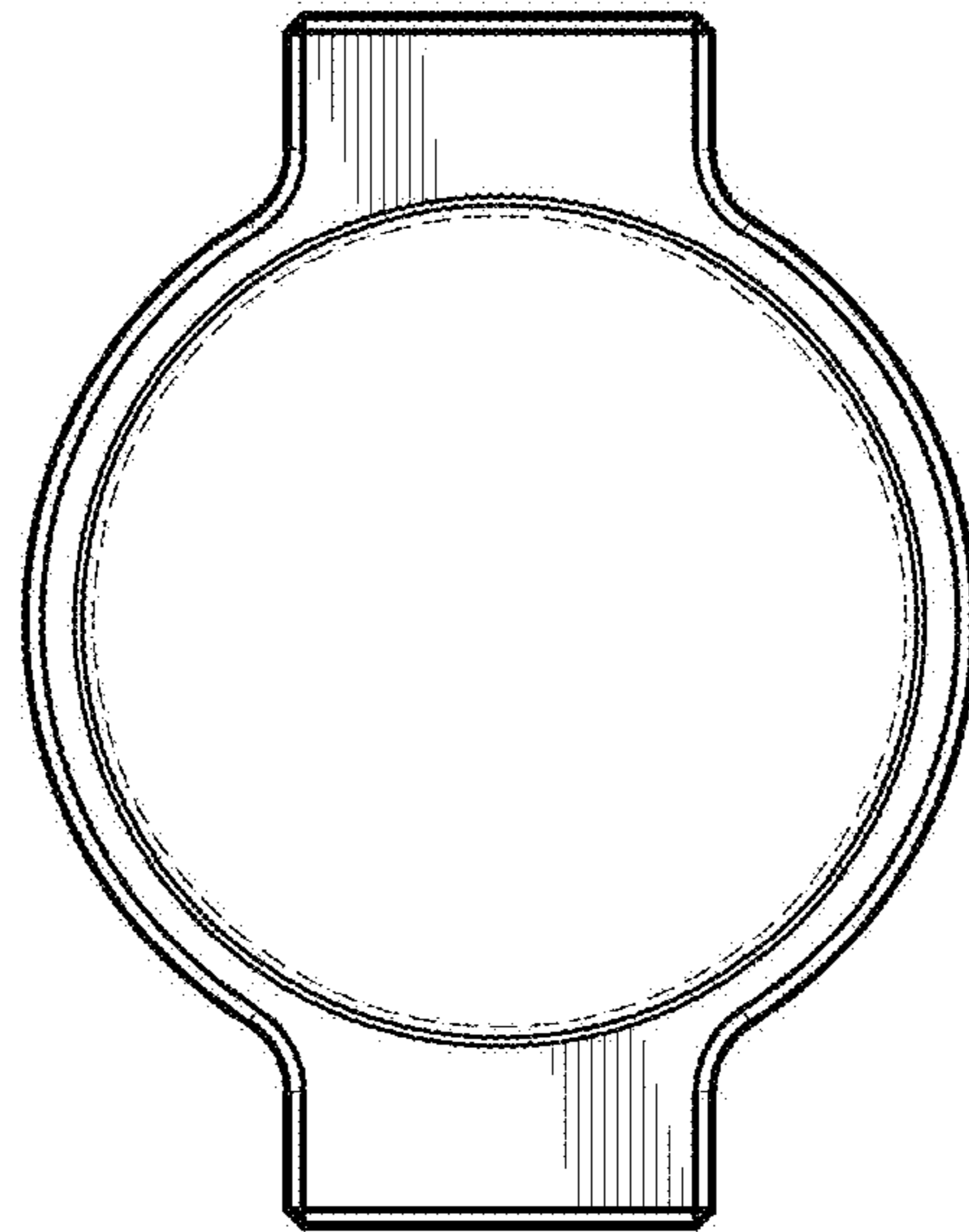
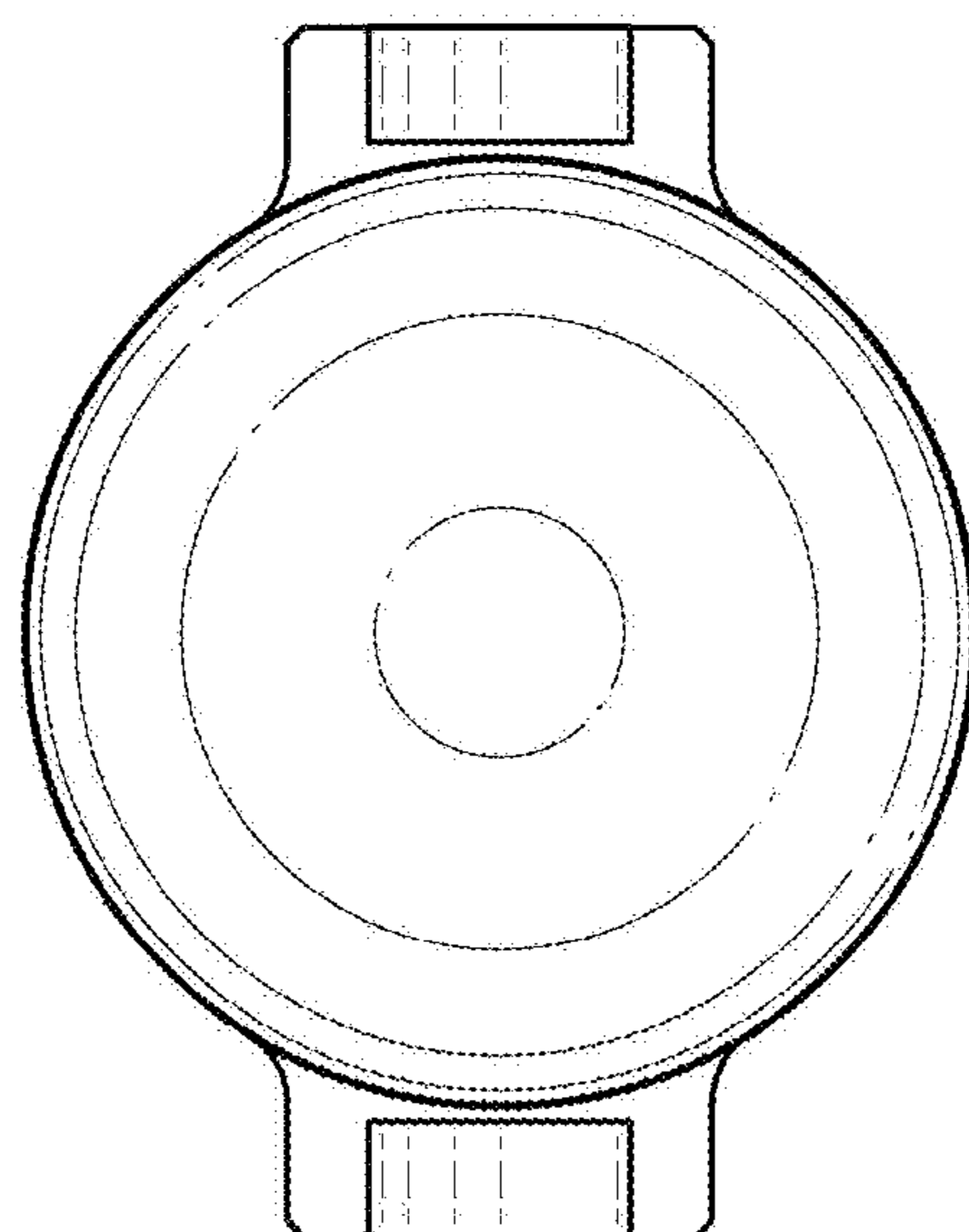


FIG. 11



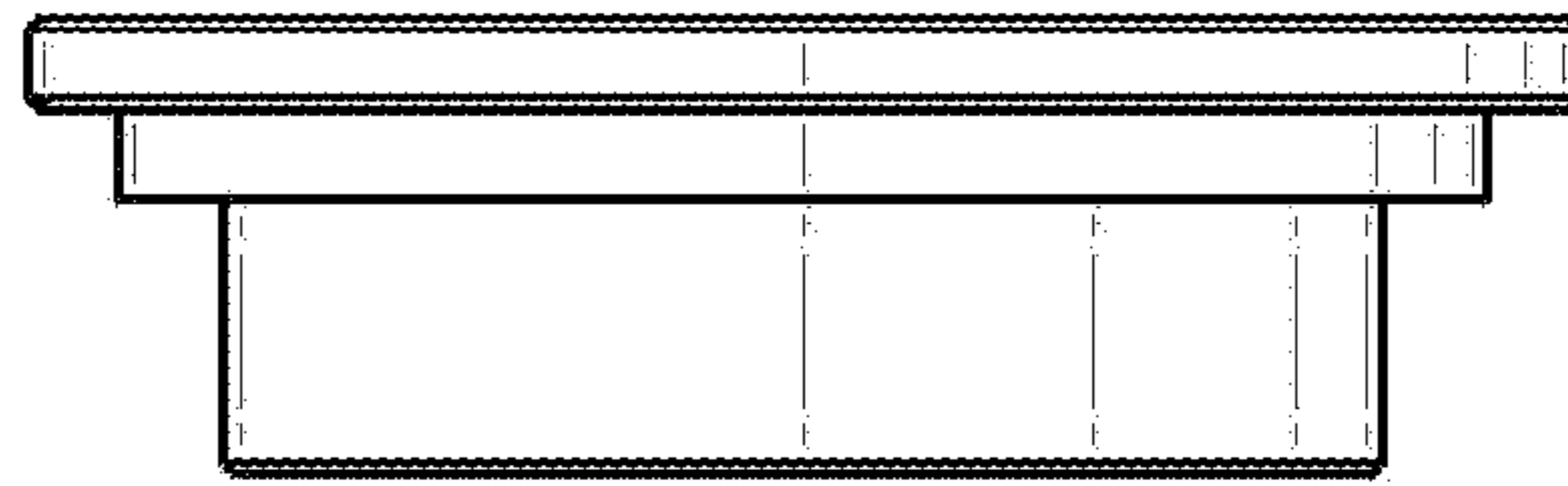


FIG. 12

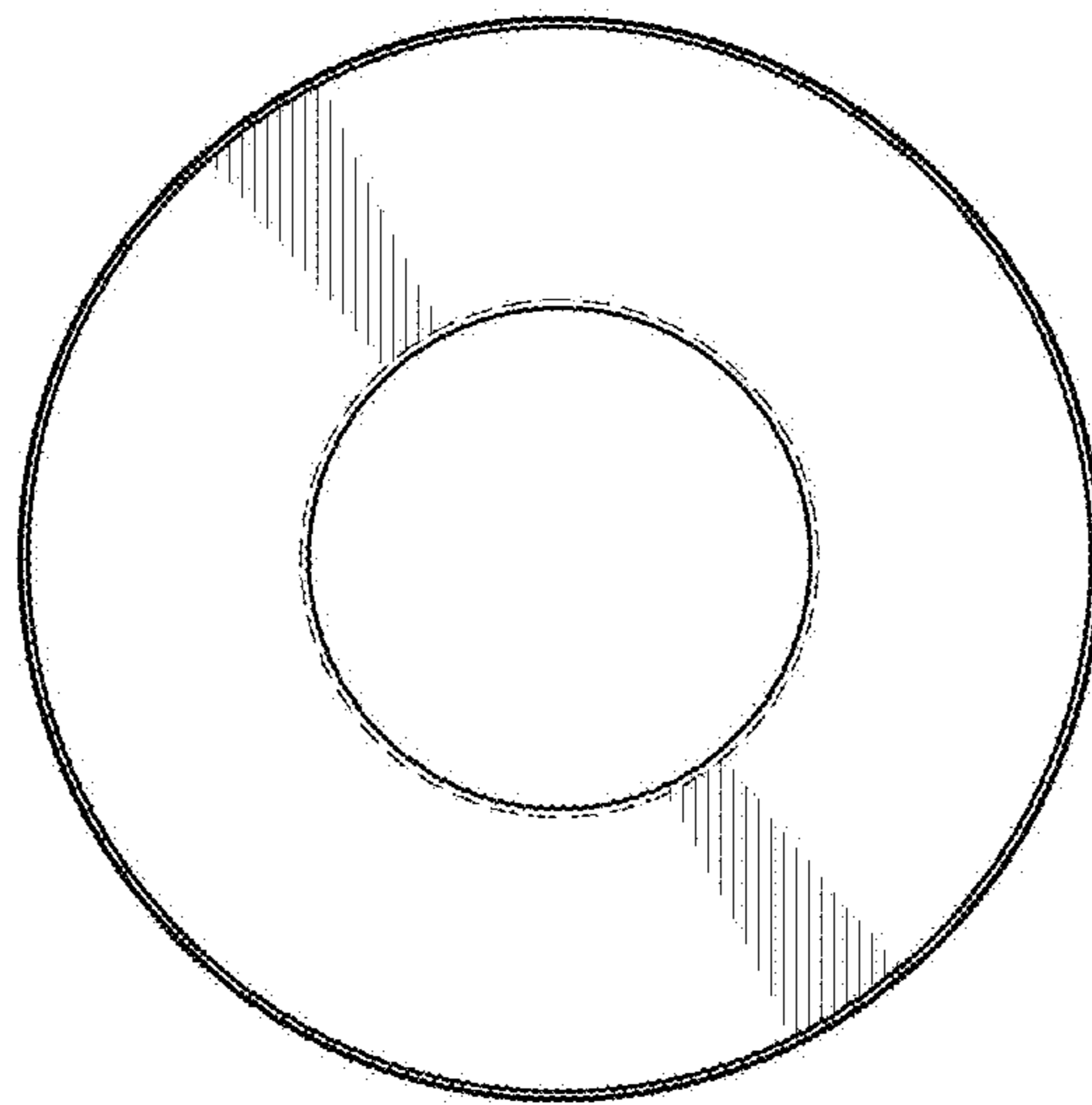


FIG. 13

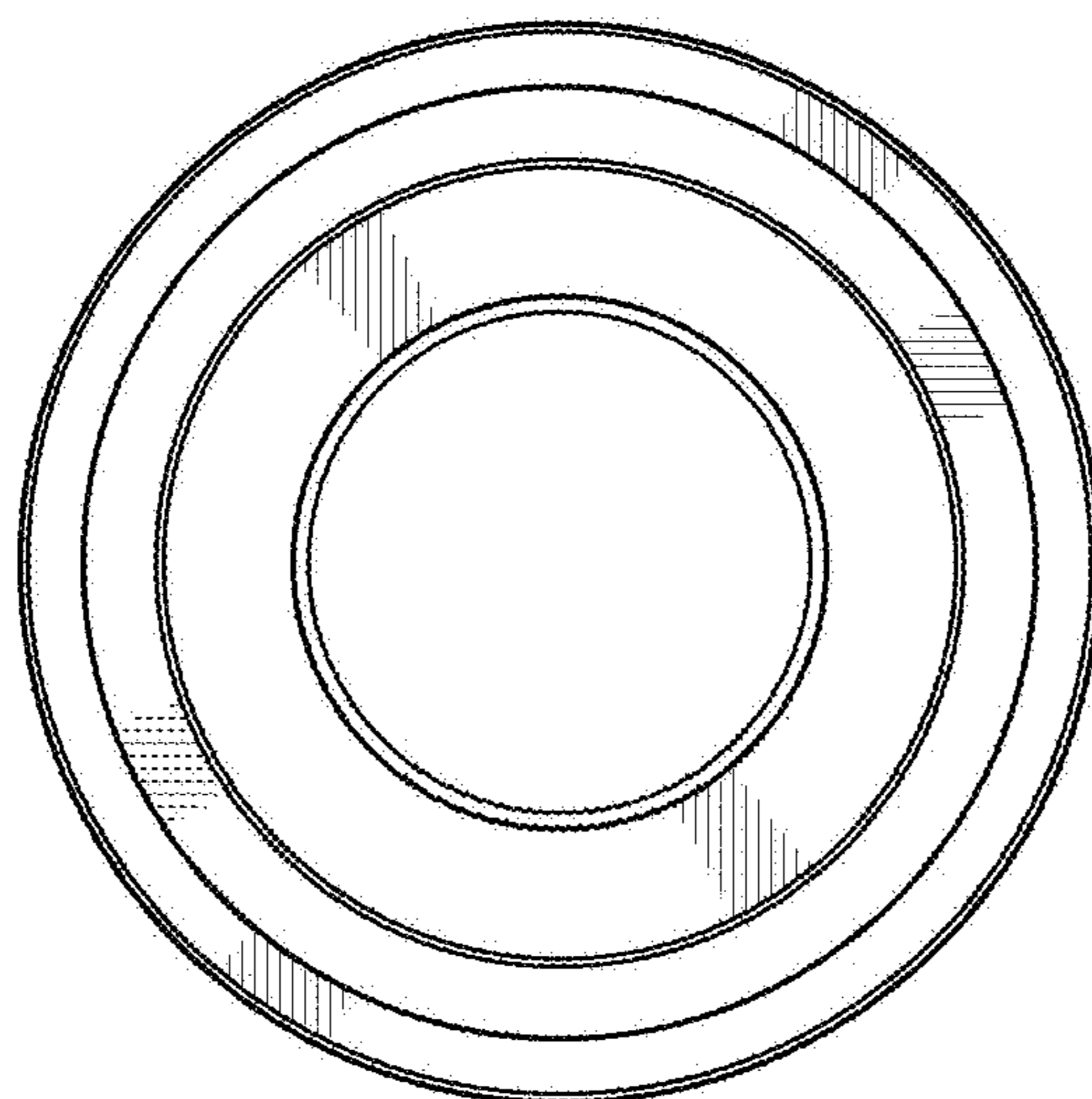


FIG. 14

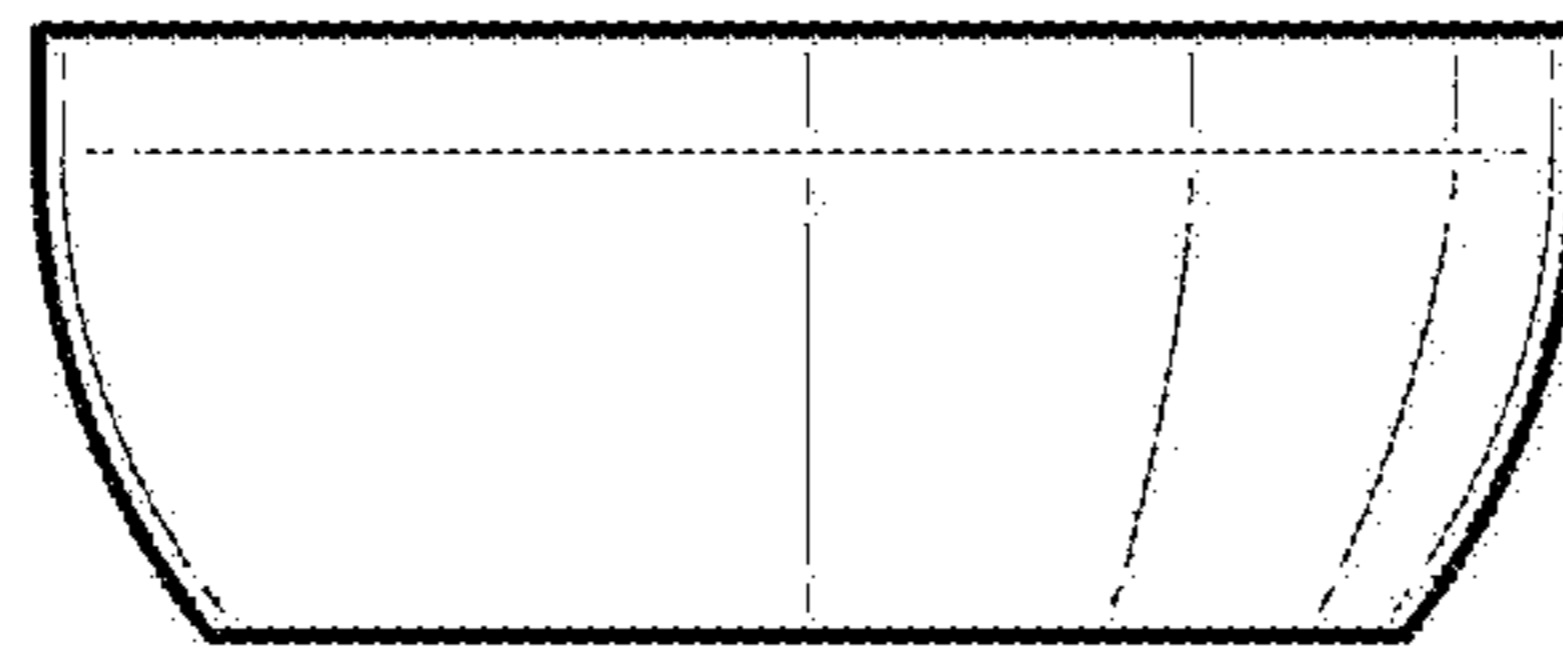


FIG. 15

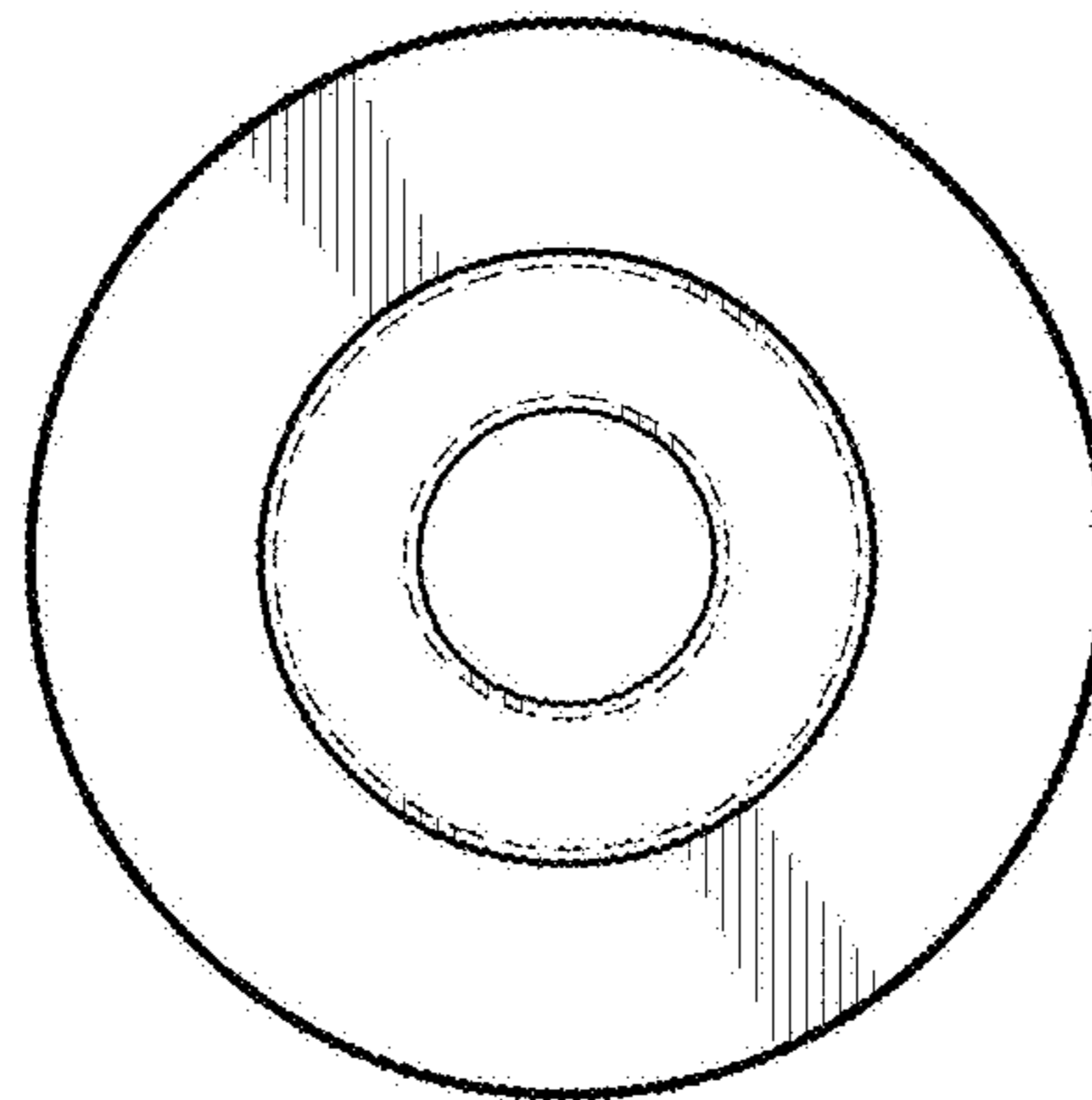


FIG. 16

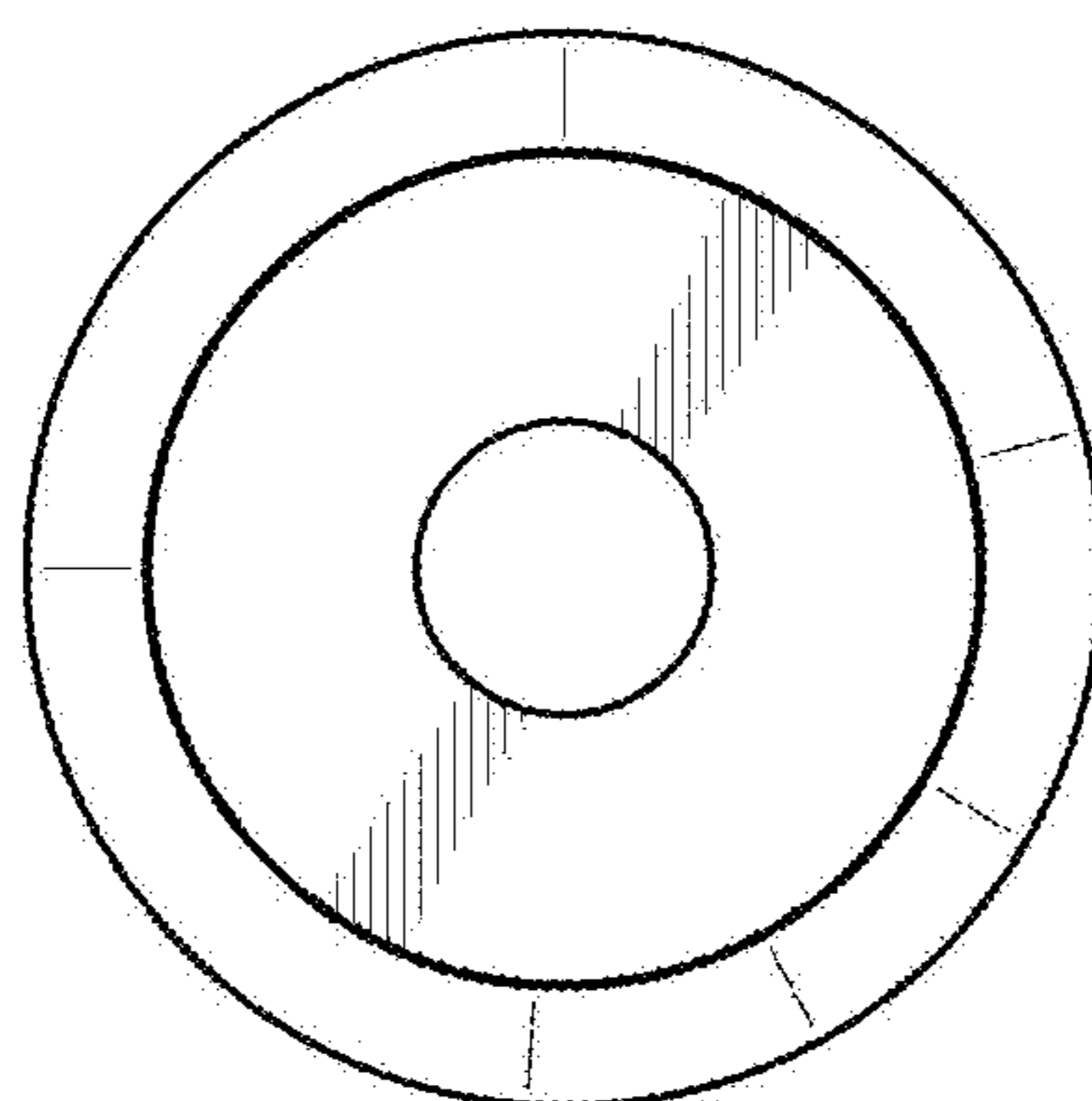


FIG. 17