



US00D952838S

(12) **United States Design Patent**
Jung et al.

(10) **Patent No.:** **US D952,838 S**
(45) **Date of Patent:** **** May 24, 2022**

(54) **DUAL SYRINGE CAP**

(71) Applicant: **DXM Co., Ltd.**, Goyang-si (KR)
(72) Inventors: **Du Rok Jung**, Goyang-si (KR);
Kyoung Soo Shin, Goyang-si (KR)

(73) Assignee: **DXM CO., LTD.**, Goyang-si (KR)

(**) Term: **15 Years**

(21) Appl. No.: **29/728,424**

(22) Filed: **Mar. 18, 2020**

(30) **Foreign Application Priority Data**

Oct. 31, 2019 (KR) 30-2019-0051888

(51) **LOC (13) Cl.** **24-02**

(52) **U.S. Cl.**
USPC **D24/127; D24/176**

(58) **Field of Classification Search**
USPC D24/127, 130, 112, 129, 110, 110.1,
D24/110.4, 110.5, 110.6, 164, 165, 152,
D24/176
CPC A61M 16/0833; A61M 39/10; A61M
39/1011; A61M 2039/1066; A61M
2039/1027

See application file for complete search history.

(56) **References Cited**

U.S. PATENT DOCUMENTS

D362,718 S * 9/1995 Deily D24/129
D365,876 S * 1/1996 Chawla D24/110
D410,733 S * 6/1999 Kan D23/233
D584,814 S * 1/2009 Provenzo D24/129
8,100,295 B2 * 1/2012 Keller B05C 17/00506
222/137
D691,257 S * 10/2013 Siew D24/110.1
D784,524 S * 4/2017 Corbin D24/127
D804,023 S * 11/2017 Huang D24/130

(Continued)

FOREIGN PATENT DOCUMENTS

CN 305979683 * 8/2020
EM 005271731-0001 * 7/2018
KR 300979811.0000 * 11/2018

OTHER PUBLICATIONS

Double cartridge 50 ml 1:1 dental, ESD shop, [Post date Dec. 31, 2020], [Site visited Sep. 9, 2021], Seen at URL: <https://www.esdshop.eu/dvojita-kartusa-50ml-11-dental/> (Year: 2020).*

(Continued)

Primary Examiner — Natasha Vujcic

Assistant Examiner — Gilbert B Ford

(74) *Attorney, Agent, or Firm* — Vorys, Sater, Seymour and Pease LLP; Mih Sunh Koh

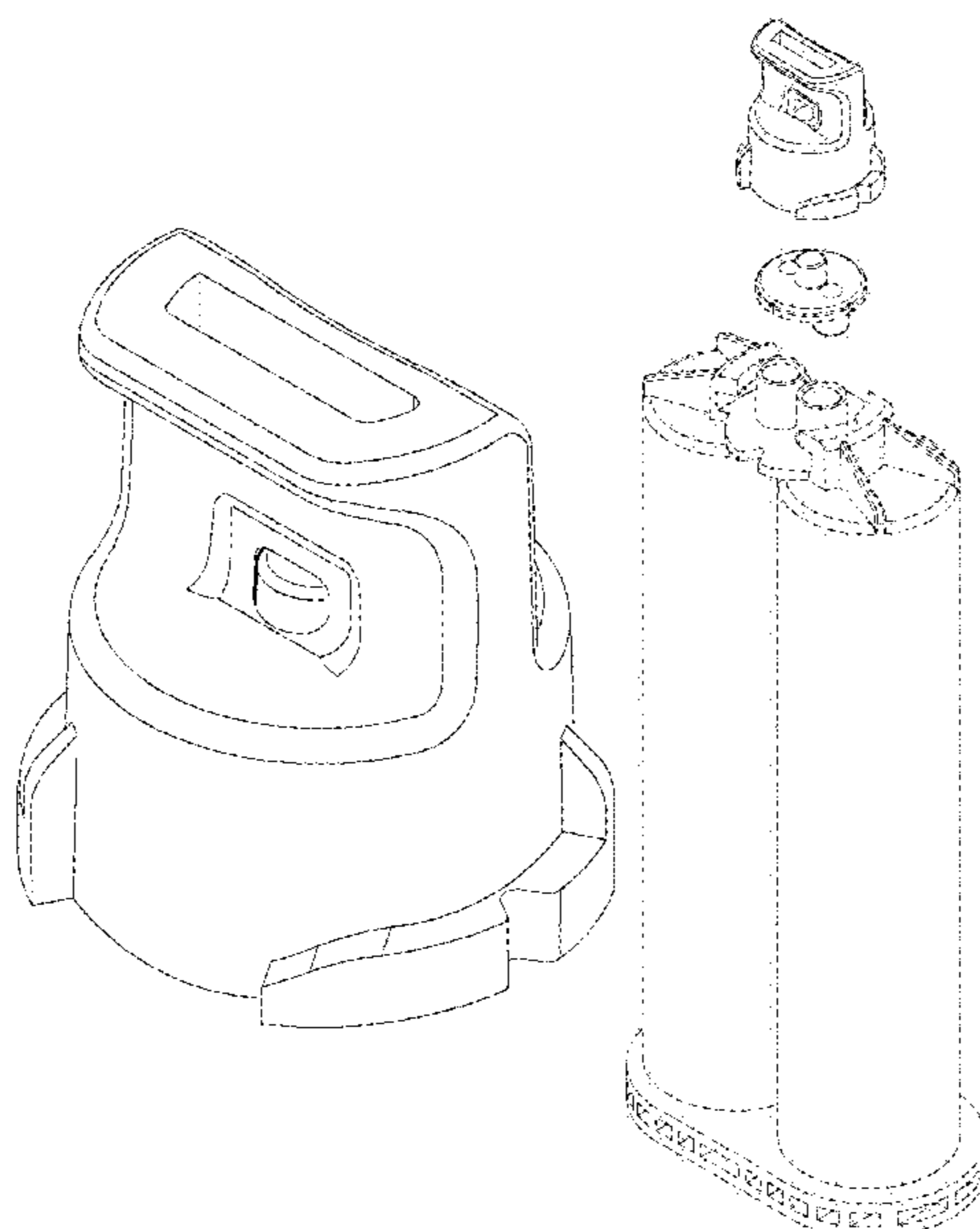
(57) **CLAIM**

The ornamental design for a dual syringe cap, as shown and described.

DESCRIPTION

FIG. 1 is a perspective view of a new design for a dual syringe cap;
FIG. 2 is a front elevational view thereof;
FIG. 3 is a rear elevational view thereof;
FIG. 4 is a left side elevational view thereof;
FIG. 5 is a right side elevational view thereof;
FIG. 6 is a top plan view thereof;
FIG. 7 is a bottom plan view thereof;
FIG. 8 is a rear perspective view thereof;
FIG. 9 is a bottom perspective view thereof; and,
FIG. 10 is an exploded perspective view, showing the state before the design is coupled to the upper part of a cartridge. The broken lines shown in the drawings illustrate unclaimed portions and form no part of the claimed design.

1 Claim, 11 Drawing Sheets



(56)

References Cited

U.S. PATENT DOCUMENTS

D816,834 S * 5/2018 Knight D24/130
D816,835 S * 5/2018 Knight D24/130
D821,586 S * 6/2018 Kile D24/176
D857,880 S * 8/2019 Lau D24/110
D861,162 S * 9/2019 Gulliver D24/129
D865,166 S * 10/2019 Avuthu D24/130
D928,948 S * 8/2021 Gulliver D24/129
D928,949 S * 8/2021 Gulliver D24/129
2009/0230214 A1 * 9/2009 Keller B05B 7/0408
239/338
2017/0209645 A1 * 7/2017 Kojima A61M 5/19

OTHER PUBLICATIONS

Impression Dual Cartridges 5ml /50ml, DXM, [Post date unknown],
[Site viisted Sep. 9, 2021], Seen at URL: [https://dxm.co.kr/products/
cartridges.html](https://dxm.co.kr/products/cartridges.html) (Year: 2021).*

* cited by examiner

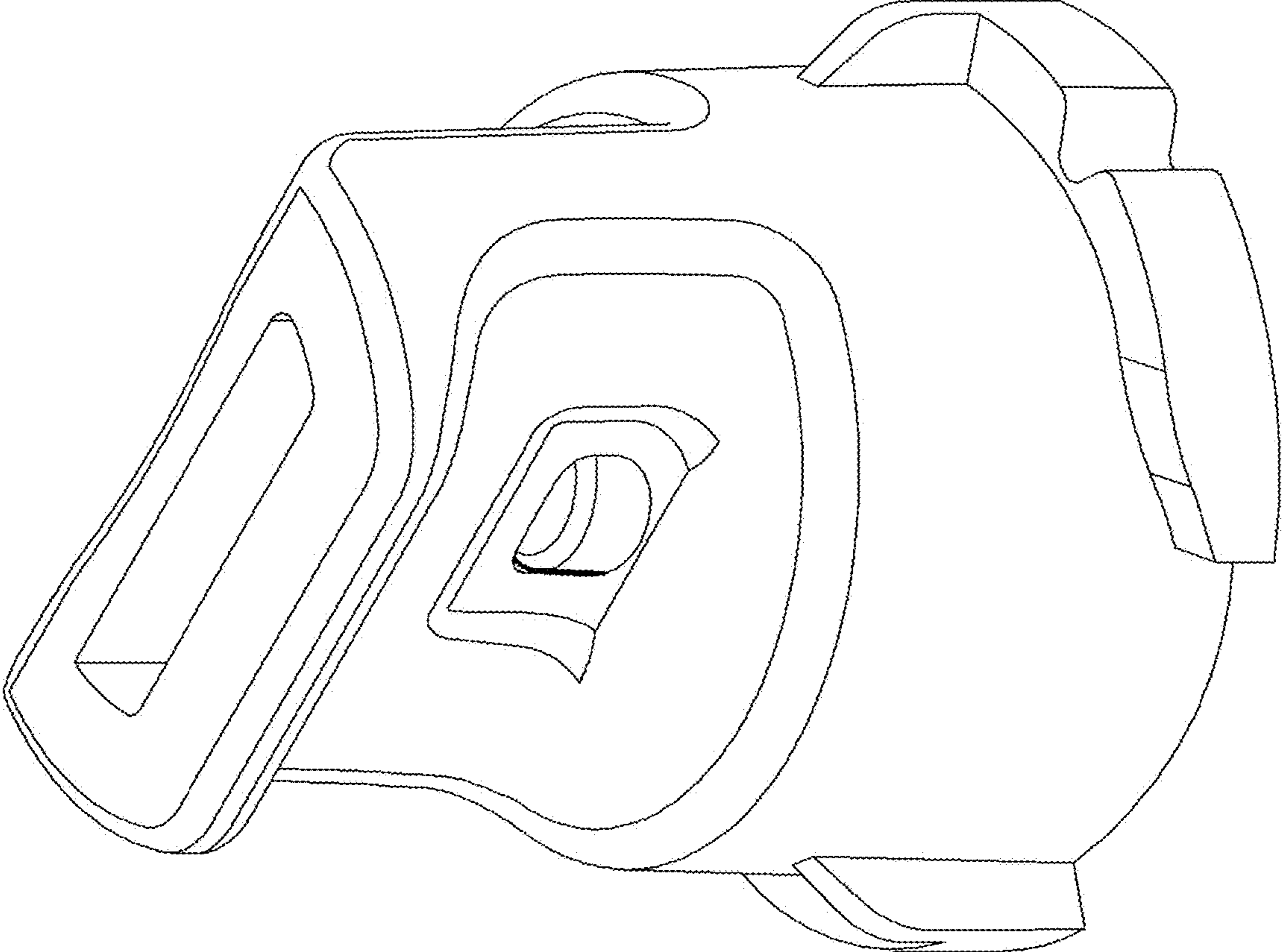


FIG. 1

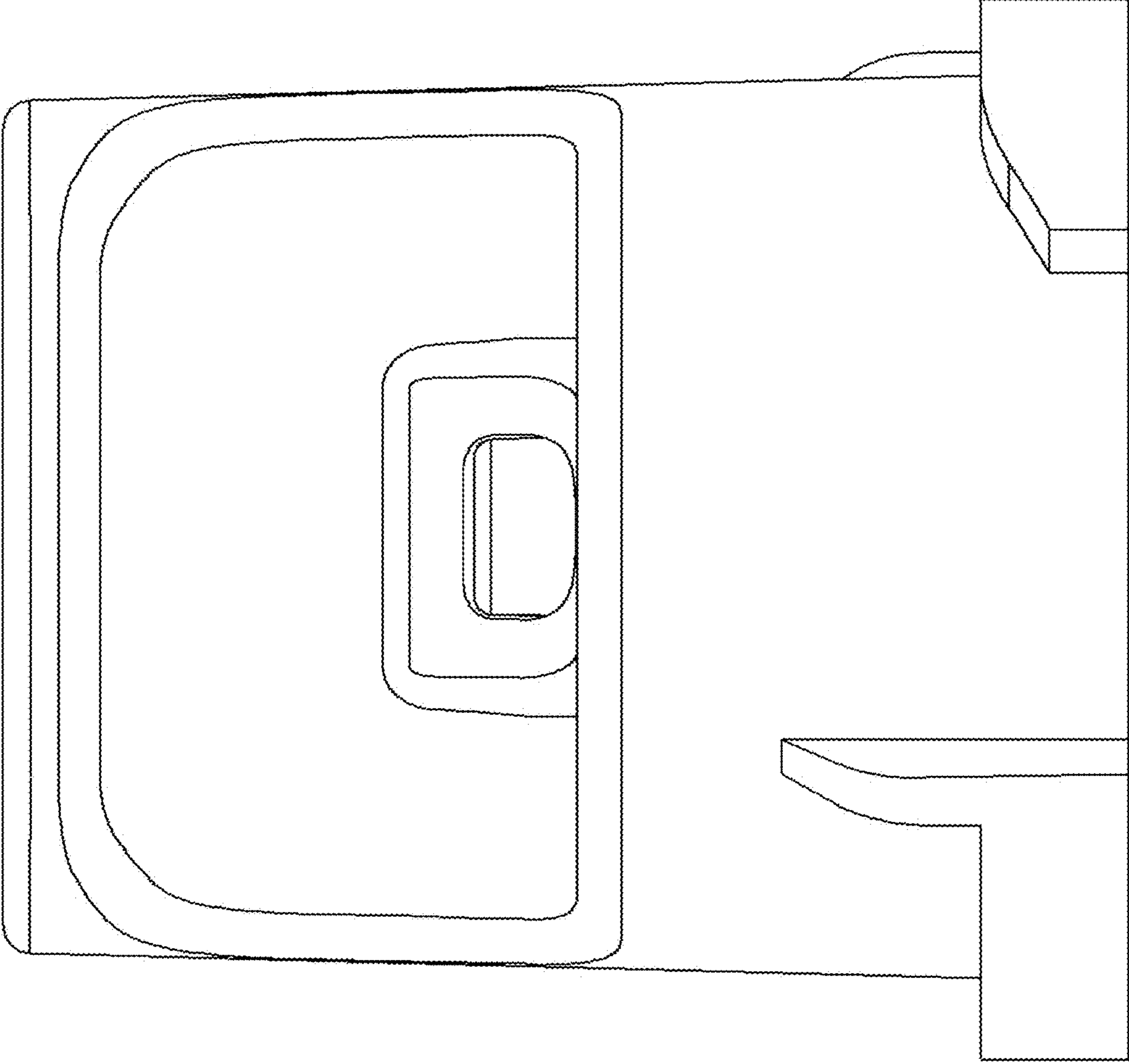


FIG. 2

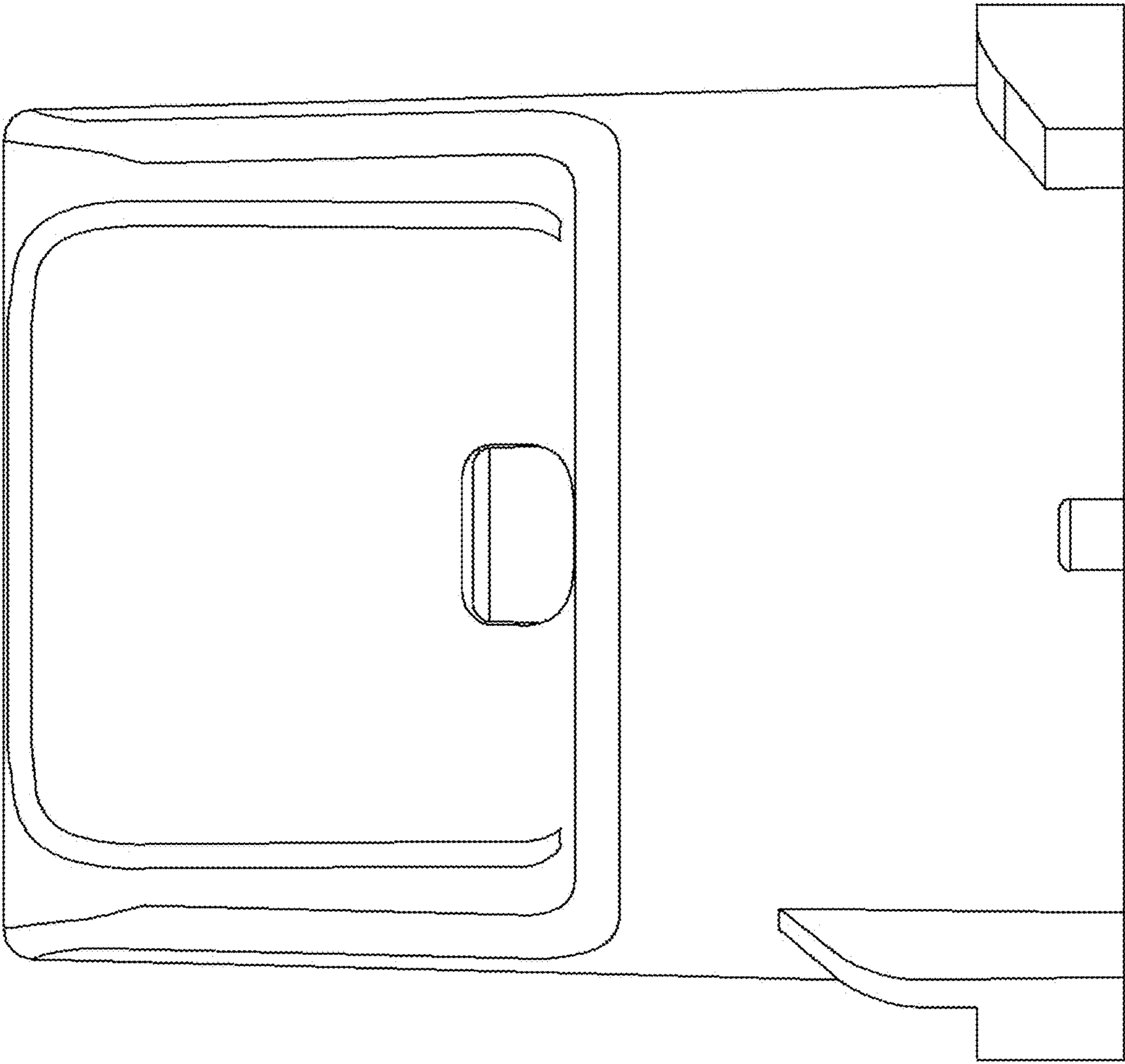


FIG. 3

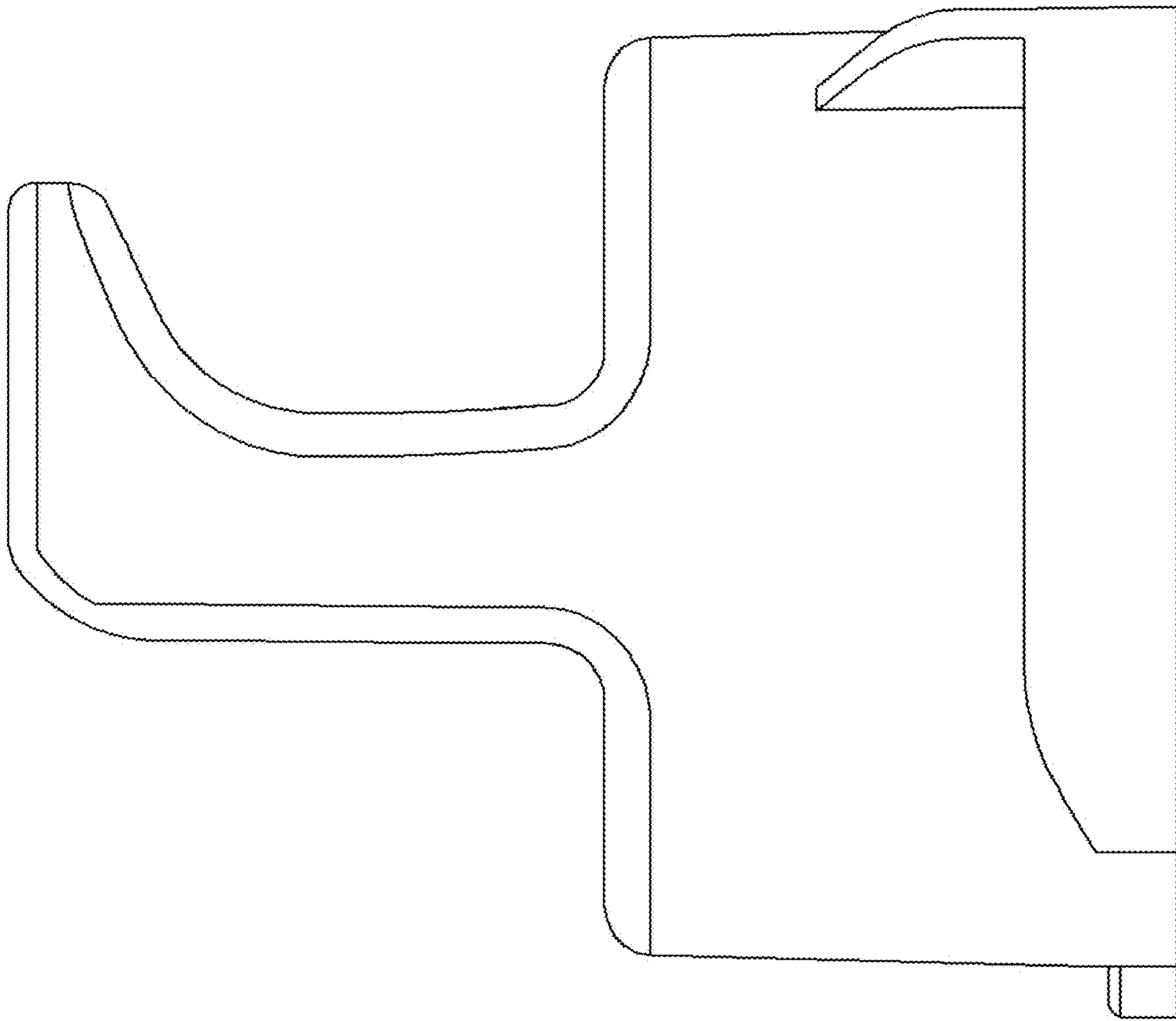


FIG. 4

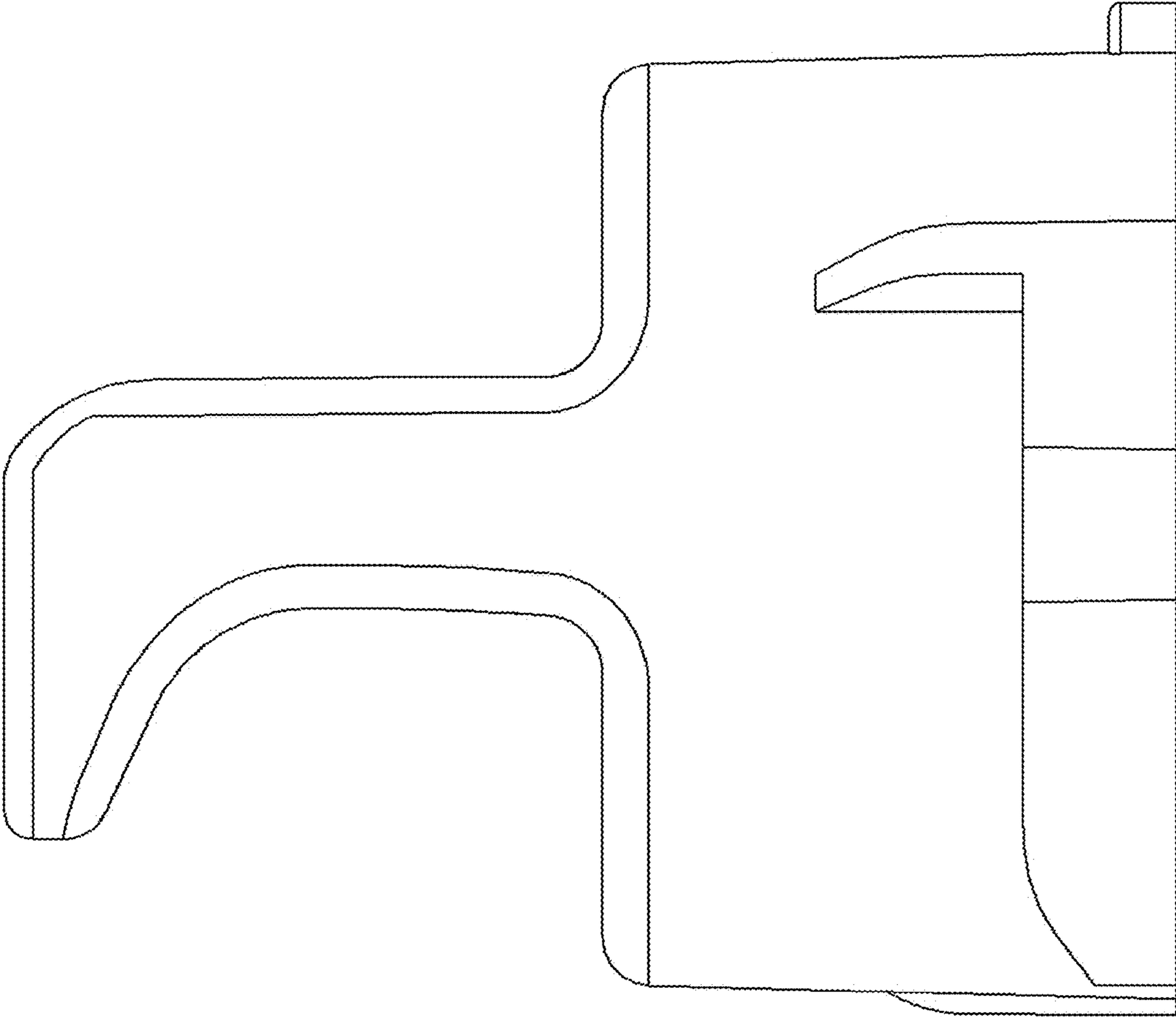


FIG. 5

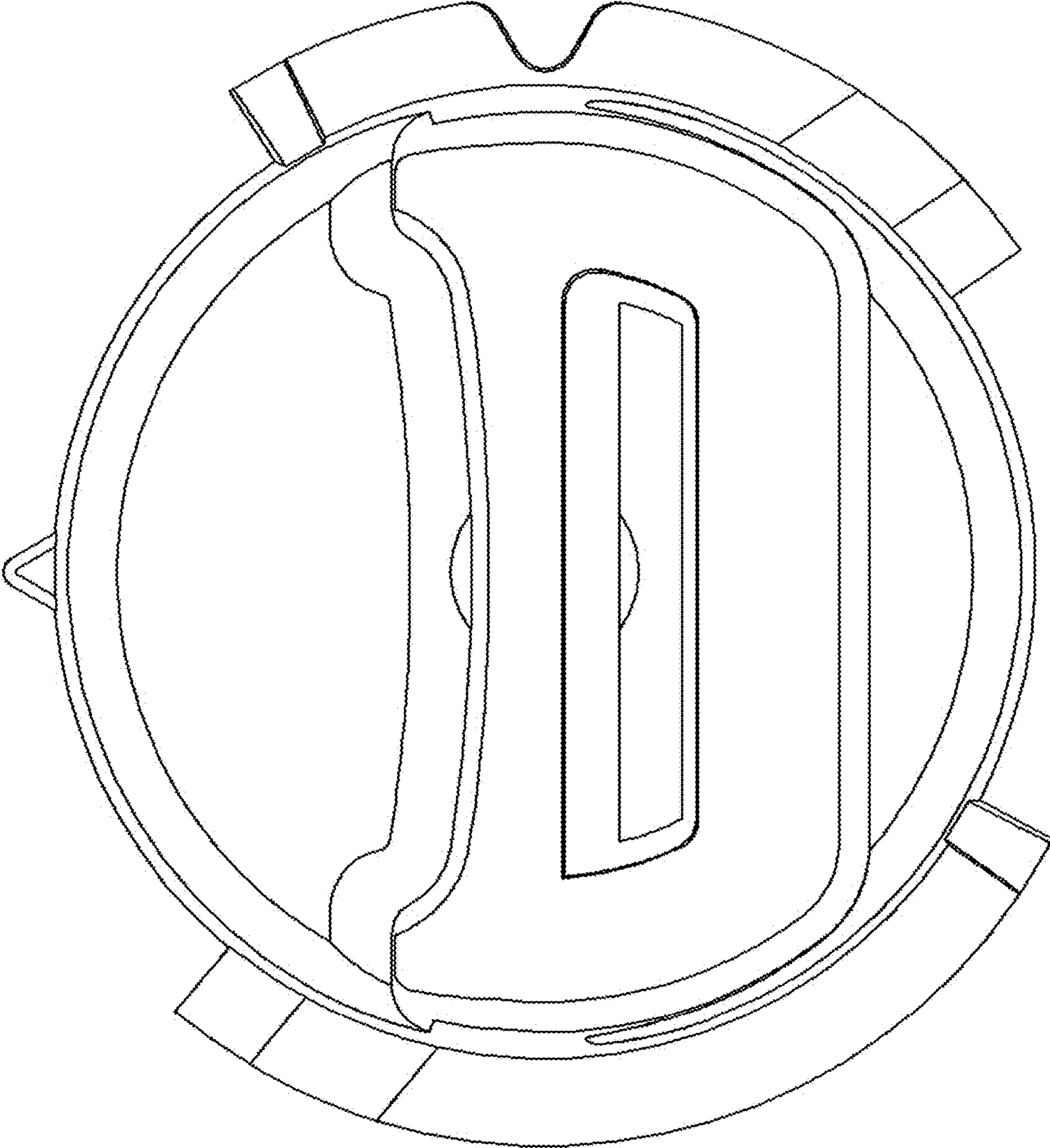


FIG. 6

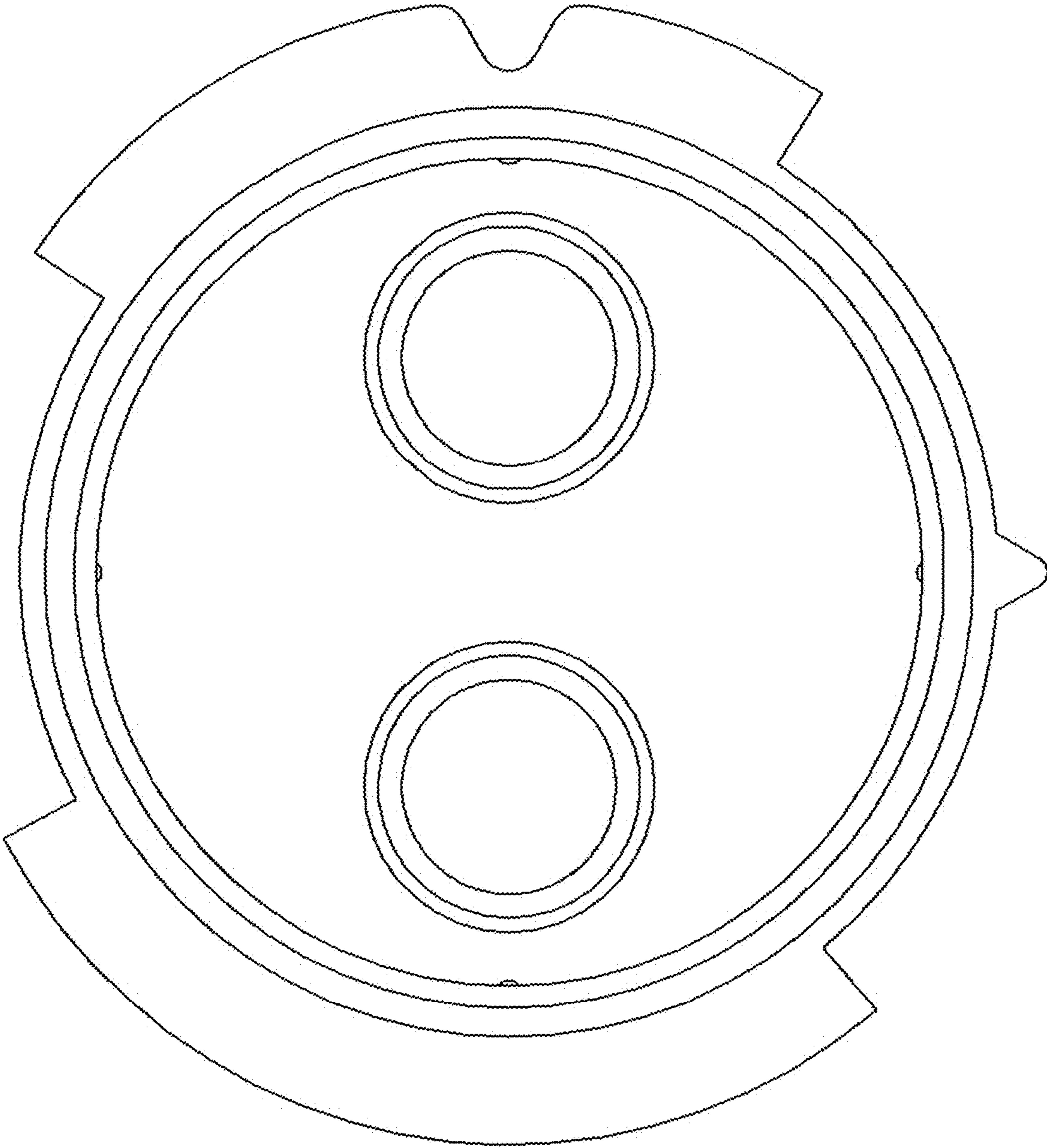


FIG. 7

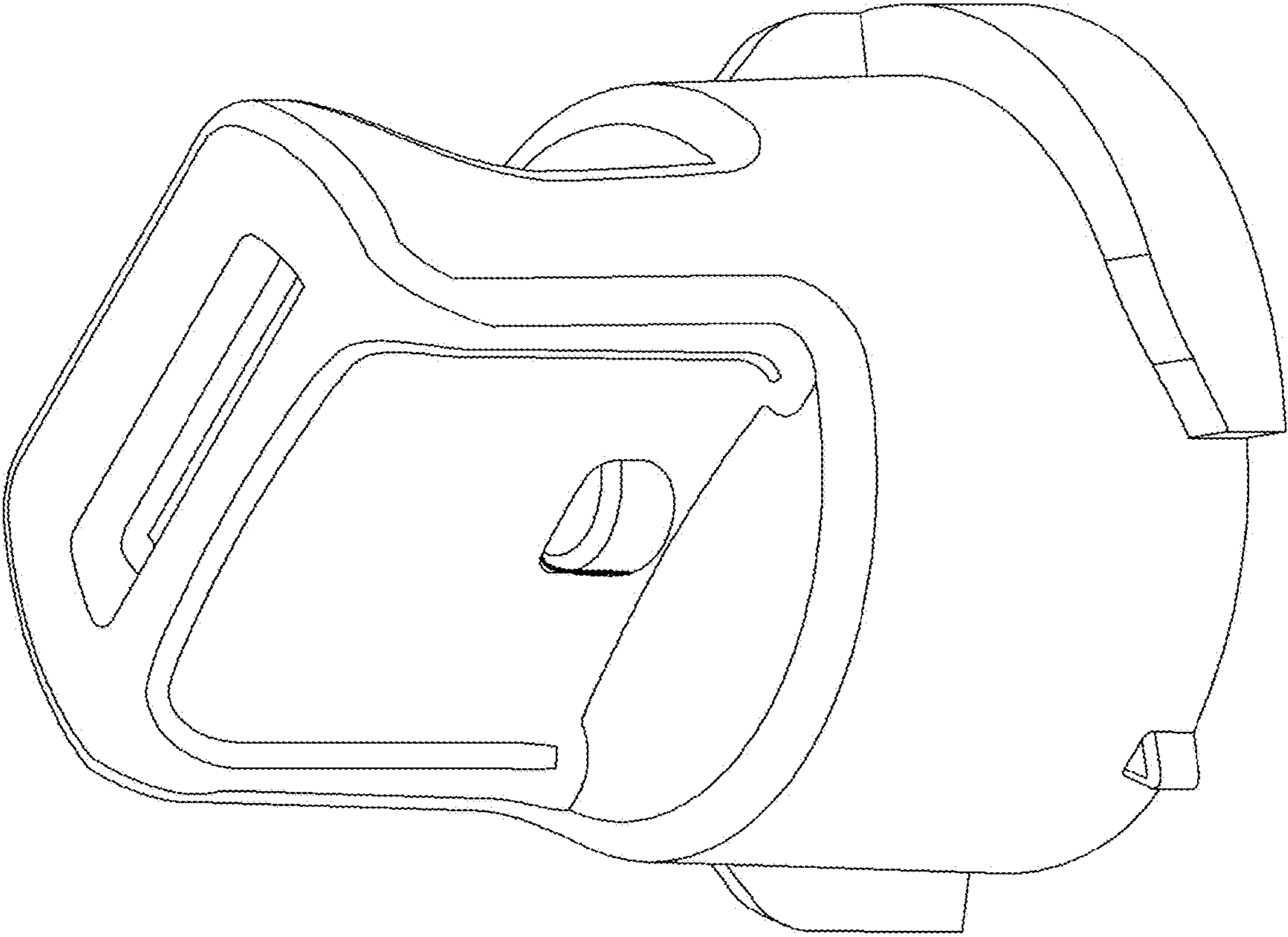


FIG. 8

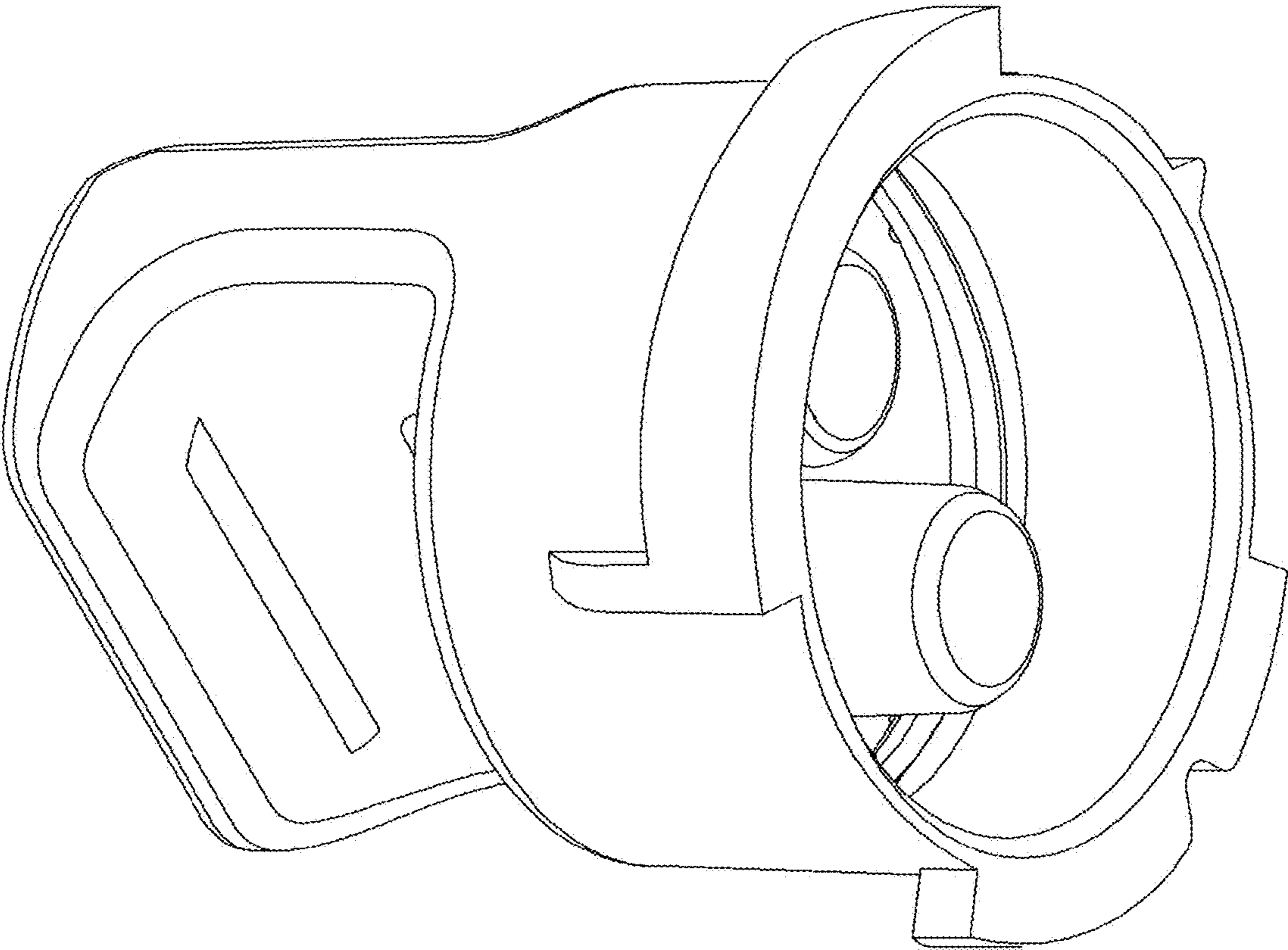


FIG. 9

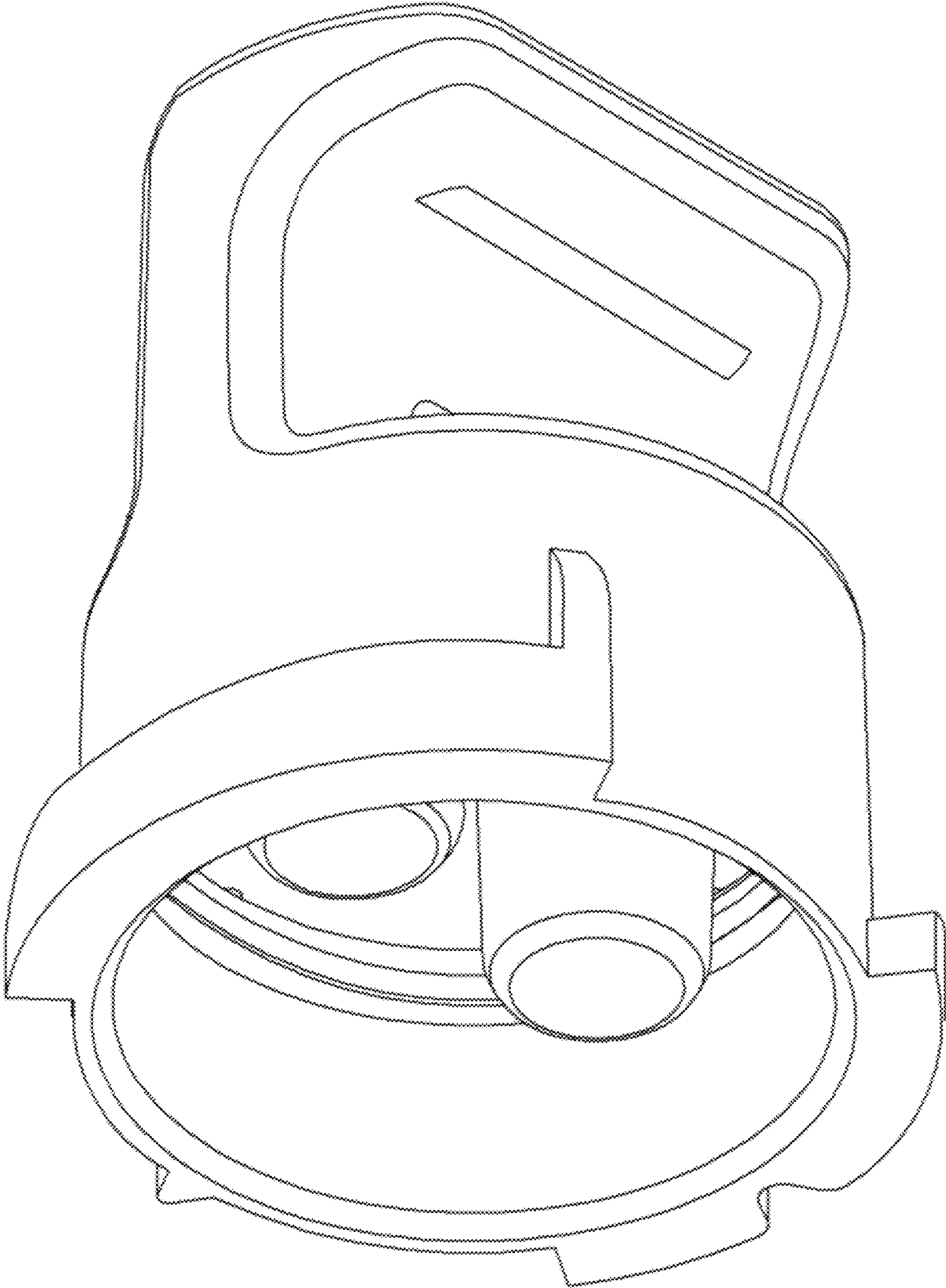


FIG. 9

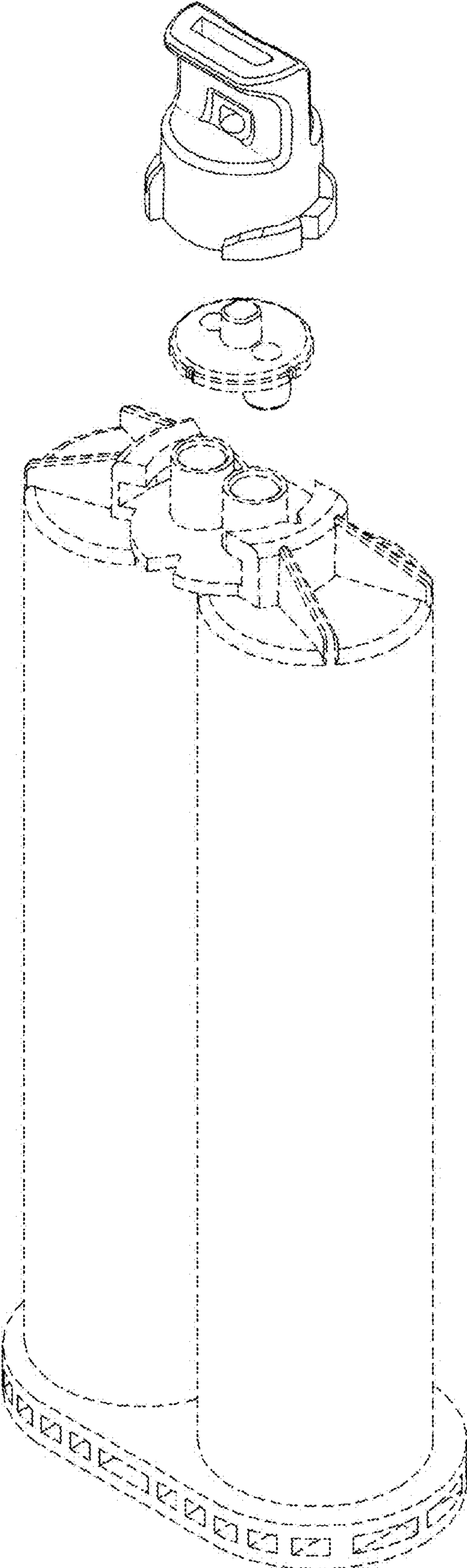


FIG. 10