



US00D952833S

(12) **United States Design Patent** (10) **Patent No.:** **US D952,833 S**  
**Senff et al.** (45) **Date of Patent:** **\*\* May 24, 2022**

(54) **ORAL IRRIGATOR BASE**  
(71) Applicant: **WATER PIK, INC.**, Fort Collins, CO (US)  
(72) Inventors: **Oscar Senff**, Broomfield, CO (US);  
**Jeffrey Ladwig**, Seattle, WA (US);  
**Adam Weisgerber**, Shoreline, WA (US)  
(73) Assignee: **WATER PIK, INC.**, Fort Collins, CO (US)

D829,886 S \* 10/2018 Massie ..... D24/111  
D832,418 S \* 10/2018 Porter ..... D24/111  
D832,420 S \* 10/2018 Porter ..... D24/111  
D834,180 S \* 11/2018 Porter ..... D24/111  
D857,881 S \* 8/2019 Massie ..... D24/111  
D889,636 S \* 7/2020 Senff ..... D24/111  
D893,017 S \* 8/2020 Porter ..... D24/111  
D907,196 S \* 1/2021 Ross ..... D24/111  
D912,241 S \* 3/2021 Senff ..... D24/111

(Continued)

(\*\*) Term: **15 Years**

KR 3010575510002 \* 7/2020

(21) Appl. No.: **29/816,764**

**OTHER PUBLICATIONS**

(22) Filed: **Nov. 24, 2021**

Waterpik Ion Cordless Water Flosser WF-11. Walmart. Oldest review date: Jan. 17, 2021. Retrieval date: Dec. 15, 2021. Retrieved from internet: <https://www.walmart.com/ip/Waterpik-Ion-Cordless-Water-Flosser-WF-11/276677268> (Year: 2021).\*

**Related U.S. Application Data**

(63) Continuation of application No. 29/770,118, filed on Feb. 19, 2021, which is a continuation of application No. 29/705,391, filed on Sep. 11, 2019, now Pat. No. Des. 913,485.

*Primary Examiner* — Lilyana Bekic

*Assistant Examiner* — Lee D. Starr

(51) **LOC (13) Cl.** ..... **28-03**

(74) *Attorney, Agent, or Firm* — Dorsey & Whitney LLP

(52) **U.S. Cl.**  
USPC ..... **D24/111**

(57) **CLAIM**

(58) **Field of Classification Search**  
USPC ..... D24/111, 108, 112–115, 117, 152, 176;  
D4/100, 101  
CPC ..... A61C 17/00; A61C 17/005; A61C 17/02;  
A61C 17/0202; A61C 17/0205; A61C  
17/0211; A61C 17/16; A61C 17/22; A61C  
17/222; A61C 17/225; A61C 17/227;  
A61C 17/28; A61C 17/32; A61C 17/34;  
A61C 17/36

We claim the ornamental design for an oral irrigator base, as shown and described.

See application file for complete search history.

**DESCRIPTION**

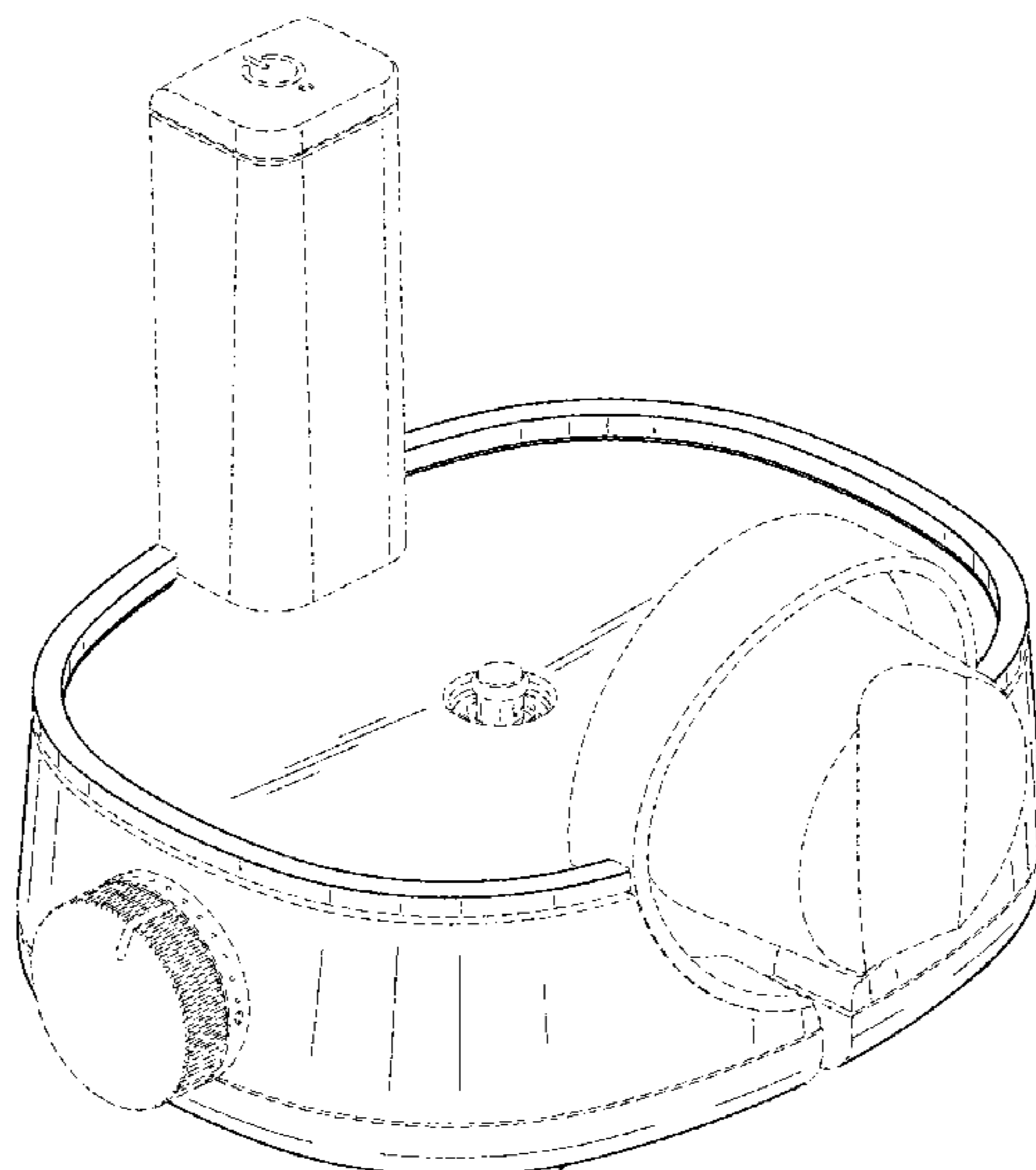
(56) **References Cited**

**U.S. PATENT DOCUMENTS**

D426,633 S \* 6/2000 Bachman ..... D24/111  
D714,929 S \* 10/2014 Kim ..... D24/111

FIG. 1 is a front isometric view of an oral irrigator base. FIG. 2 is a front elevation view thereof. FIG. 3 is a rear elevation view thereof. FIG. 4 is a left side elevation view thereof. FIG. 5 is a right side elevation view thereof. FIG. 6 is a top plan view thereof; and, FIG. 7 is a bottom plan view thereof. The broken lines illustrate portions of the oral irrigator base that form no part of the claimed design.

**1 Claim, 7 Drawing Sheets**



(56)

**References Cited**

U.S. PATENT DOCUMENTS

D913,485 S \* 3/2021 Senff ..... D24/111  
D936,210 S \* 11/2021 Yu ..... D24/111  
2020/0268494 A1\* 8/2020 Senff ..... A61Q 11/00  
2021/0338376 A1\* 11/2021 Senff ..... H01H 13/023

\* cited by examiner

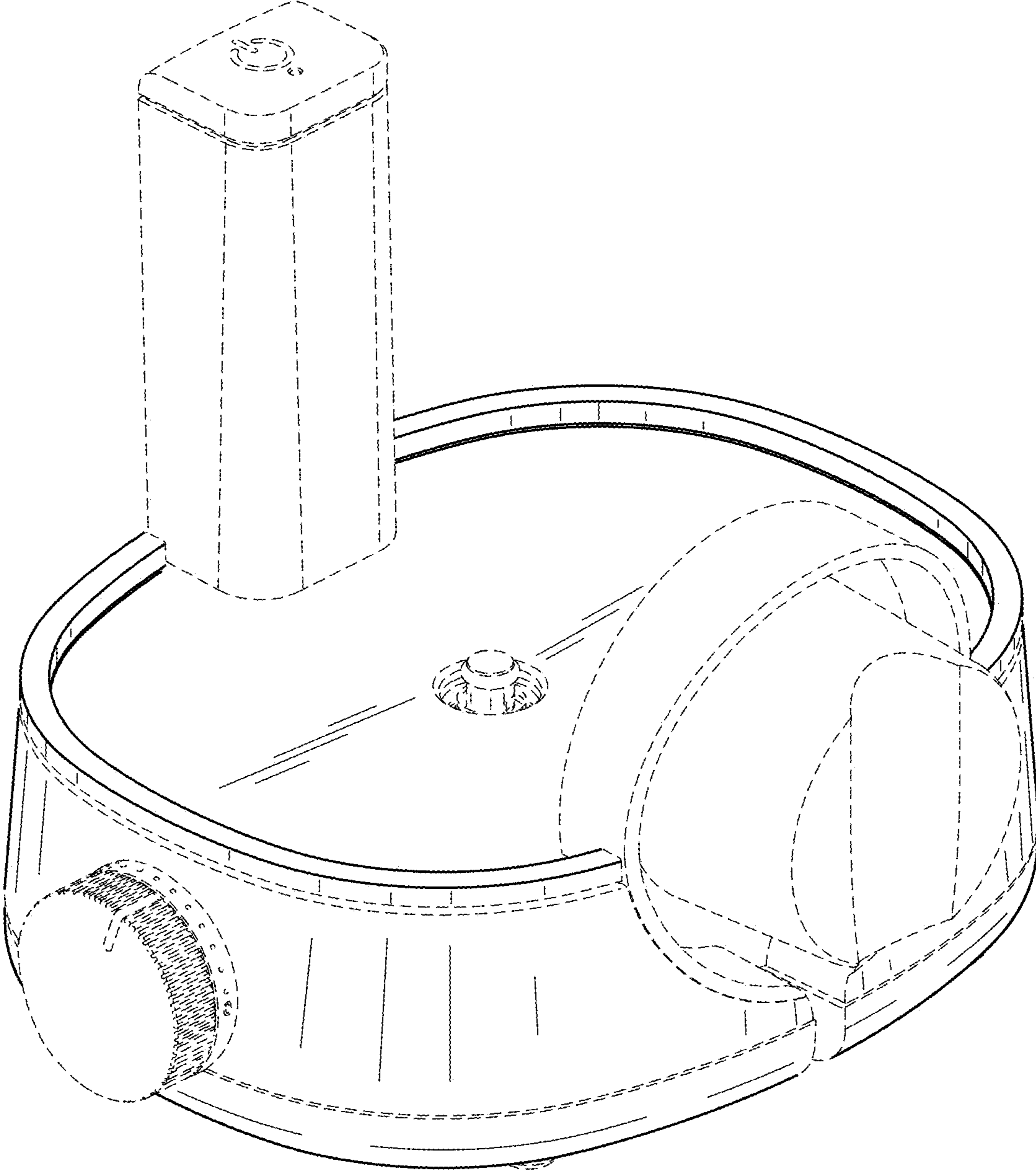


FIG. 1

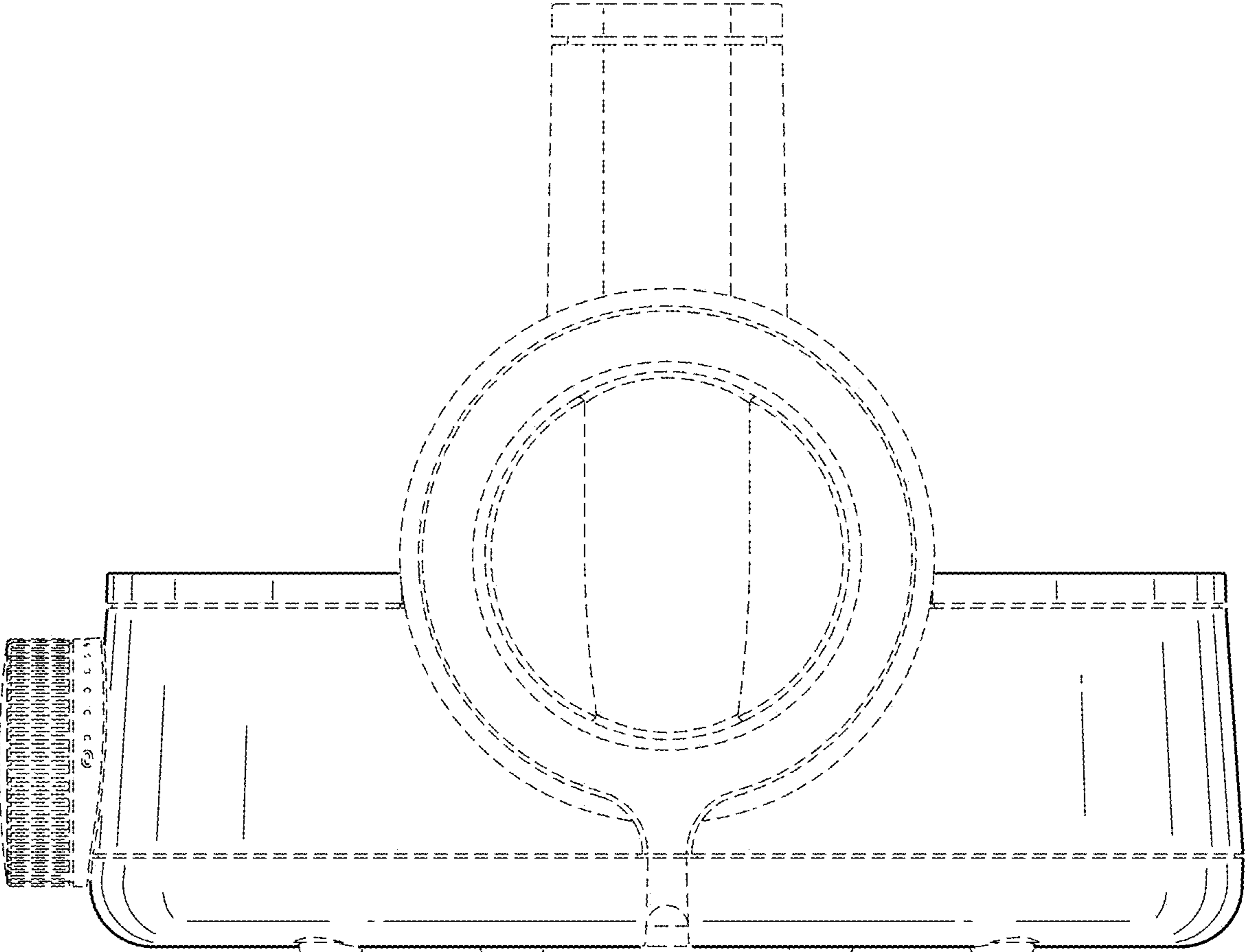


FIG. 2

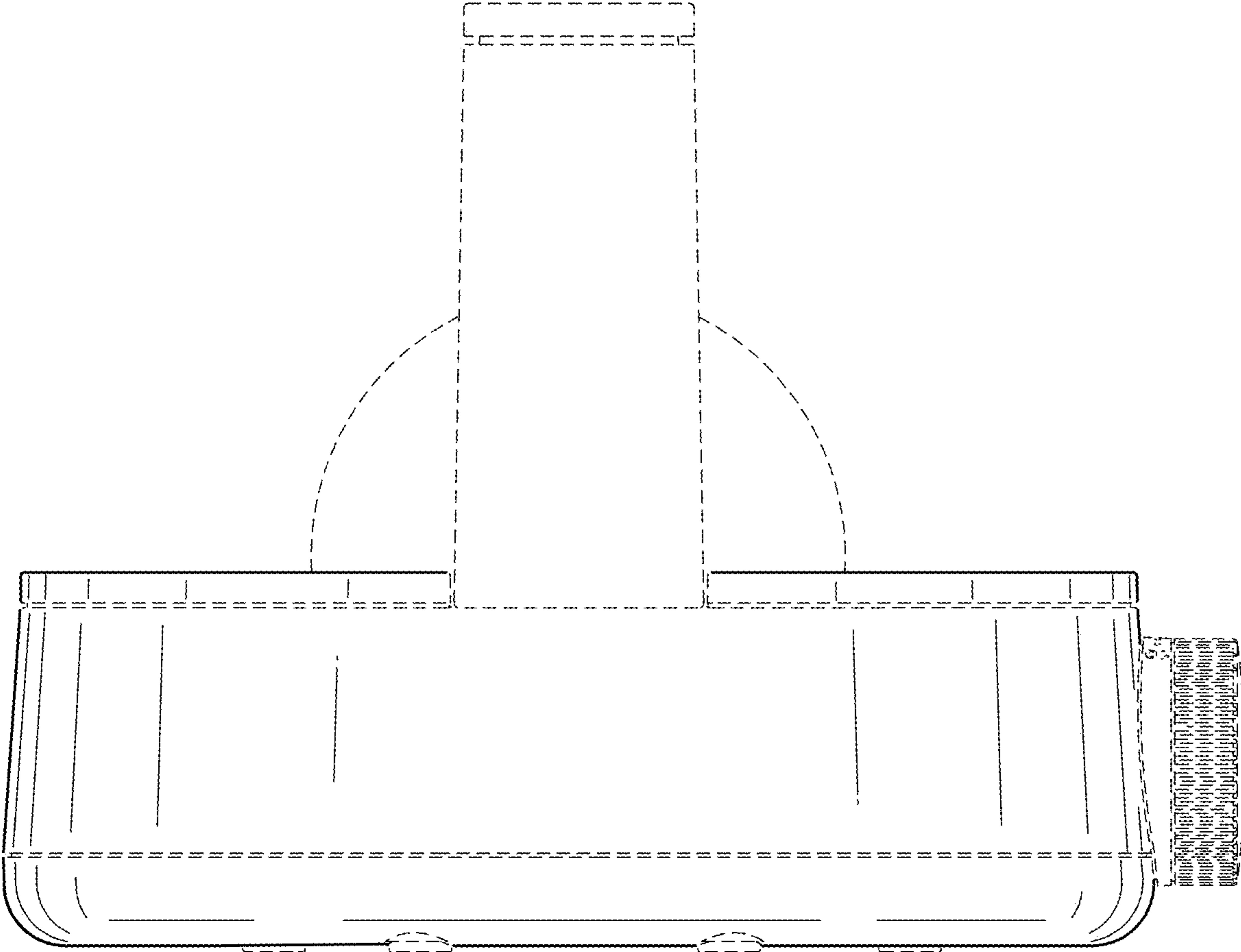


FIG. 3

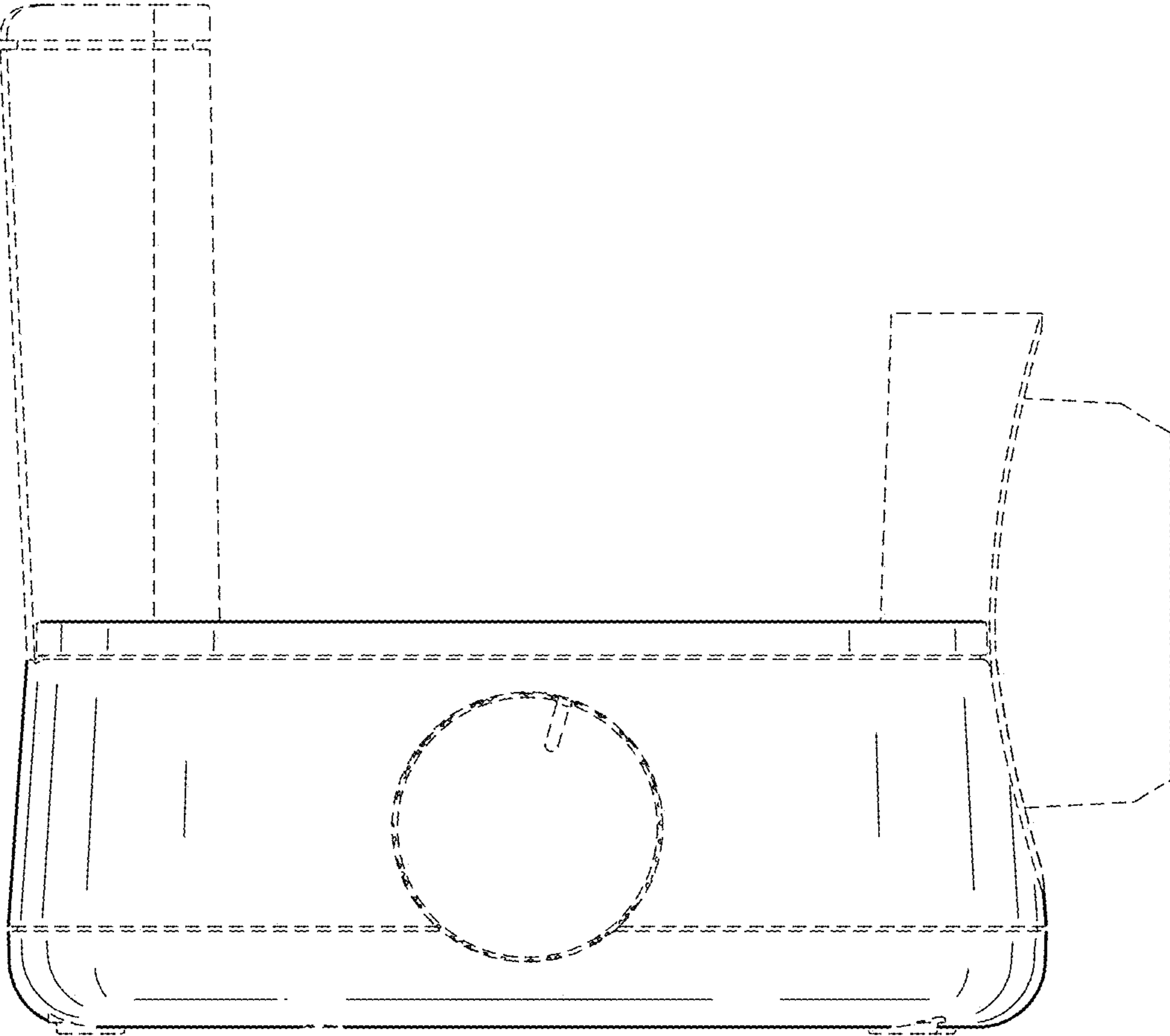


FIG. 4

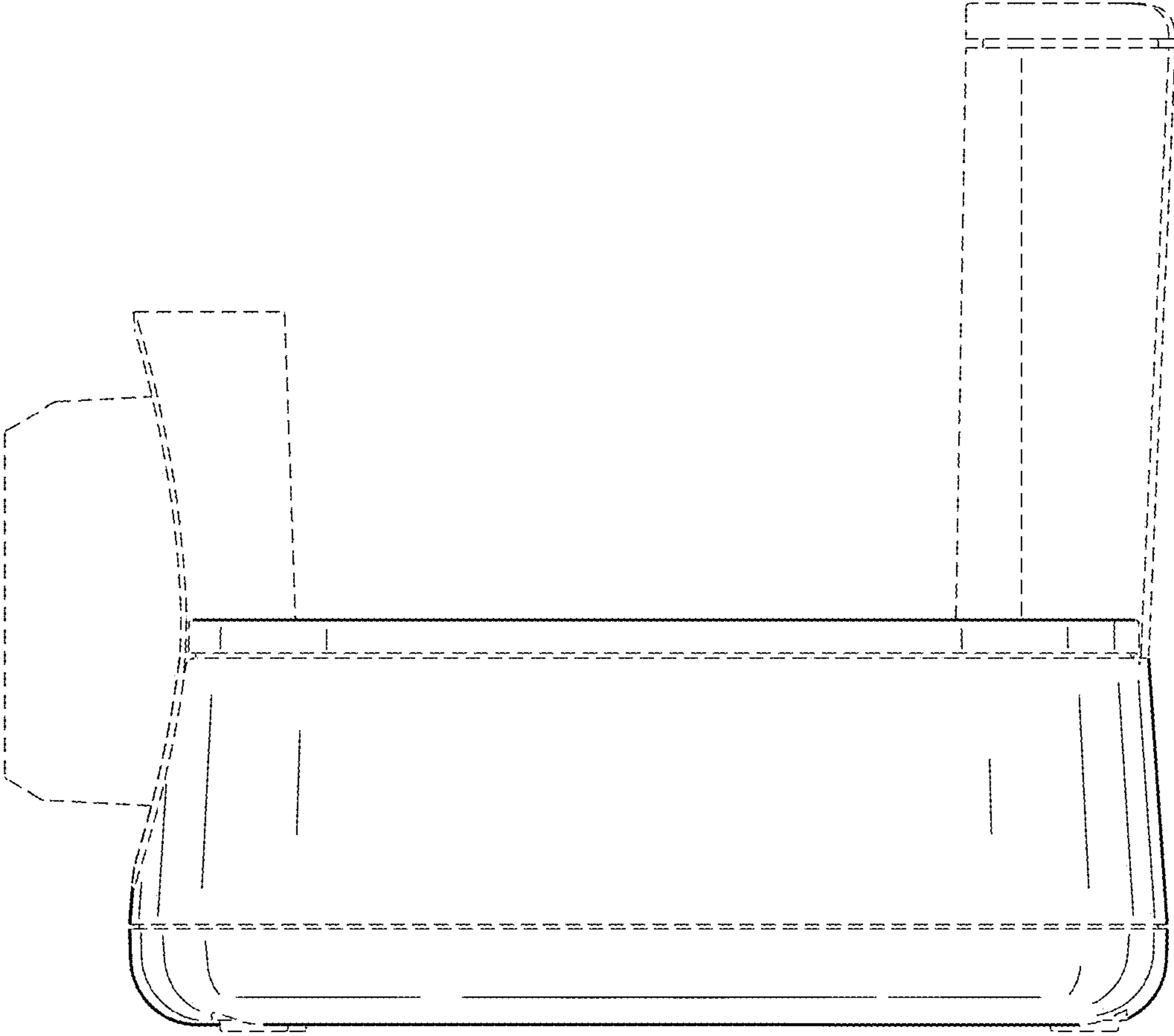


FIG. 5

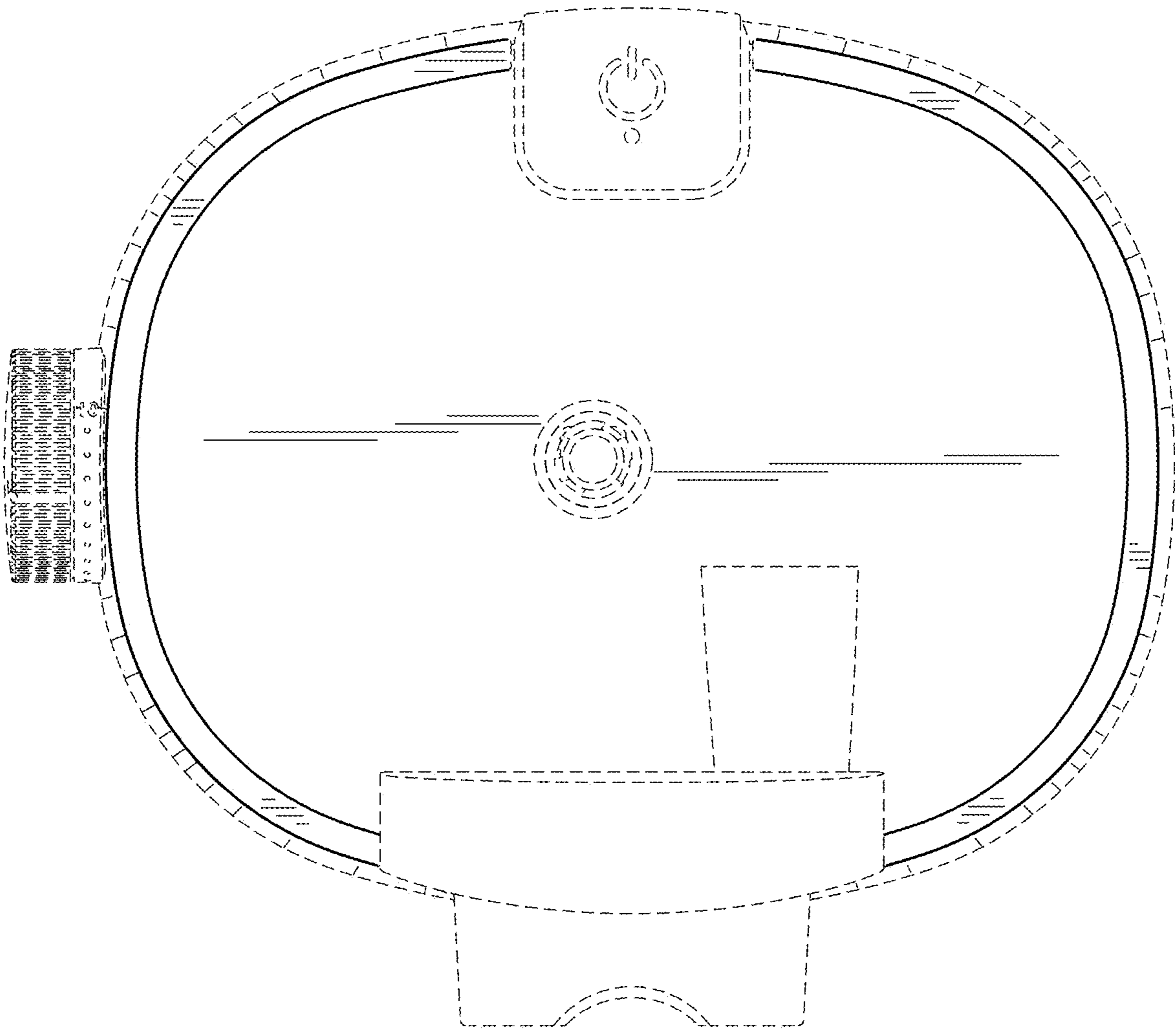


FIG. 6



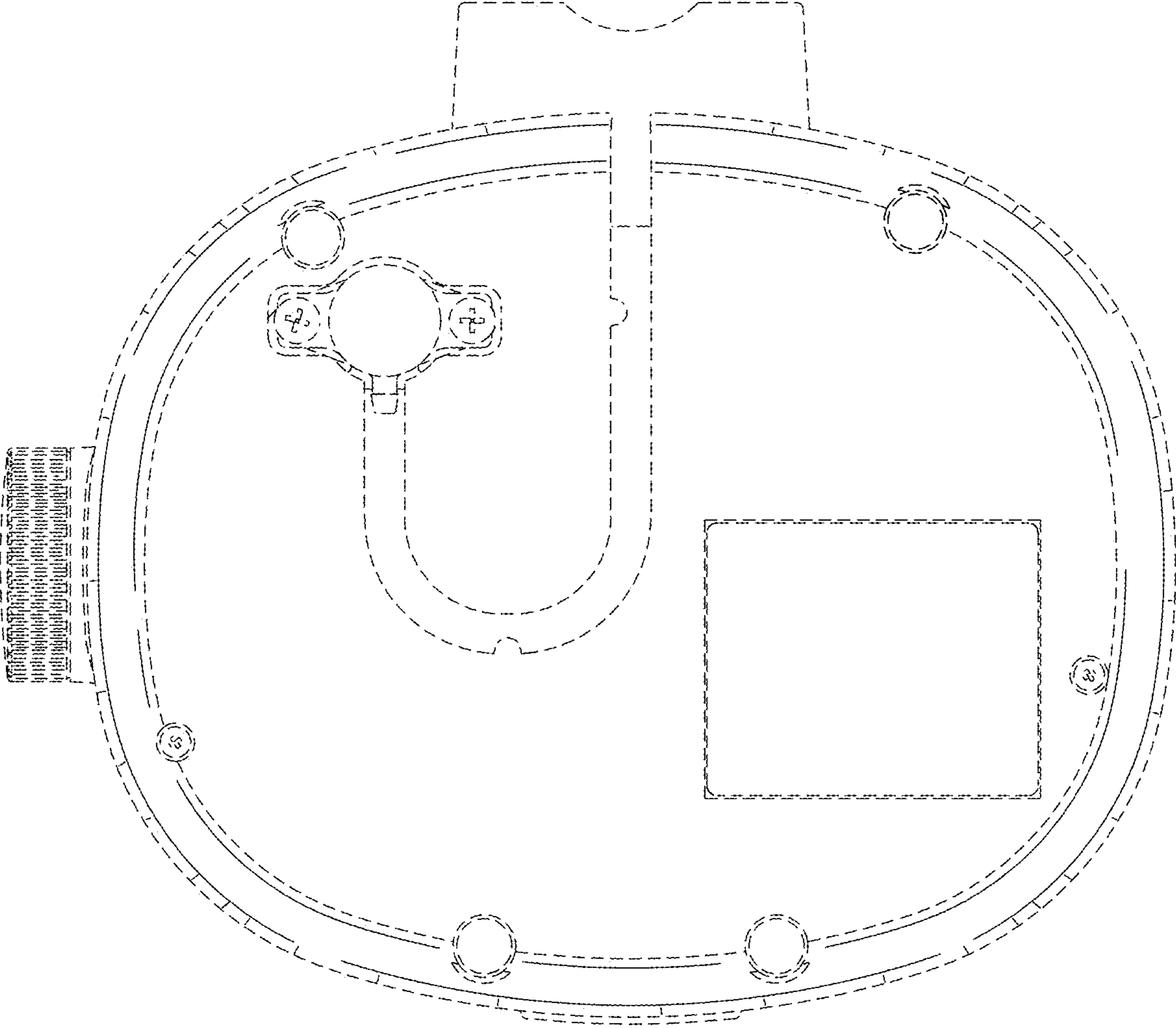


FIG. 7