



US00D952831S

(12) **United States Design Patent**
Chenal

(10) **Patent No.:** **US D952,831 S**

(45) **Date of Patent:** **** May 24, 2022**

(54) **EARPIECE APPARATUS**

(71) Applicant: **JMJ Holdings, LLC**, Frederic, WI (US)

(72) Inventor: **David M. Chenal**, Frederic, WI (US)

(73) Assignee: **JMJ Holdings, LLC**, Frederic, WI (US)

(**) Term: **15 Years**

(21) Appl. No.: **29/780,178**

(22) Filed: **Apr. 22, 2021**

(51) **LOC (13) Cl.** **28-01**

(52) **U.S. Cl.**
USPC **D24/106; D14/223**

(58) **Field of Classification Search**
USPC D9/440, 447; D24/106; D14/205, 224, D14/223
CPC A61F 2011/085; A61F 13/2005; A61F 2011/08; A61F 13/2042; A61B 17/12104; A61B 17/12159
See application file for complete search history.

(56) **References Cited**

U.S. PATENT DOCUMENTS

D521,637 S * 5/2006 Yang D24/106
D539,415 S * 3/2007 Fleming A61F 11/08
D745,135 S * 12/2015 Butler A61F 11/08
D759,802 S * 6/2016 Hamer A61B 17/12104
D24/106

11,179,273 B2 * 11/2021 Chenal A61F 11/08
2002/0066455 A1 * 6/2002 Falco A61F 11/08
128/864
2004/0069310 A1 * 4/2004 Falco A61F 11/08
128/864
2010/0294285 A1 * 11/2010 Turdjian A61F 11/08
128/867
2014/0017492 A1 * 1/2014 Hamer B29C 44/507
428/372
2014/0230830 A1 * 8/2014 Hamer A61F 11/08
128/867
2016/0302974 A1 * 10/2016 Chenal A61F 11/08
2021/0069481 A1 * 3/2021 Hnblad A61B 17/12104

* cited by examiner

Primary Examiner — Calvin E Vansant

(74) *Attorney, Agent, or Firm* — Charles A. Lemaire; Jonathan M. Rixen; Lemaire Patent Law Firm, P.L.L.C.

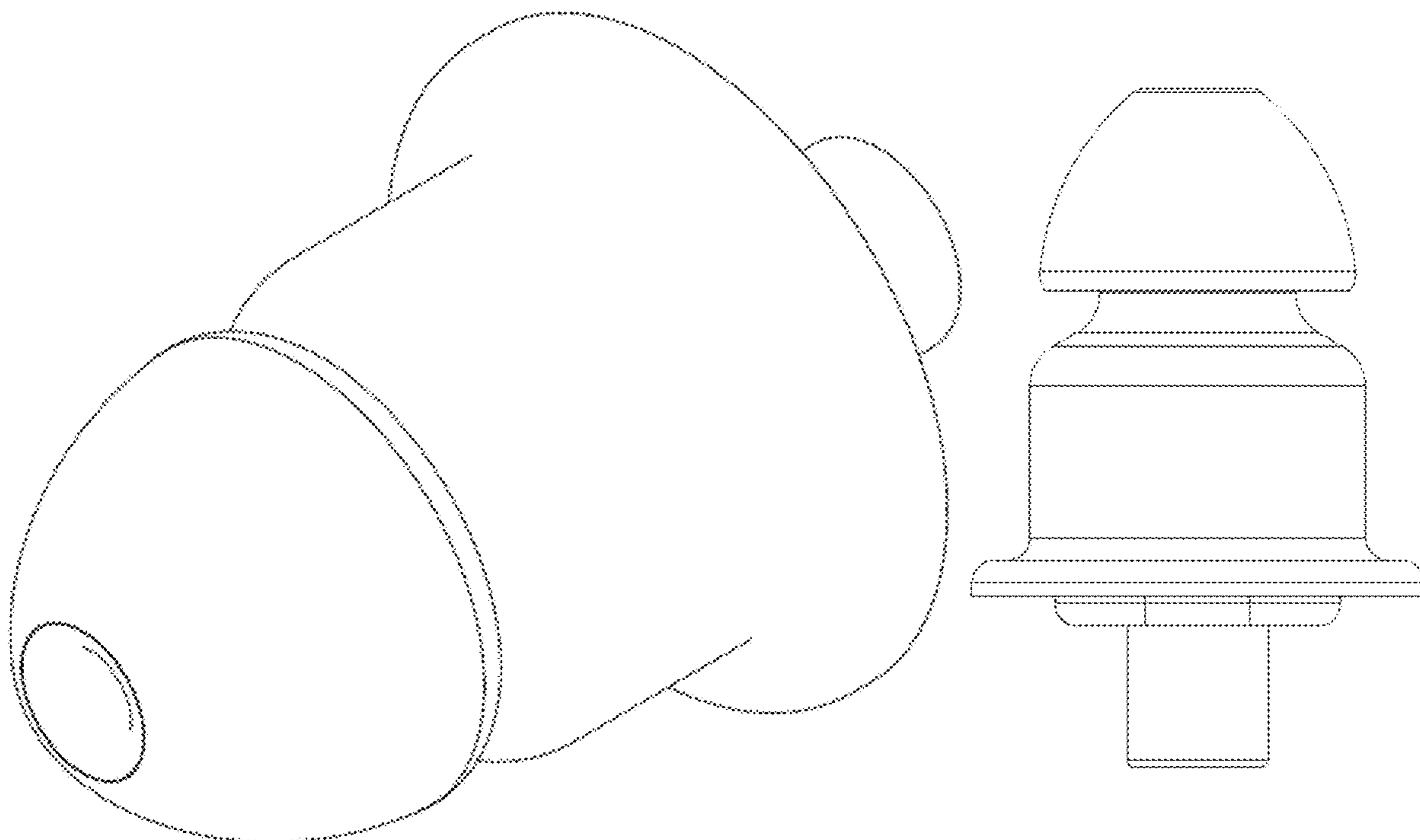
(57) **CLAIM**

The ornamental design for an earpiece apparatus, as shown and described.

DESCRIPTION

FIG. 1 is a perspective view of the decorative earpiece apparatus showing the new design; FIG. 2 is a left-side view thereof; FIG. 3 is a right-side view thereof; FIG. 4 is a front view thereof; FIG. 5 is a back view thereof; FIG. 6 is a top view thereof; and, FIG. 7 is a bottom view thereof.

1 Claim, 4 Drawing Sheets



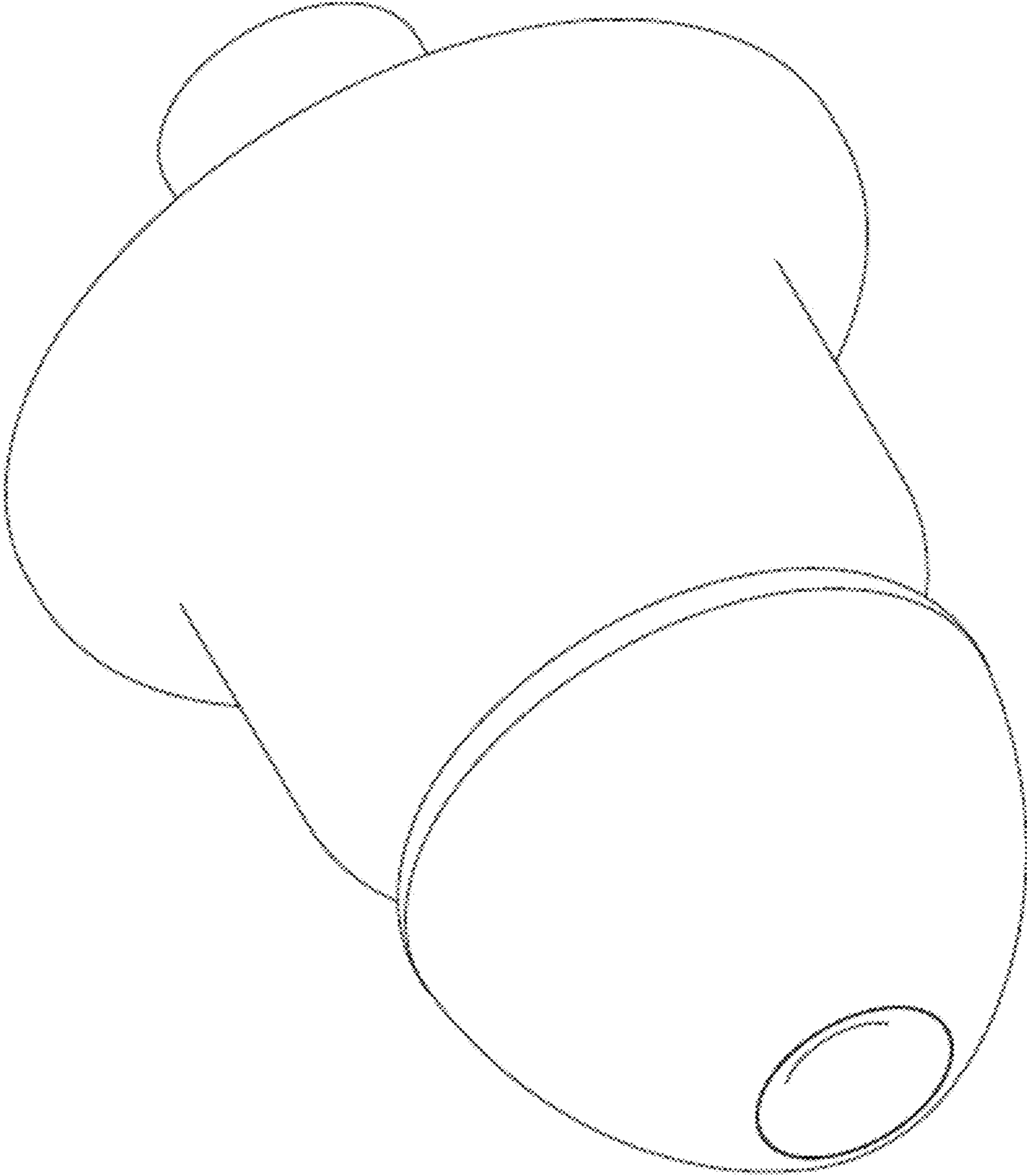


FIG. 1

FIG. 3

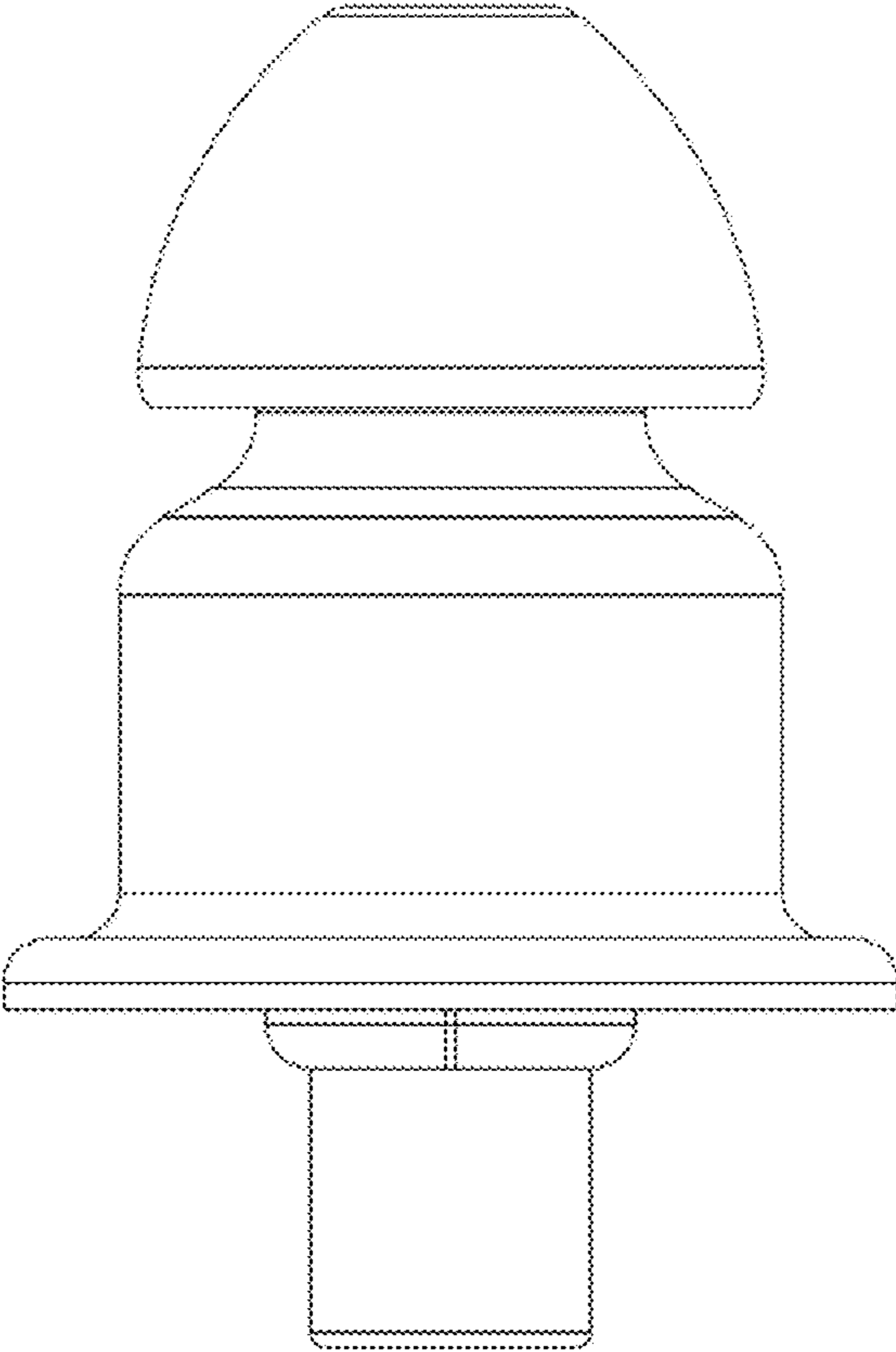


FIG. 2

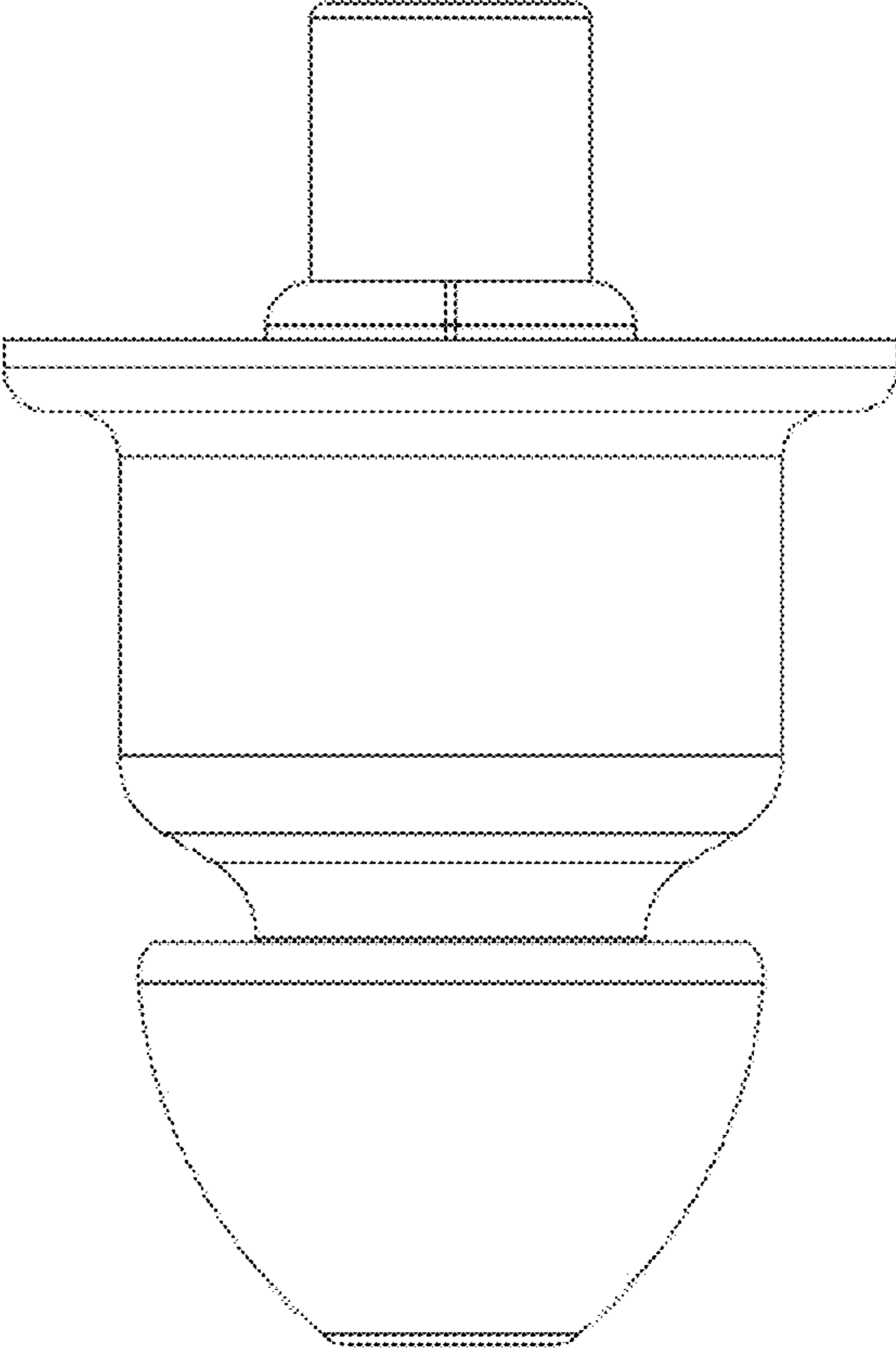


FIG. 5

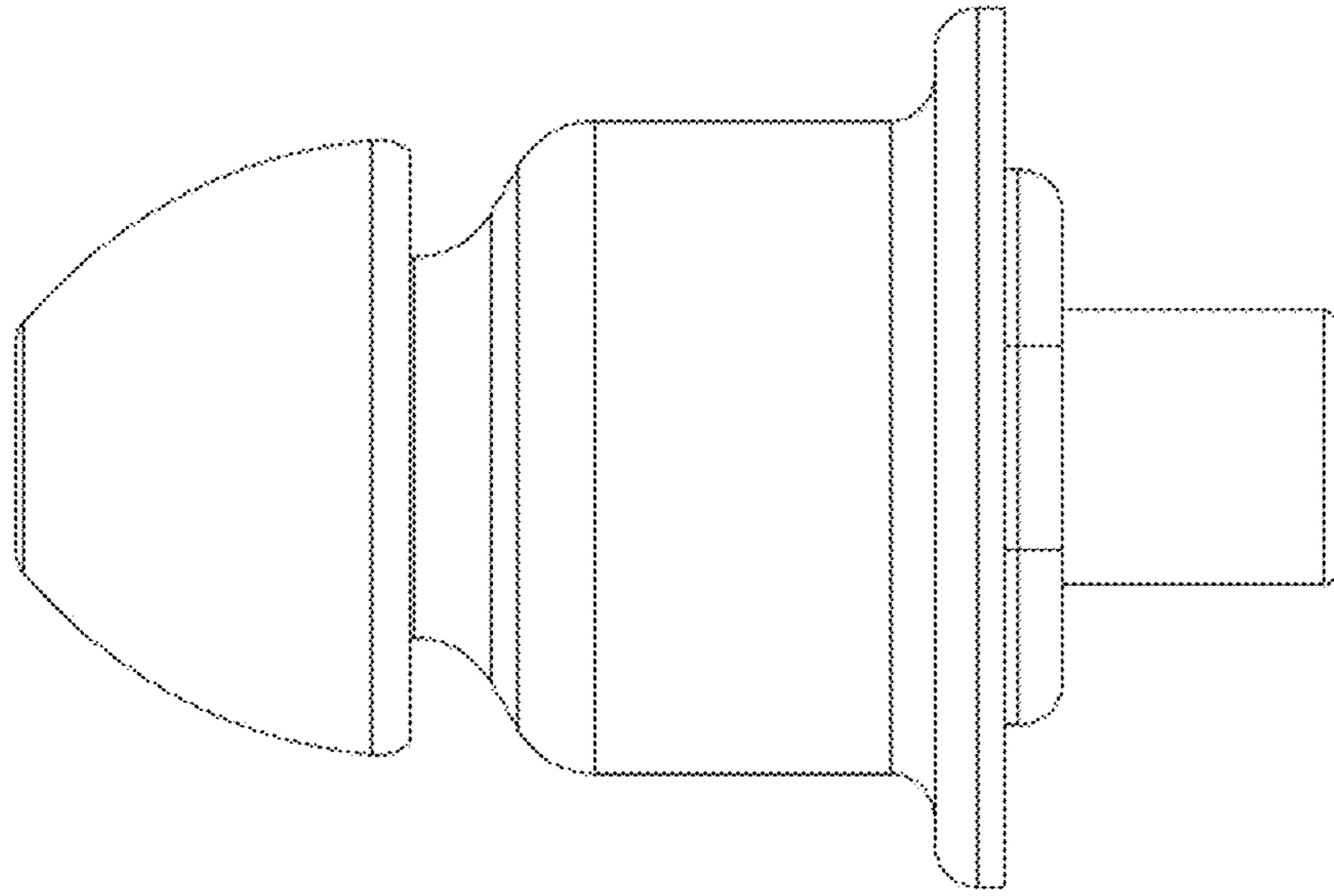
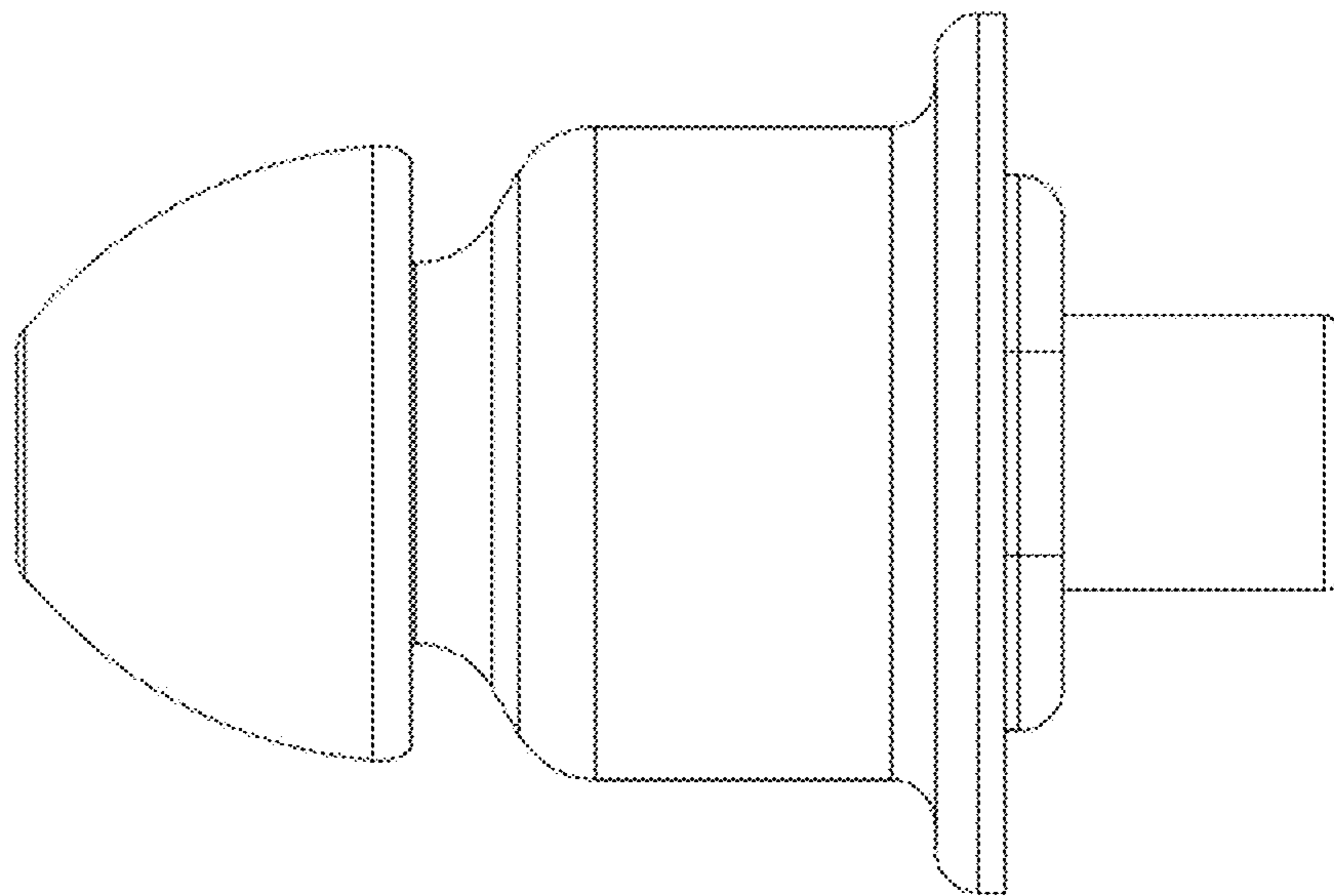


FIG. 4



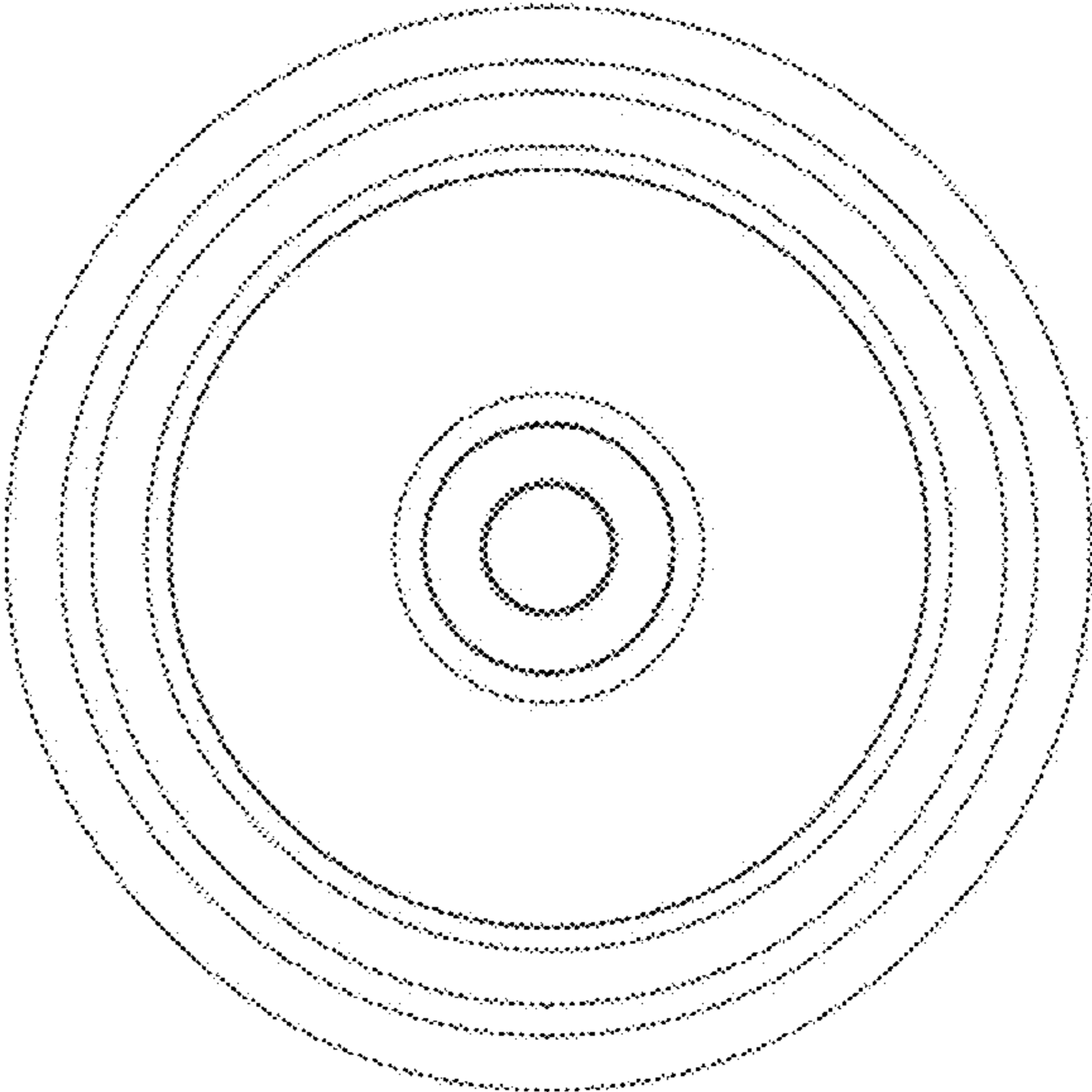


FIG. 7

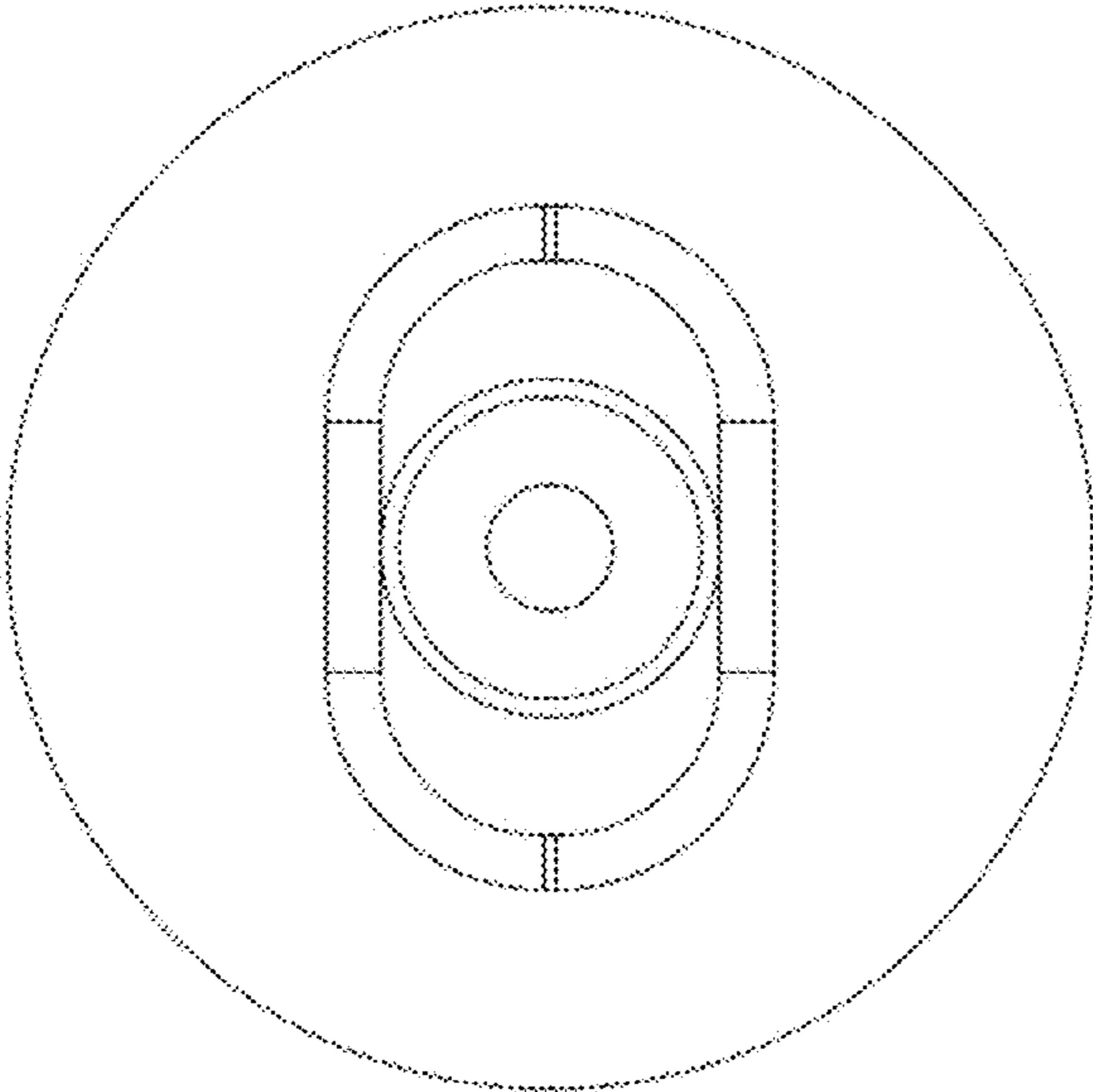


FIG. 6