



US00D952829S

(12) **United States Design Patent**
Ye et al.

(10) **Patent No.:** **US D952,829 S**
(45) **Date of Patent:** **** May 24, 2022**

(54) **FAN**

(71) Applicant: **THE NEW GENIUS(SZ)**
TECHNOLOGY CO., LIMITED,
Guangdong (CN)

(72) Inventors: **Jianrong Ye**, Guangdong (CN); **Dong Chen**, Guangdong (CN)

(73) Assignee: **THE NEW GENIUS(SZ)**
TECHNOLOGY CO., LIMITED,
Guangdong (CN)

(**) Term: **15 Years**

(21) Appl. No.: **29/710,386**

(22) Filed: **Oct. 23, 2019**

(30) **Foreign Application Priority Data**

Aug. 26, 2019 (CN) 201930465481.7

(51) **LOC (13) Cl.** **23-04**

(52) **U.S. Cl.**
USPC **D23/382**

(58) **Field of Classification Search**
USPC D23/328, 332, 333, 370, 378-383, 385,
D23/335-337, 341, 351, 352, 354,
D23/411-414, 362, 364
CPC .. F04D 25/084; F04D 25/086; F04D 25/0673;
F04D 29/646
See application file for complete search history.

(56) **References Cited**

U.S. PATENT DOCUMENTS

4,799,858	A *	1/1989	Shin-Chin	F04D 29/646 248/231.51
5,547,343	A *	8/1996	Jane	F04D 29/601 248/231.51
D727,488	S *	4/2015	Hsu	D23/382
D818,109	S *	5/2018	Junkel	D23/382
D865,937	S *	11/2019	Lin	D23/382
D884,868	S *	5/2020	Chen	D23/382
D890,912	S *	7/2020	Ma	D23/382

D898,180	S *	10/2020	Du	D23/382
D902,374	S *	11/2020	Li	D23/382
D907,187	S *	1/2021	Li	D23/382
D907,188	S *	1/2021	Zhang	D23/382
D907,189	S *	1/2021	Zhang	D23/382
2019/0351360	A1 *	11/2019	Plotkin	F24F 7/007
2020/0011338	A1 *	1/2020	Lin	F04D 25/0673

OTHER PUBLICATIONS

The Best Stroller Fan of 2021, date posted Jan. 9, 2021, site visited Mar. 10, 2021, available from internet, <<https://www.experiencedmommy.com/best-stroller-fan/>>.*

Clip on Fan, first available Aug. 22, 2019, site visited Mar. 13, 2021, <https://www.amazon.com/Mieuxbuck-Stroller-Operated-Travelling-Rechargeable/dp/B07WV9PF36/ref=sr_1_30_sspa?dchild=1&keywords=comlife%2Bfan&qid=1615693129&s=home-garden&sr=1-30-spons&spLa=ZW5jcnlwdGVkUXVhbGlmaWVyPUEwMldQTK1VNDIMRjcxJmVuY3J5cHRIZEikPUEwOTcxOTg1M1JHUFRRaQksxQTRVYyZlbnNyeXB0ZWZRBZEikPUEwOTUwMzcxT0VYODFKOTIMUFAwJndpZGdlE5hbWU9c3BfYnRmJmFjdGlvbj1jbGlja1JlZGlyZW50JmRvTm90TG9nQ2xpY2s9dHJlZQ&th=1>.*

* cited by examiner

Primary Examiner — Sharon S Oum
(74) *Attorney, Agent, or Firm* — JCIPRNET

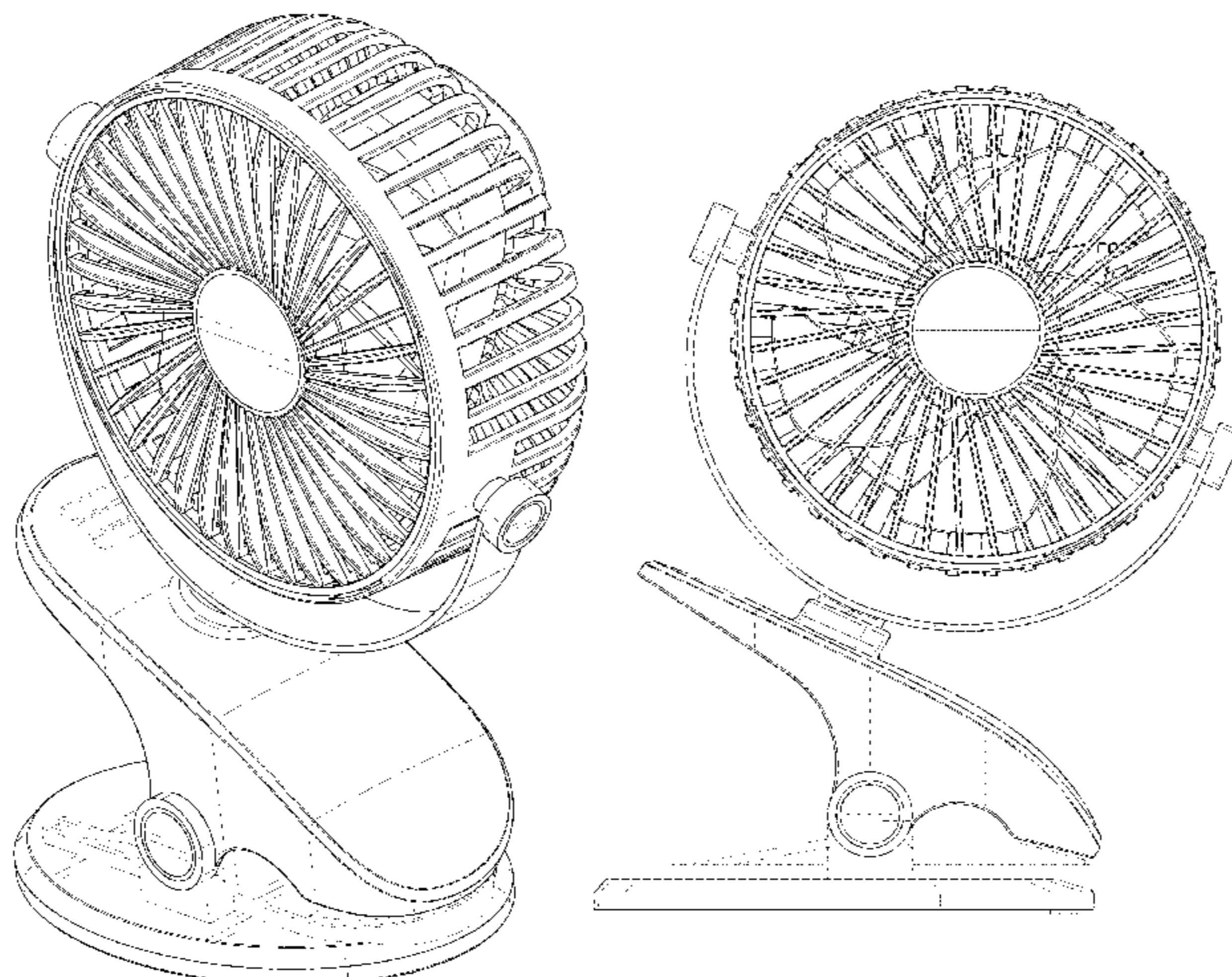
(57) **CLAIM**

The ornamental design for a fan, as shown and described.

DESCRIPTION

FIG. 1 is a perspective view of a fan showing our new design;
FIG. 2 is another perspective view thereof;
FIG. 3 is a front view thereof;
FIG. 4 is a rear view thereof;
FIG. 5 is a left side view thereof;
FIG. 6 is a right side view thereof;
FIG. 7 is a top view thereof; and,
FIG. 8 is a bottom view thereof.

(Continued)



The broken lines depict portions of the fan that form no part of the claimed design.

1 Claim, 7 Drawing Sheets

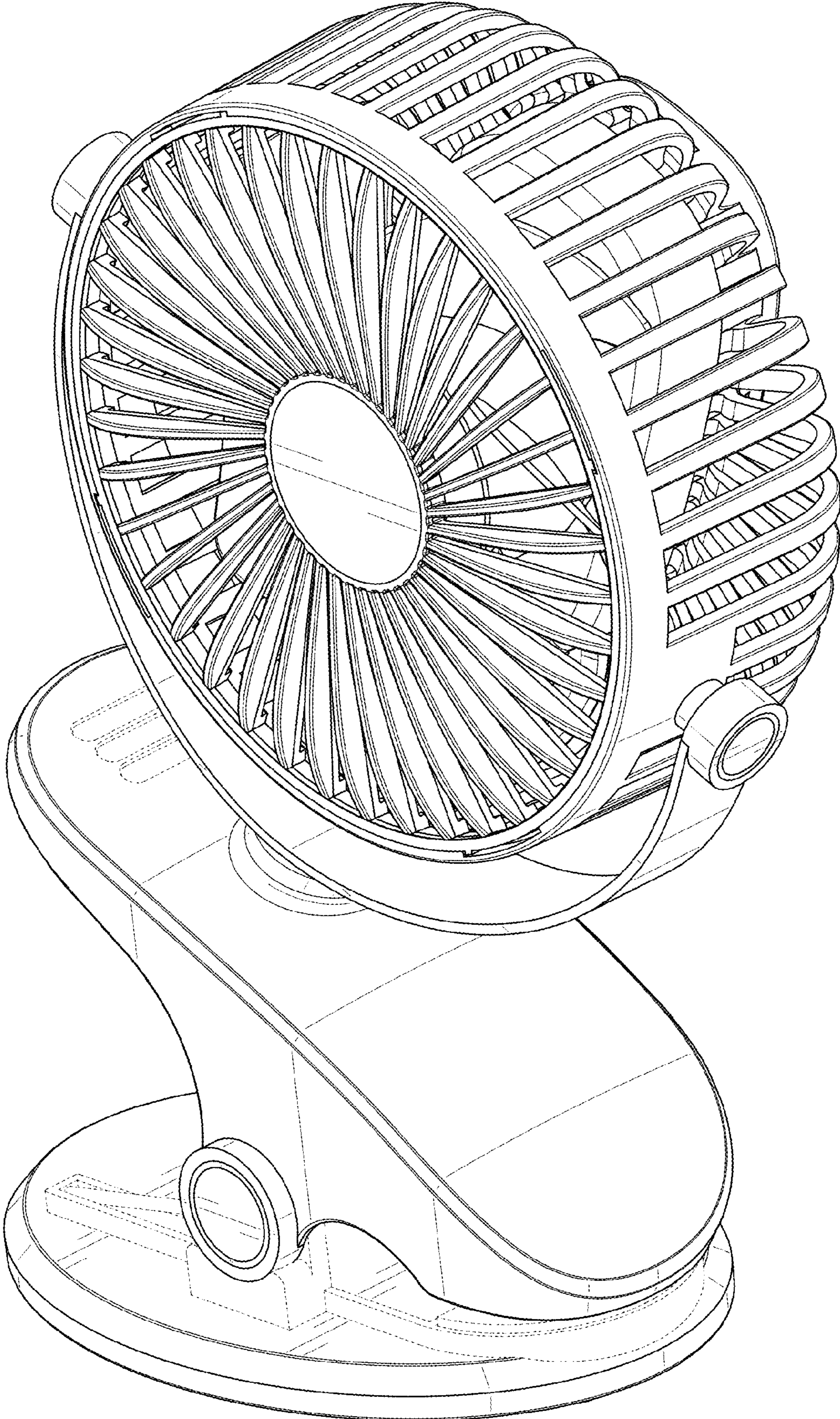


FIG. 1

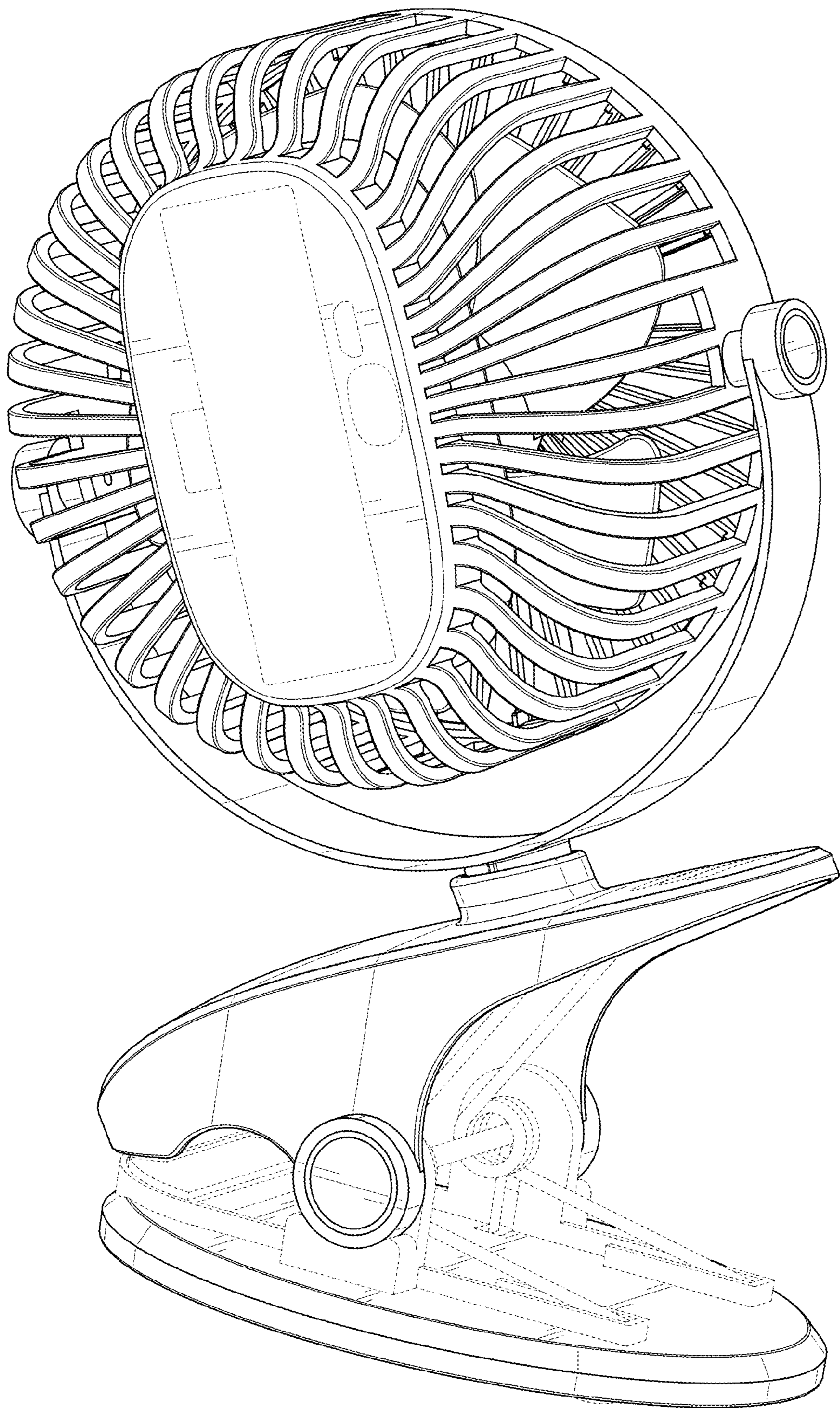


FIG. 2

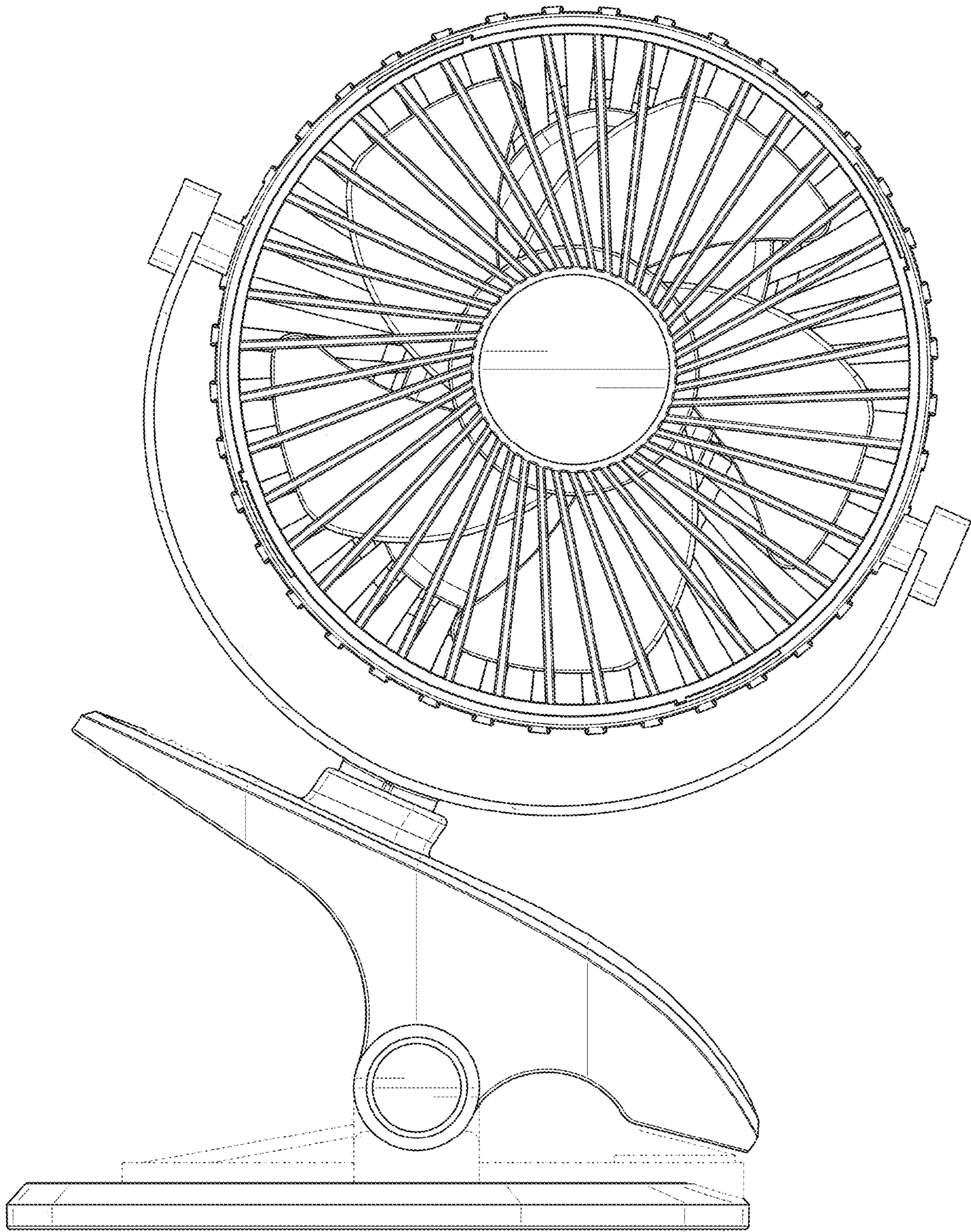


FIG. 3

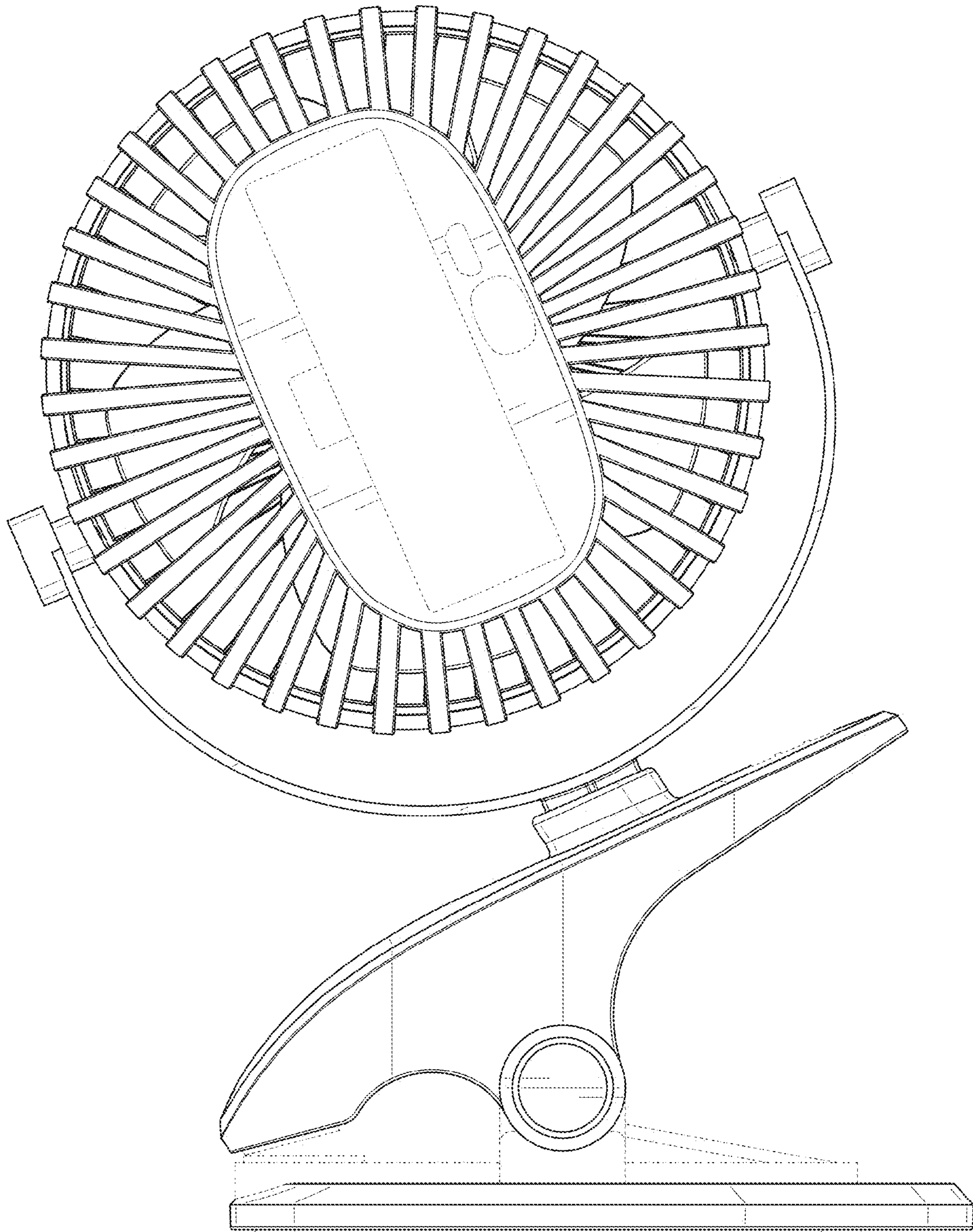


FIG. 4

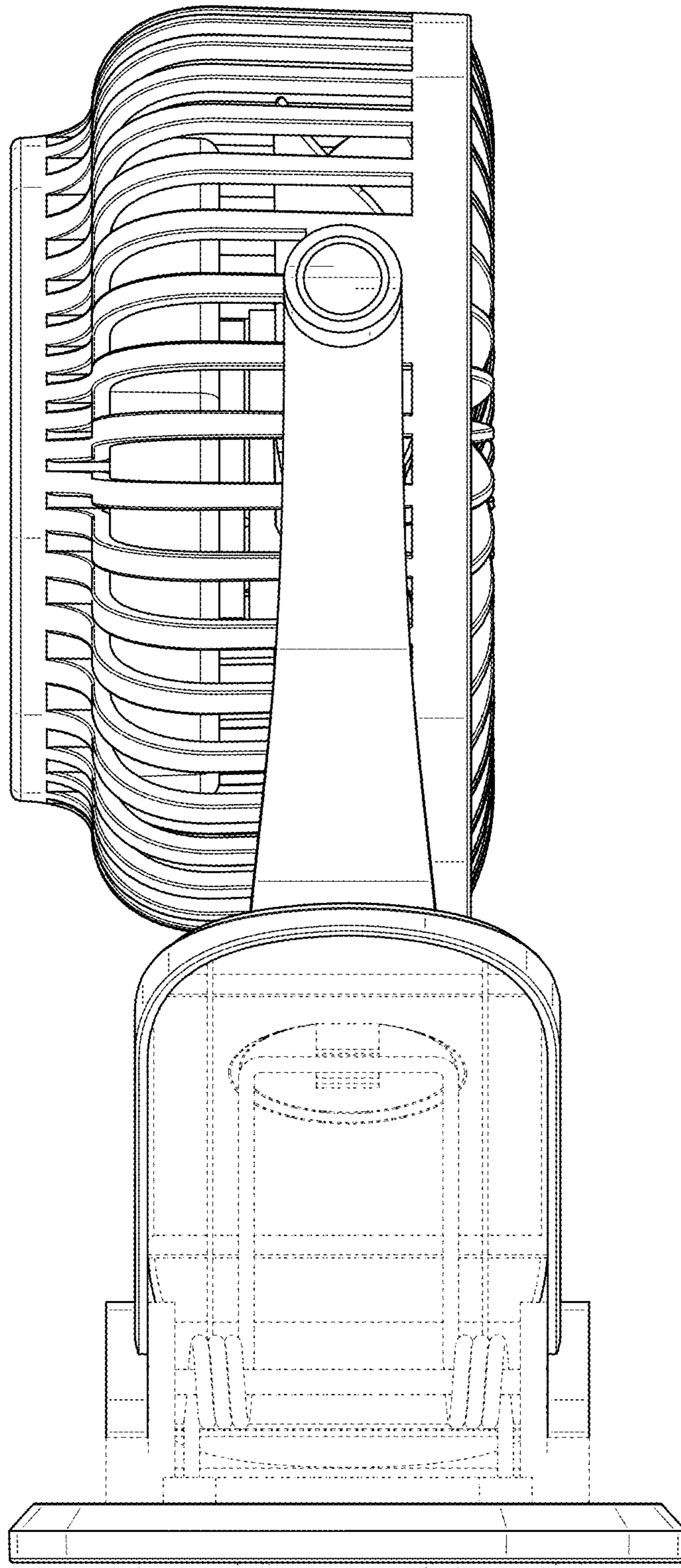


FIG. 5

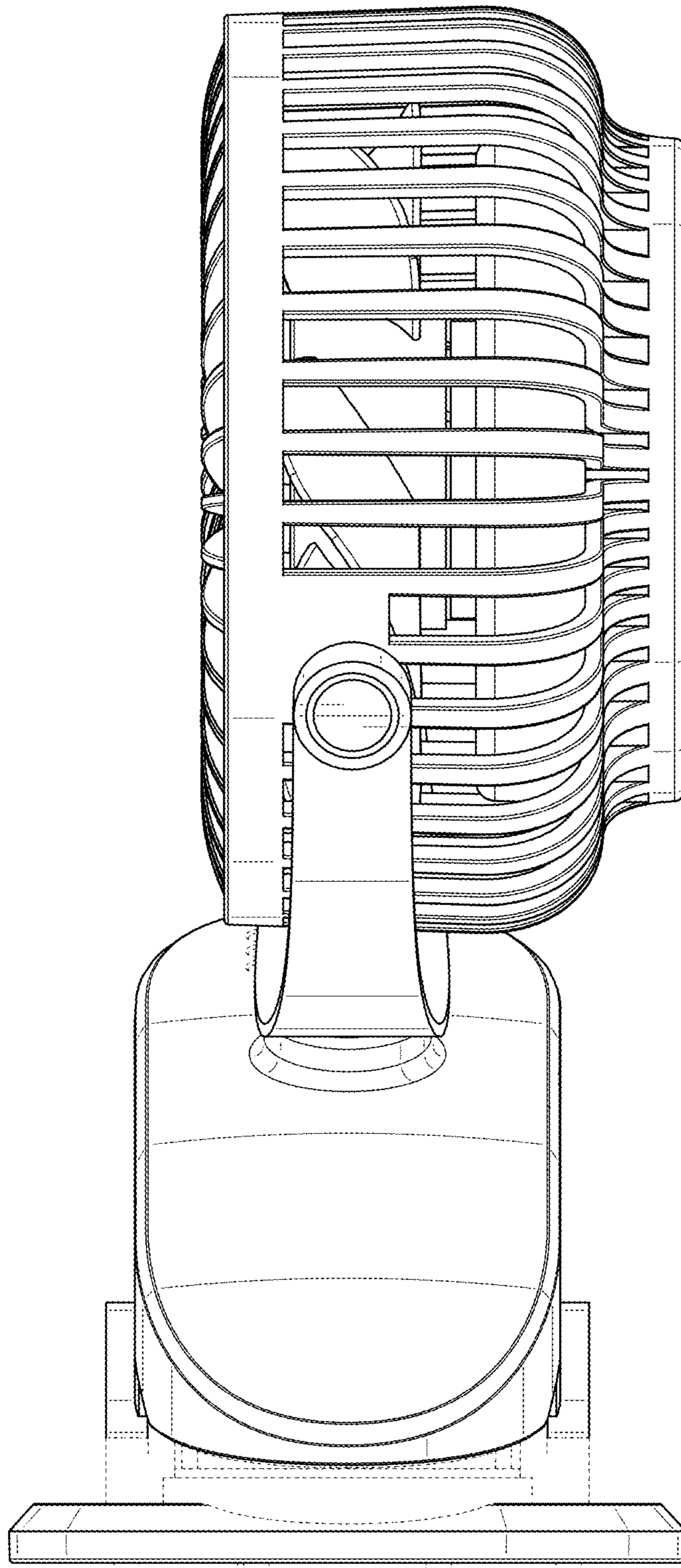


FIG. 6

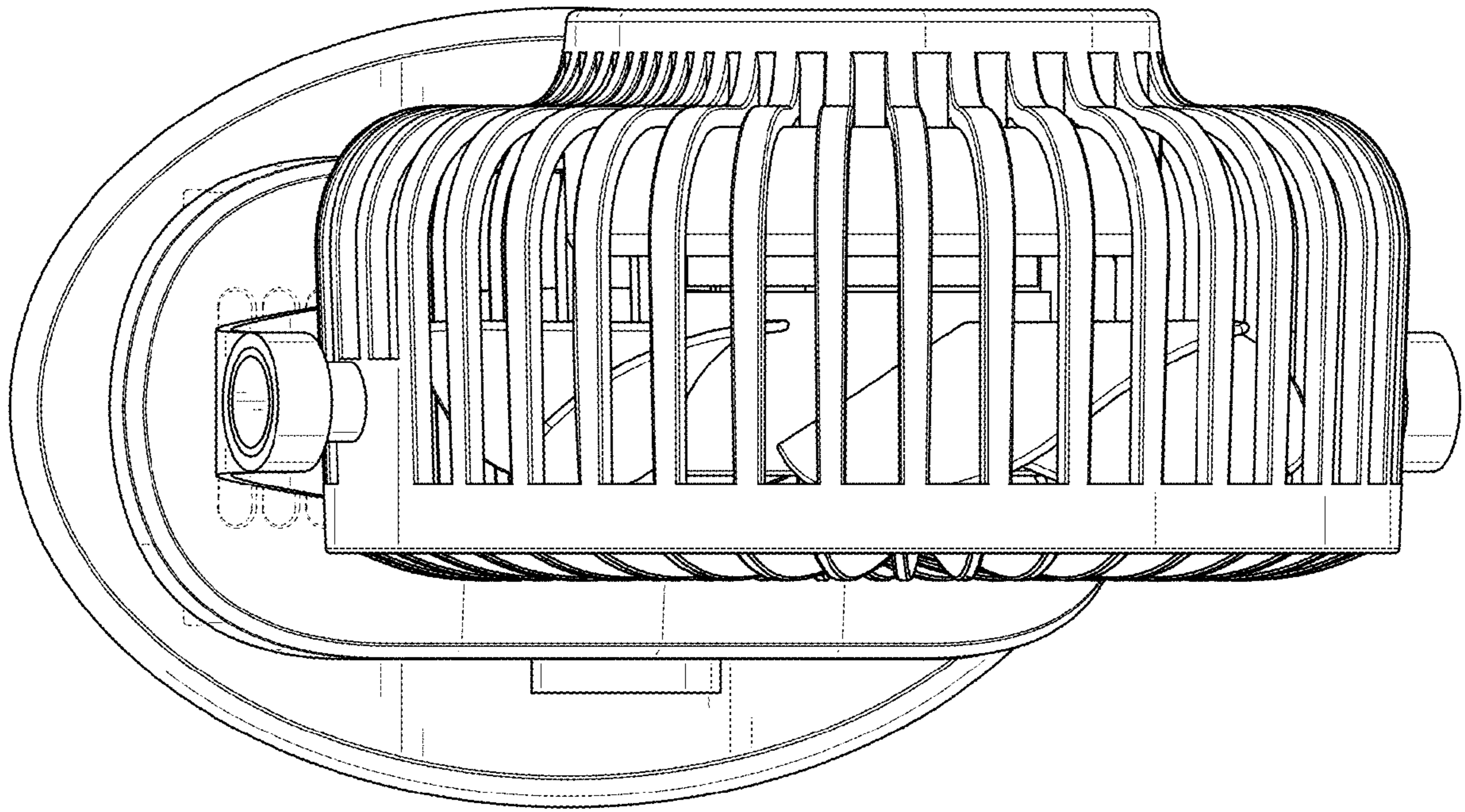


FIG. 7

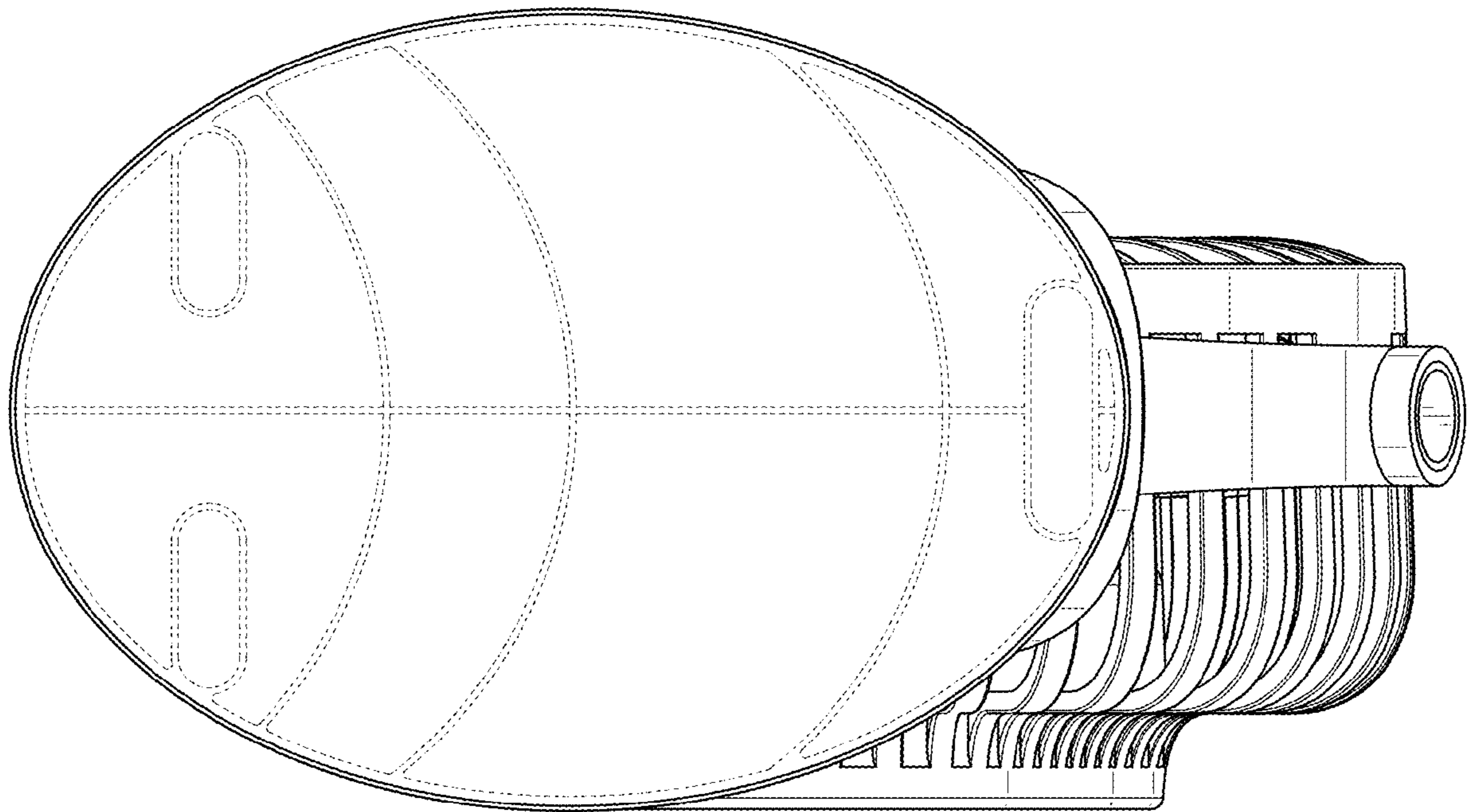


FIG. 8