



US00D952827S

(12) **United States Design Patent**
Kaye et al.

(10) **Patent No.:** **US D952,827 S**
(45) **Date of Patent:** **** May 24, 2022**

(54) **AIR DIFFUSER**

(74) *Attorney, Agent, or Firm* — Bojuan Deng

(71) Applicant: **Henkel AG & Co. KGaA**, Duesseldorf (DE)

(57) **CLAIM**

The ornamental design for air diffuser, as shown and described.

(72) Inventors: **Glenn W. Kaye**, Norwalk, CT (US); **Daniel Peter Sterling**, Fairfield, CT (US); **Mark A. Granja**, Danbury, CT (US); **Rui Manuel Henriques**, Wolcott, CT (US); **Elana Abrams**, Shelton, CT (US); **Andrew Bell Krystinik**, Middlefield, CT (US); **Scott H. Smith**, Westport, CT (US); **Lee M. Marchetti**, Seymour, CT (US); **Craig R. Bures**, Prospect, CT (US); **Edward Gilchrest**, Oxford, CT (US)

DESCRIPTION

FIG. 1 is a top perspective view of an air diffuser embodying the new design;
FIG. 2 is a bottom perspective view thereof;
FIG. 3 is a front side view thereof;
FIG. 4 is a back-side view thereof;
FIG. 5 is a right-side view thereof;
FIG. 6 is a left-side view thereof;
FIG. 7 is a top plan view thereof, and
FIG. 8 is a bottom plan view thereof.
FIG. 9 is a top perspective view of another air diffuser embodying the new design;
FIG. 10 is a bottom perspective view of the air diffuser shown in FIG. 9;
FIG. 11 is a front side view of the air diffuser shown in FIG. 9;
FIG. 12 is a back-side view of the air diffuser shown in FIG. 9;
FIG. 13 is a right-side view of the air diffuser shown in FIG. 9;
FIG. 14 is a left-side view of the air diffuser shown in FIG. 9;
FIG. 15 is a top plan view of the air diffuser shown in FIG. 9; and,
FIG. 16 is a bottom plan view of the air diffuser shown in FIG. 9.
FIG. 17 is a top perspective view of yet another air diffuser embodying the new design;
FIG. 18 is a bottom perspective view of the air diffuser shown in FIG. 17;
FIG. 19 is a front side view of the air diffuser shown in FIG. 17;
FIG. 20 is a back-side view of the air diffuser shown in FIG. 17;
FIG. 21 is a right-side view of the air diffuser shown in FIG. 17;

(73) Assignee: **Henkel AG & Co. KGaA**, Duesseldorf (DE)

(**) Term: **15 Years**

(21) Appl. No.: **29/727,696**

(22) Filed: **Mar. 12, 2020**

(51) **LOC (13) Cl.** **28-99**

(52) **U.S. Cl.**
USPC **D23/366**

(58) **Field of Classification Search**
USPC D23/209, 355, 356, 358, 359, 360, 364,
D23/365, 366, 367; D99/5; D24/217;
D32/1

(Continued)

(56) **References Cited**

U.S. PATENT DOCUMENTS

D509,893 S * 9/2005 Sevy D23/366
D535,376 S * 1/2007 Michaels D23/366

(Continued)

Primary Examiner — John A Voytek

(Continued)

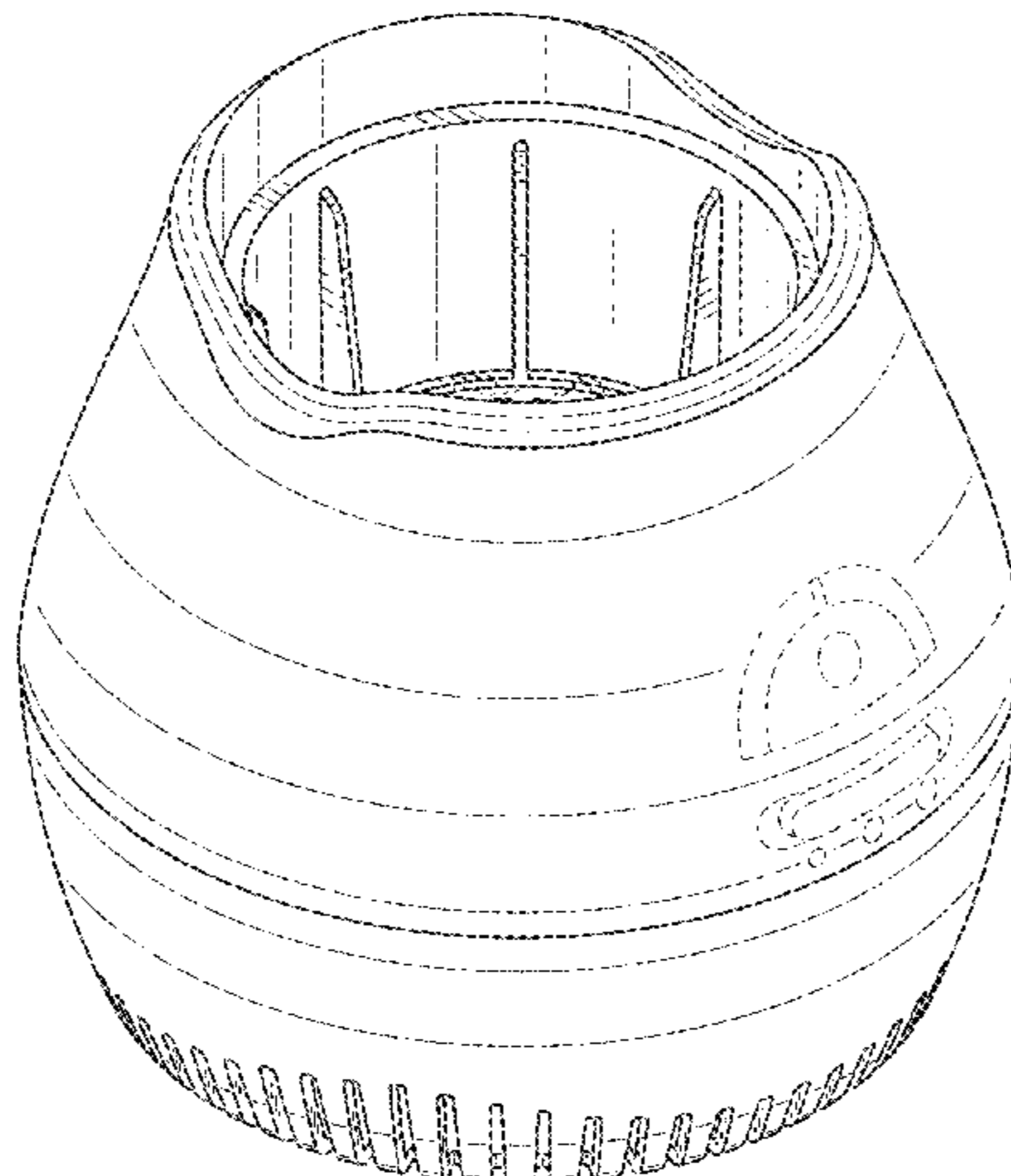


FIG. 22 is a left-side view of the air diffuser shown in FIG. 17;

FIG. 23 is a top plan view of the air diffuser shown in FIG. 17; and,

FIG. 24 is a bottom plan view of the air diffuser shown in FIG. 17.

The broken lines shown in the drawings depict portions of the Air Diffuser that form no part of the claimed design.

1 Claim, 24 Drawing Sheets

(58) **Field of Classification Search**

CPC . A61L 9/03; A61L 9/012; A61L 9/015; A61L 9/037; F41J 1/01

See application file for complete search history.

(56) **References Cited**

U.S. PATENT DOCUMENTS

D592,295 S *	5/2009	Nanda	D23/356
D692,547 S *	10/2013	Wirz	D23/366
D692,551 S *	10/2013	Wirz	D23/366
D837,959 S *	1/2019	Nie	D23/356
D895,092 S *	9/2020	Peng	D23/356
D912,799 S *	3/2021	Kaye	D23/366
D914,188 S *	3/2021	Kaye	D23/366
2015/0117056 A1 *	4/2015	Hsiao	G02B 6/0045 362/611
2020/0239210 A1 *	7/2020	Schramm	B65B 5/04
2020/0254130 A1 *	8/2020	Nixon	B05B 12/02

* cited by examiner

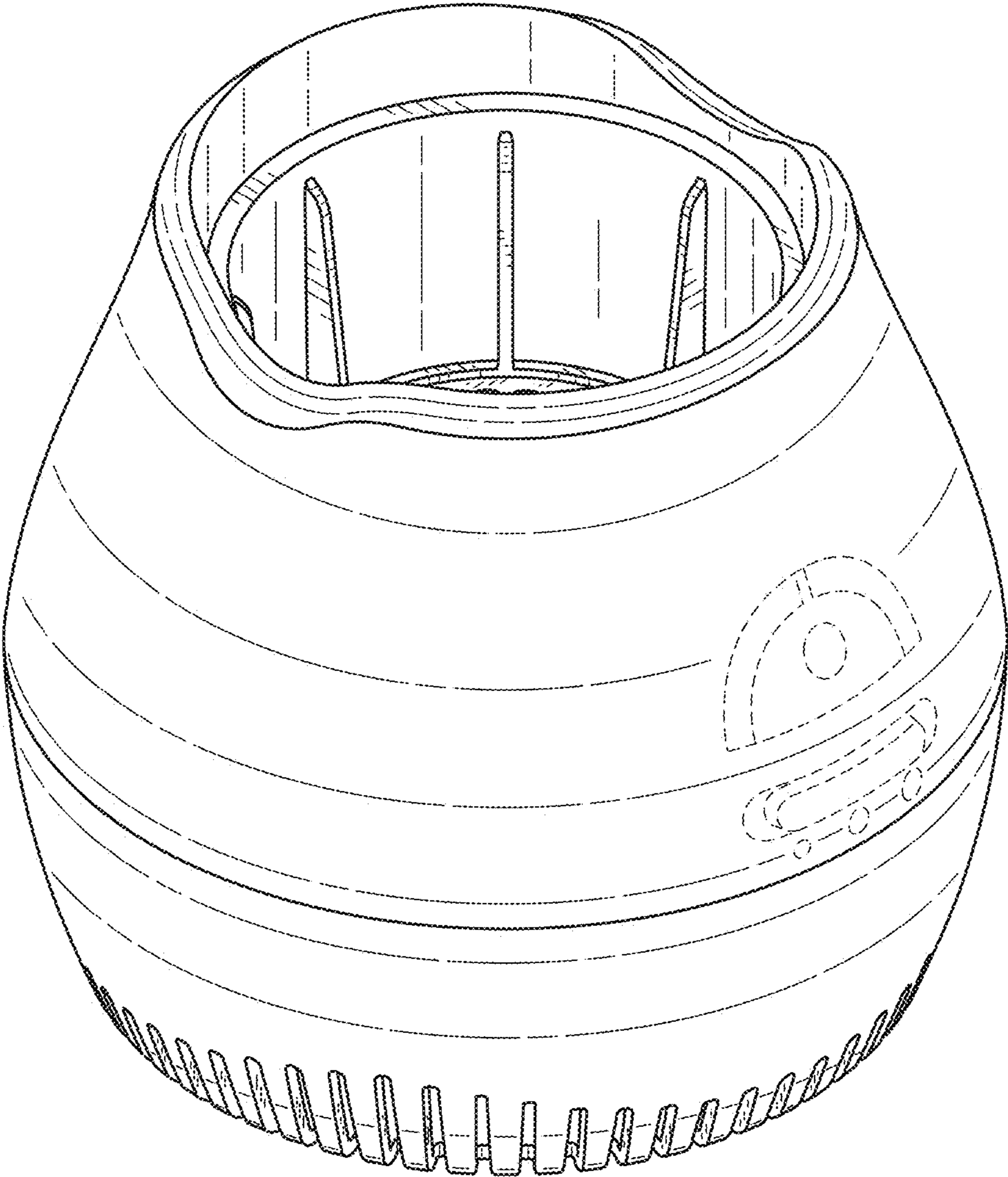


FIG.1

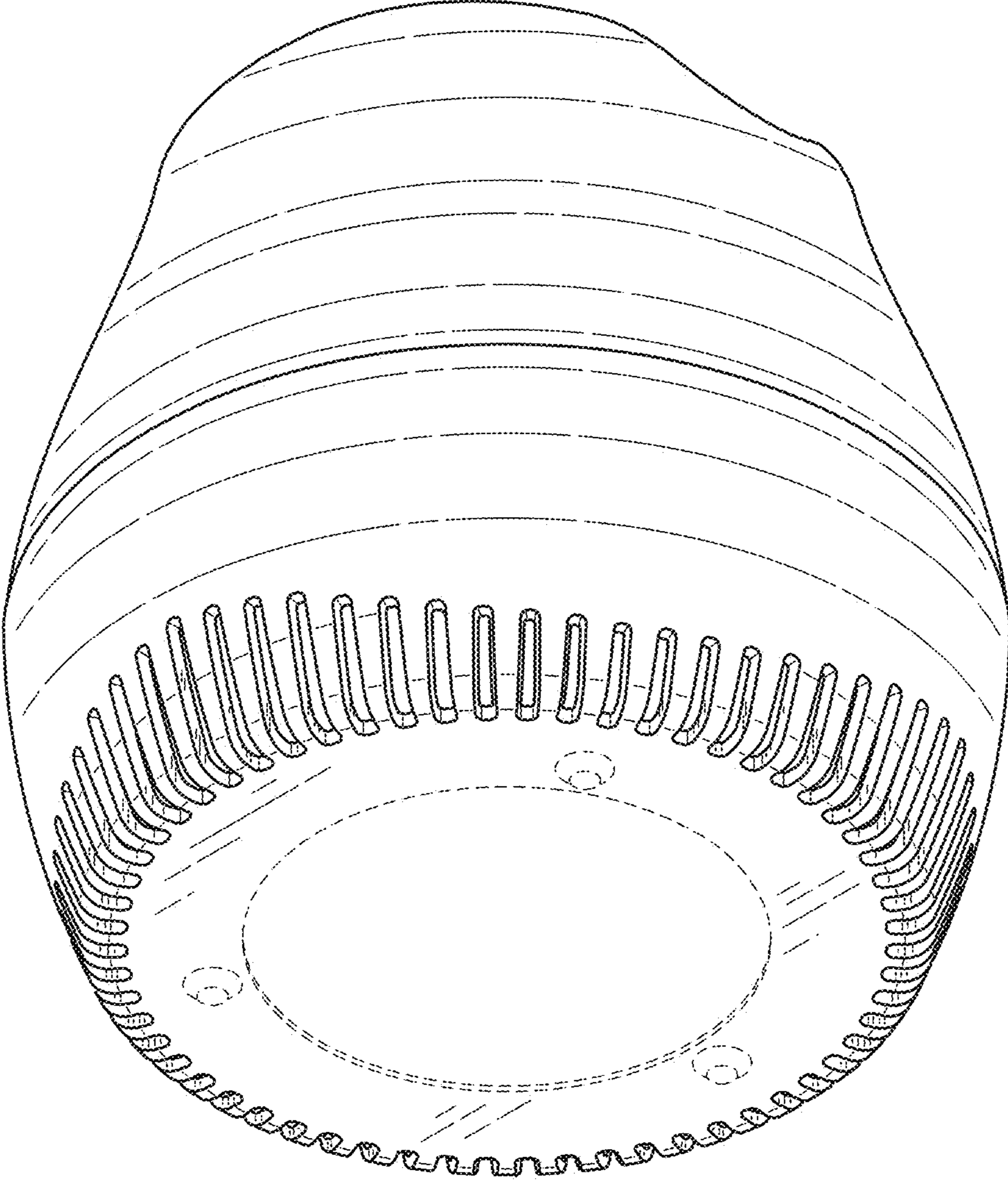


FIG.2

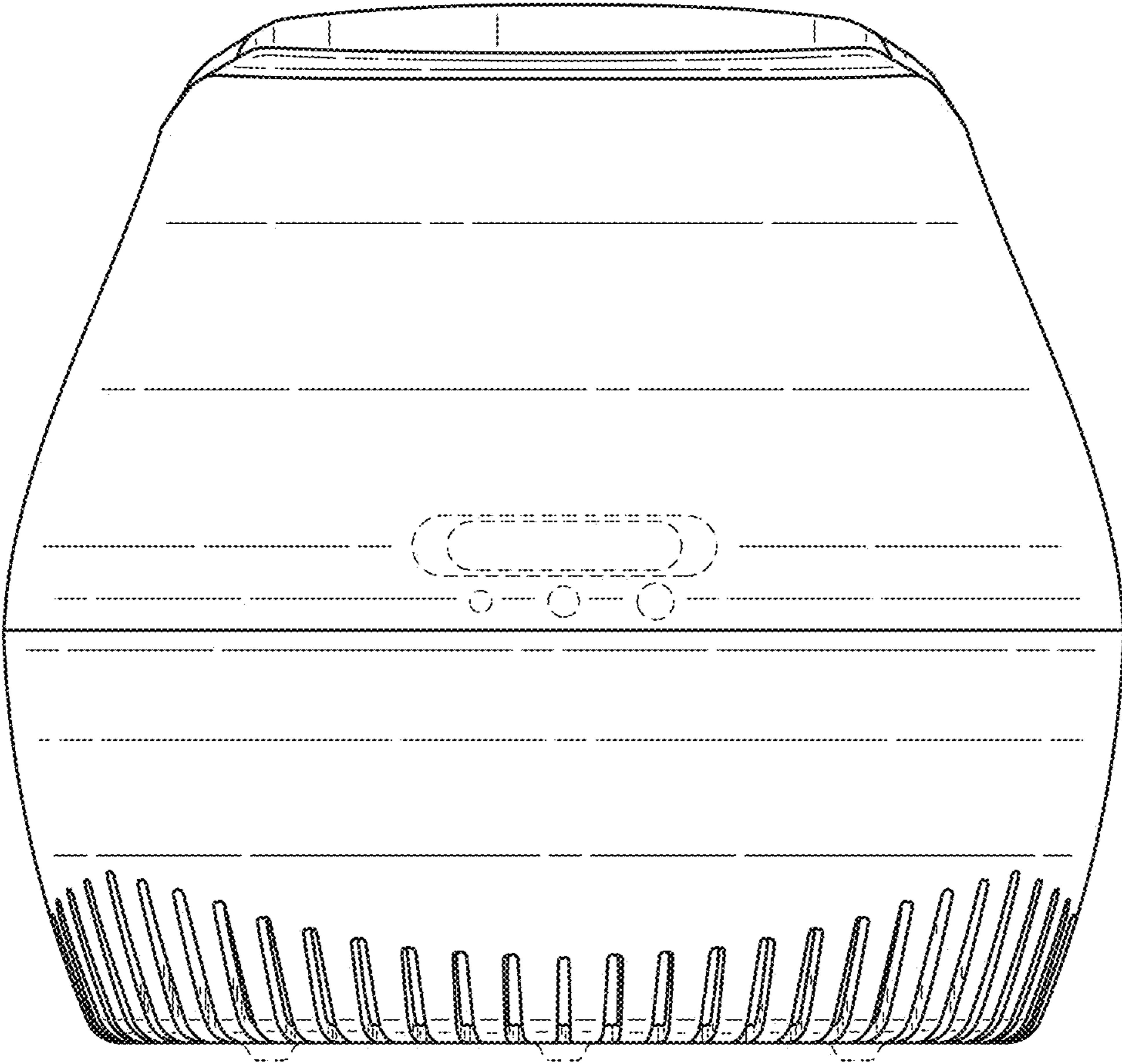


FIG.3

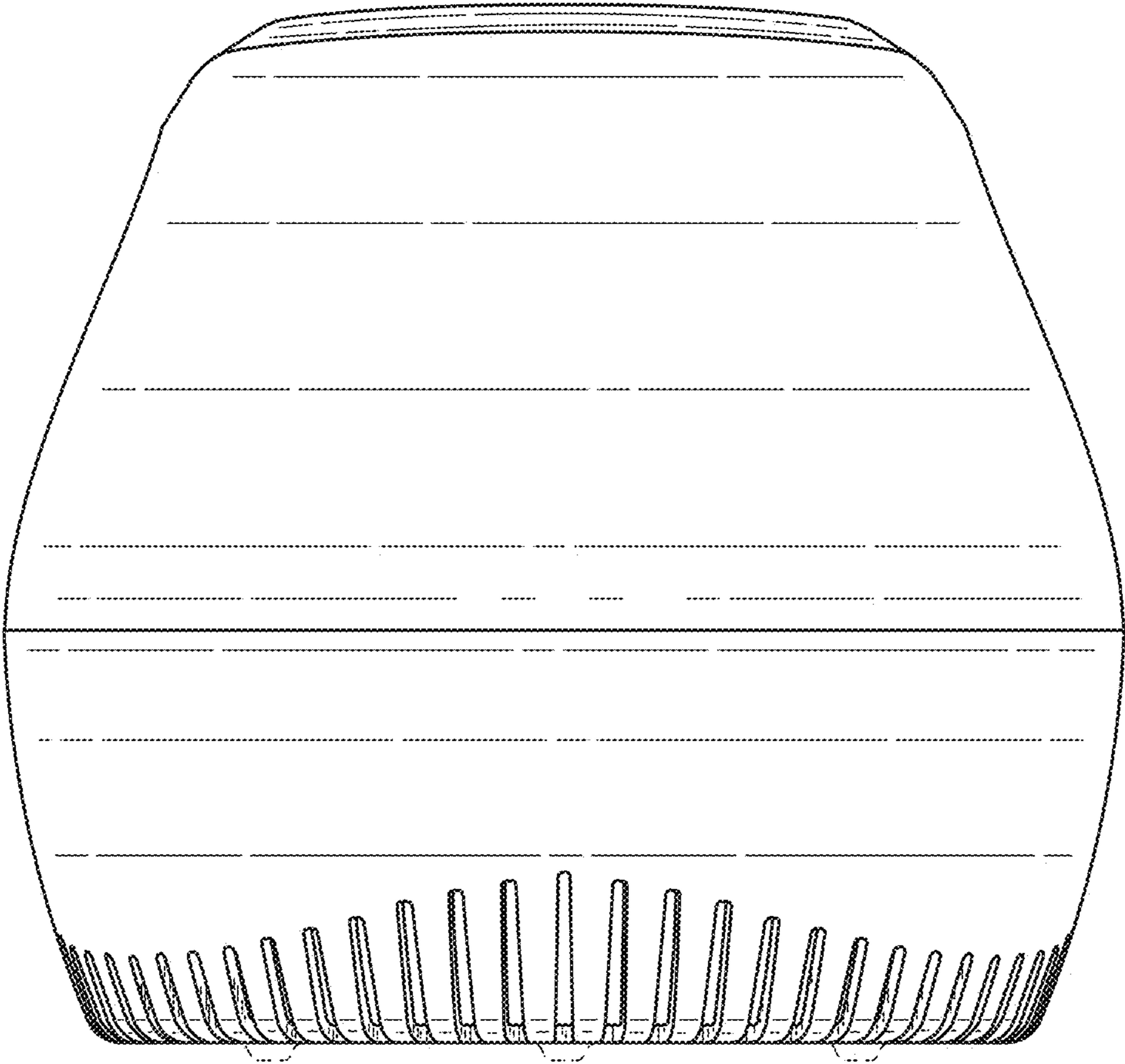


FIG.4

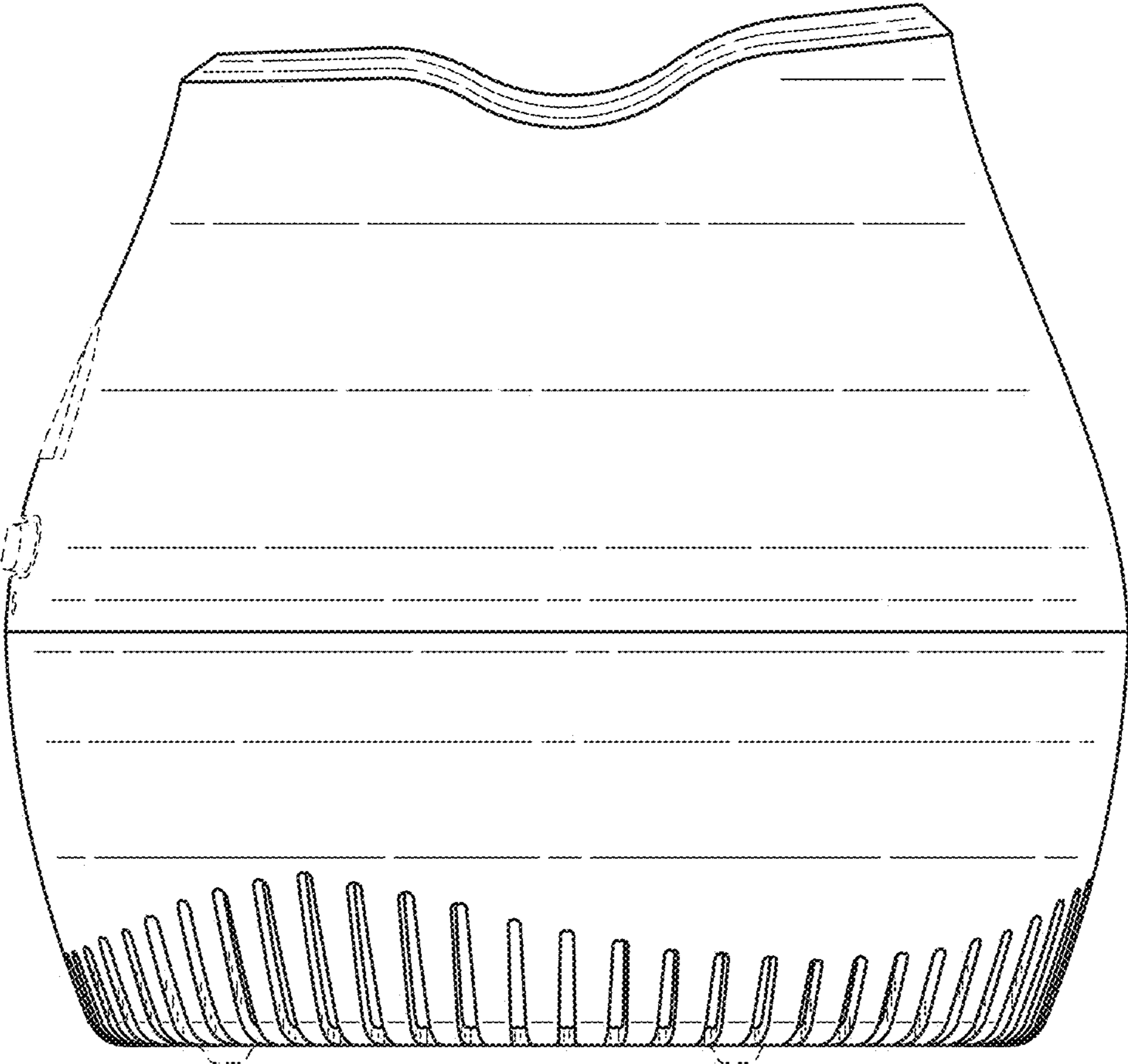


FIG.5

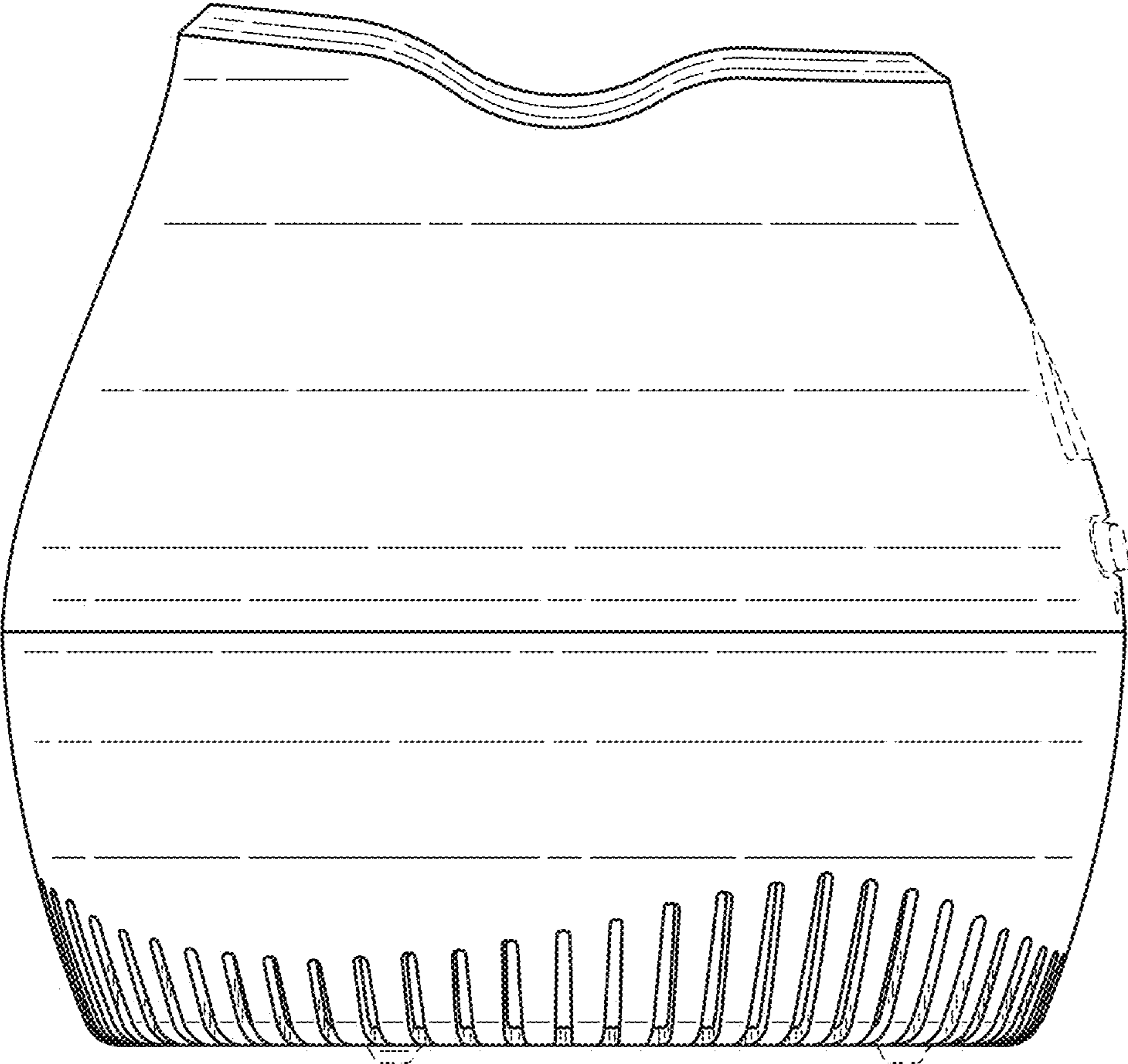


FIG.6

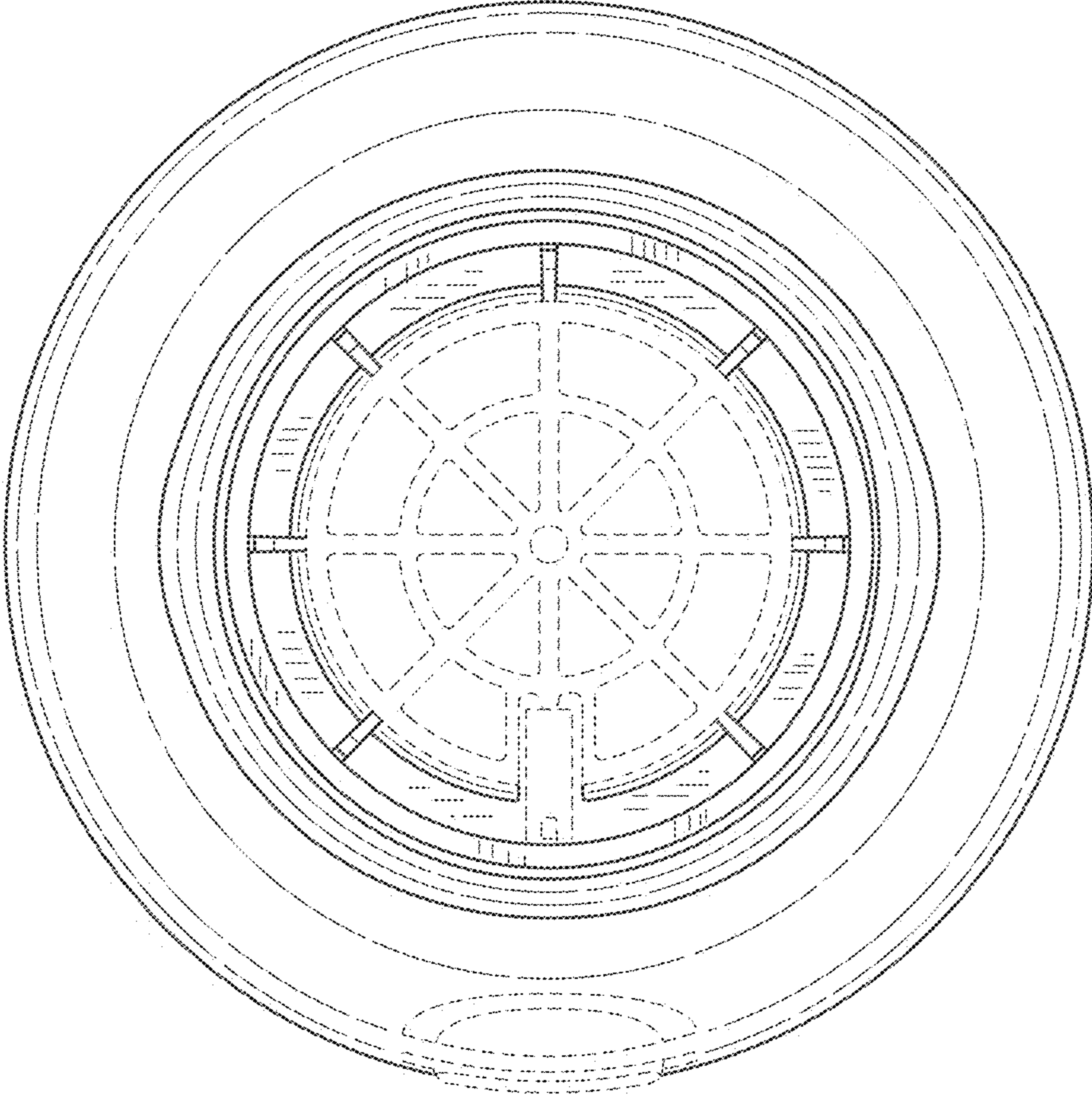


FIG.7

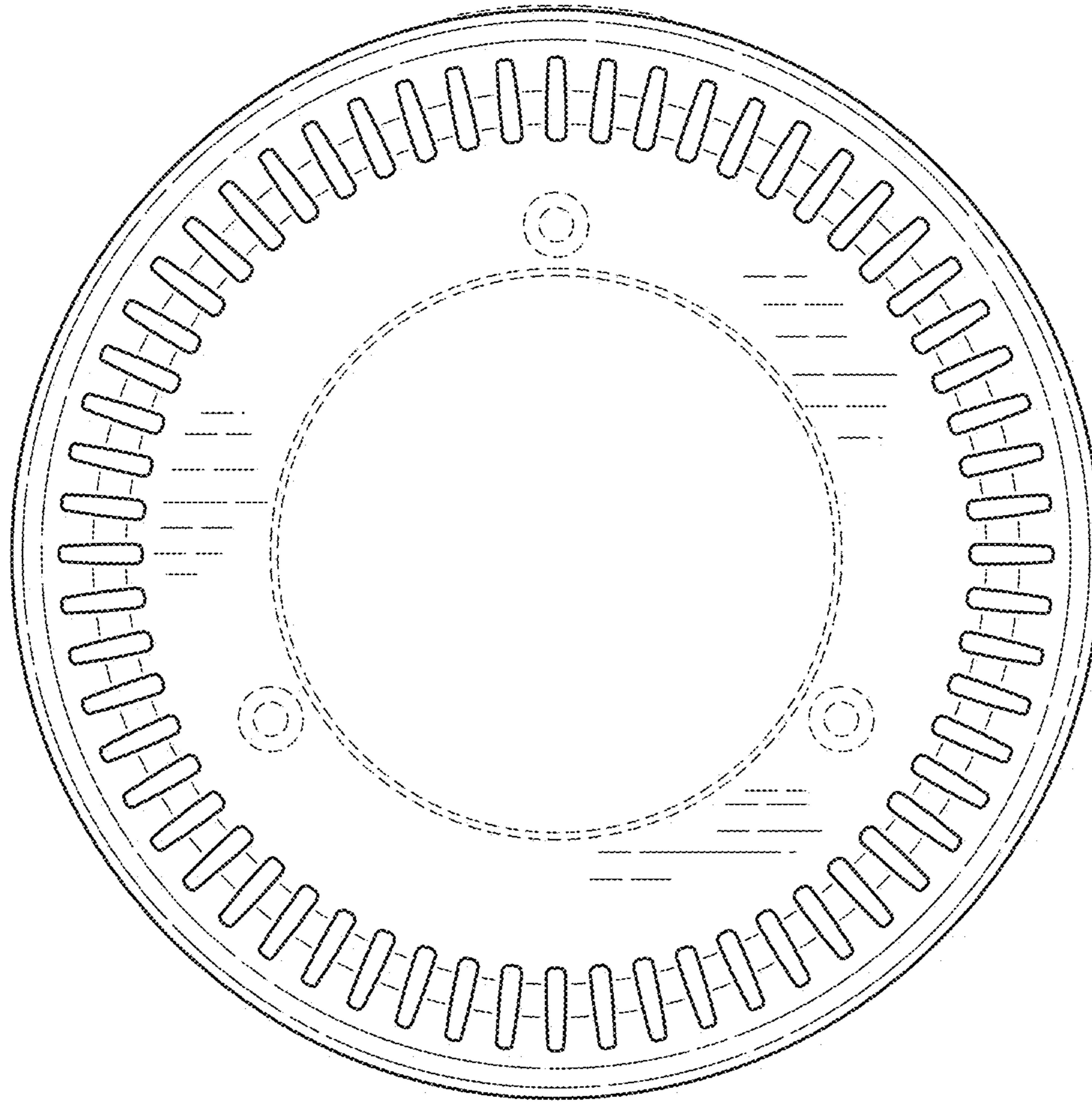


FIG. 8

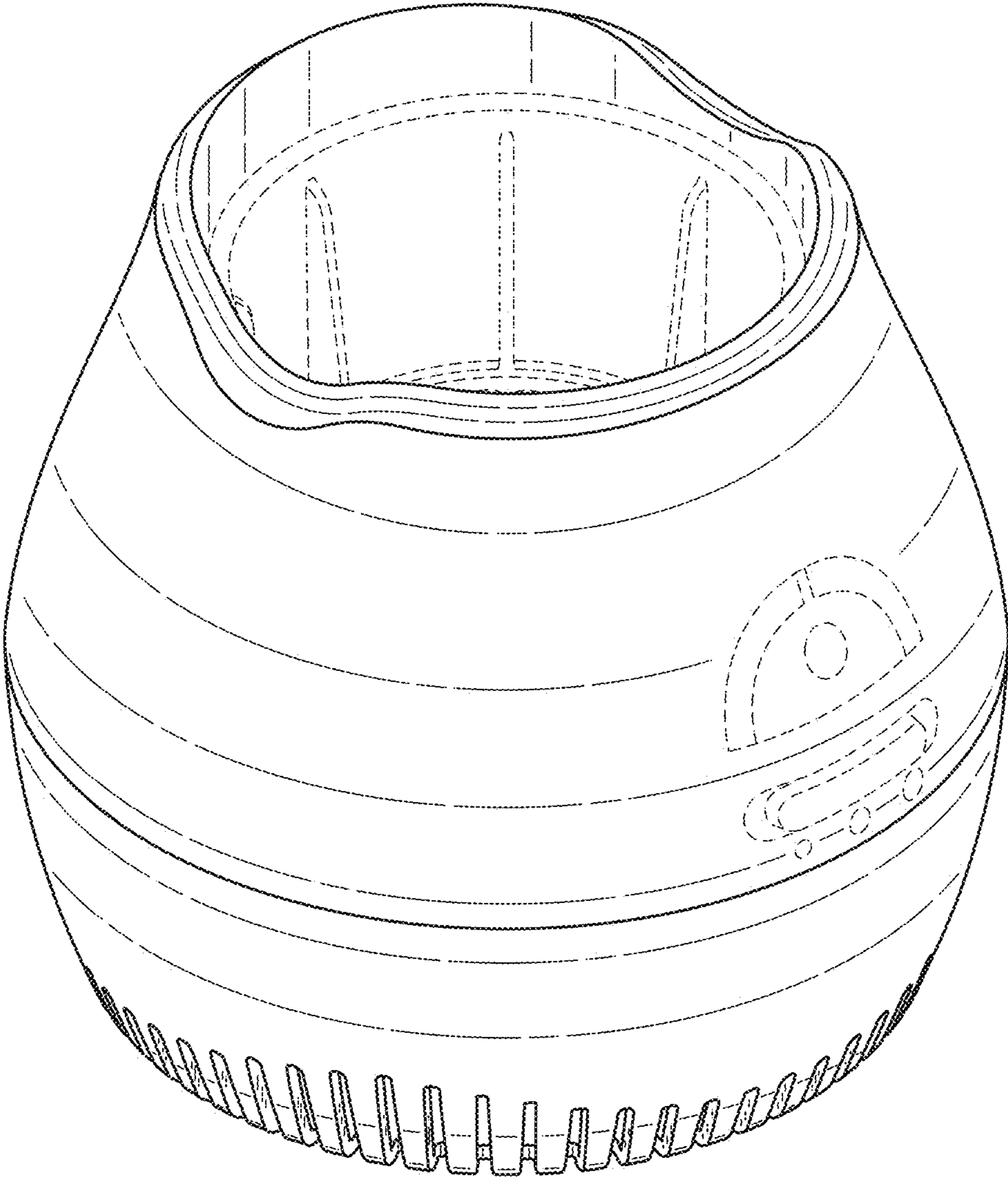


FIG.9

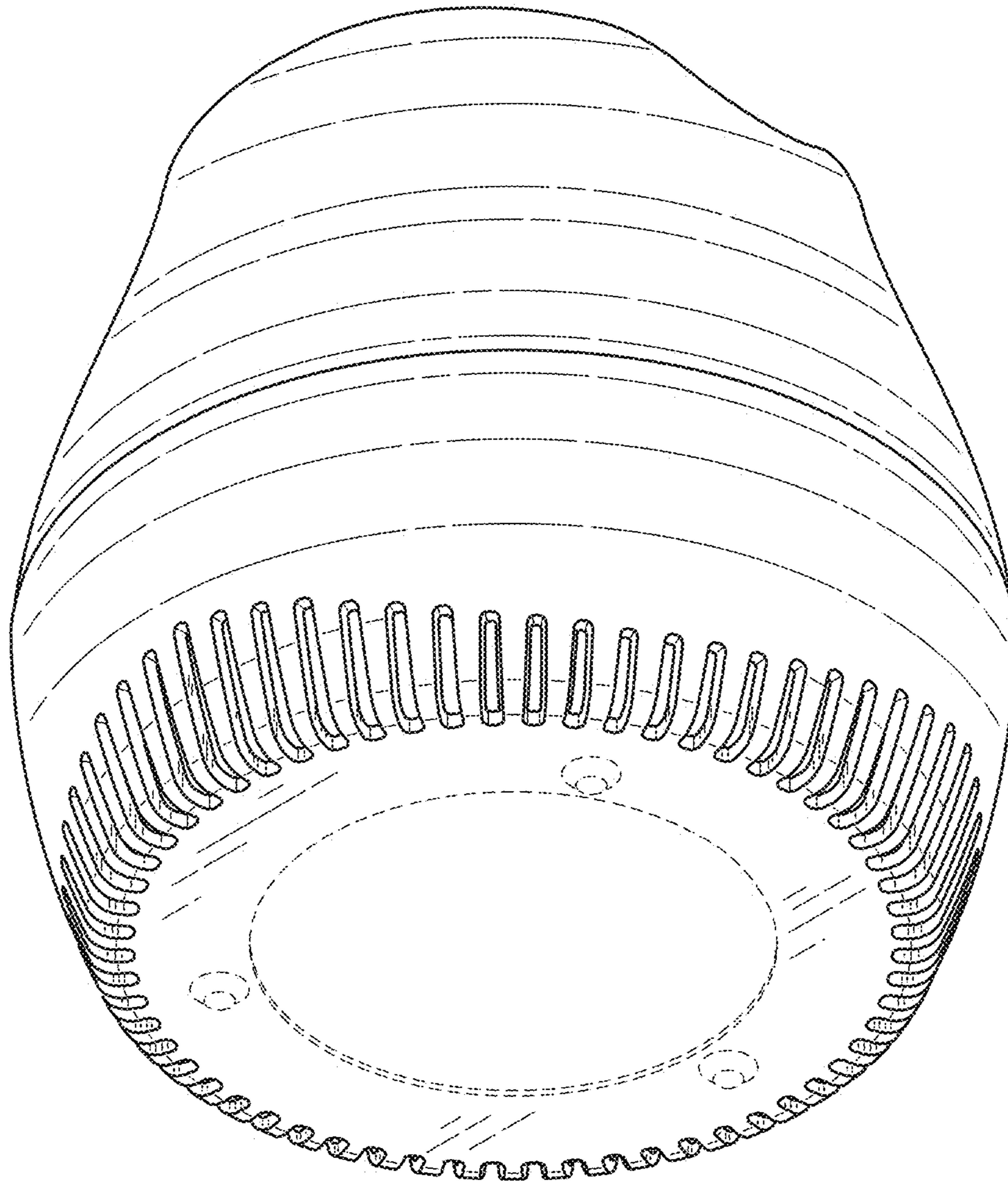


FIG.10

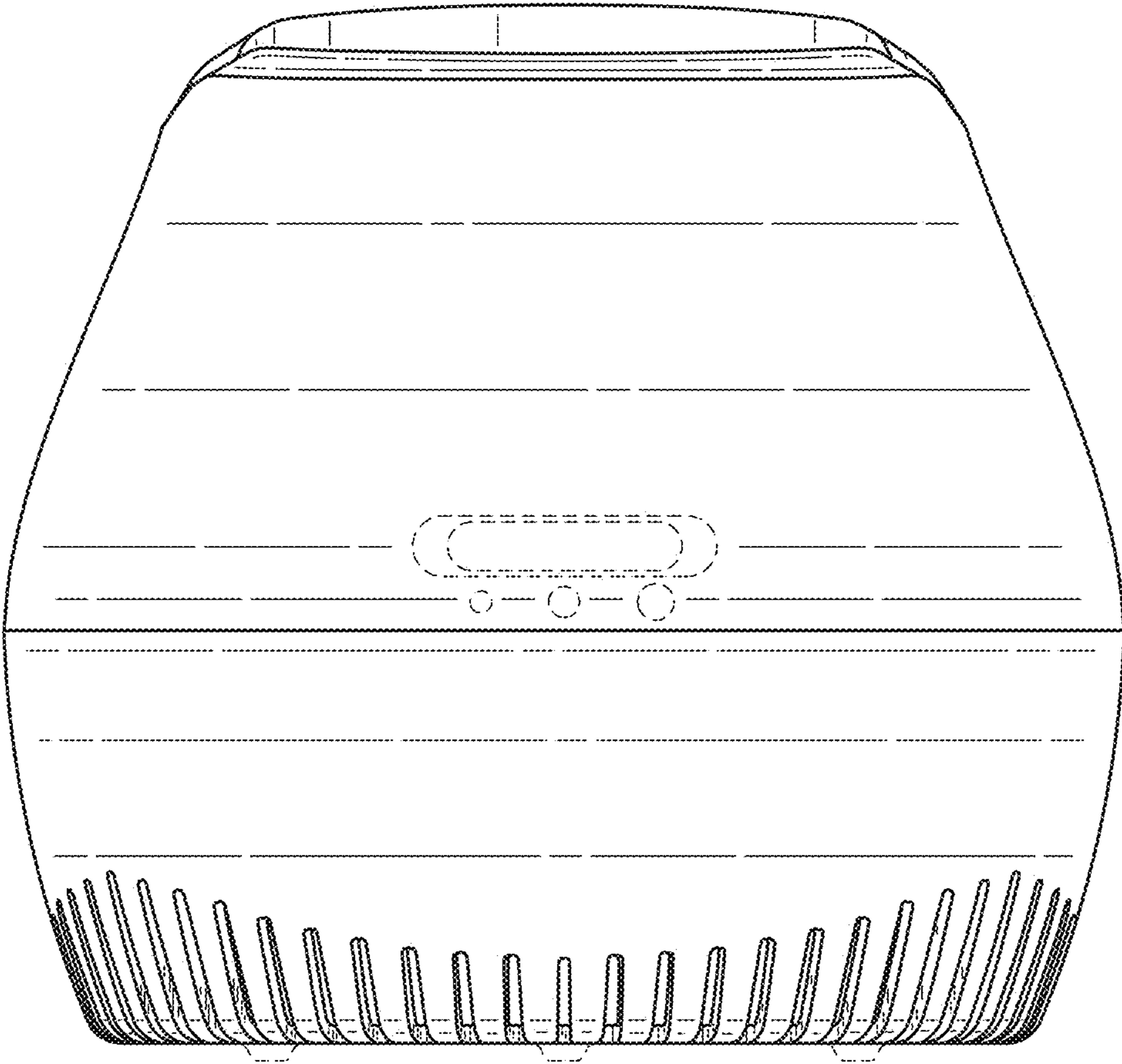


FIG. 11

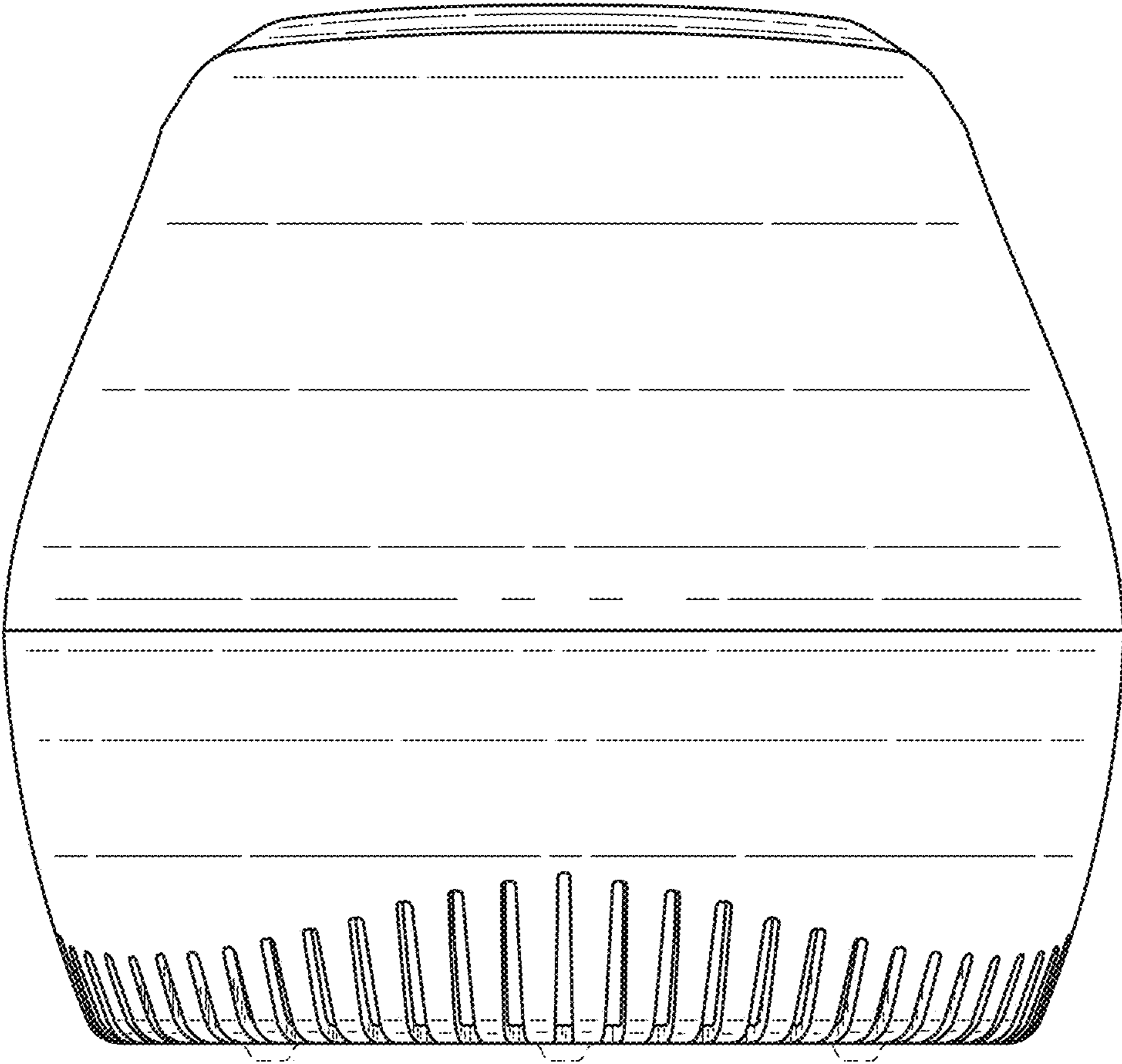


FIG.12

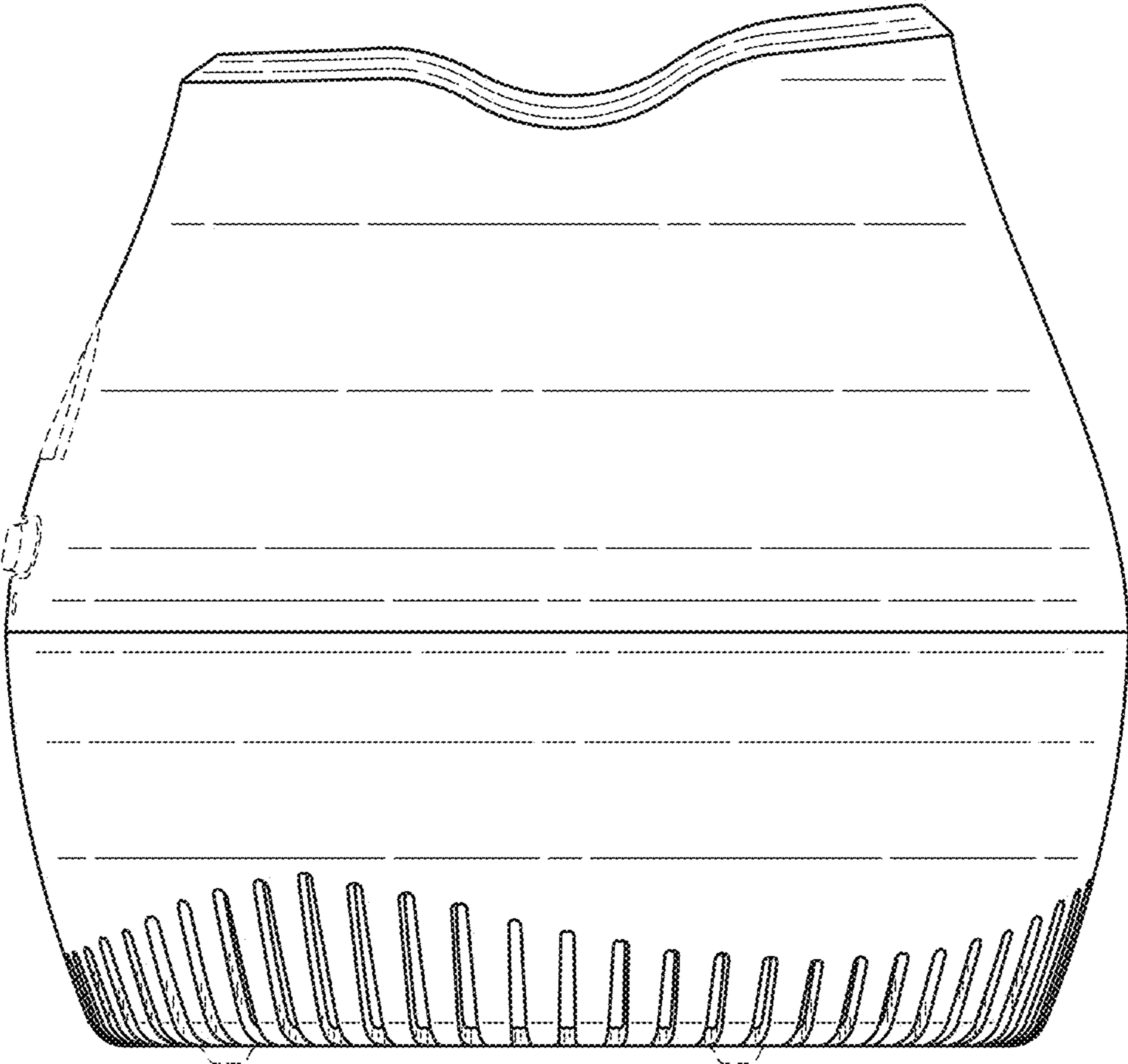


FIG.13

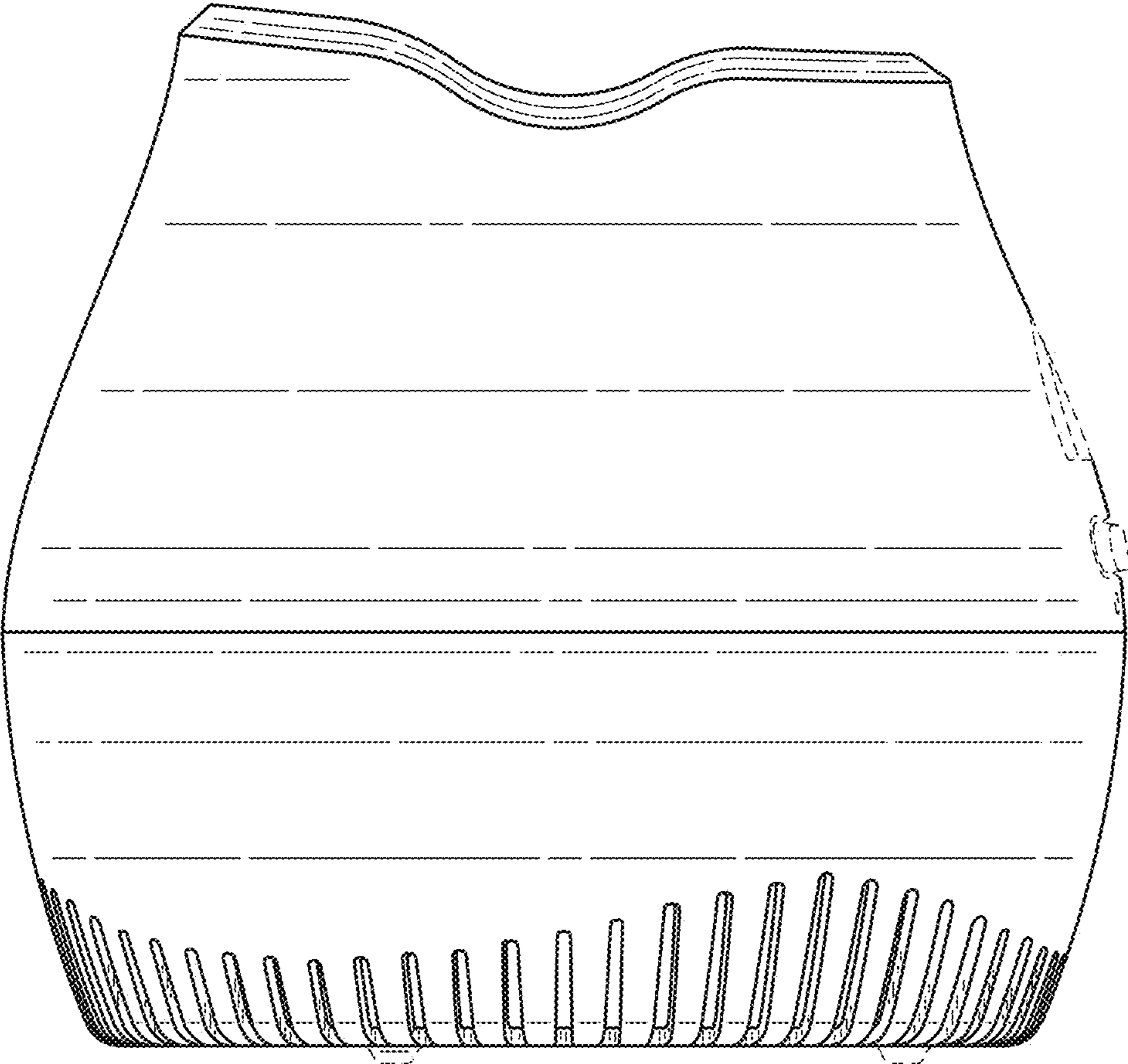


FIG.14

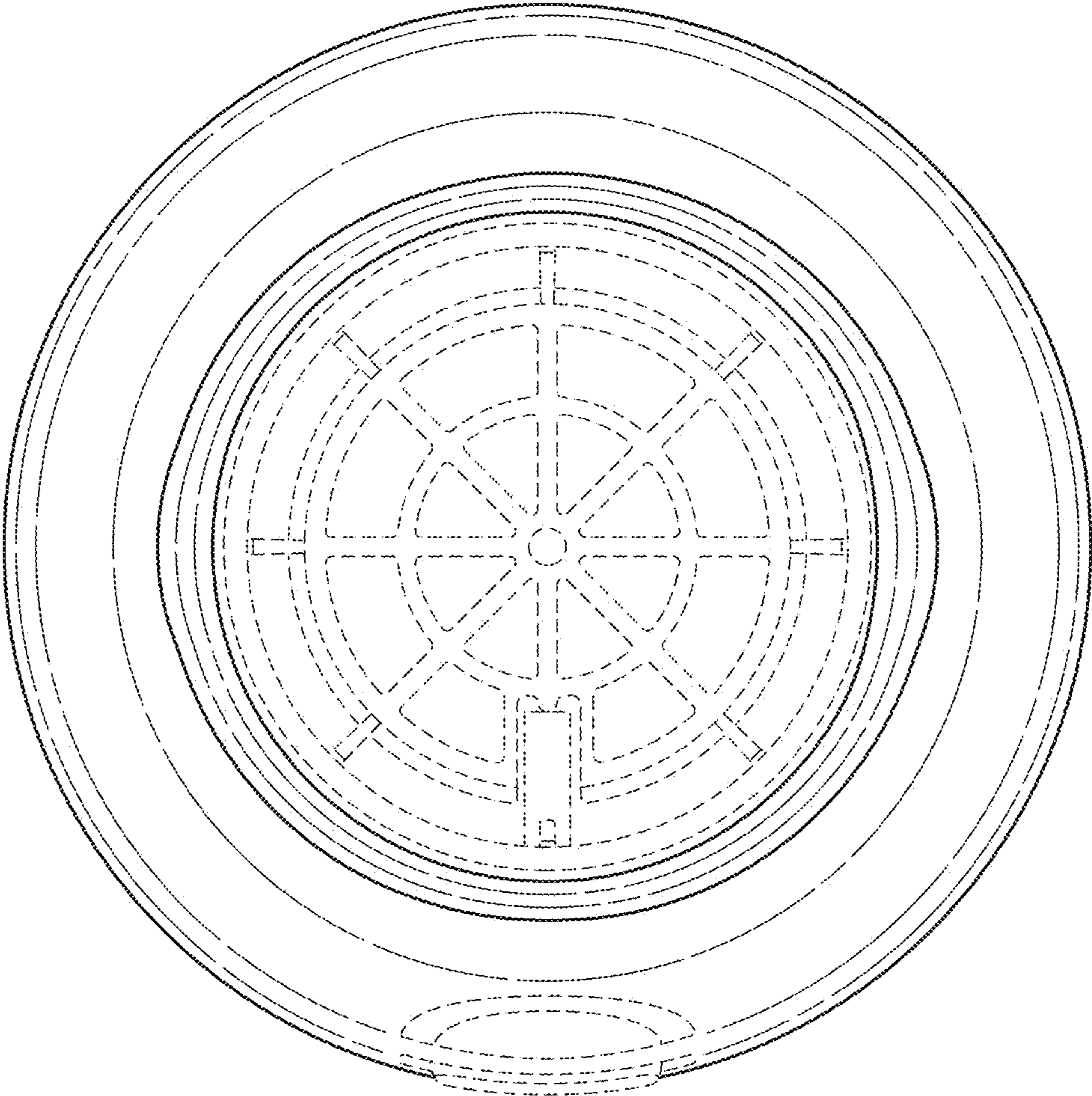


FIG.15

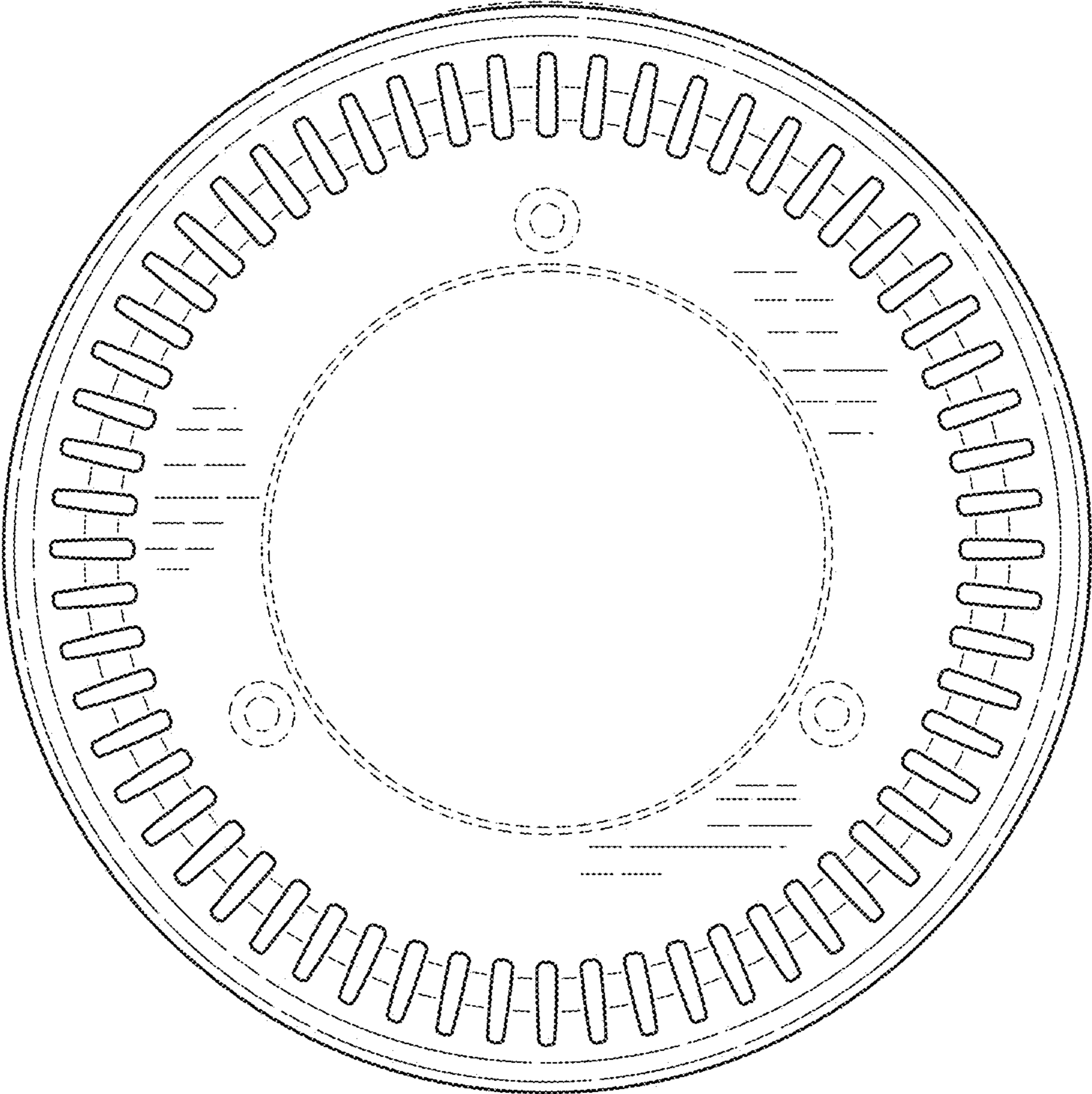


FIG.16

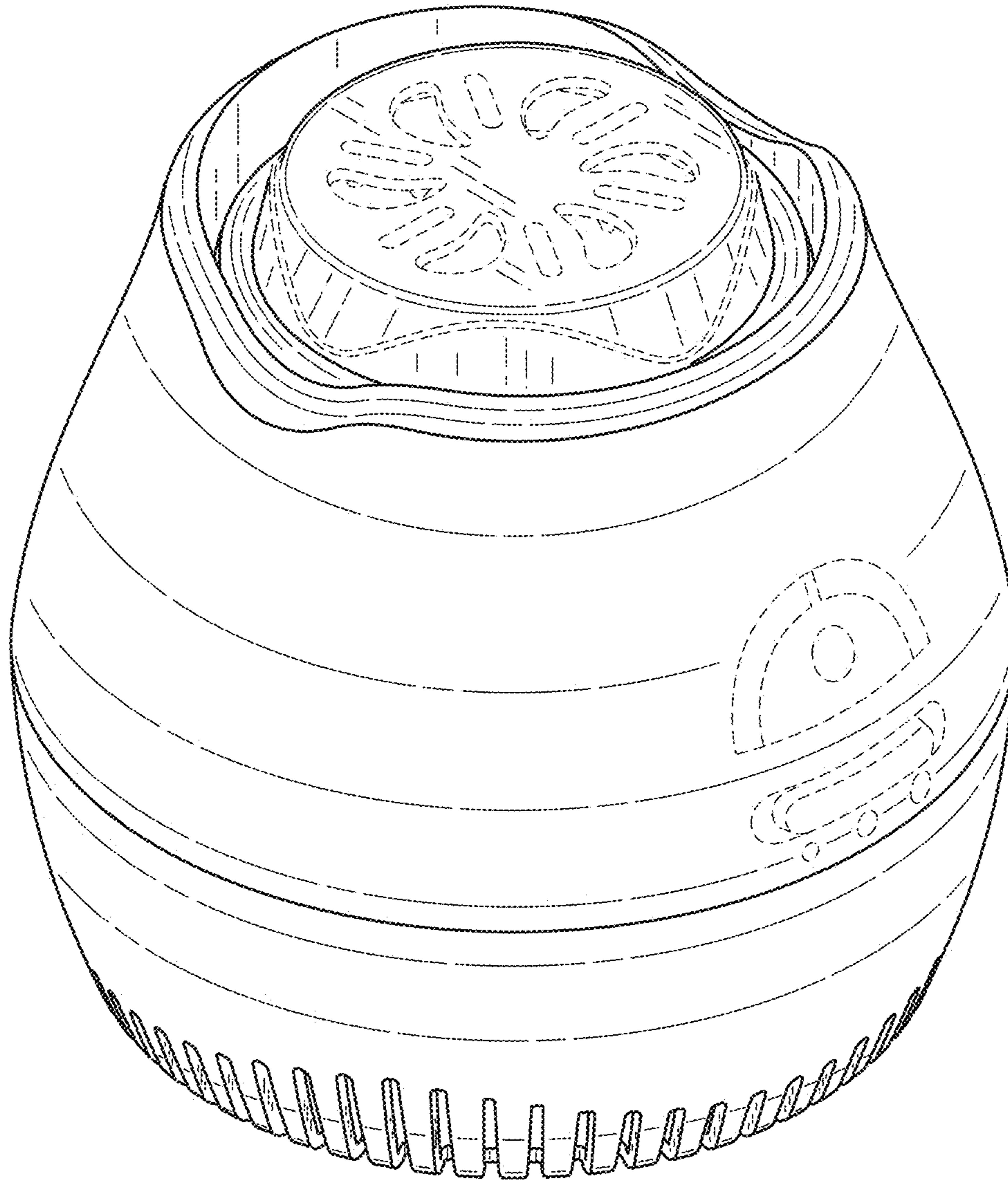


FIG.17

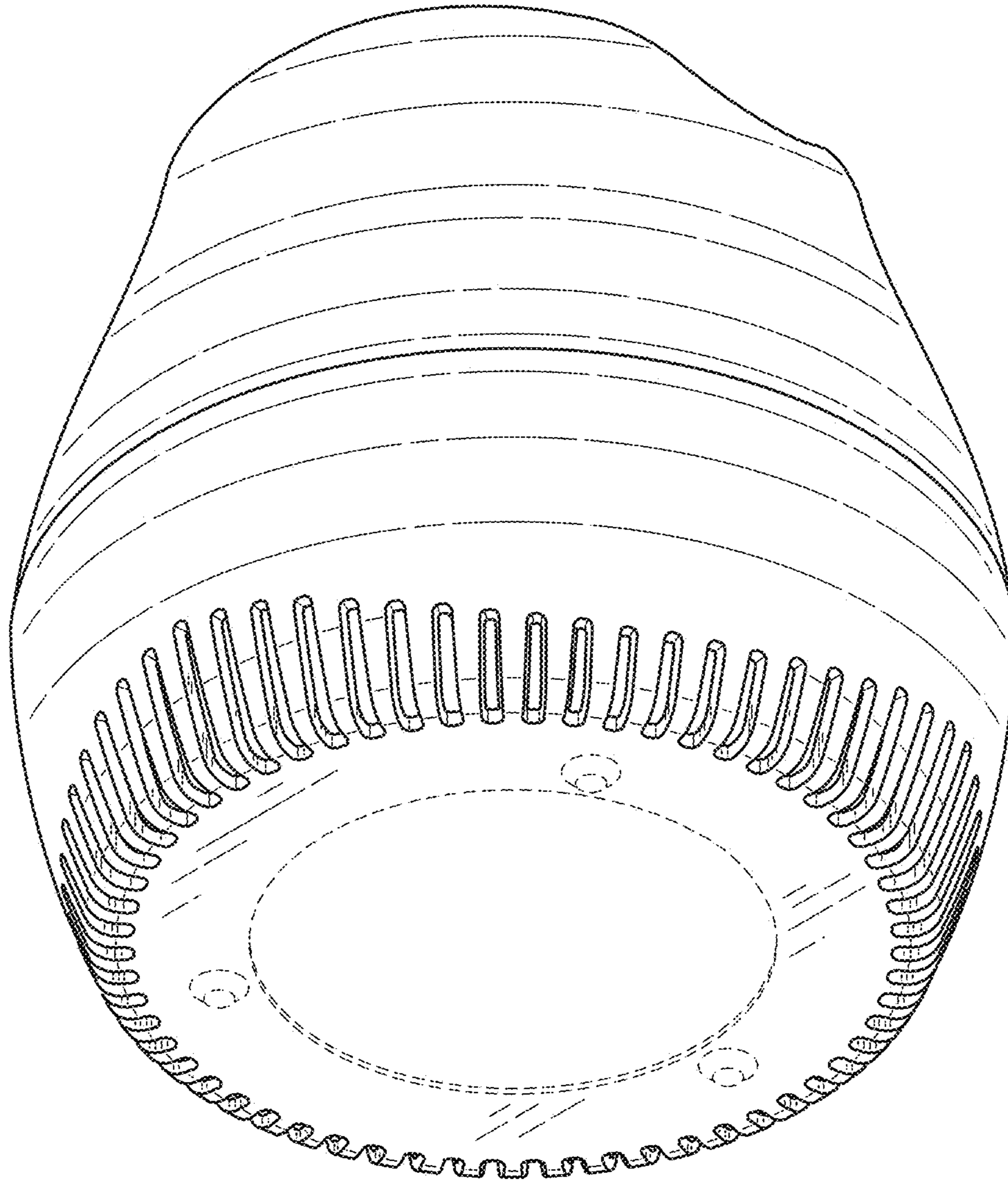


FIG.18

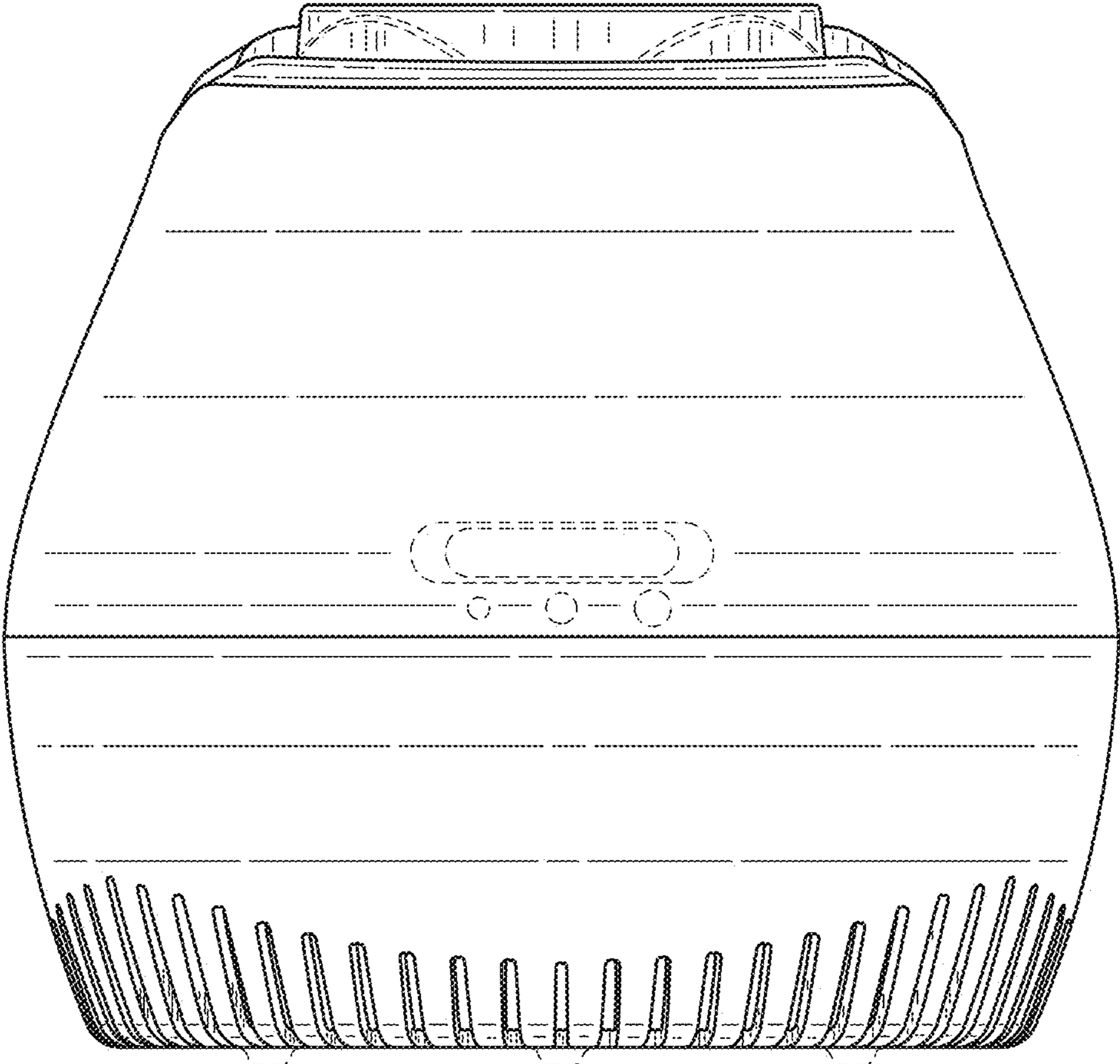


FIG.19

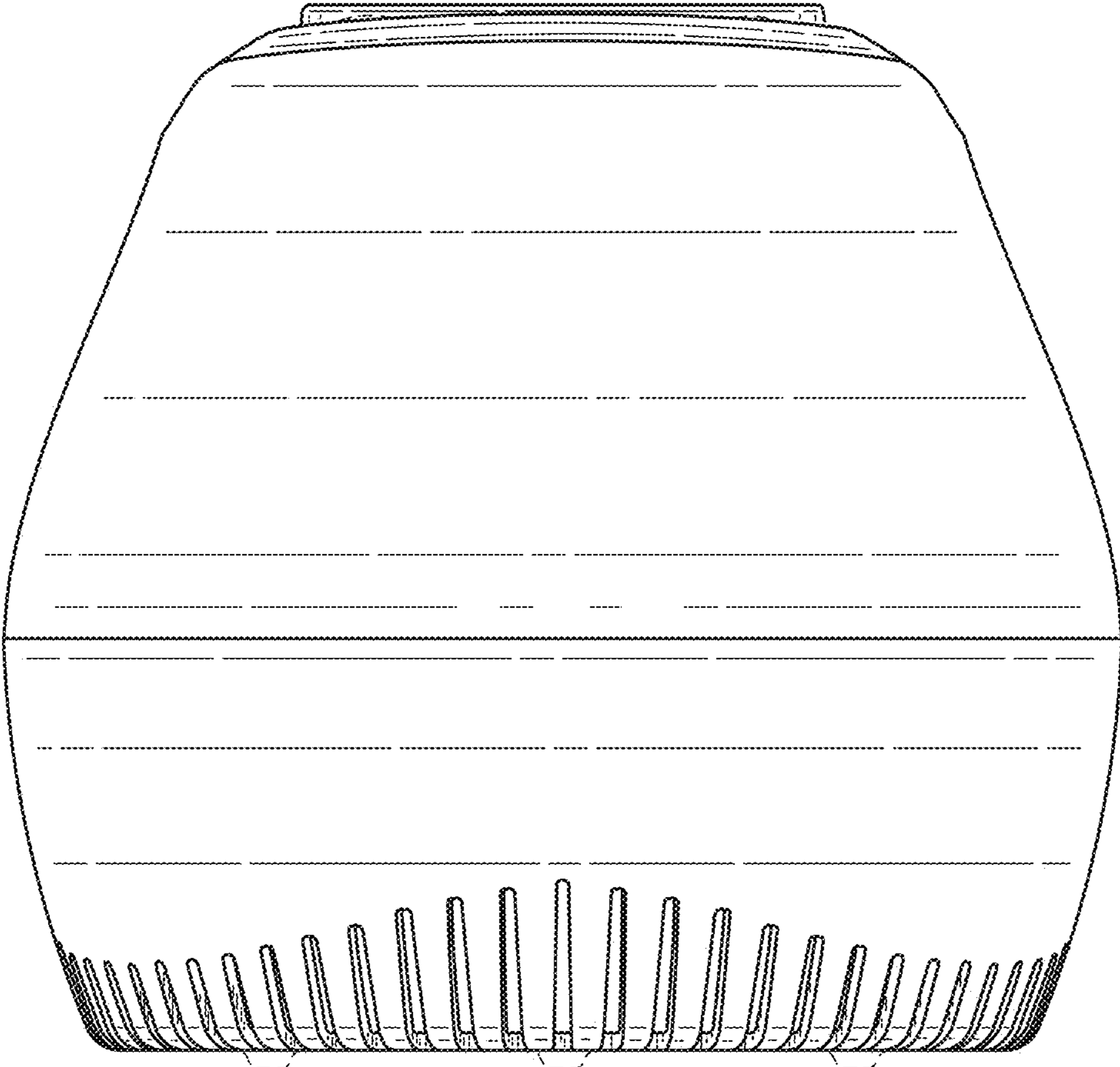


FIG.20

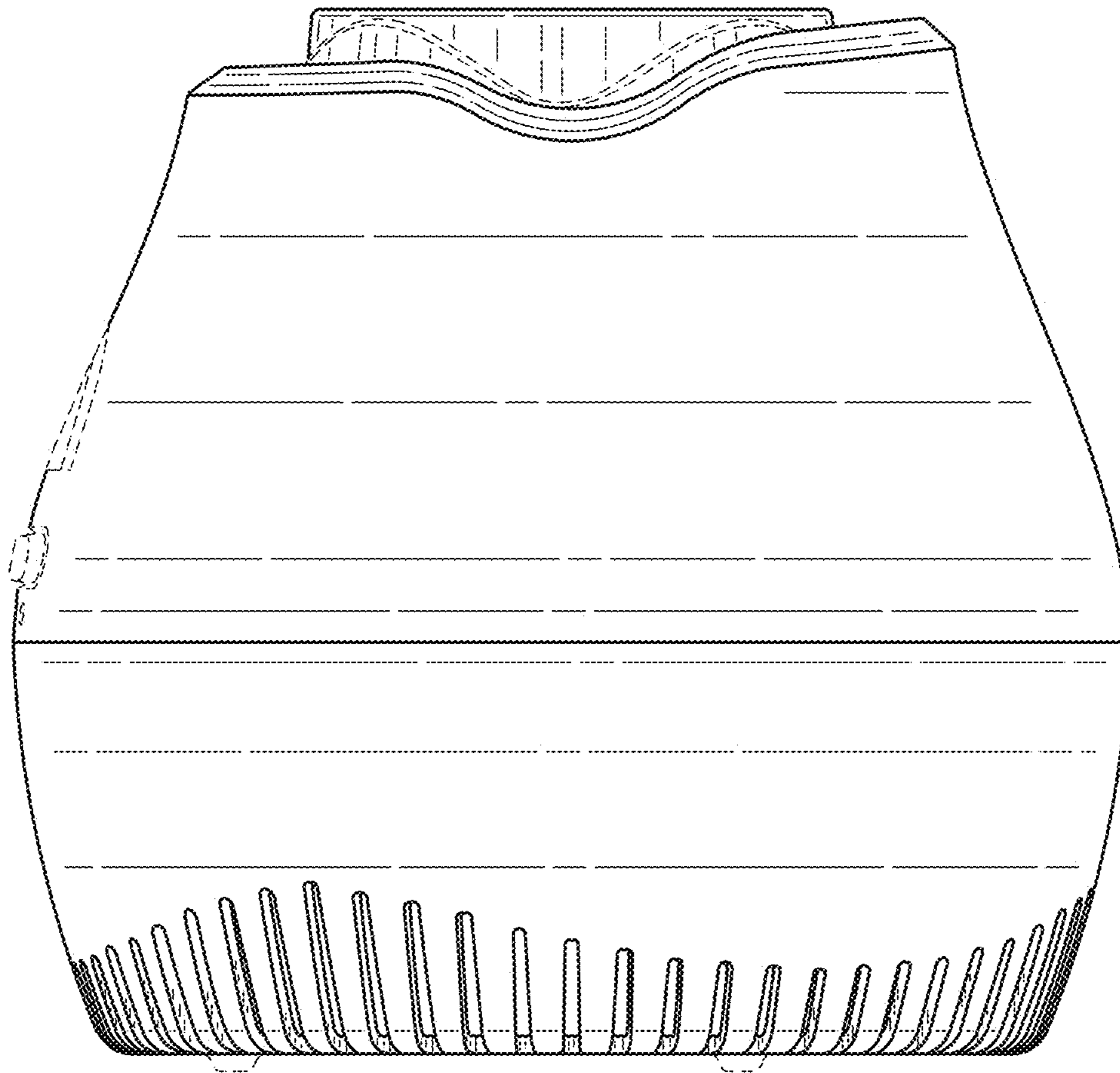


FIG.21

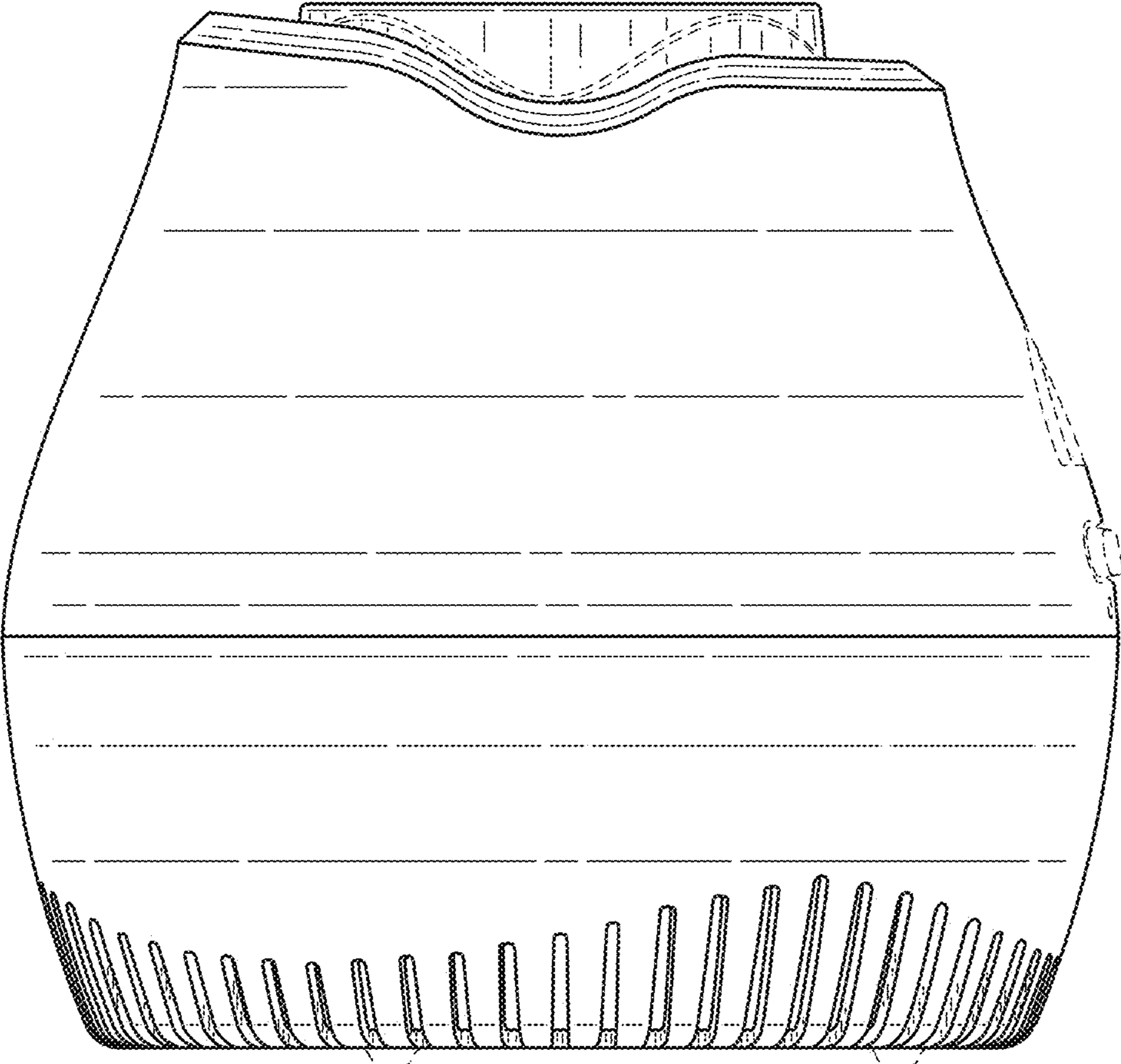


FIG.22

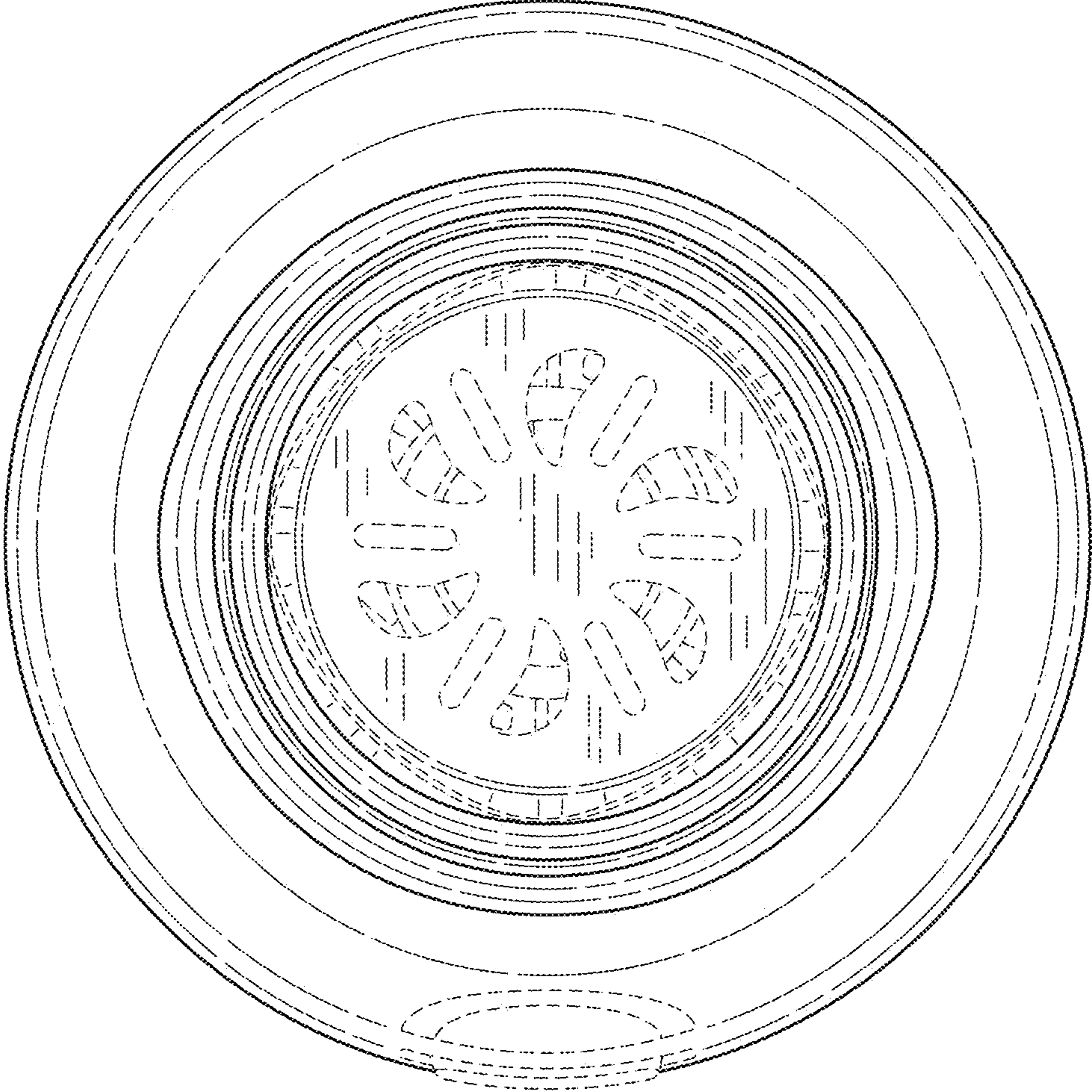


FIG.23

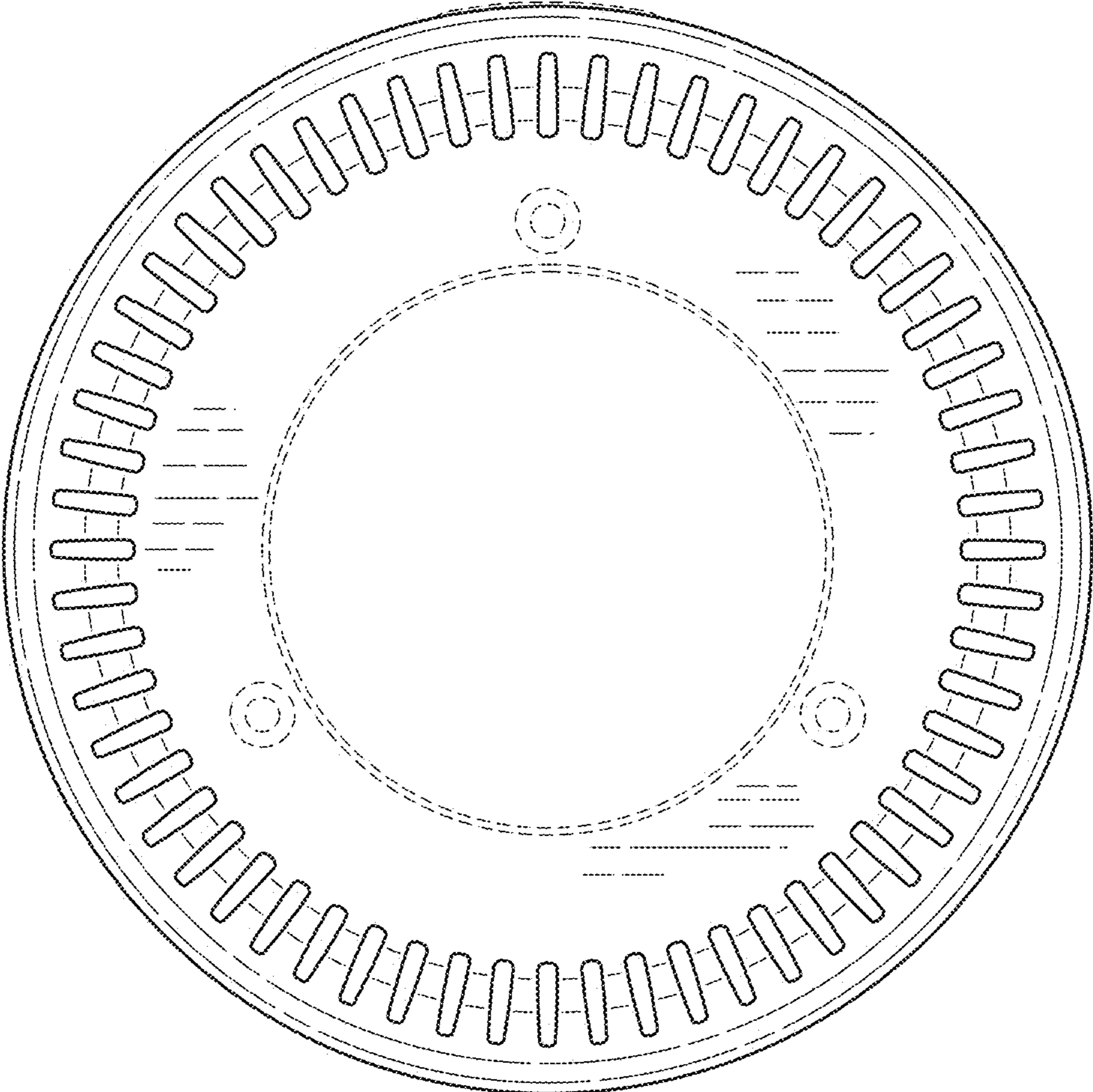


FIG.24