



US00D952826S

(12) **United States Design Patent**
Zhan

(10) **Patent No.:** **US D952,826 S**

(45) **Date of Patent:** **** May 24, 2022**

(54) **AIR PURIFIER**

(71) Applicant: **Yunying Zhan**, Guigang (CN)

(72) Inventor: **Yunying Zhan**, Guigang (CN)

(**) Term: **15 Years**

(21) Appl. No.: **29/766,729**

(22) Filed: **Jan. 18, 2021**

(30) **Foreign Application Priority Data**

Aug. 24, 2020 (CN) 202030488048.8

(51) **LOC (13) Cl.** **23-04**

(52) **U.S. Cl.**
USPC **D23/364**

(58) **Field of Classification Search**
USPC D23/355-366, 352, 369, 332, 333, 335,
D23/336, 342, 351; 422/120, 122;
55/356, 473, 504; 96/97; 261/DIG. 17,
261/DIG. 65, DIG. 88, DIG. 31
CPC .. A61L 9/16; A61L 9/22; B01D 47/00; B01D
47/027; B01D 2221/02; B01D 2259/4508;
B03C 3/155; B03C 3/368; F24F 3/16;
F24F 13/20; F24F 13/28
See application file for complete search history.

(56) **References Cited**

U.S. PATENT DOCUMENTS

D838,824 S * 1/2019 Sun D23/364
D844,766 S * 4/2019 Miao D23/364
D852,344 S * 6/2019 Hua A61L 9/16
D23/364
D862,673 S * 10/2019 Tang D23/364
D917,683 S * 4/2021 Xie D23/359

D919,780 S * 5/2021 Li D23/359
D928,298 S * 8/2021 Zuo D23/364
D935,589 S * 11/2021 Lu D23/364
D941,979 S * 1/2022 Luo D23/359
D942,602 S * 2/2022 Yu D23/356
D942,605 S * 2/2022 Yu D23/364
D943,074 S * 2/2022 Huang D23/356
D943,720 S * 2/2022 Pease D23/335

* cited by examiner

Primary Examiner — David G Muller

(74) *Attorney, Agent, or Firm* — ScienBiziP, P.C.

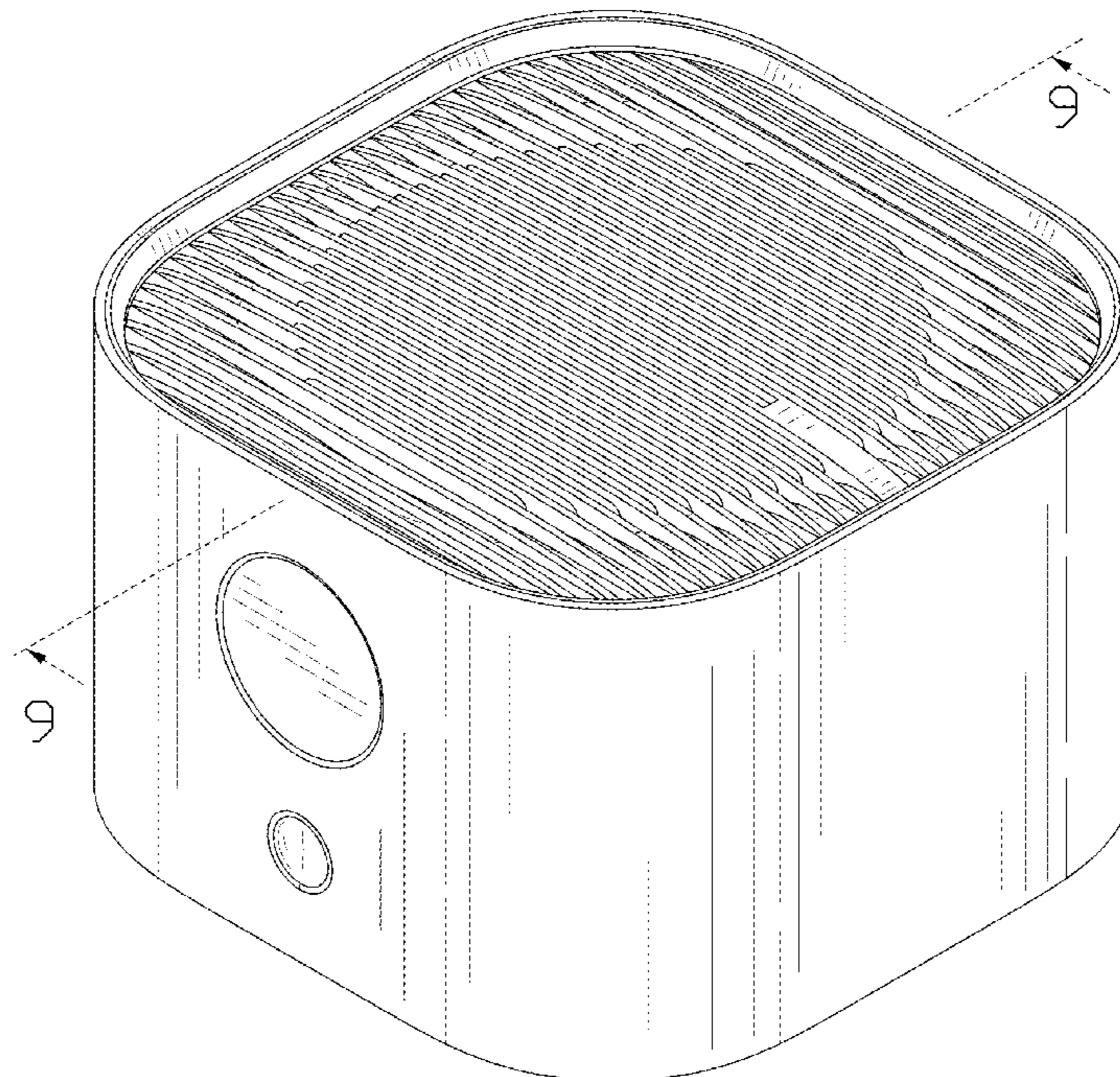
(57) **CLAIM**

The ornamental design for an air purifier, as shown and described.

DESCRIPTION

FIG. 1 is a front, right, and top perspective view of an air purifier, showing my design.
FIG. 2 is a rear, left, and bottom perspective view thereof.
FIG. 3 is a front elevation view thereof.
FIG. 4 is a rear elevation view thereof.
FIG. 5 is a left side elevation view thereof.
FIG. 6 is a right side elevation view thereof.
FIG. 7 is a top plan view thereof.
FIG. 8 is a bottom plan view thereof; and,
FIG. 9 is a cross-sectional view of the air purifier of FIG. 1, taken along section line 9-9 as depicted in FIG. 1.
The broken lines shown in the drawings are included for the purpose of illustrating portions of the air purifier that form no part of the claimed design.

1 Claim, 9 Drawing Sheets



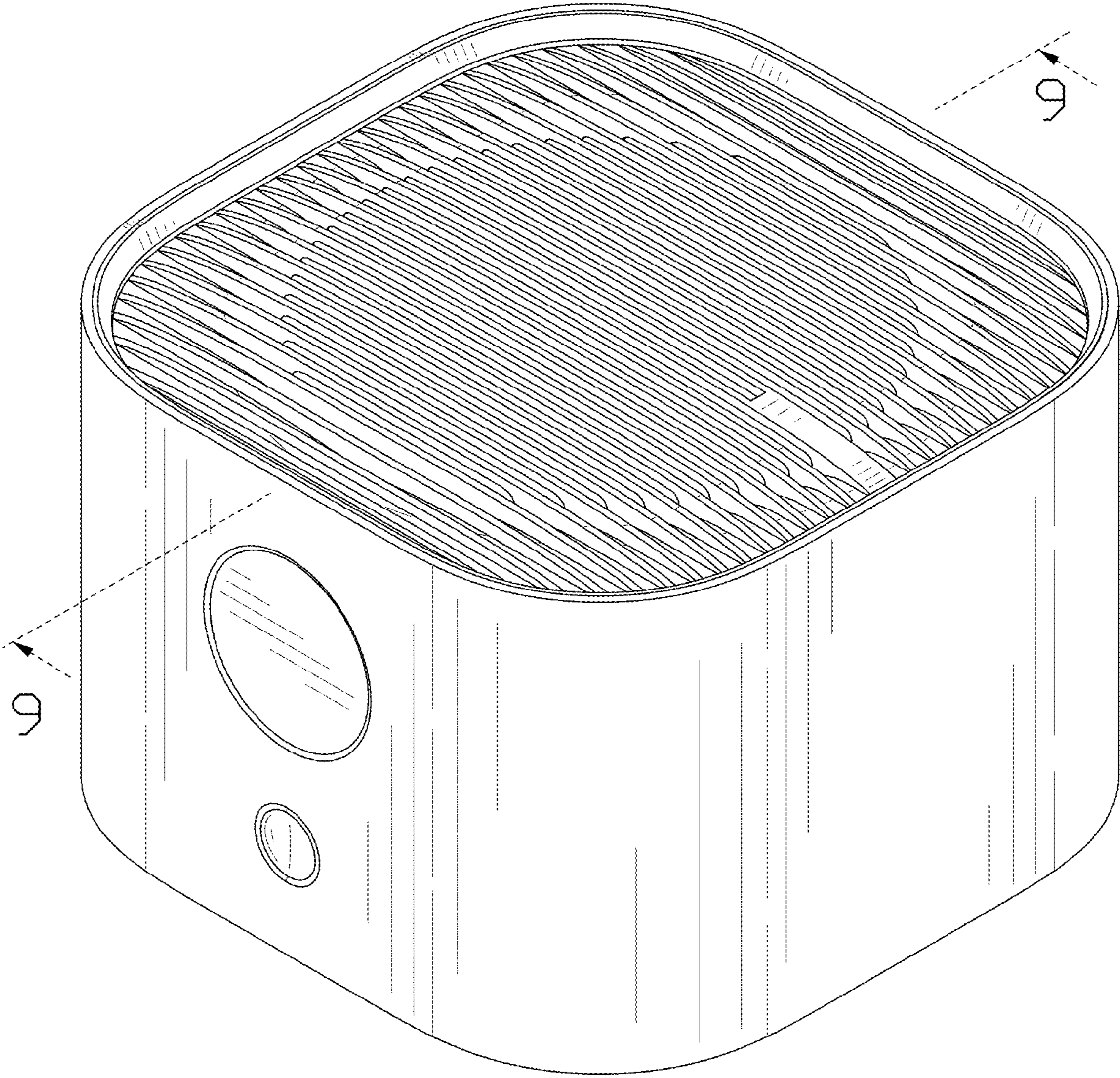


FIG. 1

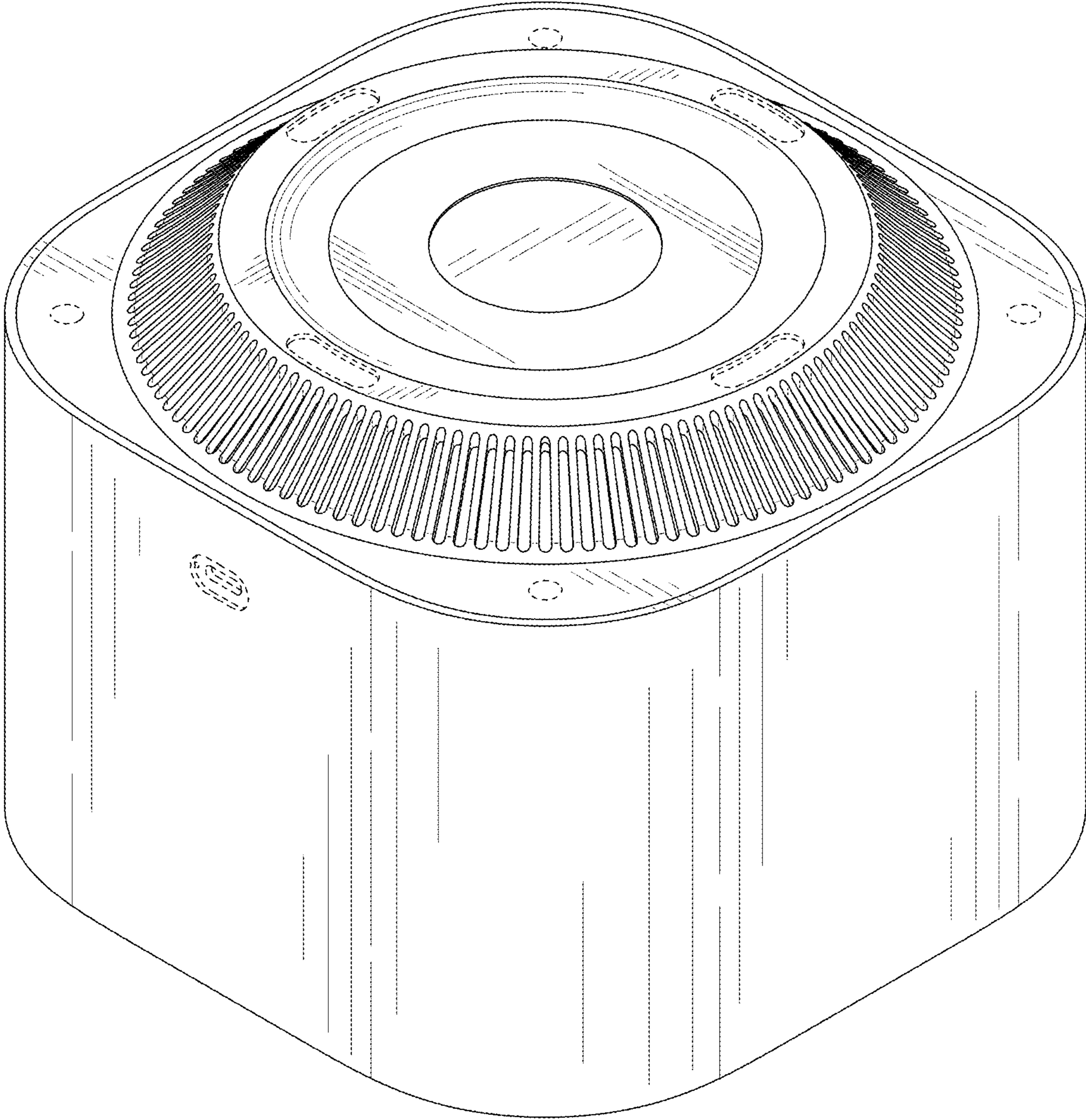


FIG. 2

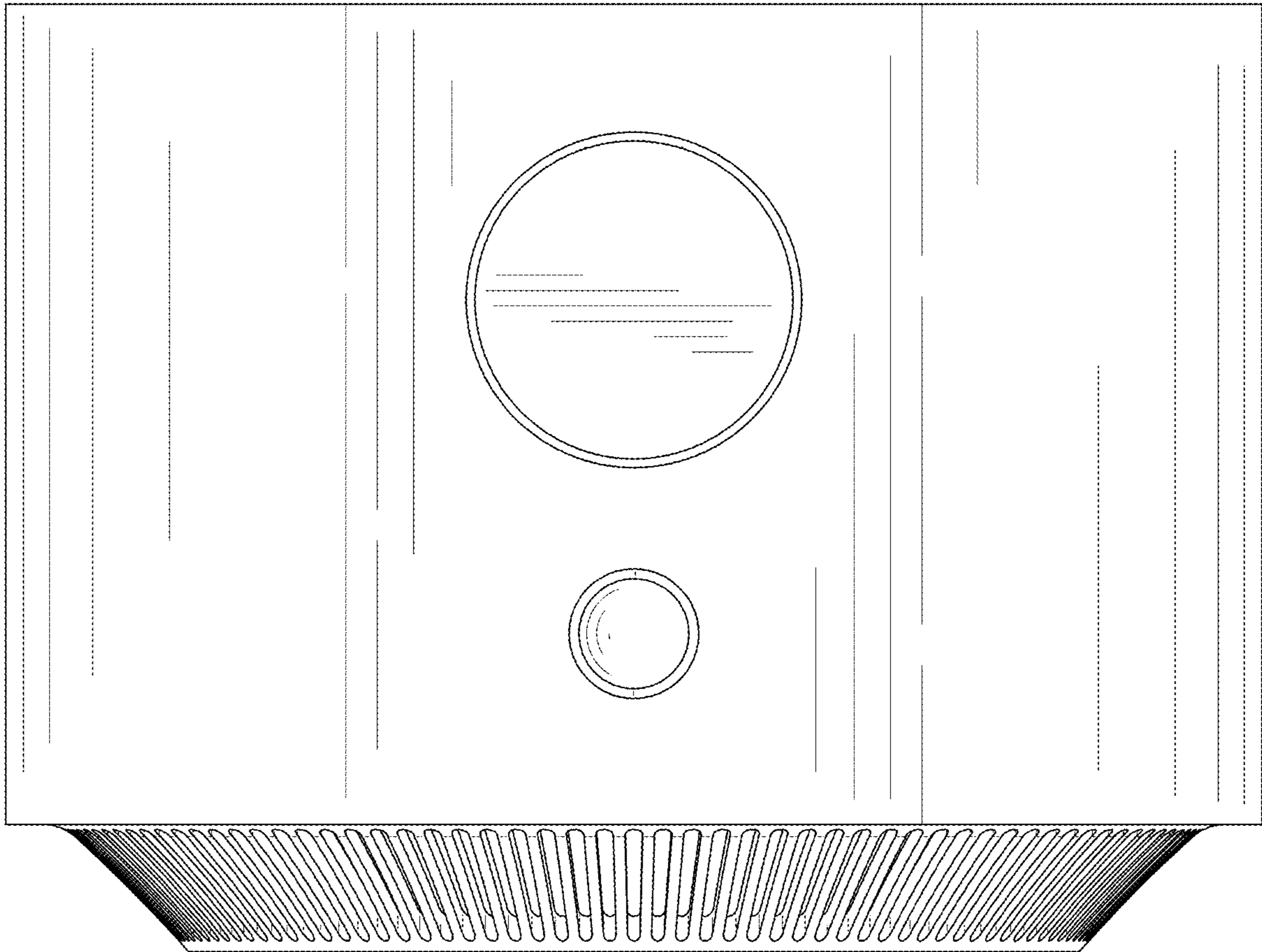


FIG. 3

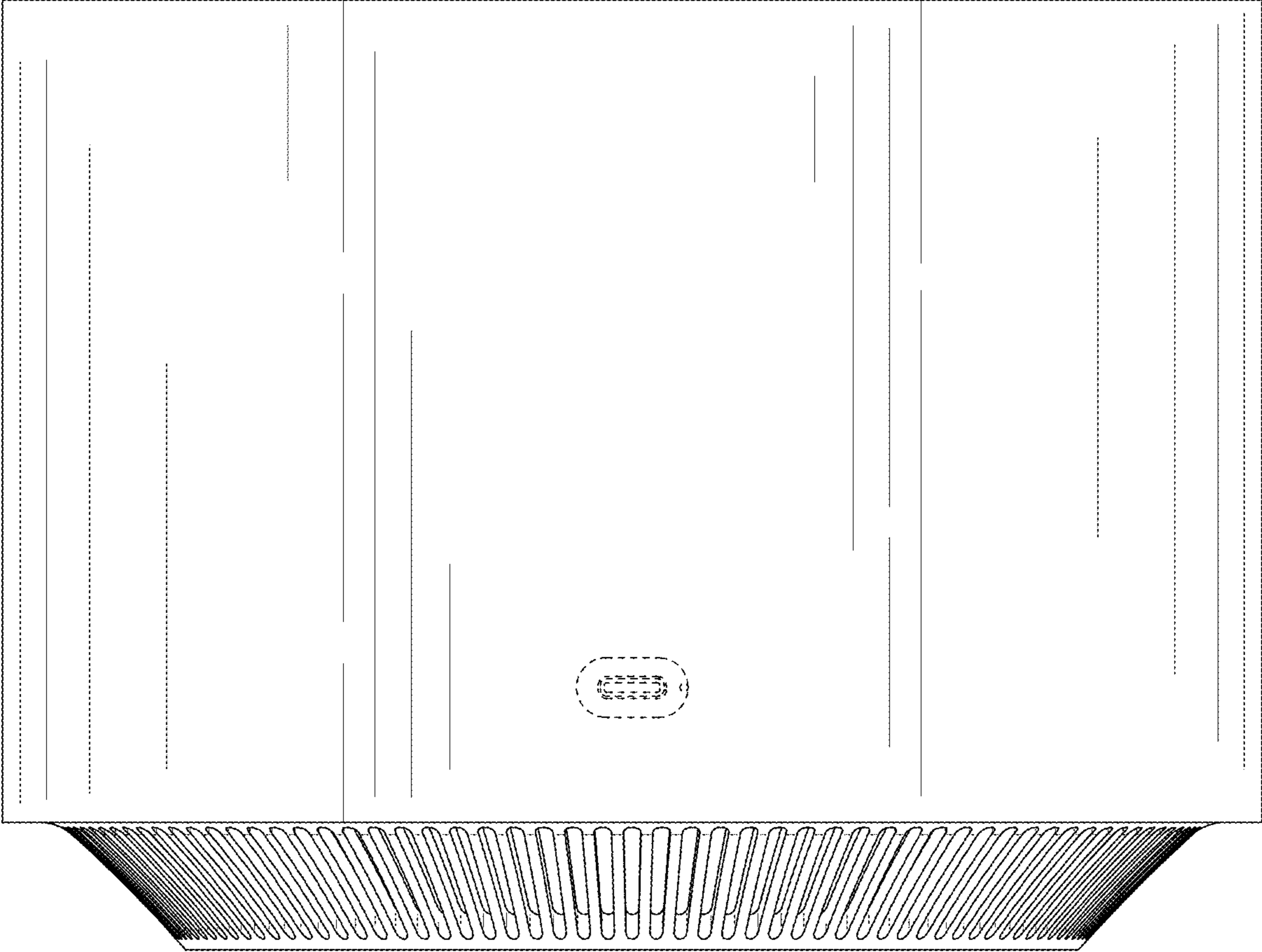


FIG. 4

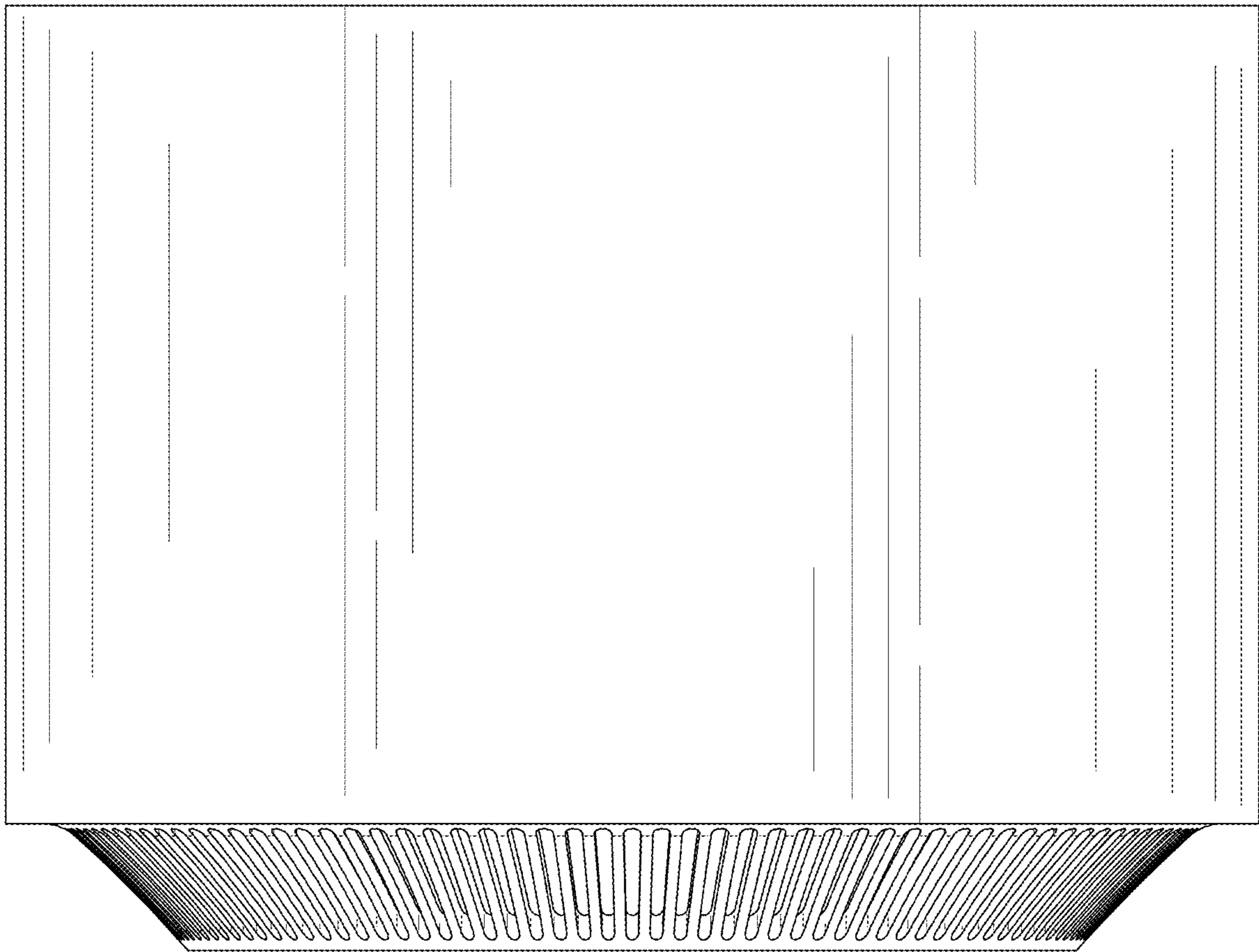


FIG. 5

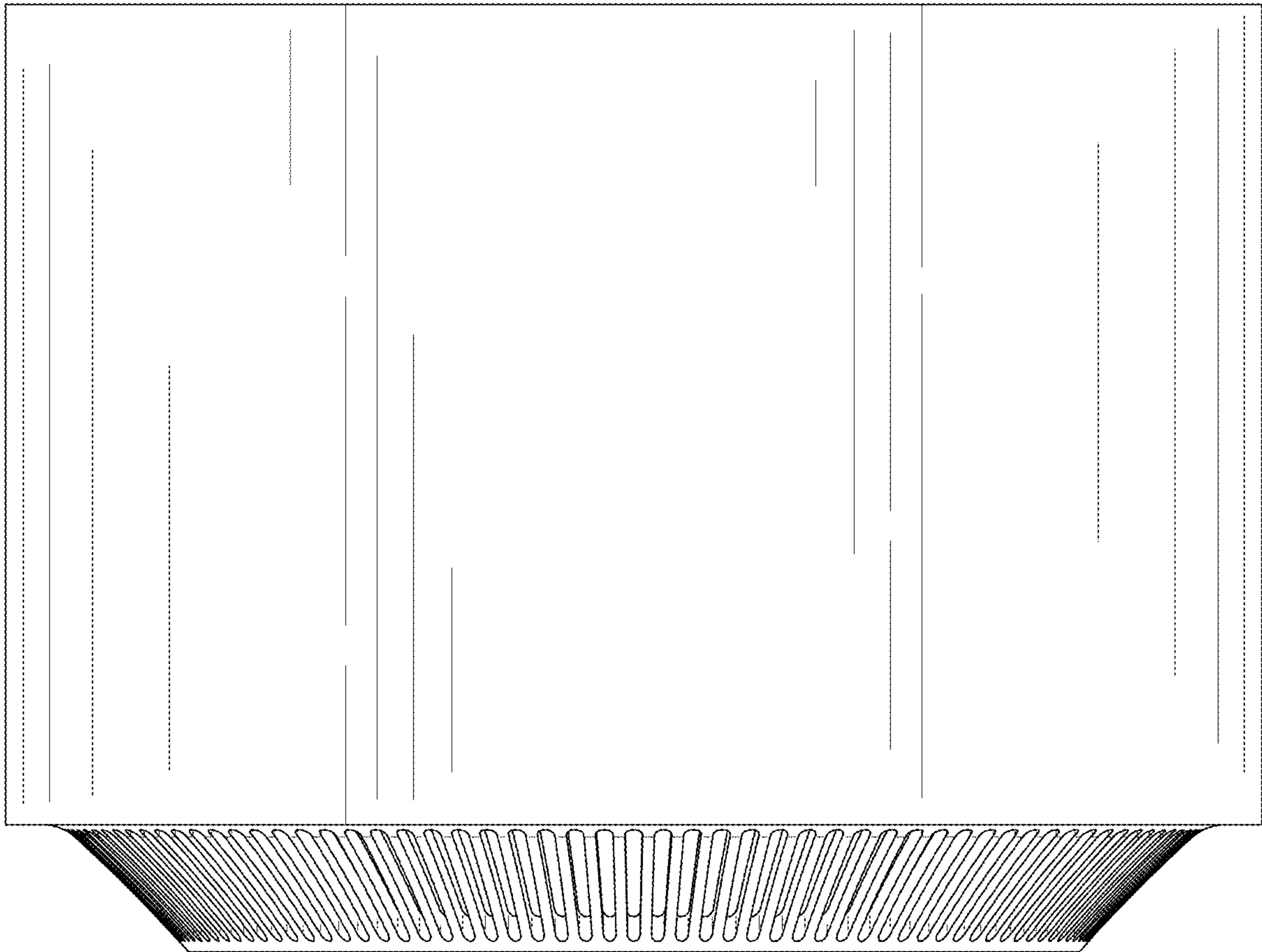


FIG. 6

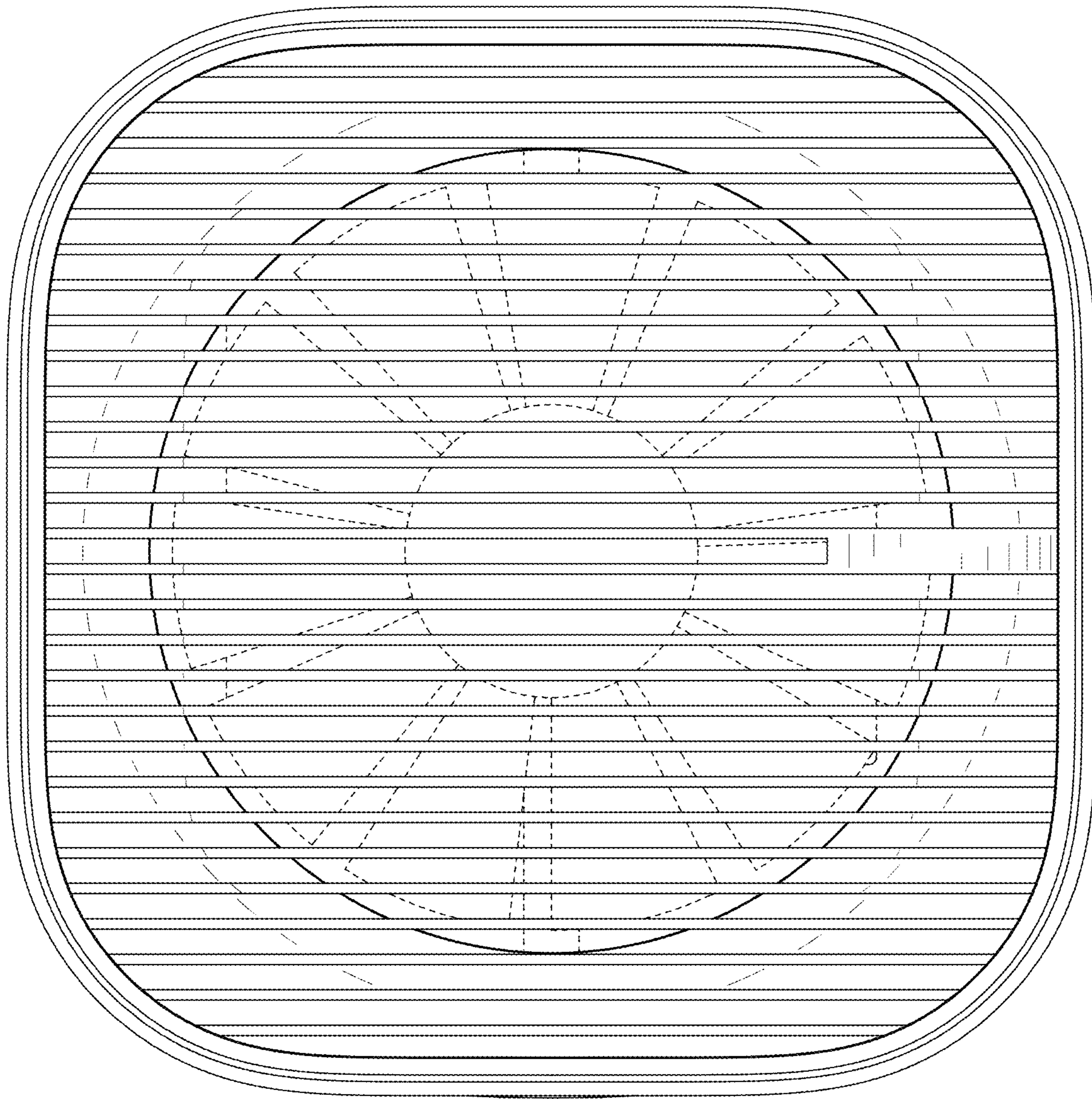


FIG. 7

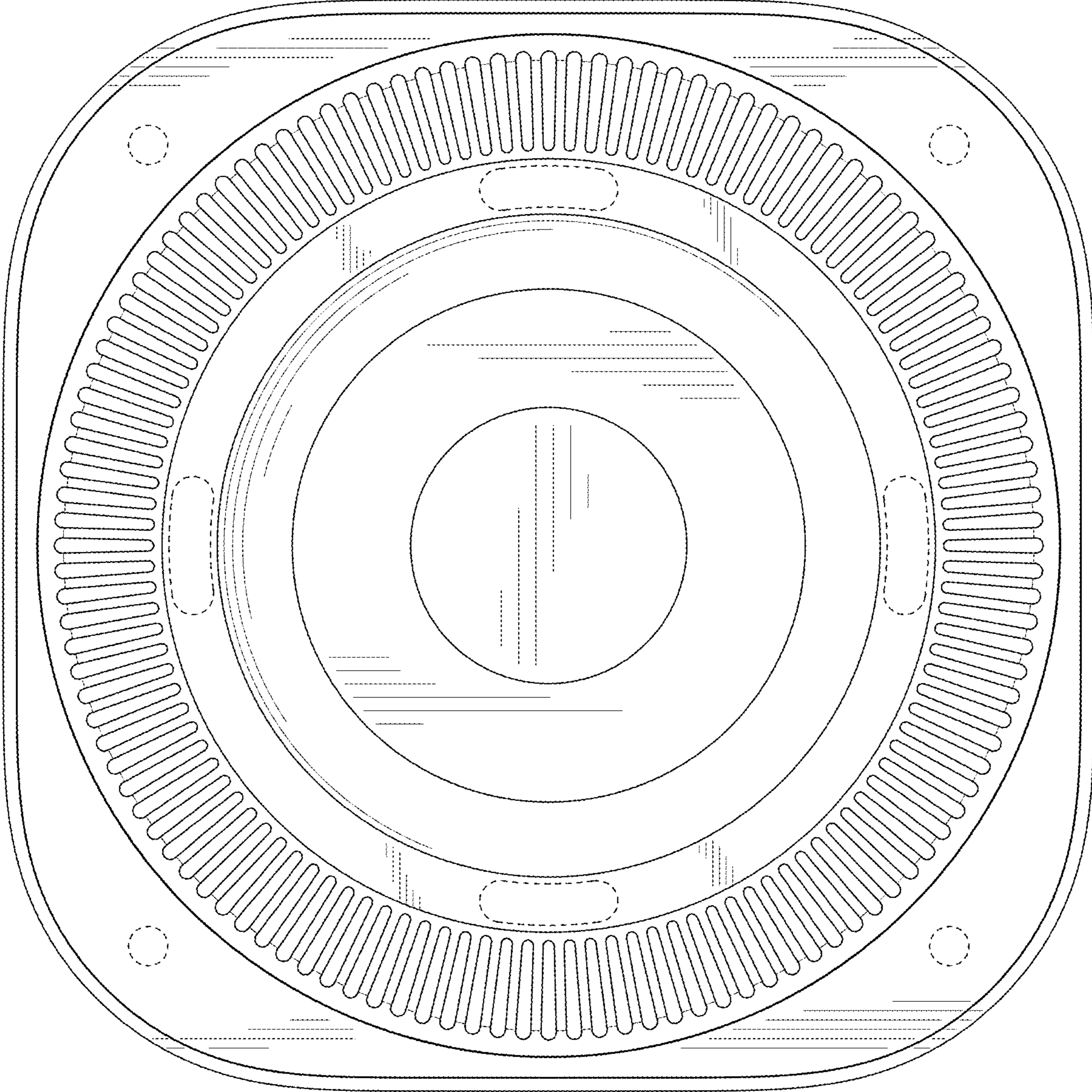


FIG. 8

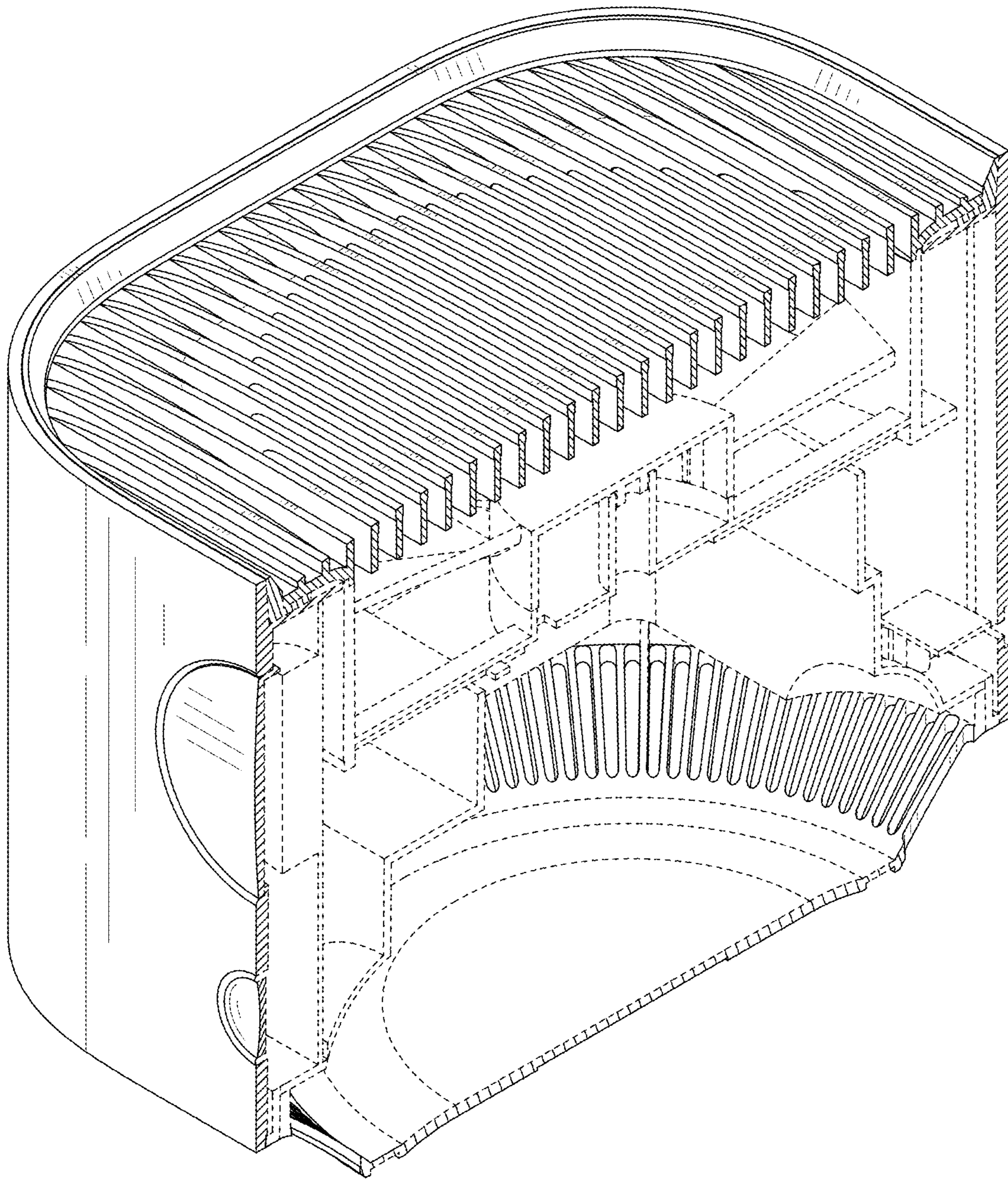


FIG. 9