



US00D952825S

(12) **United States Design Patent** (10) **Patent No.:** **US D952,825 S**
Ao (45) **Date of Patent:** **** May 24, 2022**

(54) **AIR PURIFIER**

(71) Applicant: **Shenzhen Xiluo Technology Co., Ltd,**
Shenzhen (CN)

(72) Inventor: **Chengqian Ao,** Shenzhen (CN)

(**) Term: **15 Years**

(21) Appl. No.: **29/762,087**

(22) Filed: **Dec. 15, 2020**

(30) **Foreign Application Priority Data**

Nov. 4, 2020 (CN) 202030662957.9

(51) **LOC (13) Cl.** **23-04**

(52) **U.S. Cl.**
USPC **D23/364**

(58) **Field of Classification Search**
USPC D23/332, 336, 356, 359, 364–365, 370,
D23/378, 499; D14/216, 221
CPC F24F 1/029; F24F 1/035; F24F 1/0287;
F24F 6/06; F24F 6/14; F24F 13/06; F24F
13/20; F24F 13/222; F24F 3/16; F24F
3/1405; A61L 9/03
See application file for complete search history.

(56) **References Cited**

U.S. PATENT DOCUMENTS

D729,376 S *	5/2015	McPherson	D23/370
D746,425 S *	12/2015	Dyson	D23/356
D746,966 S *	1/2016	Dyson	D23/356
D747,450 S *	1/2016	Dyson	D23/356
D749,231 S *	2/2016	Dyson	D24/206
D838,823 S *	1/2019	Yu	D23/364
D859,620 S *	9/2019	Le	D23/335
D862,672 S *	10/2019	Chen	D23/364
D888,219 S *	6/2020	Peet	D23/370
D888,220 S *	6/2020	Peet	D23/370
D888,927 S *	6/2020	Hodgson	D23/370
D888,928 S *	6/2020	Hodgson	D23/370

D921,865 S *	6/2021	Han	D23/356
D923,767 S *	6/2021	Oram	D23/356
D930,140 S *	9/2021	Fu	D23/370

(Continued)

FOREIGN PATENT DOCUMENTS

CN	303522234	*	12/2015
CN	305612637	*	2/2020
GB	6107804	*	11/2020

OTHER PUBLICATIONS

QUEENTY Desktop Air Purifiers, first available Mar. 31, 2021 [online], [site visited Mar. 18, 2022]. Available from internet, URL:<<https://www.amazon.com/QUEENTY-Desktop-Purifiers-Oscillating-Negative/dp/B091F4S28Z>> (Year: 2021).*

(Continued)

Primary Examiner — Barbara Fox
Assistant Examiner — Jamaal Rasheed
(74) *Attorney, Agent, or Firm* — Runit R. Kanakia

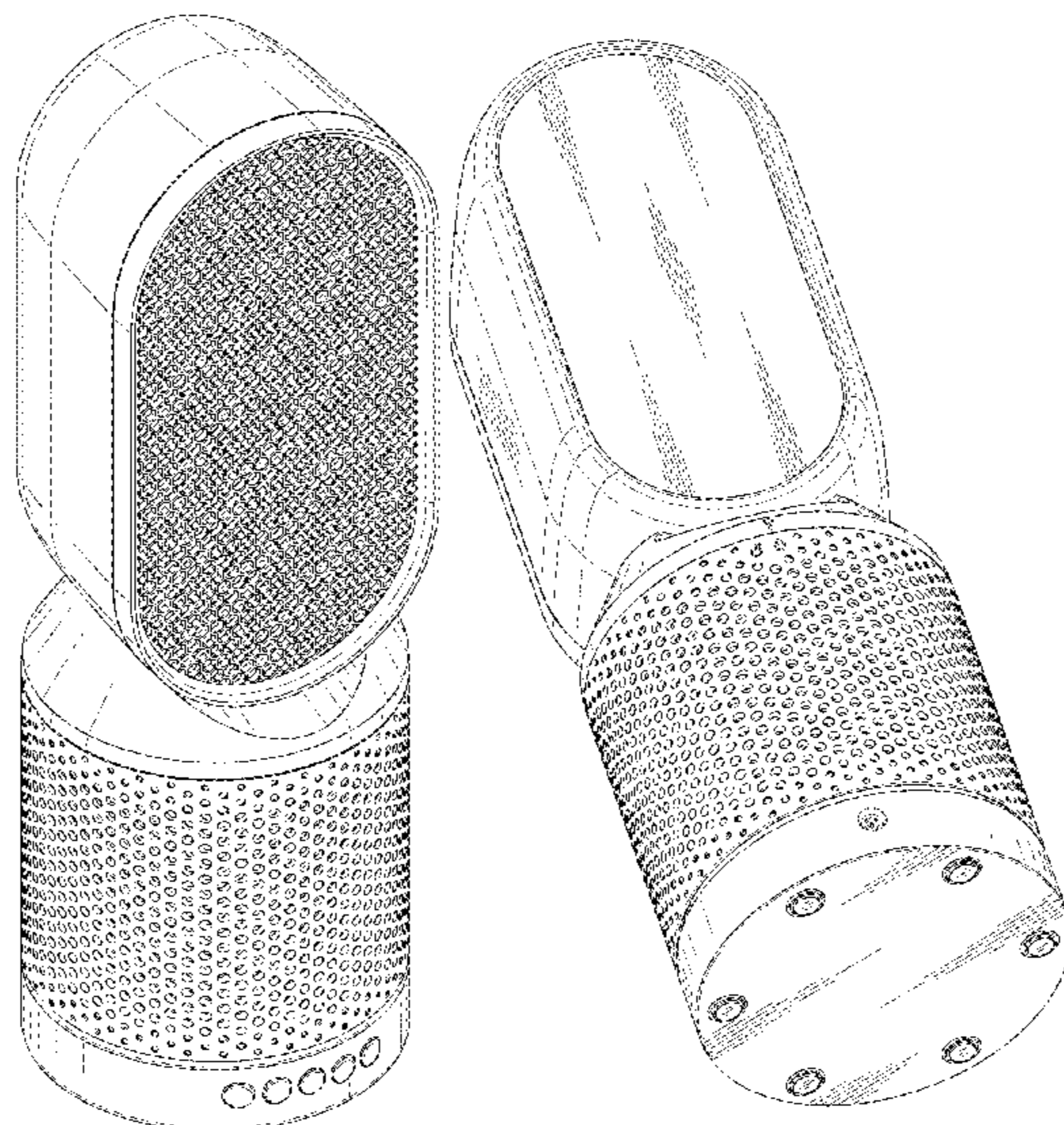
(57) **CLAIM**

The ornamental design for an air purifier, as shown and described.

DESCRIPTION

FIG. 1 is a top front left perspective view of an air purifier showing my new design;
FIG. 2 is a bottom rear perspective view thereof;
FIG. 3 is a front elevational view thereof;
FIG. 4 is a rear elevational view thereof;
FIG. 5 is a left side elevational view thereof;
FIG. 6 is a right side elevational view thereof;
FIG. 7 is a top plan view thereof; and,
FIG. 8 is a bottom plan view thereof.
The broken lines in the drawings are for the purpose of illustrating portions of the air purifier that form no part of the claimed design.

1 Claim, 8 Drawing Sheets



(56)

References Cited

U.S. PATENT DOCUMENTS

D941,980 S * 1/2022 Zhang D23/364
D942,606 S * 2/2022 Fu D23/370
2012/0031509 A1* 2/2012 Wallace F24H 3/0411
137/338
2014/0084492 A1* 3/2014 Staniforth F04D 29/626
261/31
2022/0074610 A1* 3/2022 Morrison D02G 3/449

OTHER PUBLICATIONS

Dyson Pure Hot Cool Link HP02 Wi-Fi Enabled Air Purifier, first available Aug. 14, 2016[online], [site visited Mar. 21, 2022]. Available from internet, URL:<<https://www.amazon.ca/dp/B01IBRTN88?th=1>> (Year: 2016).*

NEXGADGET 600 Watt Ceramic Space Heater, first available Aug. 20, 2018[online], [site visited Mar. 22, 2022]. Available from internet, URL:<<https://www.amazon.co.uk/NEXGADGET-Ceramic-Portable-Desktop-Oscillation/dp/B07HKD36W7>> (Year: 2018).*

* cited by examiner

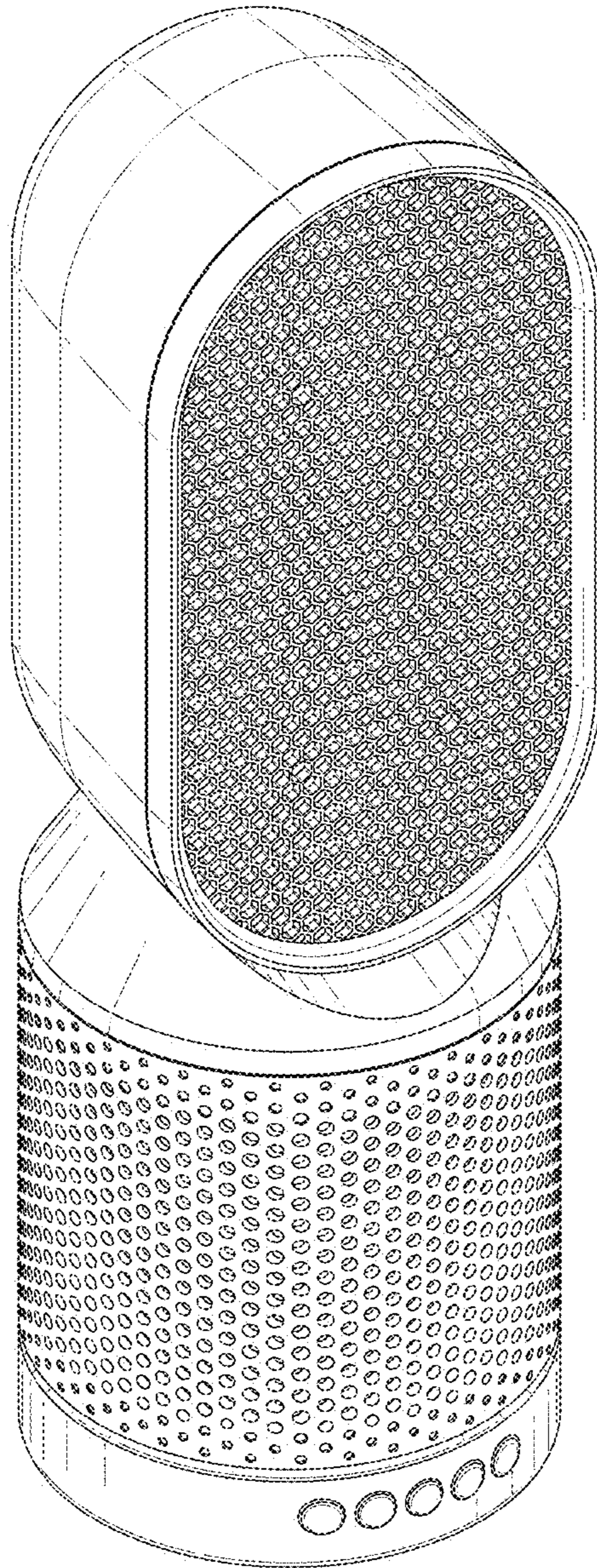


FIG.1

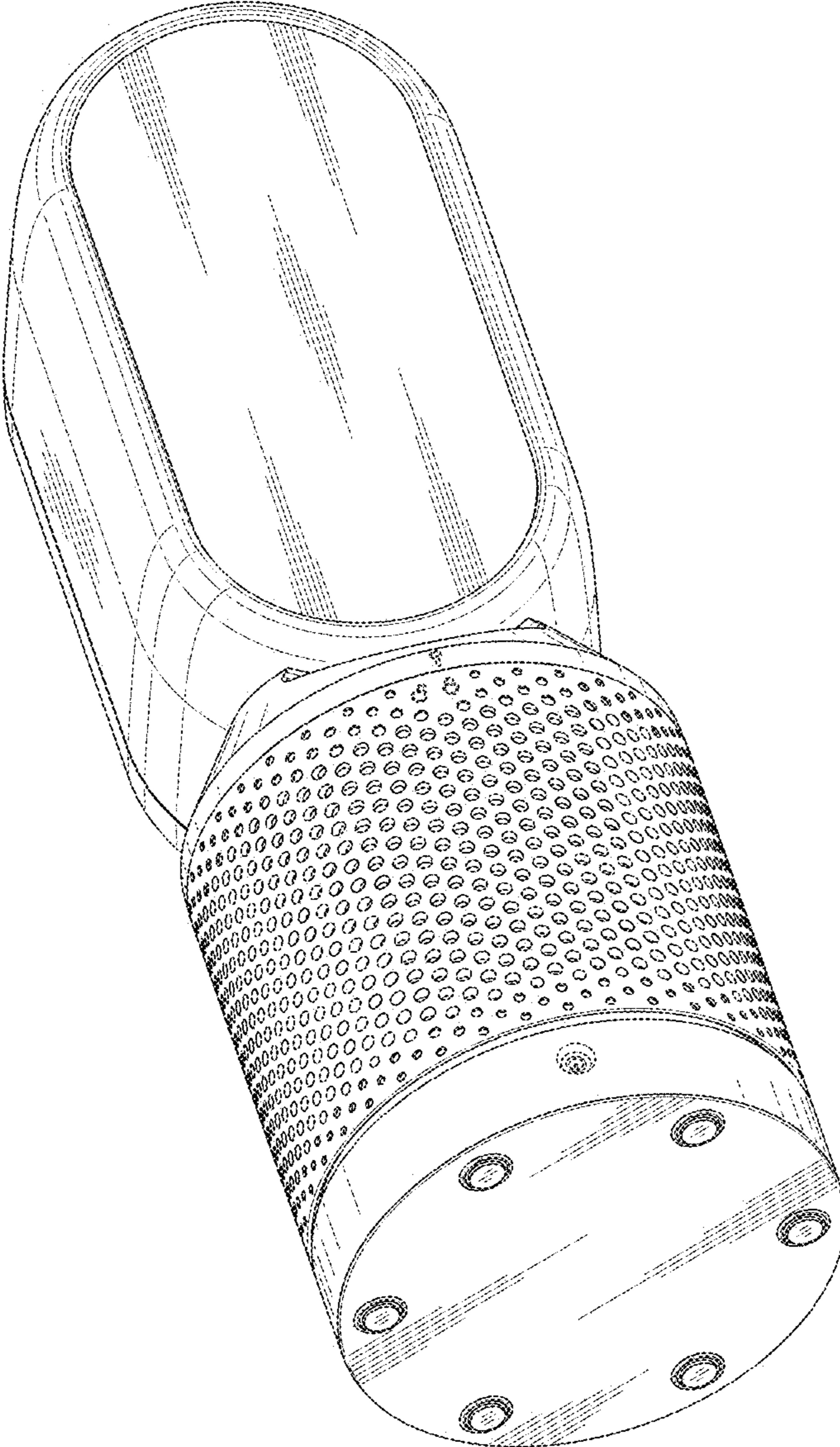


FIG.2

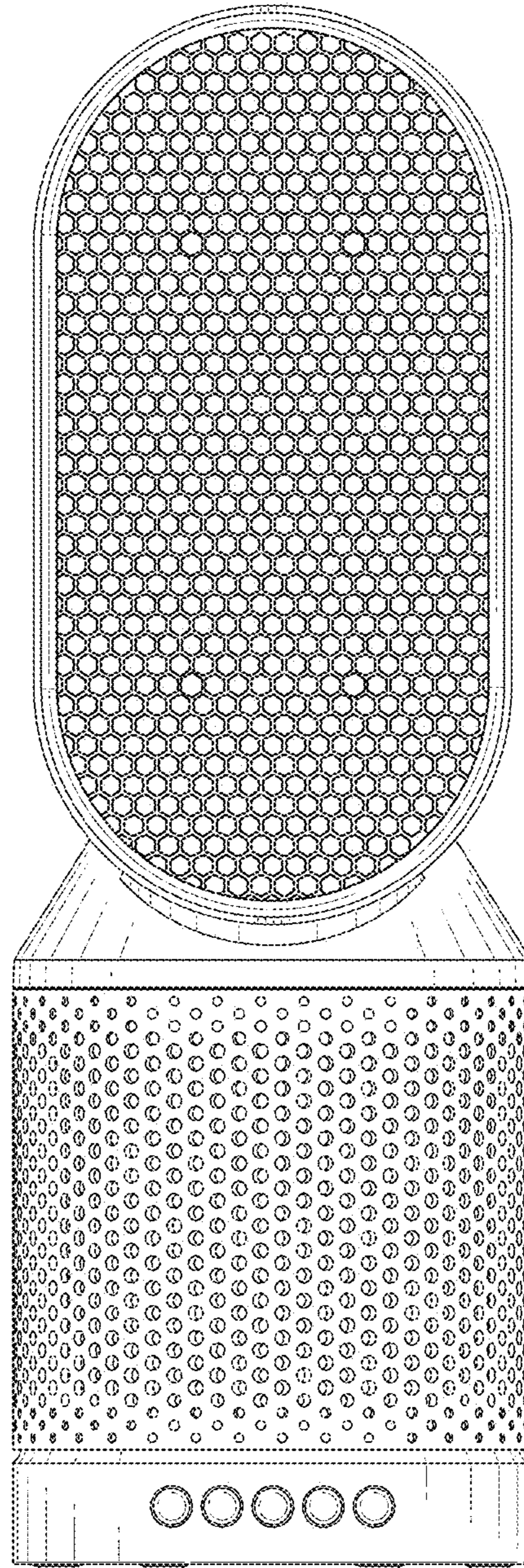


FIG. 3

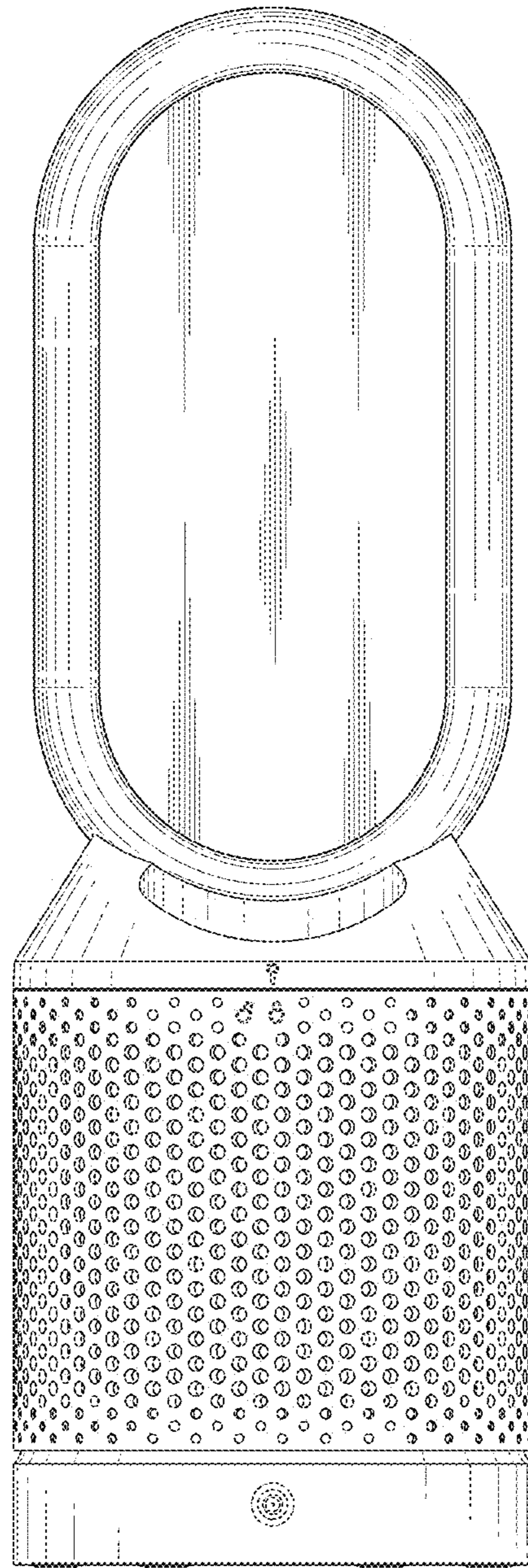


FIG. 4

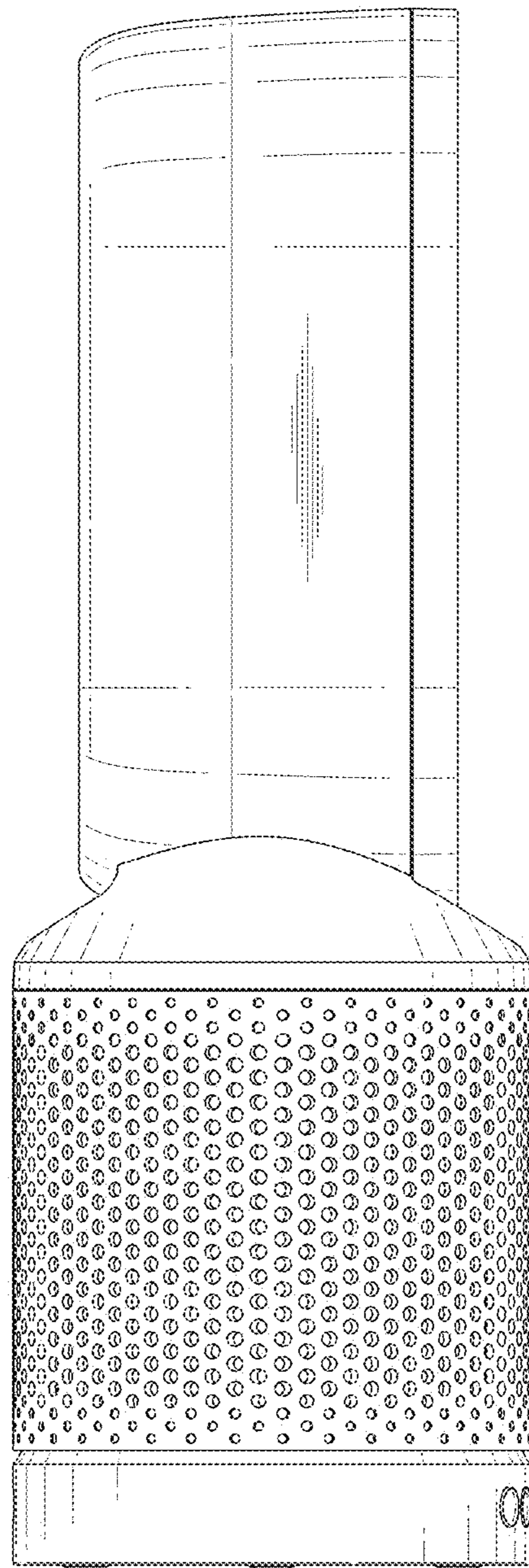


FIG.5

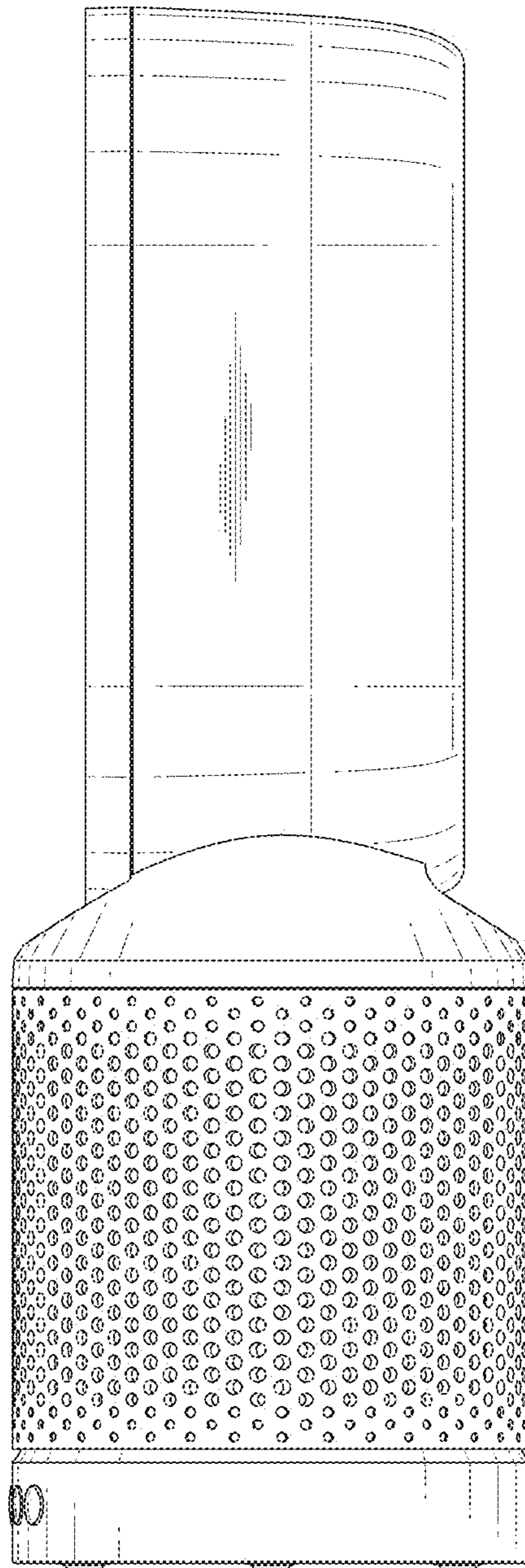


FIG.6

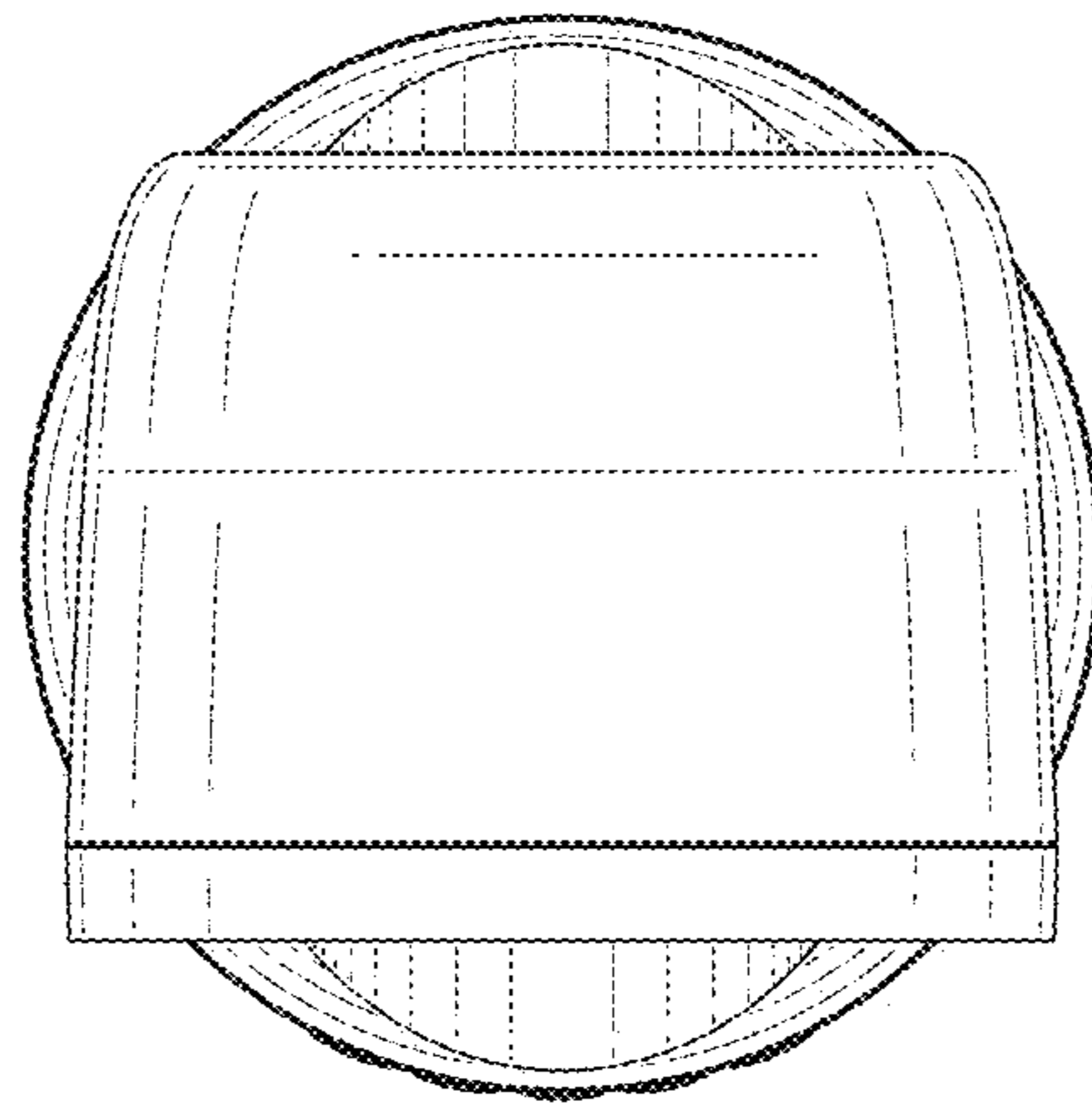


FIG.7

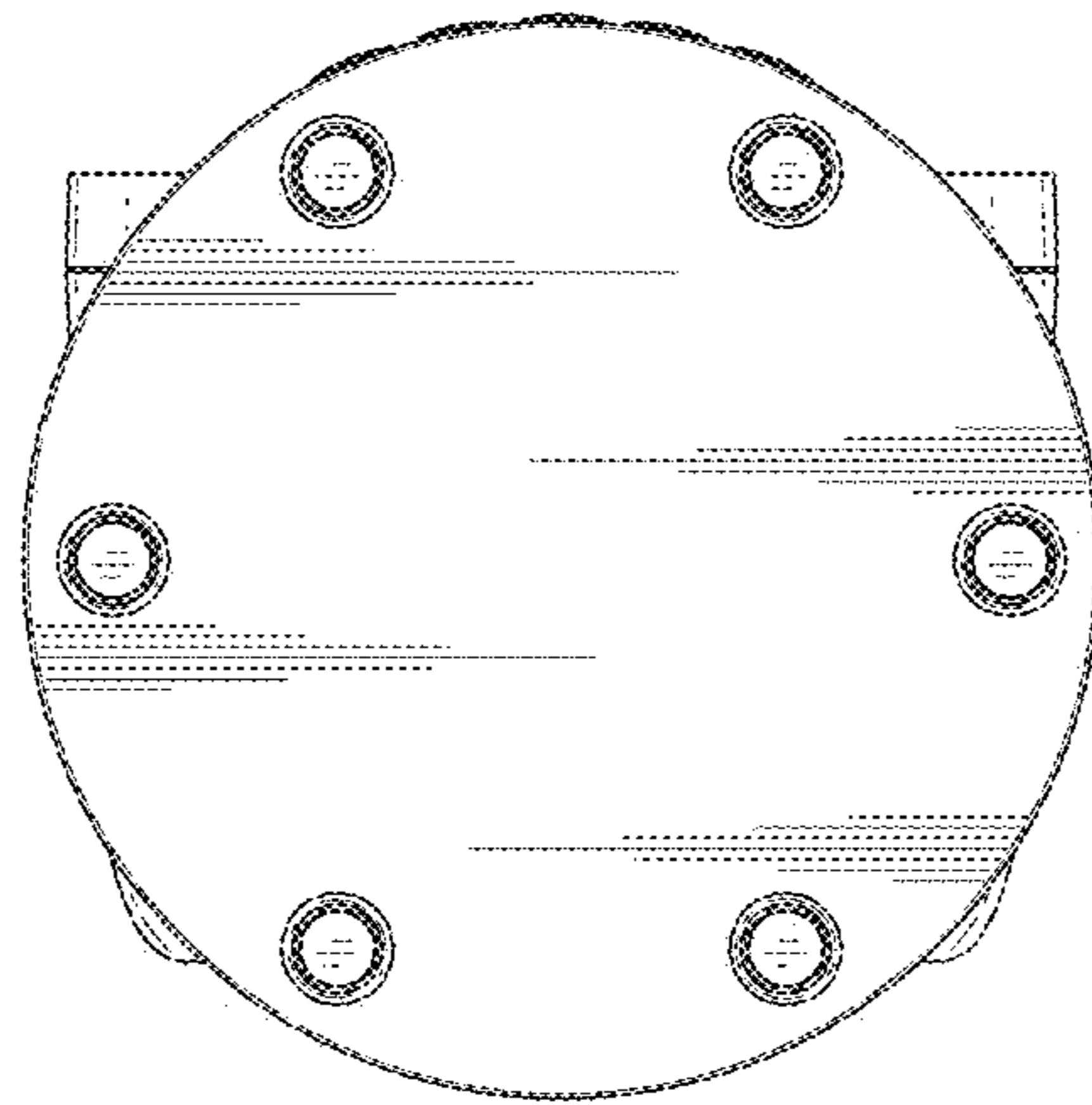


FIG. 8