



US00D952822S

(12) **United States Design Patent** (10) **Patent No.:** **US D952,822 S**
Juhlin et al. (45) **Date of Patent:** **** May 24, 2022**

(54) **AIR PURIFIER**
(71) Applicant: **Blueair AB**, Stockholm (SE)
(72) Inventors: **Erik Oskar Juhlin**, Stockholm (SE);
Jan Markus Mikael Puranen,
Stockholm (SE)

9,919,252 B2 * 3/2018 Wennerstrom F24F 8/80
D829,687 S * 10/2018 Burlingame D14/214
D835,765 S * 12/2018 Chen D23/364
D848,399 S * 5/2019 Burlingame D14/221
D852,344 S * 6/2019 Hua D23/364
(Continued)

(73) Assignee: **Blueair AB**, Stockholm (SE)
(**) Term: **15 Years**

FOREIGN PATENT DOCUMENTS
CN 108626809 10/2018
CN 304934965 * 12/2018
(Continued)

(21) Appl. No.: **29/759,548**

OTHER PUBLICATIONS

(22) Filed: **Nov. 24, 2020**

RedyPure Air Purifiers, first available Sep. 2, 2020[online], [site visited Jan. 6, 2022]. Available from internet, URL:<<https://www.amazon.com/dp/B08CKBQNB>> (Year: 2020).*
(Continued)

(30) **Foreign Application Priority Data**

May 27, 2020 (EM) 007972278-0002

(51) **LOC (13) Cl.** **23-04**

(52) **U.S. Cl.**
USPC **D23/364**

(58) **Field of Classification Search**
USPC D23/356, 359, 364-365, 378, 499
CPC F24F 1/029; F24F 1/035; F24F 1/0287;
F24F 6/06; F24F 6/14; F24F 13/06; B05B
17/06
See application file for complete search history.

Primary Examiner — Barbara Fox
Assistant Examiner — Jamaal Rasheed
(74) *Attorney, Agent, or Firm* — N.V. Nederlandsch
Octrooibureau

(57) **CLAIM**
The ornamental design for the air purifier, as shown and described.

(56) **References Cited**

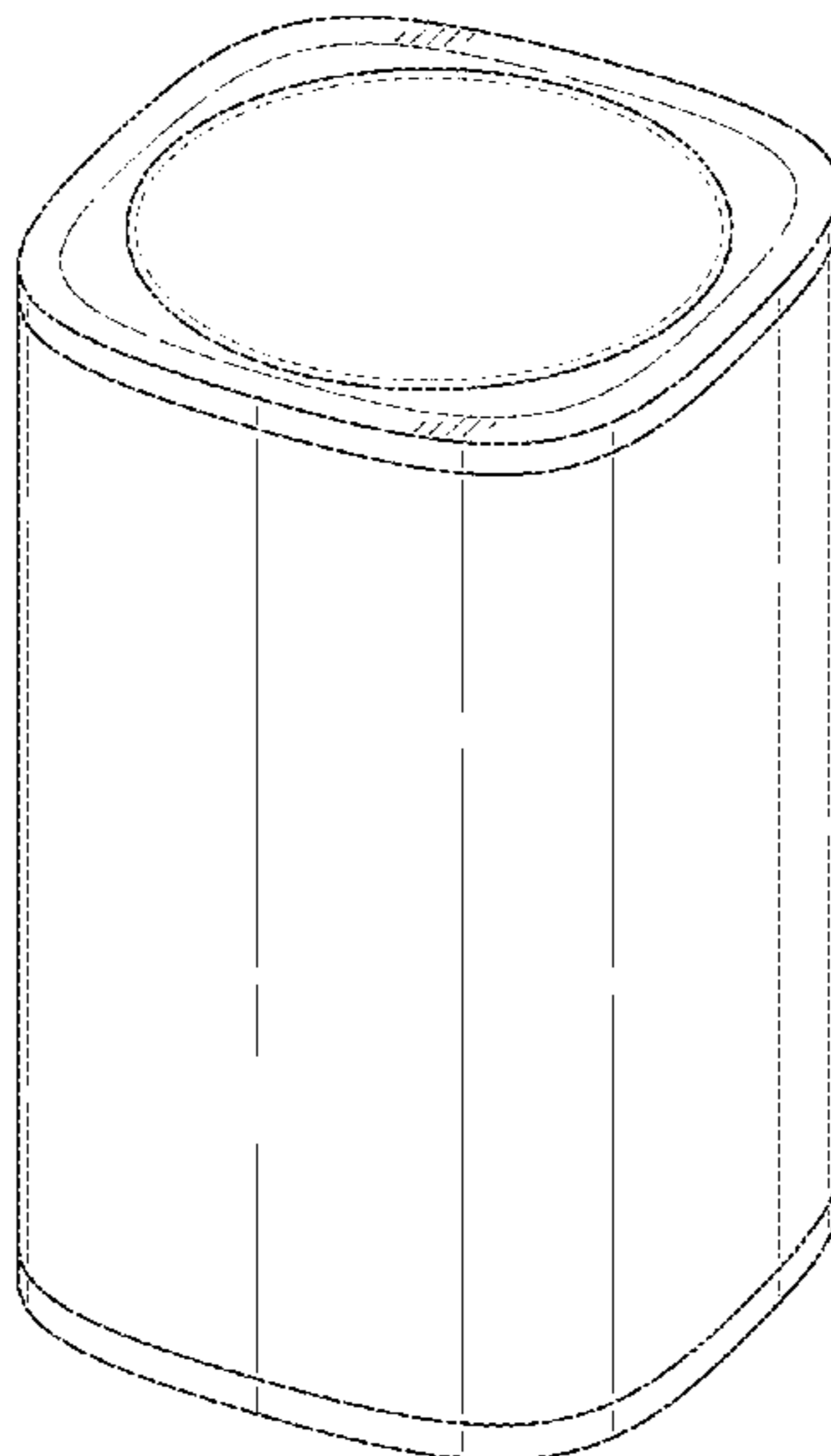
DESCRIPTION

U.S. PATENT DOCUMENTS

D615,556 S * 5/2010 Yeo D14/496
D629,827 S * 12/2010 Morenstein D16/221
D675,190 S * 1/2013 Nylén D14/215
D682,406 S * 5/2013 Yeom D23/364
D695,711 S * 12/2013 Szymanski D14/214
D713,405 S * 9/2014 Akana D14/358
D721,061 S * 1/2015 Burlingame D14/216
D723,480 S * 3/2015 Lee D14/125
D746,795 S * 1/2016 Burlingame D14/221
D753,628 S * 4/2016 McManigal D14/214
D758,345 S * 6/2016 Fujioka D14/214

FIG. 1 is a perspective view of a first embodiment of our new design for an air purifier;
FIG. 2 is a front elevation view thereof;
FIG. 3 is a rear elevation view thereof;
FIG. 4 is a left side elevation view thereof;
FIG. 5 is a right side elevation view thereof;
FIG. 6 is a top plan view thereof; and,
FIG. 7 is a bottom plan view thereof.
The broken lines shown in the figures depict portions of the air purifier that form no part of the claimed design.

1 Claim, 6 Drawing Sheets



(56)

References Cited

U.S. PATENT DOCUMENTS

D868,726 S * 12/2019 Kim D14/204
D886,765 S * 6/2020 Wilberding D14/204
D897,315 S * 9/2020 Hong D14/218
D906,279 S * 12/2020 Nam D14/204
D912,796 S * 3/2021 Huang D23/364
D915,575 S * 4/2021 Chen D23/366
D920,278 S * 5/2021 Wilberding D14/204
D921,869 S * 6/2021 Han D23/364
D931,253 S * 9/2021 Wilberding D14/204
D931,731 S * 9/2021 Mayer D9/529
D933,179 S * 10/2021 Fu D23/333
2011/0274600 A1 11/2011 Steffens
2021/0190342 A1* 6/2021 Zhan F24F 13/082

FOREIGN PATENT DOCUMENTS

EP 0646416 4/1995
EP 1433514 6/2004
JP D1690687 * 5/2020

OTHER PUBLICATIONS

ROVACS Air Purifiers, first available Oct. 22, 2020[online], [site visited Dec. 13, 2021]. Available from internet, URL:<<https://www.amazon.com/ROVACS-Purifiers-Allergies-Available-California/dp/B08LN85H7Z>> (Year: 2020).*

* cited by examiner

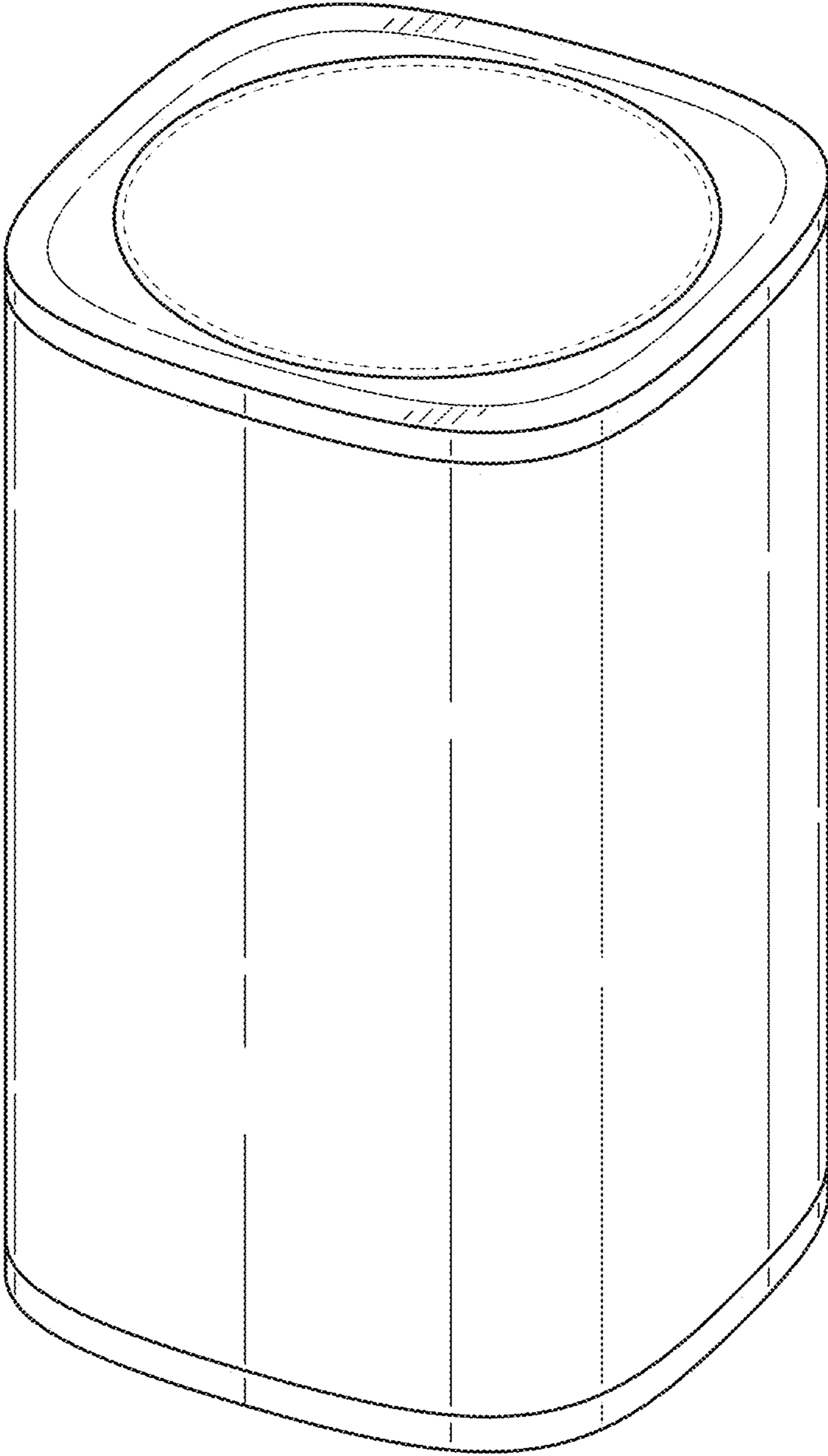


Fig. 1

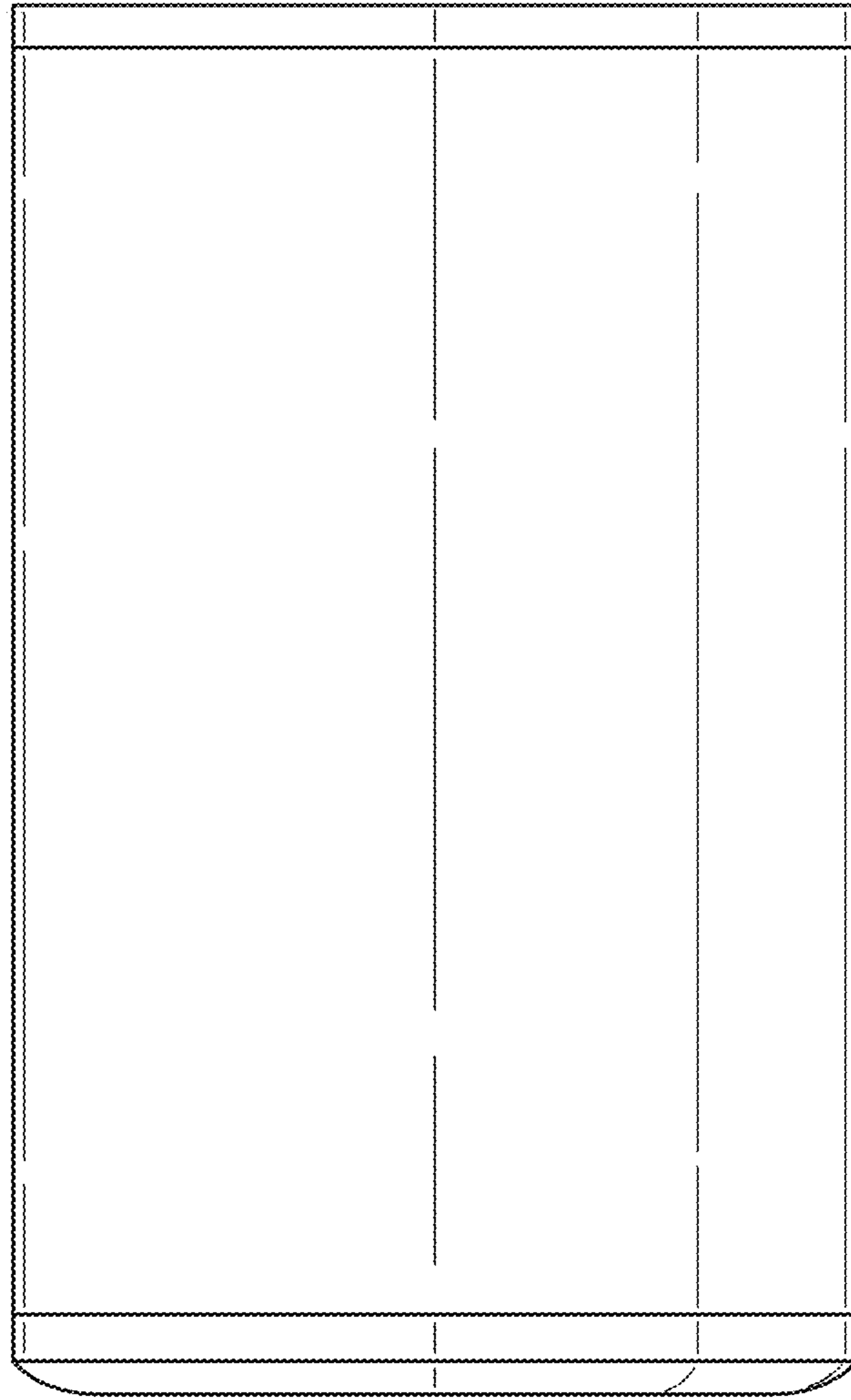


Fig. 2

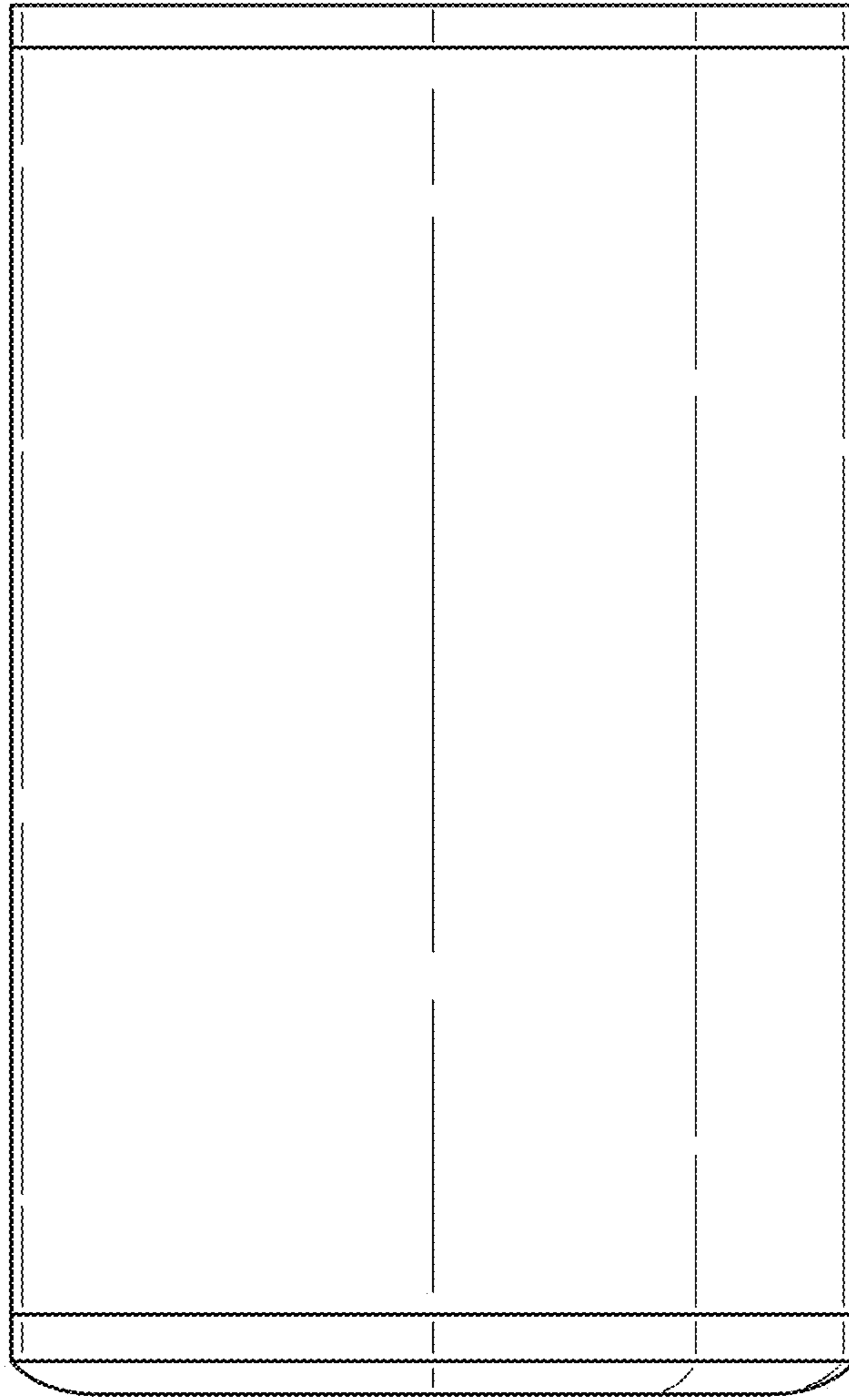


Fig. 3

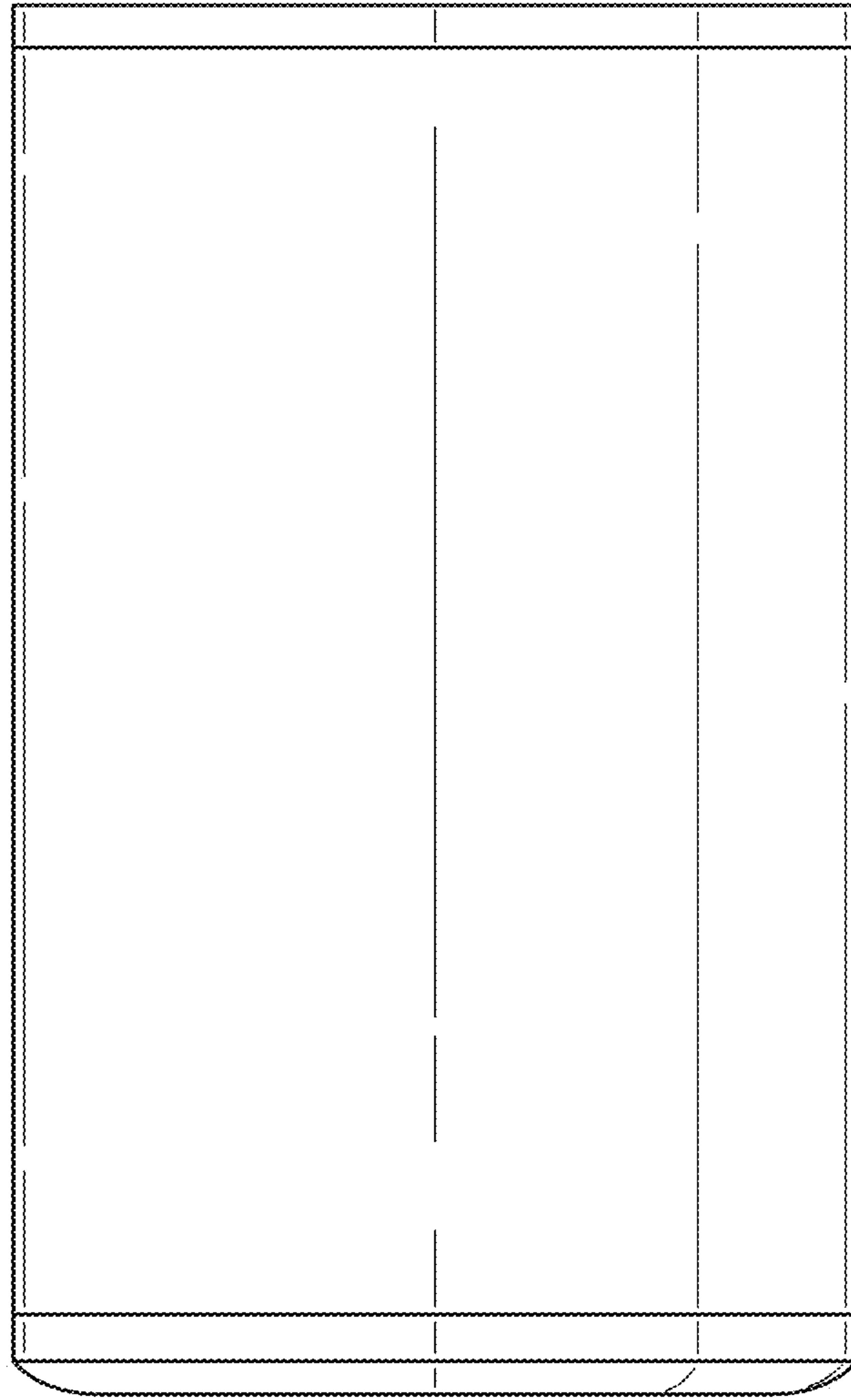


Fig. 4

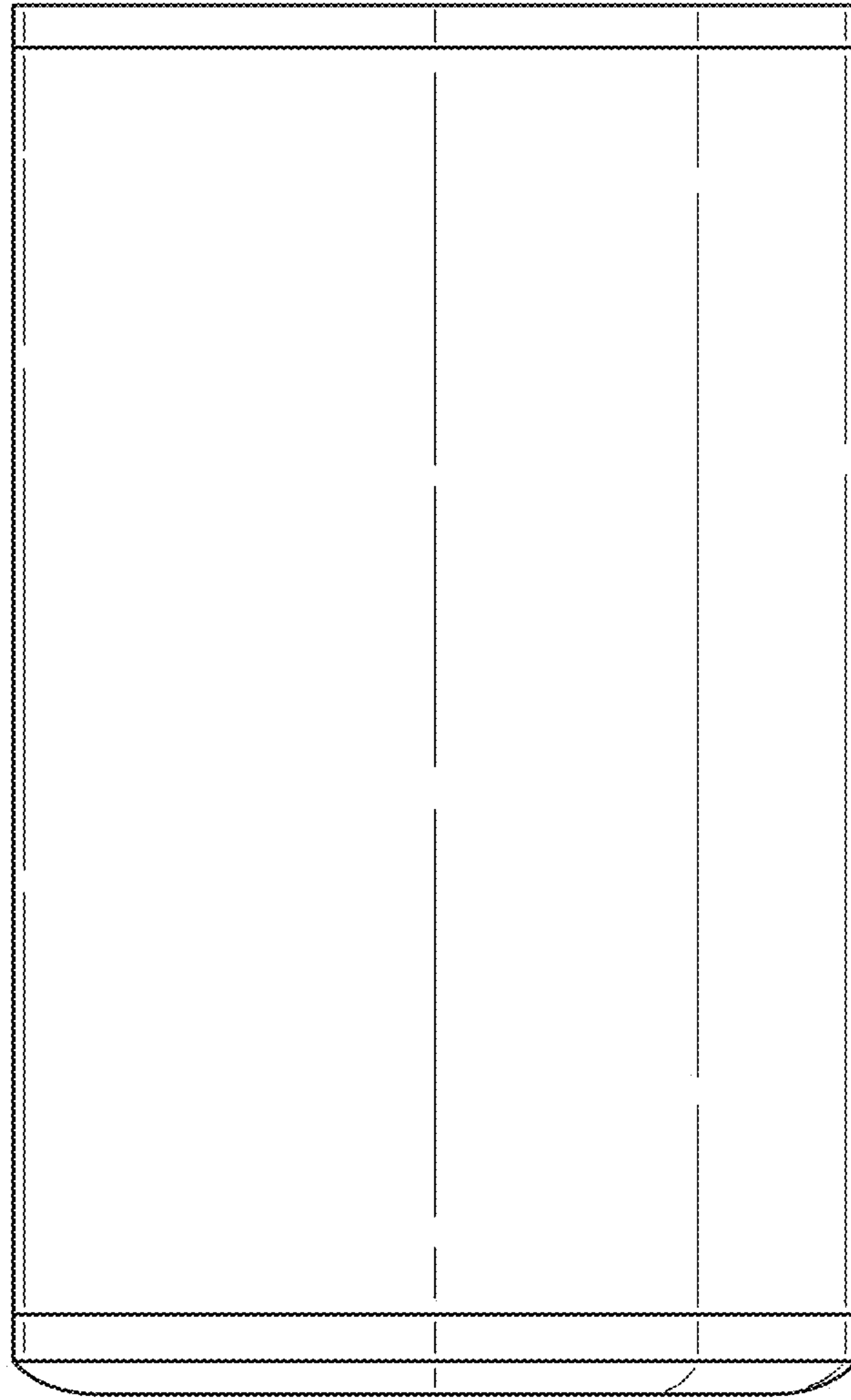


Fig. 5

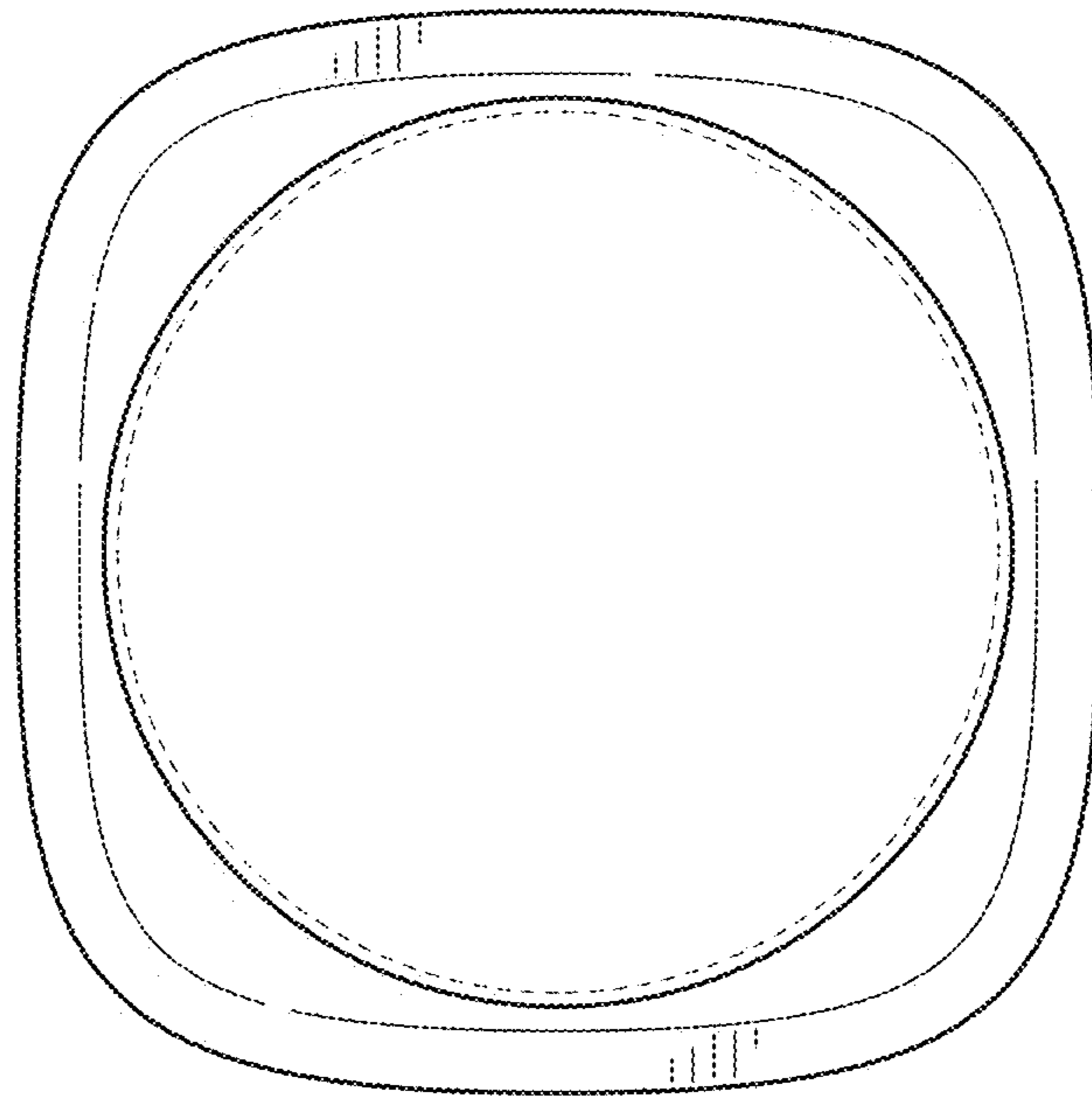


Fig. 6

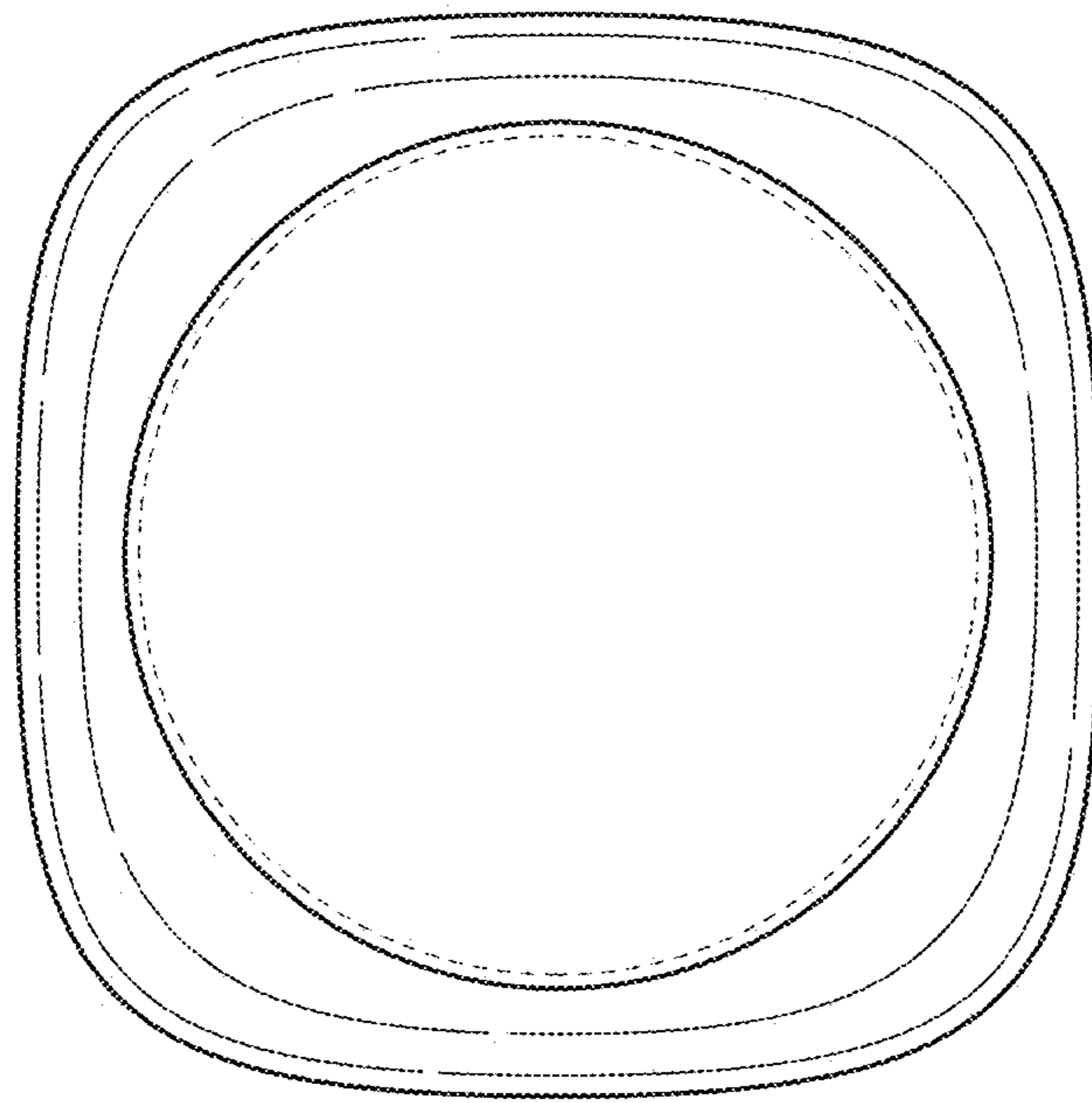


Fig. 7