



US00D952821S

(12) **United States Design Patent**
Jaanus et al.

(10) **Patent No.:** **US D952,821 S**

(45) **Date of Patent:** **** May 24, 2022**

(54) **AIR TREATMENT DEVICE**

(71) Applicant: **Reckitt & Colman (Overseas)**
Hygiene Home Limited, Slough (GB)

(72) Inventors: **Anna Jaanus, Warwick (GB); David Sanders, Warwick (GB); Christopher Witty, Hull (GB)**

(73) Assignee: **Reckitt & Colman (Overseas)**
Hygiene Home Limited, Slough (GB)

(**) Term: **15 Years**

(21) Appl. No.: **29/747,337**

(22) Filed: **Aug. 21, 2020**

(30) **Foreign Application Priority Data**

Jul. 13, 2020 (EP) 008038178-0001

(51) **LOC (13) Cl.** **23-04**

(52) **U.S. Cl.**
USPC **D23/364**

(58) **Field of Classification Search**
USPC D23/332, 336, 356, 359, 364–365, 378,
D23/499; D14/216, 221
CPC F24F 1/029; F24F 1/035; F24F 1/0287;
F24F 6/06; F24F 6/14; F24F 13/06; F24F
13/20; F24F 13/222; F24F 3/16; F24F
3/1405; A61L 9/03

See application file for complete search history.

(56) **References Cited**

U.S. PATENT DOCUMENTS

D547,430 S * 7/2007 Low D21/713
D599,897 S * 9/2009 Low D23/364
D656,595 S * 3/2012 Yen D23/332
D719,248 S * 12/2014 Smith, Jr. D23/356
D758,557 S * 6/2016 Jih D23/355
D800,285 S * 10/2017 Seo D23/358

D854,135 S * 7/2019 Partrat D23/364
D855,784 S * 8/2019 Seo D23/358
D873,397 S * 1/2020 Johnston D23/341
D884,862 S * 5/2020 Brooks D23/364
D888,913 S * 6/2020 Ling D23/333
D890,902 S * 7/2020 Carling D23/364
D890,903 S * 7/2020 Carling D23/364
D891,597 S * 7/2020 Carling D23/364

(Continued)

FOREIGN PATENT DOCUMENTS

CA 186089 * 2/2020
CN 303533900 * 12/2015

OTHER PUBLICATIONS

Greenair Aromasphere Waterless Portable Fragrance Essential Oil Diffuser, first available Jun. 21, 2016[online], [site visited Mar. 21, 2022]. Available from internet, URL:<<https://www.amazon.com/Greenair-Aromasphere-Essential-Diffuser-Aromatherapy/dp/B0732RBRNX?th=1>> (Year: 2016).*

(Continued)

Primary Examiner — Barbara Fox

Assistant Examiner — Jamaal Rasheed

(74) *Attorney, Agent, or Firm* — Norris McLaughlin PA

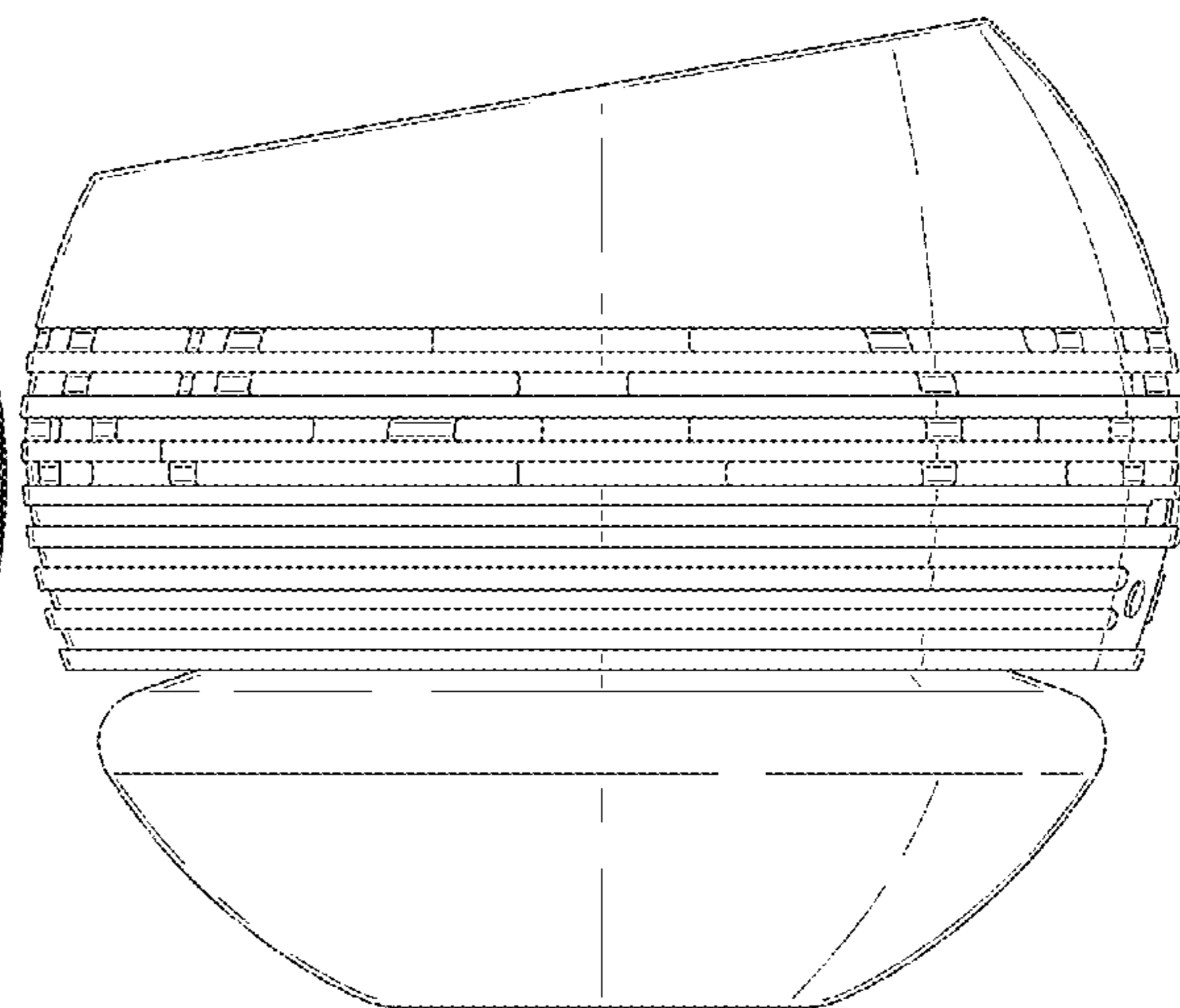
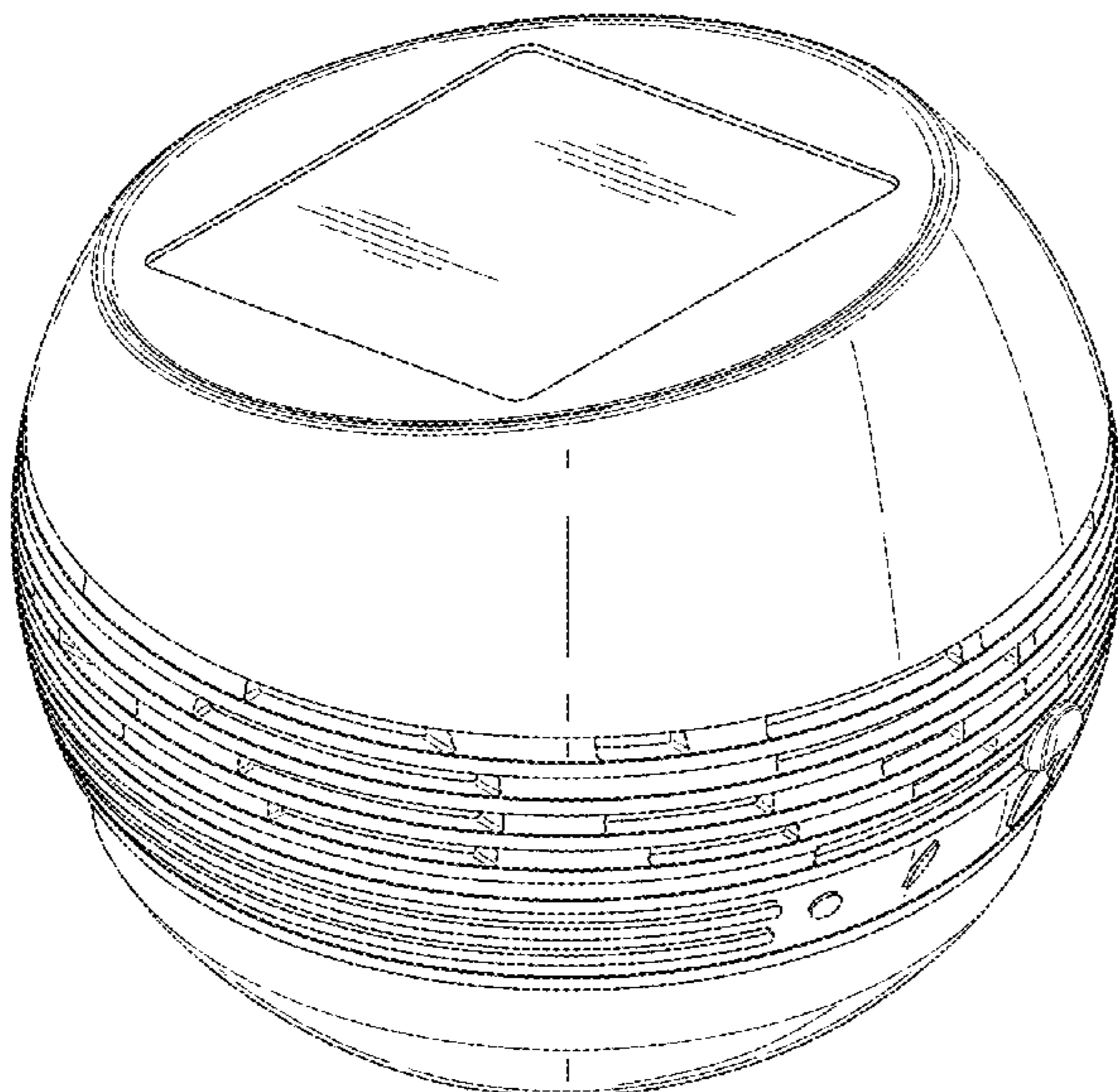
(57) **CLAIM**

The ornamental design for an air treatment device, as shown and described.

DESCRIPTION

FIG. 1 is a perspective, top view of the air treatment device; FIG. 2 is a first elevational view thereof; FIG. 3 is a second elevational view thereof; FIG. 4 is a side elevational view thereof; FIG. 5 is a further side elevational view thereof; FIG. 6 is a top plan view thereof; and, FIG. 7 is a bottom plan view thereof.

1 Claim, 7 Drawing Sheets



(56)

References Cited

U.S. PATENT DOCUMENTS

2016/0106876 A1* 4/2016 Jih A61L 9/122
261/32
2019/0060817 A1* 2/2019 Park B01D 46/681

OTHER PUBLICATIONS

Essential Oil Diffuser, first available Dec. 10, 2019[online], [site visited Mar. 21, 2022]. Available from internet, URL:<<https://www.amazon.com/Essential-Waterless-Fragrance-Aromatherapy-Molecular/dp/B082KK73NW>> (Year: 2019).*

* cited by examiner

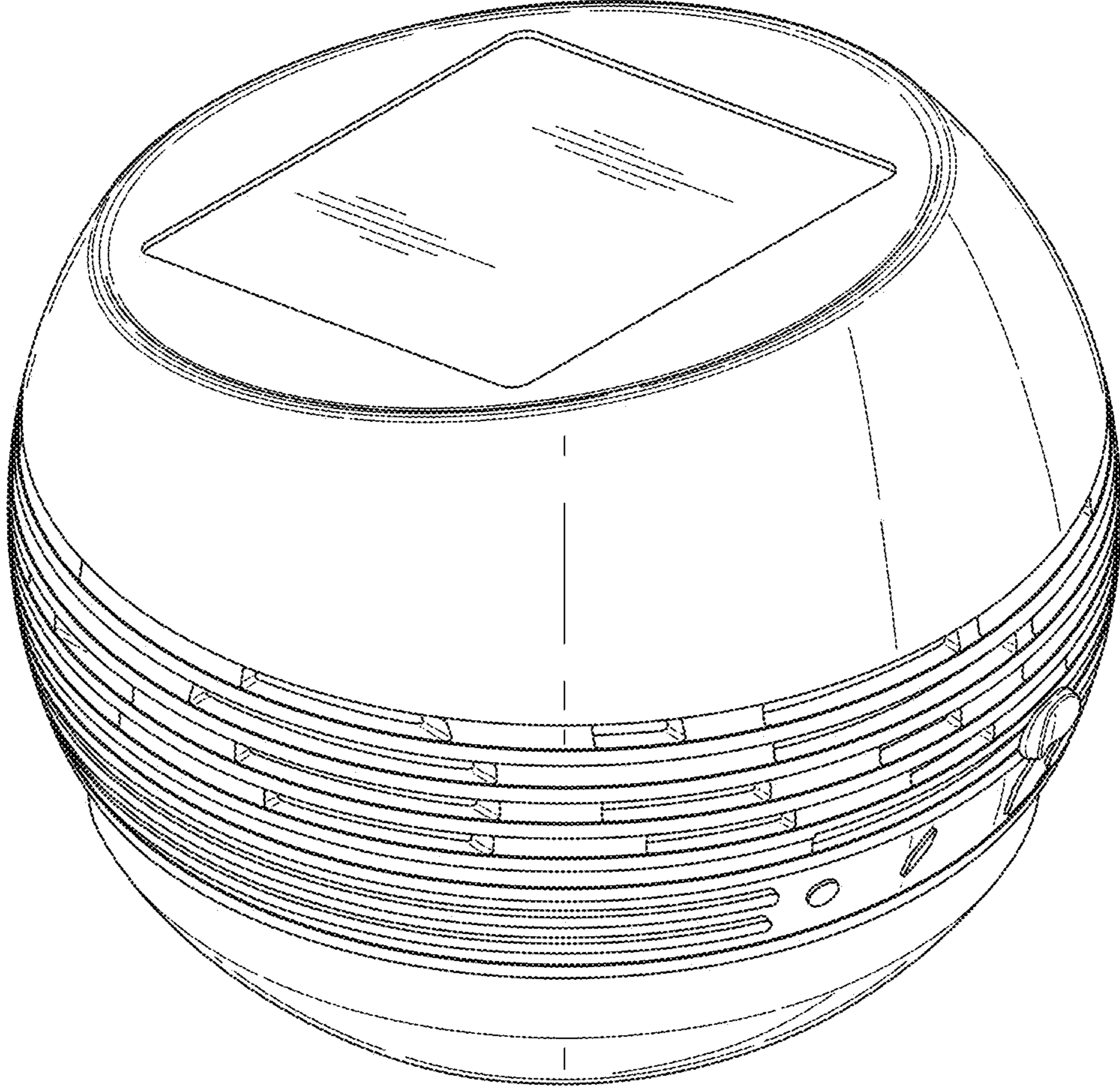


Fig. 1

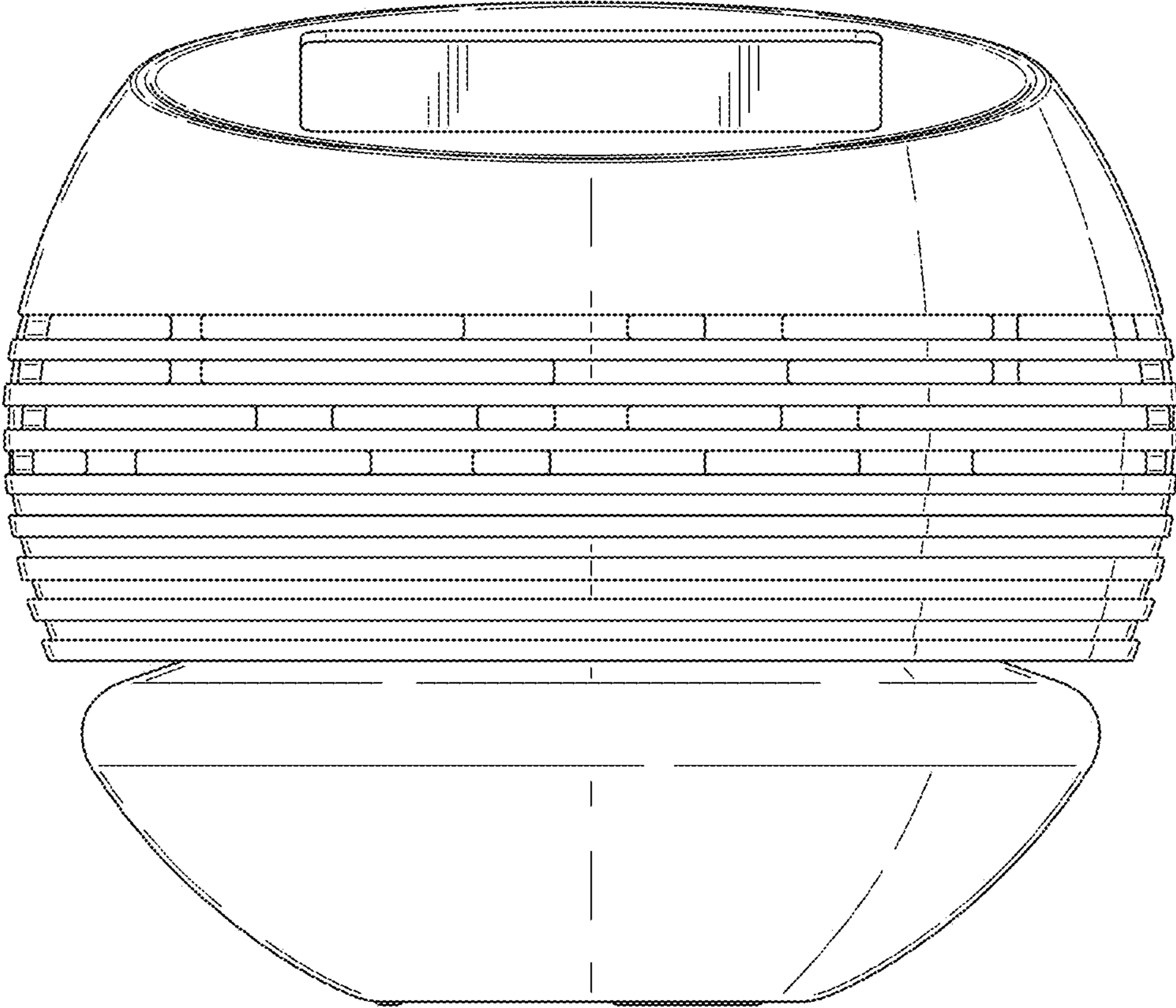


Fig. 2

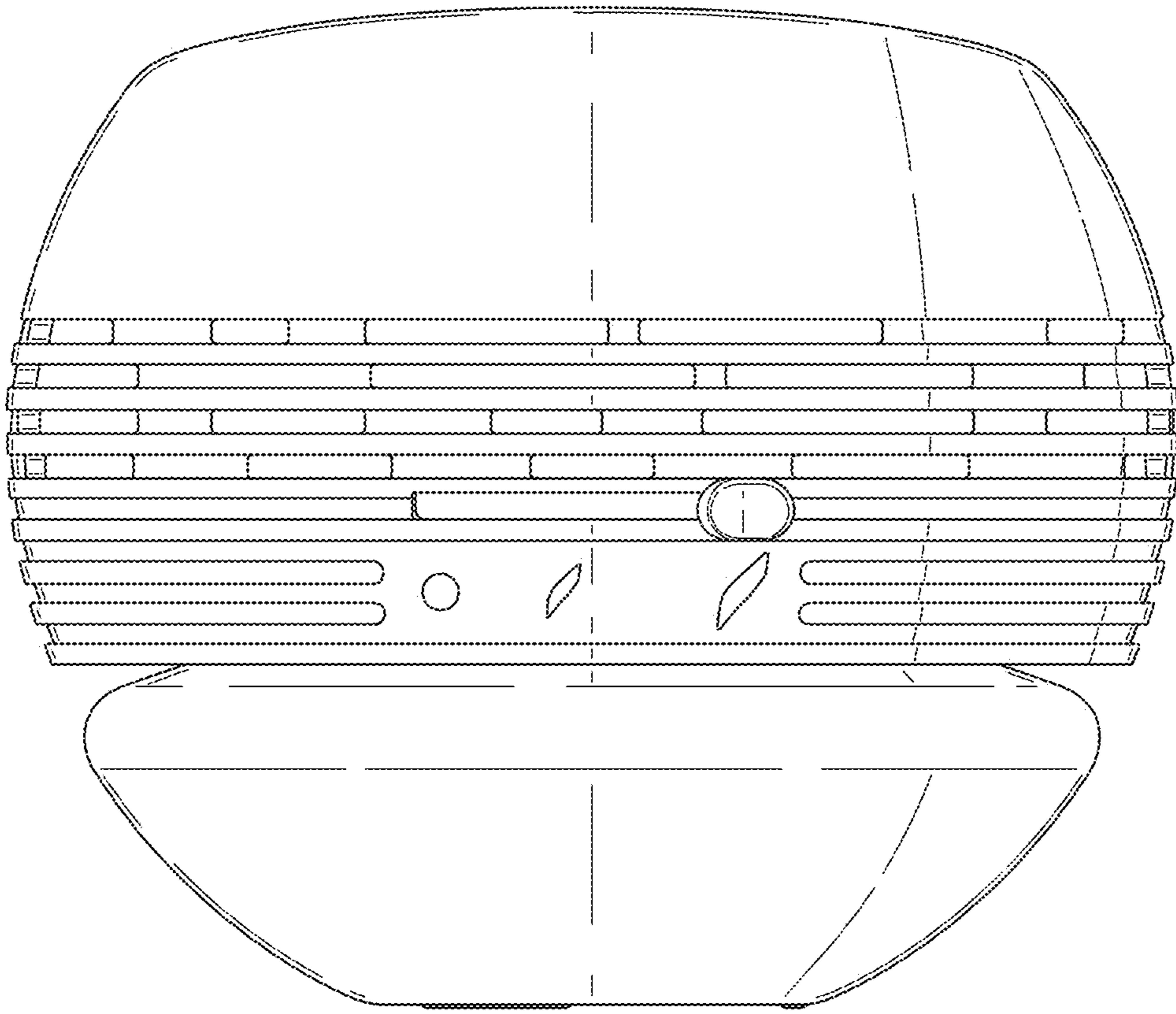


Fig. 3

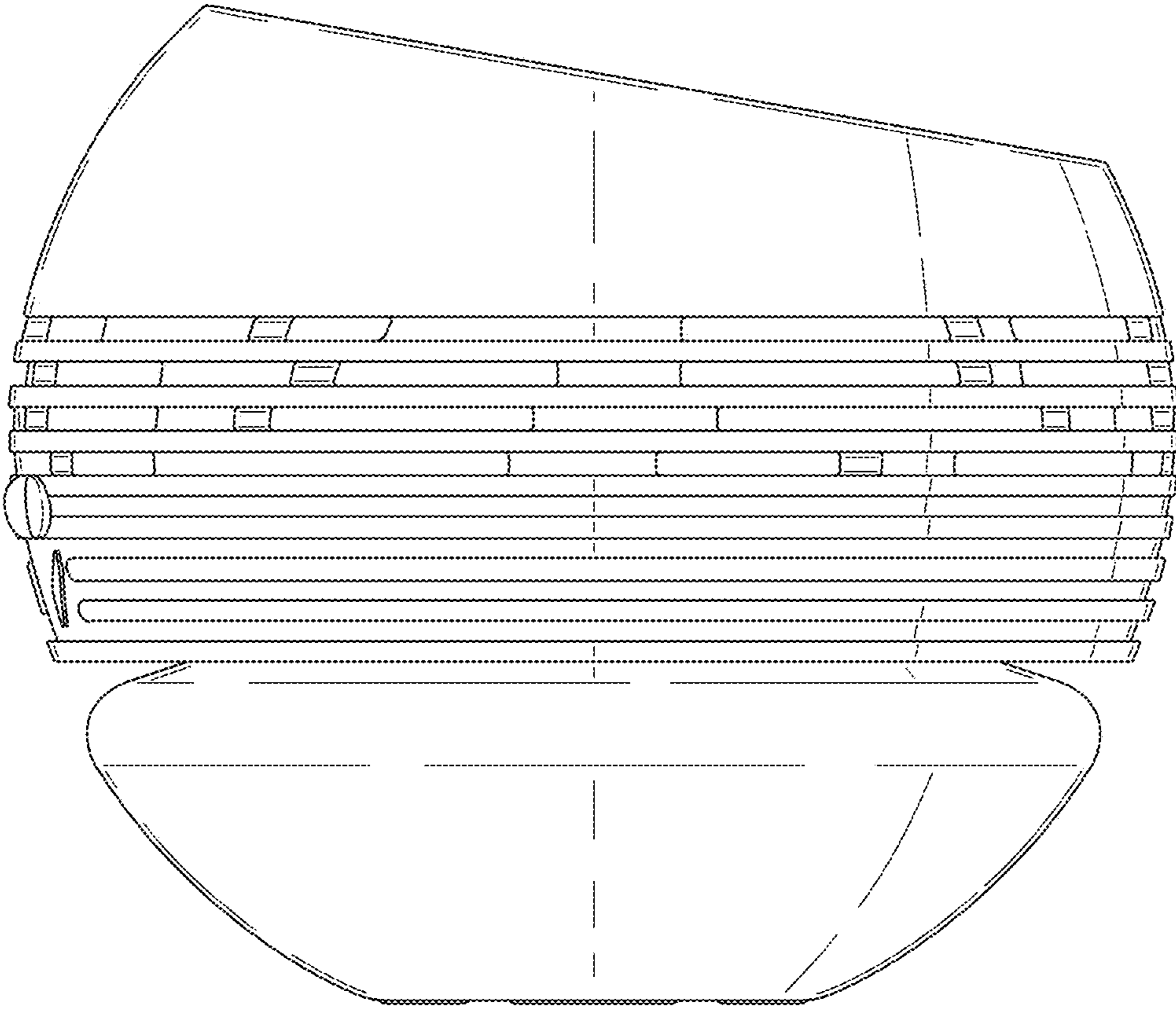


Fig. 4

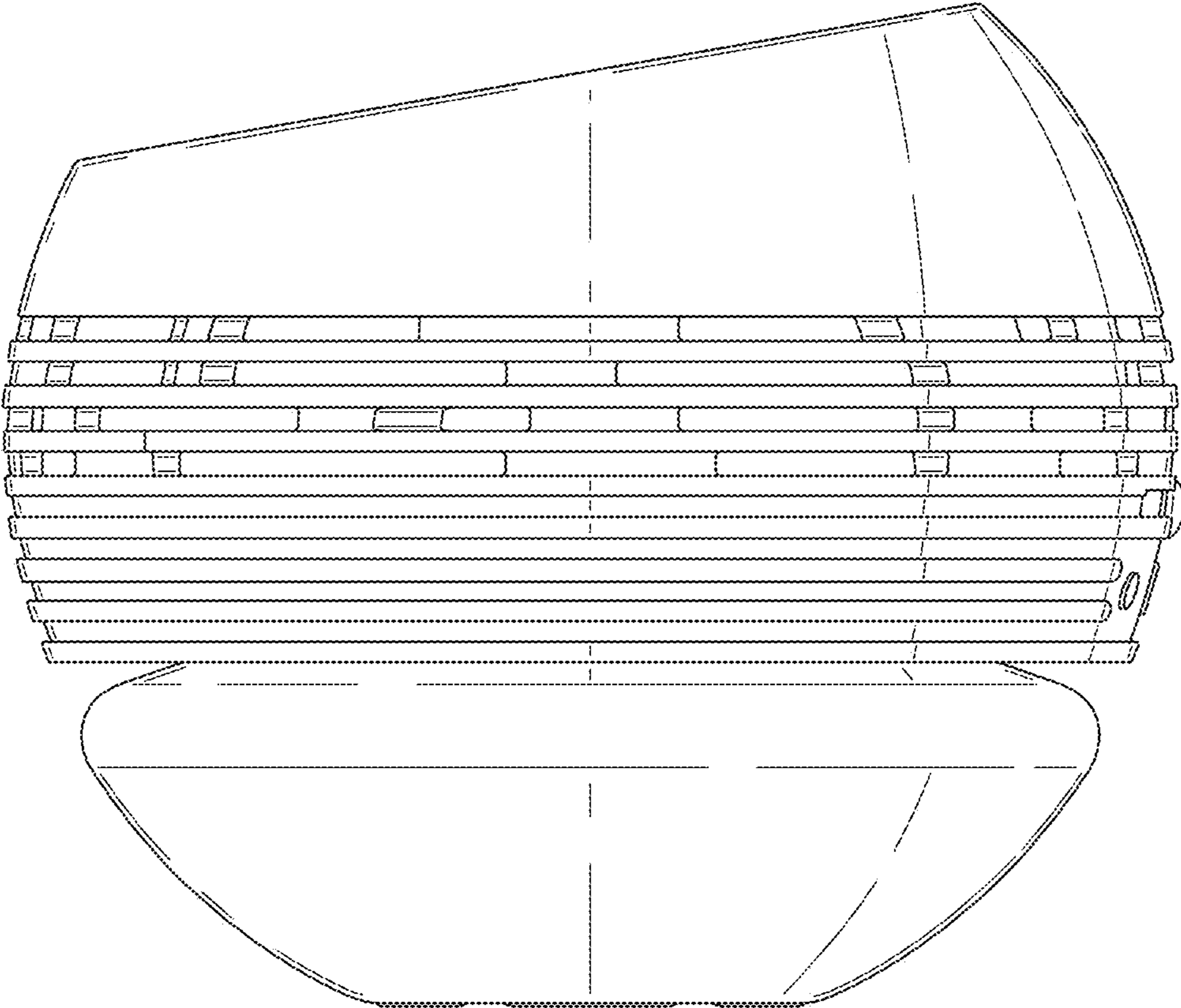


Fig. 5

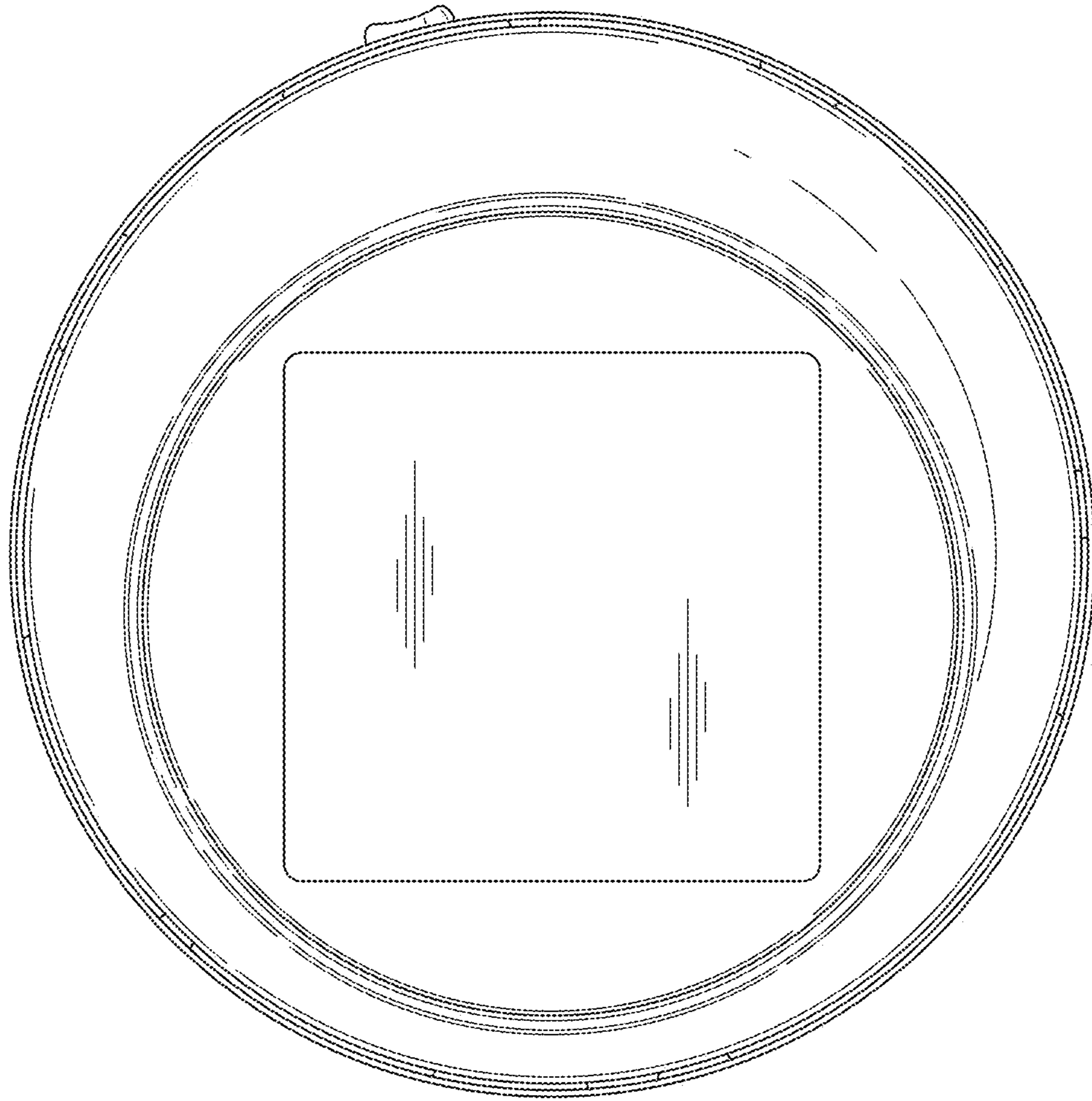


Fig. 6

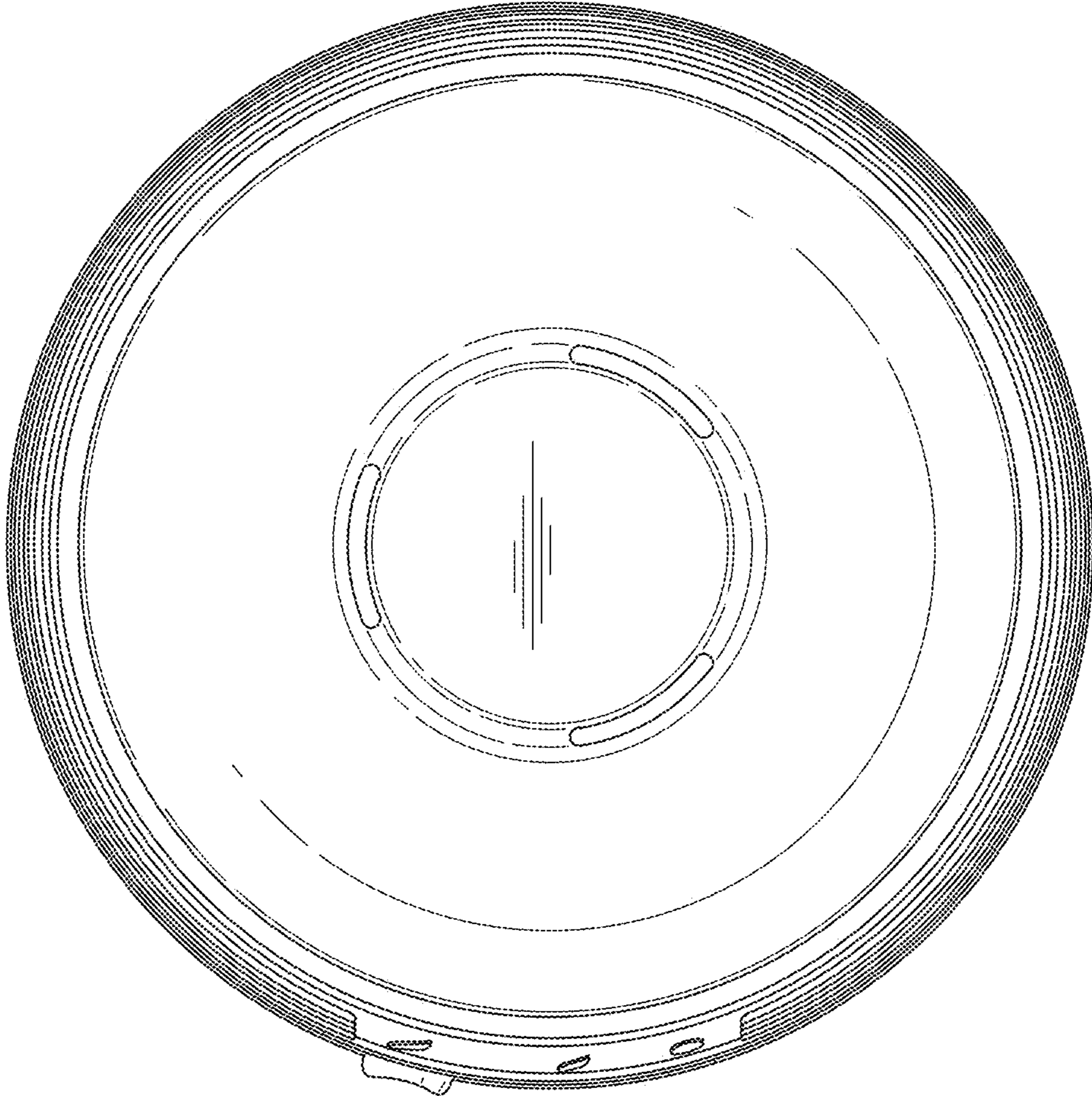


Fig. 7