



US00D952820S

(12) **United States Design Patent**  
**Yang**

(10) **Patent No.:** **US D952,820 S**

(45) **Date of Patent:** **\*\* May 24, 2022**

(54) **AIR CLEANER**

(71) Applicant: **SHENZHEN ANTOP TECHNOLOGY CO., LTD**, Shenzhen (CN)

(72) Inventor: **Ruidian Yang**, Shenzhen (CN)

(73) Assignee: **SHENZHEN ANTOP TECHNOLOGY CO., LTD**, Shenzhen (CN)

(\*\*) Term: **15 Years**

(21) Appl. No.: **29/745,132**

(22) Filed: **Aug. 4, 2020**

(30) **Foreign Application Priority Data**

Jul. 16, 2020 (CN) ..... 202030385914.0

(51) **LOC (13) Cl.** ..... **23-04**

(52) **U.S. Cl.**  
USPC ..... **D23/364**

(58) **Field of Classification Search**  
USPC ..... D23/356, 359, 364–365, 378, 499;  
D14/204, 214  
CPC ..... F24F 1/029; F24F 1/035; F24F 1/0287;  
F24F 6/06; F24F 6/14; F24F 13/06; F24F  
13/20; F24F 13/222; F24F 3/16; F24F  
3/1405; F24F 3/1603; B05B 17/06  
See application file for complete search history.

(56) **References Cited**

**U.S. PATENT DOCUMENTS**

- 4,473,382 A \* 9/1984 Cheslock ..... B03C 3/28  
96/58
- D365,388 S \* 12/1995 Williams ..... D23/332
- D423,659 S \* 4/2000 Schippanoski ..... D23/355
- D434,841 S \* 12/2000 Lozzio ..... D23/364
- D517,183 S \* 3/2006 Huang ..... D23/365
- D795,947 S \* 8/2017 Chong ..... D16/218

- D806,843 S \* 1/2018 McDonnell ..... D23/355
- D863,525 S \* 10/2019 Lee ..... D23/366
- D864,374 S \* 10/2019 Lee ..... D23/366
- D881,161 S \* 4/2020 Chen ..... D14/216

(Continued)

**FOREIGN PATENT DOCUMENTS**

CN 305517195 \* 12/2019

**OTHER PUBLICATIONS**

WeGuard HEPA Air Purifiers, first available Mar. 31, 2021[online], [site visited Jan. 21, 2022]. Available from internet, URL:<<https://www.amazon.com/WeGuard-Purifiers-Bedroom-Bacteria-Allergens/dp/B091F4K3VX>> (Year: 2021).\*

(Continued)

*Primary Examiner* — Barbara Fox

*Assistant Examiner* — Jamaal Rasheed

(74) *Attorney, Agent, or Firm* — Avek IP, LLC; Kent R. Erickson

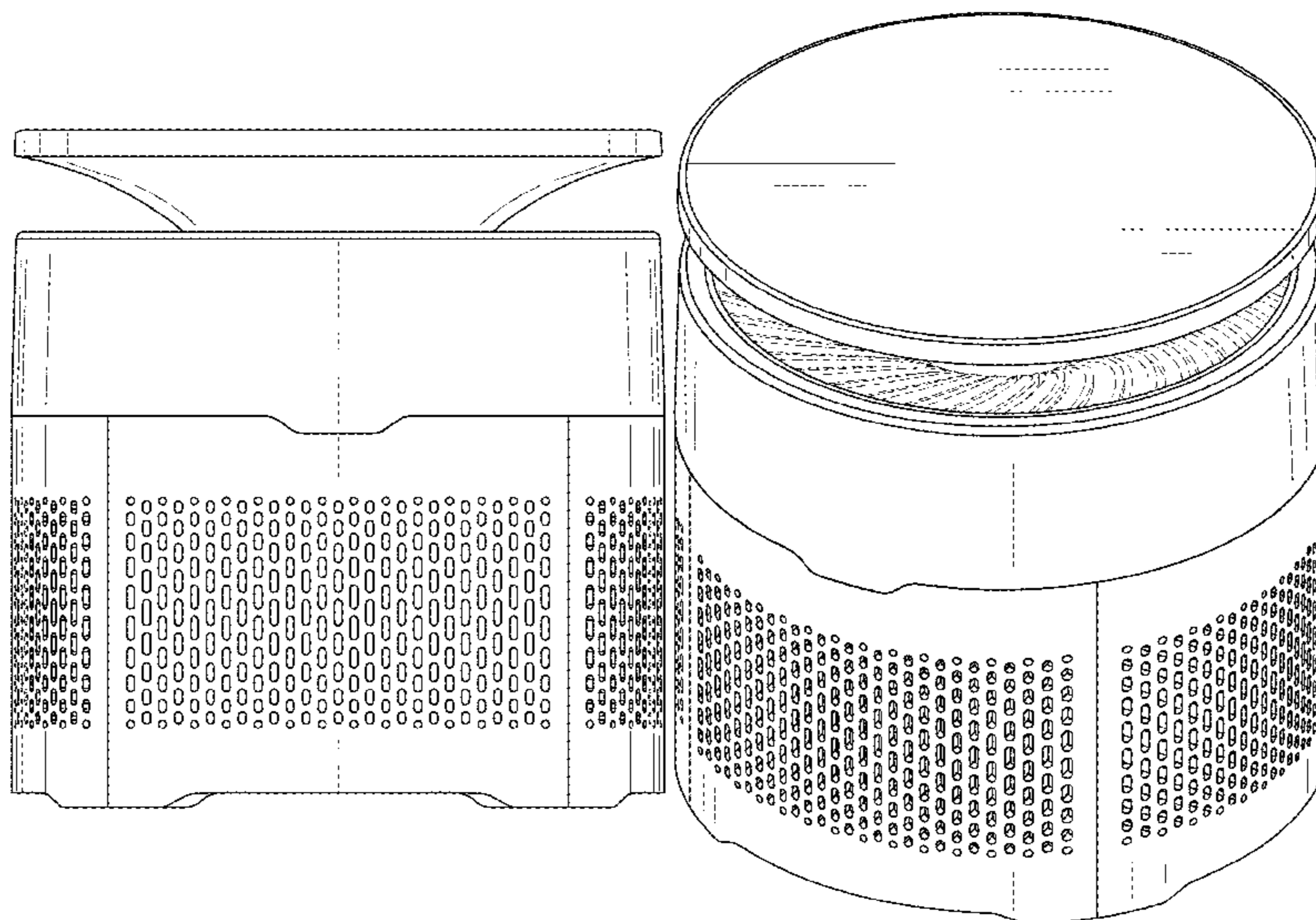
(57) **CLAIM**

The ornamental design for an air cleaner, as shown and described.

**DESCRIPTION**

FIG. 1 is a front elevation view of an air cleaner of the present invention;  
FIG. 2 is a rear elevation view thereof;  
FIG. 3 is a left-side elevation view thereof;  
FIG. 4 is a right-side elevation view thereof;  
FIG. 5 is a top plan view thereof;  
FIG. 6 is a bottom plan view thereof;  
FIG. 7 is a top perspective view thereof; and,  
FIG. 8 is a bottom perspective view thereof.  
The broken lines shown in the drawings are for the purpose of illustrating portions of the air cleaner that form no part of the claimed design.

**1 Claim, 8 Drawing Sheets**



(56)

**References Cited**

U.S. PATENT DOCUMENTS

D892,289 S \* 8/2020 Baillie ..... D23/356  
D914,189 S \* 3/2021 Ye ..... D23/366  
D929,555 S \* 8/2021 Lee ..... D23/364  
D934,403 S \* 10/2021 Lei ..... D23/356  
2017/0167748 A1\* 6/2017 Wang ..... F24F 13/062  
2018/0126022 A1\* 5/2018 Hsiao ..... A61L 9/013

OTHER PUBLICATIONS

Honeywell Permanent True Hepa Round Air Purifier, first available Jun. 1, 2010[online], [site visited Jan. 26, 2022]. Available from internet, URL:<<https://www.amazon.ca/dp/B00007E7RY?th=1>> (Year: 2010).\*

\* cited by examiner

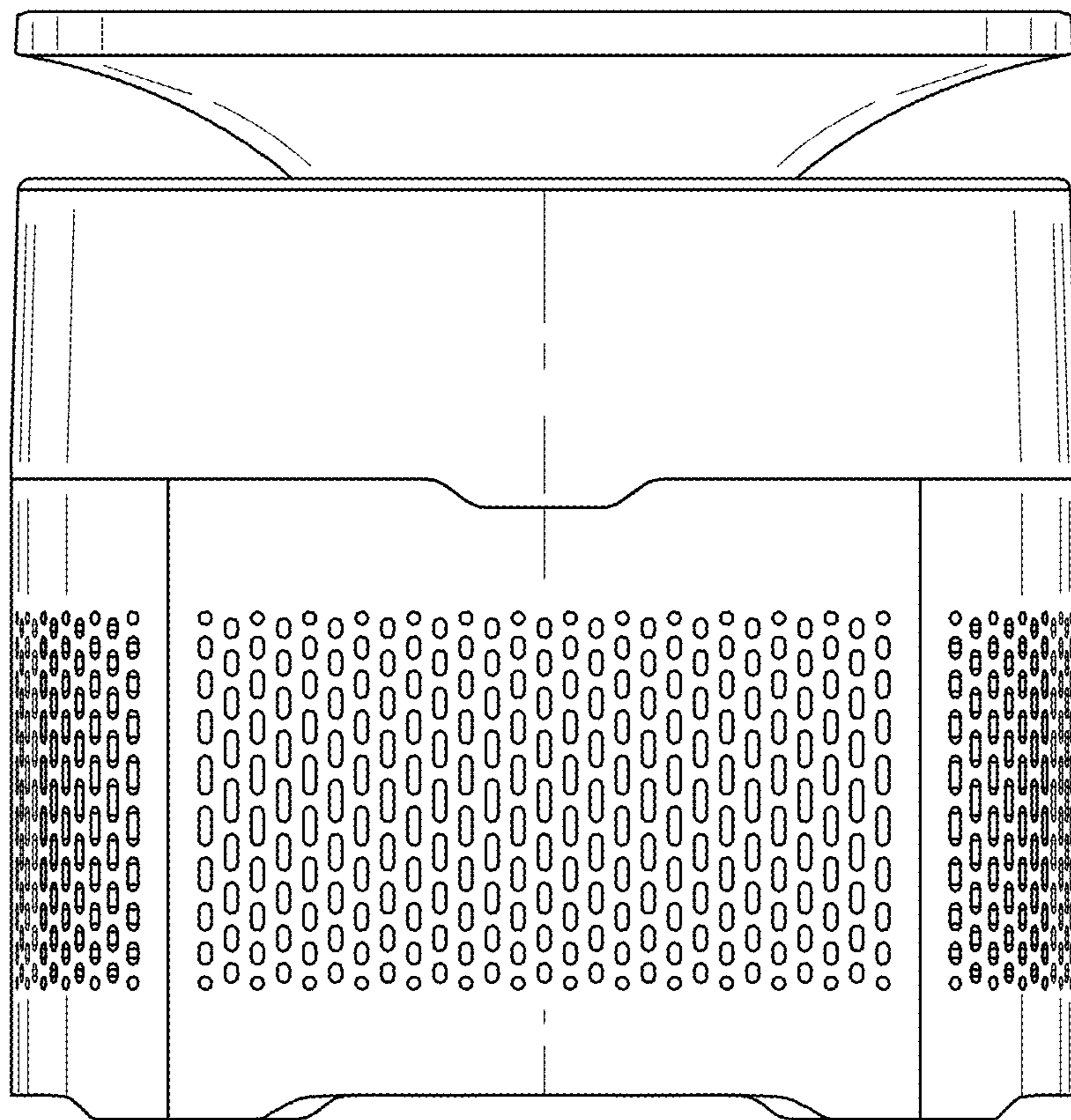


FIG. 1

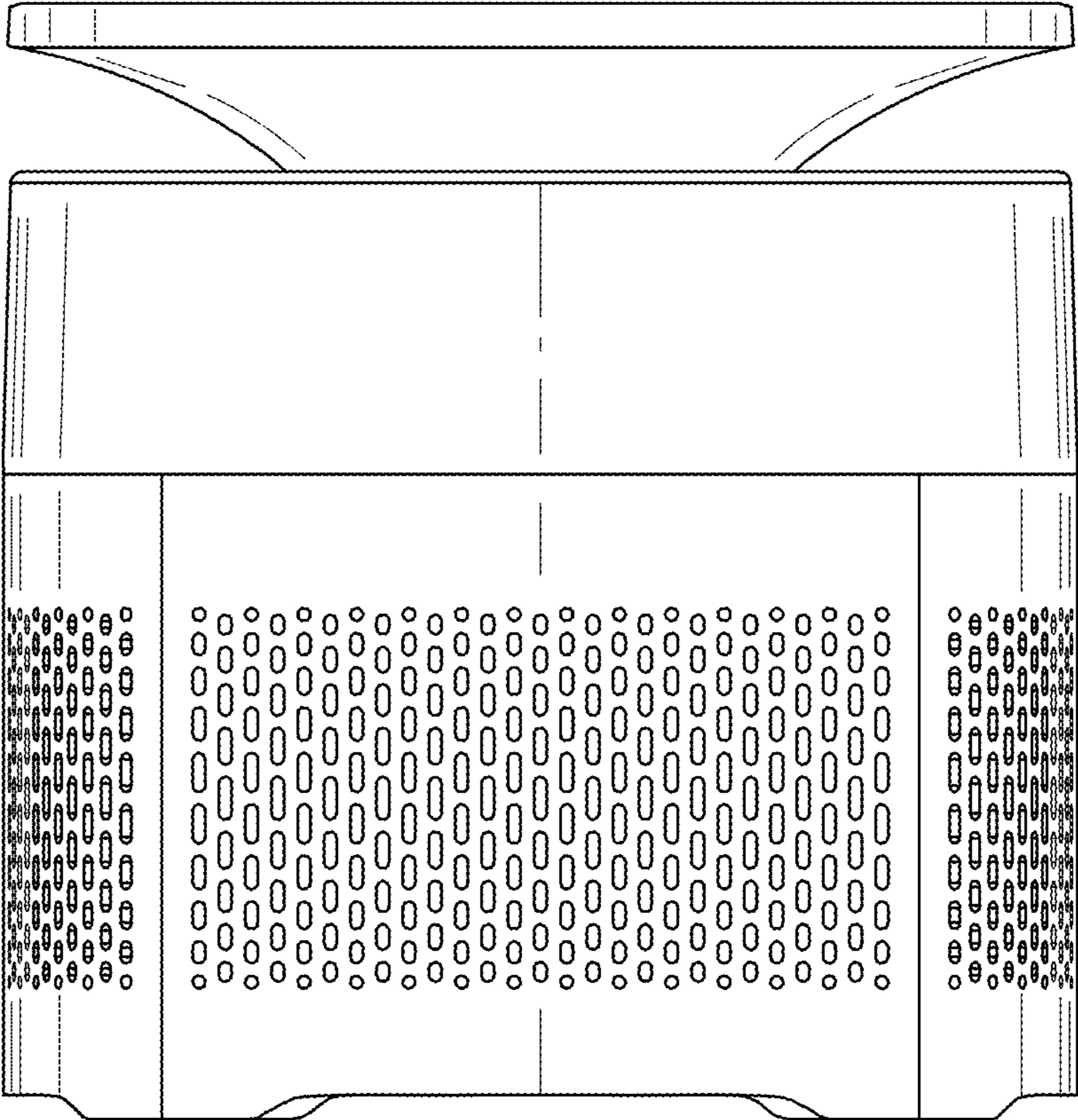


FIG. 2



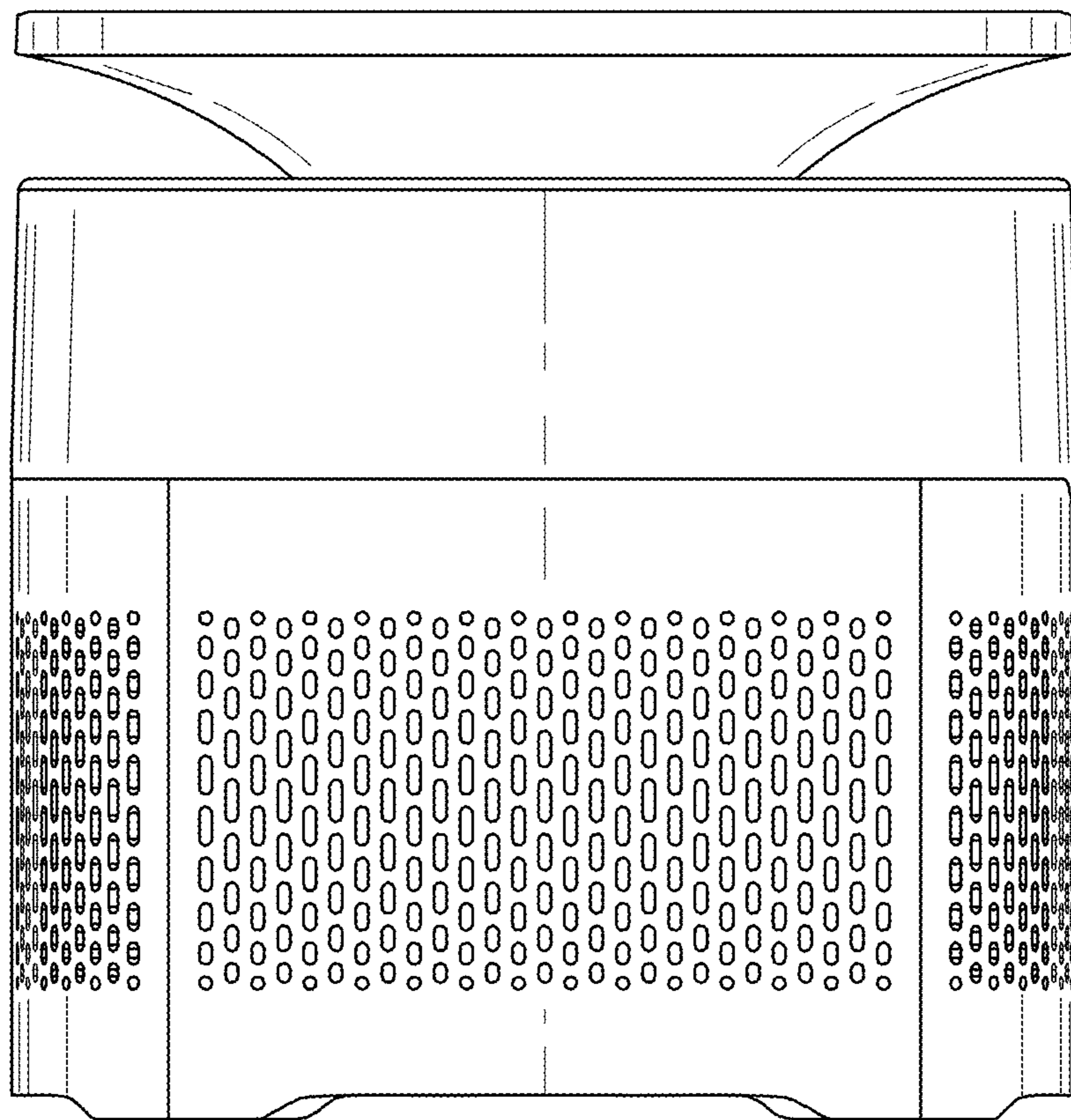


FIG. 3

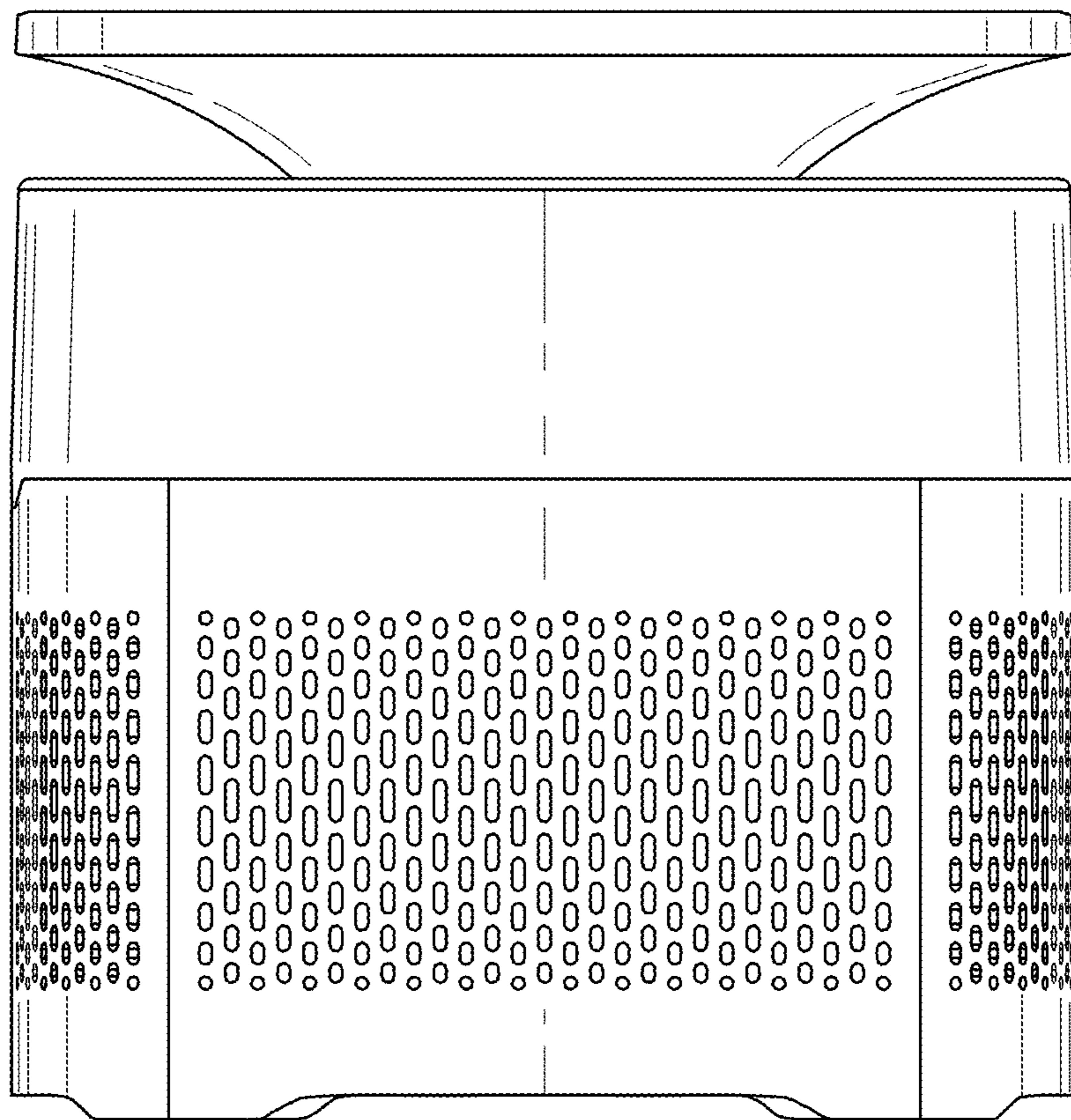


FIG. 4

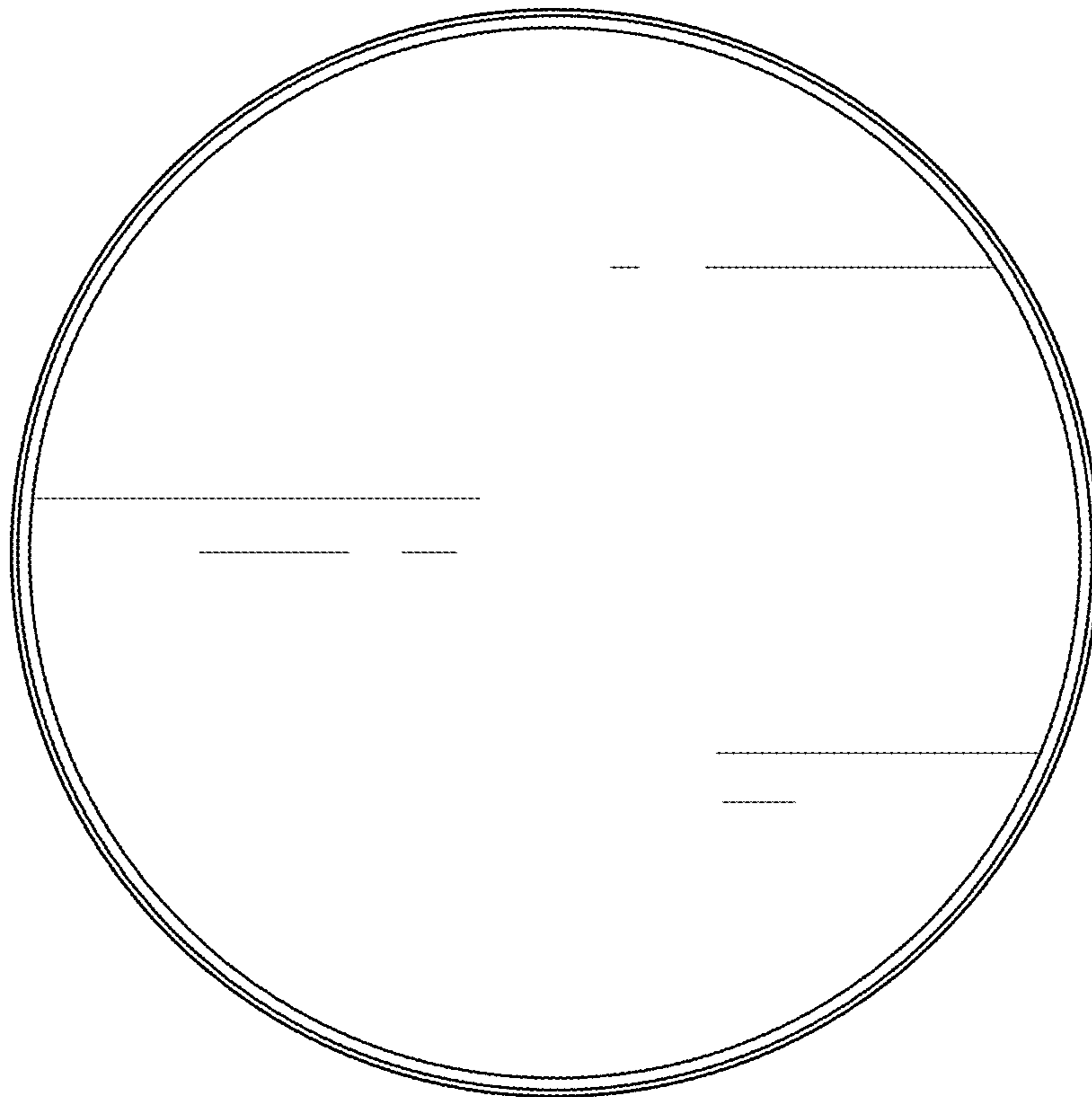


FIG. 5

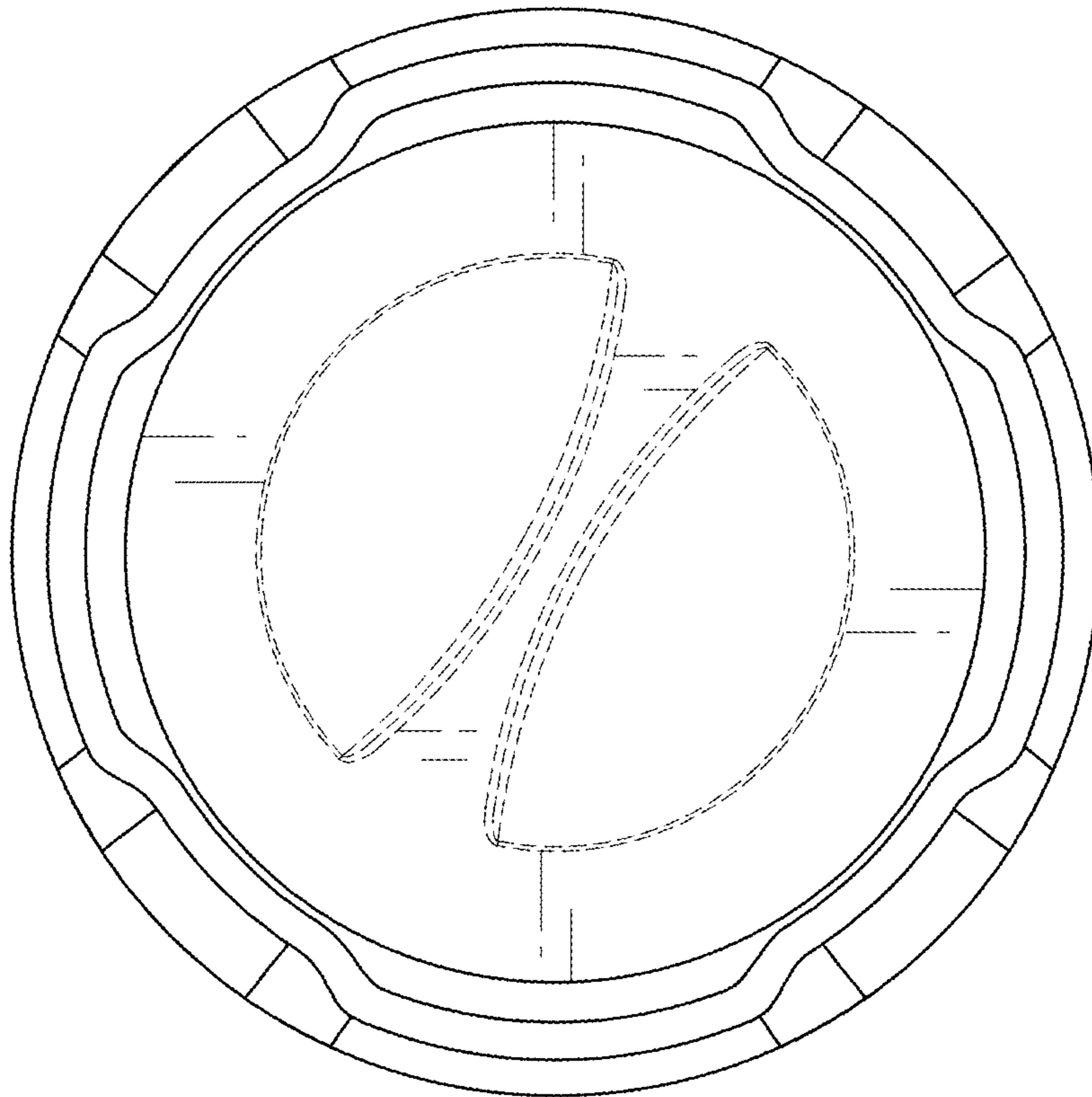


FIG. 6



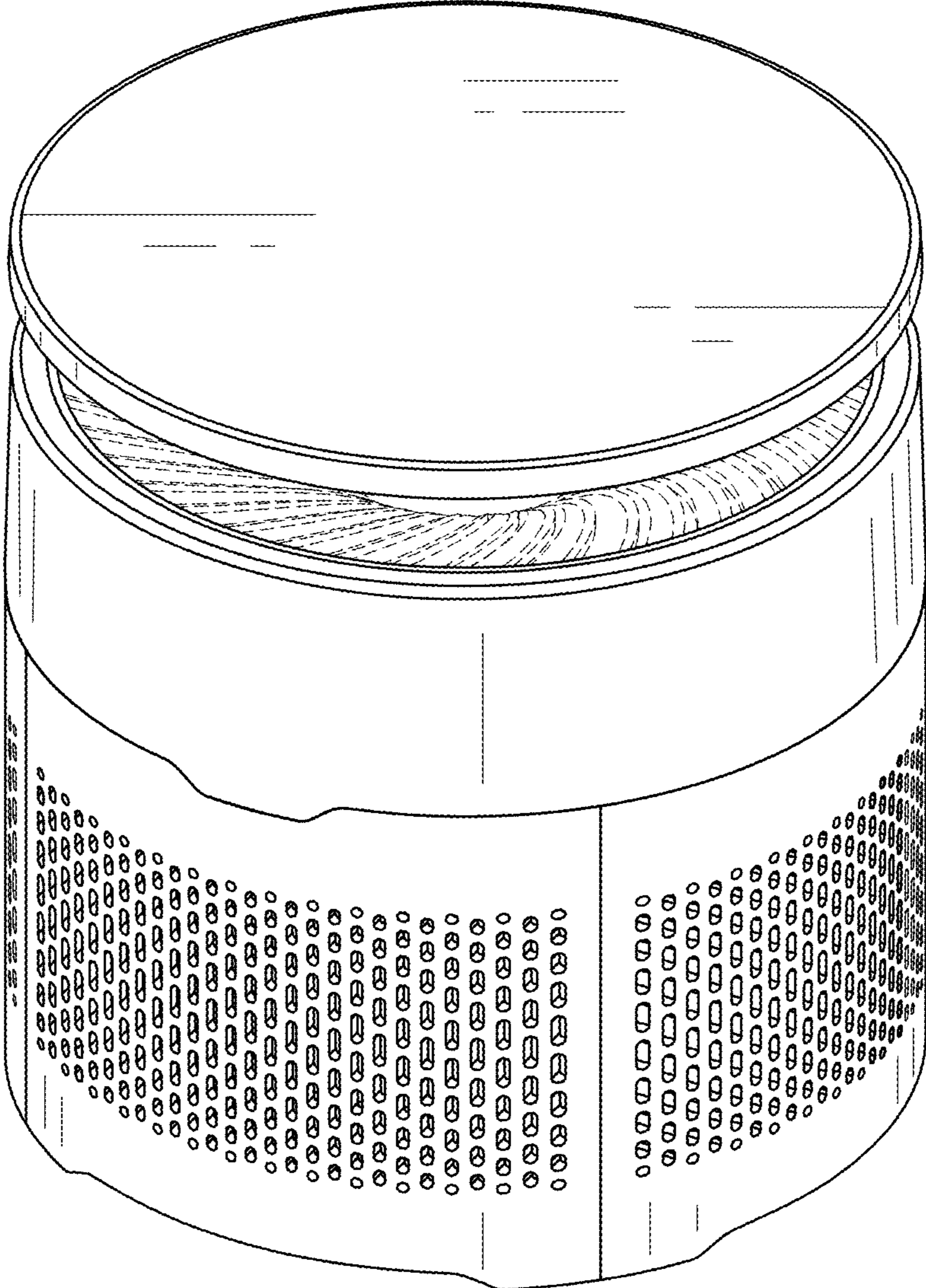


FIG. 7

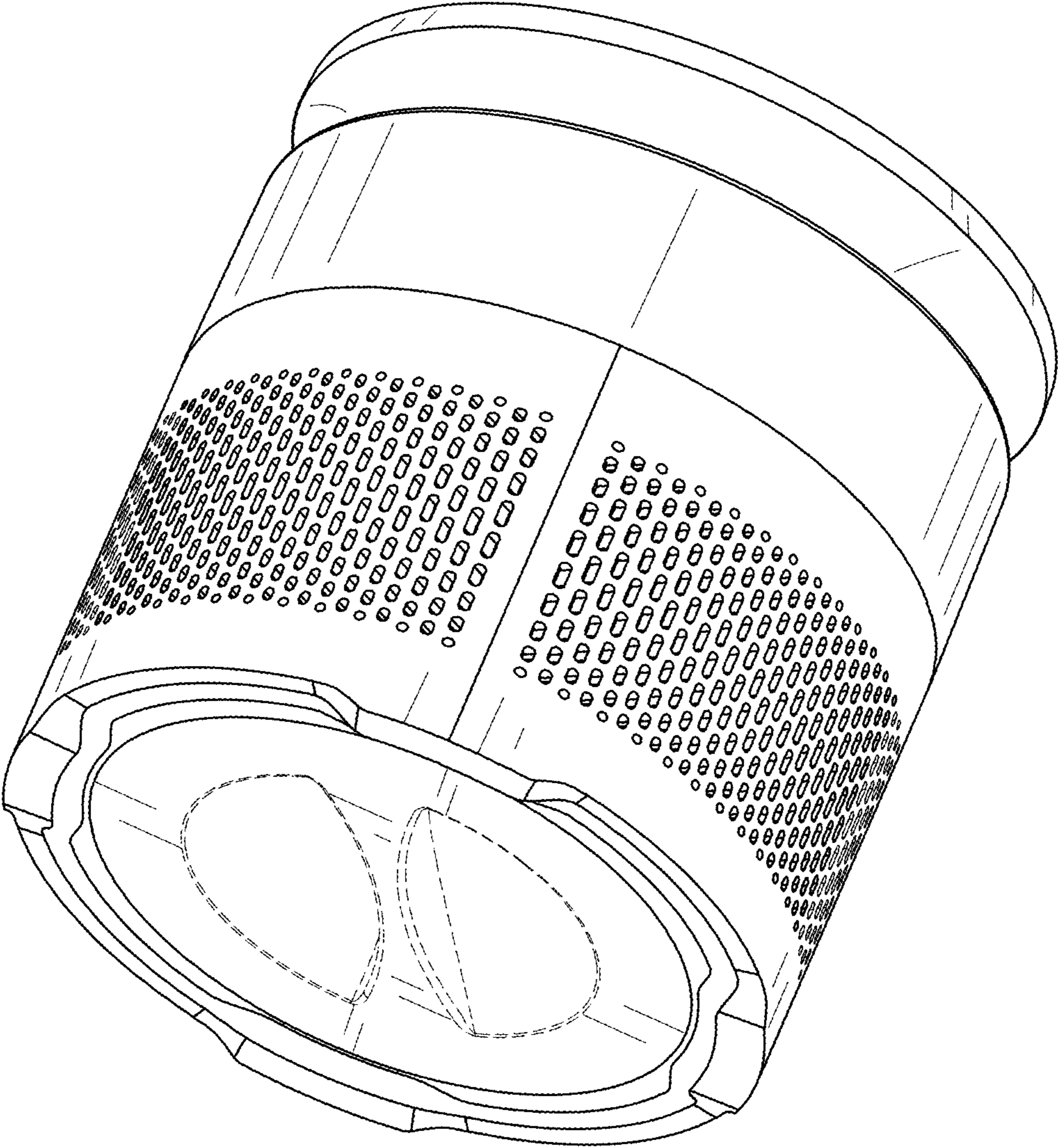


FIG. 8