



US00D952817S

(12) **United States Design Patent**
Han et al.

(10) **Patent No.:** **US D952,817 S**

(45) **Date of Patent:** **** May 24, 2022**

(54) **AIR PURIFIER**

(71) Applicant: **LG ELECTRONICS INC.**, Seoul (KR)

(72) Inventors: **Sungkyong Han**, Seoul (KR); **Sehwan Bae**, Seoul (KR); **Myungwhoon Lee**, Seoul (KR); **Kangeui Cho**, Seoul (KR); **Jiug Ha**, Seoul (KR)

(73) Assignee: **LG ELECTRONICS INC.**, Seoul (KR)

(**) Term: **15 Years**

(21) Appl. No.: **29/721,824**

(22) Filed: **Jan. 23, 2020**

(30) **Foreign Application Priority Data**

Jul. 25, 2019 (KR) 30-2019-0035862

(51) **LOC (13) Cl.** **23-01**

(52) **U.S. Cl.**
USPC **D23/364**

(58) **Field of Classification Search**

USPC .. D7/536, 538, 553.8, 554.2, 602-604, 612;
D9/428, 545, 738, 763-764, 767;
(Continued)

(56) **References Cited**

U.S. PATENT DOCUMENTS

D818,095 S * 5/2018 Cho D23/364
D818,097 S * 5/2018 Cho D23/364
(Continued)

FOREIGN PATENT DOCUMENTS

CN 305631922 * 10/2019
CN 306649802 * 2/2021

OTHER PUBLICATIONS

Levoit Air Purifier Aug. 26, 2019 found on Jan. 21, 2022 at
<https://www.amazon.com/LEVOIT-Purifier-Home-Allergies-Pets/dp/B07VVK39F7/?th=1> (Year: 2019).*

(Continued)

Primary Examiner — Karen S Acker

Assistant Examiner — Jonathan E Fiencke

(74) *Attorney, Agent, or Firm* — Birch, Stewart, Kolasch & Birch, LLP

(57) **CLAIM**

We claim the ornamental design for an air purifier, as shown and described.

DESCRIPTION

FIG. 1 is a perspective view of an air purifier, showing the new design;

FIG. 2 is a front elevation view thereof;

FIG. 3 is a rear elevation view thereof;

FIG. 4 is a left-side elevation view thereof;

FIG. 5 is a right-side elevation view thereof;

FIG. 6 is a top plan view thereof;

FIG. 7 is a bottom plan view thereof;

FIG. 8 is a front perspective view thereof, showing the circulator part at an angle;

FIG. 9 is a front elevation view thereof;

FIG. 10 is a rear elevation view thereof;

FIG. 11 is a left-side elevation view thereof;

FIG. 12 is a right-side elevation view thereof;

FIG. 13 is a top plan view thereof;

FIG. 14 is a bottom plan view thereof;

FIG. 15 is a perspective view of thereof, showing the circulator part at another angle.

FIG. 16 is a front elevation view thereof;

FIG. 17 is a rear elevation view thereof;

FIG. 18 is a left-side elevation view thereof;

FIG. 19 is a right-side elevation view thereof;

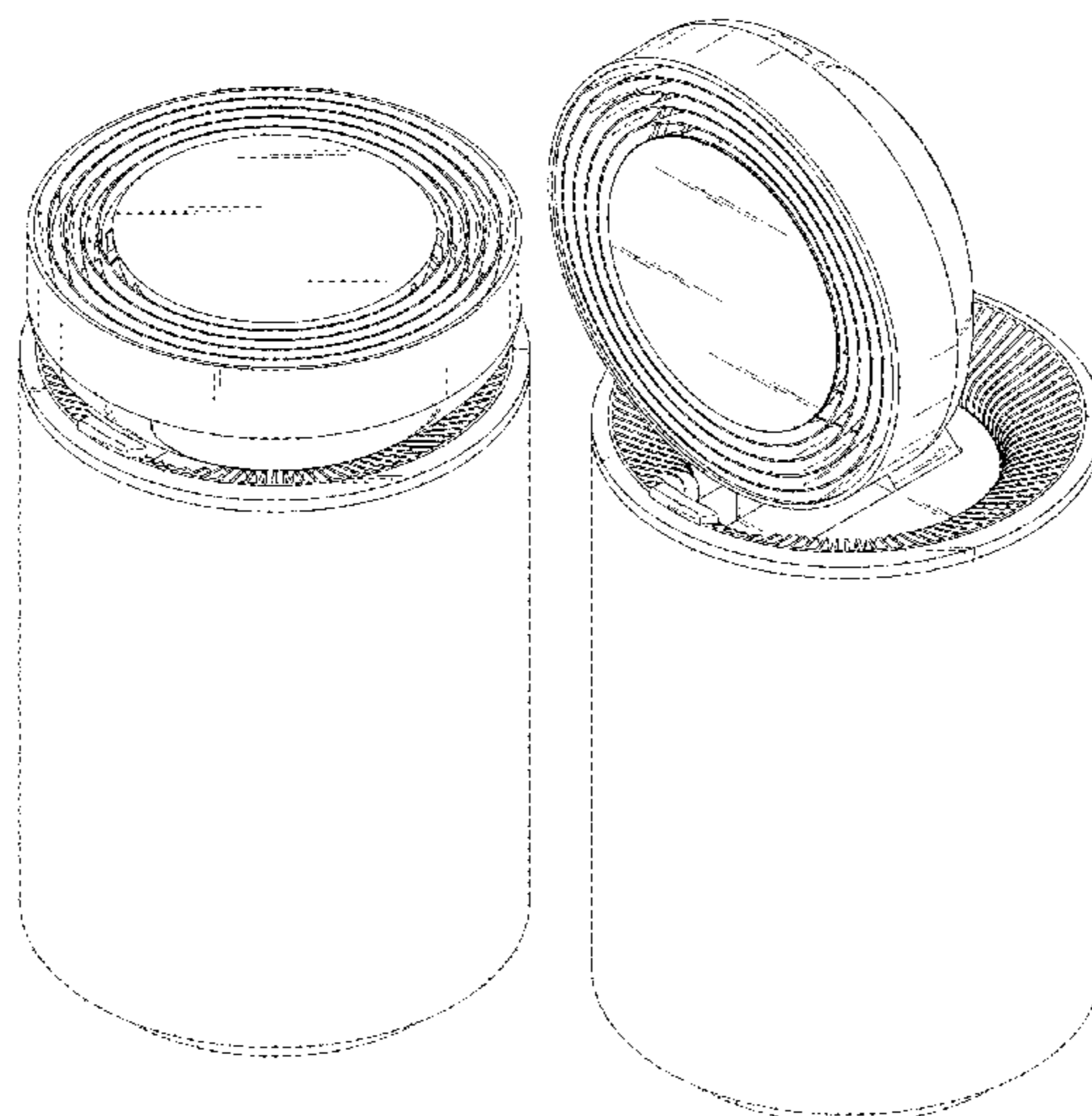
FIG. 20 is a top plan view thereof;

FIG. 21 is a bottom plan view thereof; and,

FIG. 22 is a partial perspective view showing the air purifier of FIG. 1 in a state of use.

The evenly spaced broken lines and unshaded areas depict portions of the air purifier that form no part of the claimed design. The dot dash dot broken line in FIG. 22 denotes the boundary of the partial view.

1 Claim, 22 Drawing Sheets



US D952,817 S

Page 2

(58) **Field of Classification Search**

USPC D23/332-335, 337, 342, 352, 355-366,
D23/369-370

CPC .. A61L 9/00; A61L 9/22; B01D 47/00; B01D
47/027; B01D 2259/4508; B03C 3/155;
B03C 3/368; F24F 3/16; F24F 13/20;
F24F 13/28

See application file for complete search history.

(56) **References Cited**

U.S. PATENT DOCUMENTS

D818,098 S * 5/2018 Cho D23/364
D818,099 S * 5/2018 Cho A47L 7/04
D829,314 S * 9/2018 Cho D23/364
D831,810 S * 10/2018 Cho D23/364
D831,811 S * 10/2018 Cho D23/364
D835,766 S * 12/2018 Chen D23/364

D838,355 S * 1/2019 Cho D23/390
D882,056 S * 4/2020 Baillie D23/364
D884,138 S * 5/2020 Chen B01D 47/18
D886,975 S * 6/2020 Yang D23/366
D888,923 S * 6/2020 Zhong D23/364
D906,501 S * 12/2020 Lim D23/364
D925,716 S * 7/2021 Qin D23/356
D934,403 S * 10/2021 Lei D23/356
D938,566 S * 12/2021 Yang D23/364
2018/0147523 A1* 5/2018 Oh B01D 47/18
2018/0256770 A1* 9/2018 Jang A61L 9/18
2020/0298162 A1* 9/2020 Jeon A47L 7/04

OTHER PUBLICATIONS

Okaysou Air Purifier Oct. 8, 2021 found on Jan. 21, 2022 at
<https://www.amazon.com/dp/B09CDH8HXF/I> (Year: 2021).*

* cited by examiner

FIG. 1

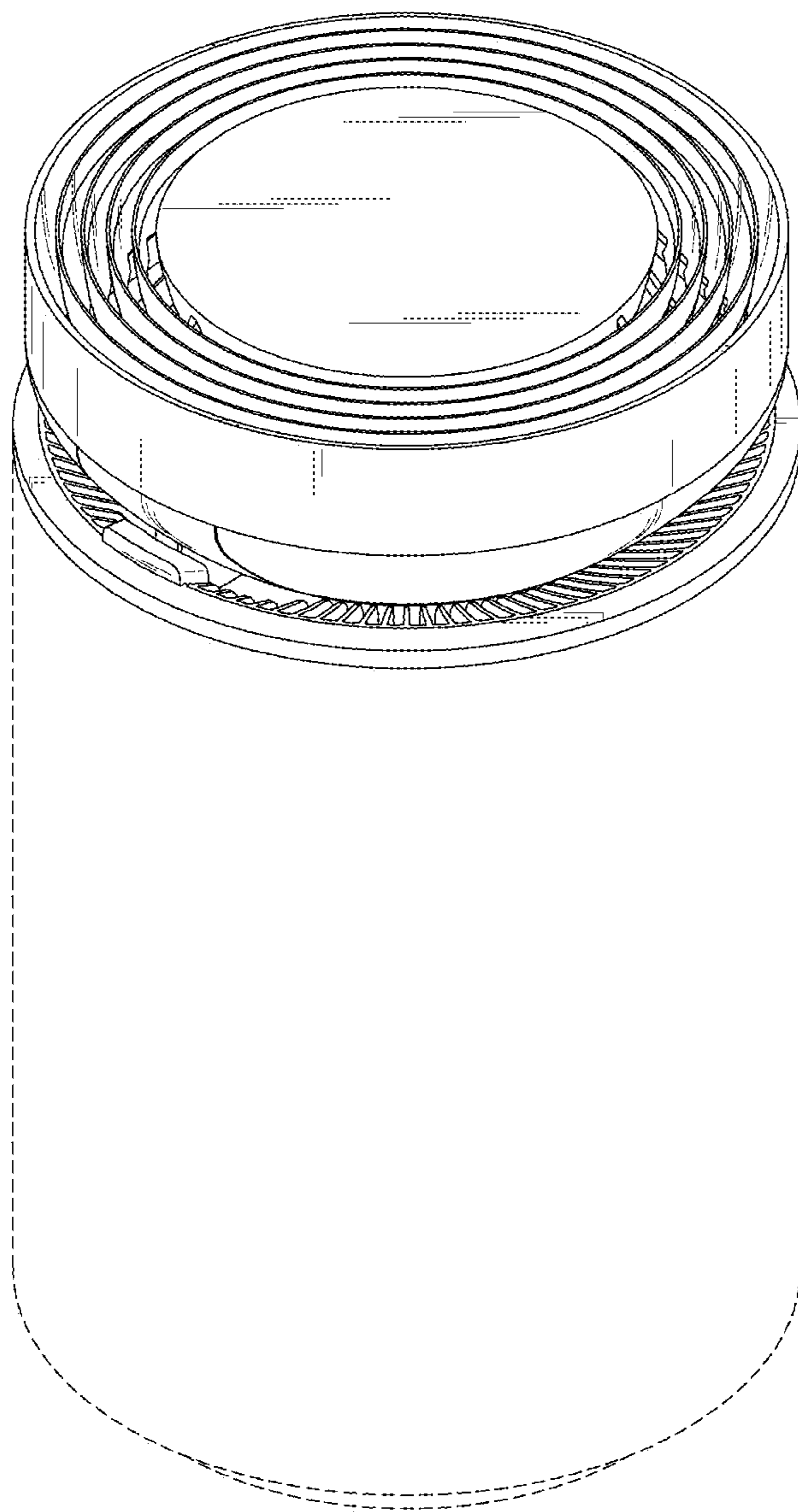


FIG. 2



FIG. 3

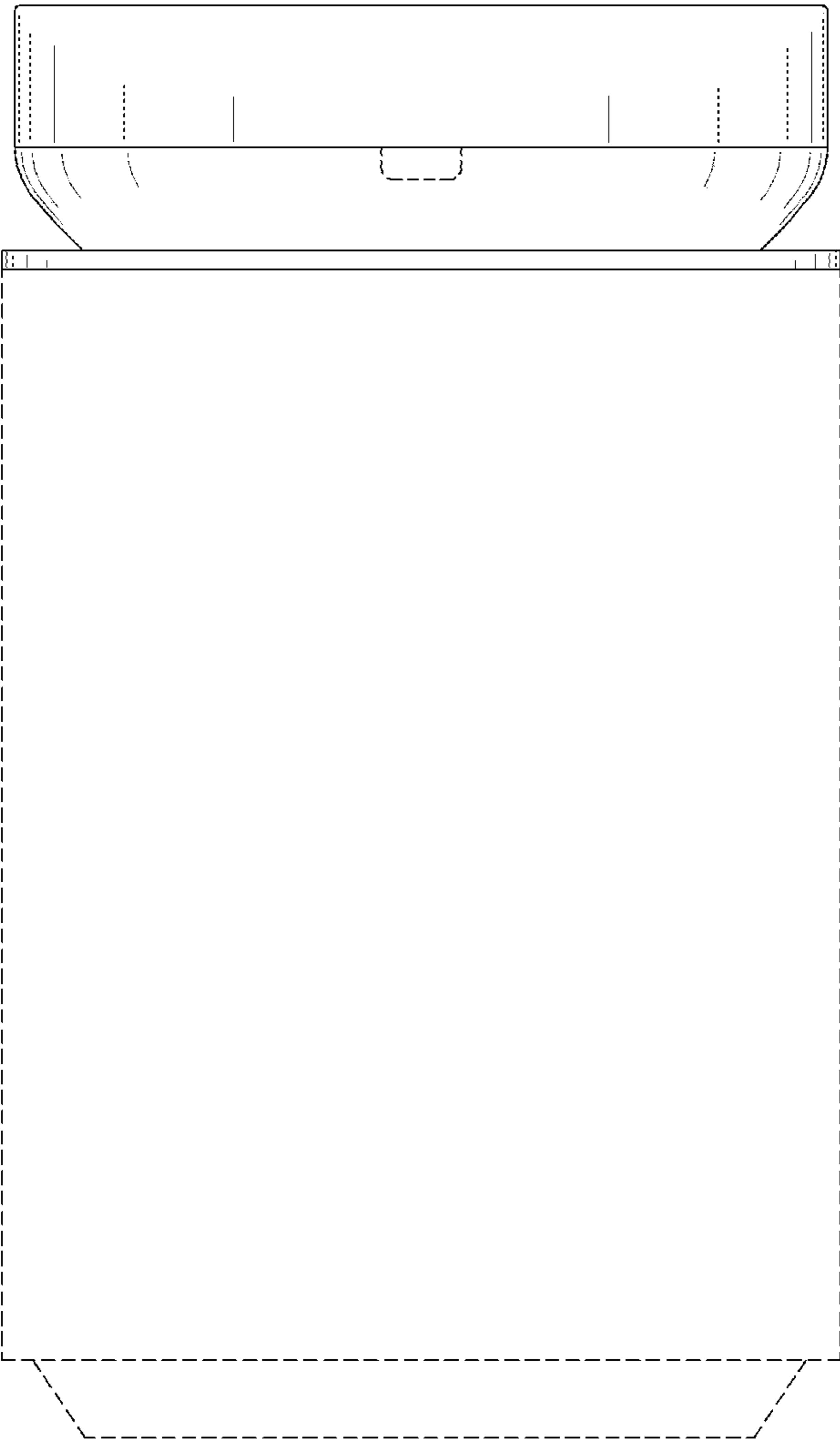


FIG. 4

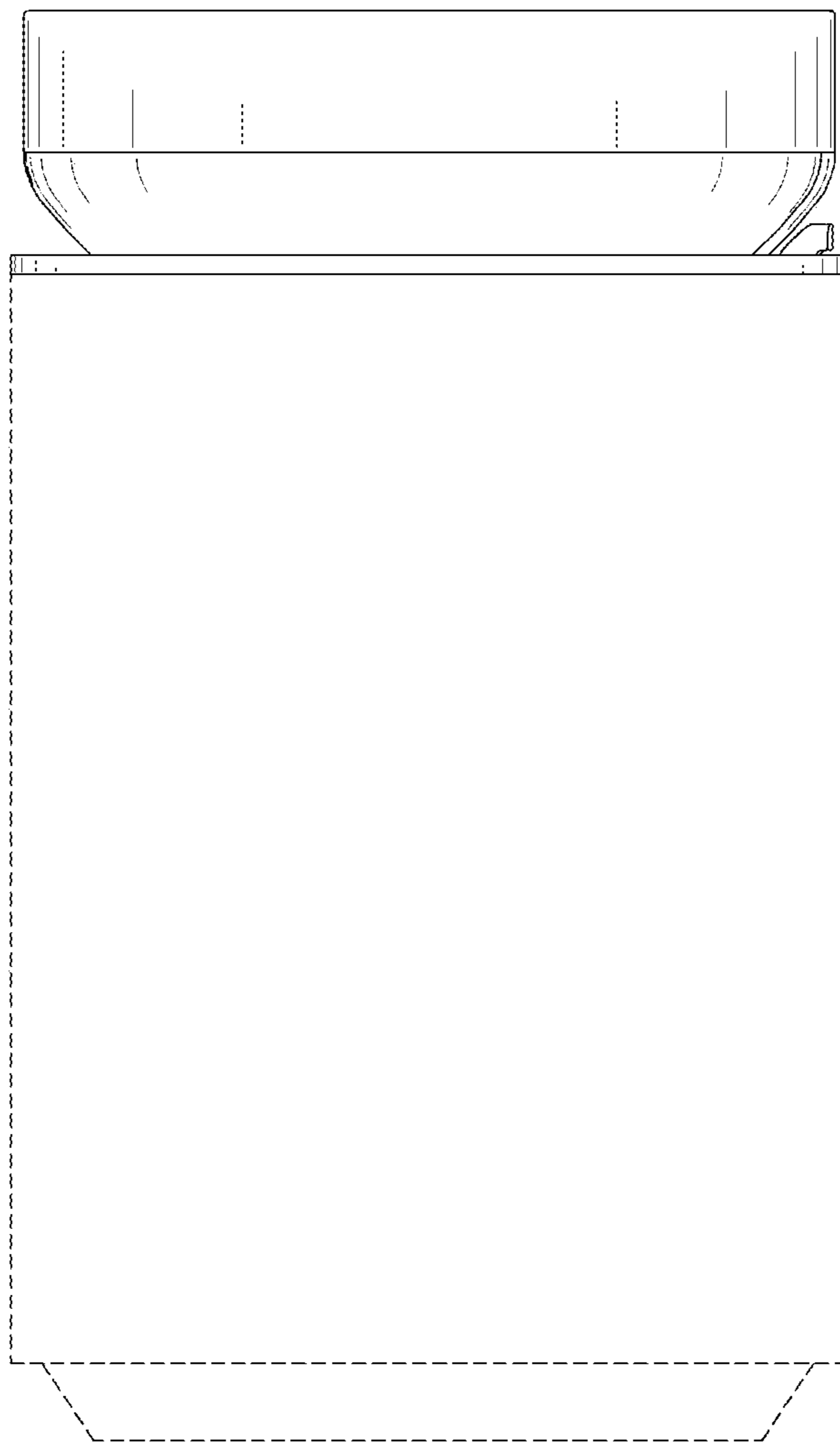


FIG. 5

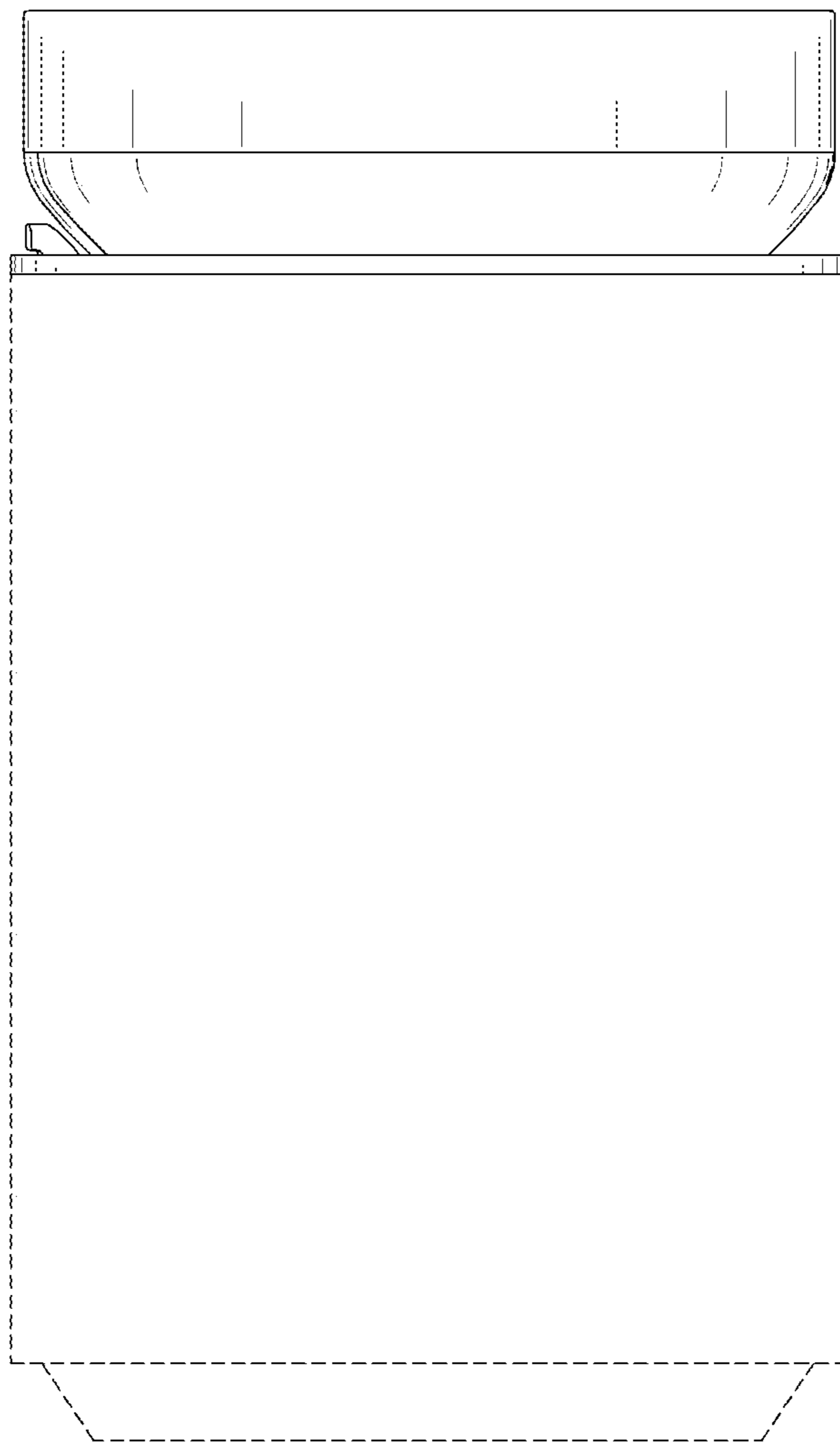


FIG. 6

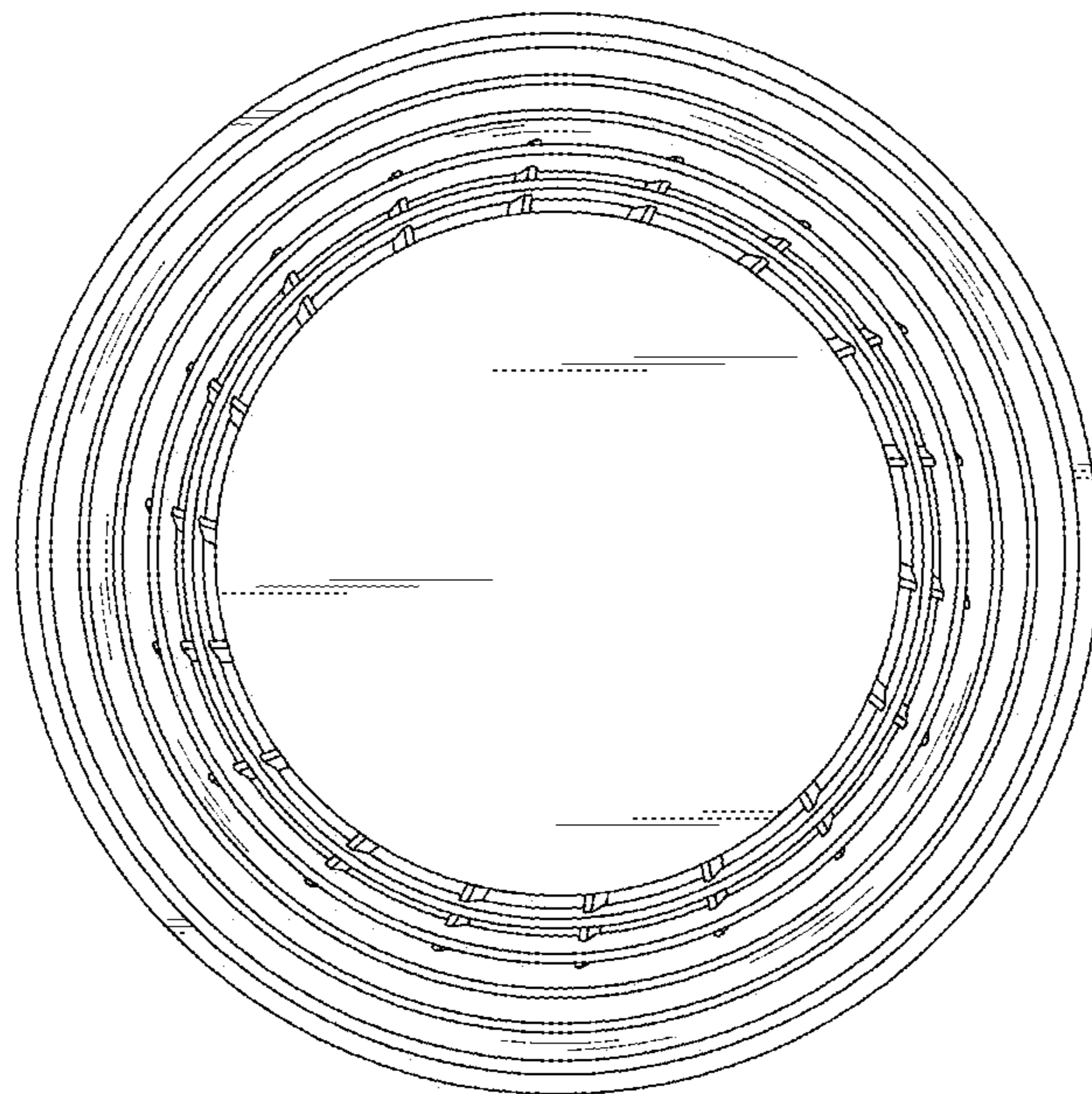


FIG. 7

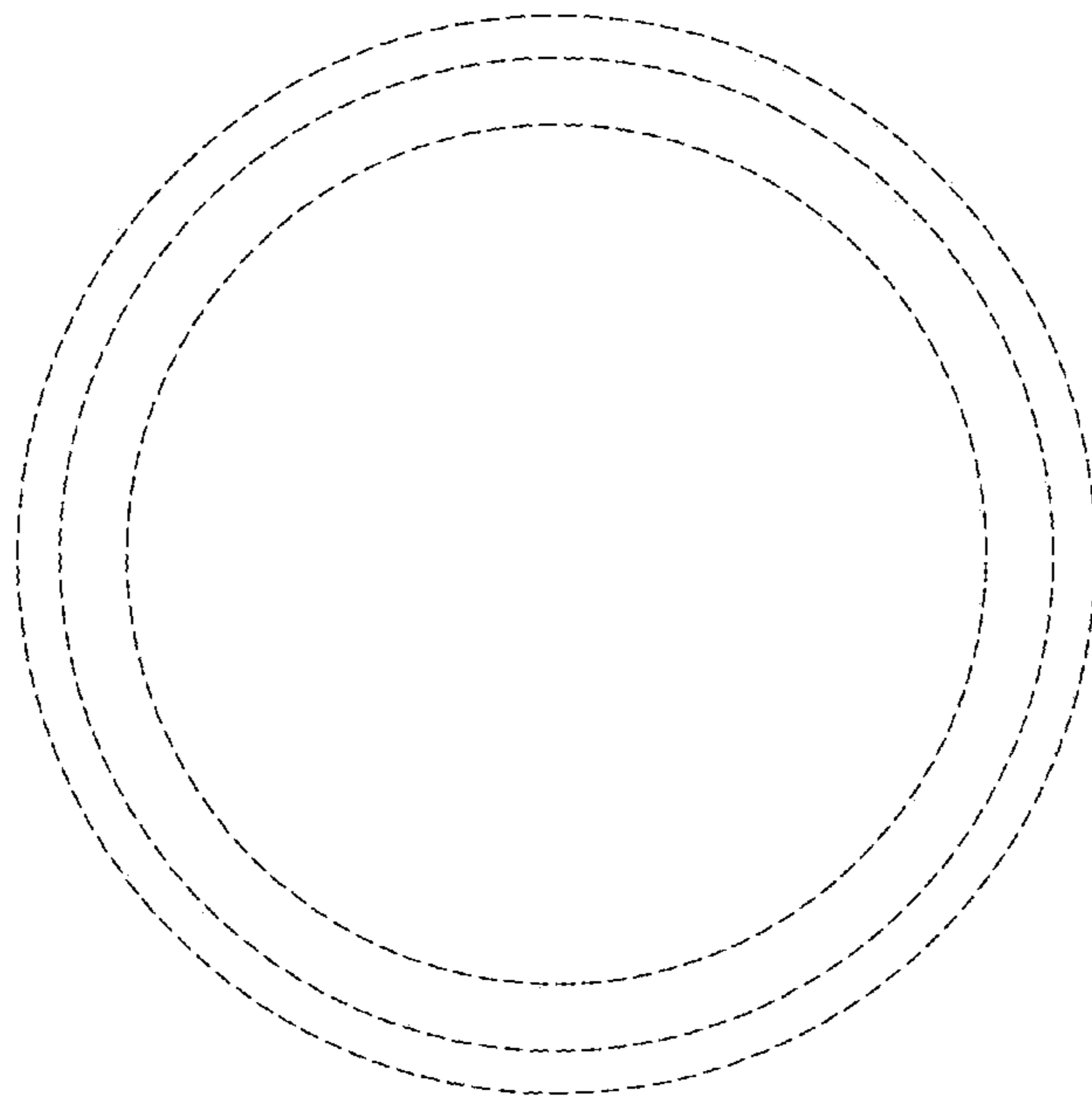


FIG. 8

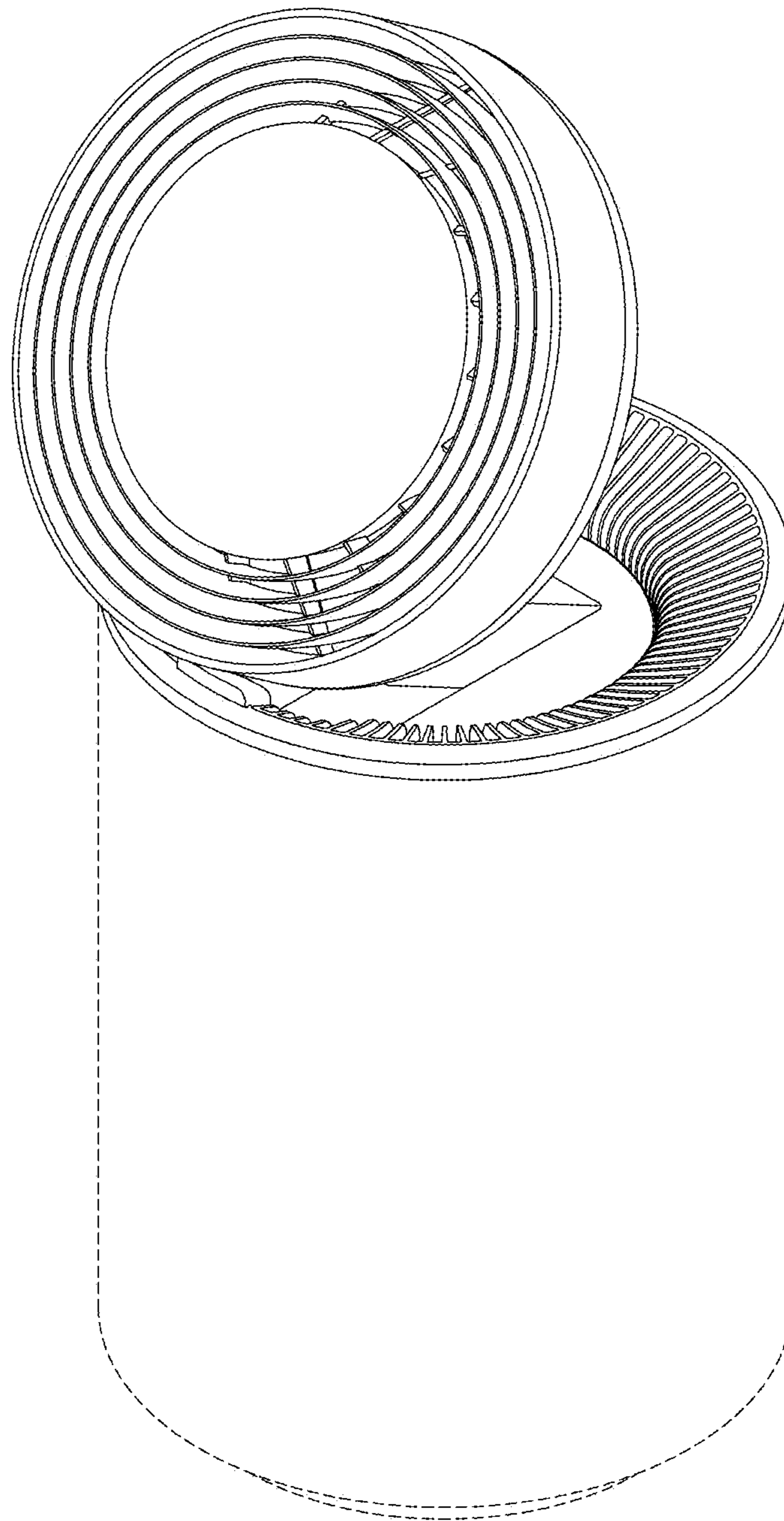


FIG. 9

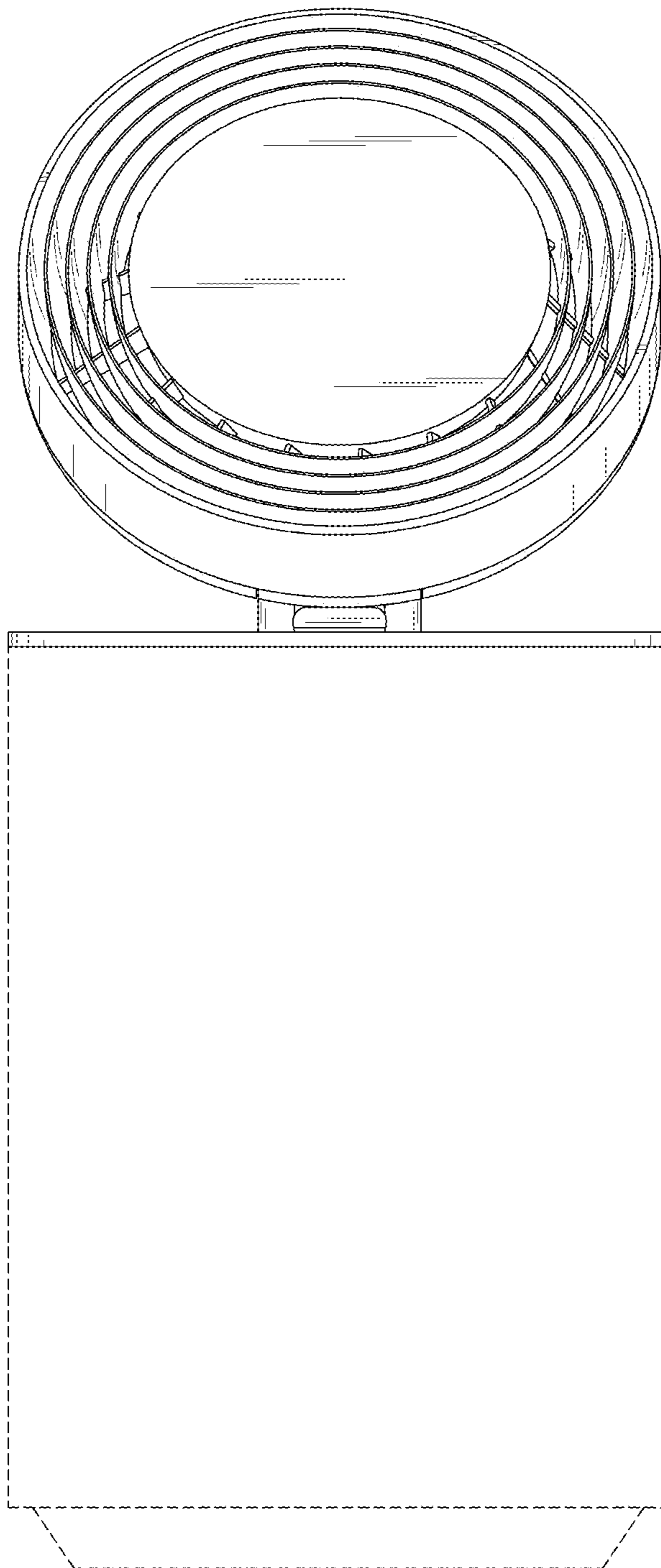


FIG. 10

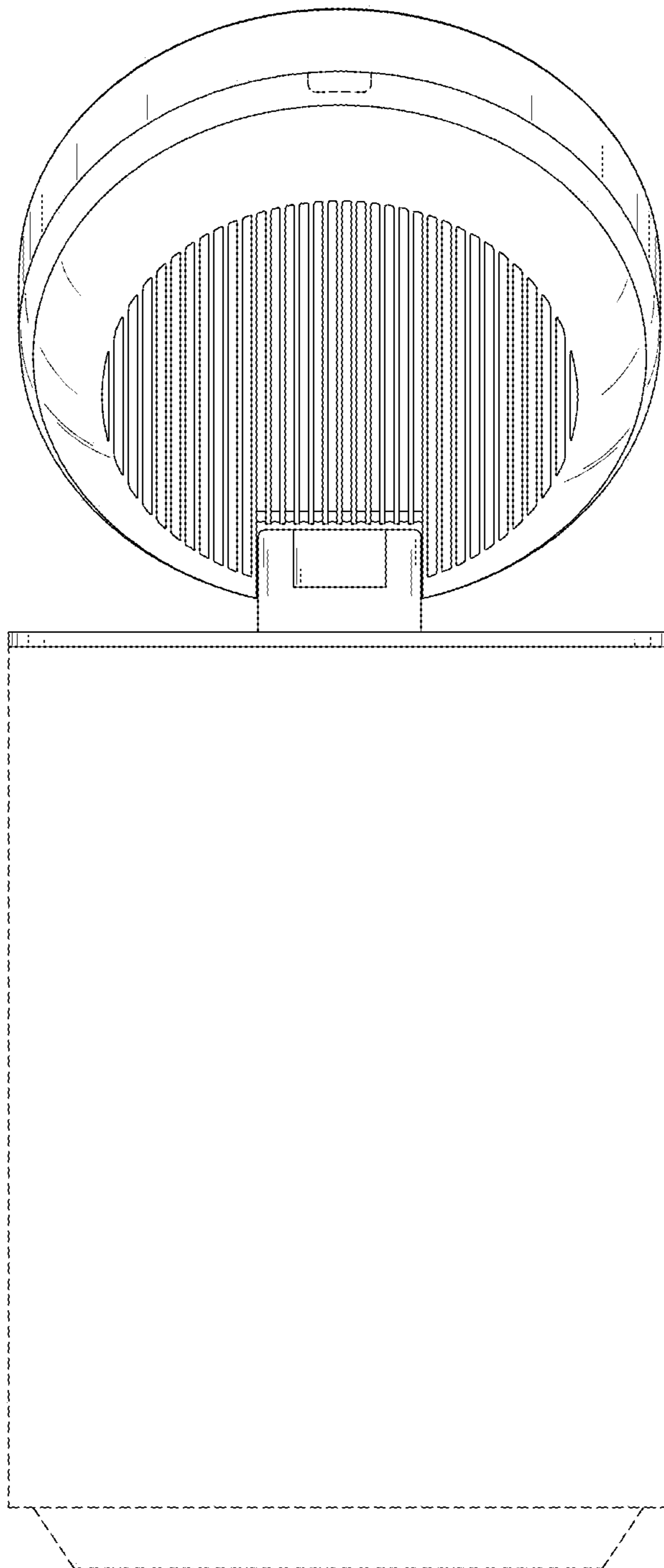


FIG. 11

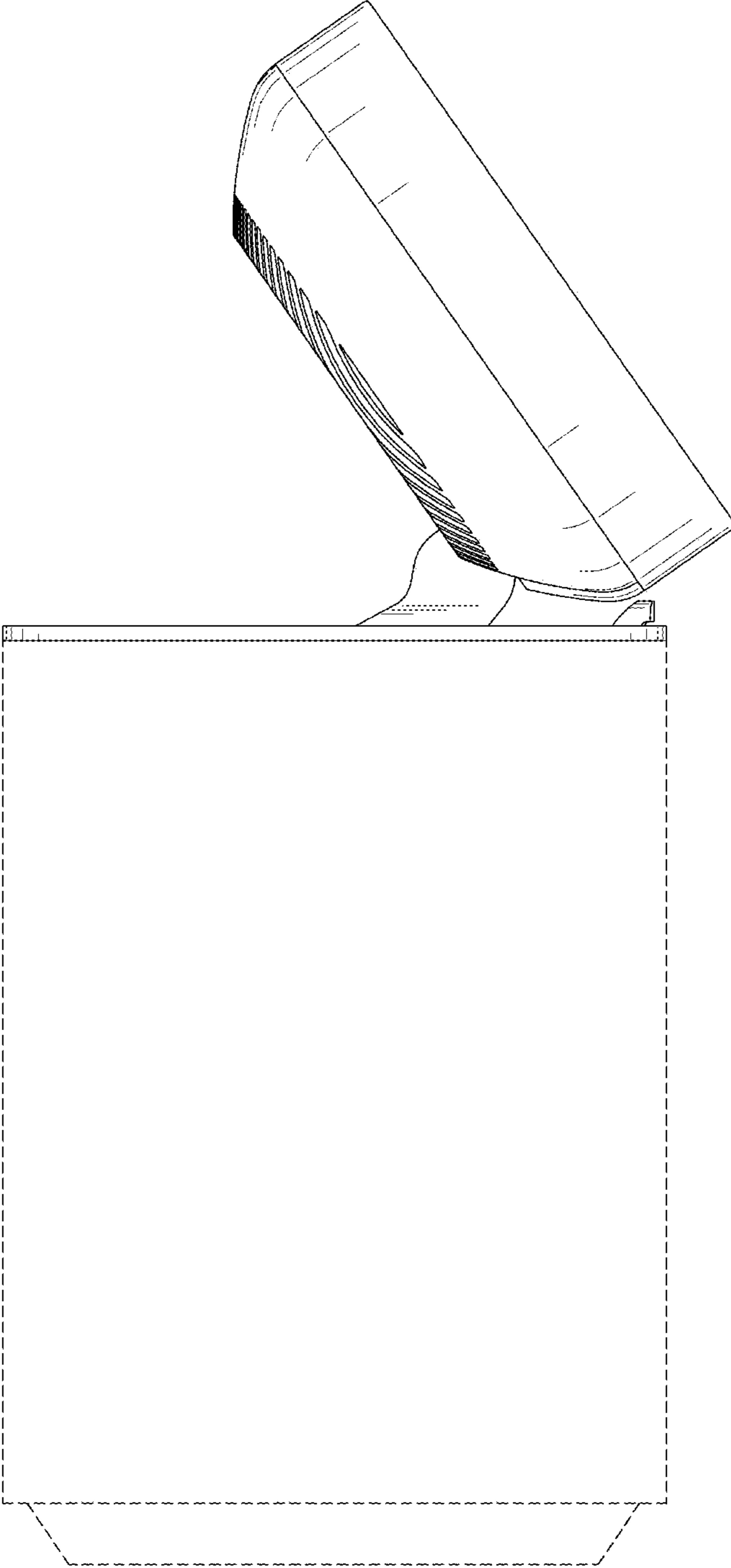


FIG. 12

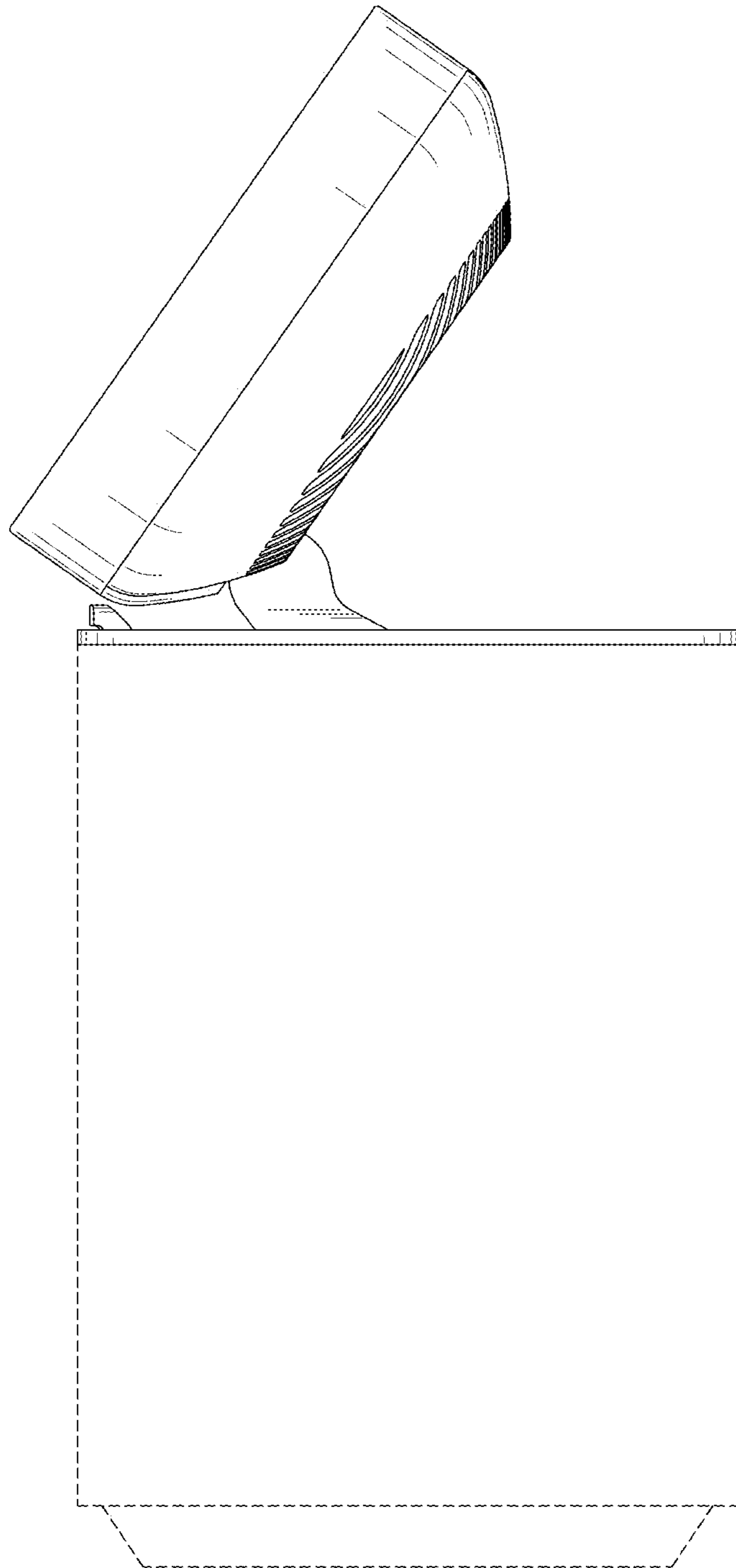


FIG. 13

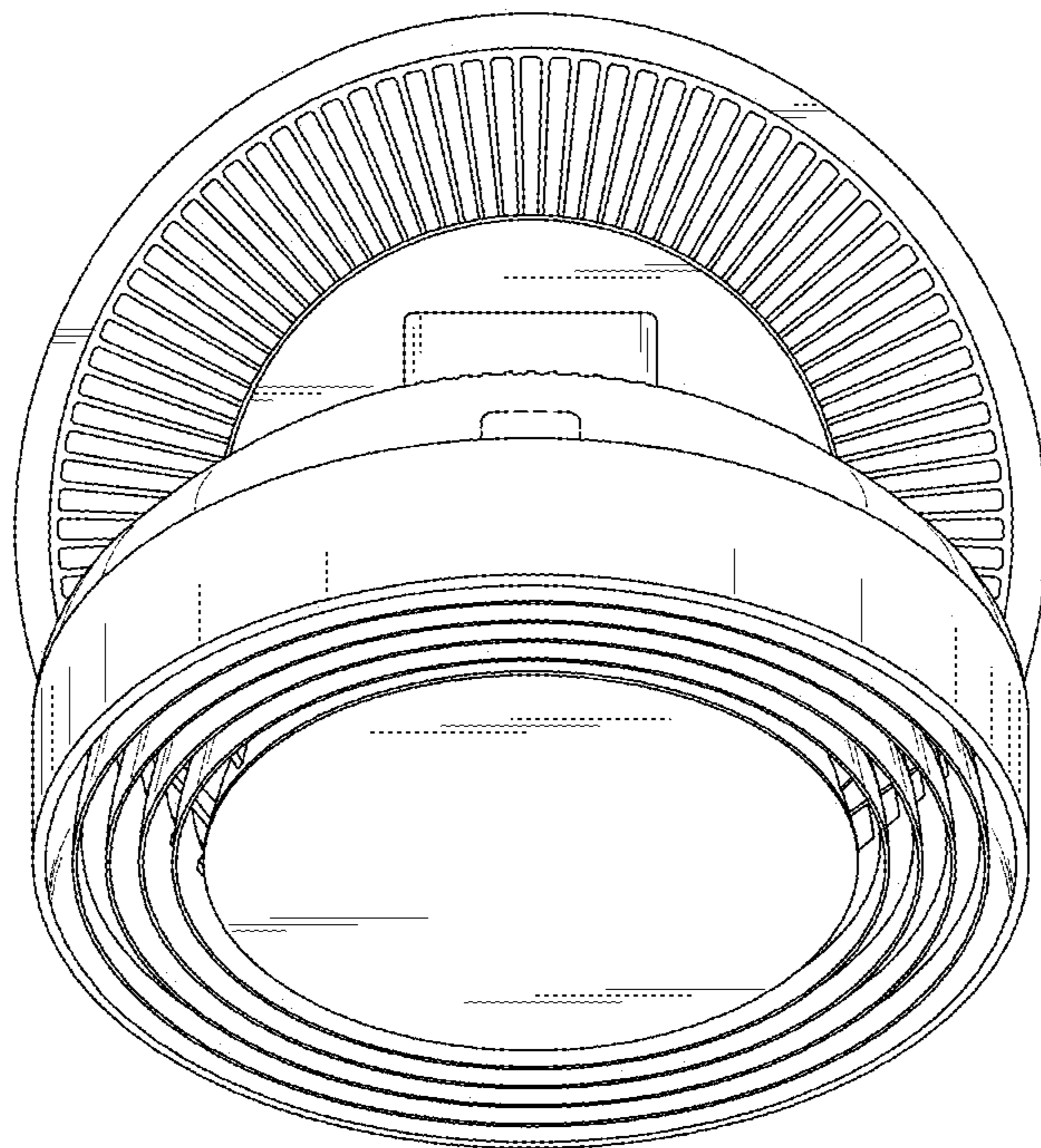


FIG. 14

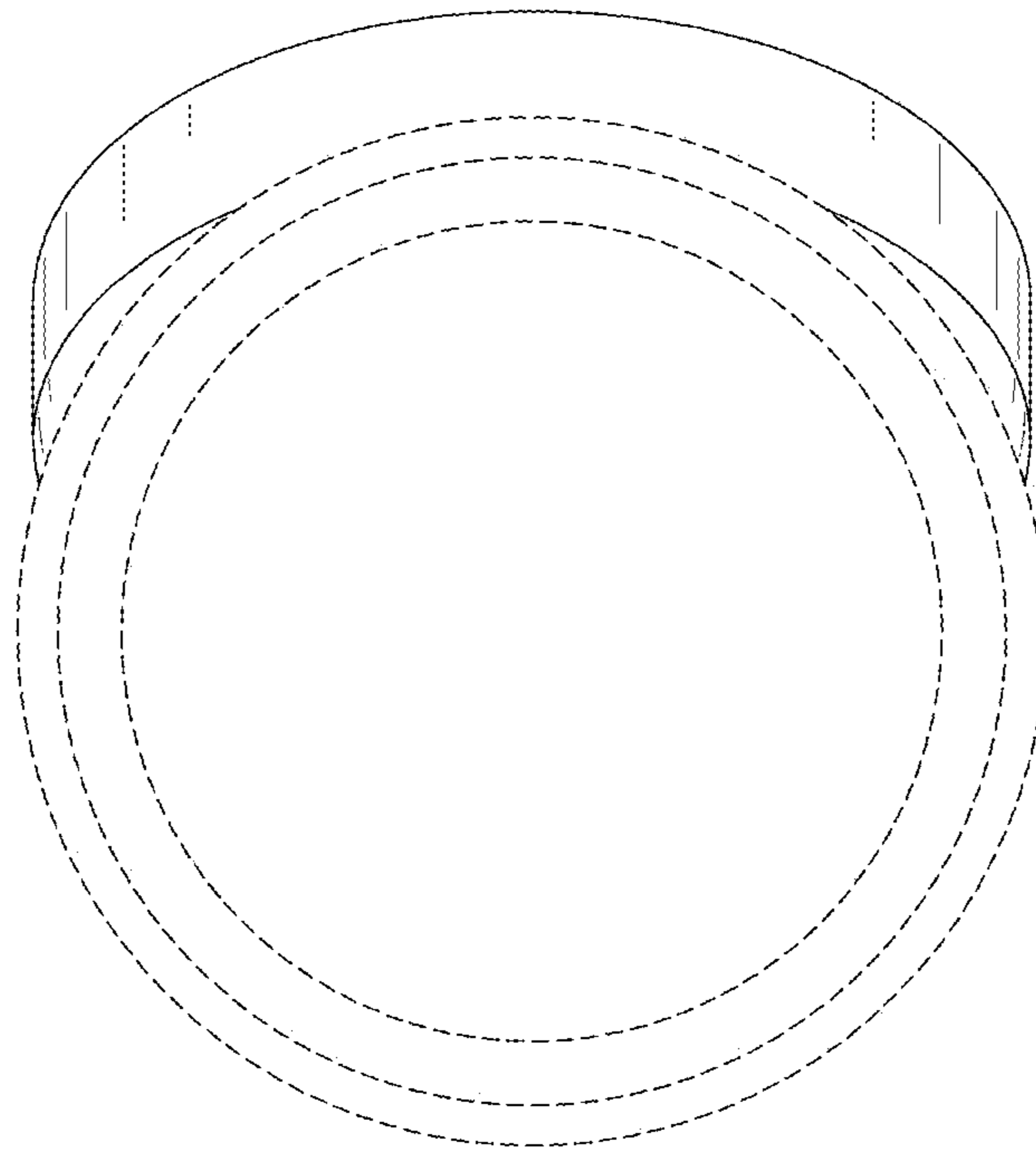


FIG. 15

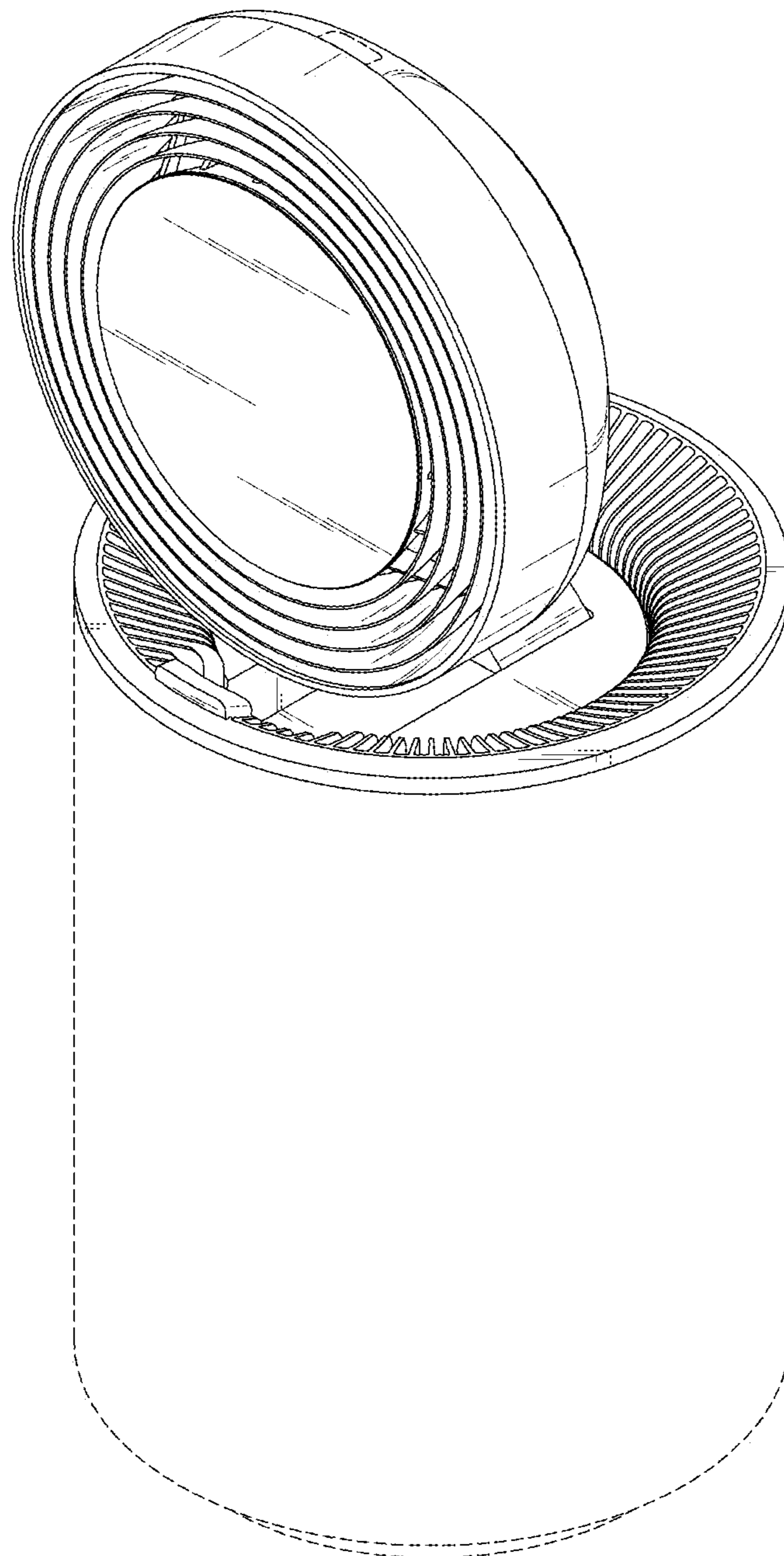


FIG. 16

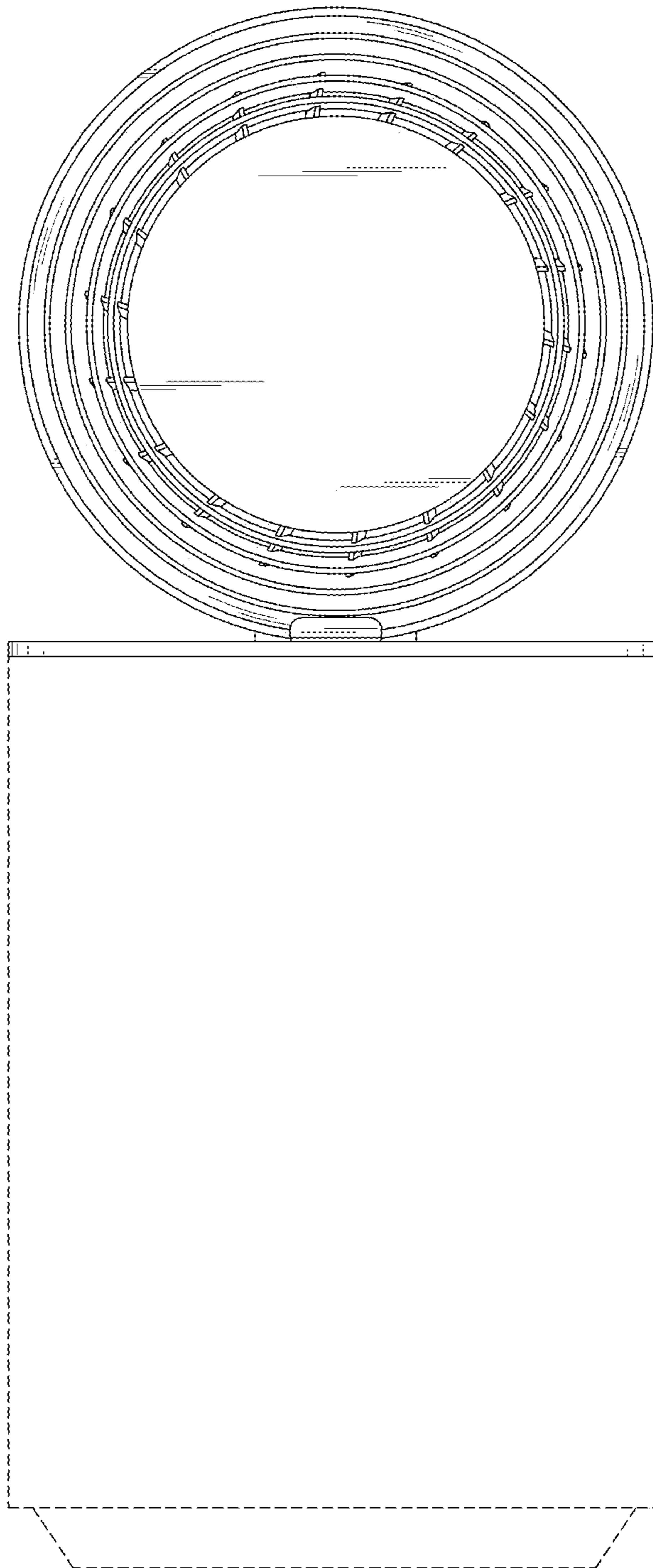


FIG. 17

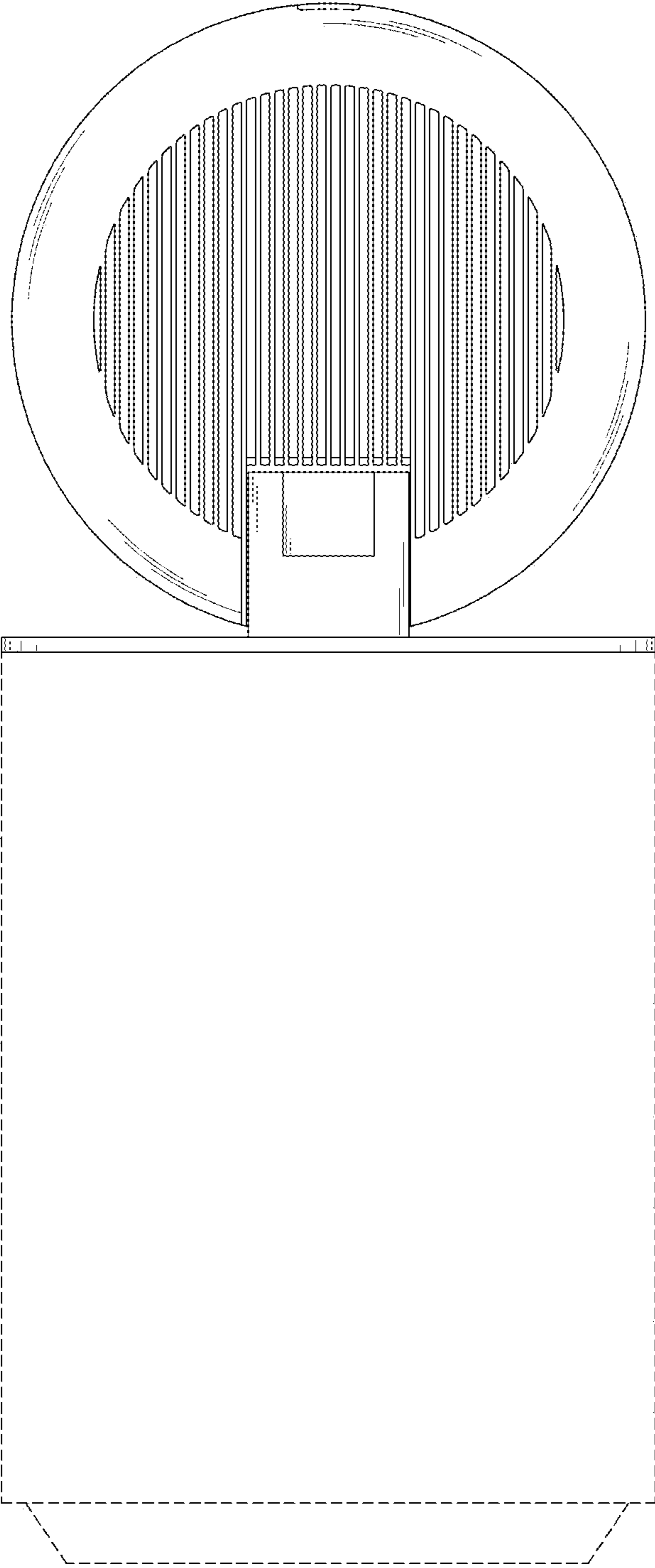


FIG. 18

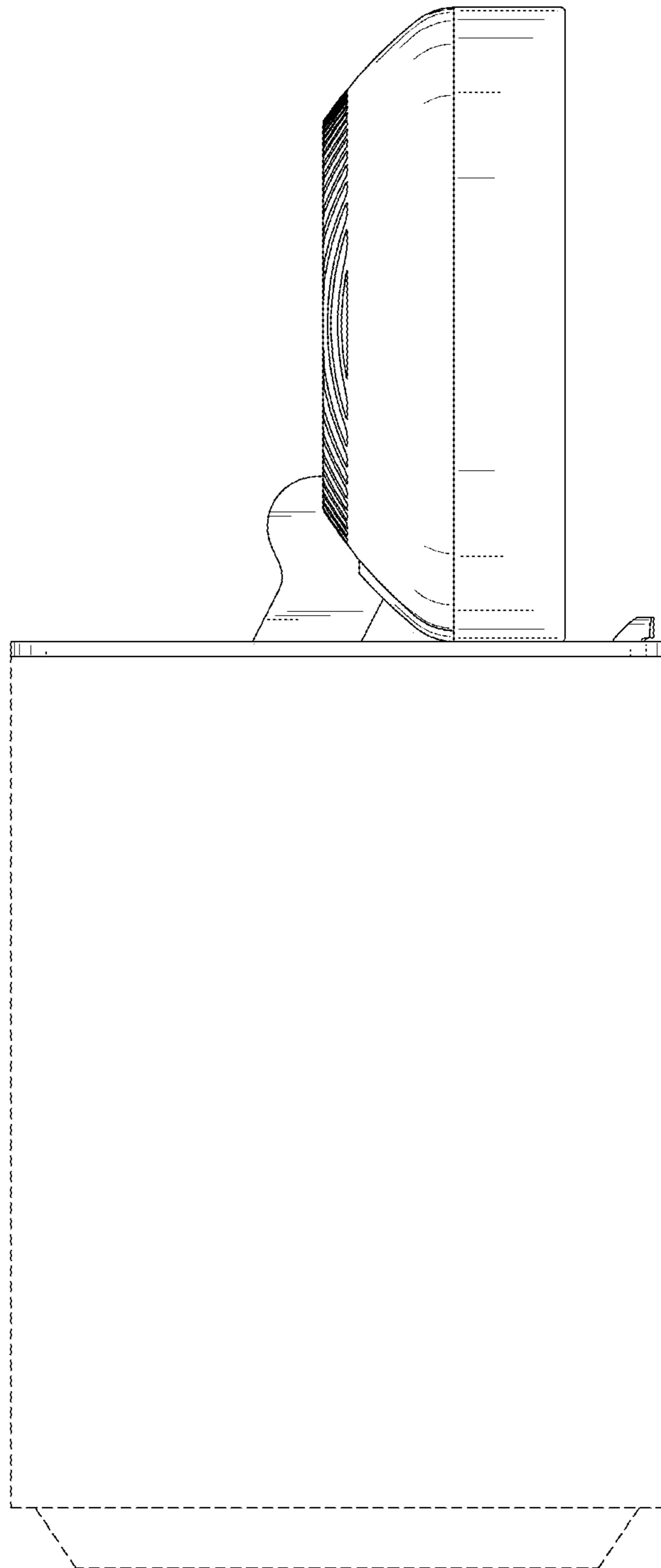


FIG. 19

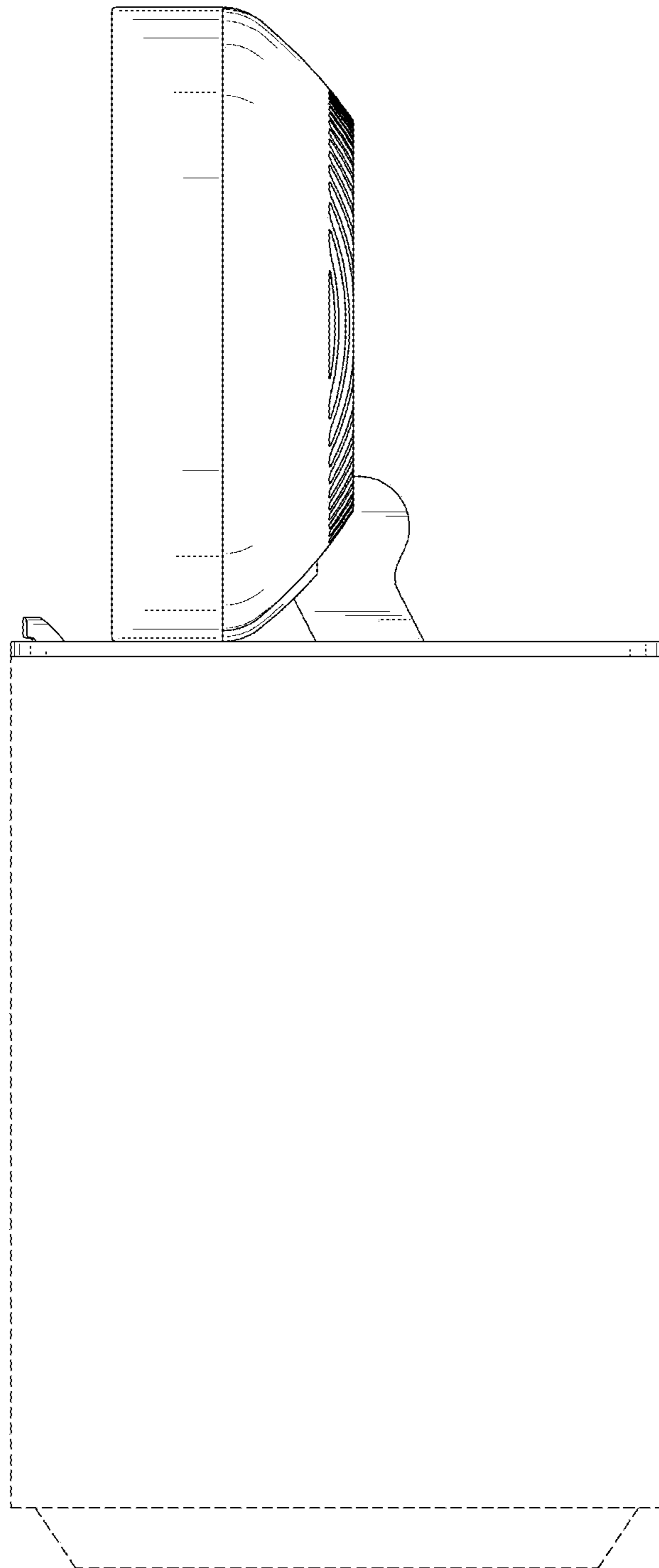


FIG. 20

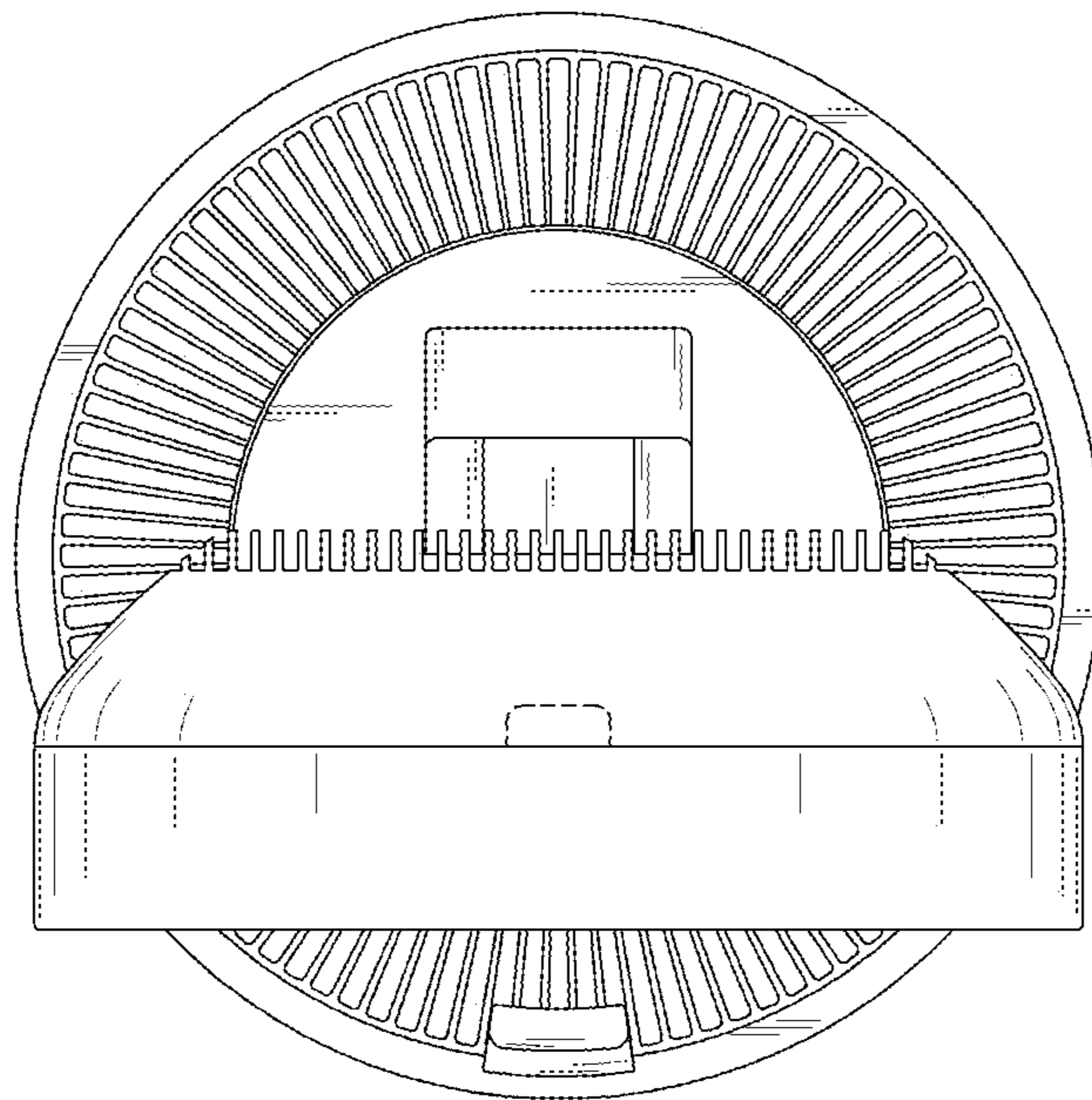


FIG. 21

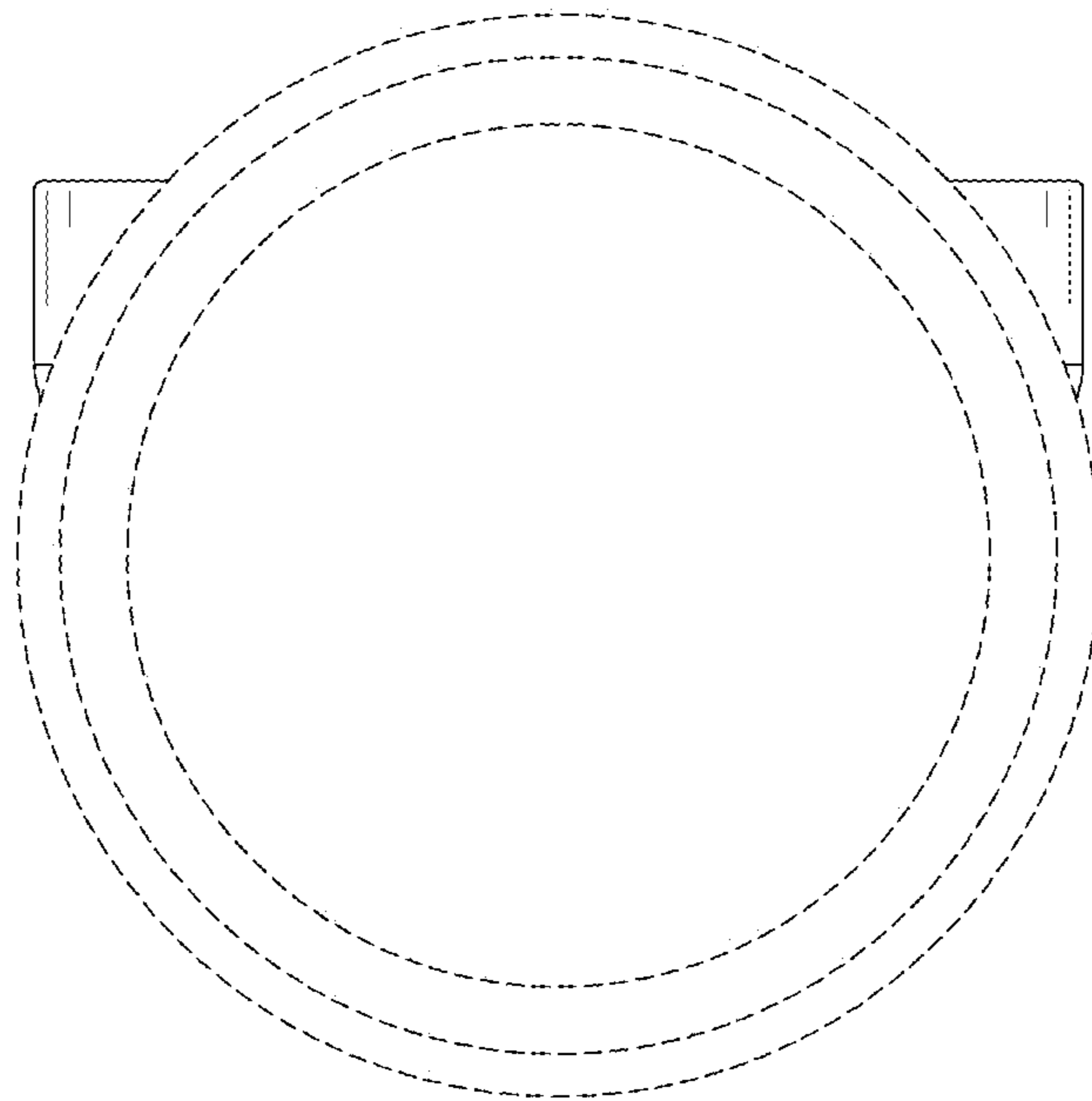


FIG. 22

