



US00D952816S

(12) **United States Design Patent**  
**He et al.**

(10) **Patent No.:** **US D952,816 S**  
(45) **Date of Patent:** **\*\* May 24, 2022**

(54) **ELECTROSTATIC PRECIPITATOR AIR CLEANER**

(71) Applicant: **Ching-Wen Liu**, Taichung (TW)

(72) Inventors: **Jhong-Ruei He**, Taichung (TW);  
**Yi-Shan Chen**, Taichung (TW)

(73) Assignee: **Ching-Wen Liu**, Taichung (TW)

(\*\*) Term: **15 Years**

(21) Appl. No.: **29/719,636**

(22) Filed: **Jan. 6, 2020**

(51) **LOC (13) Cl.** ..... **23-04**

(52) **U.S. Cl.**  
USPC ..... **D23/364**

(58) **Field of Classification Search**  
USPC ..... D23/332-333, 335, 352, 355-365, 369  
CPC .. A61L 9/16; A61L 9/22; B01D 47/00; B01D  
47/027; B01D 2221/02; B01D 2259/4508;  
F24F 3/16; F24F 13/28  
See application file for complete search history.

(56) **References Cited**

**U.S. PATENT DOCUMENTS**

- D639,413 S \* 6/2011 Wu ..... F24F 8/192  
D23/364
- D705,410 S \* 5/2014 Terao ..... D23/364
- D755,942 S \* 5/2016 Kim ..... D23/364
- D782,019 S \* 3/2017 Kim ..... D23/364
- D798,430 S \* 9/2017 Nord ..... D23/364
- D799,016 S \* 10/2017 Su ..... D23/364

- D837,354 S \* 1/2019 Su ..... D23/364
- D852,344 S \* 6/2019 Hua ..... D23/364
- D905,840 S \* 12/2020 Cao ..... D23/364
- D908,855 S \* 1/2021 Ediger ..... D23/364
- D912,796 S \* 3/2021 Huang ..... B01D 46/0004  
D23/364

- 2015/0231645 A1\* 8/2015 Engberg ..... F24F 8/192  
96/88
- 2020/0061231 A1\* 2/2020 Jeong ..... B01D 46/0004

\* cited by examiner

*Primary Examiner* — Karen S Acker  
*Assistant Examiner* — Jonathan E Fiencke

(57) **CLAIM**

The ornamental design for an electrostatic precipitator air cleaner, as shown and described.

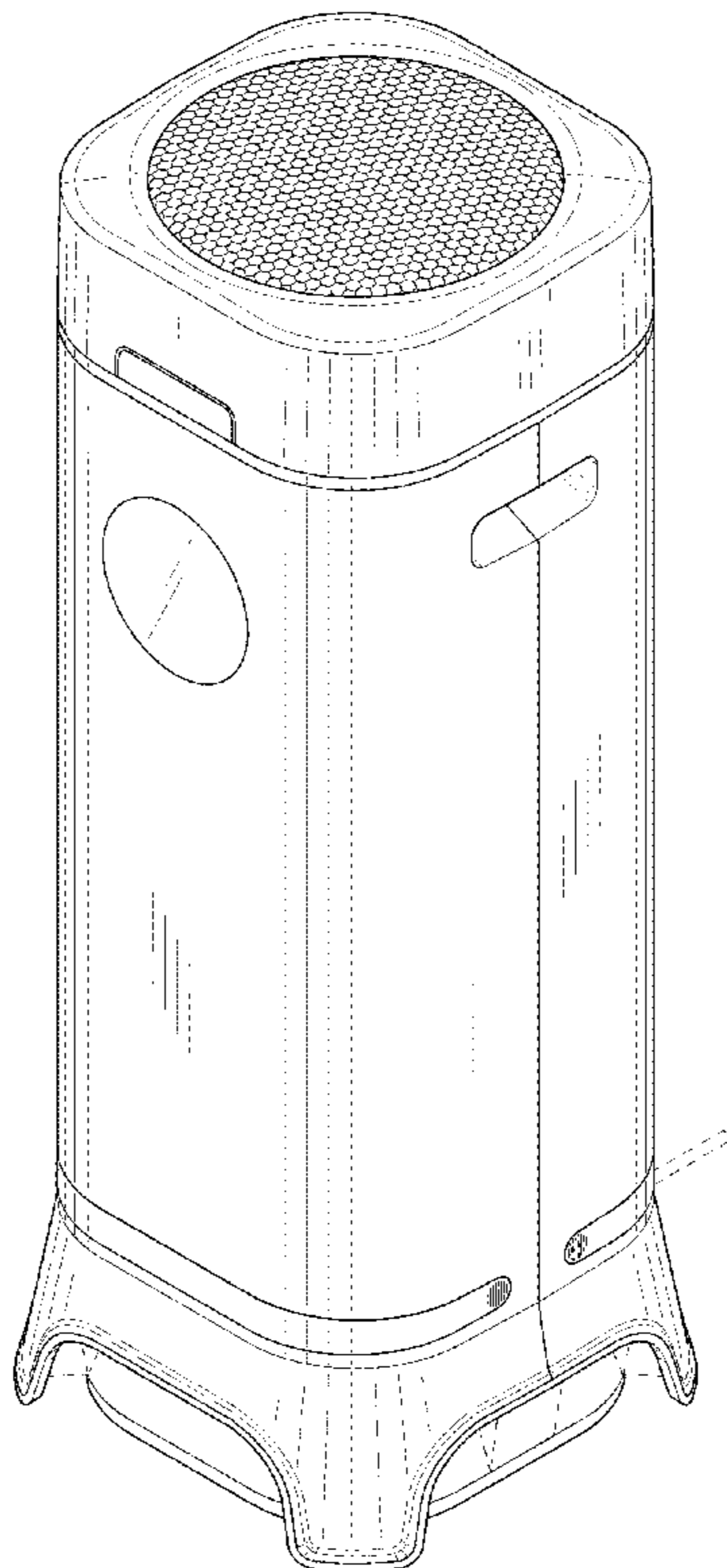
**DESCRIPTION**

FIG. 1 is a perspective view of an electrostatic precipitator air cleaner showing my new design; FIG. 2 is a front view thereof; FIG. 3 is a rear view thereof; FIG. 4 is a left view thereof; FIG. 5 is a right view thereof; FIG. 6 is a top view thereof; and, FIG. 7 is a bottom view thereof.

The broken lines and areas within them depict portions of the electrostatic precipitator air cleaner that form no part of the claimed design.

The oblique shading lines in the drawings are included to denote the transparent, translucent, highly polished, or reflective surface quality of surface planes of the humidifier.

**1 Claim, 6 Drawing Sheets**



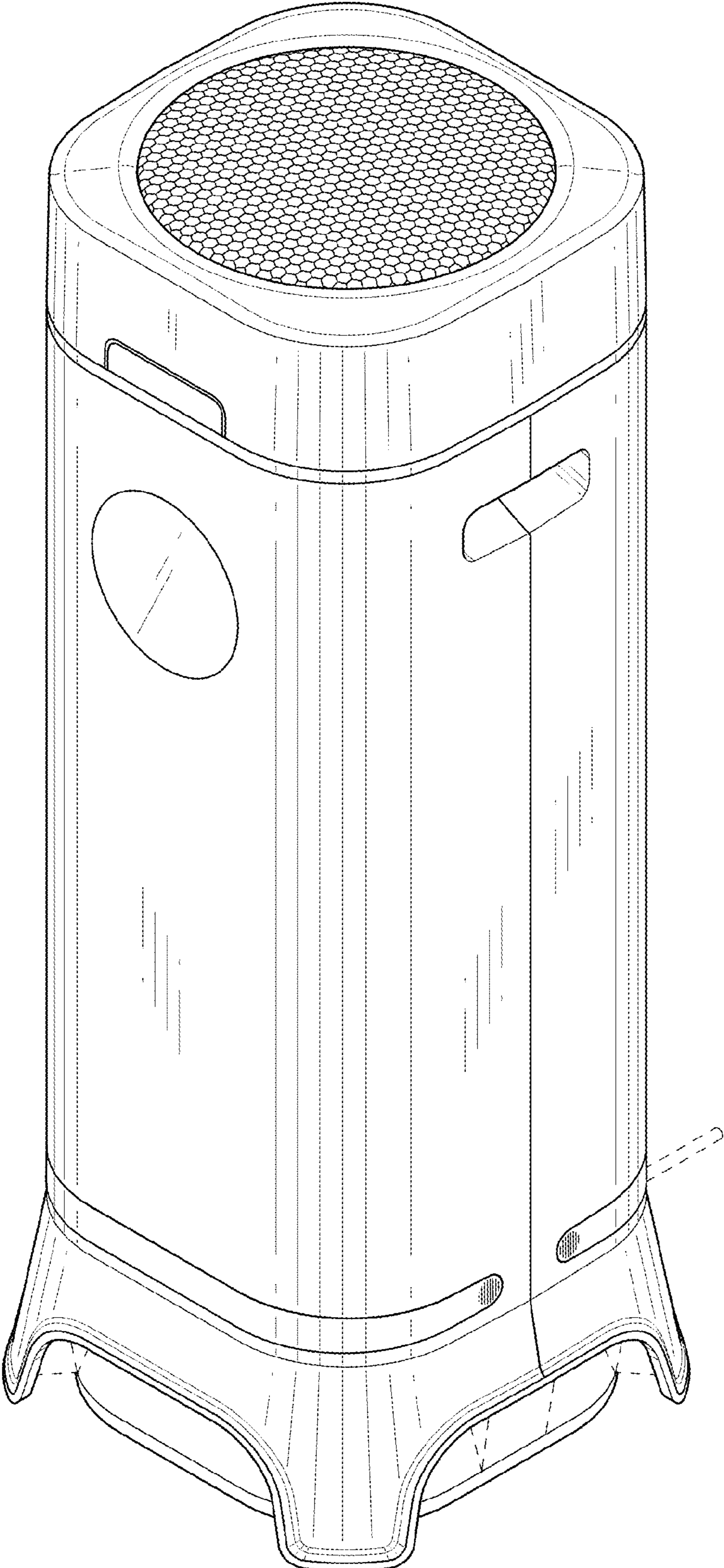


FIG.1

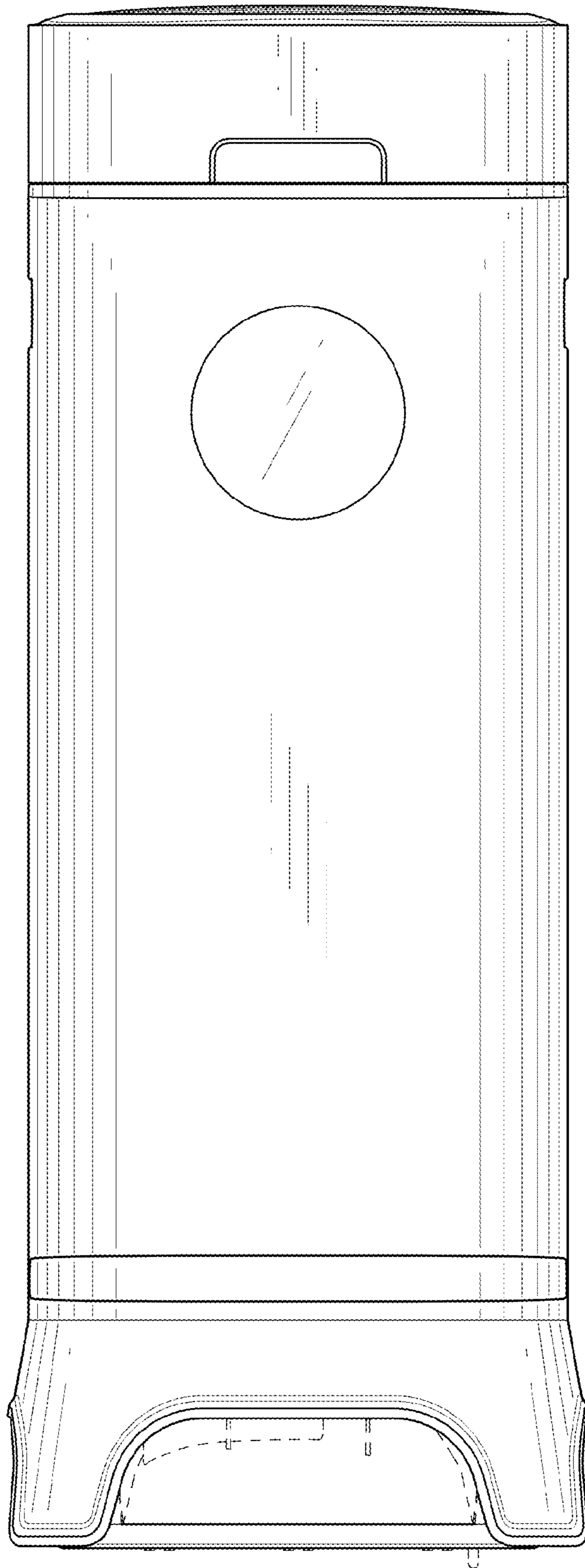


FIG.2

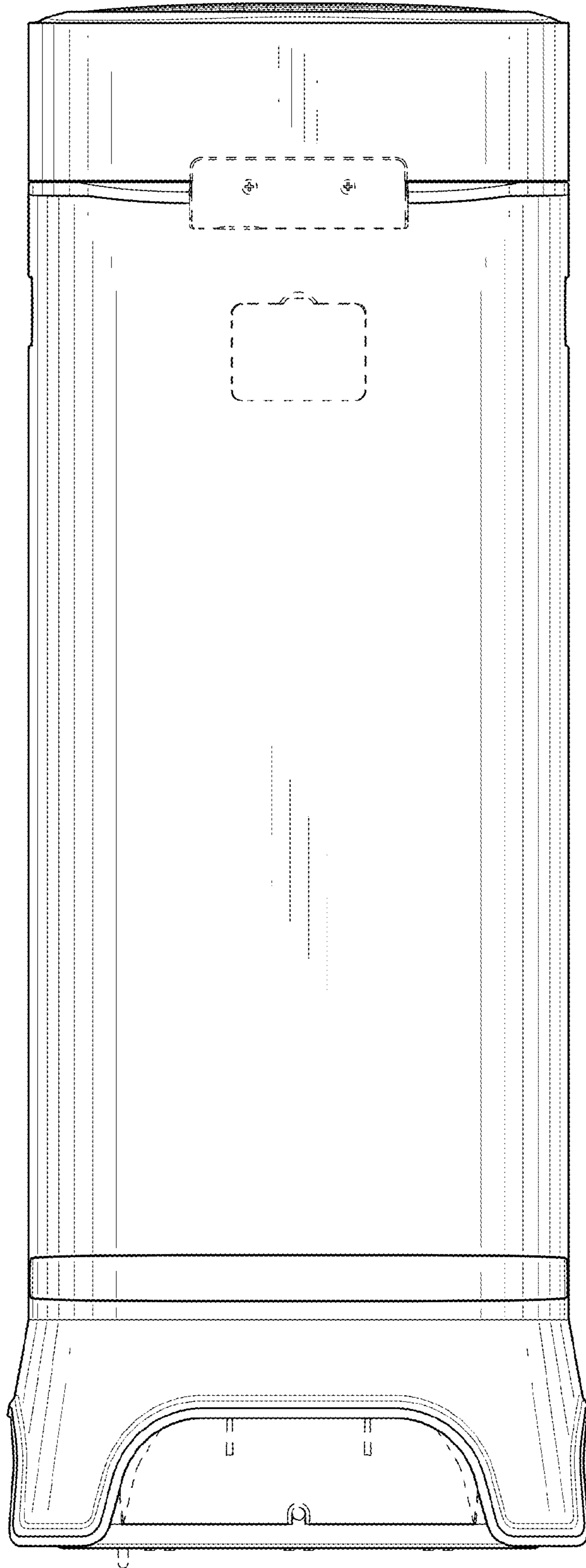


FIG.3

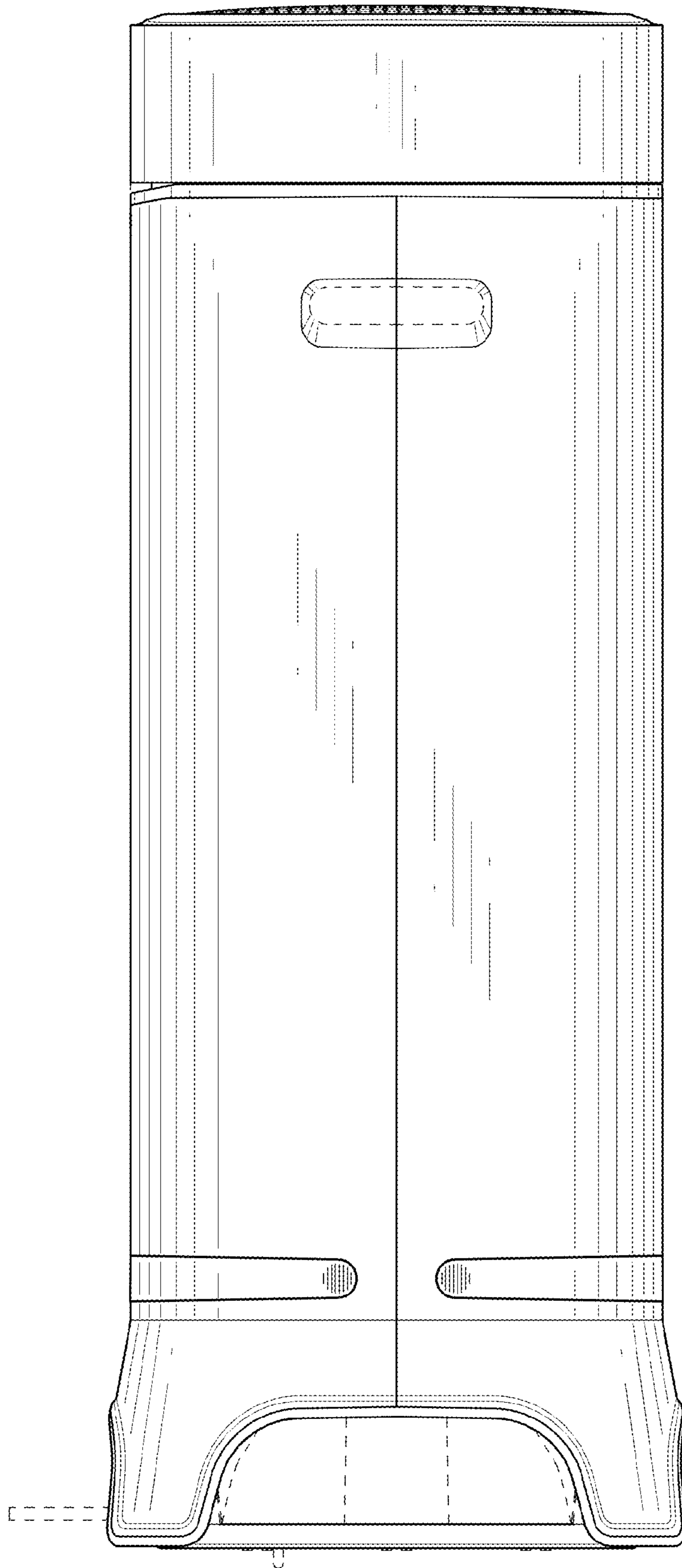


FIG.4

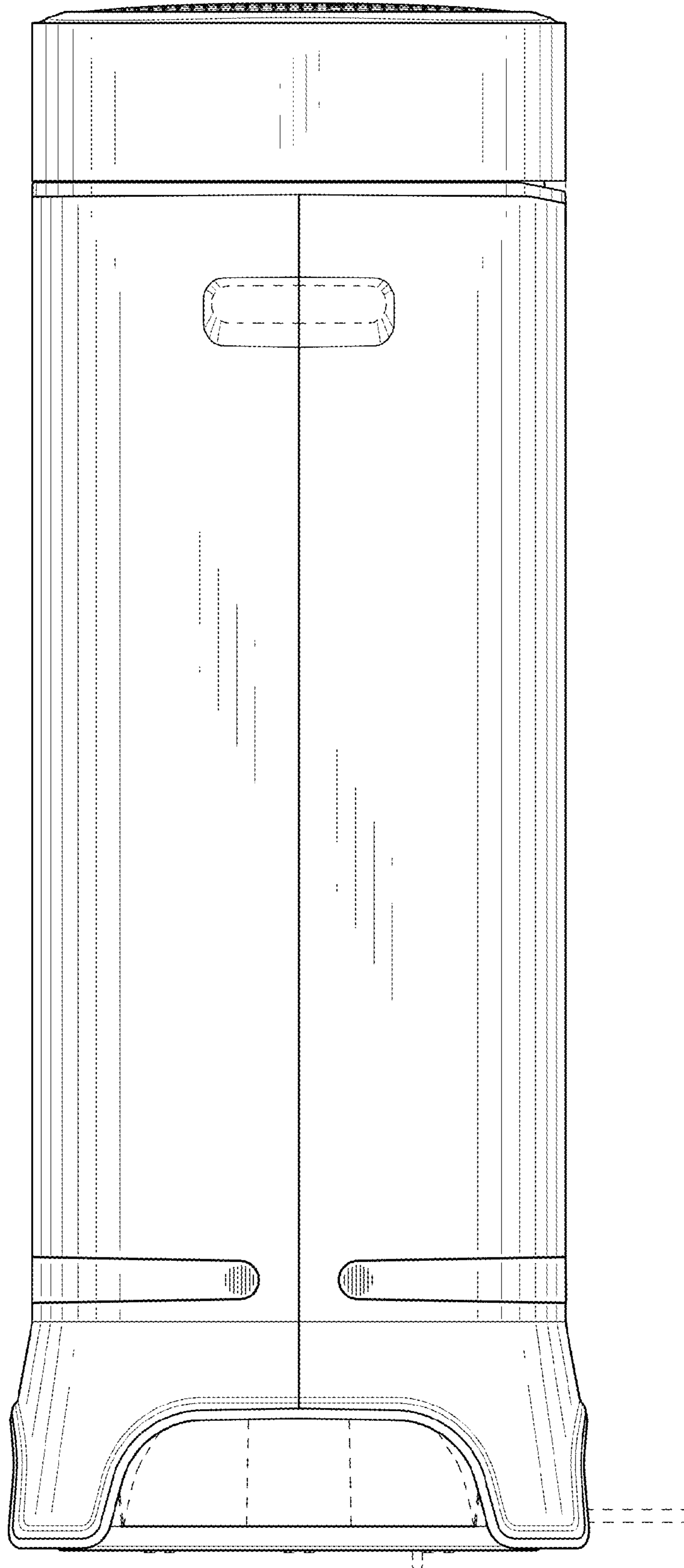


FIG.5

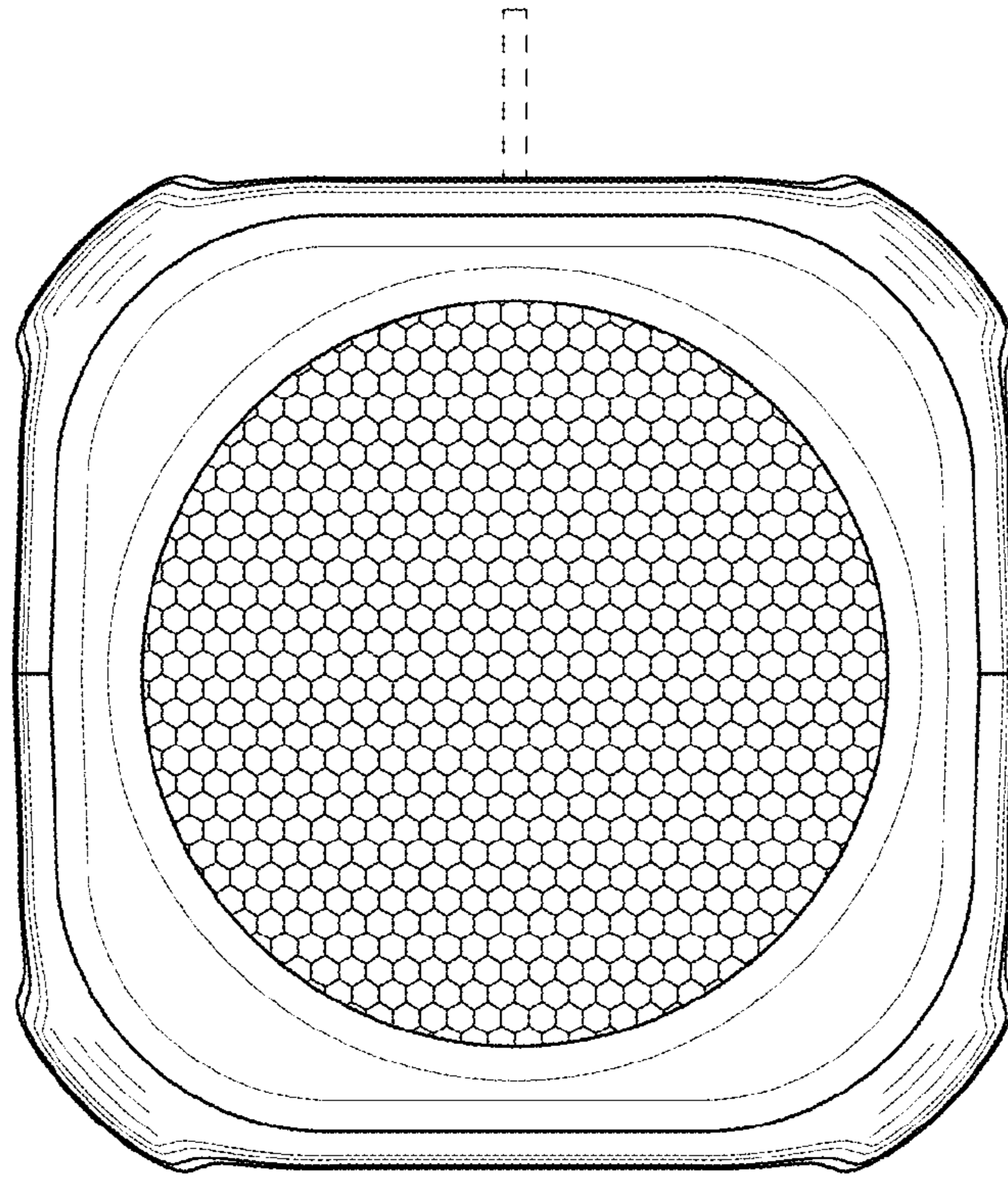


FIG. 6

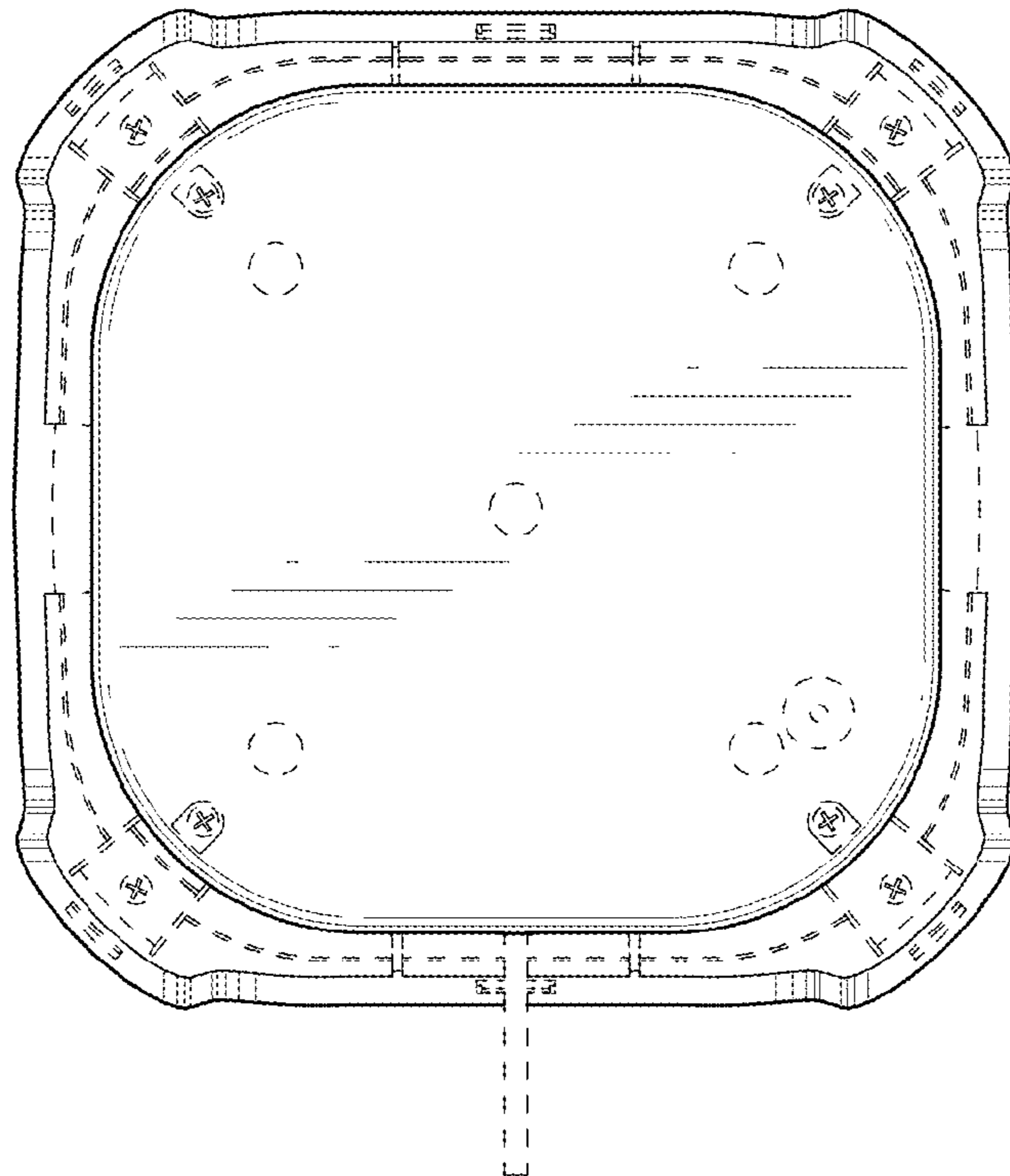


FIG. 7