



US00D952808S

(12) **United States Design Patent** (10) **Patent No.:** **US D952,808 S**  
**Grybush et al.** (45) **Date of Patent:** **\*\* May 24, 2022**

(54) **SINK**

(71) Applicant: **Kohler Co.**, Kohler, WI (US)  
(72) Inventors: **Evan M. Grybush**, Belgium, WI (US);  
**Erin E. Lilly**, Sheboygan, WI (US)  
(73) Assignee: **KOHLER CO.**, Kohler, WI (US)  
(\*\*) Term: **15 Years**

(21) Appl. No.: **29/721,992**  
(22) Filed: **Jan. 24, 2020**  
(51) **LOC (13) Cl.** ..... **23-02**  
(52) **U.S. Cl.**  
USPC ..... **D23/308**  
(58) **Field of Classification Search**  
USPC ..... D23/284, 286-287, 290, 292, 293.1, 308  
CPC ..... A47K 1/04; A47B 77/06  
See application file for complete search history.

(56) **References Cited**  
U.S. PATENT DOCUMENTS

208,094	A	9/1878	Higgins
526,390	A	9/1894	Glauber
594,962	A	12/1897	McManus
792,498	A	6/1905	Carr
832,309	A	10/1906	Frey
915,057	A	3/1909	Monahan
948,954	A	2/1910	Cody
958,857	A	5/1910	Dennis
981,448	A	1/1911	Matthews
1,006,994	A	10/1911	Barnes
1,225,308	A	5/1917	Born
1,408,812	A	3/1922	Leighton

(Continued)

FOREIGN PATENT DOCUMENTS

CN	1229626	A	9/1999
CN	1757837	A	4/2006

(Continued)

OTHER PUBLICATIONS

“Blanco One™ Super Single Bowl,” retrieved from [https://www.bianco.com/en\\_us/en\\_us/sinks/product\\_catalog/sink.html?sid=BLANCO ONE Super Single Bowl&filter=true](https://www.bianco.com/en_us/en_us/sinks/product_catalog/sink.html?sid=BLANCO_ONE_Super_Single_Bowl&filter=true), 3 pages (no date).  
(Continued)

*Primary Examiner* — Robert A Delehanty  
(74) *Attorney, Agent, or Firm* — Foley & Lardner LLP

(57) **CLAIM**

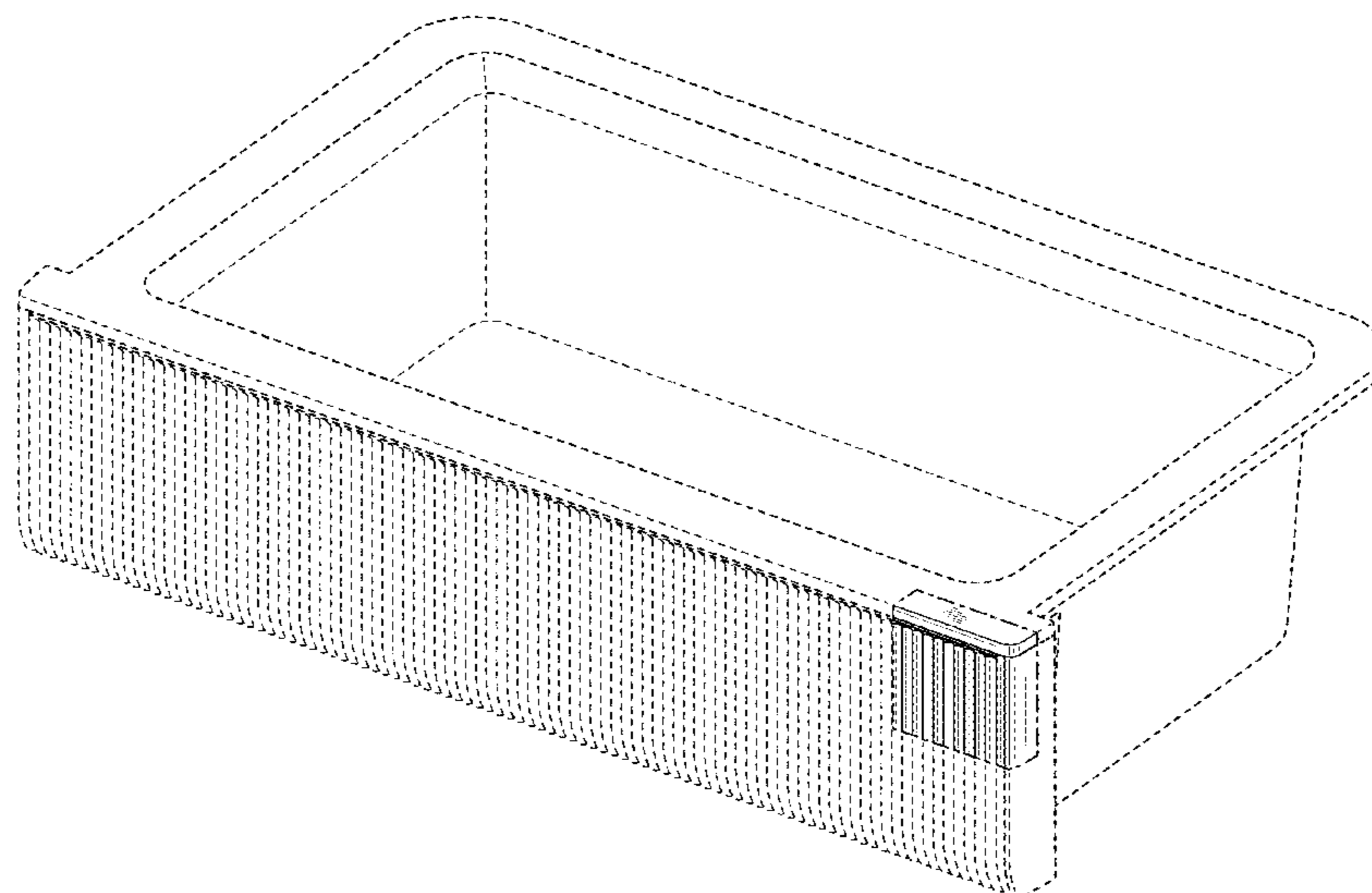
We claim the ornamental design for a sink, as shown and described.

**DESCRIPTION**

FIG. 1 is a perspective view of the claimed design; FIG. 2 is a front view of the claimed design shown in FIG. 1; FIG. 3 is a rear view of the claimed design shown in FIG. 2; FIG. 4 is a top view of the claimed design shown in FIG. 3; FIG. 5 is a bottom view of the claimed design shown in FIG. 4; FIG. 6 is a side view of the claimed design shown in FIG. 5; and, FIG. 7 is another side view of the claimed design shown in FIG. 6.

The ornamental design that is claimed is shown in the drawings as solid lines and surfaces having surface shading. The broken lines in the drawings are for illustrative purposes only and form no part of the claimed design. For example, broken lines formed by equal length dashes show unclaimed portions of the design. Broken lines formed of unequal length dashes (i.e., dash-dot) show boundaries between either claimed and unclaimed portions of the design or between unclaimed and unclaimed portions of the design.

**1 Claim, 5 Drawing Sheets**



(56)

References Cited

U.S. PATENT DOCUMENTS

1,576,607 A	3/1926	Hasskarl	5,012,537 A	5/1991	Underwood	
1,579,374 A	4/1926	Leighton	5,181,285 A	1/1993	Kolada	
1,587,693 A	6/1926	Beland	5,199,119 A	4/1993	Weber	
1,618,032 A	2/1927	Frederic	5,217,123 A	6/1993	Riley et al.	
1,880,733 A	10/1932	Bolhuis	5,232,189 A	8/1993	Koch	
1,986,935 A	1/1935	Max	5,239,711 A	8/1993	Tafur	
2,005,459 A	6/1935	Finn	5,253,752 A	10/1993	Jang	
2,045,965 A	6/1936	Rosen	D341,049 S	11/1993	Hugh	
2,065,347 A	12/1936	Schulze	5,275,363 A	1/1994	Dennis	
2,098,374 A	11/1937	Bullock	5,279,007 A	1/1994	Kolada	
2,131,111 A	9/1938	Marsh	5,367,278 A	11/1994	Yoshikawa	
2,141,347 A	12/1938	Davis	5,368,268 A	11/1994	Jodwischat	
2,194,343 A	3/1940	Wexler	D353,652 S	12/1994	Dannenberg	
2,308,123 A	1/1943	Charles	5,377,941 A	1/1995	Har et al.	
2,309,851 A	2/1943	Kuhne	D358,457 S	5/1995	Dannenberg	
2,341,093 A	2/1944	Haberstump	5,417,397 A	5/1995	Harnett	
2,367,161 A	1/1945	Wild	D365,235 S	12/1995	Jodwischat	
2,441,752 A	5/1948	Campbell	5,485,859 A	1/1996	Johnson et al.	
2,457,918 A	1/1949	Pierce	5,485,927 A	1/1996	Hubbard	
2,473,862 A	6/1949	Clawsey	D375,219 S	11/1996	Selent	
2,508,808 A	5/1950	Warman	5,590,804 A	1/1997	Crum et al.	
2,510,238 A	6/1950	Mau	5,642,871 A	7/1997	Repert et al.	
2,534,793 A	12/1950	Olson	5,715,547 A	2/1998	Becker et al.	
2,597,925 A	5/1952	Urey	5,864,898 A	2/1999	Knapp et al.	
2,668,300 A	2/1954	Grill	5,865,325 A	2/1999	Comstock	
2,691,237 A	10/1954	Heim	5,940,906 A	8/1999	Halloran	
2,818,579 A	1/1958	Louis	5,947,439 A	9/1999	Florey	
2,825,177 A	3/1958	Nordlof	D421,490 S	3/2000	Talerico	
2,853,750 A	9/1958	Davies et al.	6,062,397 A	5/2000	Licari	
D184,799 S	4/1959	Clemens	6,092,772 A	7/2000	Garcia et al.	
D188,090 S	6/1960	Rasmussen	6,154,895 A *	12/2000	Pisklak ..... E03C 1/18 4/584	
2,977,082 A	3/1961	Harris	6,212,707 B1	4/2001	Thompson et al.	
2,988,755 A	6/1961	Roland	6,216,992 B1	4/2001	Bisonaya et al.	
3,023,991 A	3/1962	Fisher	6,223,362 B1	5/2001	Liang	
3,051,160 A	8/1962	Nielsen	D444,216 S	6/2001	Katz et al.	
3,070,812 A	1/1963	Skrmetta	D444,548 S	7/2001	Katz et al.	
3,142,295 A	7/1964	Blee	D444,549 S	7/2001	Katz et al.	
3,169,743 A	2/1965	Page, Jr.	6,276,675 B1	8/2001	Shamoon	
3,204,601 A	9/1965	Staver	D451,585 S	12/2001	Svendsen et al.	
3,289,218 A	12/1966	Mehilos	6,330,948 B1	12/2001	Leto	
3,289,990 A	12/1966	Grantham	6,338,171 B1	1/2002	Dandridge	
3,472,391 A	10/1969	Bolognesi	6,341,704 B1	1/2002	Michel, Jr.	
3,502,384 A	3/1970	Gipson	6,341,770 B1	1/2002	Landherr	
D217,164 S	4/1970	Jarema	D458,493 S	6/2002	Cascio	
3,508,282 A	4/1970	Phillips, Jr.	D458,494 S	6/2002	Cascio	
D218,330 S	8/1970	Hagopian	6,446,280 B1	9/2002	Moore, Jr.	
3,552,705 A	1/1971	Caster	D473,294 S	4/2003	Genslak et al.	
D222,087 S	9/1971	Hagopian	6,543,071 B1	4/2003	Lenner	
3,625,162 A	12/1971	Crew	6,557,956 B2	5/2003	Hightower	
D223,501 S	4/1972	Hamburg	6,564,398 B1	5/2003	Trott	
3,680,152 A	8/1972	Farrell	D477,949 S	8/2003	Cascio et al.	
3,742,965 A	7/1973	Hudziak	D477,950 S	8/2003	Cascio et al.	
3,813,706 A	6/1974	Williams	D478,444 S	8/2003	Cascio et al.	
3,827,020 A	7/1974	Okamoto	6,619,604 B1	9/2003	Stillman	
4,033,461 A	7/1977	Nevai	6,658,677 B2	12/2003	Paul	
4,041,964 A	8/1977	Shamoon	D484,956 S	1/2004	Rachiele	
4,082,391 A	4/1978	Turner	D492,983 S	7/2004	Rachiele	
D249,207 S	9/1978	Emmer	D494,257 S	8/2004	Moran et al.	
4,114,967 A	9/1978	Weekly	D494,665 S	8/2004	Herbeau	
D253,147 S	10/1979	Heckler	6,793,190 B2	9/2004	White	
D253,148 S	10/1979	Heckler	6,793,193 B2	9/2004	De Groote	
D253,149 S	10/1979	Heckler	6,808,147 B2	10/2004	Brannen et al.	
4,207,975 A	6/1980	Arzillo	D498,291 S	11/2004	Bayer	
4,305,166 A	12/1981	Rose	D499,468 S	12/2004	Trepanier	
4,351,073 A	9/1982	Elsas	D499,799 S	12/2004	Trepanier	
4,357,957 A	11/1982	Bisonaya et al.	D499,800 S	12/2004	Trepanier	
4,370,762 A	2/1983	Heil	D501,041 S	1/2005	Moran et al.	
4,387,738 A	6/1983	Bisonaya et al.	D501,541 S	2/2005	Gordon	
4,456,021 A	6/1984	Leavens	6,857,616 B1	2/2005	Gasperi et al.	
4,458,705 A	7/1984	Cawood	6,910,604 B2	6/2005	Gugliotti et al.	
D277,820 S	3/1985	Maayeh	D507,041 S	7/2005	Douglass et al.	
4,531,246 A	7/1985	Earley	D508,984 S	8/2005	Gordon	
4,698,861 A	10/1987	Bogusz	6,929,232 B1	8/2005	Gasperi et al.	
4,720,879 A	1/1988	Rabban	6,991,200 B2	1/2006	Stillman	
4,884,714 A	12/1989	Bechtel	D518,560 S	4/2006	Arkay-Leliever	
			D520,611 S	5/2006	Wozniczka et al.	
			D520,612 S	5/2006	Wozniczka et al.	
			7,039,963 B2	5/2006	Loberger et al.	



(56)

References Cited

U.S. PATENT DOCUMENTS

D525,689 S	7/2006	Wozniczka et al.	D663,395 S	7/2012	Miller et al.
7,086,099 B2	8/2006	Rocci	8,214,939 B2	7/2012	Spurlock
D527,808 S	9/2006	Wozniczka et al.	8,296,876 B2	10/2012	Yang et al.
D529,148 S	9/2006	Douglass	D670,364 S	11/2012	Miller et al.
D529,999 S	10/2006	Lonneman et al.	D670,366 S	11/2012	Booth et al.
D530,001 S	10/2006	Lonneman et al.	D670,367 S	11/2012	Miller et al.
D530,403 S	10/2006	Lonneman et al.	D671,197 S	11/2012	Miller et al.
D530,404 S	10/2006	Lonneman et al.	D675,300 S	1/2013	Miller et al.
D530,405 S	10/2006	Douglass et al.	8,393,022 B2	3/2013	Dachowski
D530,797 S	10/2006	Lonneman	D682,998 S	5/2013	Eilmus
D537,149 S	2/2007	Douglass et al.	D685,456 S	7/2013	Eckhaus
7,178,886 B2	2/2007	Hightower	D685,457 S	7/2013	Eckhaus
D537,997 S	3/2007	Plikuhn	8,484,916 B2	7/2013	Farag
D538,497 S	3/2007	Plikuhn	8,511,762 B2	8/2013	Stegerwald
D539,396 S	3/2007	Plikuhn et al.	D698,905 S	2/2014	Ziemann et al.
D544,074 S	6/2007	Douglass et al.	D699,012 S	2/2014	Ziemann et al.
D545,408 S	6/2007	Plikuhn	D699,013 S	2/2014	Ziemann et al.
D545,409 S	6/2007	Plikuhn	D699,330 S	2/2014	Ziemann et al.
D546,426 S	7/2007	Plikuhn	D700,301 S	2/2014	Rachiele
D546,929 S	7/2007	Schneider et al.	8,684,192 B1	4/2014	Margolin
D547,838 S	7/2007	Plikuhn	8,801,926 B2	8/2014	Housley
7,246,387 B2	7/2007	Erickson et al.	8,844,070 B2	9/2014	Booth et al.
D548,311 S	8/2007	Mahon	8,870,306 B2	10/2014	Simon
D551,742 S	9/2007	Plikuhn	8,925,124 B2	1/2015	Littlehorn, Sr.
D552,222 S	10/2007	Tortorello	D722,145 S *	2/2015	Morales ..... D23/308
7,278,175 B2	10/2007	Torres	D725,757 S	3/2015	Morales et al.
D556,297 S *	11/2007	Baade ..... D23/286	9,032,567 B1	5/2015	Galgano
D556,848 S	12/2007	Ruggiero et al.	9,066,631 B2	6/2015	Didehvar et al.
D556,868 S	12/2007	Tortorello	9,073,096 B2	7/2015	Ehman
D558,311 S	12/2007	Adams	9,085,884 B2	7/2015	Lopchinsky
7,305,723 B2	12/2007	Fulks	9,115,484 B2	8/2015	Fulford et al.
D559,366 S	1/2008	Chong	9,173,487 B2	11/2015	Booth et al.
7,377,661 B2	5/2008	Douglass	9,226,621 B1	1/2016	Jones et al.
D573,701 S	7/2008	Rachiele	9,228,331 B1	1/2016	Weinstein
7,424,949 B2	9/2008	Kumar	9,238,907 B2	1/2016	Murray
D585,126 S	1/2009	Eilmus et al.	9,260,845 B1	2/2016	Siegel
7,481,473 B1	1/2009	Warning	9,291,301 B2	3/2016	Brinkmann
D587,789 S	3/2009	Drake	9,380,917 B2	7/2016	Eilmus et al.
D587,790 S	3/2009	Tortorello et al.	9,414,717 B2	8/2016	Tollasepp et al.
D588,677 S	3/2009	Drake	9,416,538 B2	8/2016	Torres et al.
D588,678 S	3/2009	Chong et al.	9,427,135 B2	8/2016	Audet et al.
D588,679 S	3/2009	Cheng	9,567,735 B2	2/2017	Siegel
D588,680 S	3/2009	Cheng	9,574,333 B2	2/2017	O'Brien et al.
D588,685 S	3/2009	Chong	9,622,621 B2	4/2017	Brinkmann
D589,222 S	3/2009	Gicela et al.	9,708,064 B2	7/2017	Vandewall et al.
7,503,534 B2	3/2009	Pollack	9,750,375 B2	9/2017	Byun
7,568,239 B2	8/2009	Spruner Von Mertz et al.	D799,648 S	10/2017	Chong
7,578,399 B1	8/2009	Mulaw	D799,649 S	10/2017	Chong
D600,334 S	9/2009	Chong	9,775,470 B2	10/2017	Eilmus et al.
7,594,706 B2	9/2009	Styka et al.	9,783,967 B2	10/2017	Jain et al.
D603,026 S	10/2009	Deboer et al.	9,790,671 B2	10/2017	Jones et al.
D603,027 S	10/2009	Deboer et al.	9,808,123 B1	11/2017	Brinkmann
D603,029 S	10/2009	Bucher	D804,620 S	12/2017	Palazzolo et al.
D603,334 S	11/2009	Suzuki	D816,197 S	4/2018	Chong et al.
D603,486 S	11/2009	Mayer et al.	9,930,998 B2	4/2018	Palazzolo et al.
7,699,277 B2	4/2010	Bagnall	D821,670 S	6/2018	Lynch
7,721,362 B2	5/2010	Martin et al.	D824,628 S	7/2018	Lynch
7,726,521 B2	6/2010	Bassett et al.	10,092,097 B2	10/2018	Booth et al.
7,731,846 B1	6/2010	Jones	10,151,085 B2	12/2018	Chong et al.
7,735,661 B1	6/2010	Sumner et al.	D845,451 S	4/2019	Swilley
D624,635 S	9/2010	Eckhaus	D861,837 S	10/2019	Chong et al.
D627,449 S	11/2010	Eckhaus	D865,138 S	10/2019	Lyons
7,841,473 B2	11/2010	Huang et al.	10,501,919 B2	12/2019	Chong et al.
7,854,030 B2	12/2010	Lee et al.	D872,243 S *	1/2020	Wegner ..... D23/284
D636,138 S	4/2011	Talerico	D886,255 S *	6/2020	Wegner ..... D23/308
8,070,148 B2	12/2011	Nishida	D911,497 S *	2/2021	Levi ..... D23/284
D651,699 S	1/2012	Booth et al.	2004/0016052 A1	1/2004	Domenig
8,088,468 B2	1/2012	Maggio	2005/0044625 A1	3/2005	Kommers
8,096,678 B2 *	1/2012	Jones, III ..... E03C 1/186 362/234	2005/0155147 A1	7/2005	Trepanier et al.
D655,798 S	3/2012	Miller et al.	2005/0223486 A1	10/2005	Jumalon
D657,028 S	4/2012	Eilmus	2007/0157378 A1	7/2007	Kendall et al.
8,185,980 B2	5/2012	Adams et al.	2009/0094741 A1	4/2009	Valadez et al.
D662,574 S	6/2012	Booth et al.	2009/0139023 A1	6/2009	Talerico
D663,389 S *	7/2012	Miller ..... D23/293.1	2009/0172876 A1	7/2009	Hendrickson et al.
			2009/0314730 A1	12/2009	Mansikkamaa
			2010/0072147 A1	3/2010	Reenberg et al.
			2010/0116955 A1	5/2010	Hayes et al.
			2010/0148896 A1	6/2010	Hugo
			2010/0213145 A1	8/2010	Swank



(56)

References Cited

U.S. PATENT DOCUMENTS

2010/0254125	A1	10/2010	Jones et al.
2010/0275367	A1	11/2010	Bager et al.
2010/0275368	A1	11/2010	Miller et al.
2010/0275369	A1	11/2010	Eilmus et al.
2011/0056016	A1	3/2011	Mun
2011/0101199	A1	5/2011	Andrade
2011/0163510	A1	7/2011	Wedi
2011/0219535	A1	9/2011	Bouroullec et al.
2011/0303626	A1	12/2011	Roenne
2012/0169192	A1	7/2012	Simon
2012/0222211	A1	9/2012	Booth et al.
2012/0240330	A1	9/2012	Fulford et al.
2013/0337220	A1	12/2013	Janke
2014/0041113	A1	2/2014	Mobbs
2014/0245533	A1	9/2014	Lee et al.
2014/0259381	A1	9/2014	Fogerlie
2014/0346102	A1	11/2014	Housley
2014/0366263	A1	12/2014	Thompson et al.
2015/0122961	A1	5/2015	Batiste et al.
2015/0128339	A1	5/2015	Warner
2015/0230667	A1	8/2015	Palazzolo et al.
2015/0284937	A1	10/2015	Baier et al.
2016/0045027	A1	2/2016	Alkoby
2016/0215484	A1	7/2016	Williams
2016/0235201	A1	8/2016	Soot
2016/0256804	A1	9/2016	Medeiros
2017/0027387	A1	2/2017	Lakshmi Narasimhan
2017/0130433	A1	5/2017	Franco
2017/0172379	A1	6/2017	Keller et al.
2017/0245693	A1	8/2017	Palazzolo et al.
2017/0295960	A1	10/2017	Allen
2018/0030702	A1	2/2018	Childs et al.
2018/0030703	A1	2/2018	Cagliari et al.
2018/0030704	A1	2/2018	Bomatter et al.
2018/0030705	A1	2/2018	Bomatter et al.
2018/0125305	A1	5/2018	Richards
2018/0187400	A1	7/2018	Chong et al.
2018/0187401	A1	7/2018	Chong et al.
2018/0187403	A1	7/2018	Chong et al.
2020/0063412	A1	2/2020	Miller et al.
2020/0352331	A1	11/2020	Graf

FOREIGN PATENT DOCUMENTS

CN	1938495	A	3/2007
CN	102105642	A	6/2011
CN	102791919	A	11/2012
CN	104912281	A	9/2015
CN	105496036	A	4/2016
CN	105908812	A	8/2016
CN	207285669	U	5/2018
DE	26 58 193	B1	7/1978
DE	39 28 806	A1	11/1990
EP	0 968 078		1/2000
EP	1 442 691	A1	8/2004
EP	2 168 750	A1	3/2010
FR	2887416	B1	11/2008
GB	2 214 127	A	8/1989
JP	S5555842	A	4/1980
JP	937863	A	2/1997
JP	H937863	A	2/1997
JP	H119487	A	1/1999
JP	H119488	A	1/1999
JP	H11-346951	A	12/1999
JP	5088124	B2	12/2012
WO	WO-2012/069682	A1	5/2012
WO	WO-2012/134118	A2	10/2012
WO	WO-2016/062519	A1	4/2016

OTHER PUBLICATIONS

“ELXUFP3620: Elkay Quartz Luxe 35-7/8”x20-15/16”x9” Single Bowl Farmhouse Sink with Perfect Drain,” retrieved from <https://www.elkay.com/products/elxufp3620.html>, 2 pages (no date).

Belle Foret. “Apron Front Kitchen Sink”. Model No. BFF1KIT. BelleForet.com online catalog. All Contents Copyright, Your Other Warehouse. (1 page).

Blanco America, “Blanco’s New ONE Stainless Steel Sinks,” retrieved from <https://youtu.be/ITta7oPFXgA>, 2 pages (2014).

Instawares.com. GSW Stainless Steel Corner Drain Sink Bowl—18.times.24in. Instawares.com online catalog. (1 page).

Kallista. “For Loft by Michael S. Smith Fireclay Kitchen Sink with Drainboard.” Model No. L20300. Kallista.com online catalog. Copyright 2011 Kohler Co. (2 pages).

Kallista. “For Loft by Michael S. Smith Fireclay Kitchen Sink.” Model No. L20301. Kallista.com online catalog. Copyright 2011 Kohler Co. (2 pages).

Kallista. “For Town by Michael S. Smith Fireclay Kitchen Sink.” Model No. L20303. Kallista.com online catalog. Copyright 2011 Kohler Co. (2 pages).

Kohler Co. “Dickinson Apron-Front, Tile-in Kitchen Sink”. Model No. K-6546-3. Kohler Co. online catalog. Copyright 2011 Kohler Co. (3 pages).

Kohler Co. “Dickinson Apron-Front, Tile-in Kitchen Sink”. Model No. K-6546-4. Kohler Co. online catalog. Copyright 2011 Kohler Co. (3 pages).

Kohler Co. “Dickinson Apron-Front, Tile-in Kitchen Sink”. Model No. K-6546-4U. Kohler Co. online catalog. Copyright 2011 Kohler Co. (3 pages).

Kohler Co. “Hawthorne Apron-Front, Tile-in Kitchen Sink”. Model No. K-6534-3. Kohler Co. online catalog. Copyright 2011 Kohler Co. (3 pages).

Kohler Co. “Hawthorne Apron-Front, Tile-in Kitchen Sink”. Model No. K-6534-4. Kohler Co. online catalog. Copyright 2011 Kohler Co. (3 pages).

Kohler Co. “Hawthorne Apron-Front, Tile-in Kitchen Sink”. Model No. K-6534-4U. Kohler Co. online catalog. Copyright 2011 Kohler Co. (3 pages).

Kohler Fixtures, Apron Front Sinks, pp. 352-355 (2014).

Lyons. “Premium 34 .times. 23 Apron Sink”. Model No. KSxxAP3. 4. Lyons brochure. (3 pages).

Rachiele; “Patented copper apron front sink with channel;” <http://www.rachiele.com/copper.sub.--apron.sub.--sinks-with-patent.asp>; retrieval date: Nov. 30, 2011; 3 pages.

Rohl. Apron Front Sink. (4 pages).

Shaws Original. Apron Sink. (1 page).

Songbath.com. Apron Front Kitchen Sink. Songbath.com online catalog. (1 page).

U.S. Notice of Allowance on U.S. Appl. No. 29/386,884 dated Oct. 25, 2011 (5 pages).

U.S. Notice of Allowance on U.S. Appl. No. 29/386,020 dated Aug. 25, 2011 (5 pages).

U.S. Notice of Allowance on U.S. Appl. No. 29/409,937 dated Feb. 23, 2012 (6 pages).

U.S. Notice of Allowance on U.S. Appl. No. 29/412,242 dated Mar. 6, 2012 (6 pages).

U.S. Notice of Allowance on U.S. Appl. No. 29/424,446 dated Jul. 27, 2012 (6 pages).

U.S. Notice of Allowance on U.S. Appl. No. 29/425,473 dated Jul. 27, 2012 (6 pages).

U.S. Notice of Allowance on U.S. Appl. No. 29/425,477 dated Aug. 8, 2012 (6 pages).

U.S. Notice of Allowance on U.S. Appl. No. 29/425,479 dated Jul. 30, 2012 (6 pages).

U.S. Notice of Allowance on U.S. Appl. No. 29/428,614 dated Oct. 3, 2012 (6 pages).

U.S. Notice of Allowance on U.S. Appl. No. 29/476,168 dated Sep. 24, 2014 (5 pages).

U.S. Notice of Allowance on U.S. Appl. No. 29/503,843 dated Nov. 12, 2014 (6 pages).

U.S. Notice of Allowance on U.S. Appl. No. 29/415,199 dated Apr. 26, 2012 (6 pages).

U.S. Office Action on U.S. Appl. No. 29/386,020 dated Jun. 30, 2011 (7 pages).

U.S. Office Action on U.S. Appl. No. 29/386,884 dated Sep. 22, 2011 (8 pages).



(56)

**References Cited**

## OTHER PUBLICATIONS

U.S. Office Action on U.S. Appl. No. 29/476,168 dated Jul. 23, 2014 (6 pages).

Bellucci 30" Flat Apron Front Granite Quartz Composite Single Bowl Kitchen Sink in Brown, <https://www.kraususa.com/kraus-kgf1-30brown-30-flat-apron-front-granite-quartz-composite-single-bowl-kitchen-sink-in-brown.html>, accessed Sep. 14, 2020, pp. 1-4.

Bellucci 30" Flat Apron Front Granite Quartz Composite Single Bowl Kitchen Sink in White, <https://www.kraususa.com/kraus-kgf1-30white-30-flat-apron-front-granite-quartz-composite-single-bowl-kitchen-sink-in-white.html>, accessed Sep. 14, 2020, pp. 1-4.

Bellucci 30" Flat Apron Granite Quartz Composite Single Bowl Kitchen Sink in Black, <https://www.kraususa.com/kraus-kgf1-30black-30-flat-apron-front-granite-quartz-composite-single-bowl-kitchen-sink-in-black.html>, accessed Sep. 14, 2020, pp. 1-4.

Bellucci 33" Flat Apron Front Granite Quartz Composite Single Bowl Kitchen Sink in Black, <https://www.kraususa.com/kraus-kgf1-33black-33-flat-apron-front-granite-quartz-composite-single-bowl-kitchen-sink-in-black.html>, accessed Sep. 14, 2020, pp. 1-5.

Bellucci 33" Flat Apron Front Granite Quartz Composite Single Bowl Kitchen Sink in Brown, <https://www.kraususa.com/kraus-kgf1-33brown-33-flat-apron-front-granite-quartz-composite-single-bowl-kitchen-sink-in-brown.html>, accessed Sep. 14, 2020, pp. 1-4.

Bellucci 33" Flat Apron Front Granite Quartz Composite Single Bowl Kitchen Sink in White, Model KGF1-33, <https://www.kraususa.com/kraus-kgf1-33white-33-flat-apron-front-granite-quartz-composite-single-bowl-kitchen-sink-in-white.html>, accessed Sep. 14, 2020, pp. 1-5.

Bellucci by Kraus—Flat Apron-Front Farmhouse Kitchen Sink Video Snippets, <https://www.youtube.com/watch?v=bzwDrUpAPUg>, accessed Sep. 14, 2020, pp. 1-7.

Bellucci Workstation 33" Quartz Composite Single Bowl Farmhouse Kitchen Sink in Metallic Brown, <https://www.kraususa.com/kraus-kgf2-33mbr-workstation-33-quartz-composite-single-bowl-farmhouse-kitchen-sink-in-metallic-brown.html>, accessed Sep. 14, 2020, pp. 1-4.

Bellucci Workstation 33" Quartz Composite Single Bowl Farmhouse Kitchen Sink in Metallic Grey, <https://www.kraususa.com/kraus-kgf2-33mgr-workstation-33-quartz-composite-single-bowl-farmhouse-kitchen-sink-in-metallic-grey.html>, accessed Sep. 14, 2020, pp. 1-4.

Blanco America, "Blanco's New ONE Stainless Steel Sinks," retrieved from <https://youtu.be/ITta7oPFXgA>, pp. 1-19 (2014). <https://youtu.be/ITta7oPFXgA>; accessed Jan. 5, 2021.

Chinese Office Action on CN Appl. Ser. No. 201910763481.4 dated Jul. 30, 2020 (11 pages).

Chinese Second Office Action on CN Patent Application No. 201910763481.4 dated Mar. 11, 2021 (7 pages).

Elite Bath Chameleon Stainless, <http://elitebath.com/stainless.html>, accessed Apr. 19, 2021, pp. 1-2.

FIFTV Kitchen & Bath Fixtures from Kraus USA Video Snippets, <https://www.youtube.com/watch?v=48iJF4PKAqA>, accessed Sep. 14, 2020, pp. 1-16.

FIFTV Kitchen & Bath Fixtures from Kraus USA Video Snippets, <https://www.youtube.com/watch?v=48iJF4PKAqA>, accessed Sep. 14, 2020, pp. 1-16 <https://www.youtube.com/watch?v=48iJF4PKAqA>; accessed Jan. 5, 2021.

FIFTV Kitchen & Bath Fixtures from Kraus USA Video Snippets, <https://www.youtube.com/watch?v=48iJF4PKAqA>, accessed Sep. 14, 2020, pp. 1-2.

Final Office Action on U.S. Appl. No. 15/417,031 dated Oct. 16, 2017 (20 pages).

Foreign Action other than Search Report on CN 201910763481.4 dated Jul. 30, 2020 (11 pages).

Foreign Action other than Search Report on CN 201910763481.4 dated Sep. 16, 2019.

JPH0937863A Attaching Structure For Kitchen Panel Feb. 10, 1997 Matsushita Electric Works Ltd.

Kore Workstation 30" Apron Front 16 Gauge Stainless Steel Single Bowl Kitchen Sink, <https://www.kraususa.com/kraus-kwf410-30-workstation-30-apron-front-16-gauge-stainless-steel-single-bowl-kitchen-sink.html>, accessed Sep. 14, 2020, pp. 1-4.

Kraus Bellucci Sink Collection Video Snippets, [https://www.youtube.com/watch?v=O\\_MFn1JLOTg#action=share](https://www.youtube.com/watch?v=O_MFn1JLOTg#action=share), accessed Sep. 14, 2020, pp. 1-8.

Kraus Forteza KGF1-33 Farmhouse Apron Kitchen Sink, <https://www.wayfair.com/home-improvement/pdp/kraus-forteza-33-1-x-21-w-farmhouseapron-kitchen-sink-kus10133.html?piid=40371630>, accessed Sep. 14, 2020, pp. 1-9.

Kraus Installation Guide, "Bellucci Quartz Granite Composite Farmhouse Sink with CeramTek," KGF1-30/KGF1-33, [www.kraususa.com](http://www.kraususa.com), Dec. 3, 2018, pp. 1-15.

Kraus Installation Guide, "Bellucci Quartz Granite Composite Farmhouse Sink," KGF1-30 / KGF1-33, KGF2-30 / KGF2-33, KGF11-30 / KGF11-33, KGF12-30 / KGF12-33, [www.kraususa.com](http://www.kraususa.com), Feb. 19, 2019, pp. 1-15.

Kraus Installation Guide, "Bellucci Quartz Granite Composite Farmhouse Sink," KGF1-30/KGF1-33, KGF2-30/KGF2-33, KGF11-30/KGF11-33, KGF12-30/KGF12-33, [www.kraususa.com](http://www.kraususa.com), Feb. 19, 2019, 1-15.

Kraus Specification Sheet, "KGF1-33 33 Inch Single Bowl Granite Farmhouse Apron Kitchen Sink," [www.kraususa.com](http://www.kraususa.com), Jun. 10, 2019, 1 page.

Linkasink Farm House Kitchen Sink with Inset Apron Front, C071-30 SS, [https://static1.squarespace.com/static/5706844ee707eb7087c2faa7/t/590781fc1e5b6c7f60ac7e2f/1493664254854/c071-30\\_ss\\_spec\\_sheet.pdf](https://static1.squarespace.com/static/5706844ee707eb7087c2faa7/t/590781fc1e5b6c7f60ac7e2f/1493664254854/c071-30_ss_spec_sheet.pdf), accessed Dec. 15, 2020, pp. 1-3.

Non-Final Office Action on U.S. Appl. No. 16/545,084 dated Mar. 22, 2021 (12 pages).

Notice of Allowance on U.S. Appl. No. 15/417,031 dated Aug. 16, 2018 (7 pages).

Screen capture from Dawn USA showing HTML coding with product installation manual date. Retrieved from <http://dawnusa.net/productsee4>. Screen capture from amazon.com showing earliest available date for sink model DAF3320C dated Oct. 16, 2017 (2 pages).

Standart PRO 33" Flat Apron Front 16 Gauge Stainless Steel Single Bowl Kitchen Sink, Model KHF410-33, <https://www.kraususa.com/kraus-khf410-33-33-flat-apron-front-16-gauge-stainless-steel-single-bowl-kitchen-sink.html>, accessed Sep. 14, 2020, pp. 1-4.

Texas Lightsmith Luminescent Sinks, <https://www.texaslightsmith.com/luminescent-sinks/>, accessed Apr. 19, 2021, pp. 1-32.

Third Chinese Office Action on CN Patent Application No. 201910763481.4 dated Aug. 10, 2021 (9 pages).

U.S. Office Action on U.S. Appl. No. 15/417,031 dated Apr. 3, 2018 (8 pages).

U.S. Office Action on U.S. Appl. No. 15/417,031 dated Mar. 9, 2017 (6 pages).

U.S. Office Action on U.S. Appl. No. 16/589,967 dated Jul. 15, 2021 (5 pages).

European Search Report on EP 21153093.6 dated Jun. 9, 2021 (20 pages).

European Search Report on EP 21153120.7 dated Jun. 28, 2021 (9 pages).

Extended European Search Report on EP Appln. Ser. No. 21153093.6 dated Sep. 22, 2021 (16 pages).

\* cited by examiner

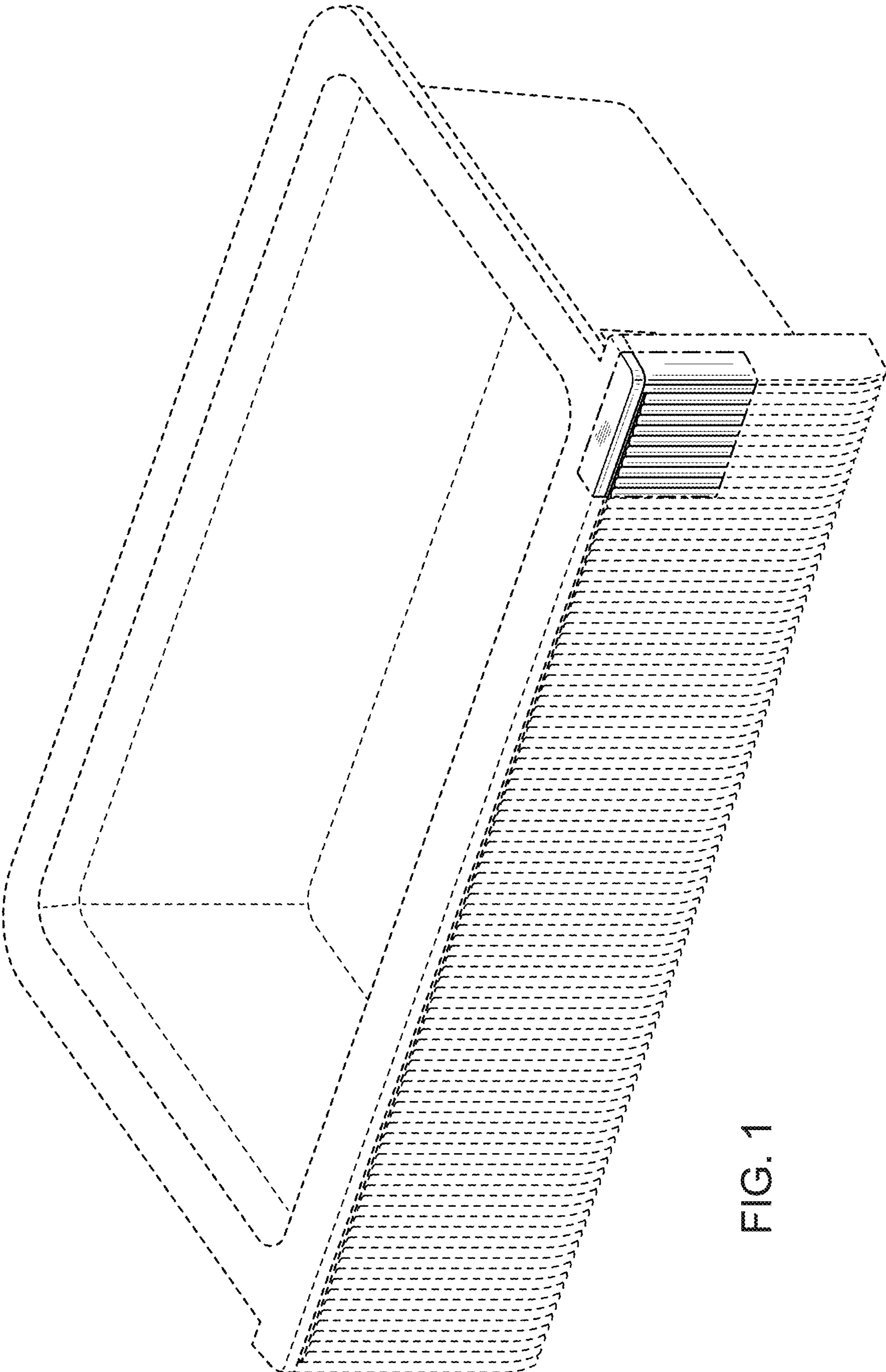


FIG. 1



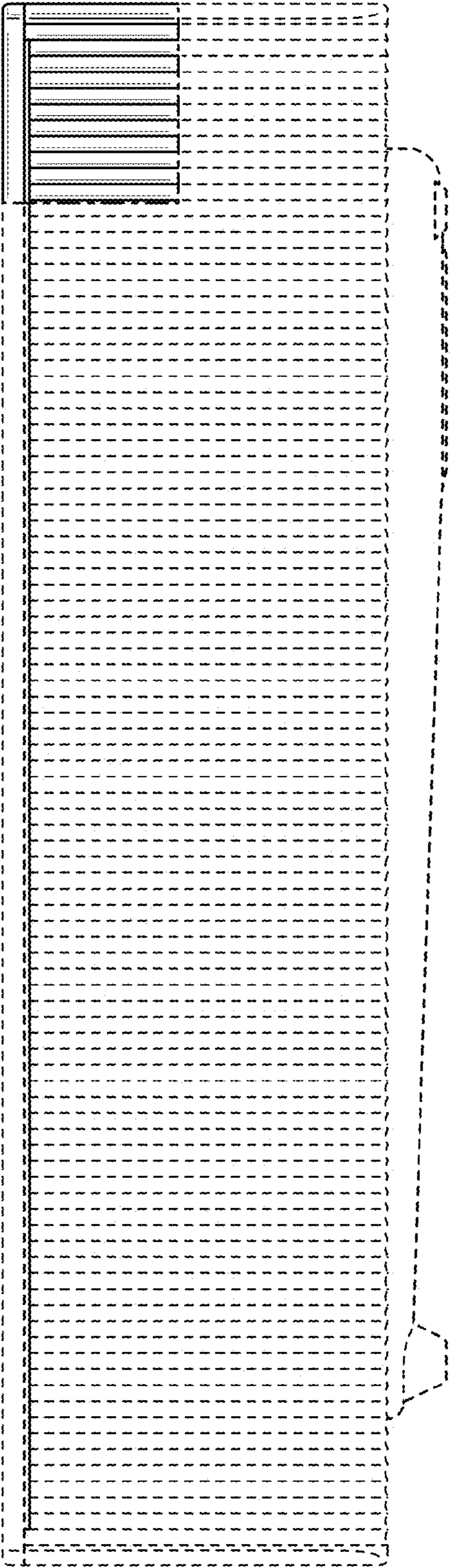


FIG. 2

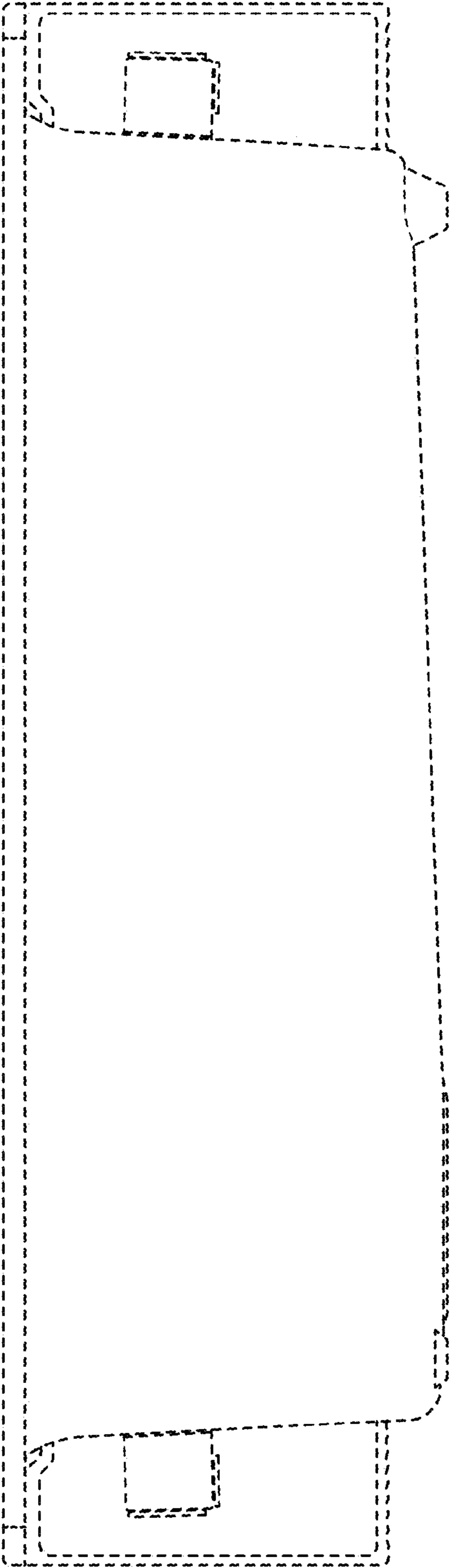


FIG. 3

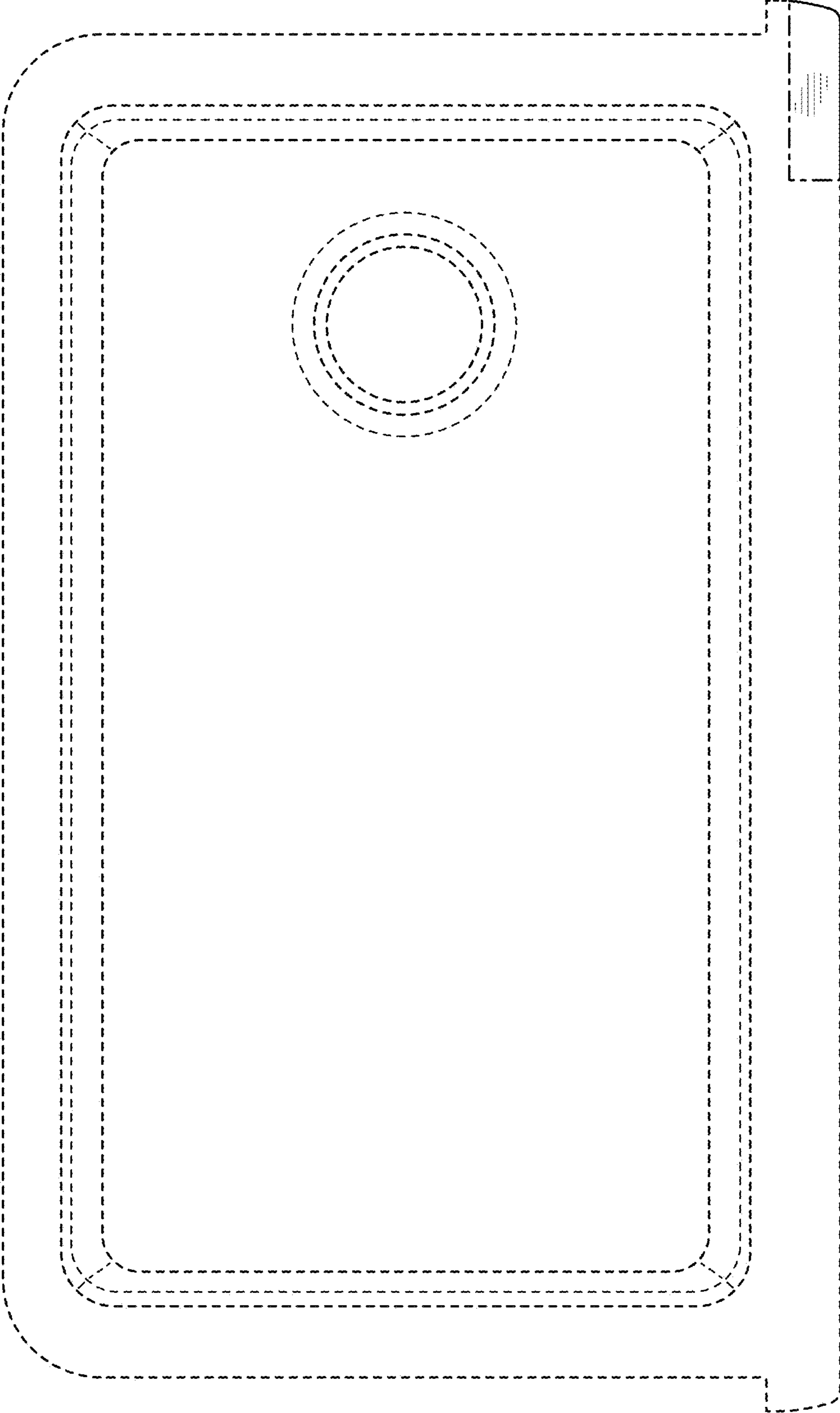


FIG. 4



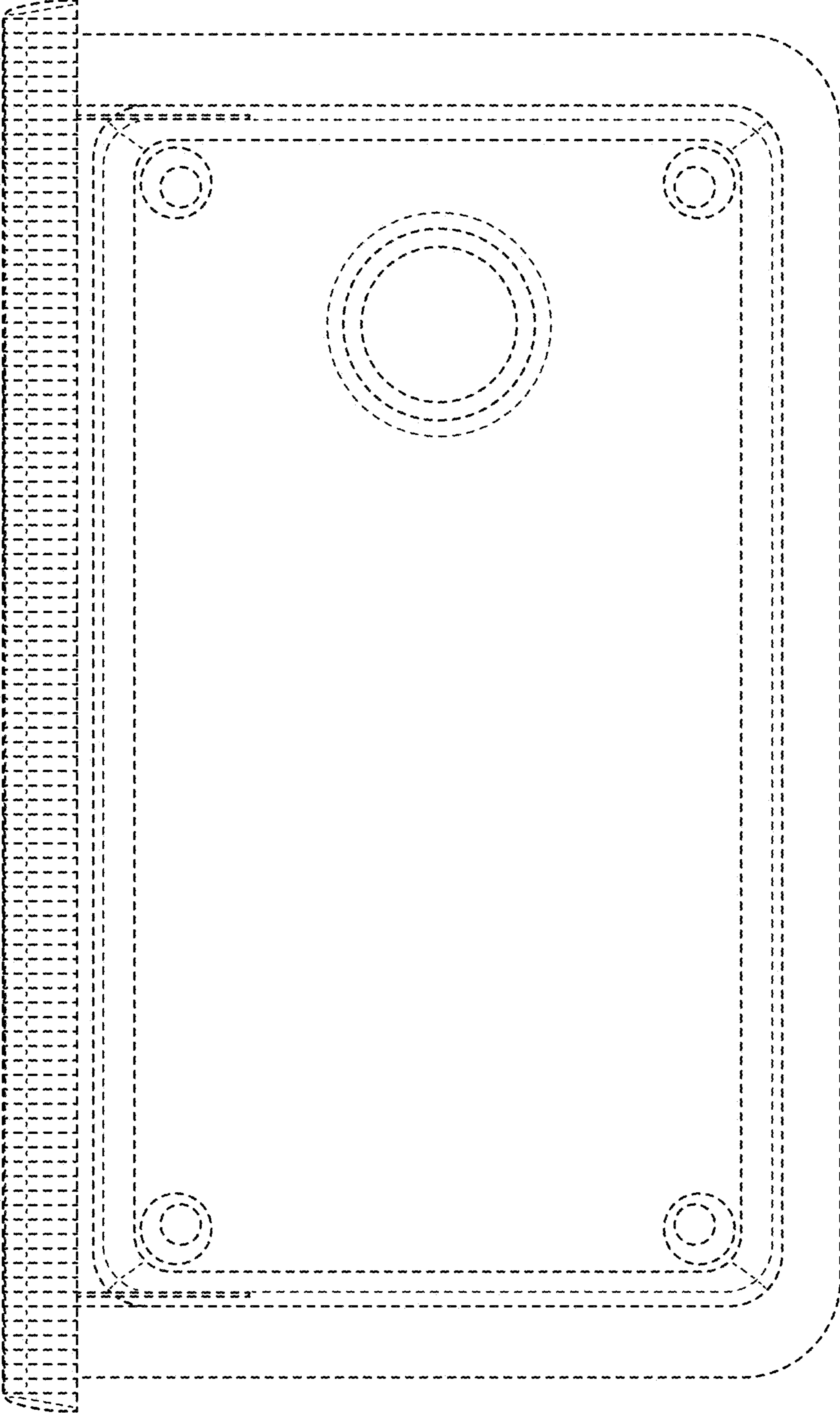


FIG. 5

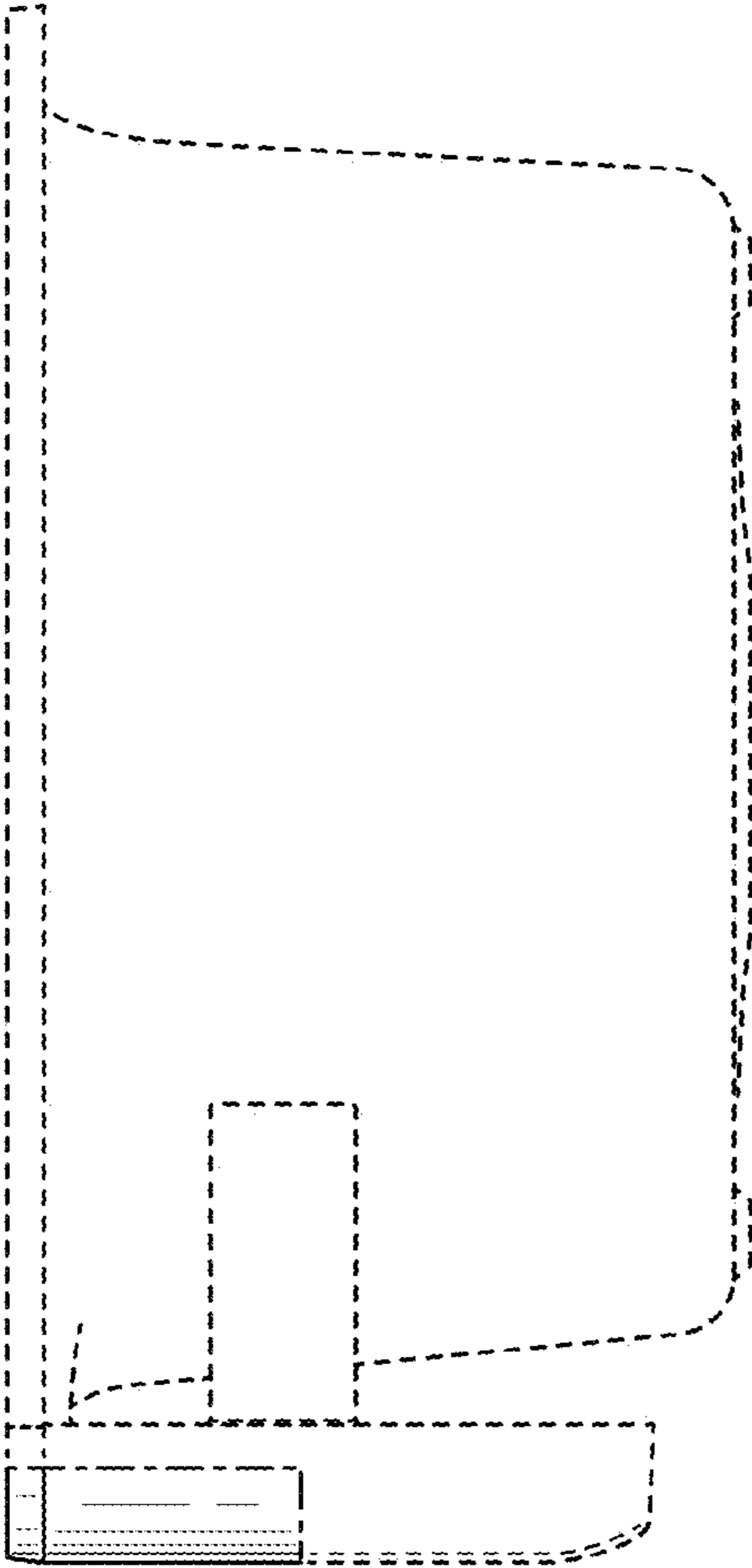


FIG. 6

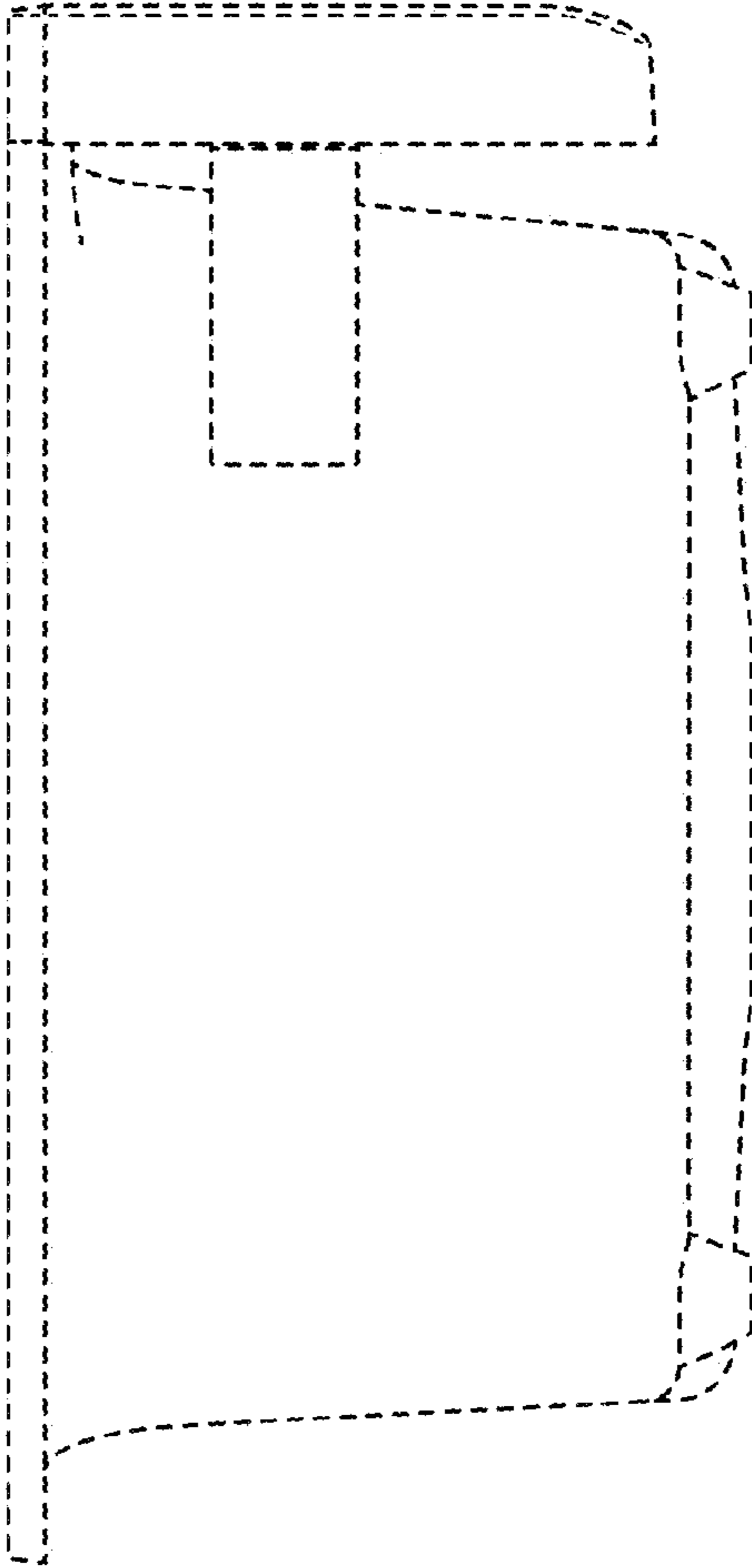


FIG. 7