



US00D952805S

(12) **United States Design Patent** (10) **Patent No.:** **US D952,805 S**  
**Lin** (45) **Date of Patent:** **\*\* May 24, 2022**

(54) **WATER PIPE QUICK CONNECTOR**

(71) Applicant: **Changzheng Lin**, Jinhua (CN)

(72) Inventor: **Changzheng Lin**, Jinhua (CN)

(\*\*) Term: **15 Years**

(21) Appl. No.: **29/719,228**

(22) Filed: **Jan. 2, 2020**

(51) **LOC (13) Cl.** ..... **23-01**

(52) **U.S. Cl.**  
USPC ..... **D23/262**

(58) **Field of Classification Search**  
USPC ..... D23/259, 262–266, 245, 213, 233, 235;  
285/197–200, 249, 389, 305; D13/133,  
D13/151; D8/382, 396; 137/315.23,  
137/798; 138/109–110, 155, 96 T;  
D24/129, 127, 112

CPC ..... E03F 5/04  
See application file for complete search history.

(56) **References Cited**

**U.S. PATENT DOCUMENTS**

- 5,609,370 A \* 3/1997 Szabo ..... F16L 37/0985  
285/319
- D530,796 S \* 10/2006 Zielke ..... D23/262
- D570,457 S \* 6/2008 Brown ..... D23/262
- D639,398 S \* 6/2011 Wilhelm ..... D23/262
- D725,747 S \* 3/2015 Alexander ..... D23/233
- 9,423,062 B2 \* 8/2016 Steele ..... F16L 37/107
- 2005/0179257 A1 \* 8/2005 Dick ..... B29C 45/1459  
285/305
- 2007/0273150 A1 \* 11/2007 Tsurumi ..... F16L 37/144  
285/305

- 2008/0111371 A1 \* 5/2008 Feger ..... F16L 37/144  
285/305
- 2008/0129047 A1 \* 6/2008 Blivet ..... F16L 37/0982  
285/308
- 2012/0086197 A1 \* 4/2012 Bauer ..... F16L 37/0987  
285/81
- 2012/0133127 A1 \* 5/2012 Gilbreath ..... F16L 19/0231  
285/317
- 2013/0320672 A1 \* 12/2013 Steele ..... F16L 37/248  
285/305
- 2018/0066780 A1 \* 3/2018 Blivet ..... F16L 37/0841

**FOREIGN PATENT DOCUMENTS**

CN 305619833 \* 2/2020

\* cited by examiner

*Primary Examiner* — Amy C Wierenga  
(74) *Attorney, Agent, or Firm* — Hawaii Patent Services;  
Nathaniel K. Fedde

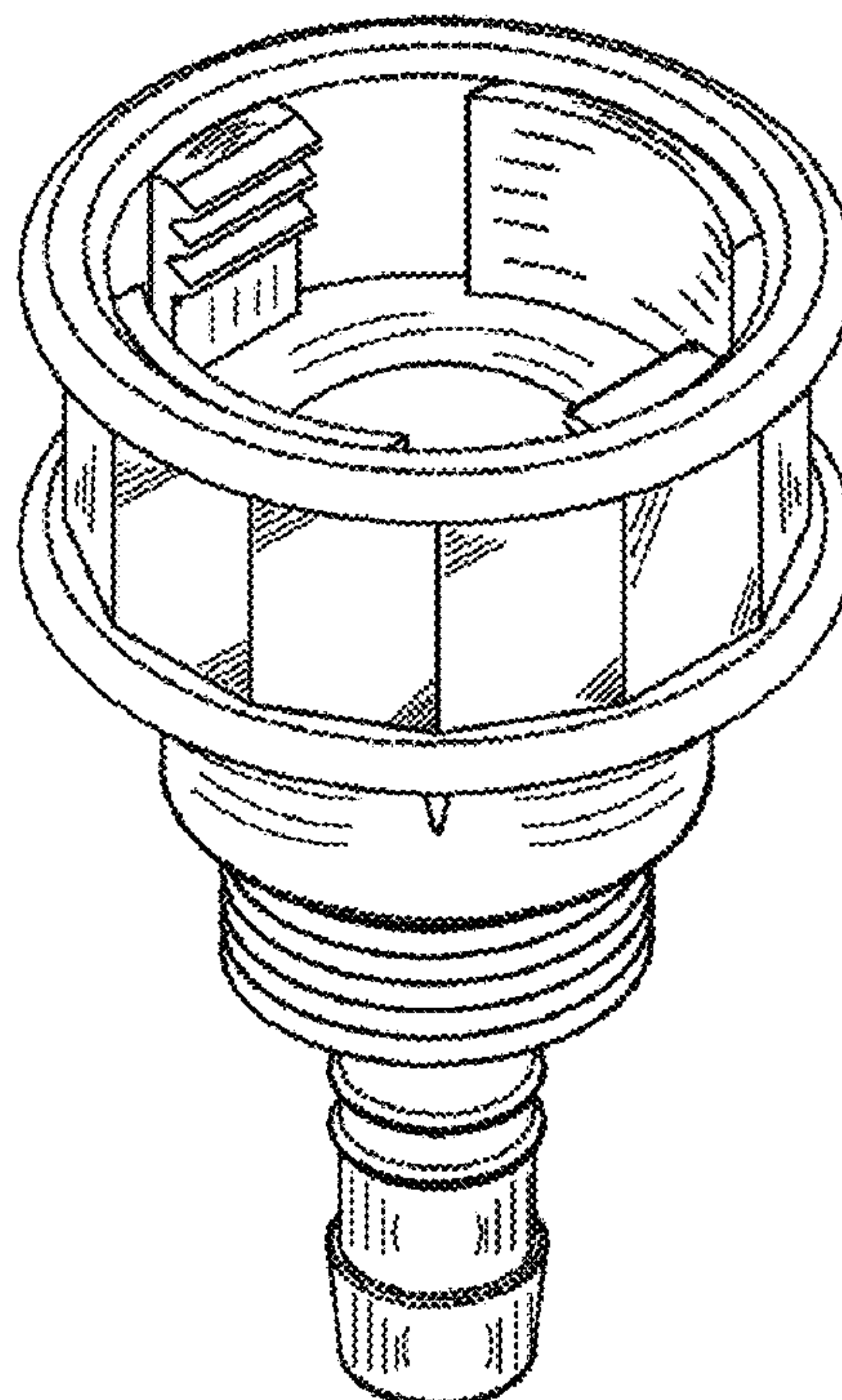
(57) **CLAIM**

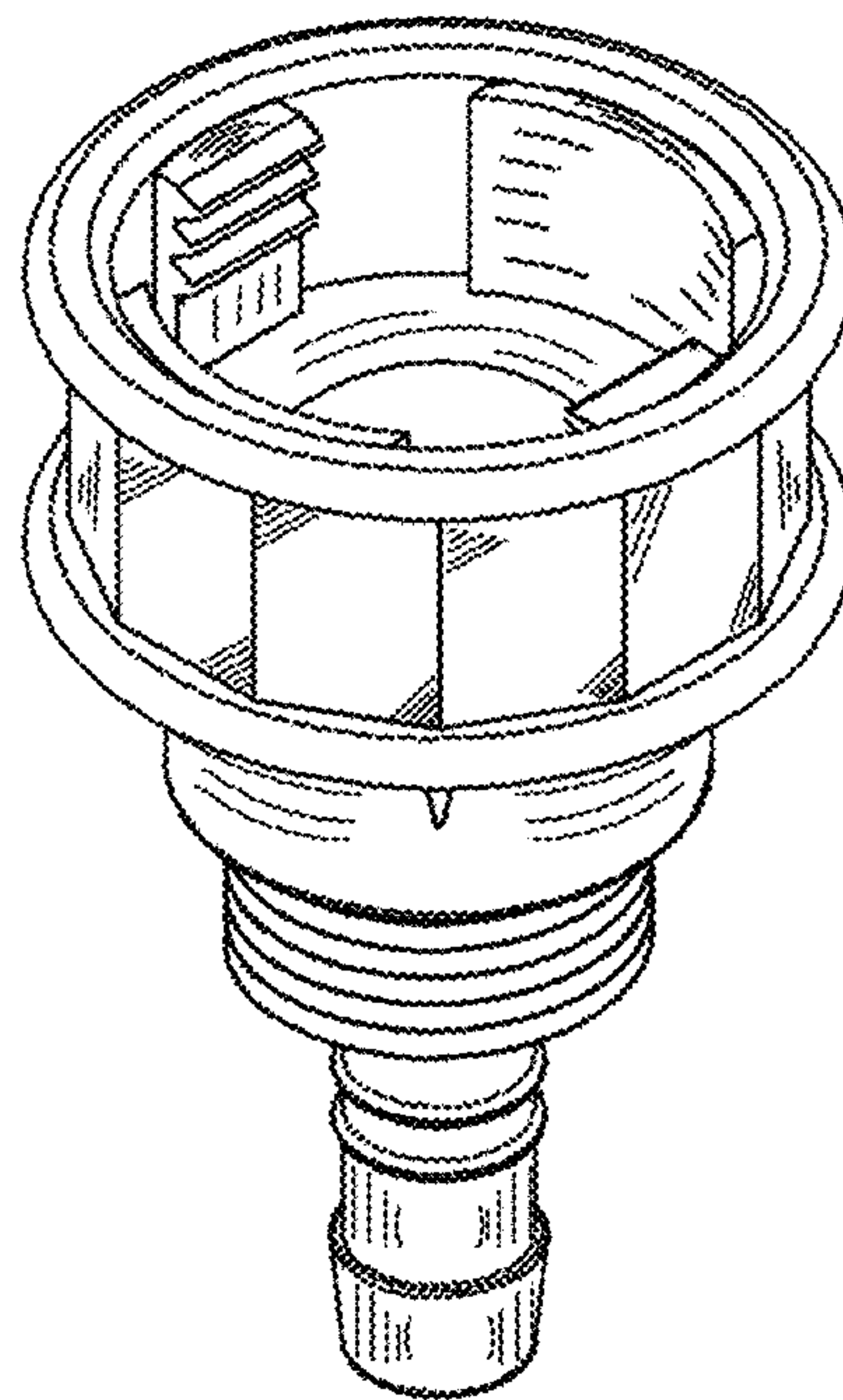
The ornamental design for a water pipe quick connector, as shown and described.

**DESCRIPTION**

FIG. 1 is a front, top perspective view of a water pipe quick connector showing my new design;  
FIG. 2 is a front elevational view thereof;  
FIG. 3 is a rear elevational view thereof;  
FIG. 4 is a right side elevational view thereof;  
FIG. 5 is a left side elevational view thereof;  
FIG. 6 is a top plan view thereof; and,  
FIG. 7 is a bottom plan view thereof.

**1 Claim, 7 Drawing Sheets**





**FIGURE 1**

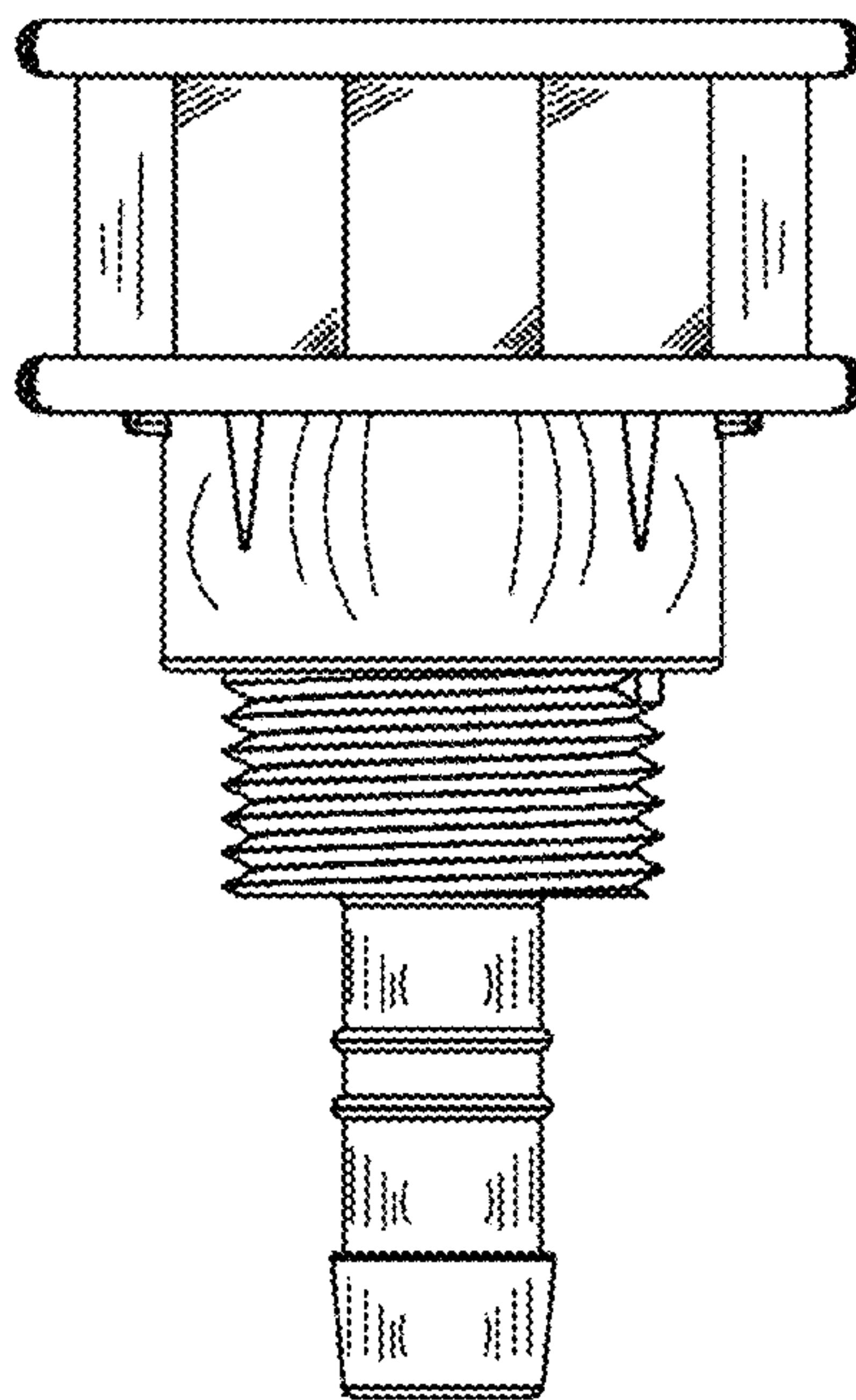


Figure 2

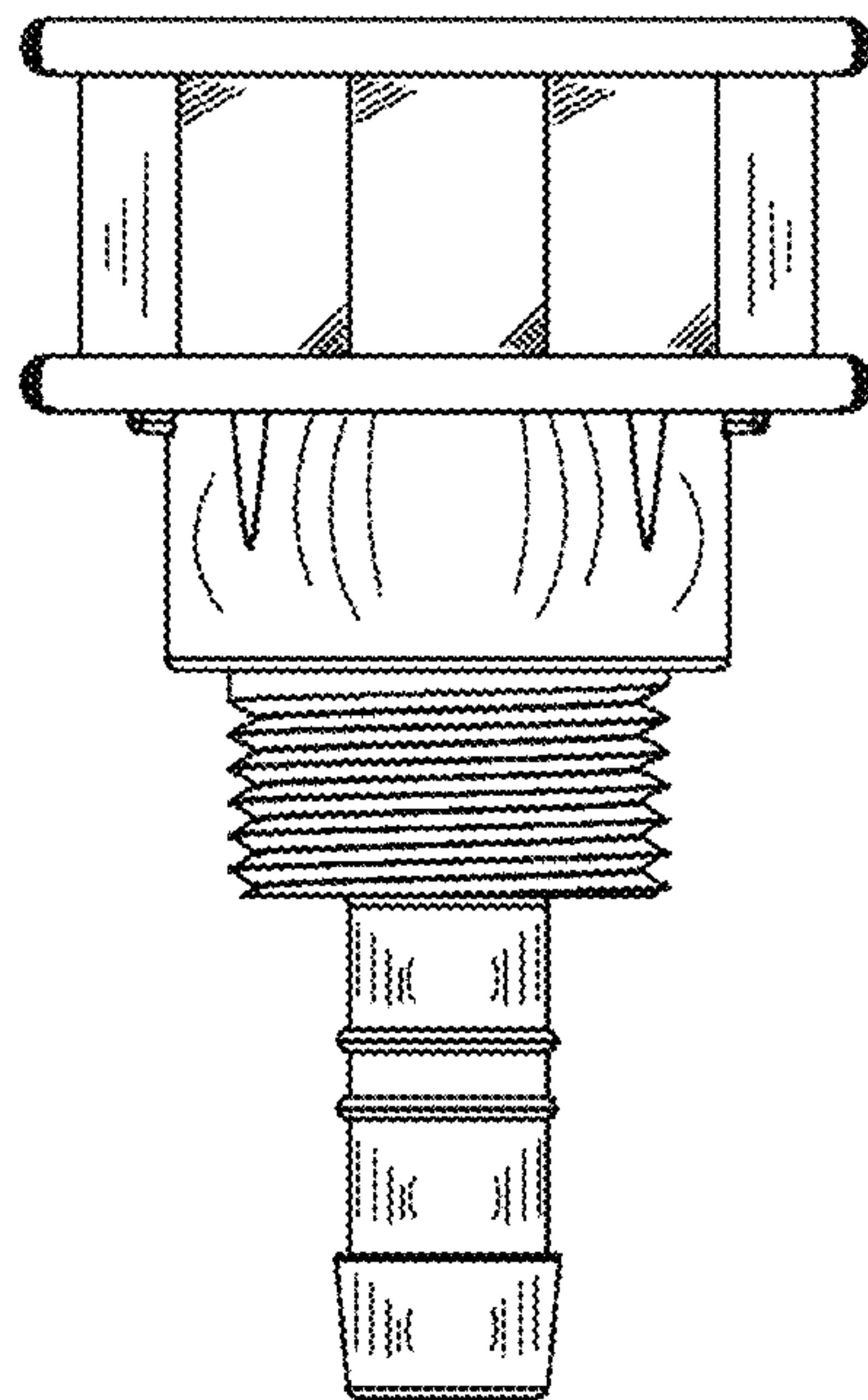


Figure 3

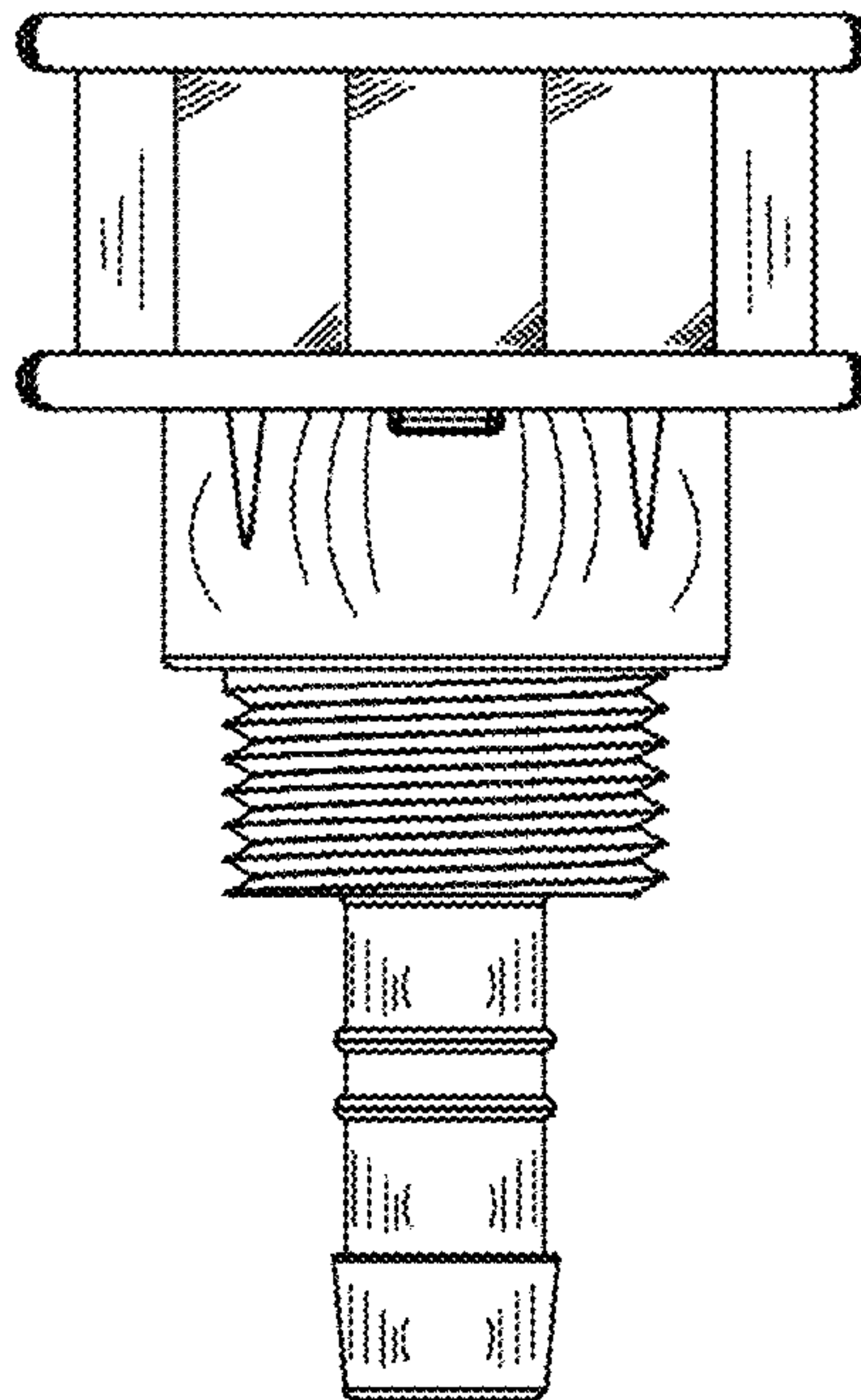


Figure 4

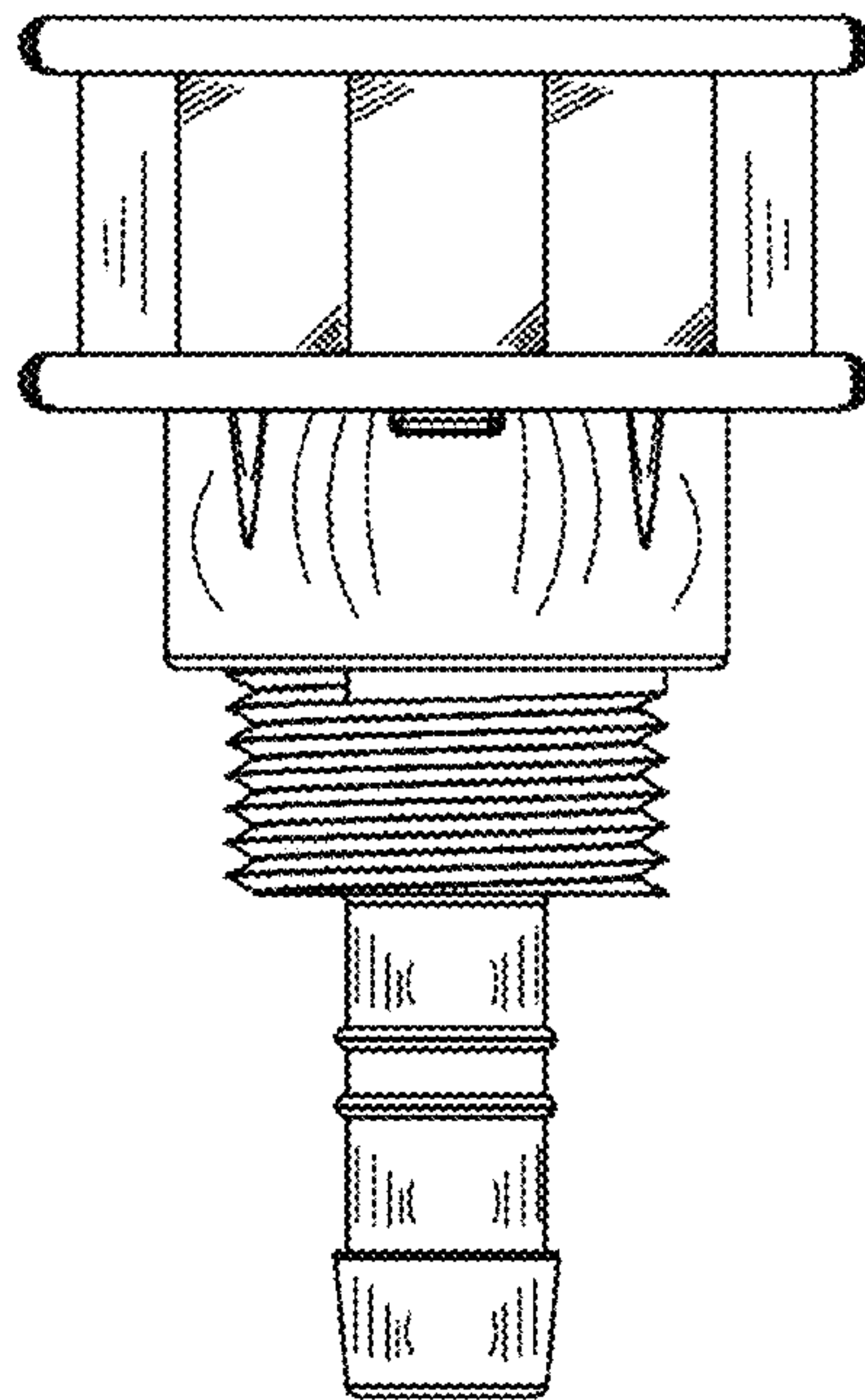
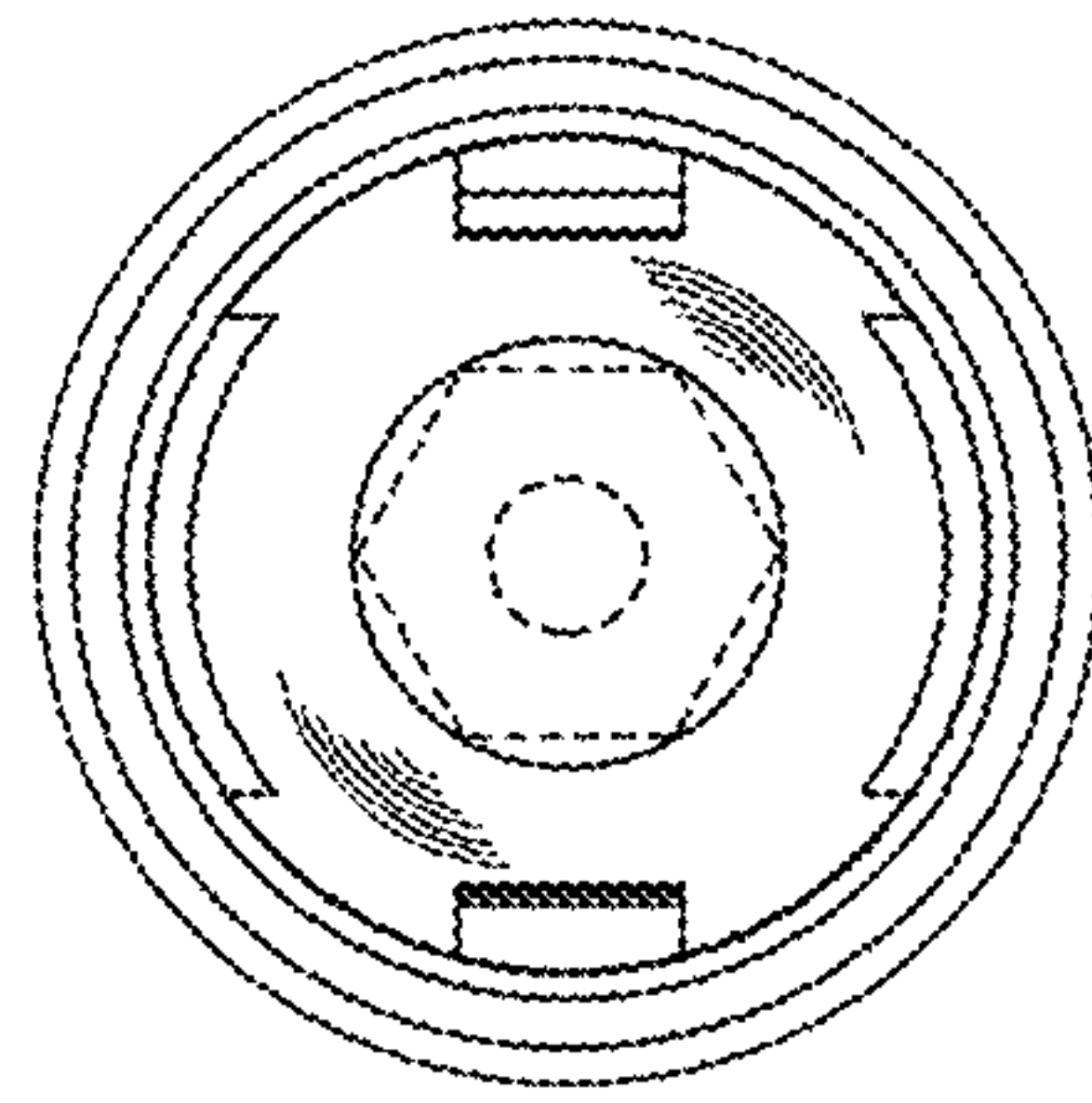
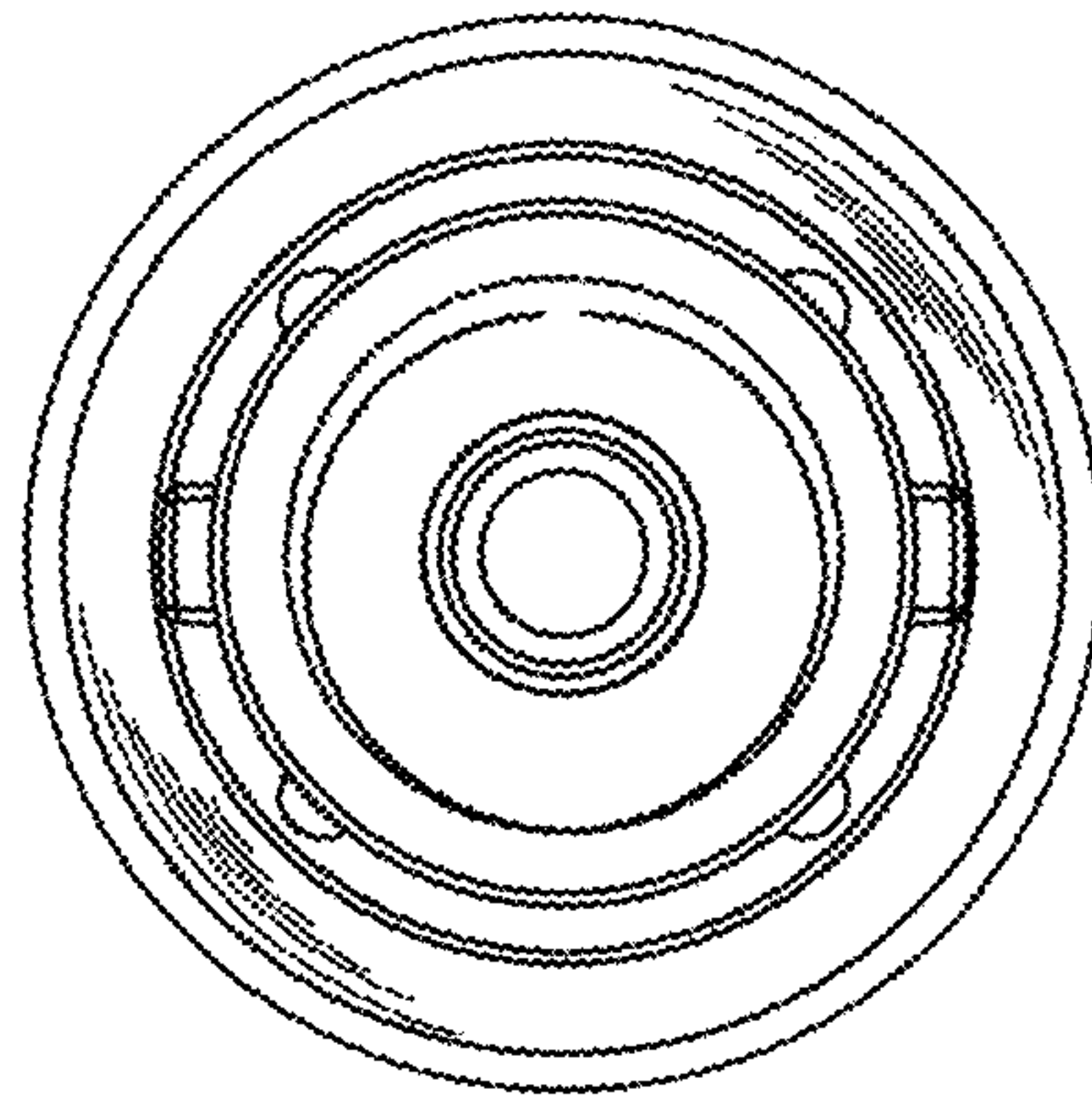


Figure 5



**Figure 6**





**Figure 7**