



US00D952804S

(12) **United States Design Patent**  
**Hair et al.**

(10) **Patent No.:** **US D952,804 S**

(45) **Date of Patent:** **\*\* May 24, 2022**

(54) **LIQUID INTAKE**

(71) Applicant: **Turret IP Pty Ltd**, Mount Hawthorn (AU)

(72) Inventors: **Robert Bruce Hair**, Boddington (AU);  
**Angus William McDonald**, Frankston South (AU)

(73) Assignee: **Turret IP Pty Ltd**, Mount Hawthorn (AU)

(\*\*) Term: **15 Years**

(21) Appl. No.: **29/724,218**

(22) Filed: **Feb. 13, 2020**

(30) **Foreign Application Priority Data**

Aug. 14, 2019 (AU) ..... 201914575

(51) **LOC (13) Cl.** ..... **23-01**

(52) **U.S. Cl.**  
USPC ..... **D23/261; D15/7**

(58) **Field of Classification Search**  
USPC ..... D23/259, 261–262, 264–265, 207,  
D23/209–210, 260; D15/7, 28; 210/122,  
210/167.1, 167, 242.1

CPC ..... E03B 3/04; E04H 4/1263; E02B 15/10;  
B01D 35/05

See application file for complete search history.

(56) **References Cited**

**U.S. PATENT DOCUMENTS**

- 2,508,952 A \* 5/1950 Kline ..... F04B 53/1037  
210/131
- 3,762,557 A \* 10/1973 Tudor ..... E02B 15/106  
210/242.3
- 3,928,202 A \* 12/1975 Raubenheimer ..... E02B 15/106  
210/167.15
- 4,024,063 A \* 5/1977 Mori ..... E02B 15/10  
210/242.1

- D249,955 S \* 10/1978 Vogelsang ..... D23/261
- 4,310,423 A \* 1/1982 Brown ..... B01D 29/01  
210/791
- 4,746,424 A \* 5/1988 Drew ..... E04H 4/1263  
134/167 R
- D343,228 S \* 1/1994 Colin ..... D23/261
- D374,067 S \* 9/1996 Crook ..... D23/259
- 5,611,677 A \* 3/1997 Salama ..... E02B 13/00  
239/542

(Continued)

**OTHER PUBLICATIONS**

The Weekly Times; “Turret stops the block” published Nov. 29, 2018 on weeklytimesnow.com.au; Visited Online Oct. 5, 2021; <https://www.weeklytimesnow.com.au/news/water/turret-stops-the-block/news-story/b899669f0475eb552ccb6d3fd2294db7> (Year: 2018).\*

(Continued)

*Primary Examiner* — Amy C Wierenga

(74) *Attorney, Agent, or Firm* — Womble Bond Dickinson (US) LLP

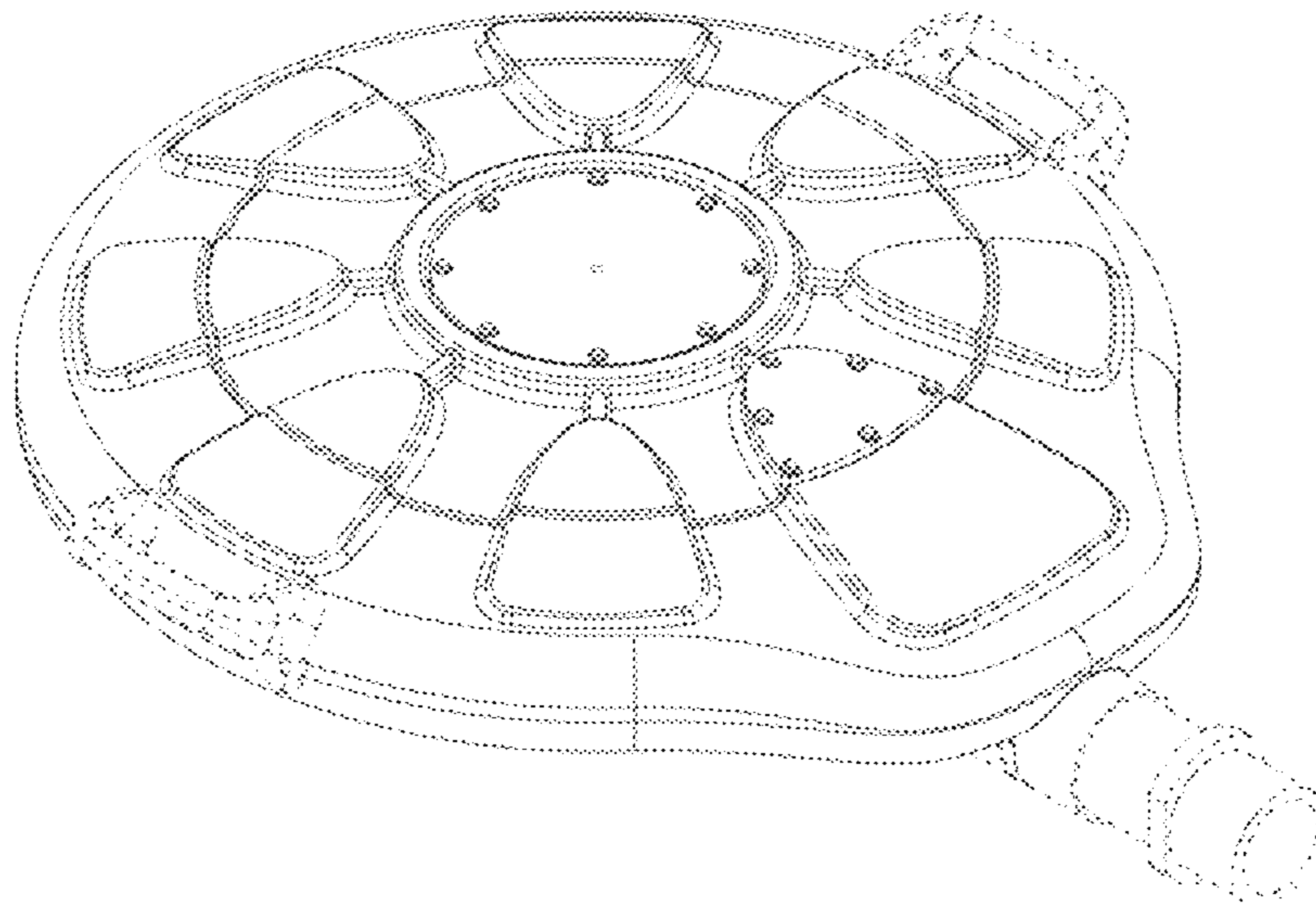
(57) **CLAIM**

The ornamental design for a liquid intake, as shown and described.

**DESCRIPTION**

FIG. 1 is top perspective view of a liquid intake according to our new design;  
FIG. 2 is a front elevation view thereof, the rear elevation view is a mirror image;  
FIG. 3 is a left elevation view thereof;  
FIG. 4 is a right elevation view thereof;  
FIG. 5 is a top plan view thereof;  
FIG. 6 is a bottom plan view thereof; and,  
FIG. 7 is a bottom perspective view thereof.  
The broken lines shown in the drawings illustrate portions of the liquid intake that form no part of the claim.

**1 Claim, 7 Drawing Sheets**



(56)

**References Cited**

U.S. PATENT DOCUMENTS

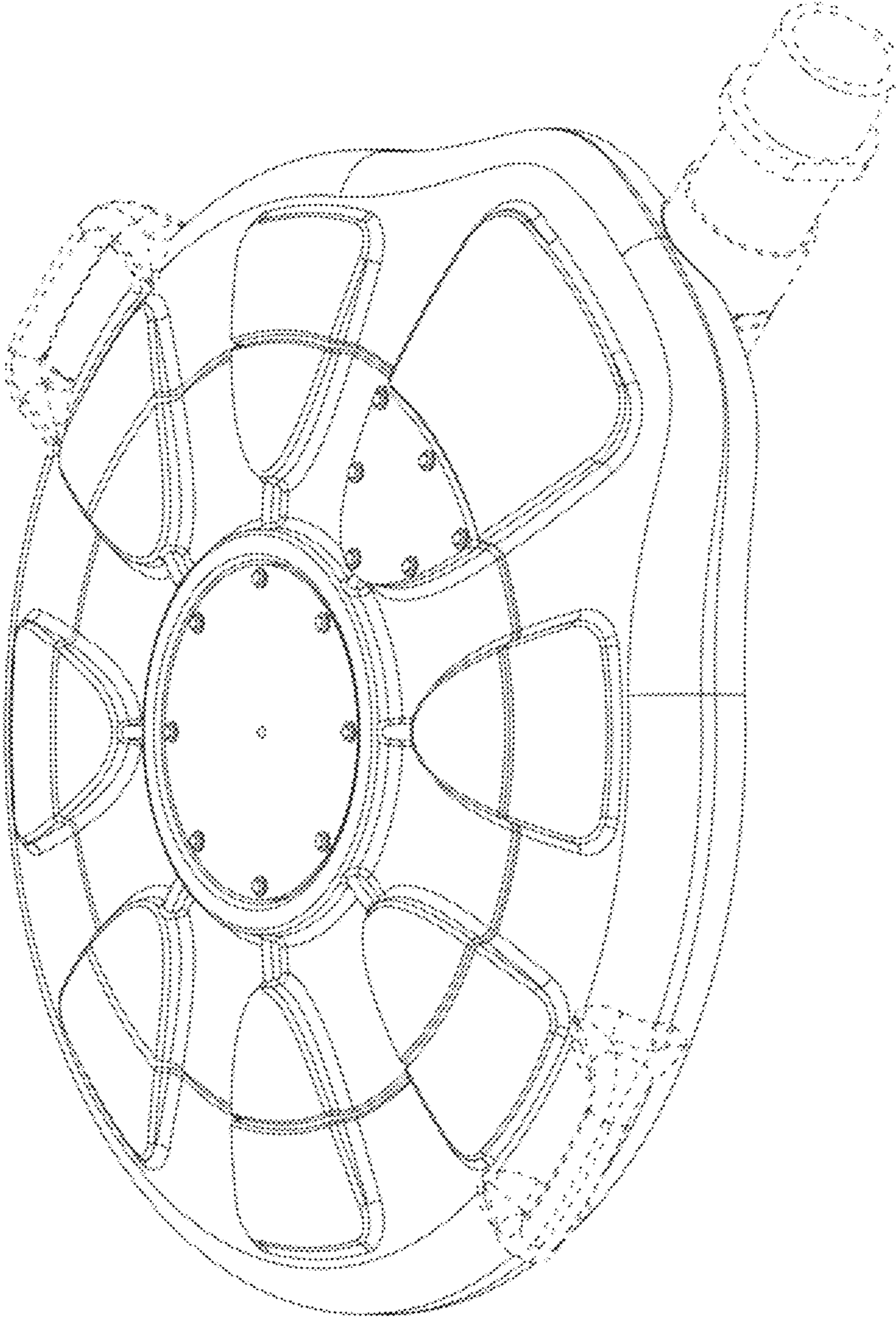
6,089,790 A \* 7/2000 Berry, III ..... E03B 3/04  
405/127  
D460,810 S \* 7/2002 Sommerhein ..... D23/261  
D624,631 S \* 9/2010 Cantrill ..... D23/261  
D669,155 S \* 10/2012 Bryan ..... D23/209  
D673,243 S \* 12/2012 Bryan ..... D23/209  
D717,395 S \* 11/2014 Neto ..... D23/209  
D846,008 S \* 4/2019 Geldenhuys ..... D15/138

OTHER PUBLICATIONS

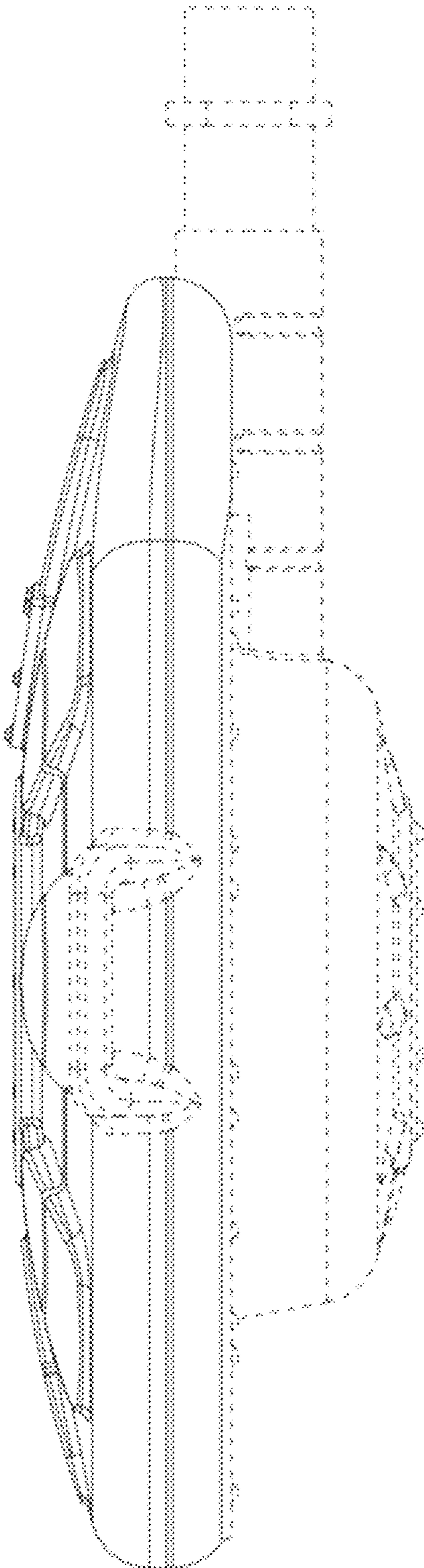
<https://www.weeklytimesnow.com.au/news/water/turret-stops-the-block/newsstory/b899669f0475eb552ccb6d3fd2294db7> dated Nov. 29, 2018.

Rejection Decision of Design Application for Indonesian Application No. A00202000478 dated Dec. 30, 2020, with English translation.

\* cited by examiner



**FIG. 1**



**FIG. 2**

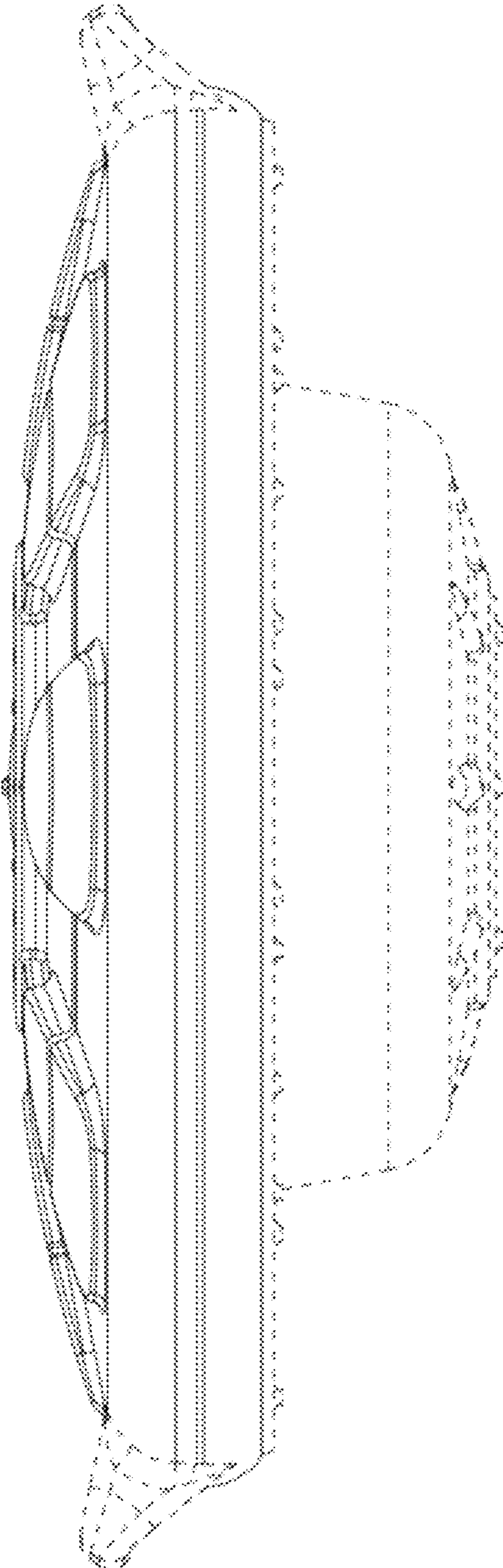


FIG. 3

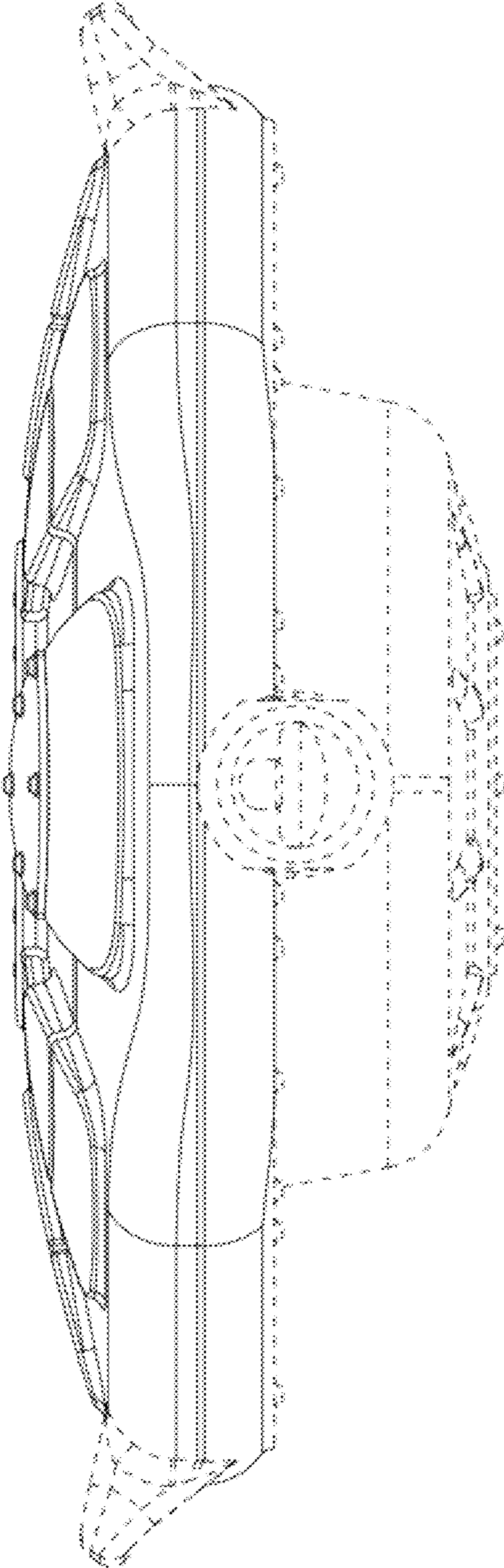


FIG. 4

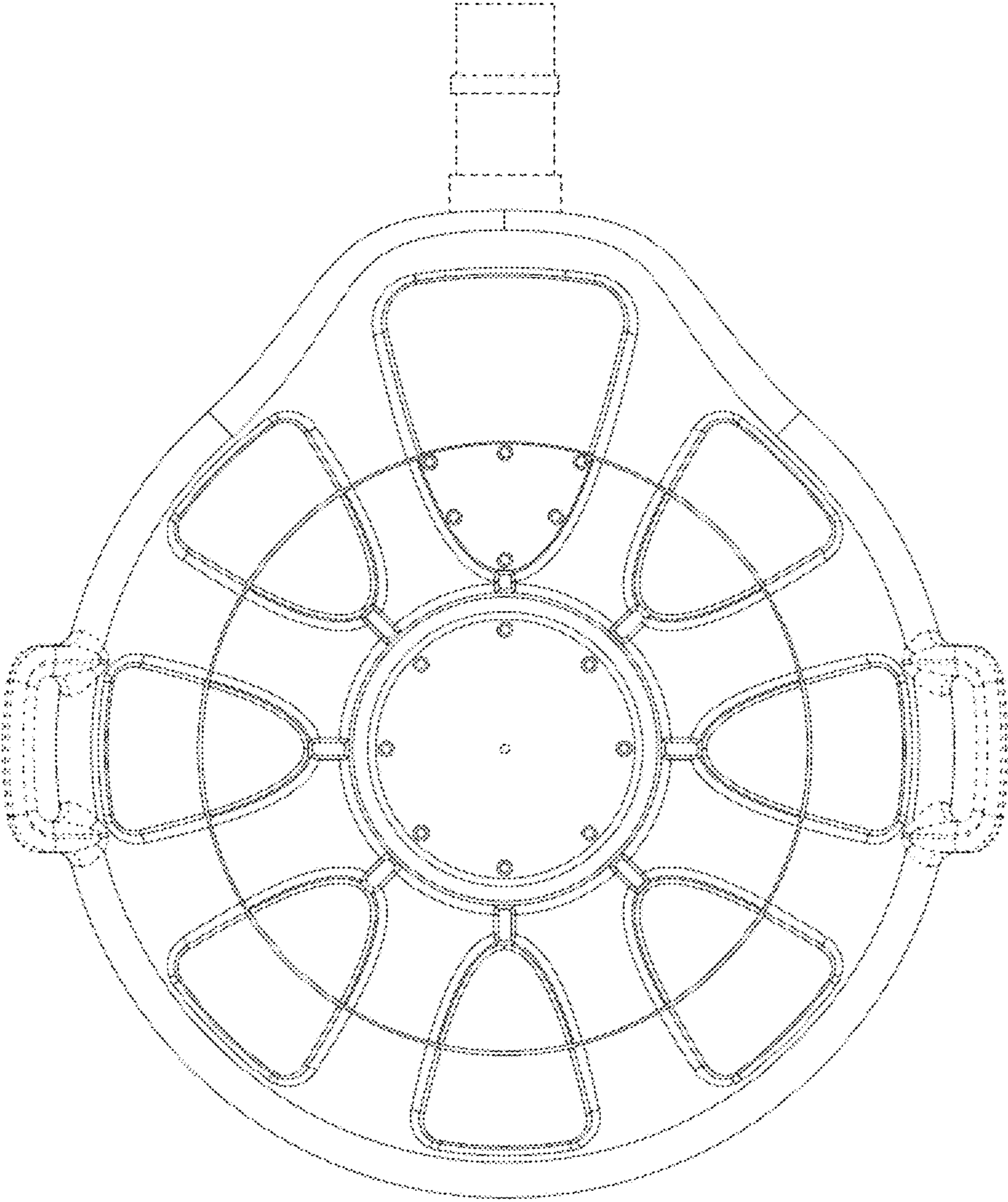


FIG. 5

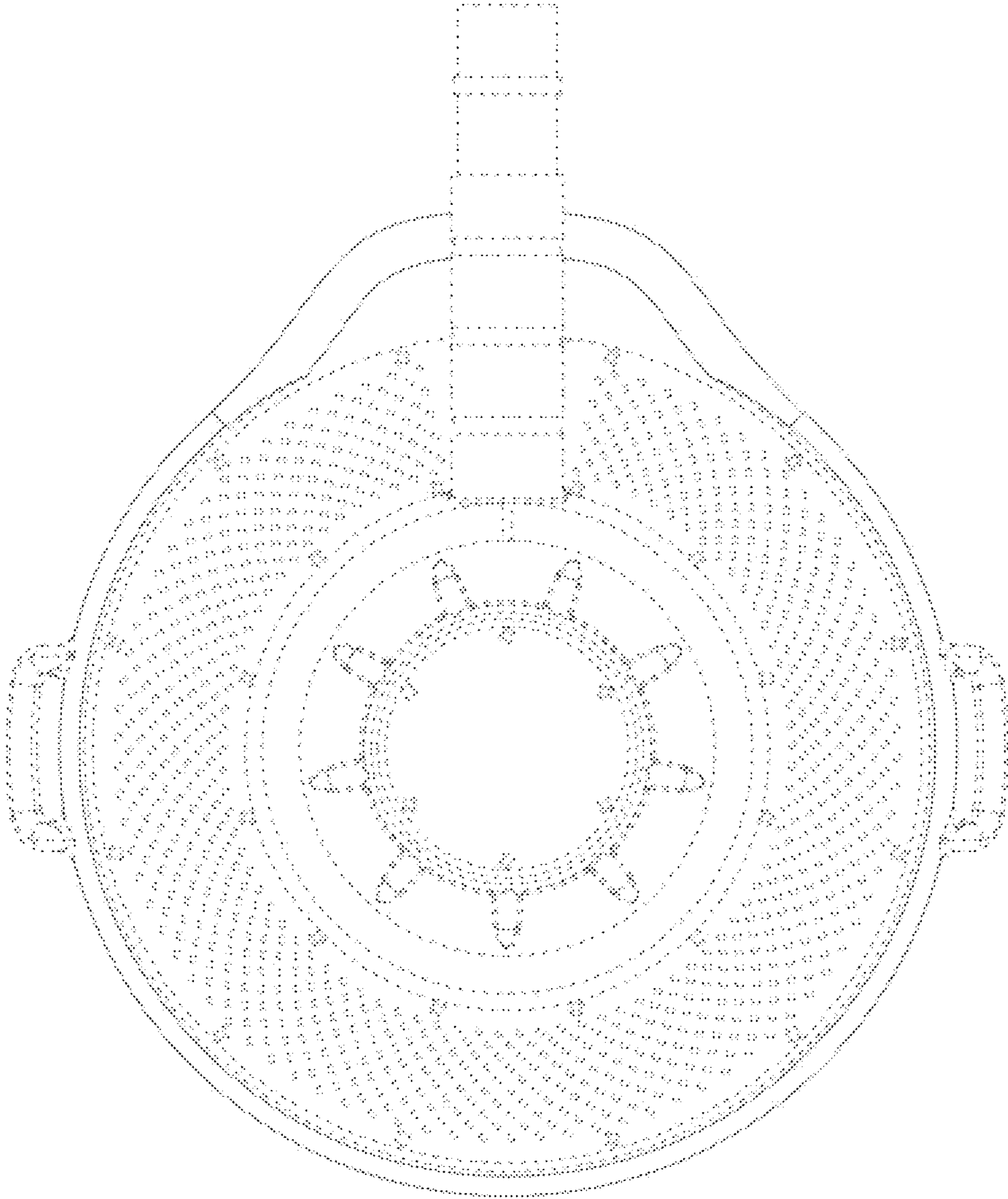


FIG. 6



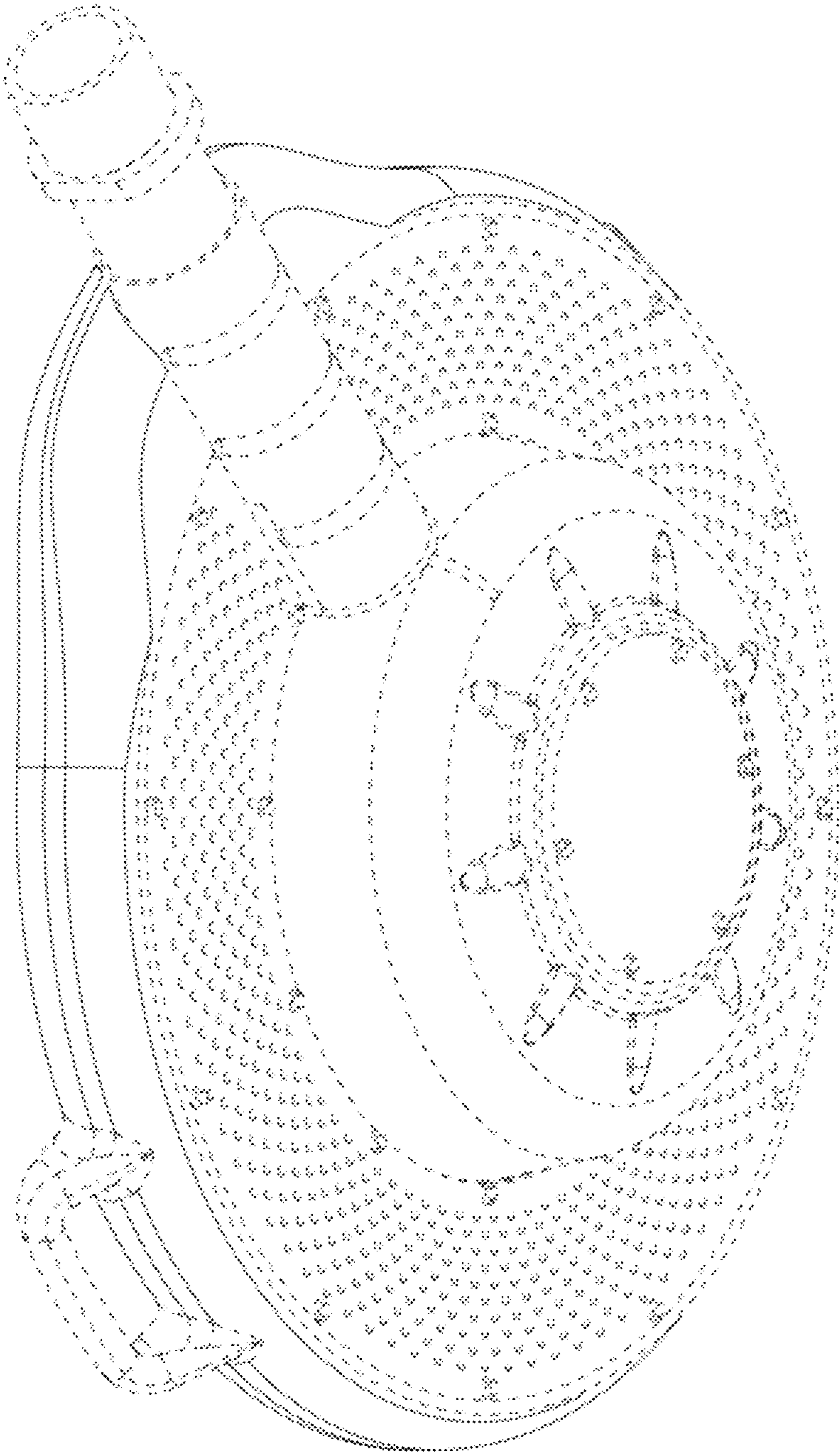


FIG. 7