



US00D952803S

(12) **United States Design Patent** (10) **Patent No.:** **US D952,803 S**
Han (45) **Date of Patent:** **** May 24, 2022**

(54) **UNIVERSAL DRAIN STOPPER**
(71) Applicant: **HANGZHOU FUTU E-COMMERCE TECHNOLOGY CO., LTD.,**
Hangzhou (CN)
(72) Inventor: **Dawei Han,** Beijing (CN)
(73) Assignee: **HANGZHOU FUTU E-COMMERCE TECHNOLOGY CO., LTD.,**
Hangzhou (CN)

D832,407 S * 10/2018 Karnegie D23/261
D836,732 S * 12/2018 Marsden D21/603
D837,934 S * 1/2019 Jeong D23/213
D845,447 S * 4/2019 Bearsch D23/260
D858,718 S * 9/2019 Najimi D23/260
D867,551 S * 11/2019 Xiang D23/261
10,519,638 B2 * 12/2019 Schuster E03C 1/262
10,687,672 B1 * 6/2020 Bynog A47K 1/14
D921,165 S * 6/2021 Chen D23/260

(Continued)

FOREIGN PATENT DOCUMENTS

CN 305690106 * 4/2020

OTHER PUBLICATIONS

Boon Star Starfish Bath Tub & Sink Stopper; Amazon Customer Review Jan. 9, 2018; Visited Online Apr. 2, 2022; https://www.amazon.com/gp/customer-reviews/R3P9K87ADRLRON?ref=va_cr_lb (Year: 2018).*

(Continued)

Primary Examiner — Amy C Wierenga

(57) **CLAIM**

The ornamental design for a universal drain stopper, as shown and described.

DESCRIPTION

FIG. 1 is a perspective view of a universal drain stopper showing my new design;
FIG. 2 is another perspective view thereof;
FIG. 3 is a front elevational view thereof;
FIG. 4 is a rear elevational view thereof;
FIG. 5 is a left side elevational view thereof;
FIG. 6 is a right side elevational view thereof;
FIG. 7 is a top plan view thereof; and,
FIG. 8 is a bottom plan view thereof.

1 Claim, 8 Drawing Sheets

(**) Term: **15 Years**

(21) Appl. No.: **29/797,300**

(22) Filed: **Jun. 30, 2021**

(51) **LOC (13) Cl.** **23-01**

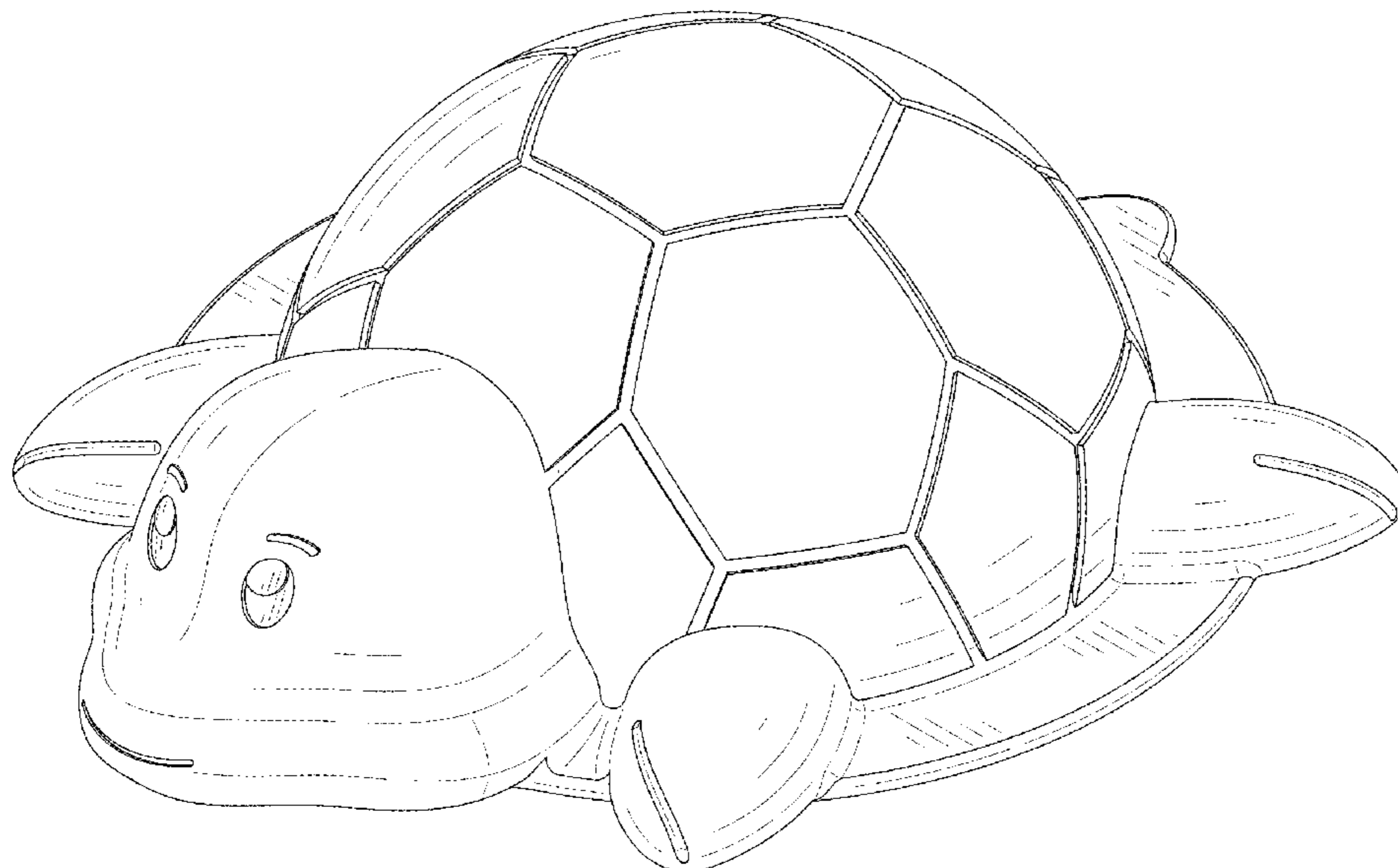
(52) **U.S. Cl.**
USPC **D23/260; D21/473; D21/603**

(58) **Field of Classification Search**
USPC D23/259–261, 209, 307; D7/667; 4/292,
4/222.1, 286, 300.3, 583, 652; D21/473,
D21/603
See application file for complete search history.

(56) **References Cited**

U.S. PATENT DOCUMENTS

D336,948 S * 6/1993 Frankel D23/261
D379,403 S * 5/1997 Jones D23/261
D392,371 S * 3/1998 Holcombe D23/261
D413,656 S * 9/1999 Mauk D23/261
D440,639 S * 4/2001 Donnelly D23/260
D466,198 S * 11/2002 Mullings D23/261
D498,648 S * 11/2004 Lawson D7/667
D662,573 S * 6/2012 Rogalski D23/261
D673,247 S * 12/2012 Eylon D23/261
D680,628 S * 4/2013 Houck D23/260
D724,700 S * 3/2015 Dailey D23/260
D725,752 S * 3/2015 Bargiel D23/261
D743,509 S * 11/2015 Traub D23/261
D781,400 S * 3/2017 Montoya D23/260



(56)

References Cited

U.S. PATENT DOCUMENTS

D921,851 S * 6/2021 Ning D23/260
D935,533 S * 11/2021 Barzilay D21/603

OTHER PUBLICATIONS

Learning Shape Shell Turtles; Announced Jan. 1, 2005; Visited Online Apr. 2, 2022; https://www.amazon.com/Learning-Resources-Shape-Shell-Turtles/dp/B0008FUD7M/ref=sr_1_76?crid=1JS5RKZ3D2MBW&keywords=Universal+Drain+Stopper+Turtle+shape&qid=1648915794&srefix=universal+drain+stopper+turtle+shape%2Caps%2C61&sr=8-76 (Year: 2005).*

* cited by examiner

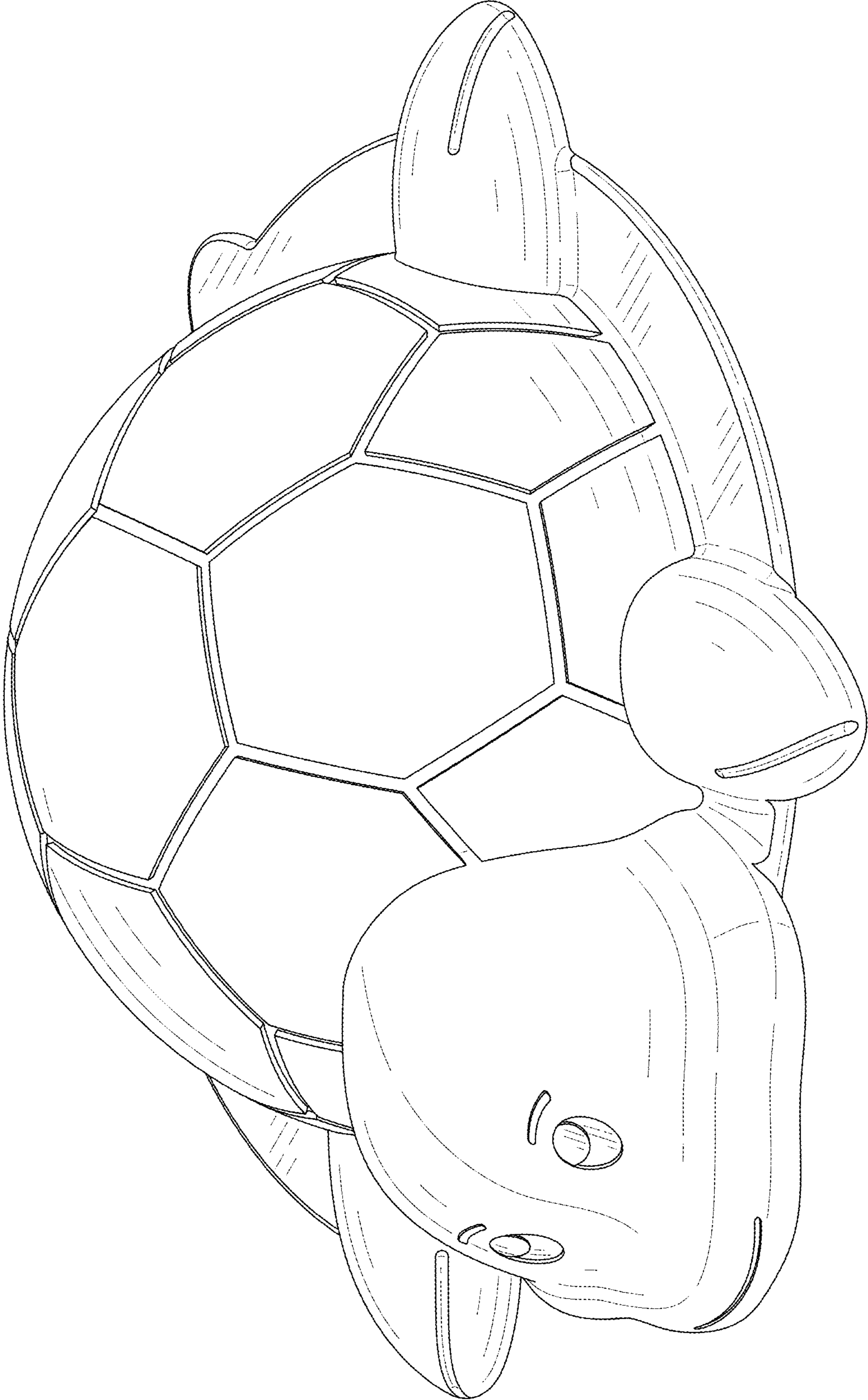


FIG. 1

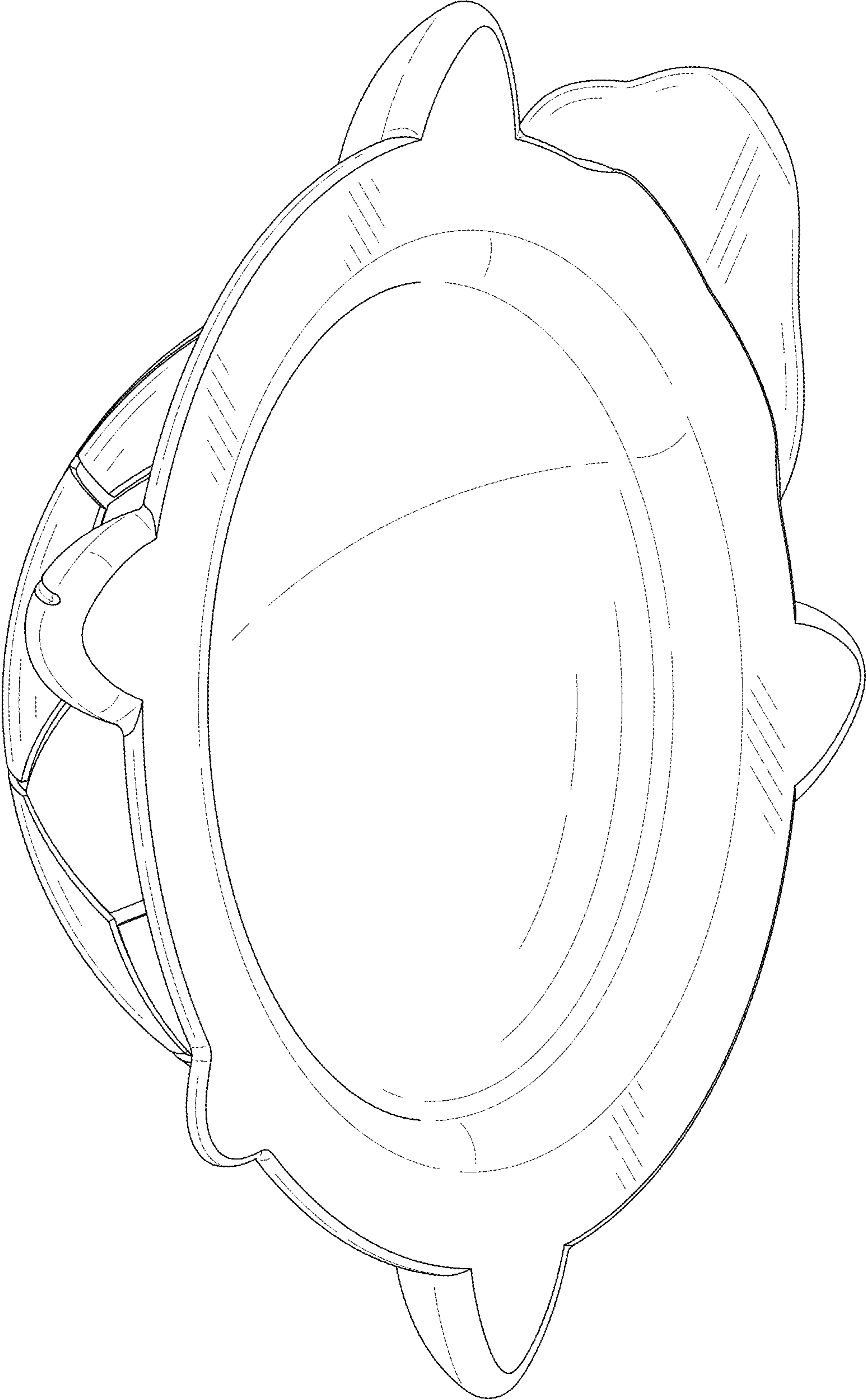


FIG. 2

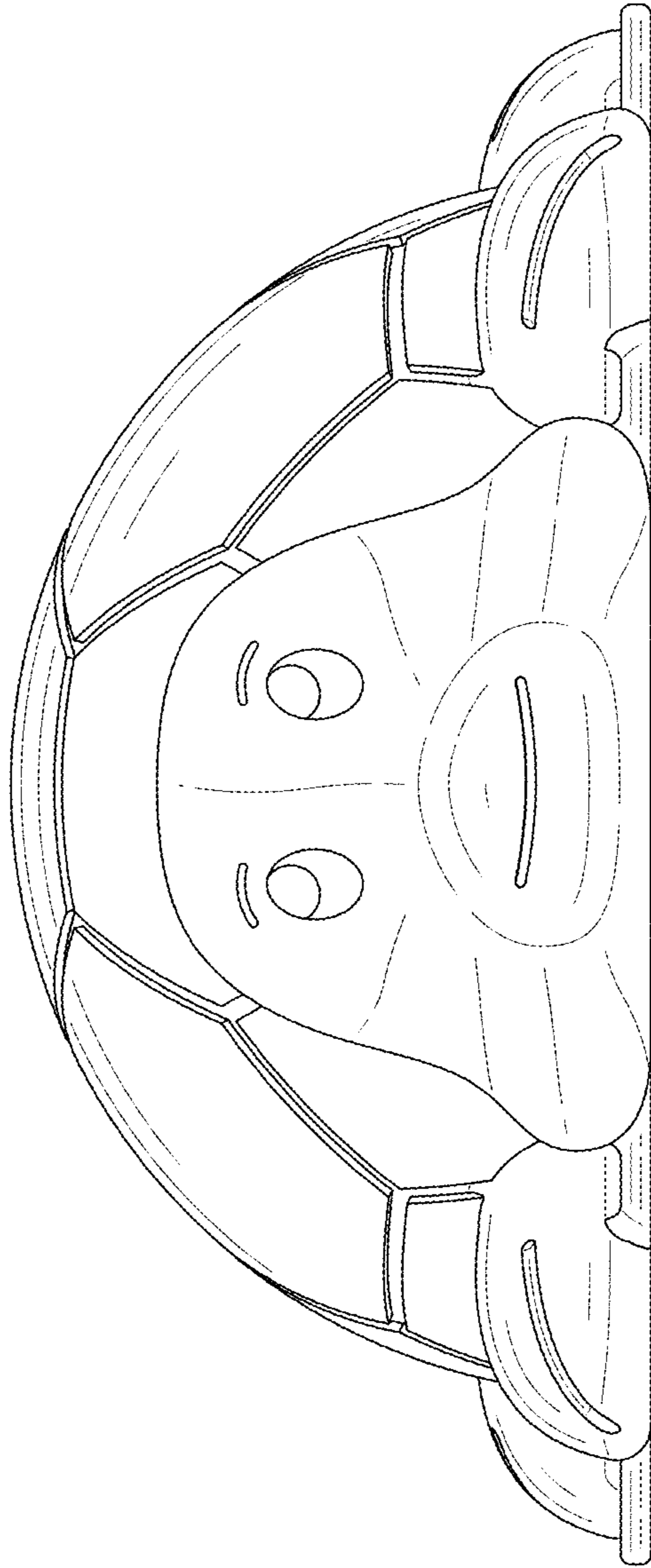


FIG. 3

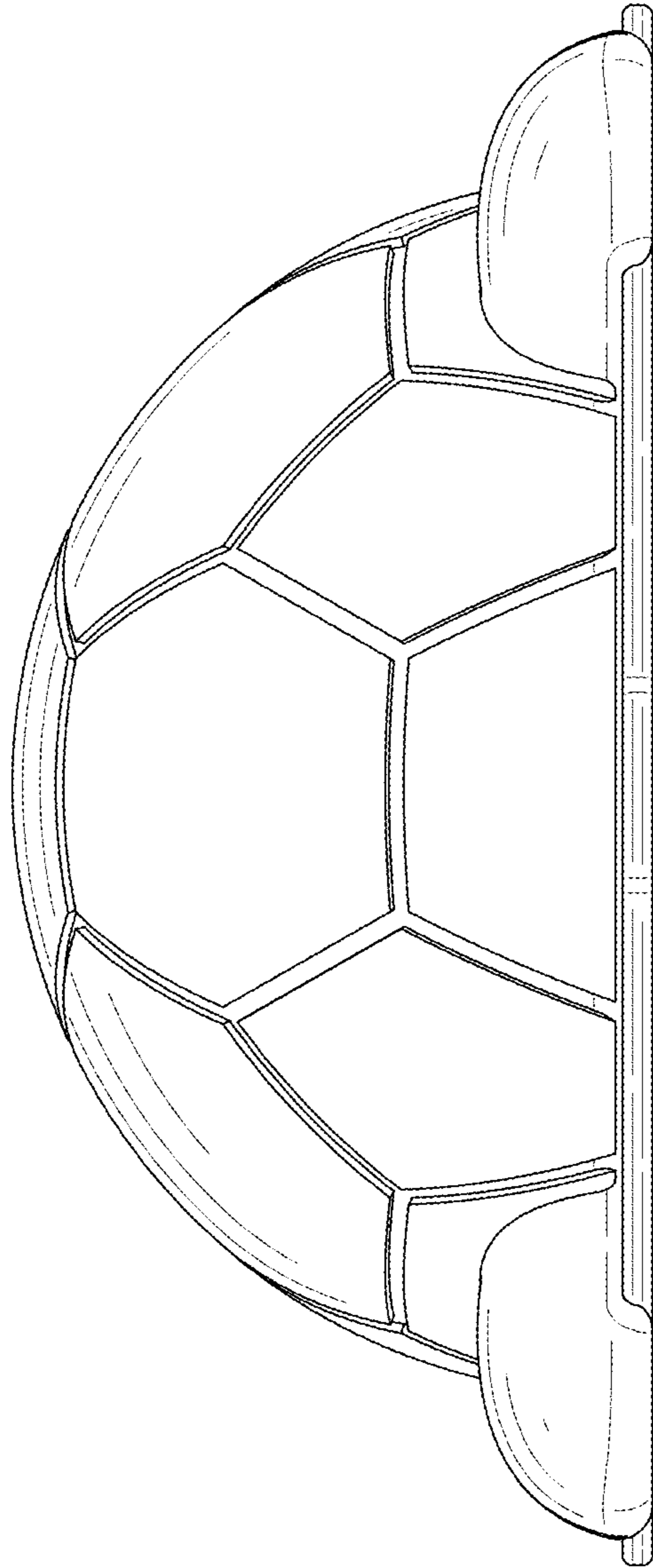


FIG. 4

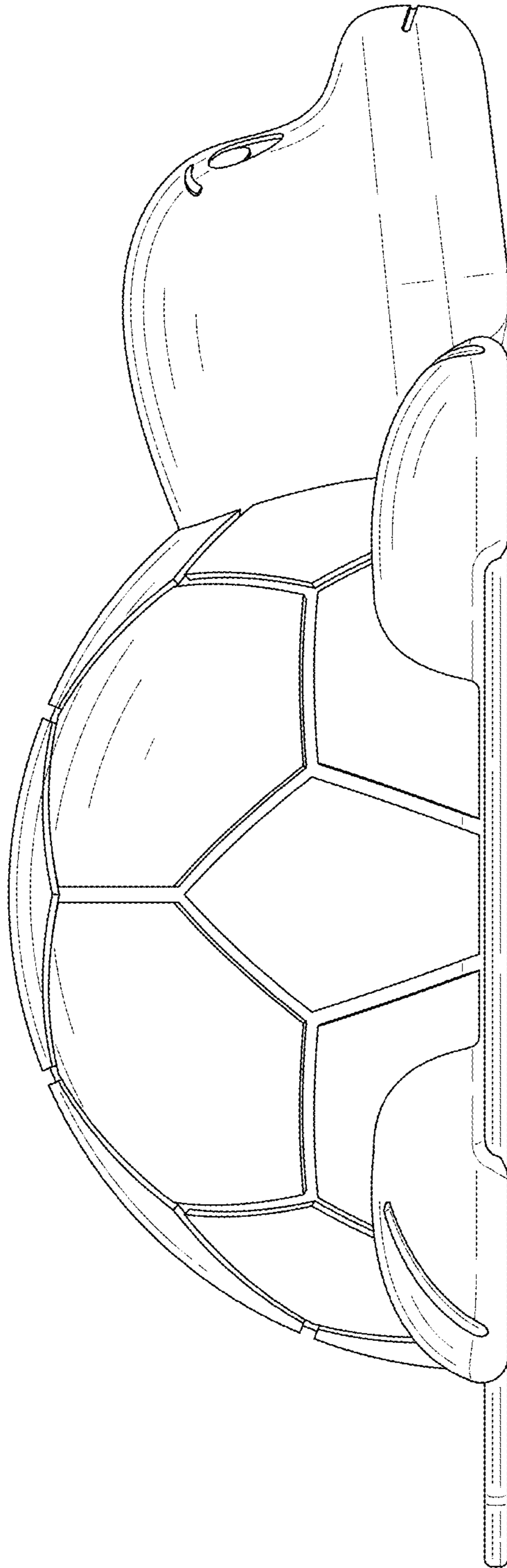


FIG. 5

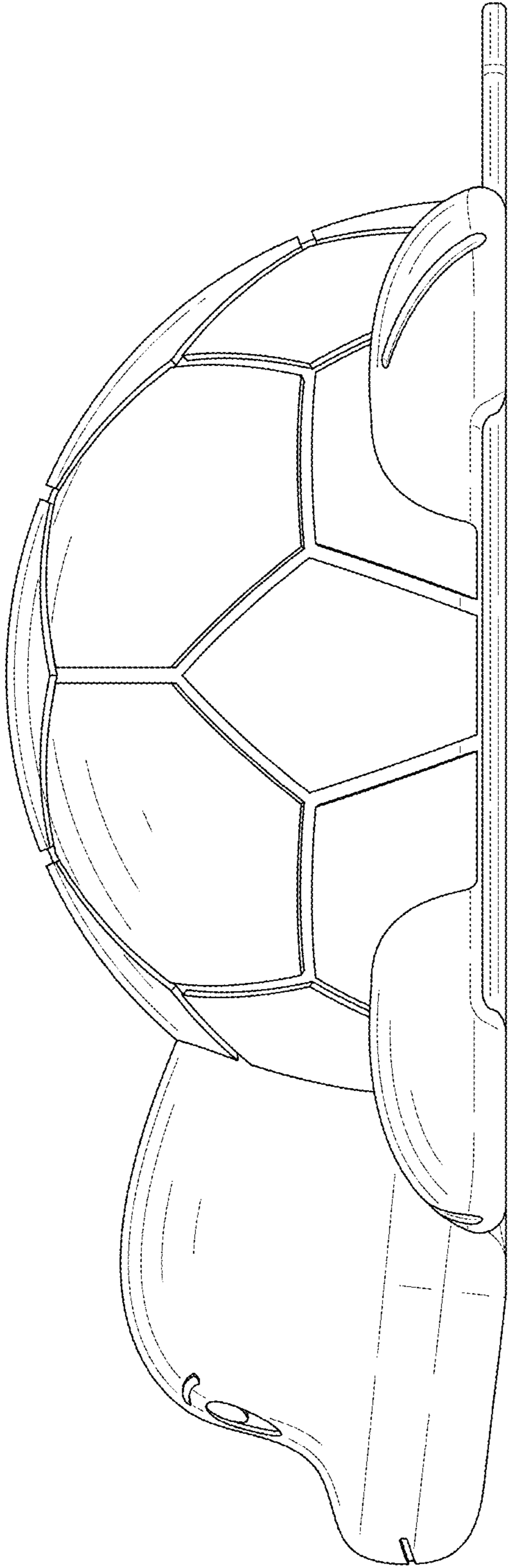


FIG. 6

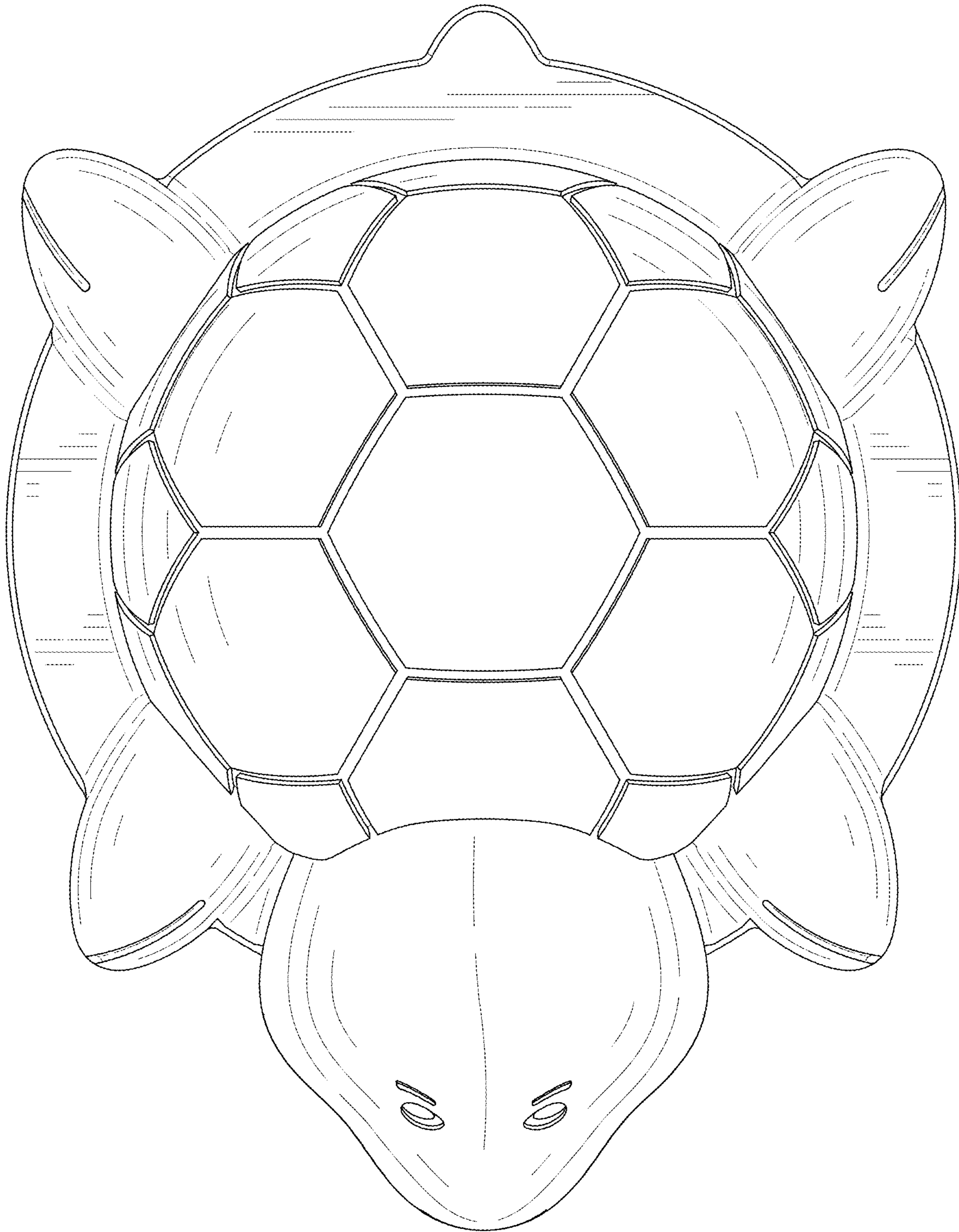


FIG. 7

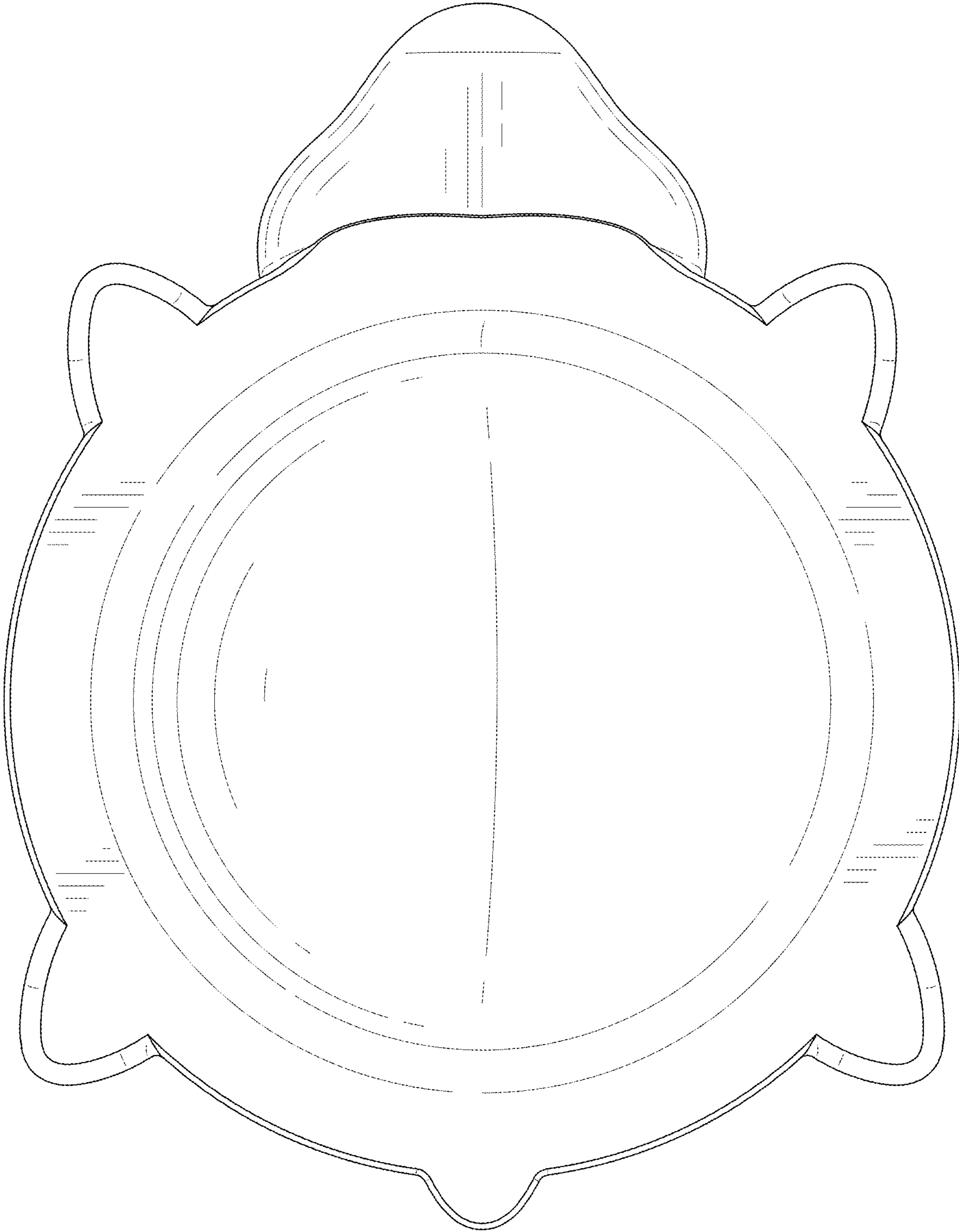


FIG. 8