



US00D952802S

(12) **United States Design Patent**
Haynes

(10) **Patent No.:** **US D952,802 S**

(45) **Date of Patent:** **** May 24, 2022**

(54) **PLUMBING FITTING**

(71) Applicant: **Lake Products Limited**, Auckland
(NZ)

(72) Inventor: **Andrew Leo Haynes**, Helensville (NZ)

(73) Assignee: **Lake Products Limited**, Auckland
(NZ)

(**) Term: **15 Years**

(21) Appl. No.: **29/722,685**

(22) Filed: **Jan. 31, 2020**

(51) **LOC (13) Cl.** **23-01**

(52) **U.S. Cl.**
USPC **D23/259**

(58) **Field of Classification Search**
USPC D23/259, 262–266, 245, 213, 233, 235;
D8/397; 285/249, 389, 33–34, 293.1;
138/96 R, 96 T, 109, 177–178
CPC F16L 57/005; E03F 5/04
See application file for complete search history.

(56) **References Cited**

U.S. PATENT DOCUMENTS

- | | | | | |
|---------------|---------|-------------|-------|------------|
| D28,656 S * | 5/1898 | Savage | | D23/262 |
| 4,139,023 A * | 2/1979 | Turley | | B65D 59/06 |
| | | | | 138/96 T |
| D354,554 S * | 1/1995 | Newman, Sr. | | D23/266 |
| D418,210 S * | 12/1999 | Roesch | | D23/262 |
| D445,170 S * | 7/2001 | Speicher | | D23/266 |
| D466,595 S * | 12/2002 | Glanville | | D23/259 |

- | | | | | |
|-------------------|---------|---------|-------|-------------|
| D613,818 S * | 4/2010 | Kojima | | D23/200 |
| D712,013 S * | 8/2014 | Mather | | D23/259 |
| D770,601 S * | 11/2016 | Melo | | D23/266 |
| D788,886 S * | 6/2017 | Salzer | | D23/259 |
| D816,191 S * | 4/2018 | Cove | | D23/259 |
| D899,564 S * | 10/2020 | Nachawi | | D23/213 |
| 2014/0232107 A1 * | 8/2014 | Raasch | | F16L 33/213 |
| | | | | 285/257 |

* cited by examiner

Primary Examiner — Amy C Wierenga

(74) *Attorney, Agent, or Firm* — Foley & Lardner LLP

(57) **CLAIM**

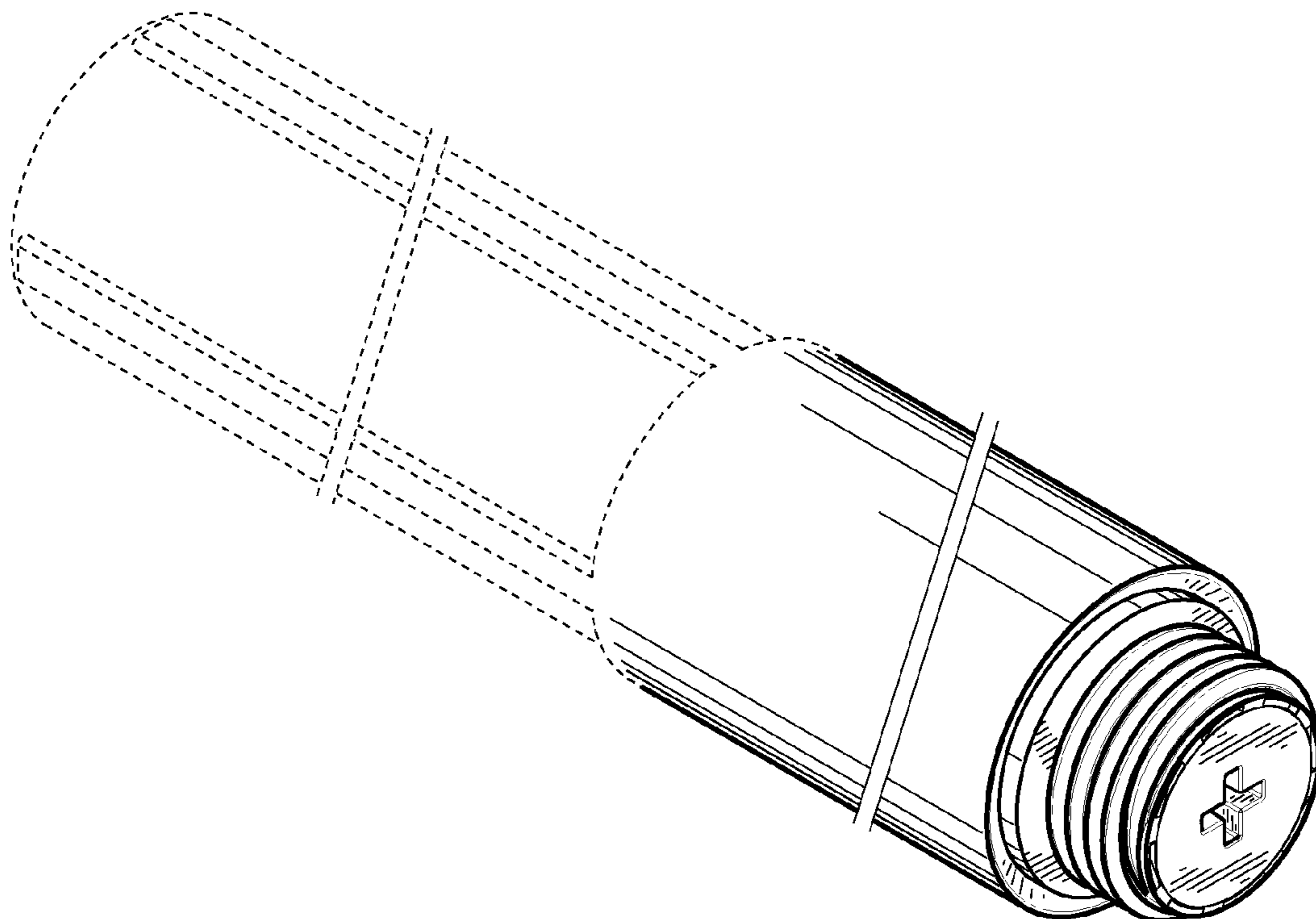
I claim the ornamental design for a plumbing fitting, as shown and described.

DESCRIPTION

FIG. 1 is a front perspective view of a plumbing fitting; FIG. 2 is a rear perspective view of the plumbing fitting of FIG. 1; FIG. 3 is a top view of the plumbing fitting of FIG. 1; FIG. 4 is a bottom view of the plumbing fitting of FIG. 1; FIG. 5 is a left side view of the plumbing fitting of FIG. 1; FIG. 6 is a right side view of the plumbing fitting of FIG. 1; FIG. 7 is a front view of the plumbing fitting of FIG. 1; and, FIG. 8 is a rear view of the plumbing fitting of FIG. 1.

The broken lines depict portions of the plumbing fitting that are for illustrative purposes only and form no part of the claimed design. The plumbing fitting is shown with a symbolic break in its length. The appearance of any portion of the plumbing fitting between the break lines forms no part of the claimed design.

1 Claim, 8 Drawing Sheets



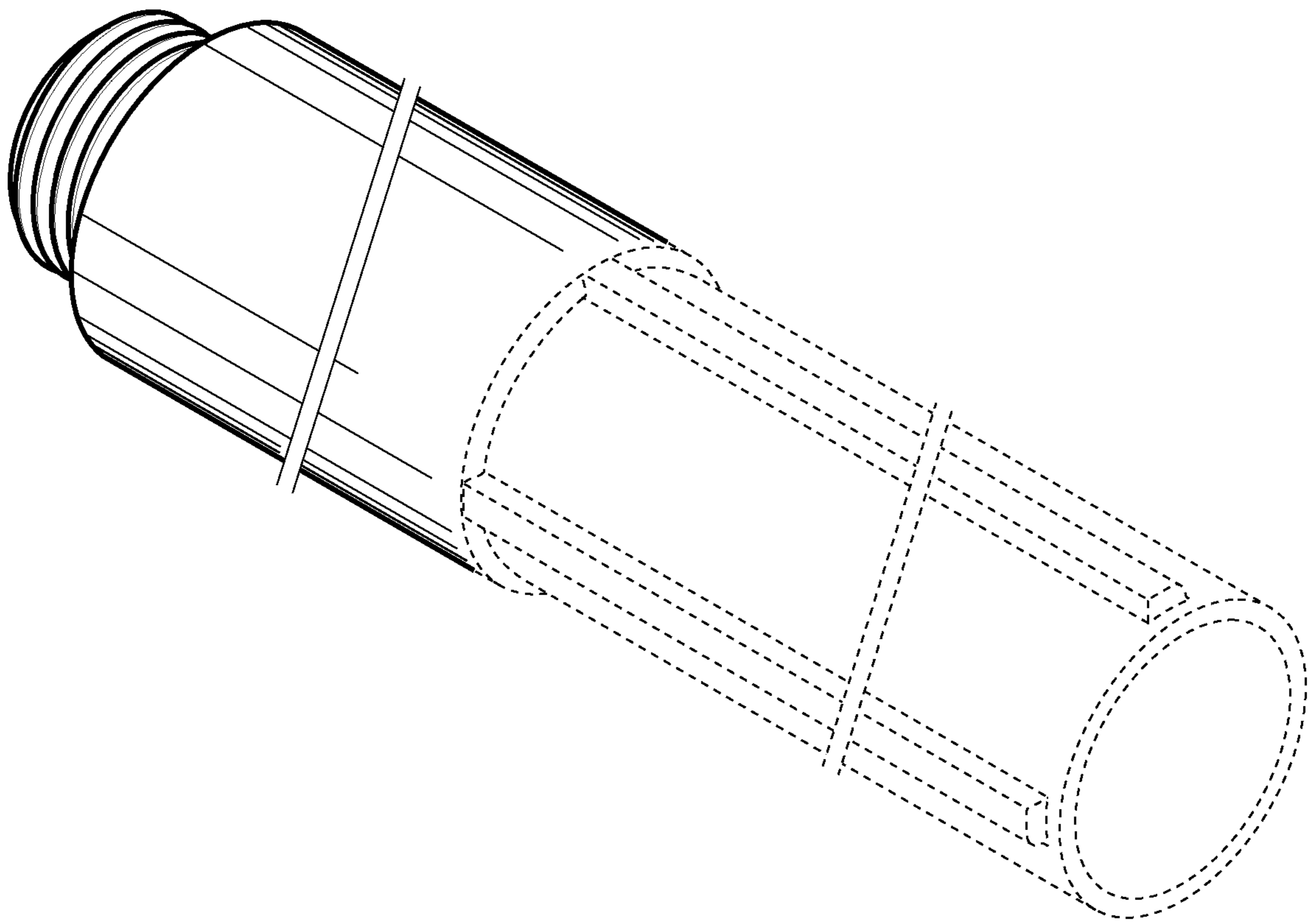


FIG. 1

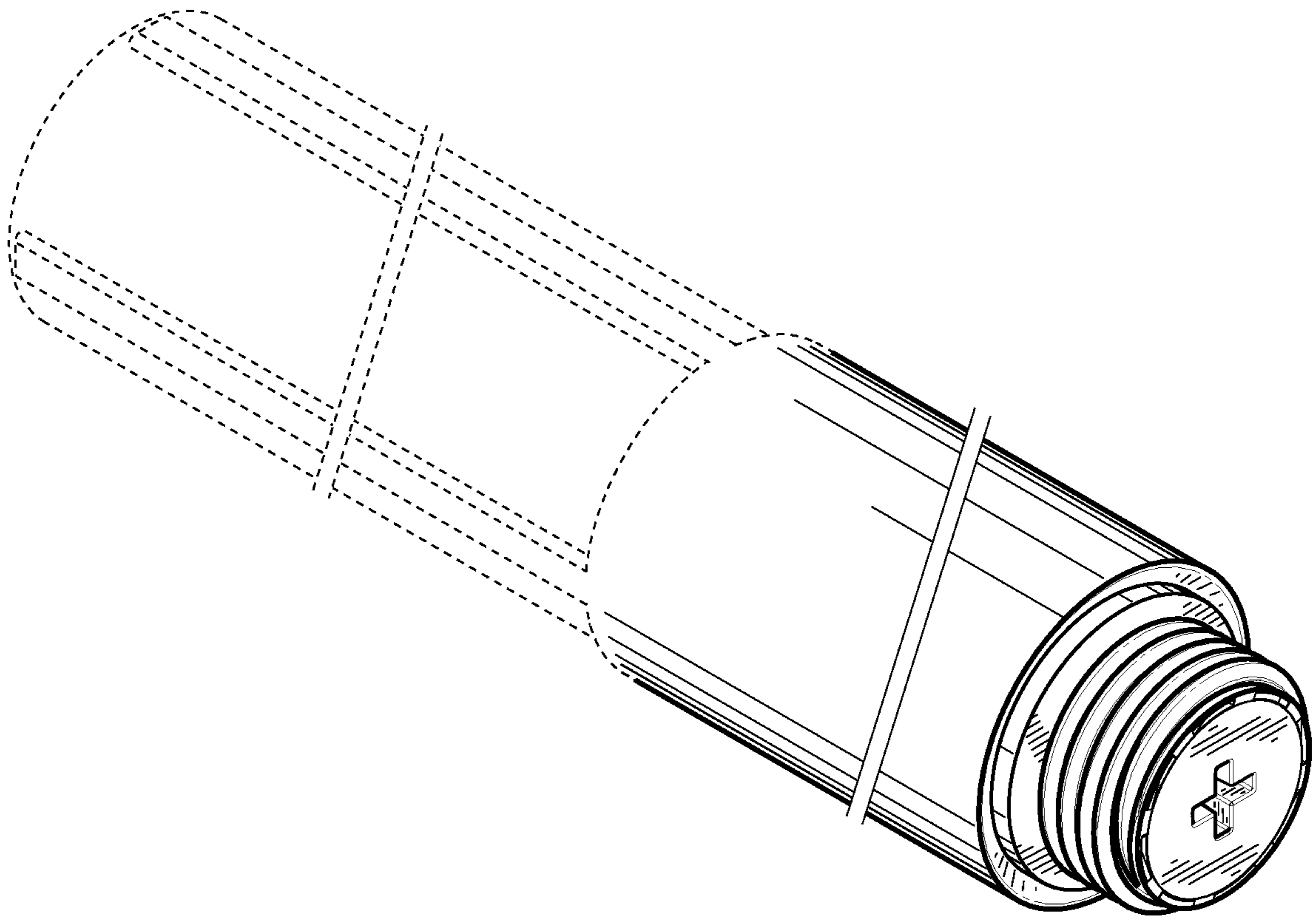


FIG. 2

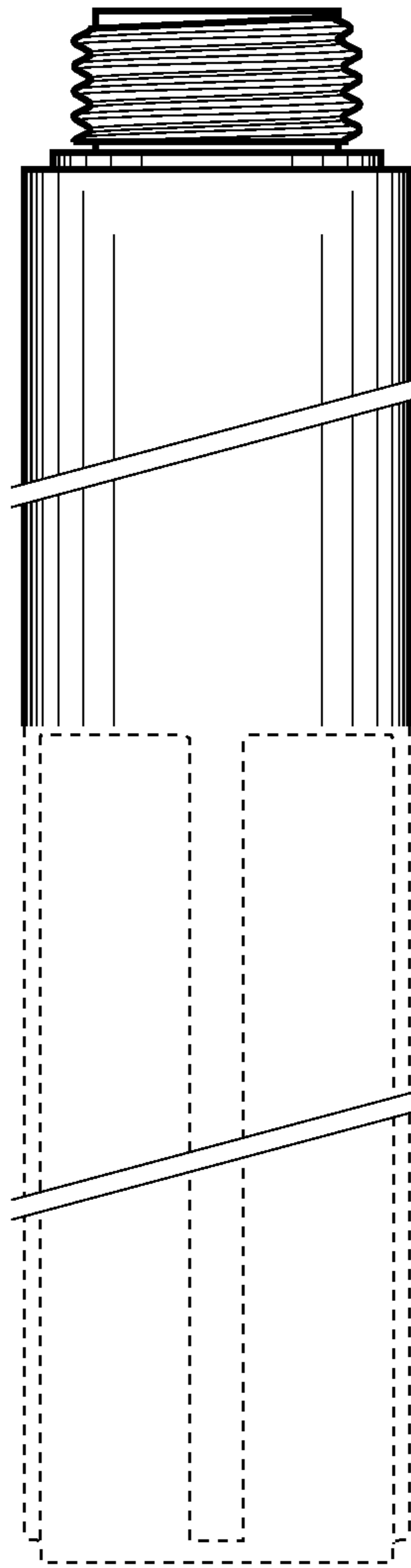


FIG. 3

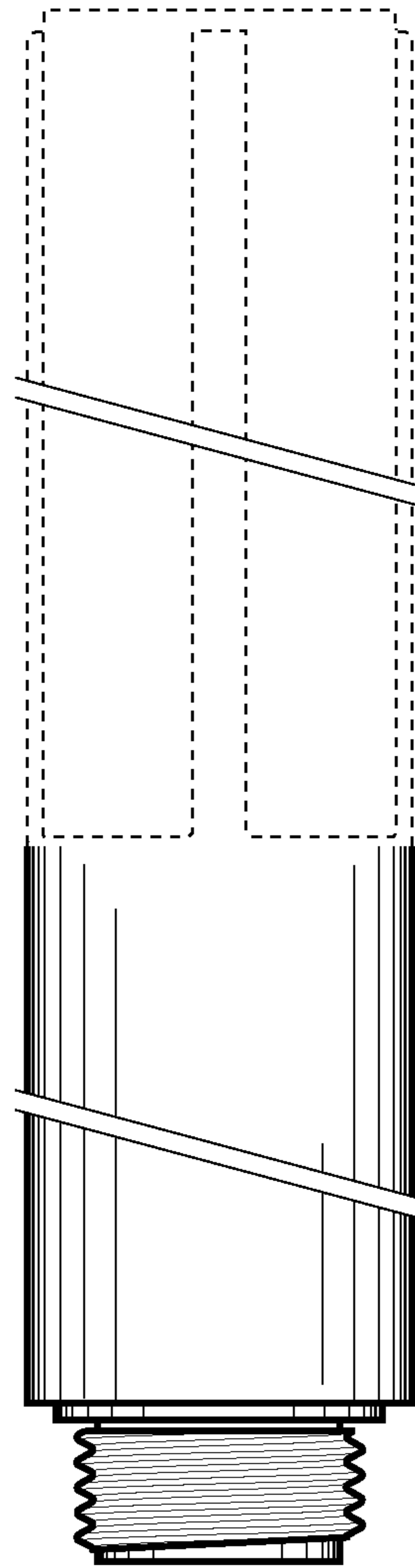


FIG. 4

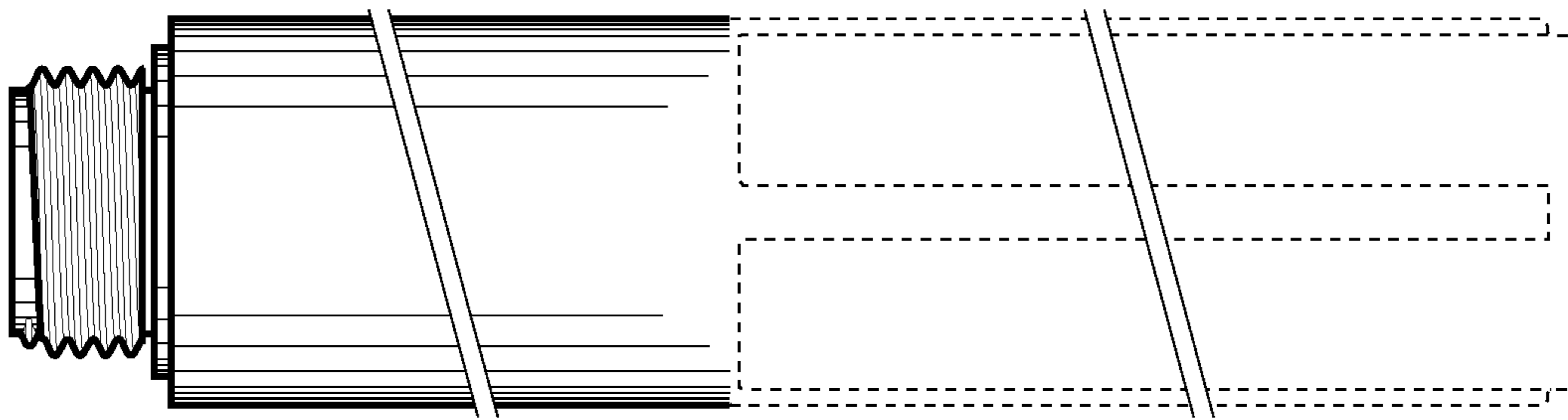


FIG. 5

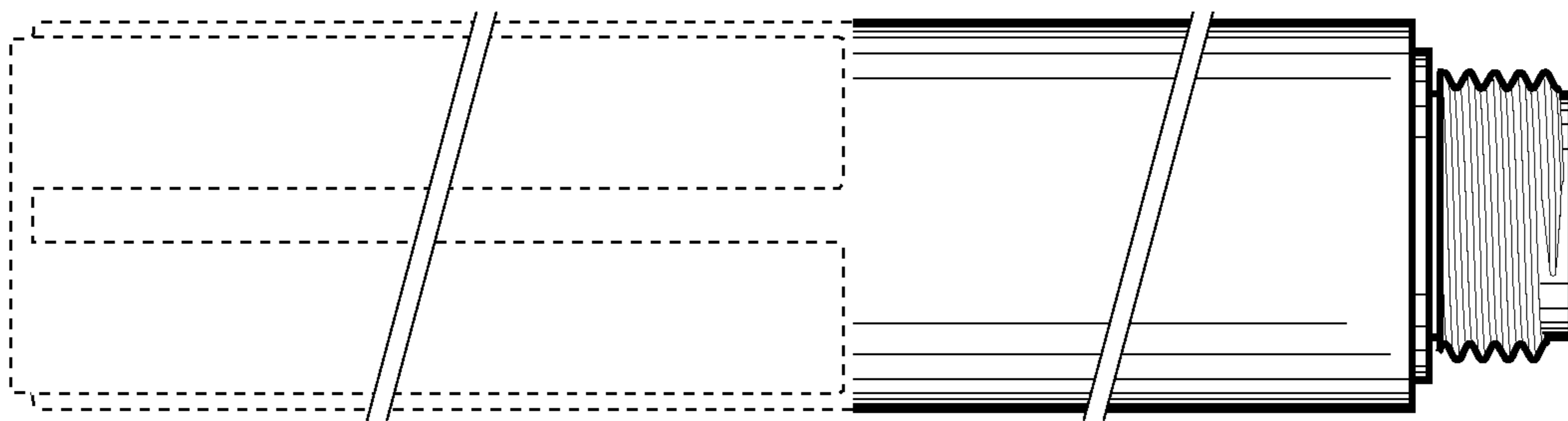


FIG. 6

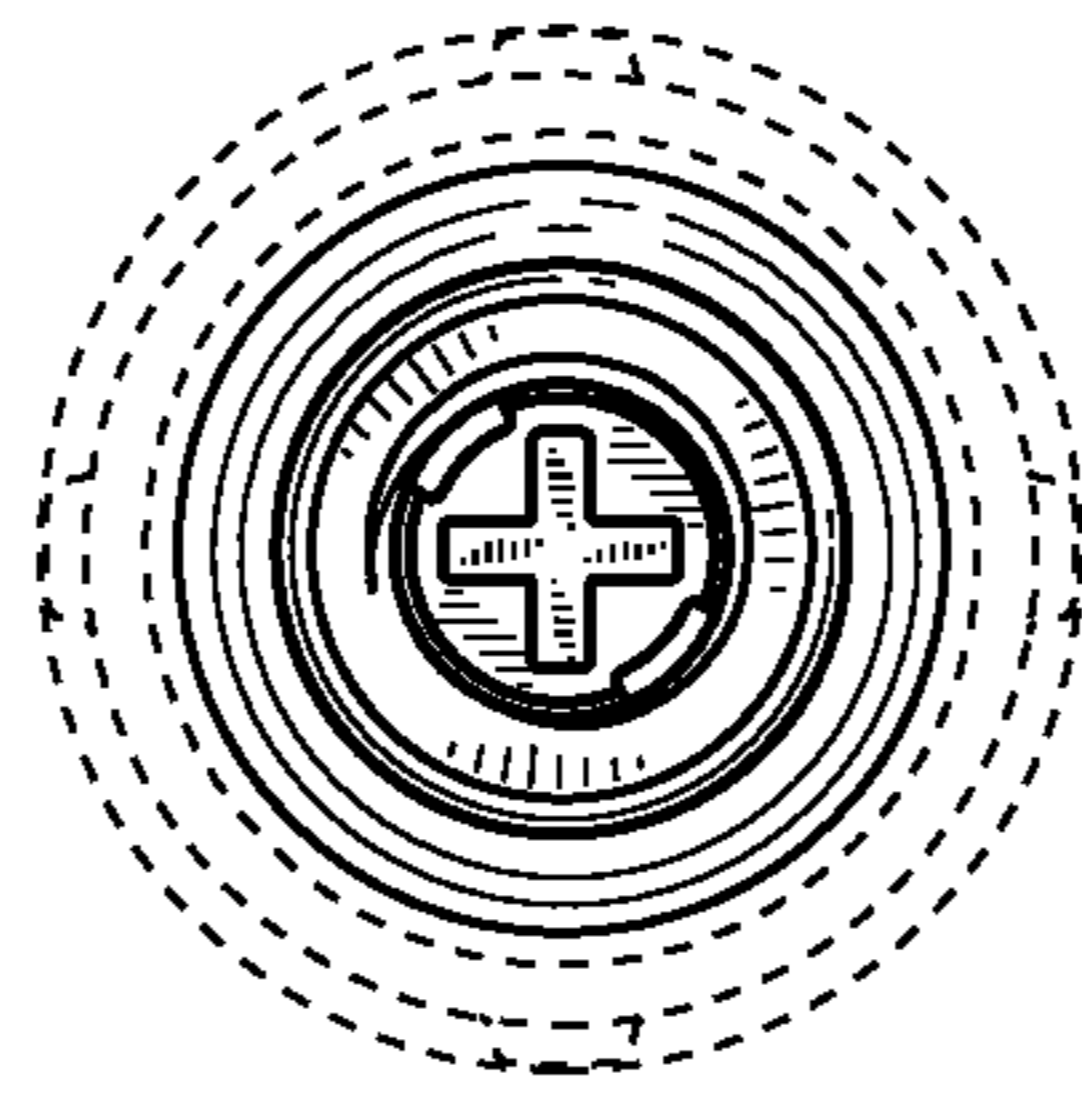


FIG. 7

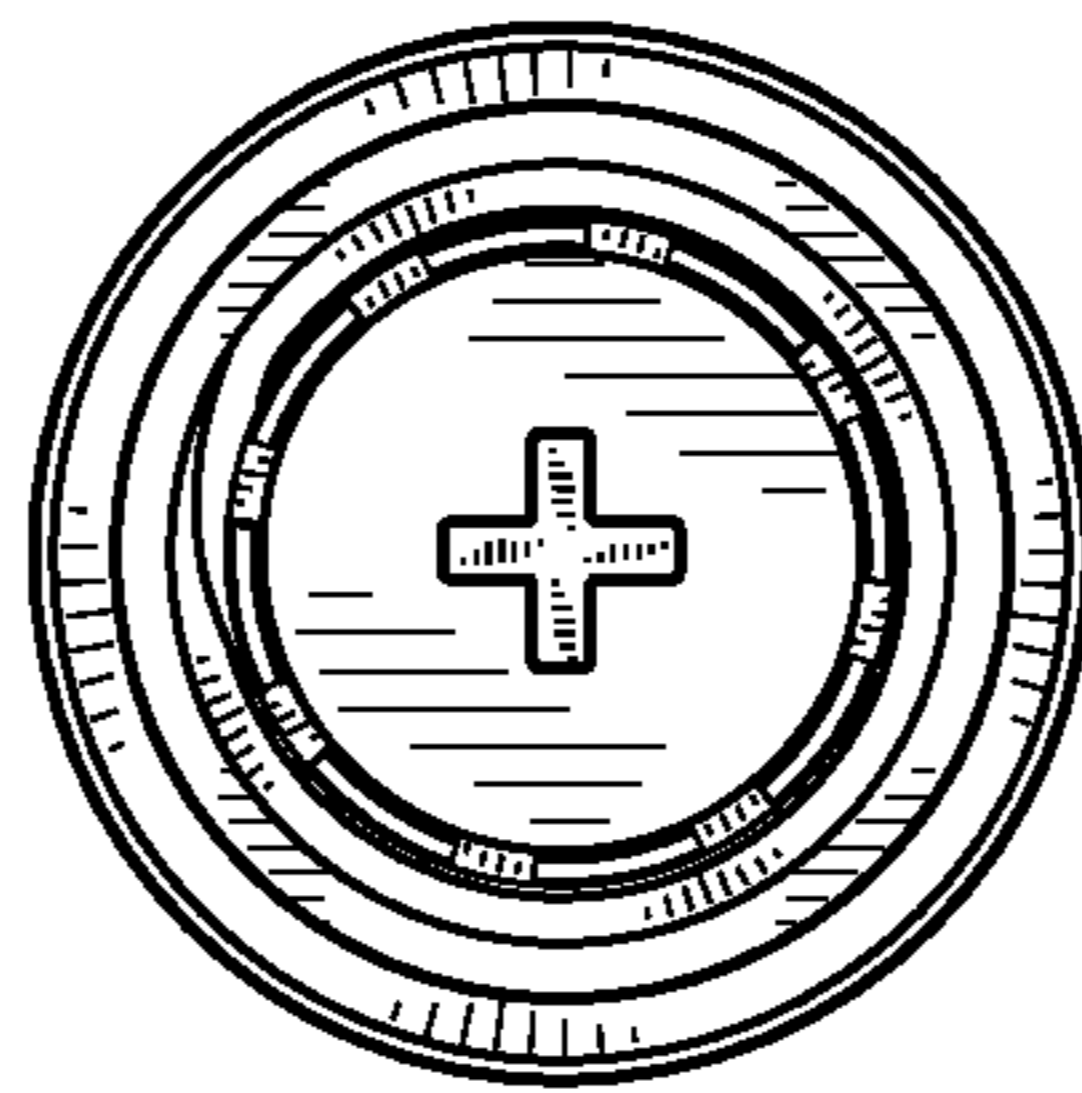


FIG. 8