



US00D952799S

(12) **United States Design Patent**
Yang et al.

(10) **Patent No.:** **US D952,799 S**

(45) **Date of Patent:** **** May 24, 2022**

(54) **FAUCET HANDLE**

(71) Applicant: **GLOBE UNION INDUSTRIAL CORP.**, Taichung (TW)

(72) Inventors: **Yu-Chien Yang**, Taichung (TW);
Wei-Jen Chen, Taichung (TW)

(73) Assignee: **GLOBE UNION INDUSTRIAL CORP.**, Taichung (TW)

(**) Term: **15 Years**

(21) Appl. No.: **29/734,545**

(22) Filed: **May 13, 2020**

(51) **LOC (13) Cl.** **23-01**

(52) **U.S. Cl.**
USPC **D23/252**

(58) **Field of Classification Search**
USPC D23/238, 239, 240, 241, 242, 243, 246,
D23/247, 249, 250, 251, 252, 253;
D8/300, 307, 308
CPC . E03C 1/01; E03C 1/04; E03C 1/0401; E03C
1/0402; E03C 1/0405; E03C 1/0408;
E03C 1/025; E03C 1/0409; E03C 1/0412;
Y10T 137/5339; Y10T 137/6014; Y10T
137/6021

See application file for complete search history.

(56) **References Cited**

U.S. PATENT DOCUMENTS

D362,489 S	*	9/1995	Moon	D23/252
D375,785 S	*	11/1996	Spano	D23/252
D441,844 S	*	5/2001	Fleischmann	D23/252
D462,421 S	*	9/2002	Hundley	D23/254
D487,586 S	*	3/2004	Haug	D23/252
D531,702 S	*	11/2006	Haug	D23/252
D541,909 S	*	5/2007	Schonherr	D23/252
D709,166 S	*	7/2014	Yu	D23/238
D713,013 S	*	9/2014	Schoenherr	D23/252
D734,837 S	*	7/2015	Sieger	D23/242

D735,841 S	*	8/2015	Obara	D23/313
D745,360 S	*	12/2015	Sun	D8/308
D748,746 S	*	2/2016	Eder	D21/694
D837,945 S	*	1/2019	Soulier	D23/254

(Continued)

FOREIGN PATENT DOCUMENTS

CN	201730680935	*	12/2017
CN	201830275468	*	6/2018
CN	201930748581.0	*	12/2019

(Continued)

OTHER PUBLICATIONS

Amazon, Eridanus Bathroom Basin Taps Mixer, posted Dec. 12, 2020, [online], [visited Feb. 22, 2022]. Internet, <URL: <https://www.amazon.co.uk/Eridanus-Bathroom-Polishing-Stainless-Washroom/dp/B08QFGRGZ5/ref>> (Year: 2020).*

(Continued)

Primary Examiner — Samantha Wood

(74) *Attorney, Agent, or Firm* — Muncy, Geissler, Olds & Lowe, P.C.

(57) **CLAIM**

The ornamental design for a faucet handle, as shown and described.

DESCRIPTION

FIG. 1 is a perspective view of a faucet handle of the present design;

FIG. 2 is a front elevational view thereof;

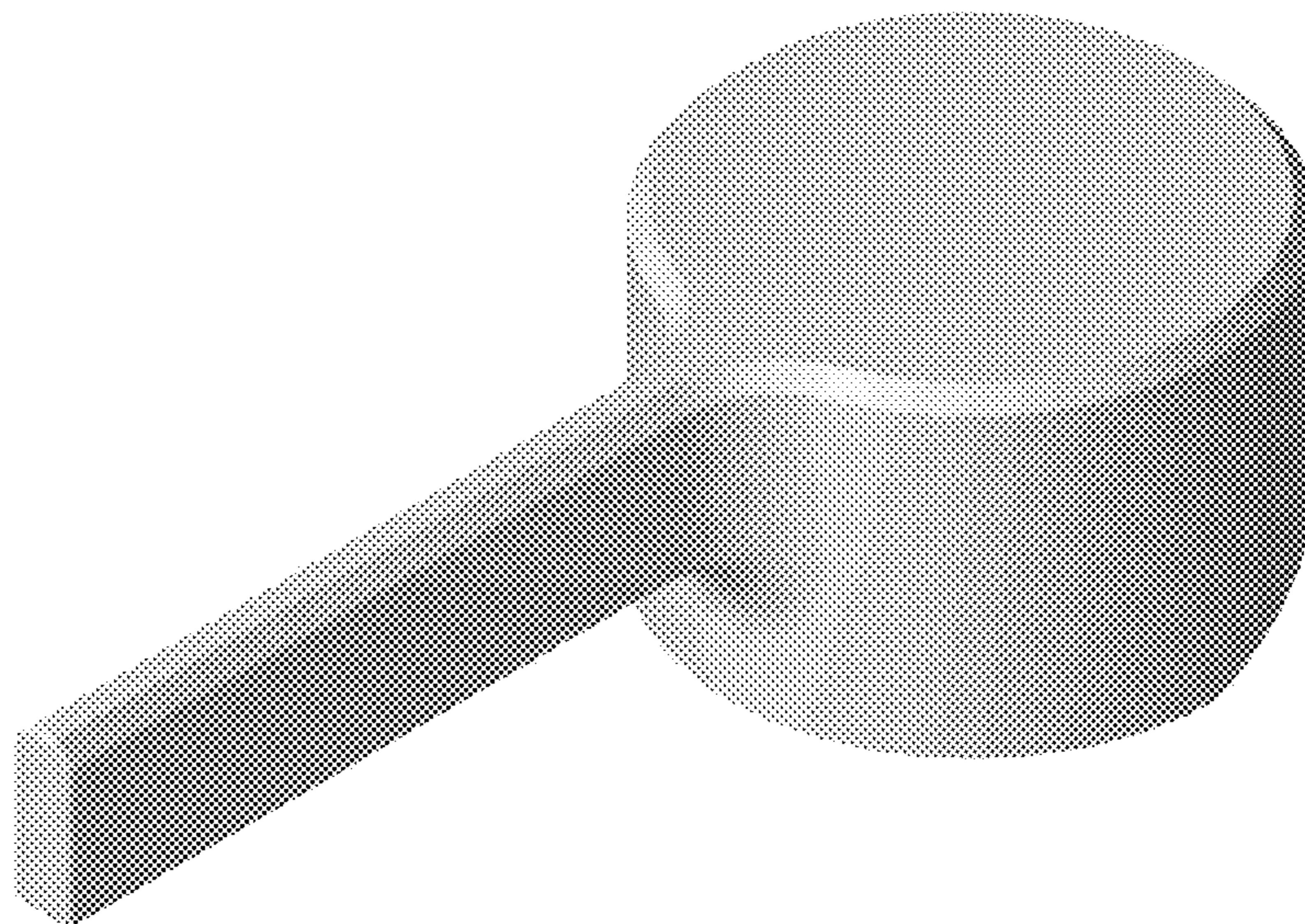
FIG. 3 is a rear elevational view thereof;

FIG. 4 is a left side elevational view thereof, the right side being a mirror image; and,

FIG. 5 is a top view thereof.

The bottom of the faucet handle of the present design is not visible during normal use, such that the bottom view is omitted.

1 Claim, 5 Drawing Sheets



(56)

References Cited

U.S. PATENT DOCUMENTS

D905,205 S * 12/2020 Zhang D23/252
D914,148 S * 3/2021 Flaig D23/238

FOREIGN PATENT DOCUMENTS

CN 202030439160.2 * 8/2020
EM 003157304-0012 * 5/2016
JP D2020-2374 * 2/2020

OTHER PUBLICATIONS

Amazon, AguaStella Stainless Steel Bar Faucet, posted Apr. 9, 2019, [online], [visited Feb. 22, 2022]. Internet, <URL: <https://www.amazon.co.uk/AguaStella-AS1010SS-Stainless-Faucet-Kitchen/dp/B09CYJD6WK/ref>> (Year: 2019).*

TotoUSA, GF Single Lavatory Faucet-Vessel, created Nov. 12, 2021, [online], [visited Feb. 23, 2022]. Internet, <URL: https://www.totousa.com/filemanager_uploads/product_assets/SpecSheet/SS-01615_TLG11305U.pdf> (Year: 2021).*

* cited by examiner

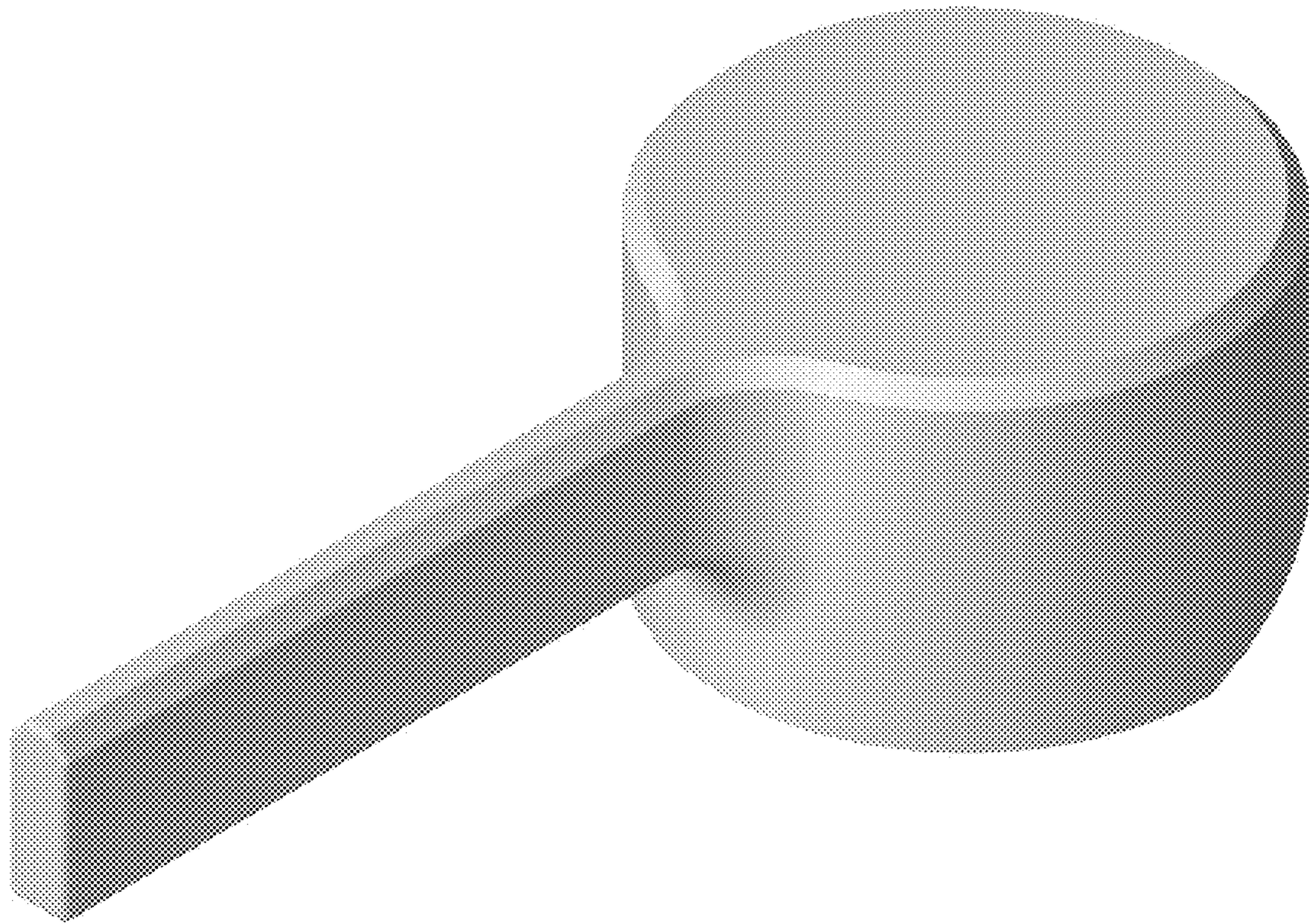


FIG. 1

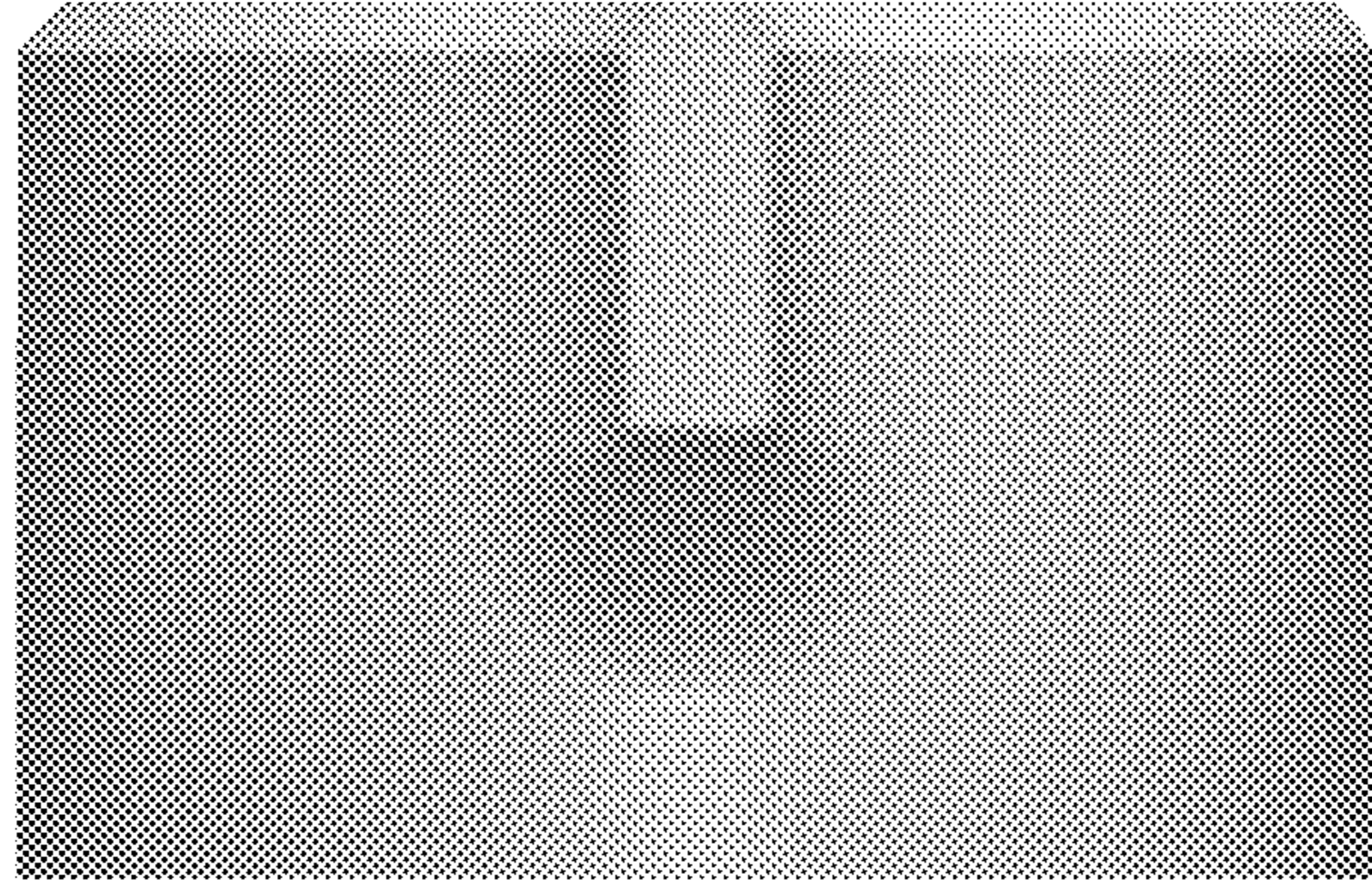


FIG. 2

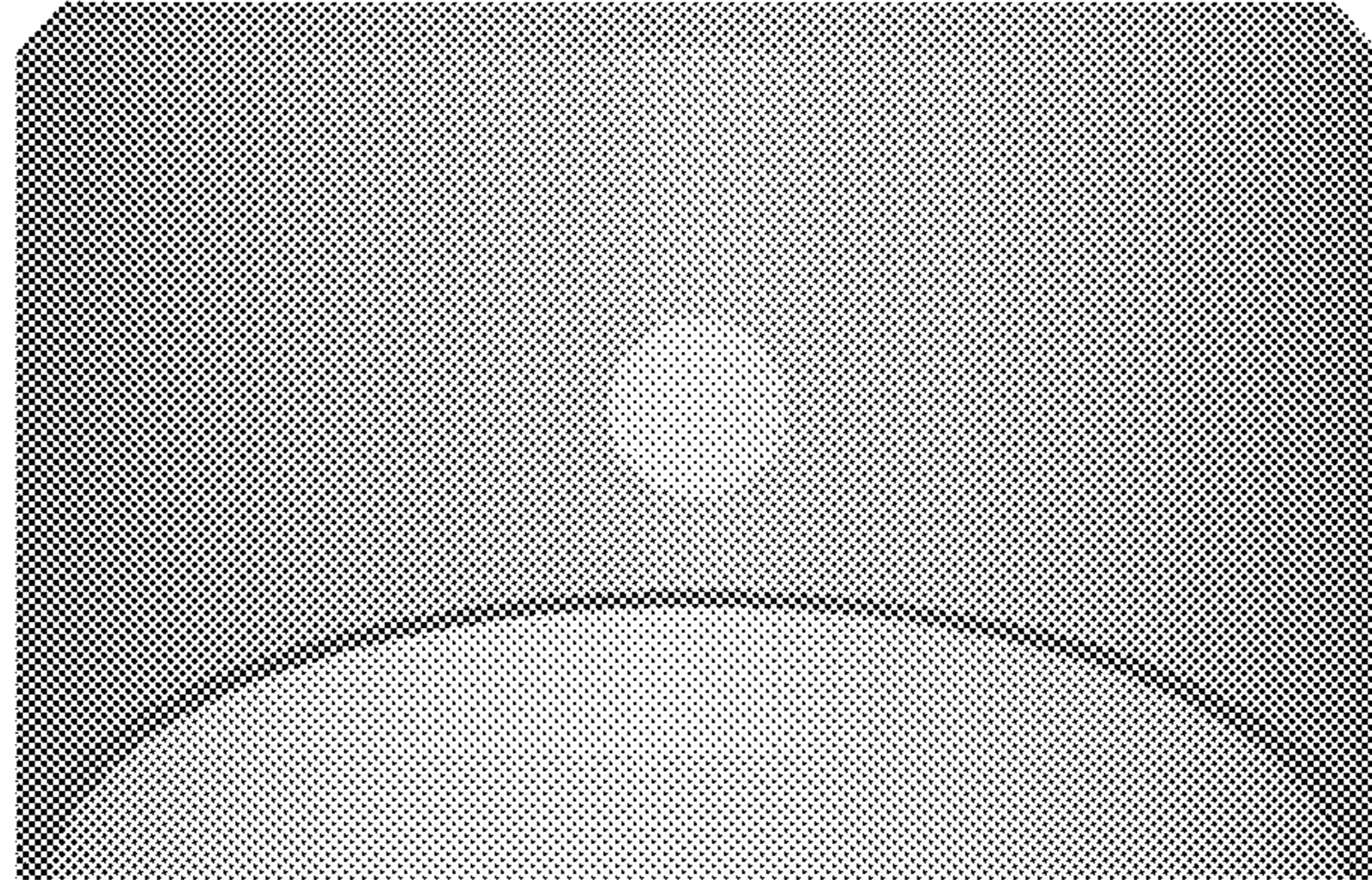


FIG. 3

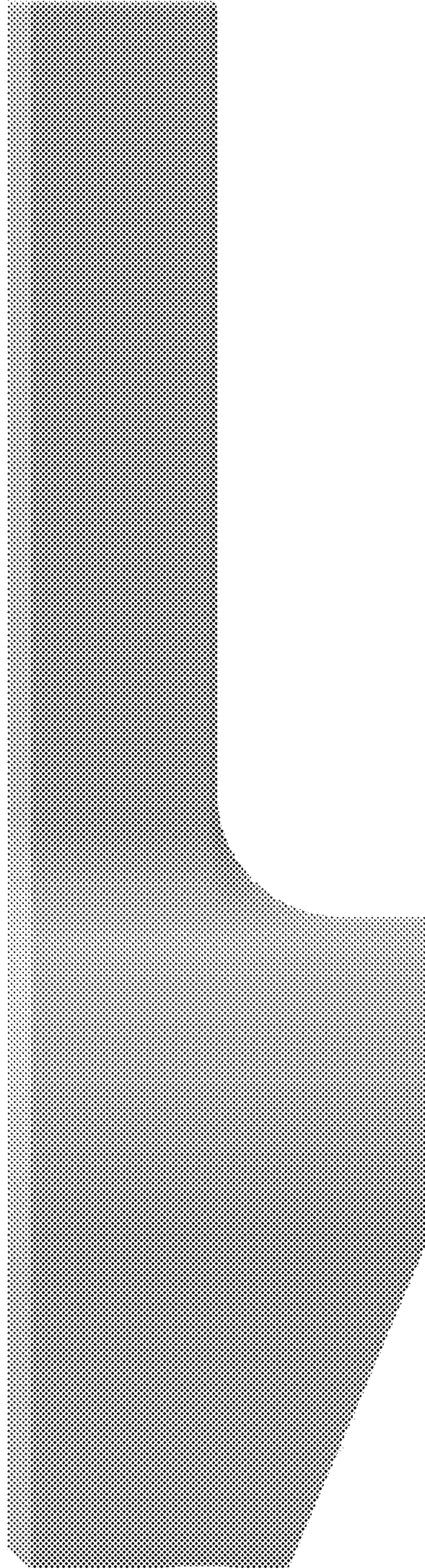


FIG. 4

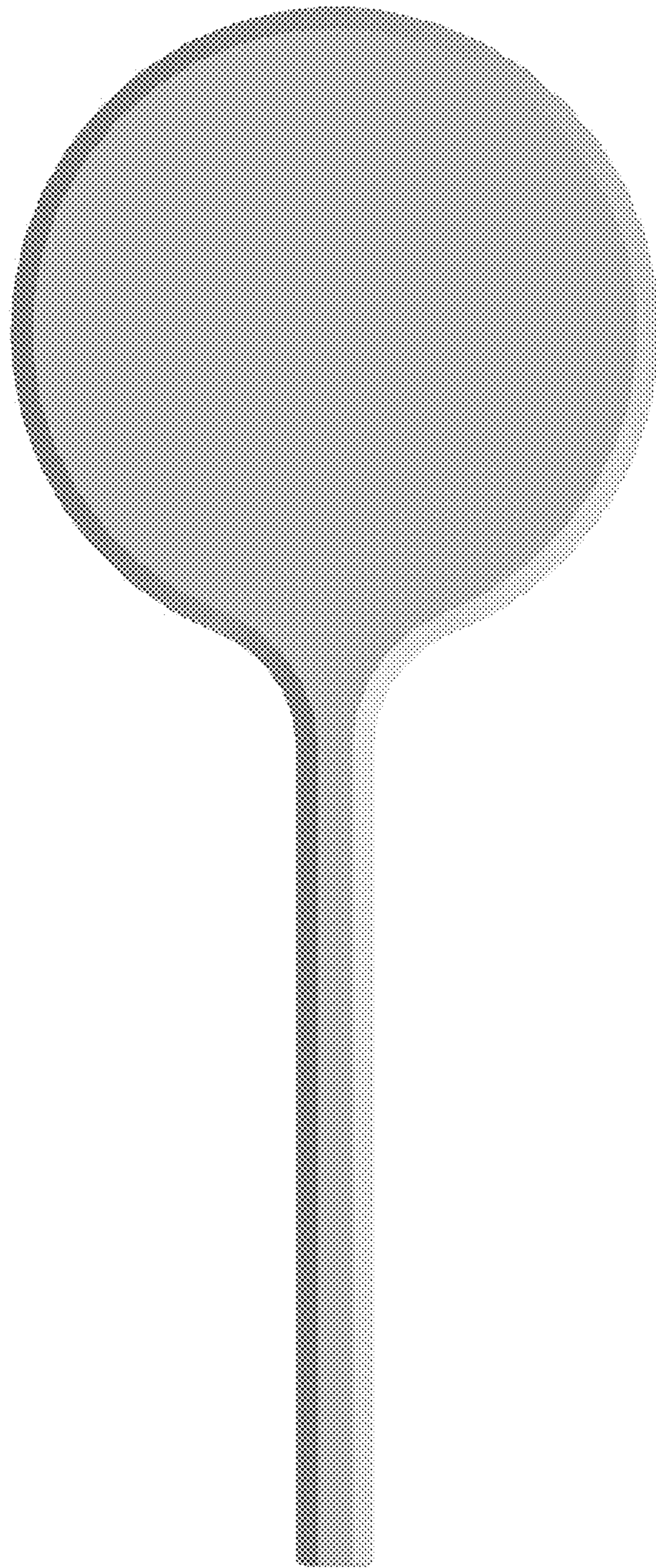


FIG. 5