



US00D952798S

(12) **United States Design Patent** (10) **Patent No.:** **US D952,798 S**
Lazarini et al. (45) **Date of Patent:** **** May 24, 2022**

(54) **FAUCET**
(71) Applicant: **DELTA FAUCET COMPANY,**
Indianapolis, IN (US)
(72) Inventors: **Alejandra Lazarini,** Carmel, IN (US);
Celine Kwok Garland, Zionsville, IN
(US)
(73) Assignee: **DELTA FAUCET COMPANY,**
Indianapolis, IN (US)
(**) Term: **15 Years**
(21) Appl. No.: **29/749,940**
(22) Filed: **Sep. 10, 2020**
(51) **LOC (13) Cl.** **23-01**
(52) **U.S. Cl.**
USPC **D23/238**
(58) **Field of Classification Search**
USPC D23/257, 259, 249, 234–238, 240–248,
D23/250–256
CPC E03C 1/01; E03C 1/0409; E03C 1/025;
E03C 1/0408; E03C 1/04; E03C 1/0401;
E03C 1/0402; E03C 1/0405; E03C
1/0412; Y10T 137/5339; Y10T 137/6014;
Y10T 137/6021
See application file for complete search history.

D752,717 S * 3/2016 Eads D23/238
D817,453 S * 5/2018 Wang D23/238
D823,987 S * 7/2018 Downey D23/238
D840,506 S * 2/2019 Garland D23/238
D896,347 S * 9/2020 Lazarini D23/238
D900,968 S * 11/2020 Garland D23/238
D900,971 S * 11/2020 Takahashi D23/238

FOREIGN PATENT DOCUMENTS

CN 201030248757 * 7/2010
CN 201230008623 * 1/2012
CN 201330025789 * 1/2013
CN 201430100797 * 4/2014

OTHER PUBLICATIONS

Amazon, asdfg Centerset Single handle antique brass mixer tap,
posted Oct. 27, 2017, [online], [visited Oct. 21, 2021]. Internet,
<URL: <https://www.amazon.co.uk/Centerset-Single-Handle-Antique-Bathroom/dp/B076XZY1NC/ref>> (Year: 2017).*

* cited by examiner

Primary Examiner — Samantha Wood
(74) *Attorney, Agent, or Firm* — Nirav D. Parikh; Edgar
A. Zarins

(57) **CLAIM**

The ornamental design for a faucet, as shown and described.

DESCRIPTION

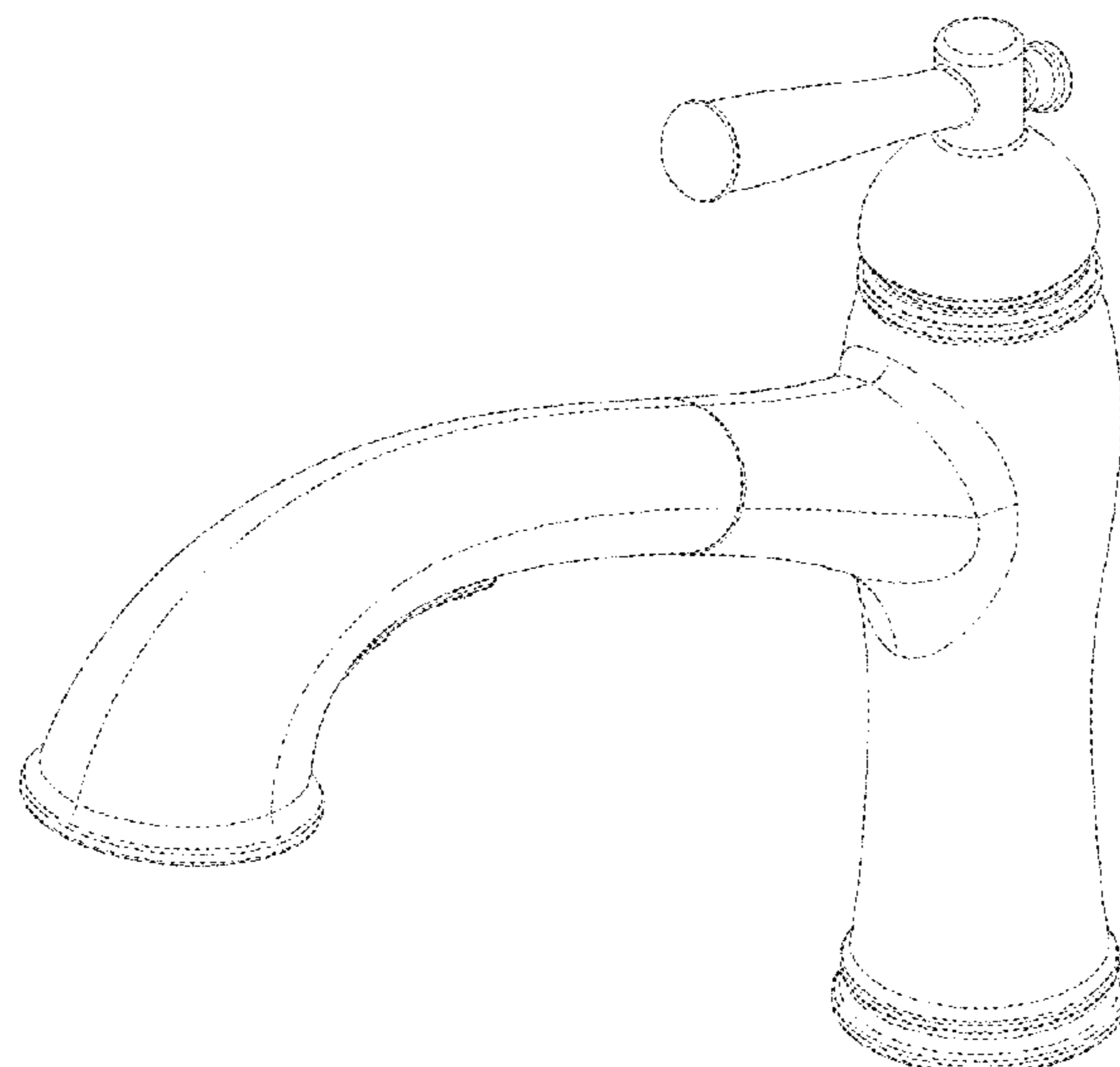
FIG. 1 is a front perspective view of a faucet showing our
new design;
FIG. 2 is a rear perspective view thereof;
FIG. 3 is a front elevational view thereof;
FIG. 4 is a left side view thereof;
FIG. 5 is a rear view thereof;
FIG. 6 is a right side view thereof;
FIG. 7 is a top plan view thereof; and,
FIG. 8 is a bottom view thereof.

1 Claim, 4 Drawing Sheets

(56) **References Cited**

U.S. PATENT DOCUMENTS

D414,546 S * 9/1999 Cosolito D23/238
D458,666 S * 6/2002 Mark D23/238
D476,396 S * 6/2003 Hanna D23/238
D551,323 S * 9/2007 Krump D23/238
D569,950 S * 5/2008 Williams D23/238
D584,800 S * 1/2009 Zhang D23/238
D609,308 S * 2/2010 Fritz D23/238
D620,559 S * 7/2010 Romero D23/238
D622,362 S * 8/2010 Kosasih D23/255
D713,507 S * 9/2014 Potter D23/238



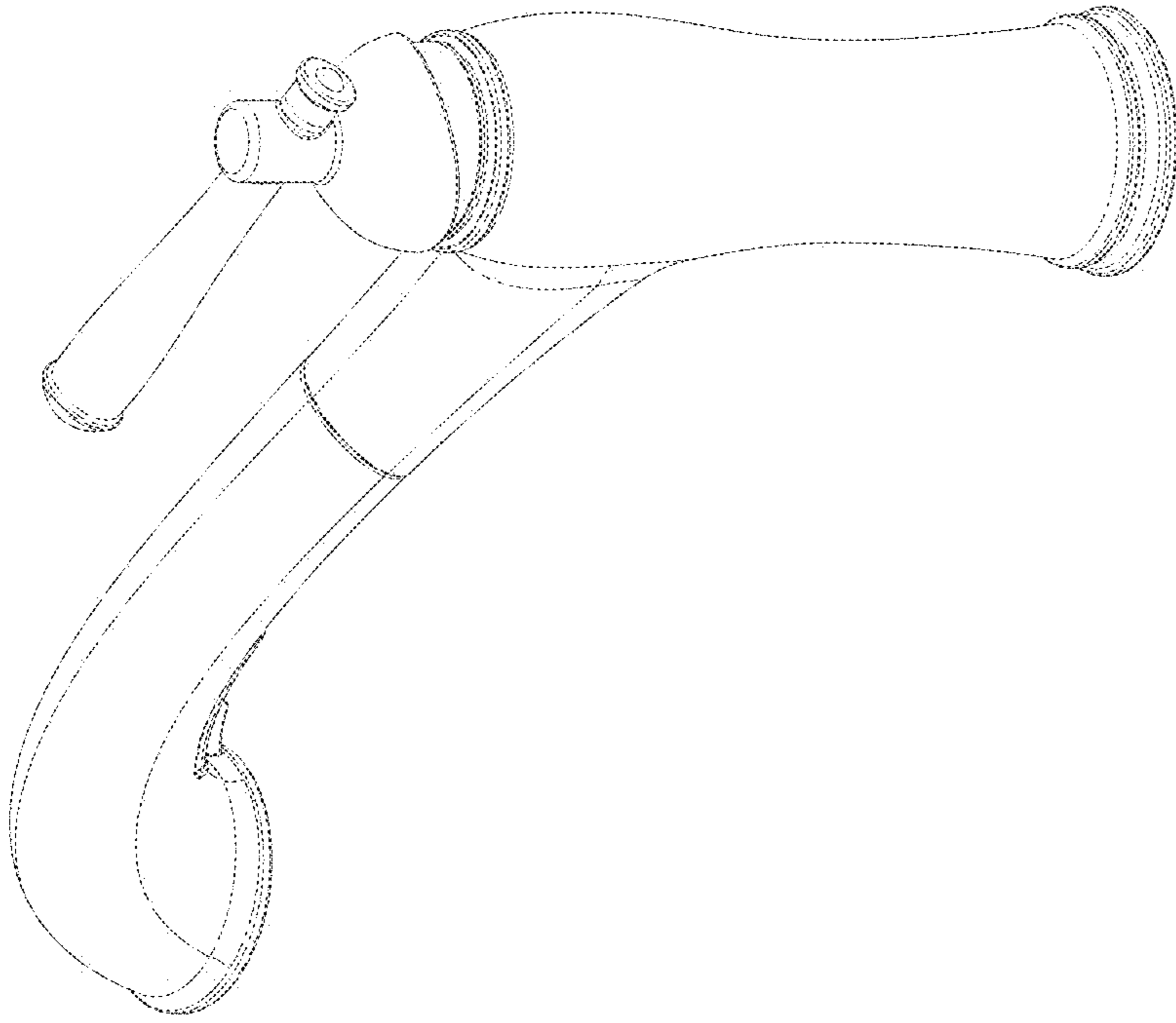


FIG - 2

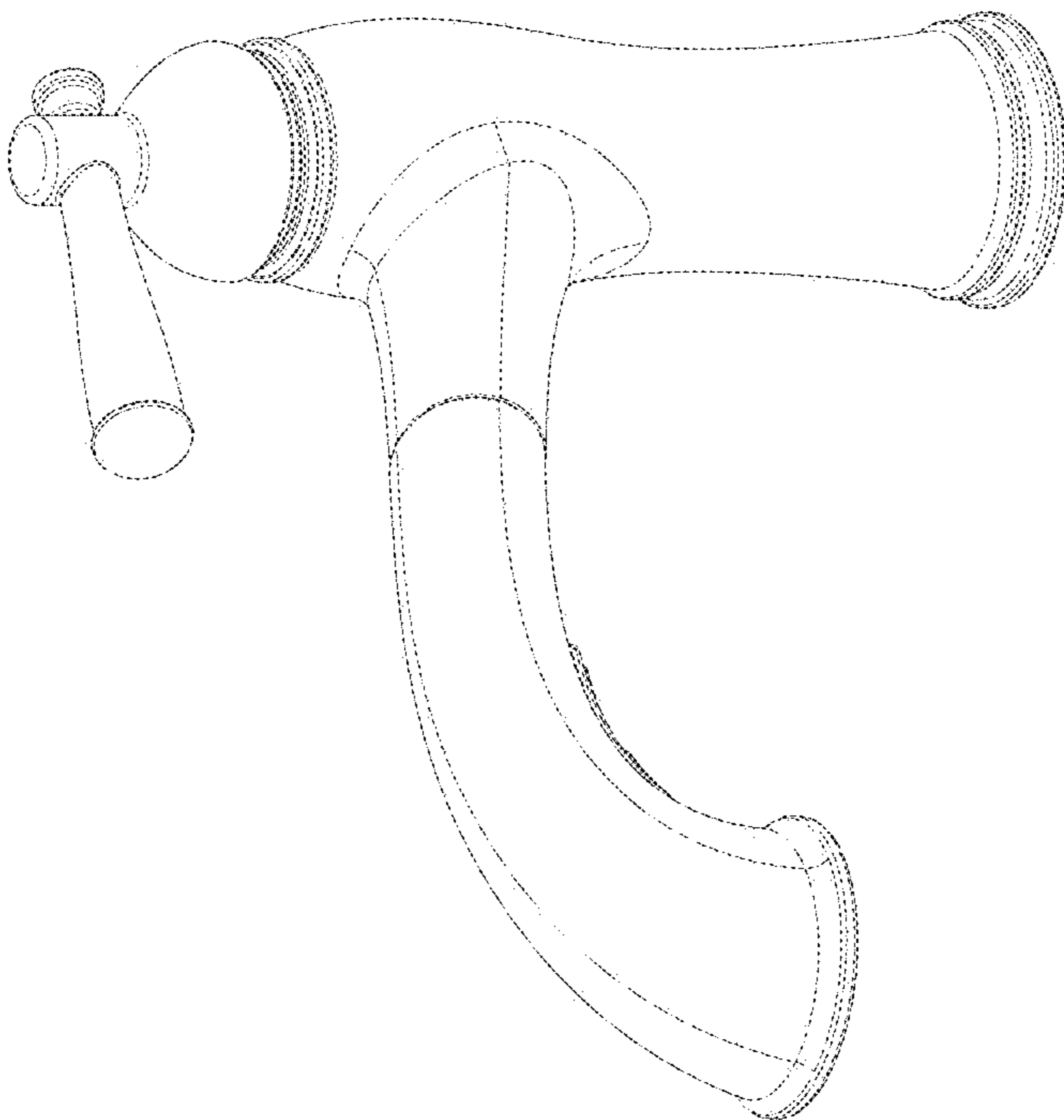


FIG - 1

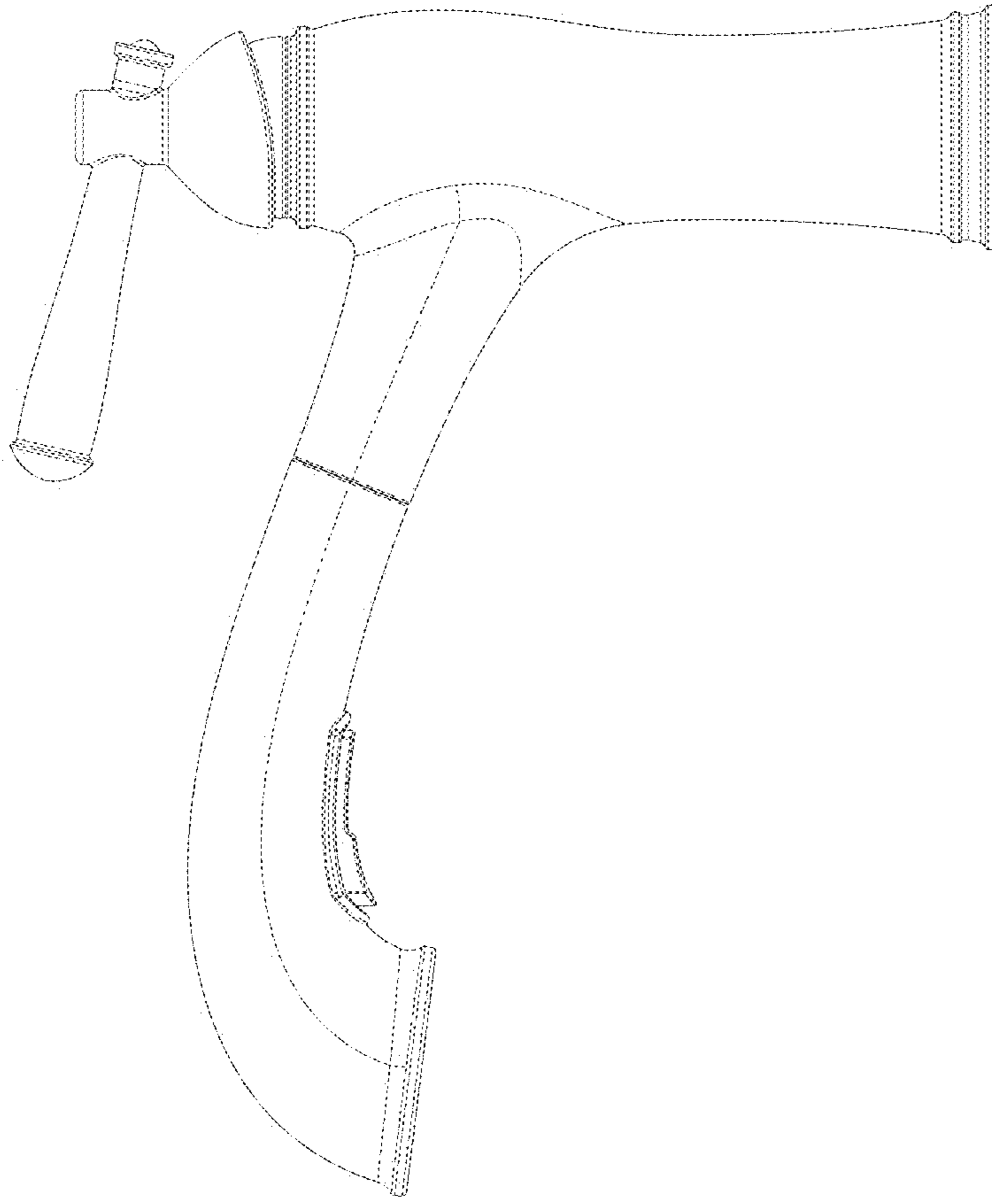


FIG - 4

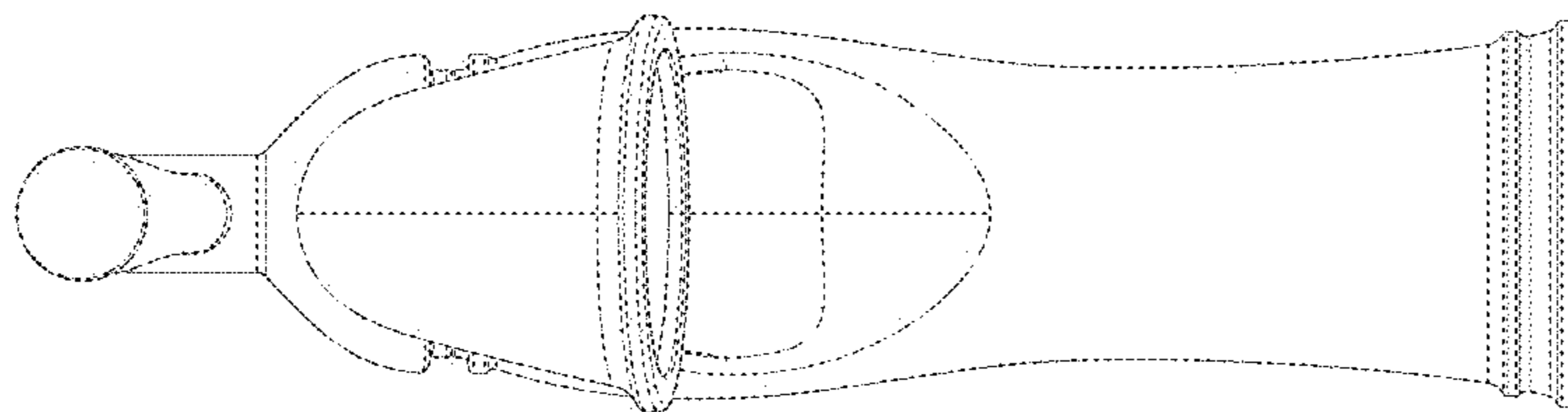


FIG - 3

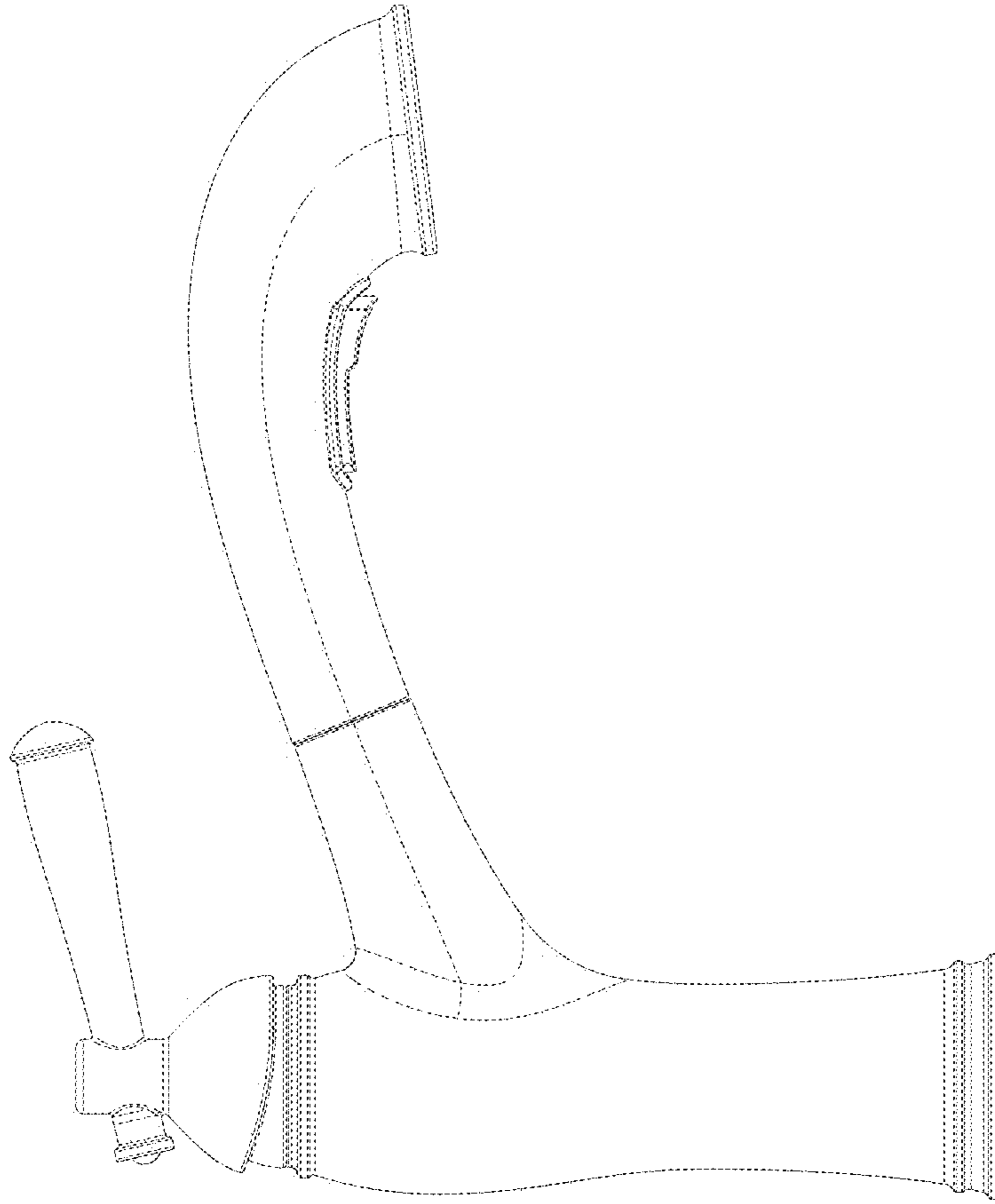


FIG - 6

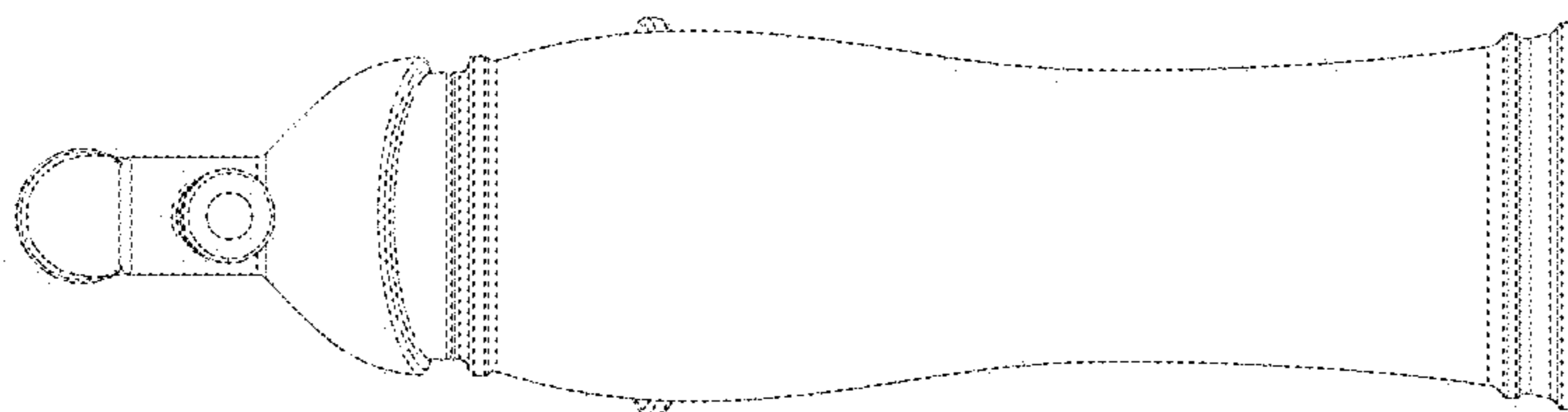


FIG - 5

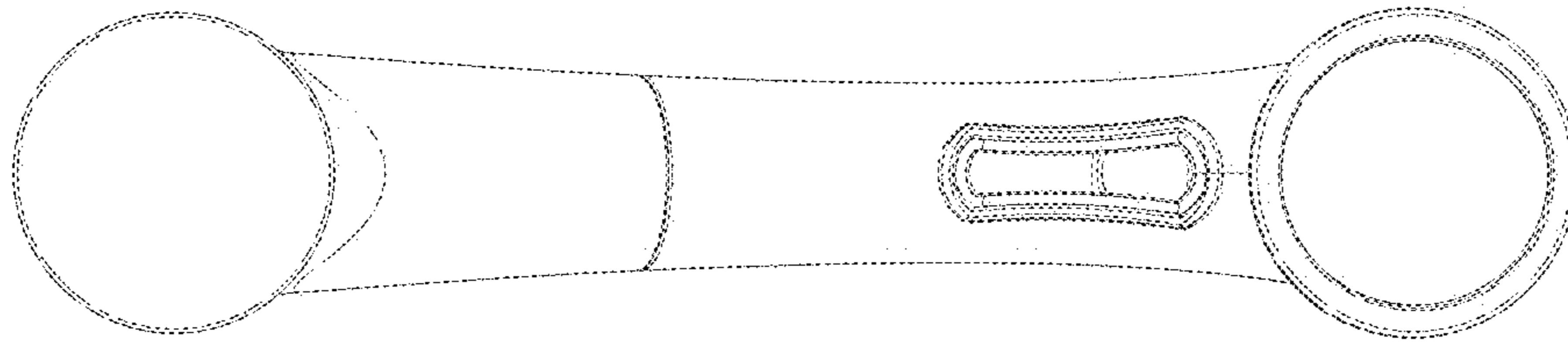


FIG - 8

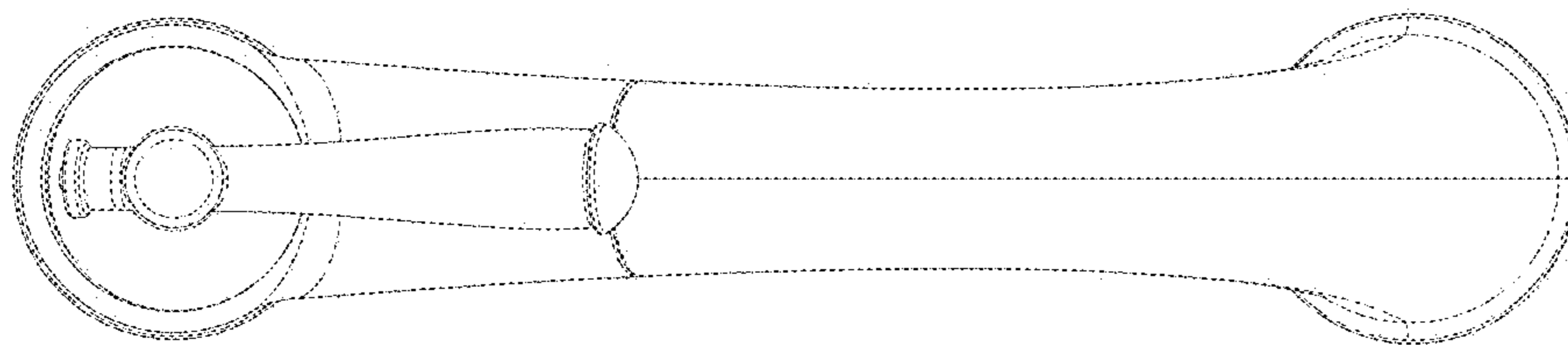


FIG - 7