



US00D952797S

(12) **United States Design Patent**  
**Goetzen et al.**

(10) **Patent No.:** **US D952,797 S**

(45) **Date of Patent:** **\*\* May 24, 2022**

(54) **FAUCET**

(71) Applicant: **Grohe AG**, Hemer (DE)

(72) Inventors: **Mirko Goetzen**, Duesseldorf (DE);  
**Patrick de Arins Speck**, London (GB)

(73) Assignee: **Grohe AG**, Hemer (DE)

(\*\*) Term: **15 Years**

(21) Appl. No.: **29/741,735**

(22) Filed: **Jul. 15, 2020**

(30) **Foreign Application Priority Data**

Jan. 15, 2020 (EM) ..... 007515747-0001

(51) **LOC (13) Cl.** ..... **23-01**

(52) **U.S. Cl.**  
USPC ..... **D23/238**

(58) **Field of Classification Search**  
USPC ..... D23/257, 249, 254, 259, 255, 233, 234,  
D23/235, 236, 237, 238, 240, 241, 242,  
D23/243, 244, 245, 246, 247, 248, 250,  
D23/251, 252, 253, 256  
CPC ..... E03C 1/01; E03C 1/0409; E03C 1/025;  
E03C 1/0408; E03C 1/04; E03C 1/0401;  
E03C 1/0402; E03C 1/0405; E03C  
1/0412; Y10T 137/5339; Y10T 137/6014;  
Y10T 137/6021  
See application file for complete search history.

(56) **References Cited**

**U.S. PATENT DOCUMENTS**

D577,104 S \* 9/2008 Latorraca ..... D23/238  
D598,071 S \* 8/2009 Lammel ..... D23/238  
D636,062 S \* 4/2011 Rubin ..... D23/238  
D644,300 S \* 8/2011 Yokoyama ..... D23/238  
D649,225 S \* 11/2011 Flowers ..... D23/238

D694,859 S \* 12/2013 Lammel ..... D23/238  
D750,203 S \* 2/2016 Flowers ..... D23/238  
D771,224 S \* 11/2016 Flowers ..... D23/238  
D811,532 S \* 2/2018 Schoenherr ..... D23/238  
D813,988 S \* 3/2018 Schoenherr ..... D23/238

**FOREIGN PATENT DOCUMENTS**

CN 201430180166 \* 6/2014

**OTHER PUBLICATIONS**

Amazon, Grohe Concetto Sink Mixer Tap, posted Oct. 26, 2015, [online], [visited Dec. 9, 2021]. Internet, <URL: https://www.amazon.co.uk/Grohe-30273DC1-Concetto-Mixer-Pull-out/dp/B016ZPORFC/ref> (Year: 2015).\*

(Continued)

*Primary Examiner* — Samantha Wood

(74) *Attorney, Agent, or Firm* — Muncy, Geissler, Olds & Lowe, P.C.

(57) **CLAIM**

The ornamental design for a faucet, as shown and described.

**DESCRIPTION**

FIG. 1 is a front perspective view of a faucet according to the present invention.

FIG. 2 is a front view of the faucet of FIG. 1.

FIG. 3 is a rear view of the faucet of FIG. 1.

FIG. 4 is a left side view of the faucet of FIG. 1.

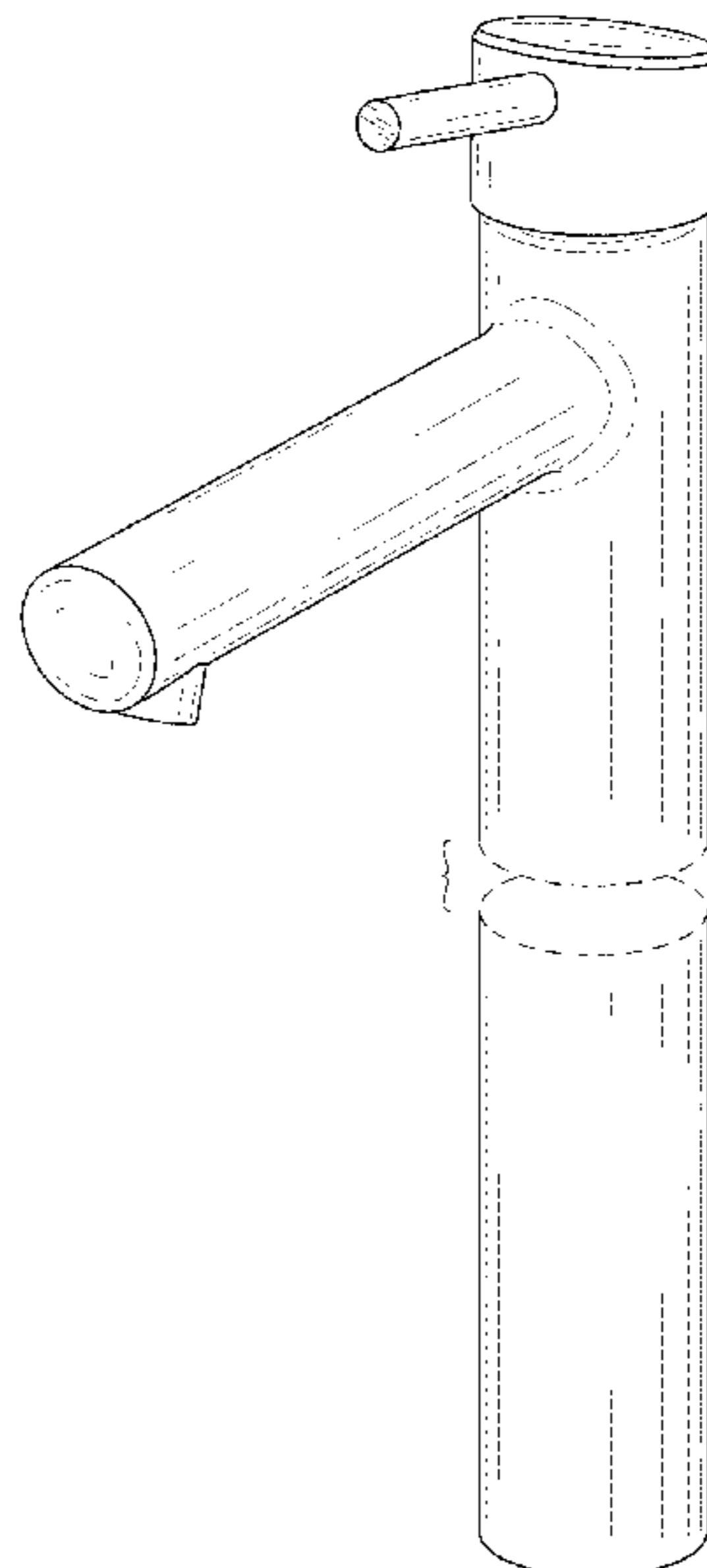
FIG. 5 is a right side view of the faucet of FIG. 1.

FIG. 6 is a top view of the faucet of FIG. 1; and, FIG. 7 is a bottom view of the faucet of FIG. 1.

The dashed lines illustrate environment that does not form a part of the present invention, and no claim is made to the material illustrated with dashed lines.

The faucet is shown with symbolic breaks in its length. The appearance of any portion of the article between the break lines forms no part of the claimed design.

**1 Claim, 7 Drawing Sheets**



(56)

**References Cited**

OTHER PUBLICATIONS

Amazon, Blanco Kano-S Kitchen Mixer Tap, posted Dec. 12, 2018, [online], [visited Dec. 9, 2021]. Internet, <URL: <https://www.amazon.co.uk/Blanco-525038-Kitchen-Fitting-Anthrazit/dp/B07HGLBJV2/ref>> (Year: 2018).\*

\* cited by examiner

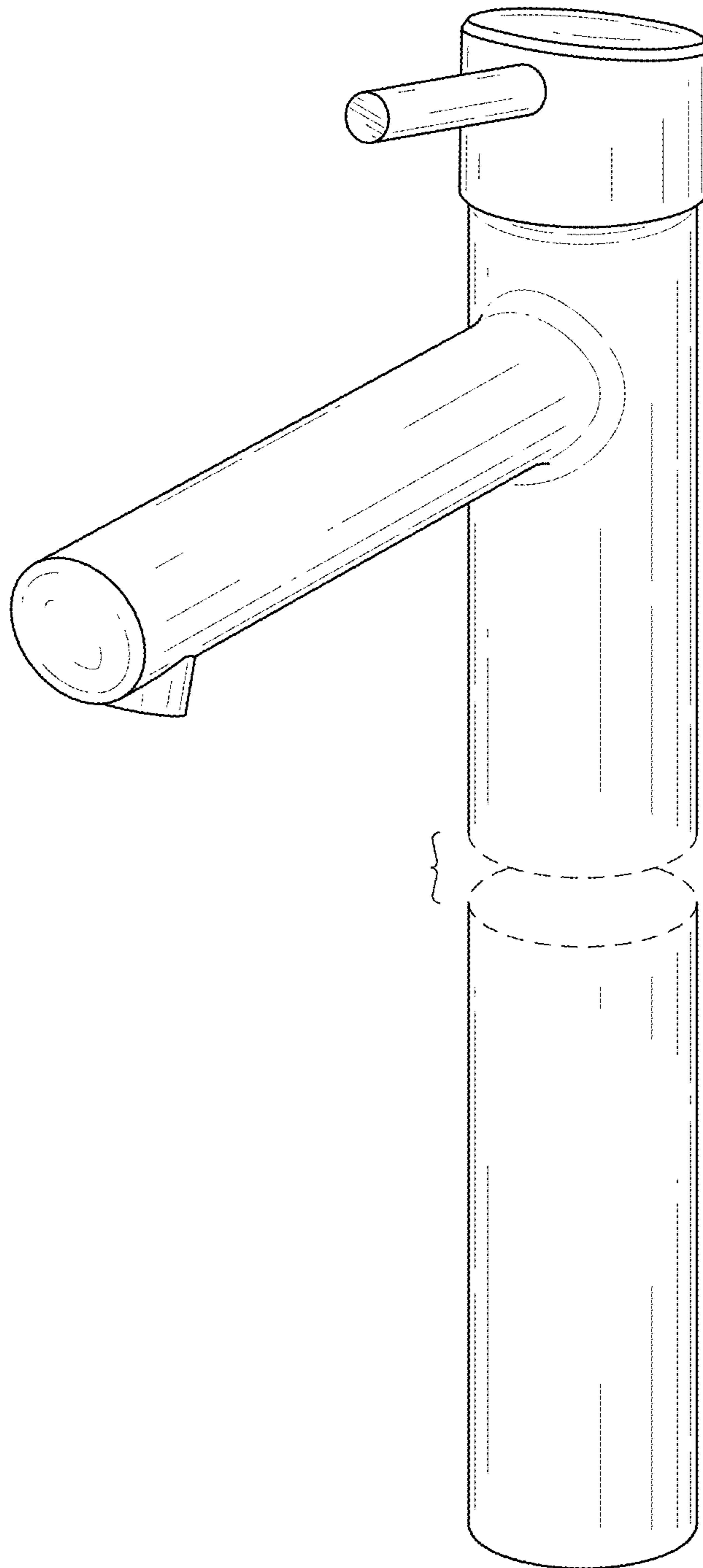


FIG.1

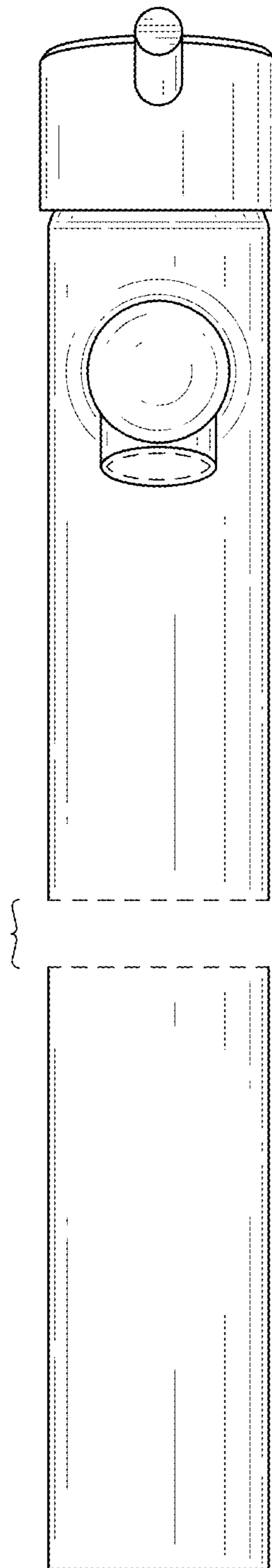


FIG.2

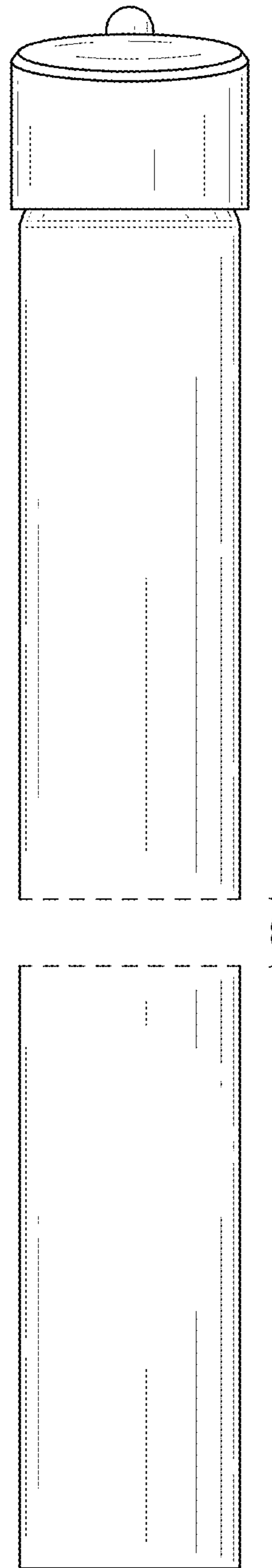


FIG.3

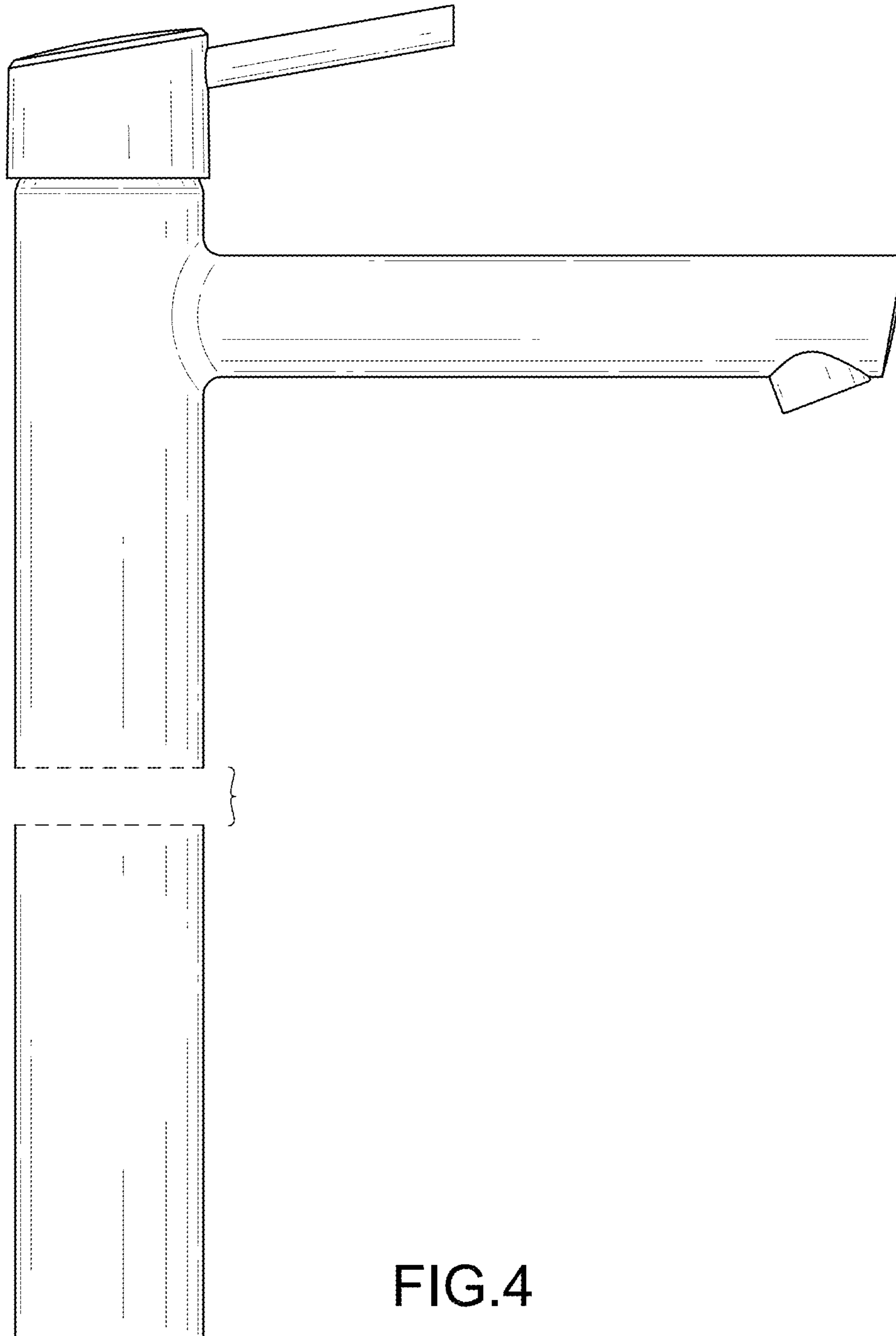


FIG.4

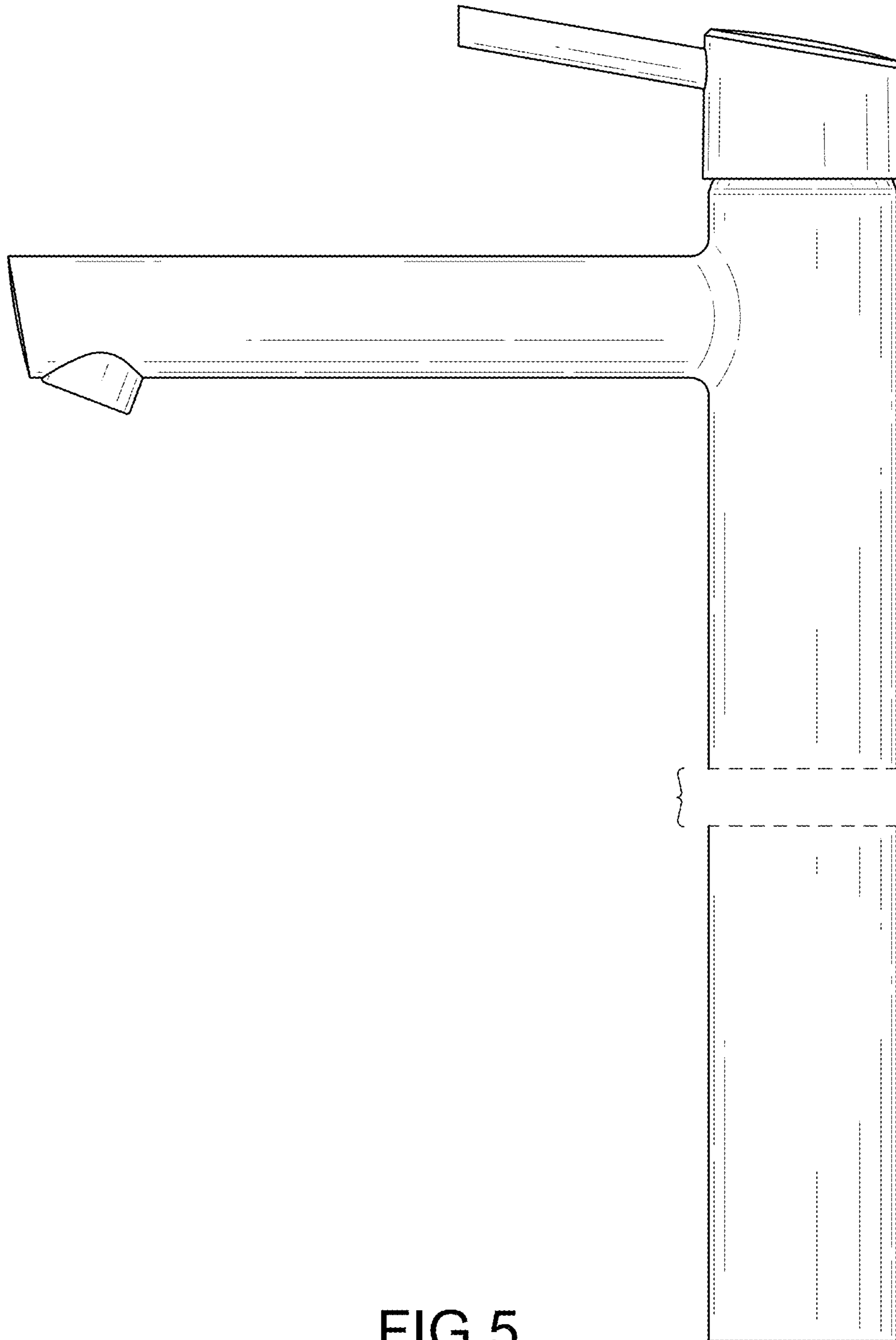


FIG. 5

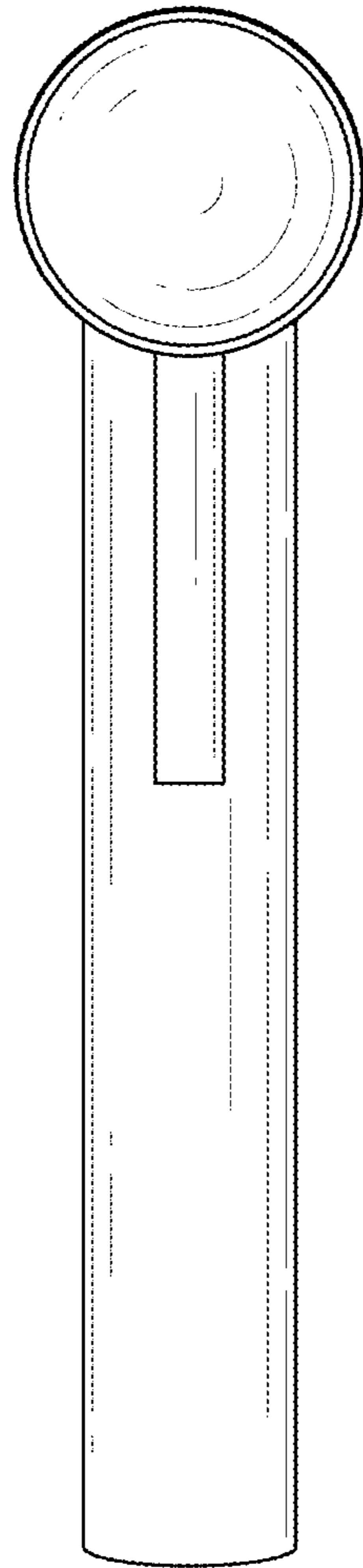


FIG.6



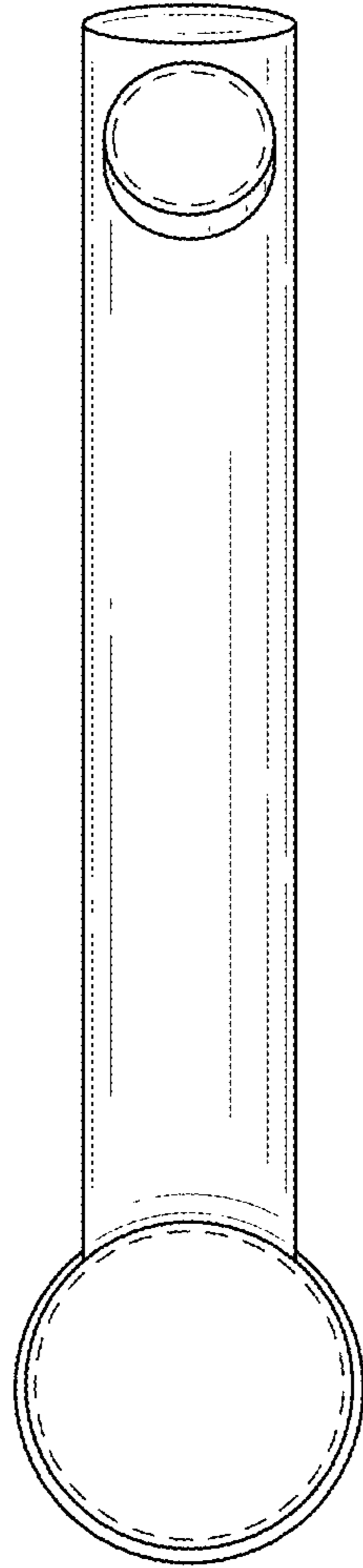


FIG.7