



US00D952795S

(12) **United States Design Patent**
Wang

(10) **Patent No.:** **US D952,795 S**

(45) **Date of Patent:** **** May 24, 2022**

(54) **WATER PURIFIER**

(71) Applicant: **Haibin Wang**, Huizhou (CN)

(72) Inventor: **Haibin Wang**, Huizhou (CN)

(**) Term: **15 Years**

(21) Appl. No.: **29/767,716**

(22) Filed: **Jan. 25, 2021**

(51) **LOC (13) Cl.** **23-01**

(52) **U.S. Cl.**
USPC **D23/209**

(58) **Field of Classification Search**
USPC D23/200, 206, 207, 208, 209, 210, 213,
D23/233, 314, 324, 325, 328, 332, 333,
D23/336, 351, 353, 355, 357
CPC ... E04G 7/16; Y10T 403/30; Y10T 403/7105;
Y10T 403/7158; F16L 29/02; F16L
37/40; F16L 37/084; F16L 37/00; F16K
15/188; F16K 15/181
See application file for complete search history.

(56) **References Cited**

U.S. PATENT DOCUMENTS

4,026,801	A *	5/1977	Ward	B01J 49/75 210/140
D333,505	S *	2/1993	Matsumura	D23/200
5,486,288	A *	1/1996	Stanford	B01D 35/153 210/235
D439,950	S *	4/2001	Fletcher	D23/207
D446,840	S *	8/2001	Strand	D23/209
D481,442	S *	10/2003	Liu	D23/209
D482,755	S *	11/2003	Rhinehart	D23/207
D486,882	S *	2/2004	Riddell	D23/207
D502,757	S *	3/2005	Mork	D23/207
D601,225	S *	9/2009	Kurisaki	D10/85
D603,341	S *	11/2009	Kawakami	D13/158
D606,164	S *	12/2009	Kawakami	D23/233
D606,166	S *	12/2009	Gunji	D23/233
D610,233	S *	2/2010	Kurisaki	D23/233

D633,982	S *	3/2011	Palmer	D23/209
7,913,932	B2 *	3/2011	Wu	A01M 7/0046 239/288
D643,506	S *	8/2011	Miles	D23/207
D654,145	S *	2/2012	Chatterjee	D23/207
D682,387	S *	5/2013	Tseng	D23/207
D695,877	S *	12/2013	Geisen	D23/207
D754,630	S *	4/2016	Paterson	D14/204
D755,155	S *	5/2016	Paterson	D14/204
D790,508	S *	6/2017	Lewis	D14/204
D829,687	S *	10/2018	Burlingame	D14/214

(Continued)

OTHER PUBLICATIONS

Geekpure Ultraviolet Water Filter—6 Watt UV Water Purifier, May 11, 2018, amazon.ca, Feb. 10, 2022, URL: <https://www.amazon.ca/Geekpure-Universal-Compatible-Replacement-Sterilizer/dp/B07BFVWQB1/> (Year: 2018).*

(Continued)

Primary Examiner — Keith J Wilson
(74) *Attorney, Agent, or Firm* — Georgi Korobanov

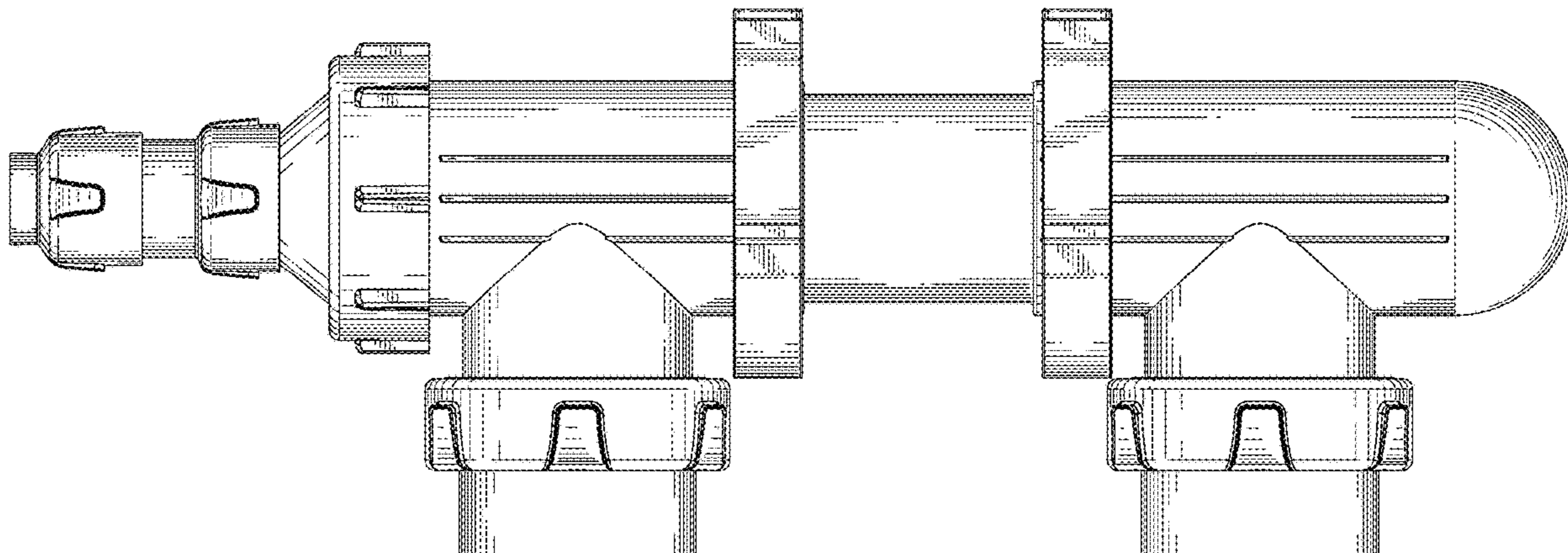
(57) **CLAIM**

The ornamental design for a water purifier, as shown and described.

DESCRIPTION

FIG. 1 is a front view of a water purifier showing my new design;
FIG. 2 is a rear view thereof;
FIG. 3 is a left side view thereof;
FIG. 4 is a right side view thereof;
FIG. 5 is a top plan view thereof;
FIG. 6 is a bottom plan view thereof; and,
FIG. 7 is a perspective view thereof.
The dashed or broken lines shown in the drawings depict portions of the water purifier in which the design is embodied that form no part of the claimed design.

1 Claim, 7 Drawing Sheets



(56)

References Cited

U.S. PATENT DOCUMENTS

D837,182 S * 1/2019 Elmieh D14/204
D841,774 S * 2/2019 Ghoshal D23/207
D841,775 S * 2/2019 Ghoshal D23/207
D844,101 S * 3/2019 Zheng D23/207
D848,399 S * 5/2019 Burlingame D14/221
D854,509 S * 7/2019 Wu D14/168
D855,151 S * 7/2019 Joo D23/207
2009/0167540 A1 * 7/2009 Struyk G01P 13/002
340/610
2018/0291911 A1 * 10/2018 Ward F04B 17/03

OTHER PUBLICATIONS

Realgoal 2GPM UV 16W Water Purifier Stainless Steel, Oct. 26, 2018, amazon.ca, Feb. 10, 2022, URL: <https://www.amazon.ca/dp/B07JHG13Z8/> (Year: 2018).*

Express Water Incorporated FLTUV110BCH Ultraviolet Water Filter, Oct. 18, 2016, amazon.ca, Feb. 10, 2022, URL: <https://www.amazon.ca/Express-Water-Ultraviolet-Purifier-Sterilizer/dp/B011275T4E/> (Year: 2016).*

* cited by examiner

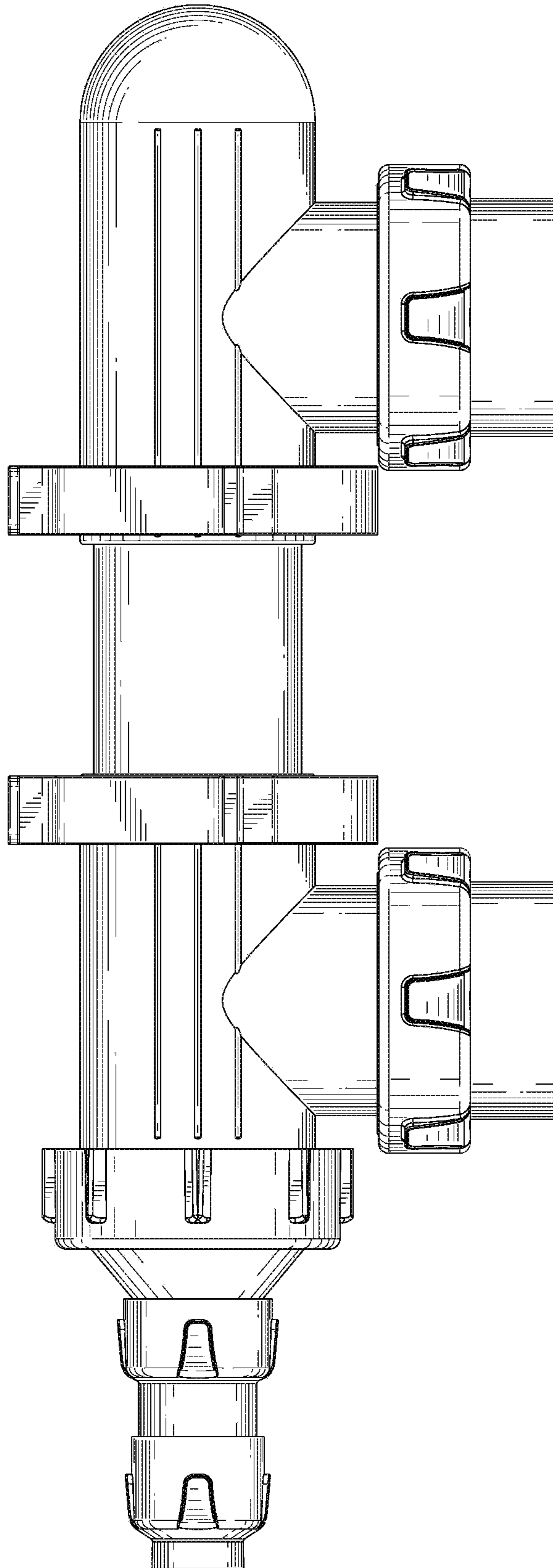


FIG. 1

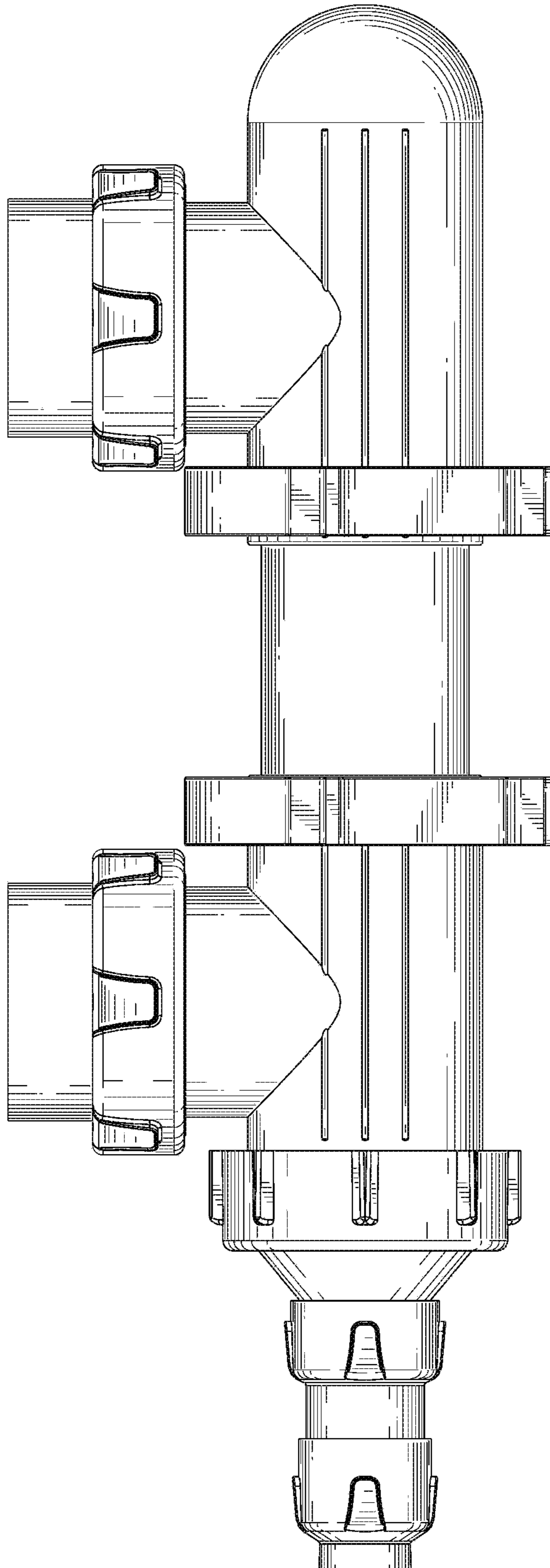


FIG. 2

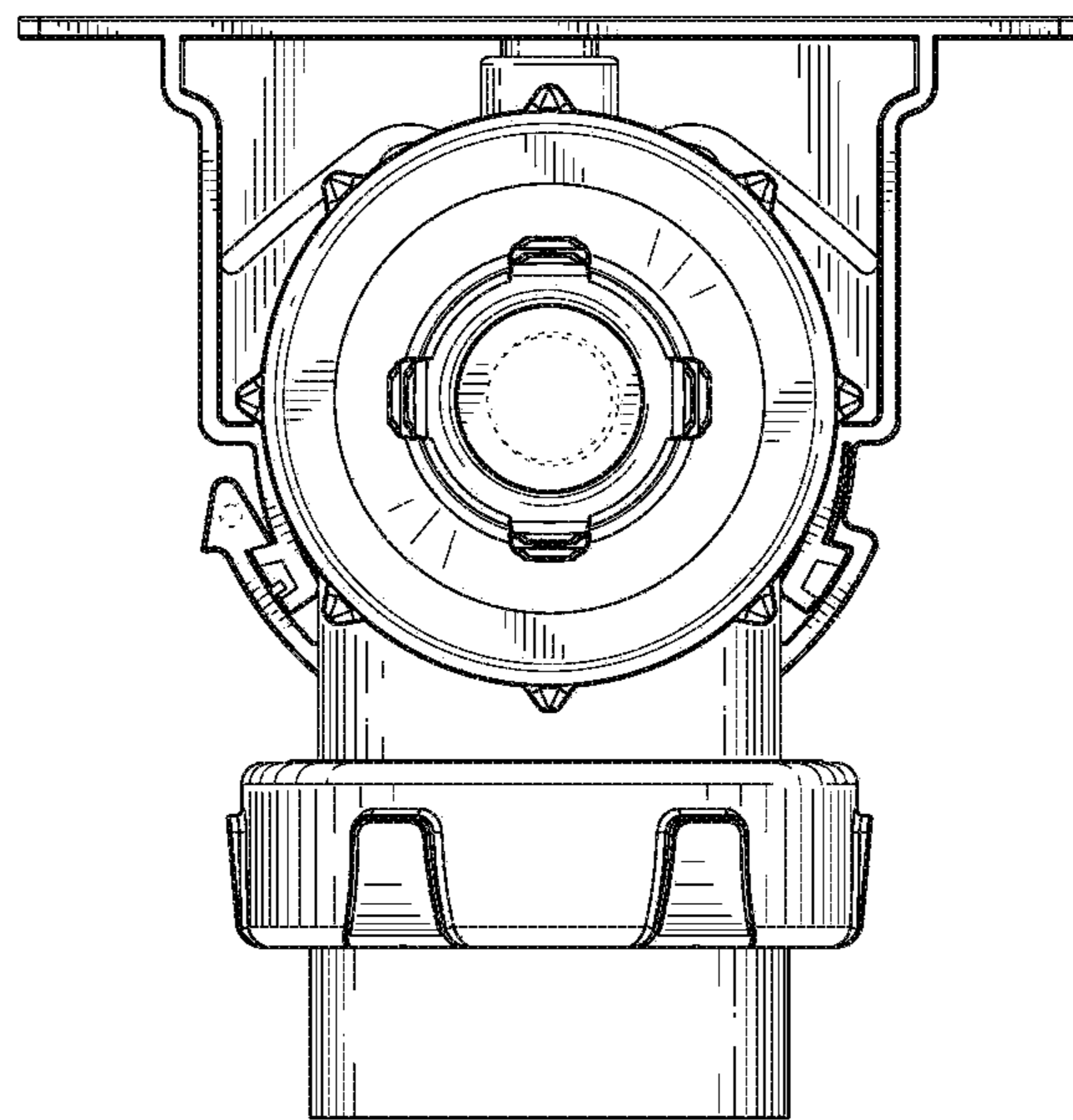


FIG. 3

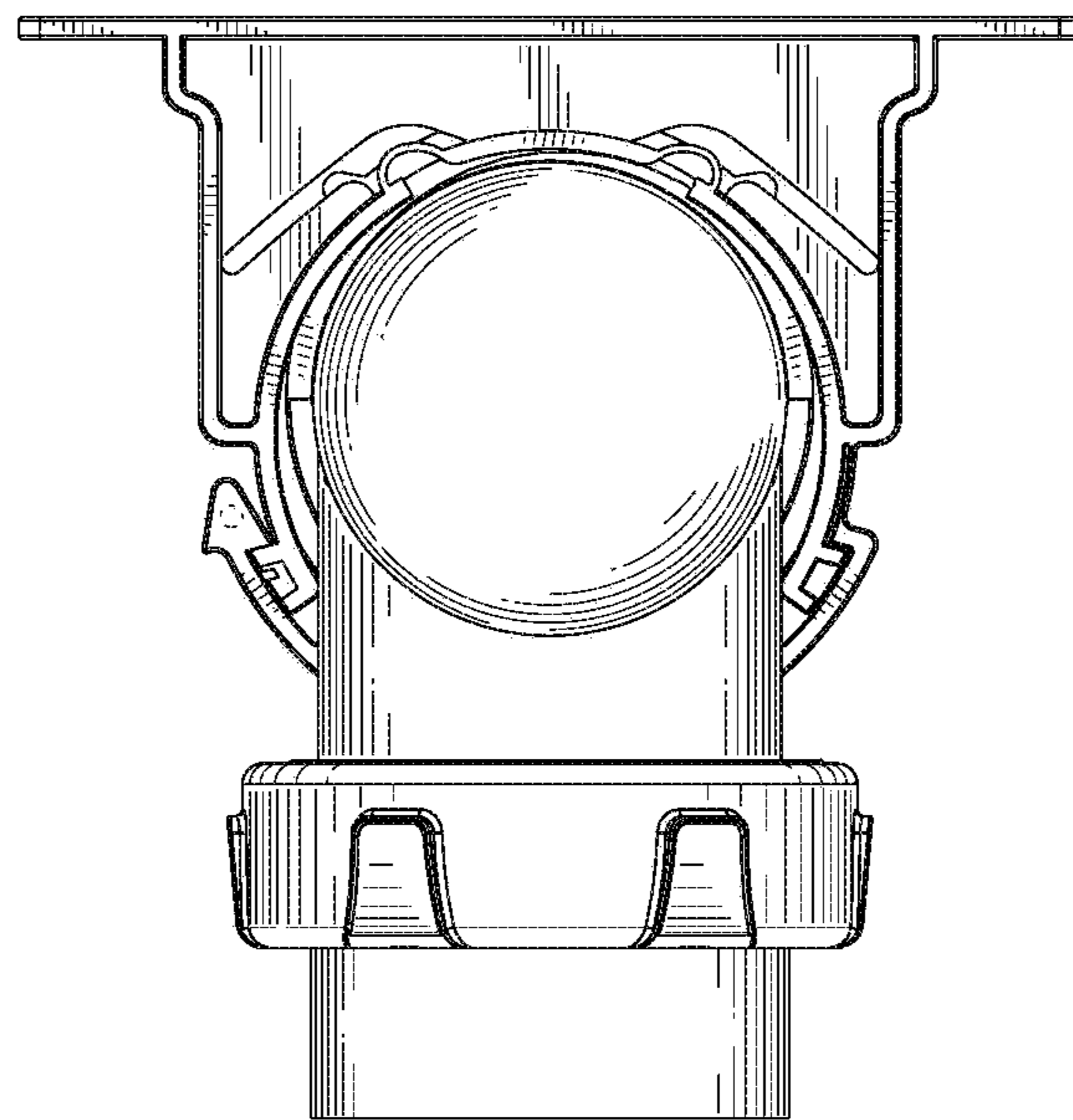


FIG. 4

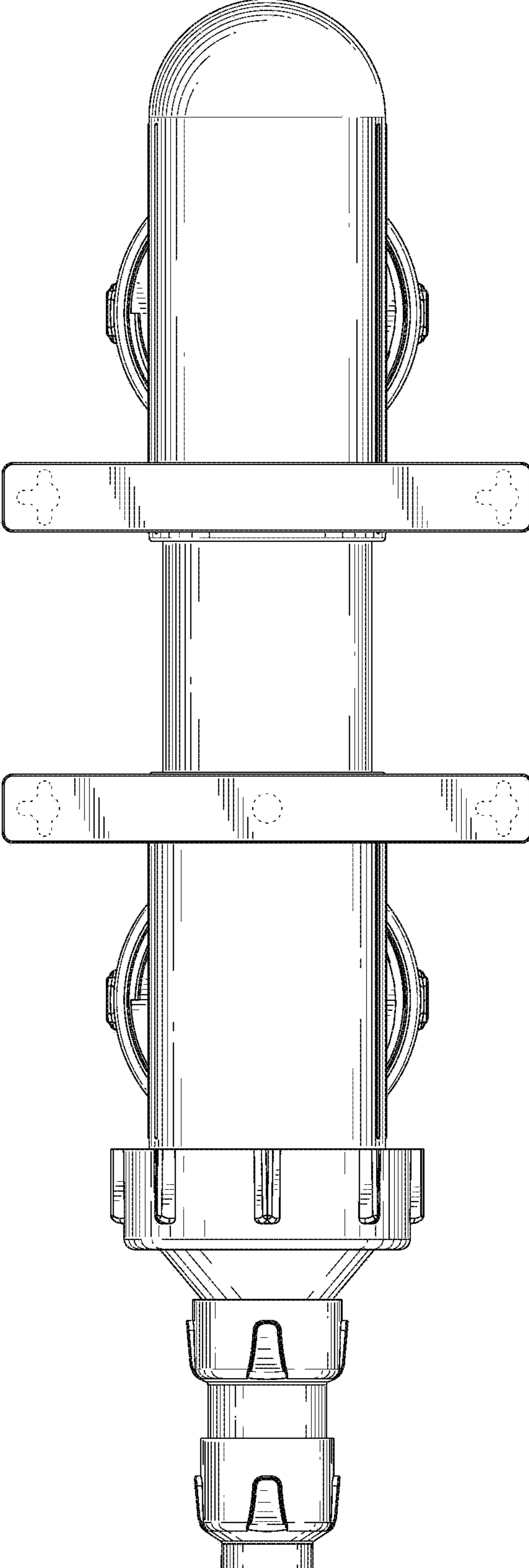


FIG. 5

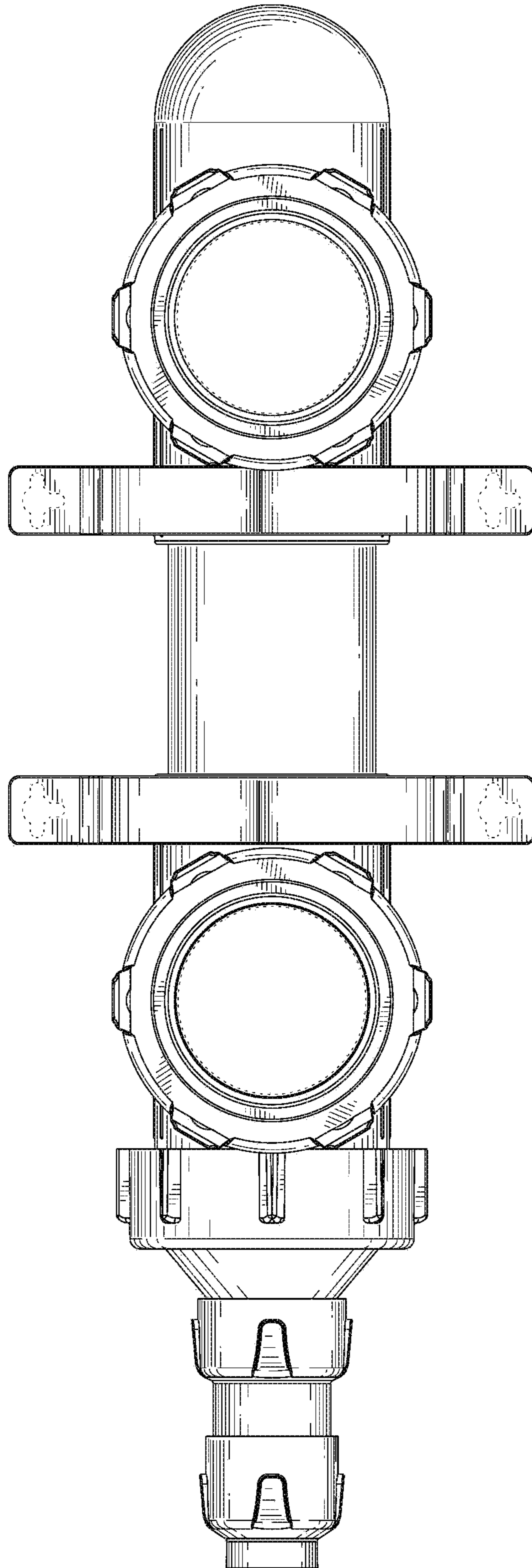


FIG. 6

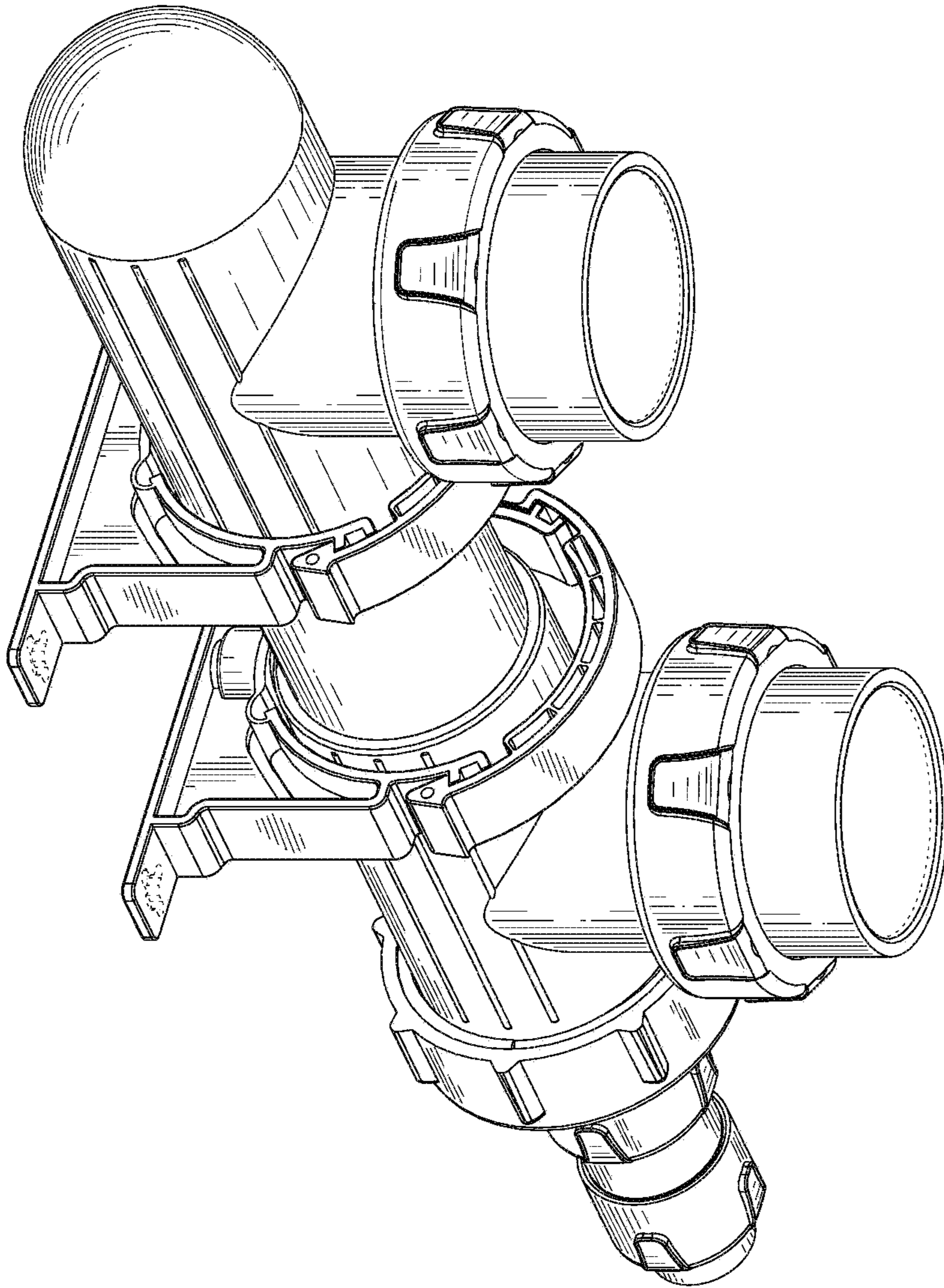


FIG. 7