



US00D952794S

(12) **United States Design Patent**
Du

(10) **Patent No.:** **US D952,794 S**

(45) **Date of Patent:** **** May 24, 2022**

(54) **FILTER**

(71) Applicant: **Tianjin Bright Sight Commerce Co., Ltd, Tianjin (CN)**

(72) Inventor: **Zhigang Du, Tianjin (CN)**

(**) Term: **15 Years**

(21) Appl. No.: **29/729,773**

(22) Filed: **Mar. 30, 2020**

(30) **Foreign Application Priority Data**

Jan. 7, 2020 (CN) 202030007502.3

(51) **LOC (13) Cl.** **23-01**

(52) **U.S. Cl.**
USPC **D23/209**

(58) **Field of Classification Search**
USPC D23/205-210, 314, 325, 333-336,
D23/355-366, 386-388
CPC Y10T 428/1366; B32B 2597/00; B01D
46/00; B01D 46/0004; B01D 27/04;
F25D 17/042; A61L 9/01
See application file for complete search history.

(56) **References Cited**

U.S. PATENT DOCUMENTS

D794,749 S *	8/2017	Zou	D23/209
D795,995 S *	8/2017	Zou	D23/209
D798,997 S *	10/2017	Zou	D23/209
D845,434 S *	4/2019	Zou	D23/209
D856,473 S *	8/2019	Zou	D23/209
D856,474 S *	8/2019	Zou	D23/209
D858,692 S *	9/2019	Zou	D23/209
D858,693 S *	9/2019	Zou	D23/209

D858,694 S *	9/2019	Zou	D23/209
D875,209 S *	2/2020	Zou	D23/209
D883,429 S *	5/2020	Zou	D23/209
D886,940 S *	6/2020	Zou	D23/209
D894,332 S *	8/2020	Huaping	D23/209
D894,337 S *	8/2020	Huaping	D23/209
D896,342 S *	9/2020	Wei	D23/209
D917,662 S *	4/2021	Lu	D23/209
D918,335 S *	5/2021	Wei	D23/209
D919,041 S *	5/2021	Lu	D23/209
D928,280 S *	8/2021	Wei	D23/209
D929,533 S *	8/2021	Huang	D23/209
D932,586 S *	10/2021	Du	D23/209
D932,587 S *	10/2021	Du	D23/209
D932,588 S *	10/2021	Du	D23/209
D932,589 S *	10/2021	Du	D23/209
D932,590 S *	10/2021	Du	D23/209

* cited by examiner

Primary Examiner — John A Voytek

(74) *Attorney, Agent, or Firm* — Yanling Jiang

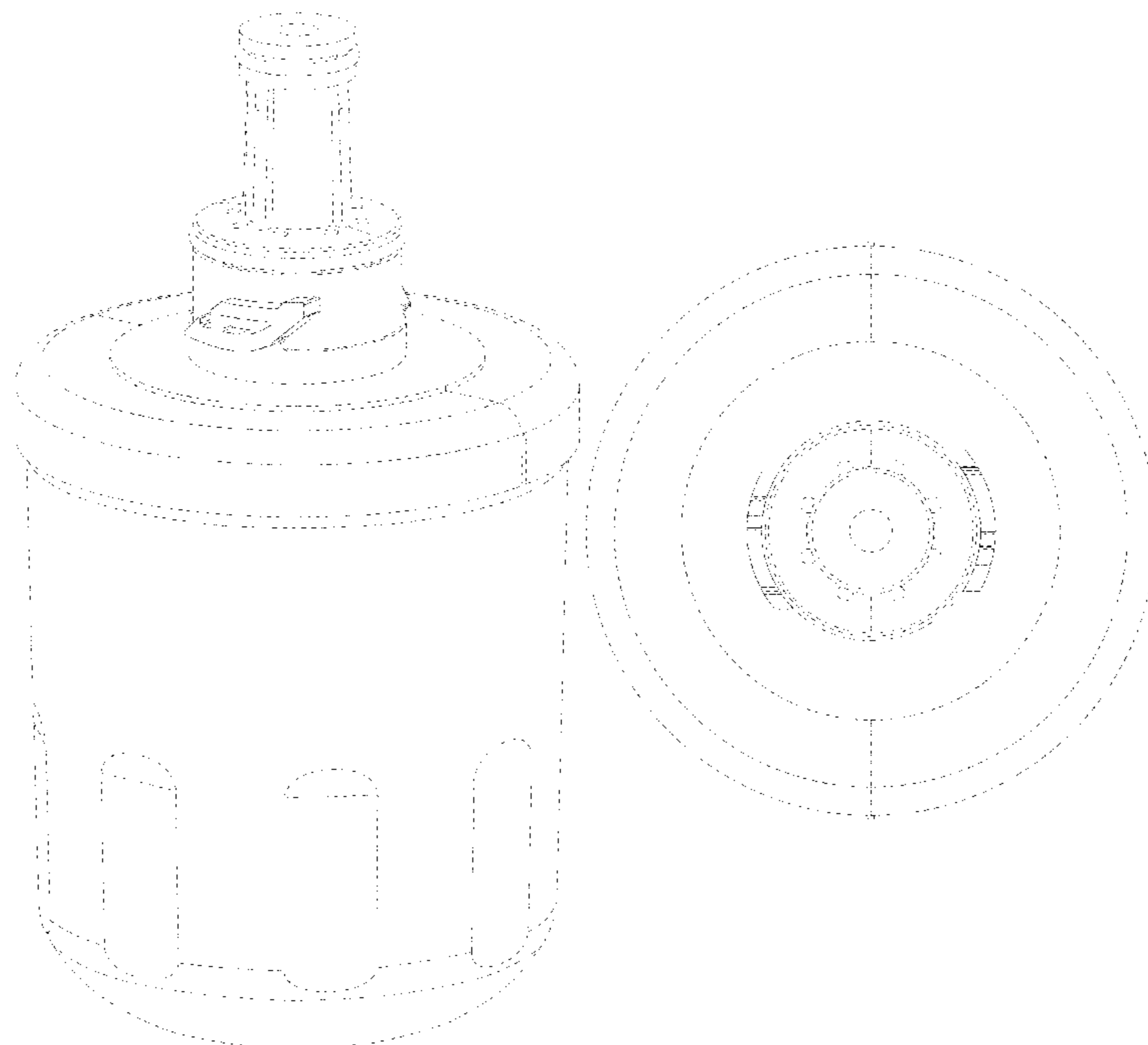
(57) **CLAIM**

The ornamental design for filter, as shown and described.

DESCRIPTION

FIG. 1 is a top right perspective view showing filter, showing my new design;
FIG. 2 is a front elevation view thereof;
FIG. 3 is a rear elevation view thereof;
FIG. 4 is a top plan view thereof;
FIG. 5 is a bottom plan view thereof;
FIG. 6 is a left side view thereof; and,
FIG. 7 is a right side view thereof.
The broken line depicted in the drawings are for the purpose of illustrating portions of the filter that form no part of the claimed design.

1 Claim, 7 Drawing Sheets



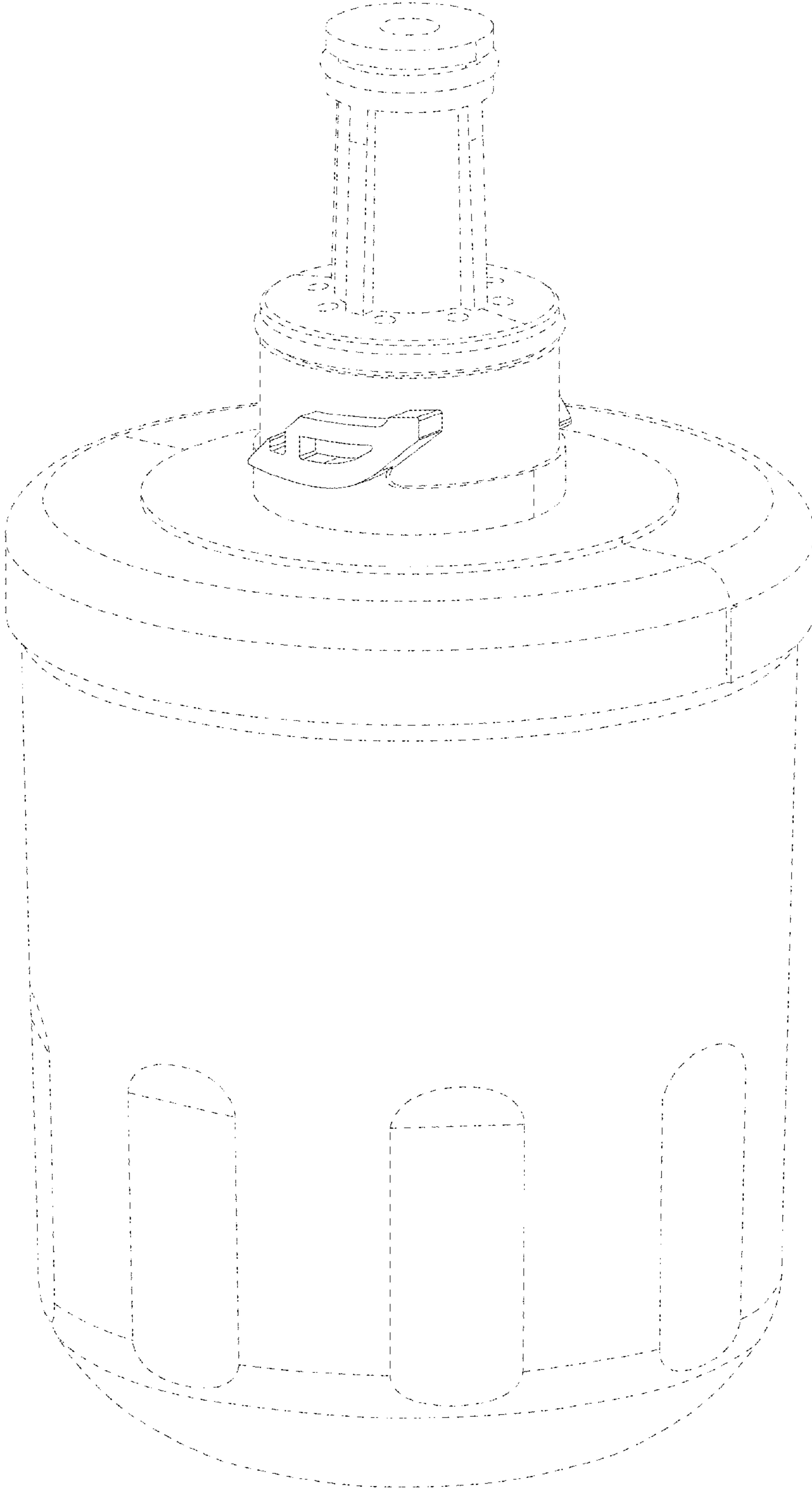


FIG. 1

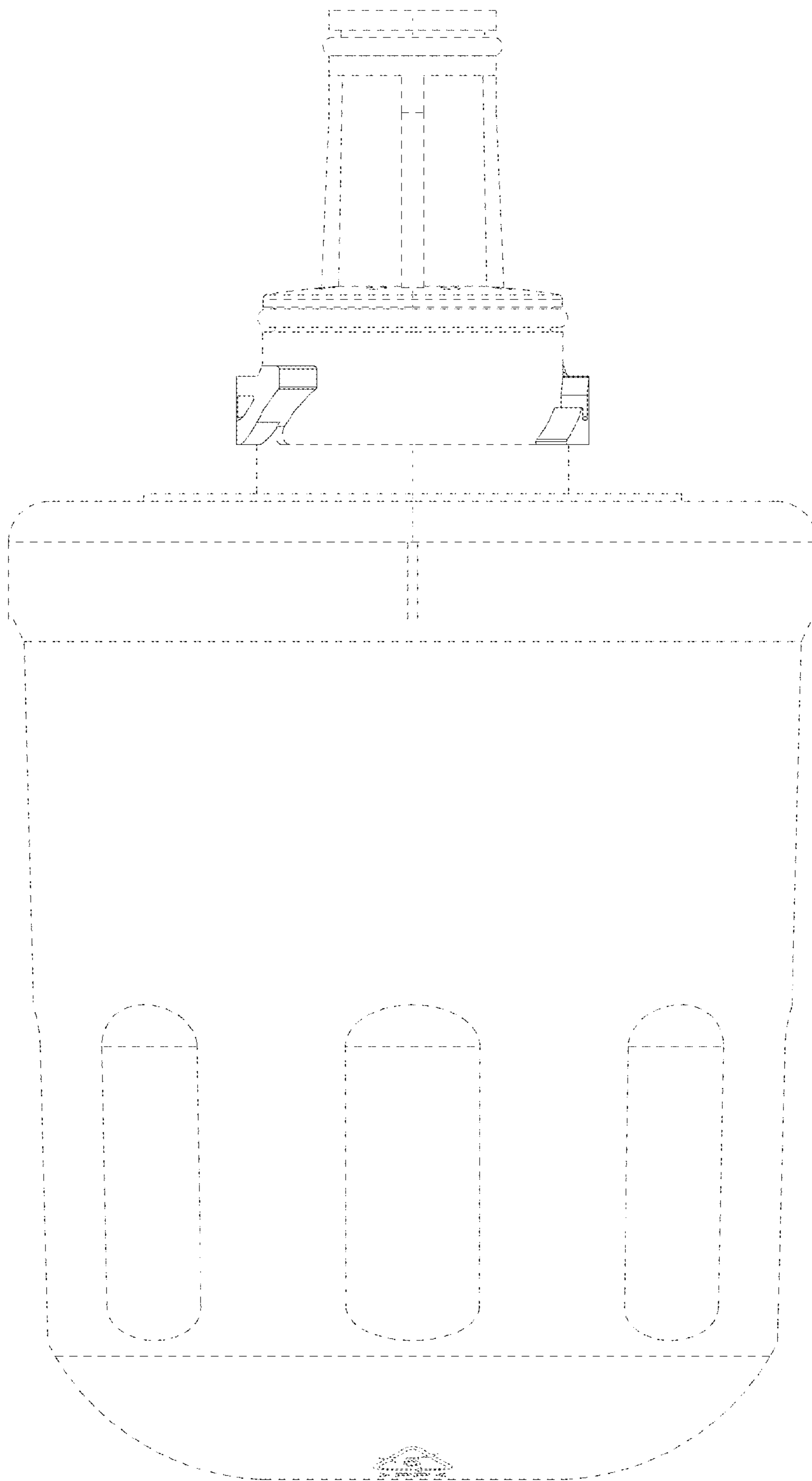


FIG. 2

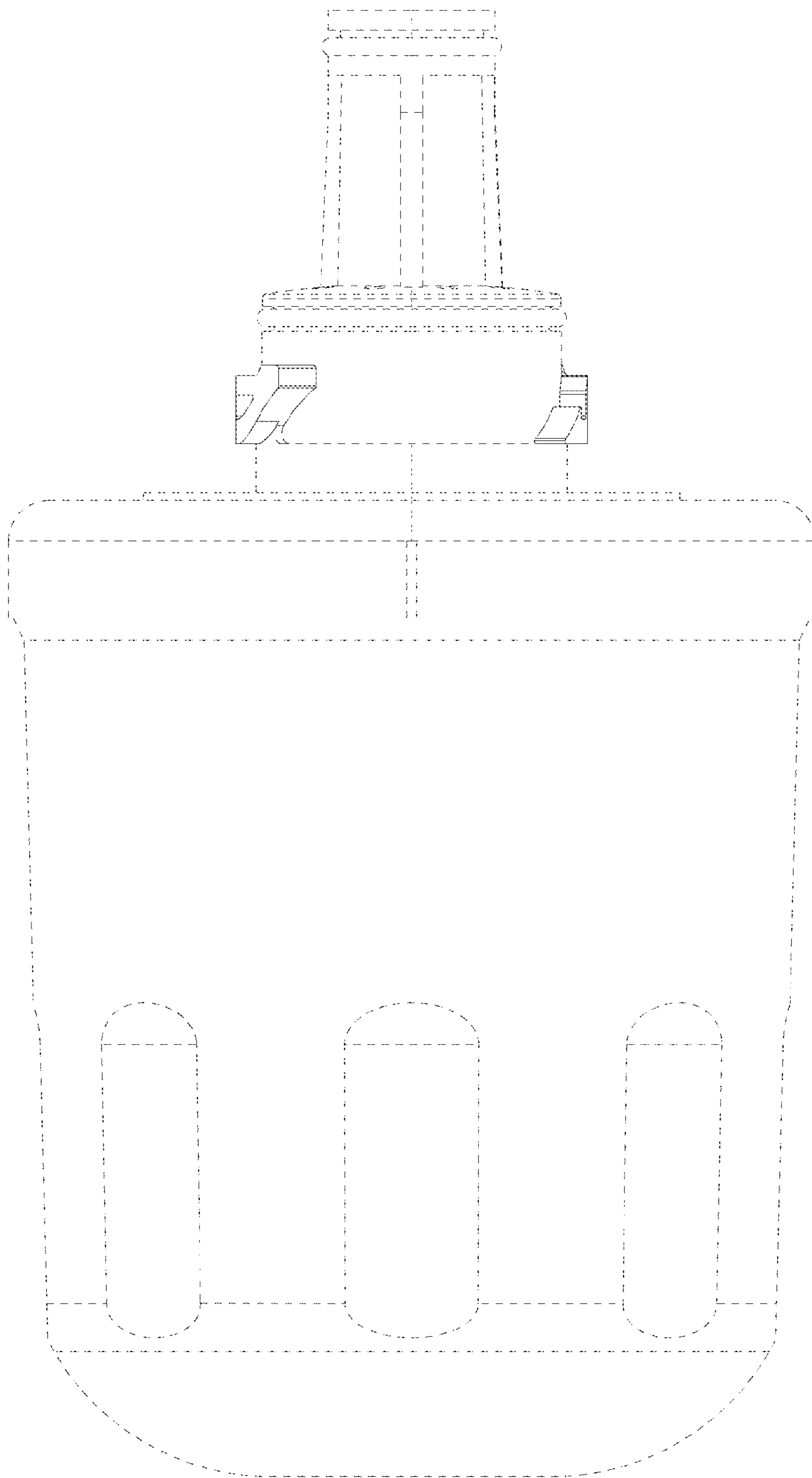


FIG. 3

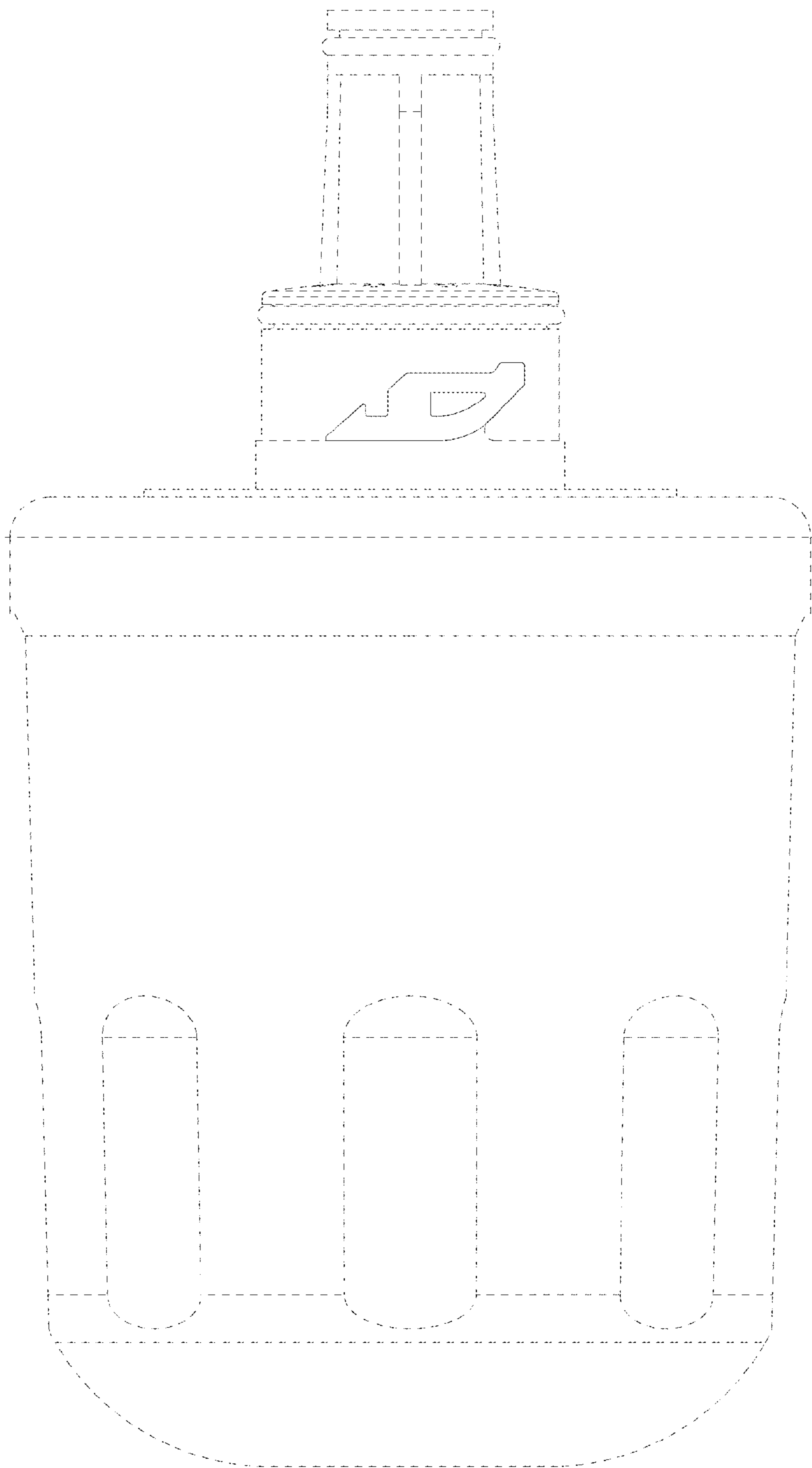


FIG. 4

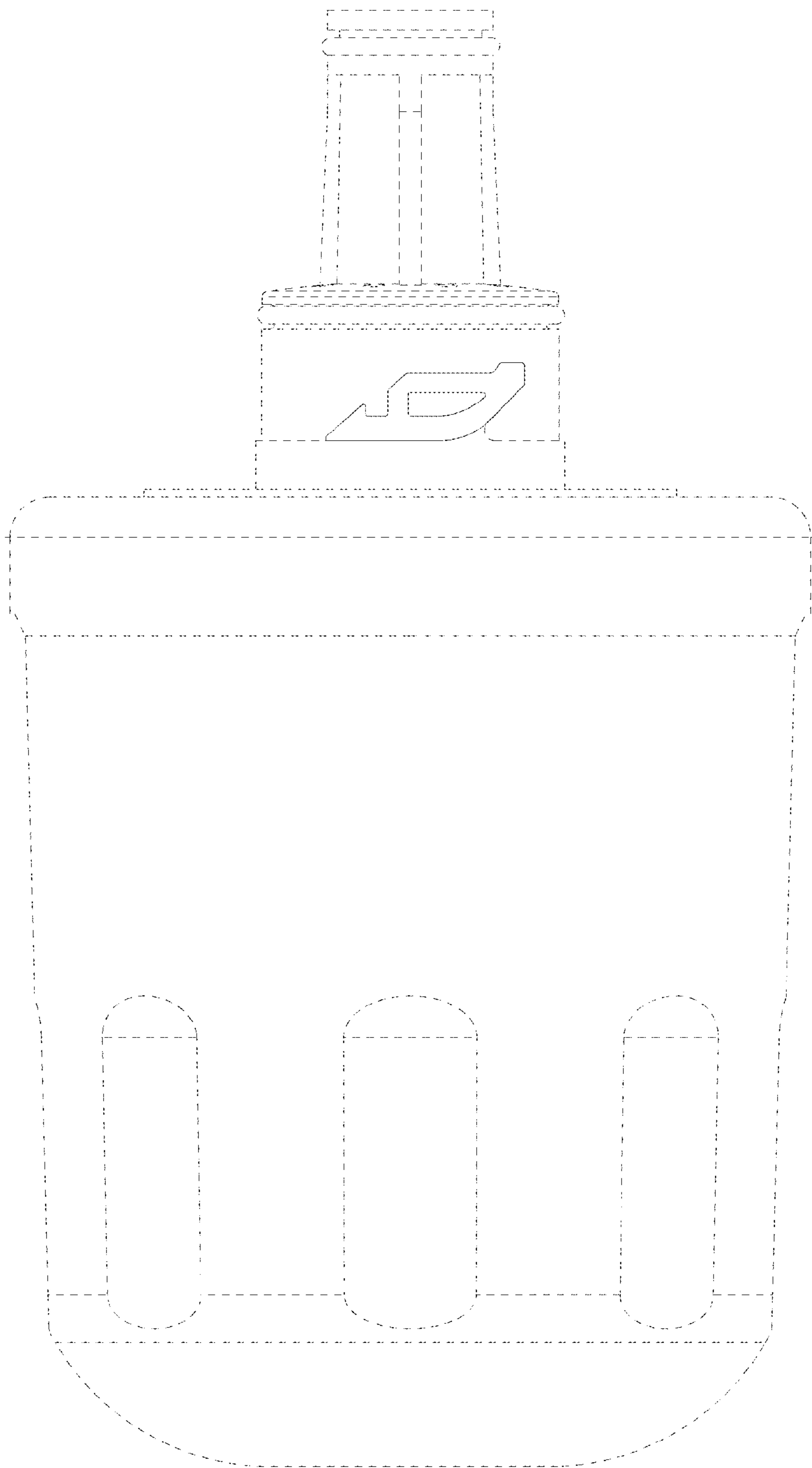


FIG. 5

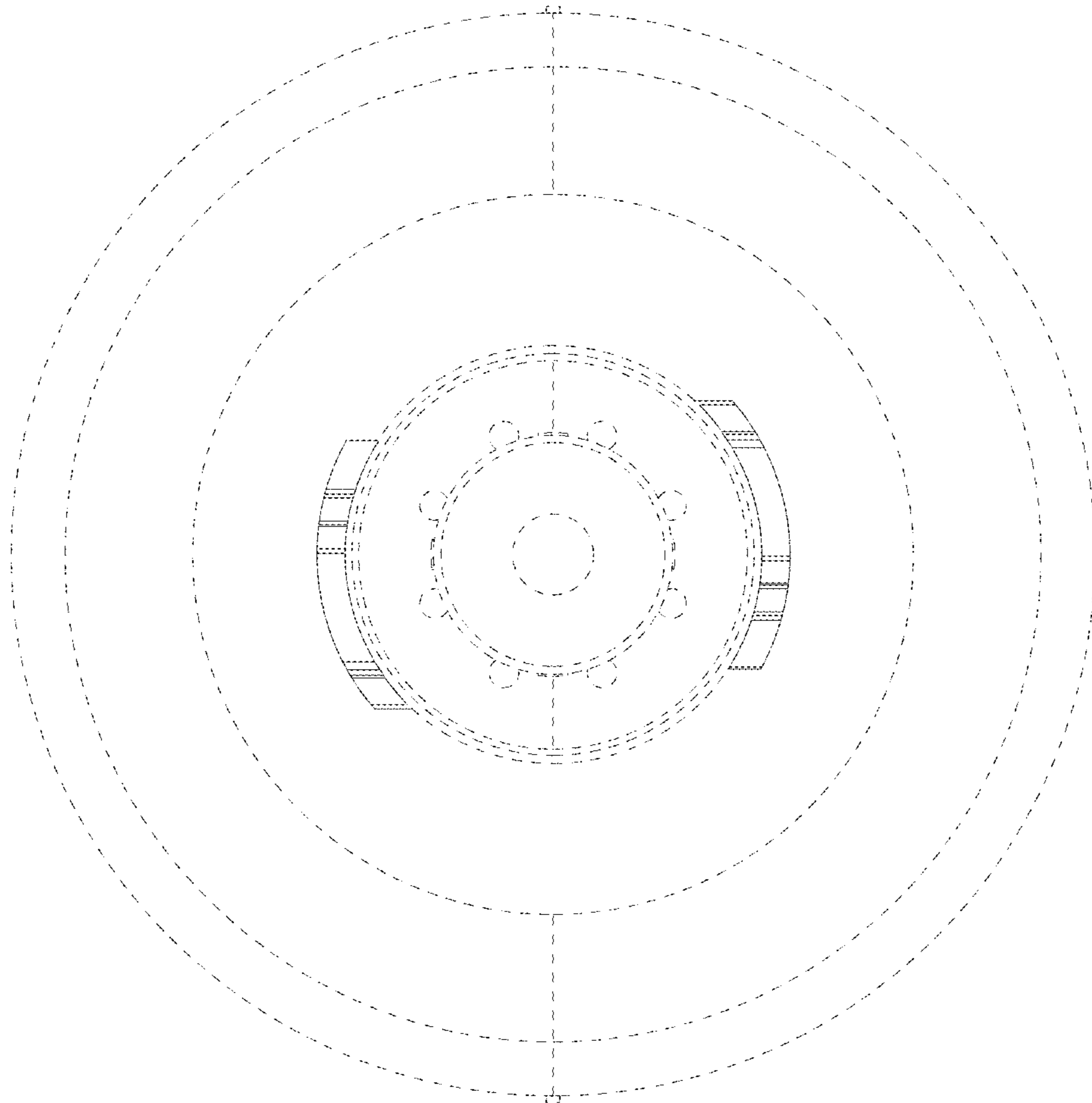


FIG. 6

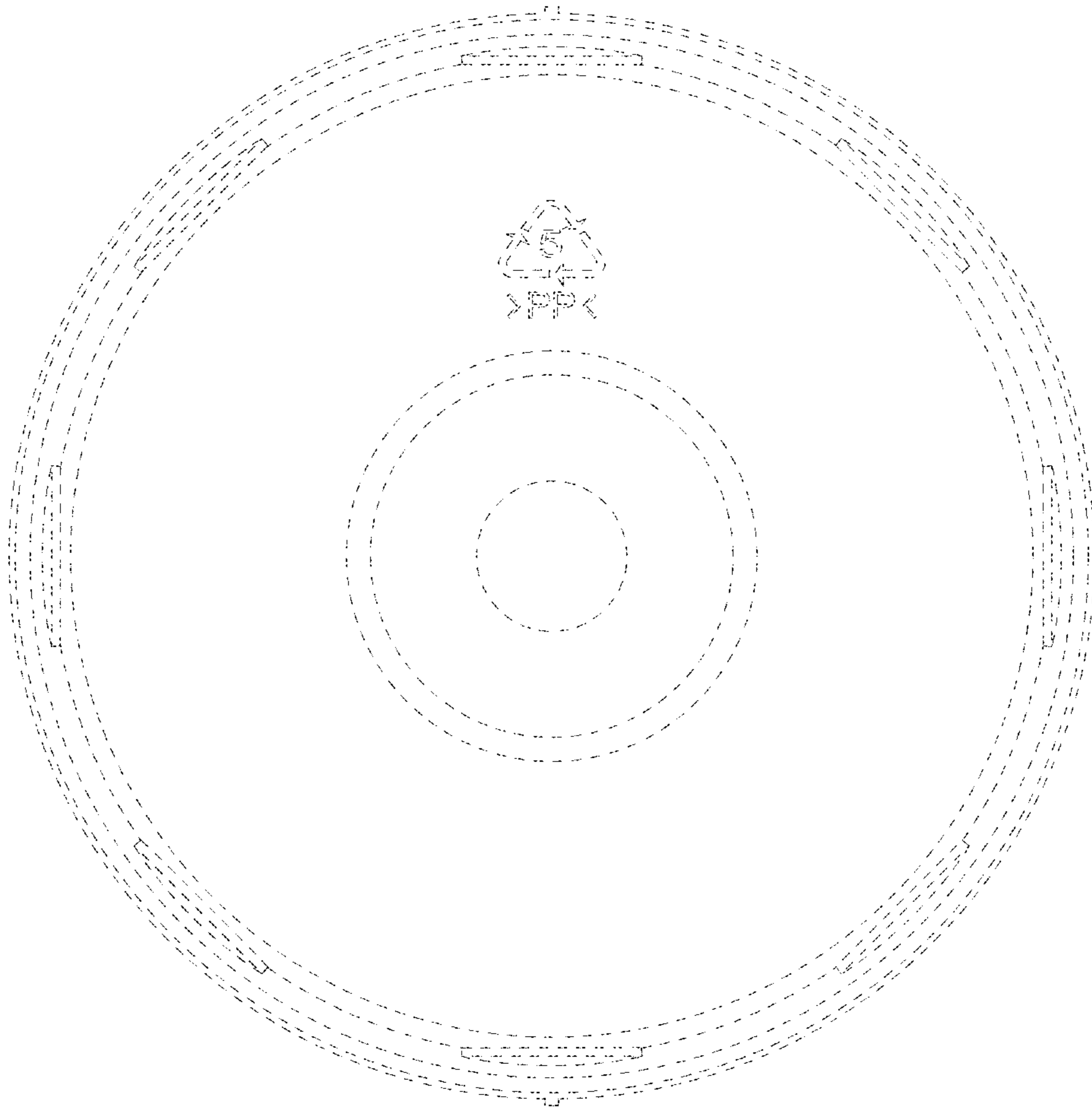


FIG. 7