



US00D952793S

(12) **United States Design Patent**
Du

(10) **Patent No.:** **US D952,793 S**

(45) **Date of Patent:** **** May 24, 2022**

(54) **FILTER**

(71) Applicant: **Tianjin Bright Sight Commerce Co., Ltd.**, Tianjin (CN)

(72) Inventor: **Zhigang Du**, Tianjin (CN)

(**) Term: **15 Years**

(21) Appl. No.: **29/711,223**

(22) Filed: **Oct. 29, 2019**

(51) **LOC (13) Cl.** **23-01**

(52) **U.S. Cl.**
USPC **D23/209**

(58) **Field of Classification Search**
USPC D23/205–210, 314, 325, 333–336,
D23/355–366, 386–388
CPC Y10T 428/1366; B32B 2597/00; B01D
46/00; B01D 46/0004; B01D 27/04;
F25D 17/042; A61L 9/01
See application file for complete search history.

(56) **References Cited**

U.S. PATENT DOCUMENTS

D764,626 S * 8/2016 Lu D23/209
D845,434 S * 4/2019 Zou D23/209

D858,692 S * 9/2019 Zou D23/209
D875,209 S * 2/2020 Zou D23/209
D886,940 S * 6/2020 Zou D23/209
D892,265 S * 8/2020 Zou D23/209
D894,337 S * 8/2020 Huaping D23/209
D896,342 S * 9/2020 Wei D23/209
D917,662 S * 4/2021 Lu D23/209
D919,041 S * 5/2021 Lu D23/209
D929,533 S * 8/2021 Huang D23/209

* cited by examiner

Primary Examiner — John A Voytek

(74) *Attorney, Agent, or Firm* — Yanling Jiang

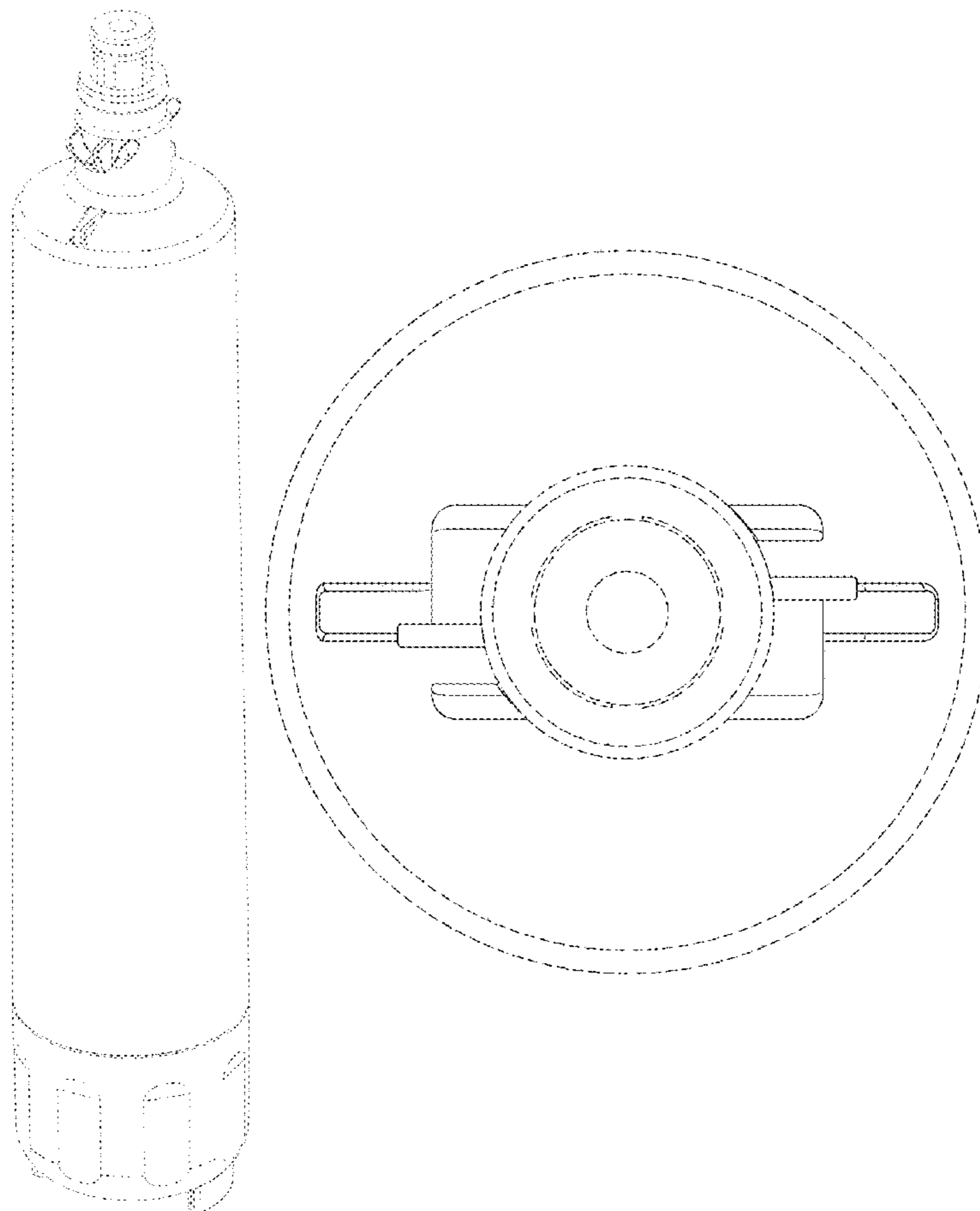
(57) **CLAIM**

The ornamental design for filter, as shown and described.

DESCRIPTION

FIG. 1 is a top right perspective view showing filter, showing my new design;
FIG. 2 is a front elevation view thereof;
FIG. 3 is a rear elevation view thereof;
FIG. 4 is a top plan view thereof;
FIG. 5 is a bottom plan view thereof;
FIG. 6 is a side view thereof; and,
FIG. 7 is an opposite side view thereof.

1 Claim, 7 Drawing Sheets



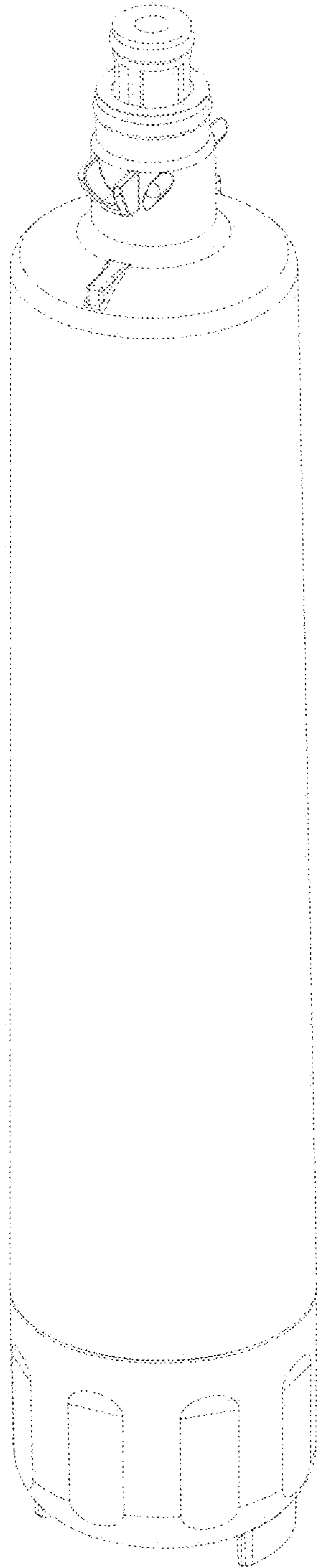


Fig. 1

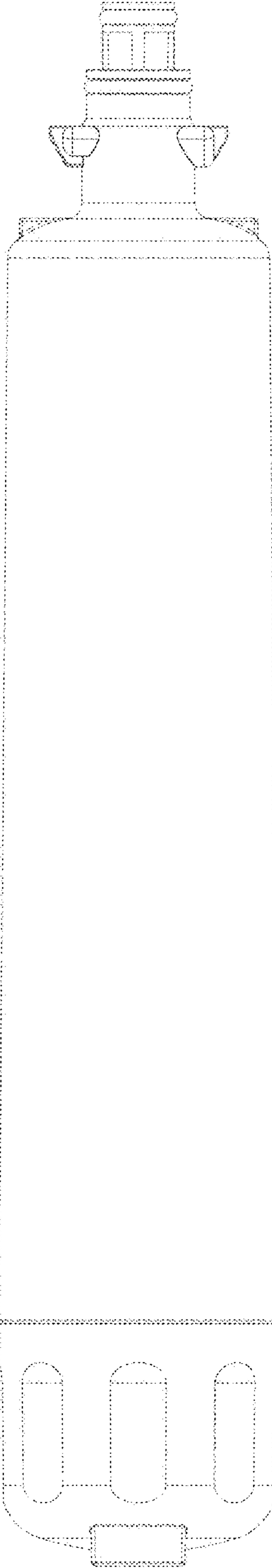


Fig. 2

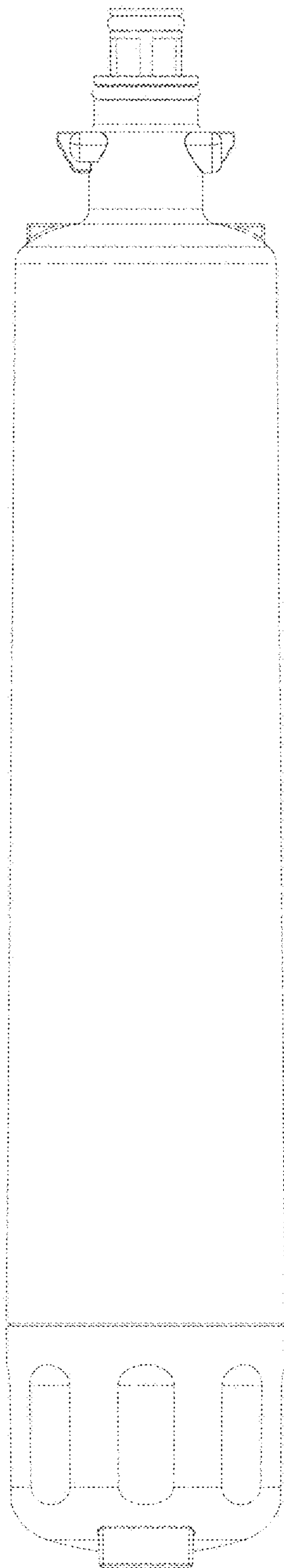


Fig. 3

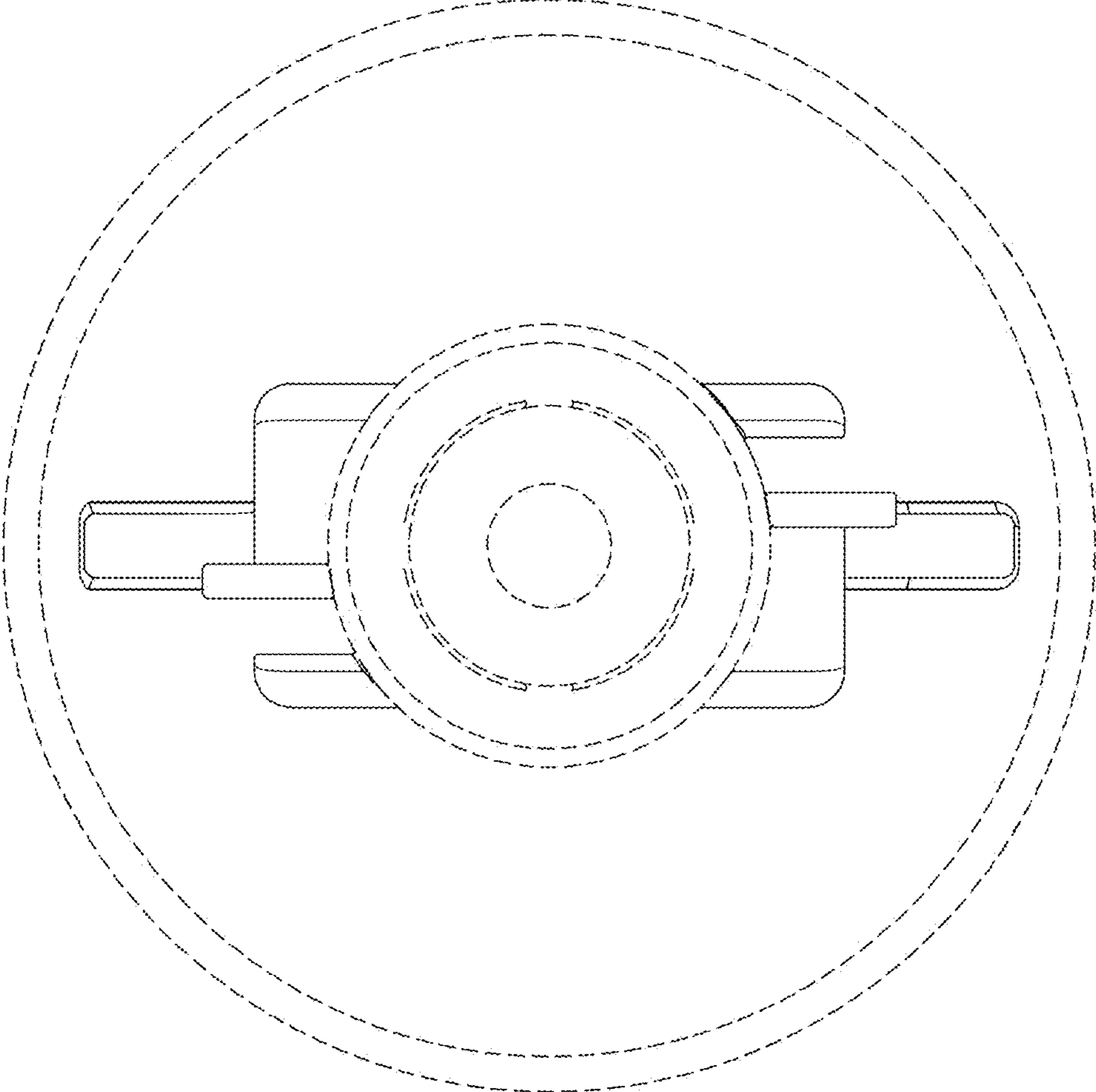


Fig. 4

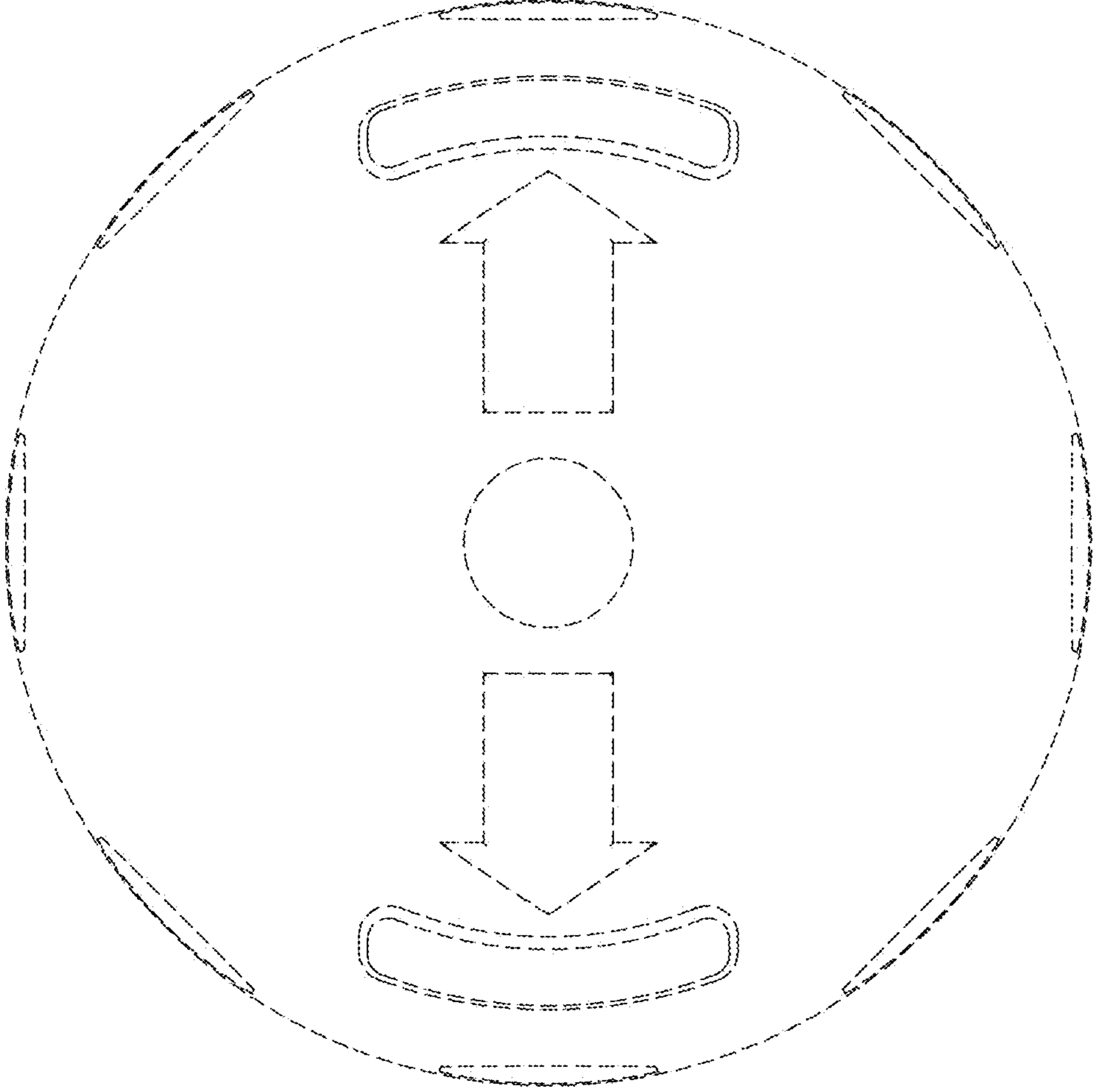


Fig. 5

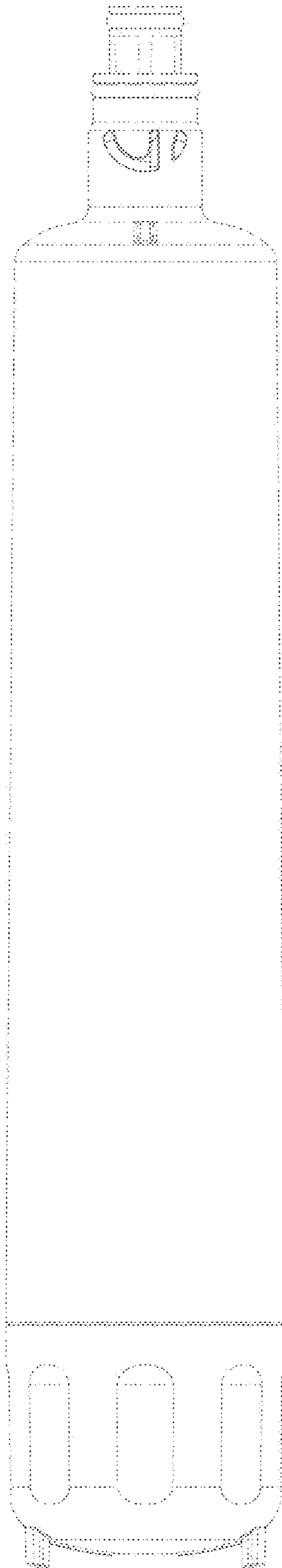


Fig. 6

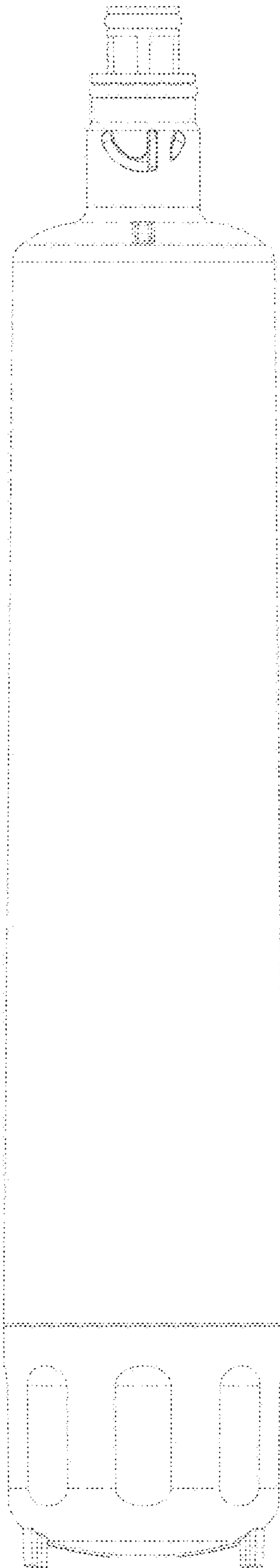


Fig. 7