



US00D952792S

(12) **United States Design Patent**  
**Goncalves**

(10) **Patent No.:** **US D952,792 S**

(45) **Date of Patent:** **\*\* May 24, 2022**

(54) **FISHING JIG HEAD**

(71) Applicant: **Steve Goncalves**, Midlothian, TX (US)

(72) Inventor: **Steve Goncalves**, Midlothian, TX (US)

(\*\*) Term: **15 Years**

(21) Appl. No.: **29/754,502**

(22) Filed: **Oct. 12, 2020**

(51) **LOC (13) Cl.** ..... **22-05**

(52) **U.S. Cl.**  
USPC ..... **D22/144**

(58) **Field of Classification Search**  
USPC ..... D22/126, 128-129, 144  
CPC ..... A01K 83/00; A01K 85/00; A01K 85/01;  
A01K 85/02; A01K 85/005; A01K 85/16;  
A01K 91/065; A01K 97/10; A01M 31/00;  
A01M 31/06  
See application file for complete search history.

(56) **References Cited**

**U.S. PATENT DOCUMENTS**

D215,090 S *	9/1969	Bruckner	.....	D22/126
D299,944 S *	2/1989	Haavig	.....	D22/126
5,081,786 A *	1/1992	Cobb	.....	A01K 85/00
				43/44.89
D507,624 S *	7/2005	Shastid	.....	D22/144
D586,423 S *	2/2009	Evans	.....	D22/144
D769,405 S *	10/2016	Johnson	.....	D22/144
D857,154 S *	8/2019	Robinson	.....	D22/144

D888,884 S *	6/2020	Hagopian	.....	D22/144
2008/0236022 A1 *	10/2008	Harrell	.....	A01K 85/00
				43/42.42
2013/0019517 A1 *	1/2013	Lorentz	.....	A01K 85/00
				29/527.3

**FOREIGN PATENT DOCUMENTS**

CA 2744097 \* 5/2012 ..... A01K 85/00

\* cited by examiner

*Primary Examiner* — Catherine R Oliver-Garcia

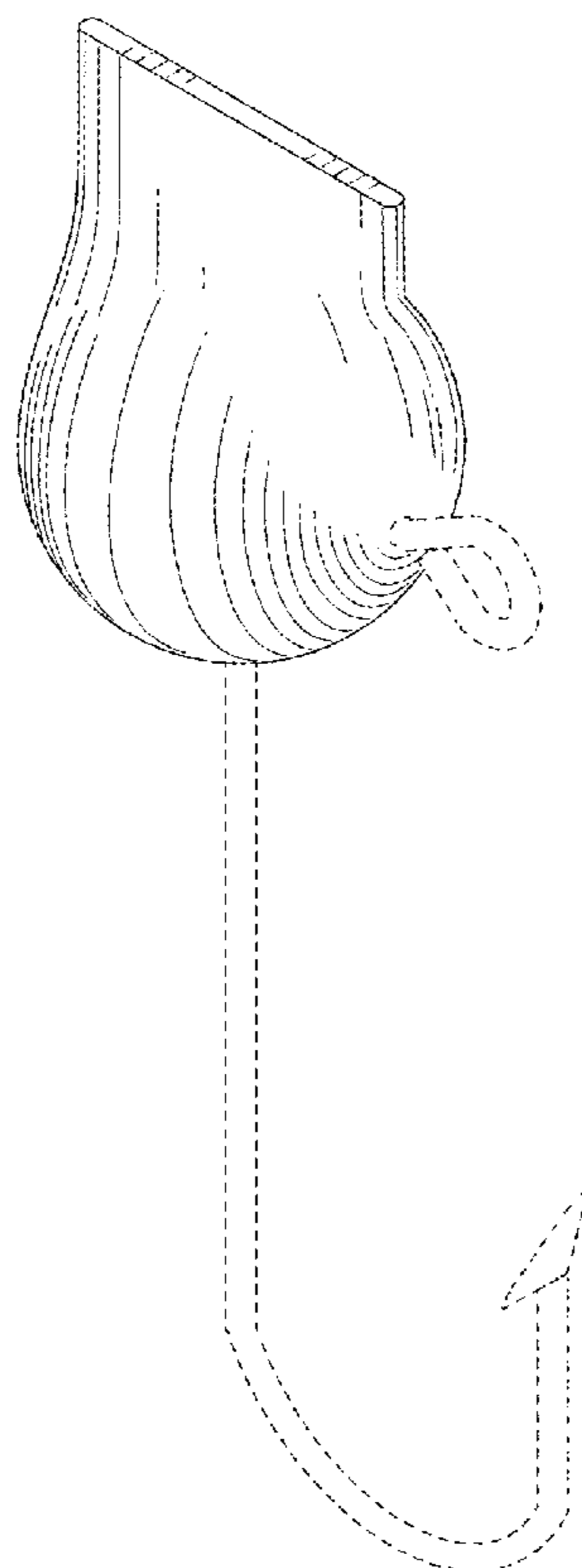
(57) **CLAIM**

The ornamental design for a fishing jig head, as shown and described.

**DESCRIPTION**

FIG. 1 is a front-top-right perspective view of a fishing jig head showing my new design;  
FIG. 2 is a front-top-left perspective view thereof;  
FIG. 3 is a rear-bottom-right perspective view thereof;  
FIG. 4 is a front elevational view thereof;  
FIG. 5 is a rear elevational view thereof;  
FIG. 6 is a top plan view thereof;  
FIG. 7 is a bottom view thereof;  
FIG. 8 is a right-side elevational view thereof; and,  
FIG. 9 is a left-side elevational view thereof.  
The broken line showing of a hook in FIGS. 1-9 is included for the purpose of showing environmental structure and forms no part of the claimed design.

**1 Claim, 9 Drawing Sheets**



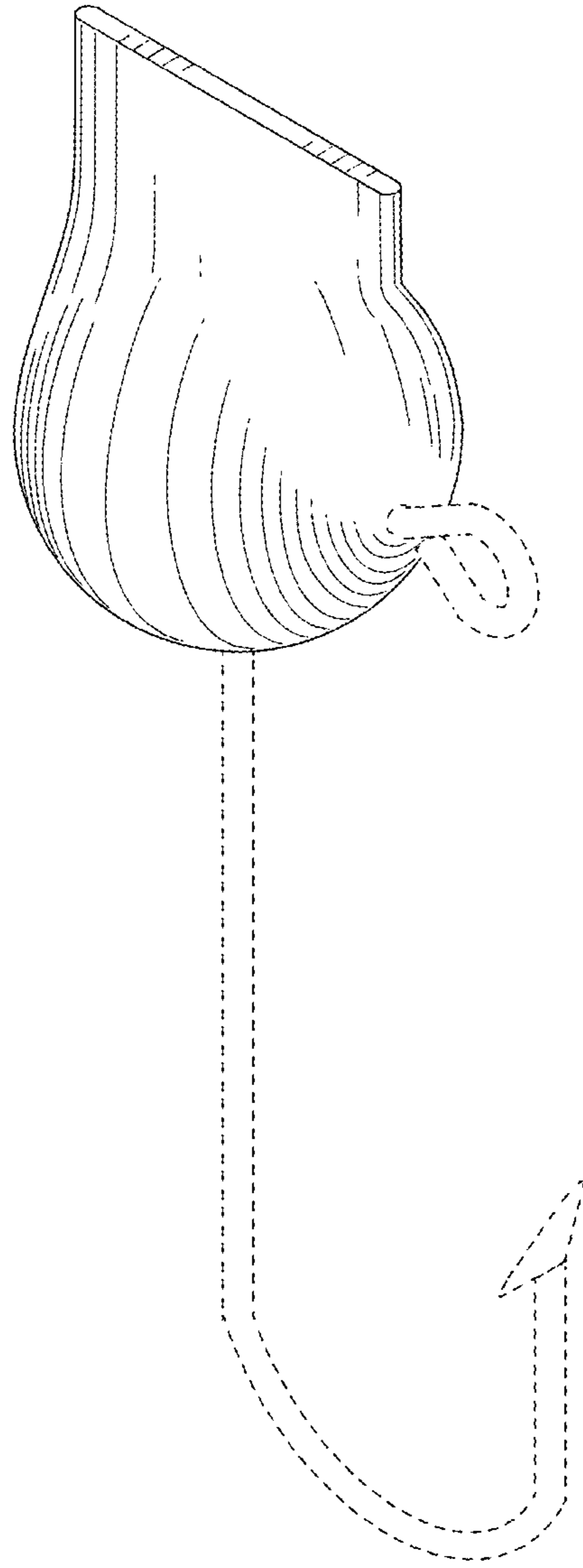


FIG. 1

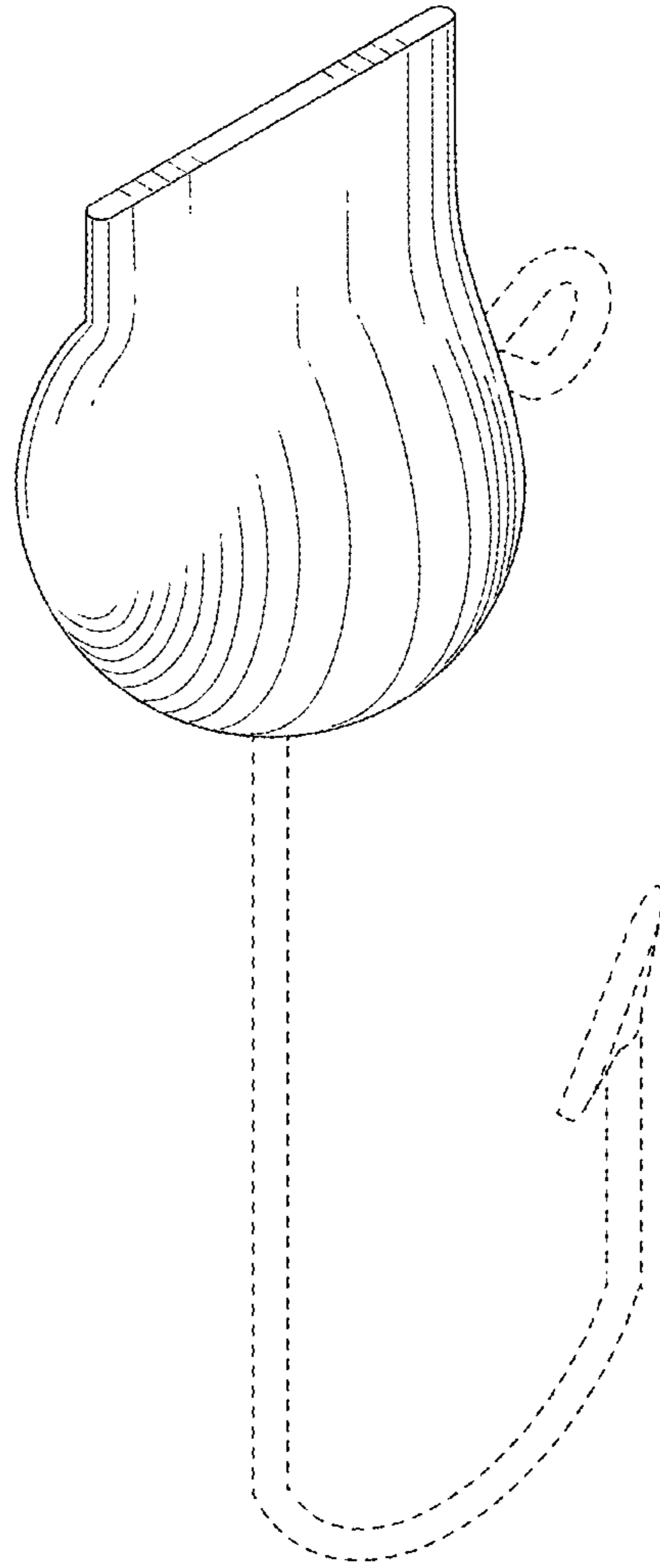


FIG. 2

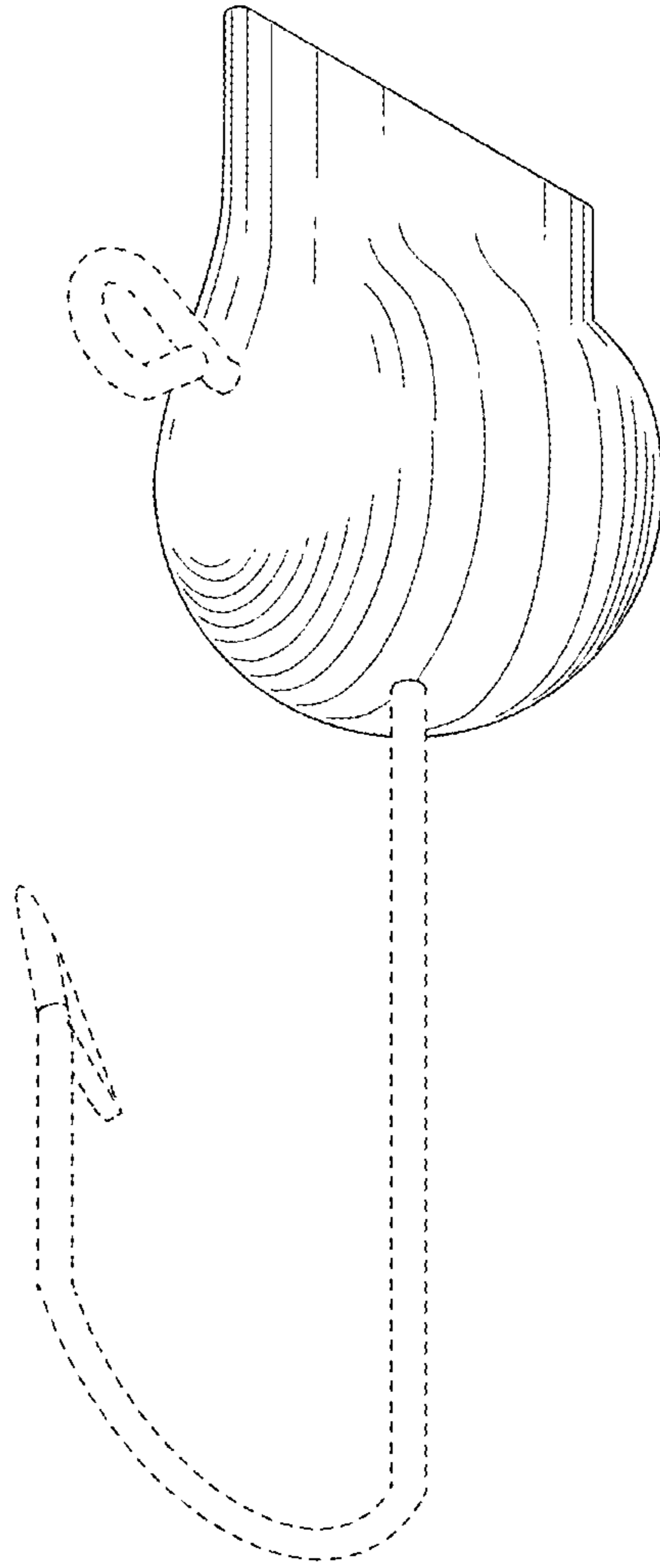


FIG. 3

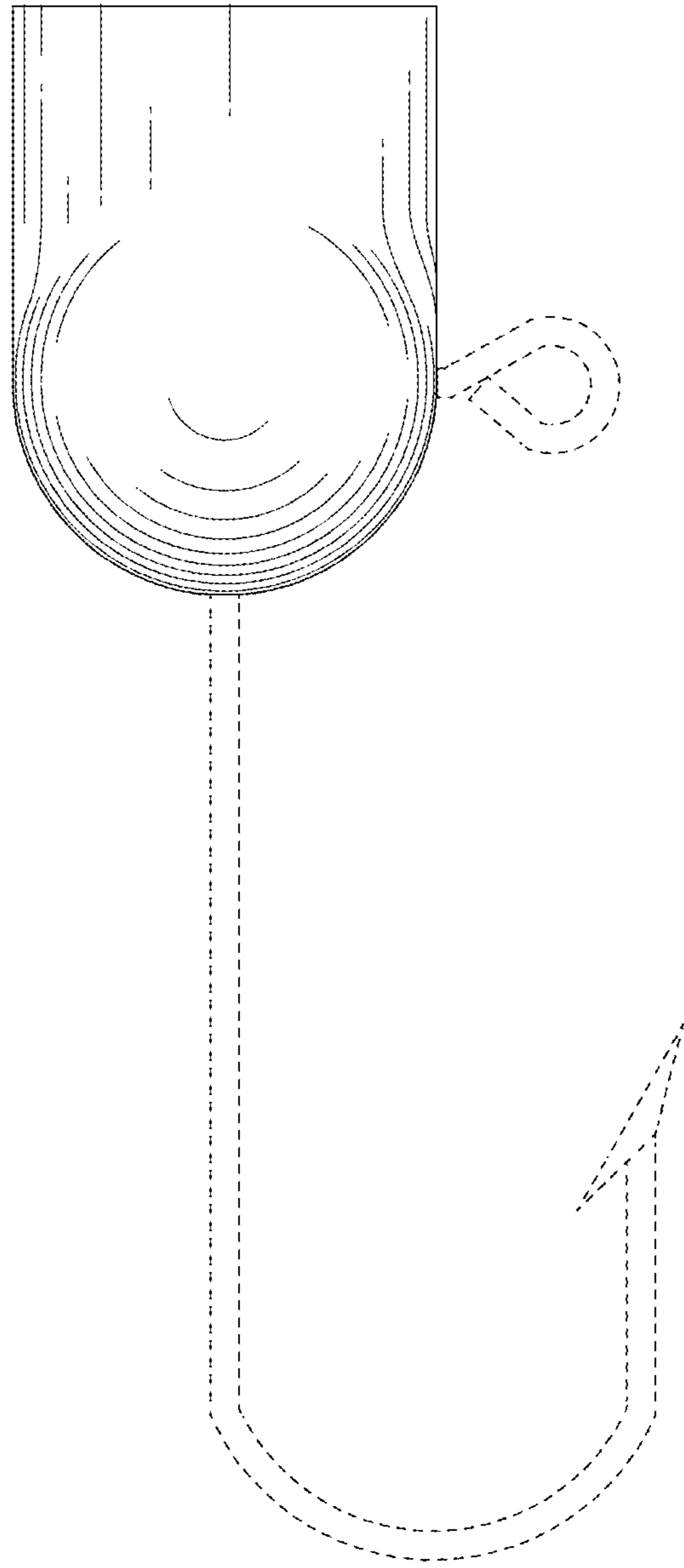


FIG. 4

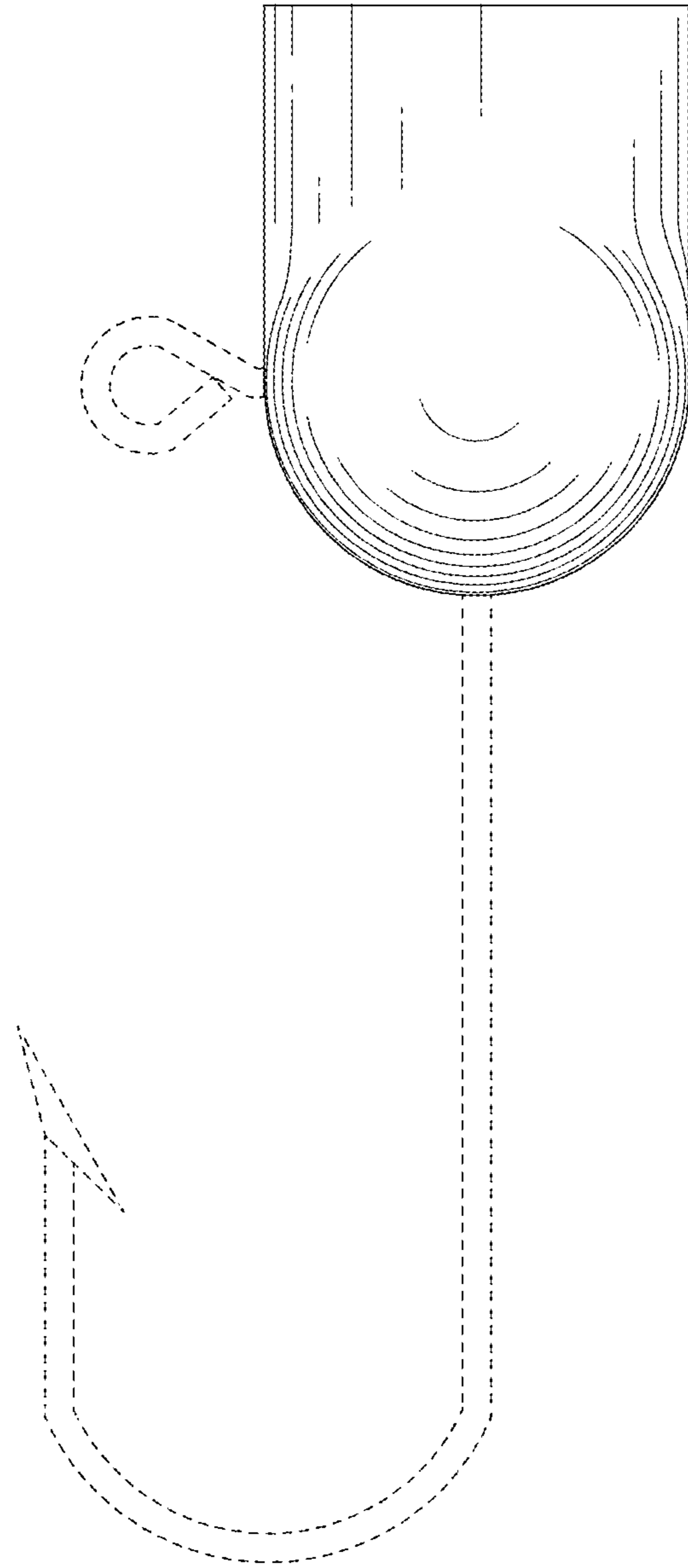


FIG. 5

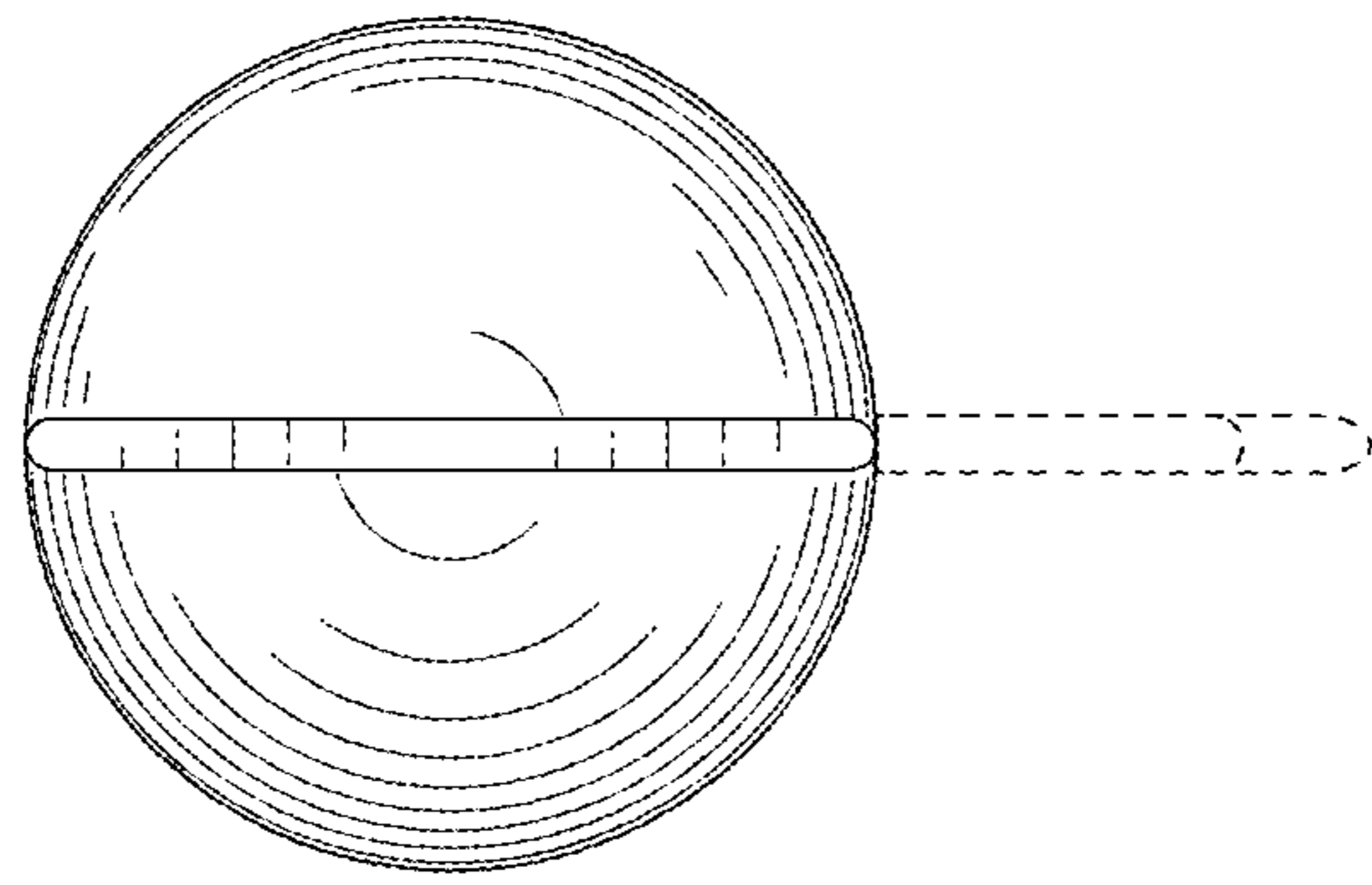


FIG. 6

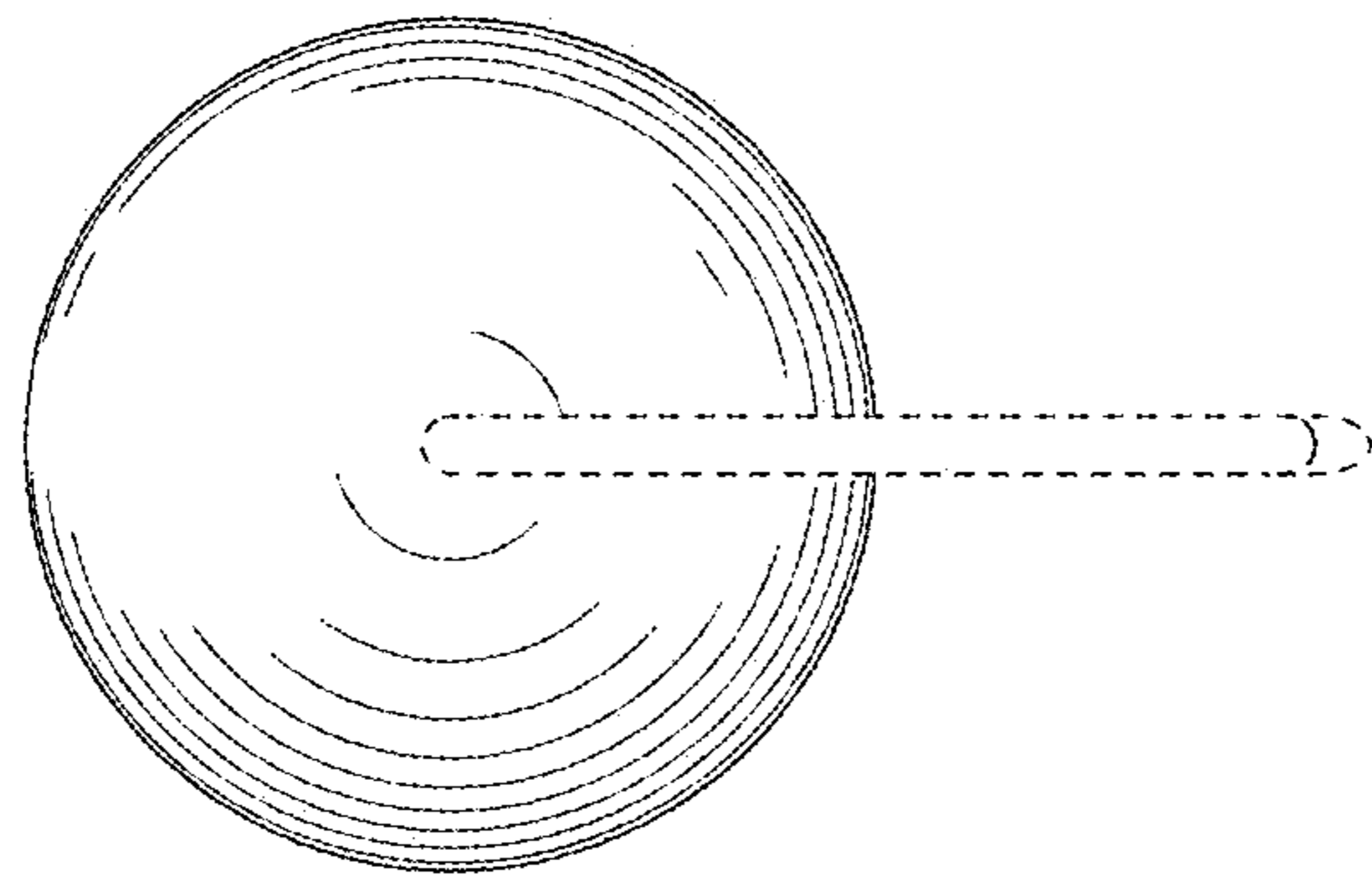


FIG. 7



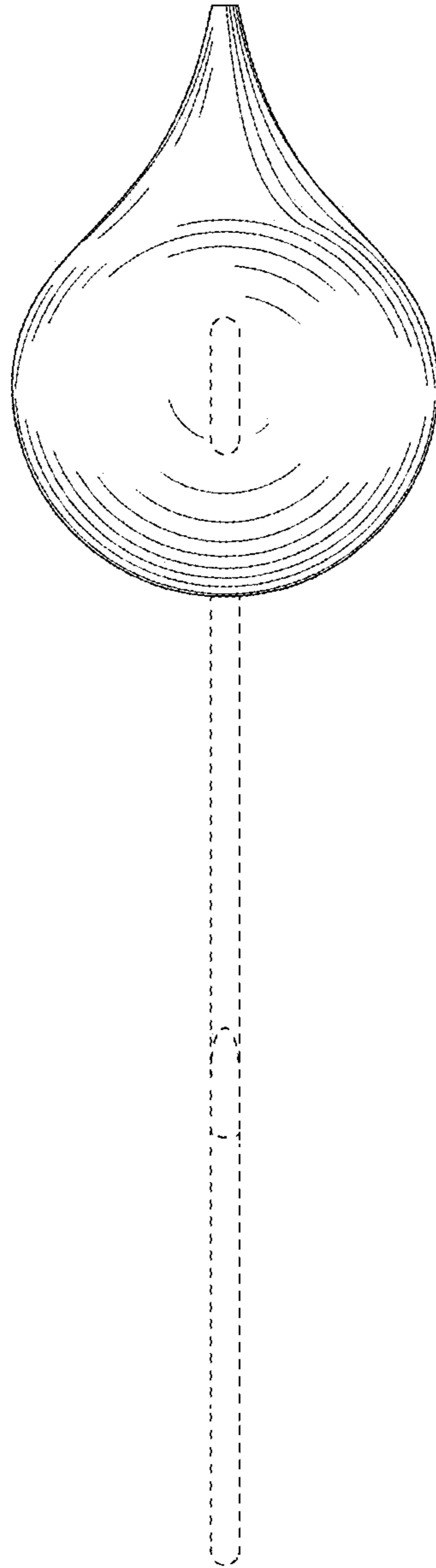


FIG. 8

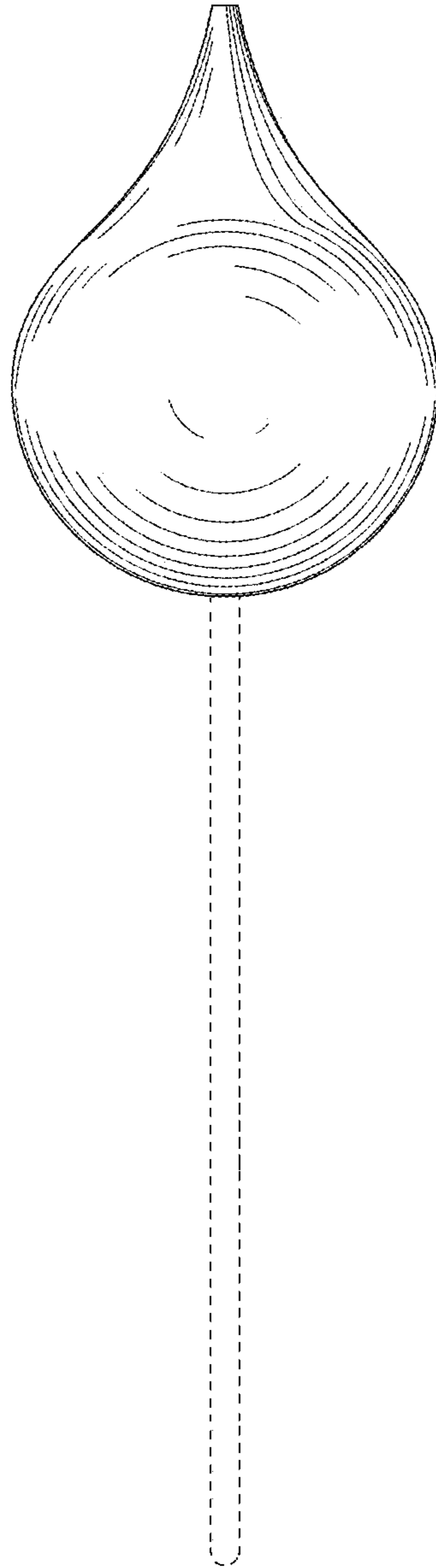


FIG. 9



US00D952792C1

(12) **EX PARTE REEXAMINATION CERTIFICATE** (12365th)  
**United States Patent**  
**Goncalves**

(10) **Number:** **US D952,792 C1**  
(45) **Certificate Issued:** **Aug. 16, 2023**

(54) **FISHING JIG HEAD**

(71) Applicant: **Steve Goncalves**, Midlothian, TX (US)

(72) Inventor: **Steve Goncalves**, Midlothian, TX (US)

**Reexamination Request:**

No. 90/015,110, Aug. 31, 2022

**Reexamination Certificate for:**

Patent No.: **Des. 952,792**  
Issued: **May 24, 2022**  
Appl. No.: **29/754,502**  
Filed: **Oct. 12, 2020**

(51) **LOC (14) Cl.** ..... **22-05**

(52) **U.S. Cl.**  
USPC ..... **D22/144**

(58) **Field of Classification Search**

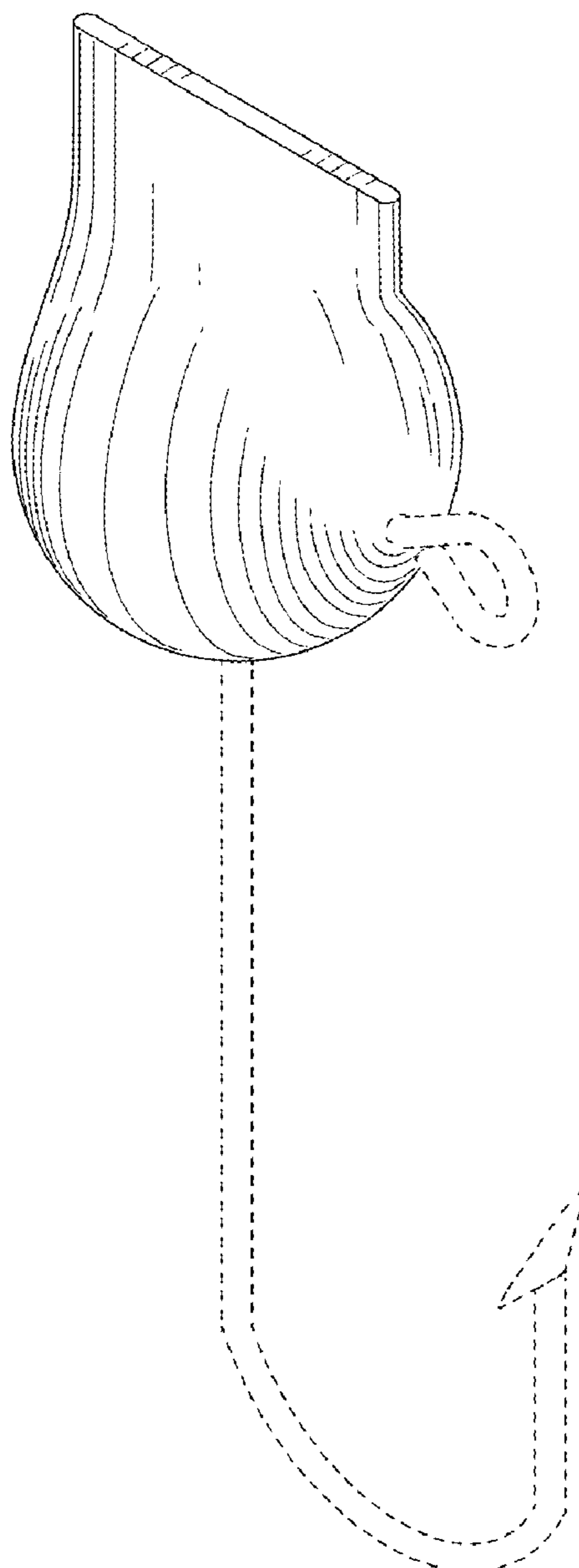
USPC ..... D22/144, 145, 146, 133, 126  
CPC ..... A01K 83/00; A01K 85/00; A01K 85/01;  
A01K 85/02; A01K 85/005; A01K 85/16;  
A01K 91/065; A01K 97/10; A01M 31/00;  
A01M 31/06

See application file for complete search history.

(56) **References Cited**

To view the complete listing of prior art documents cited during the proceeding for Reexamination Control Number 90/015,110, please refer to the USPTO's Patent Electronic System.

*Primary Examiner* — Philip S Hyder



**1**  
**EX PARTE**  
**REEXAMINATION CERTIFICATE**

THE PATENT IS HEREBY AMENDED AS  
INDICATED BELOW.

5

AS A RESULT OF REEXAMINATION, IT HAS BEEN  
DETERMINED THAT:

The claim 1 is cancelled.

10

\* \* \* \* \*