



US00D952789S

(12) **United States Design Patent**
Long

(10) **Patent No.:** **US D952,789 S**

(45) **Date of Patent:** **** May 24, 2022**

(54) **UMBRELLA FISHING LURE WITH
MULTIPLE FLEXIBLE INTERNALLY
SECURED ARMS**

(71) Applicant: **Saxton Long**, Knoxville, TN (US)

(72) Inventor: **Saxton Long**, Knoxville, TN (US)

(**) Term: **15 Years**

(21) Appl. No.: **29/743,503**

(22) Filed: **Jul. 22, 2020**

(51) **LOC (13) Cl.** **22-05**

(52) **U.S. Cl.**
USPC **D22/129**

(58) **Field of Classification Search**
USPC D22/126, 128-129
CPC A01K 85/00; A01K 85/02; A01K 85/005;
A01K 85/14; A01K 85/16; A01K 85/18;
A01K 83/02; A01K 91/03; A01K 91/053
See application file for complete search history.

(56) **References Cited**

U.S. PATENT DOCUMENTS

4,920,687 A *	5/1990	Barnett	A01K 91/053 43/42.74
D684,236 S *	6/2013	Rago	D22/129
D707,326 S *	6/2014	Moehring	D22/129
D707,787 S *	6/2014	Moehring	D22/129
D738,988 S *	9/2015	Ingram	D22/129
D770,591 S *	11/2016	Szoke, Jr.	D22/126
D837,339 S *	1/2019	Sandefur	D22/129

OTHER PUBLICATIONS

Strike King Tour Grade Titanium Umbrella Rig Blue Gizzard . . .
<https://www.amazon.com/Strike-King-Titanium-Willow-Gizzard/>

dp/B00LDY8DK/ref=sr_1_33?keywords=umbrella+rif&qid=1641068942&sr=8-33 (Year: 2014).*

Sea Striker 4-Arm Umbrella Rigs/ Heavy Wire Fishing Rigs . . .
https://www.amazon.com/Sea-Striker-4-Arm-Umbrella-Rig/dp/B004RDMIN8/ref=cm_cr_arp_d_pl_foot_top?ie=UTF8&th=1&psc=1 (Year: 2012).*

* cited by examiner

Primary Examiner — Catherine R Oliver-Garcia
(74) *Attorney, Agent, or Firm* — Butler Snow LLP

(57) **CLAIM**

I claim the ornamental design for an umbrella fishing lure with multiple flexible internally secured arms, as shown and described.

DESCRIPTION

FIG. 1 is an isometric view of the top of the fishing lure according to the present application.

FIG. 2 is an isometric view of the bottom of the fishing lure of FIG. 1.

FIG. 3 is a front view of the fishing lure of FIG. 1.

FIG. 4 is right side view of the fishing lure of FIG. 1.

FIG. 5 is a rear view of fishing lure of FIG. 1.

FIG. 6 is a left side view of the fishing lure of FIG. 1.

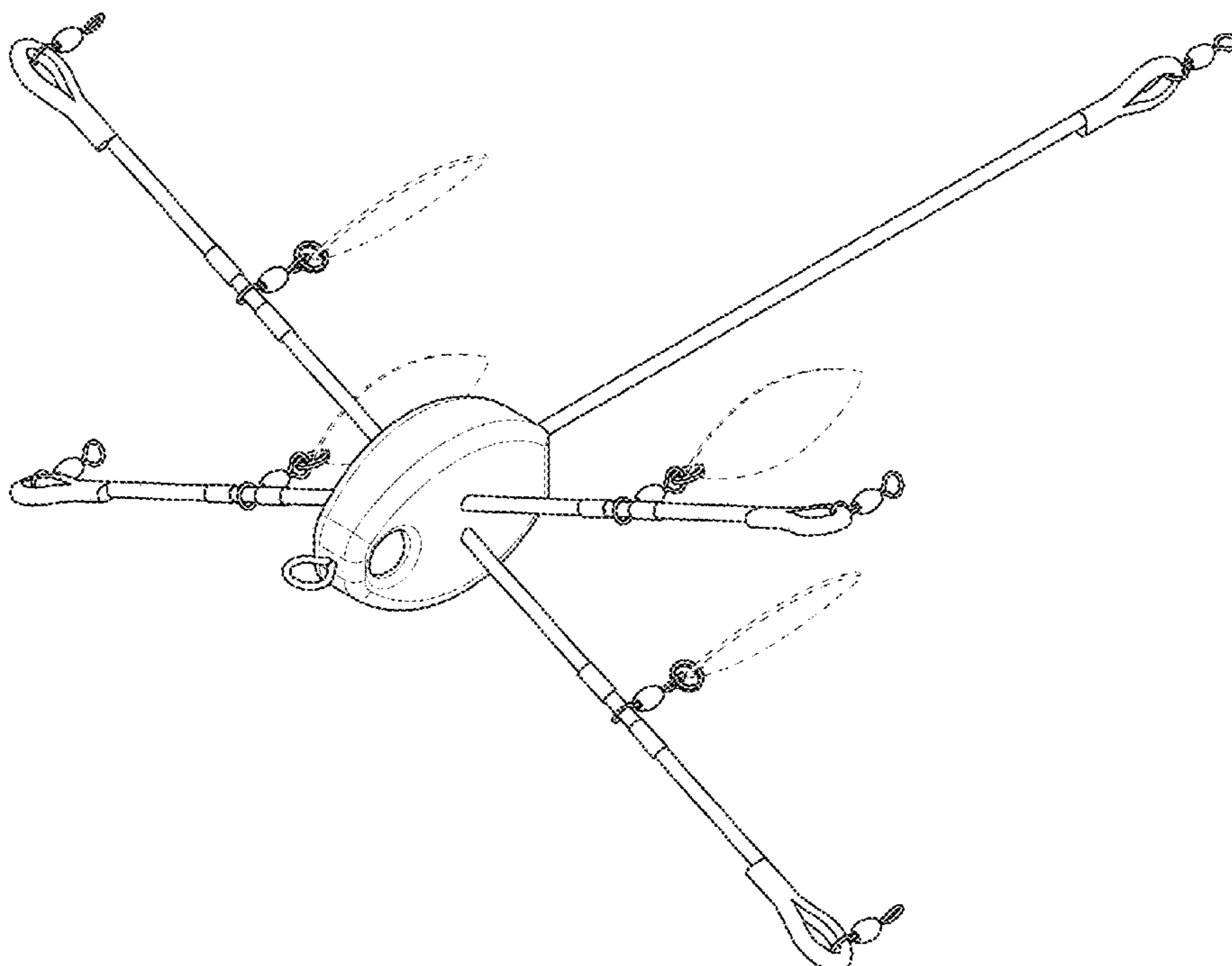
FIG. 7 is a top view of the fishing lure of FIG. 1; and,

FIG. 8 is a bottom view of the fishing lure of FIG. 1.

FIGS. 1-8 illustrate an umbrella fishing lure with multiple flexible arms extending out of the head with internal anchors to keep said arms in place.

The broken line showing of willow blades is included for the purpose of illustrating environmental structure and forms no part of the claimed design.

1 Claim, 8 Drawing Sheets



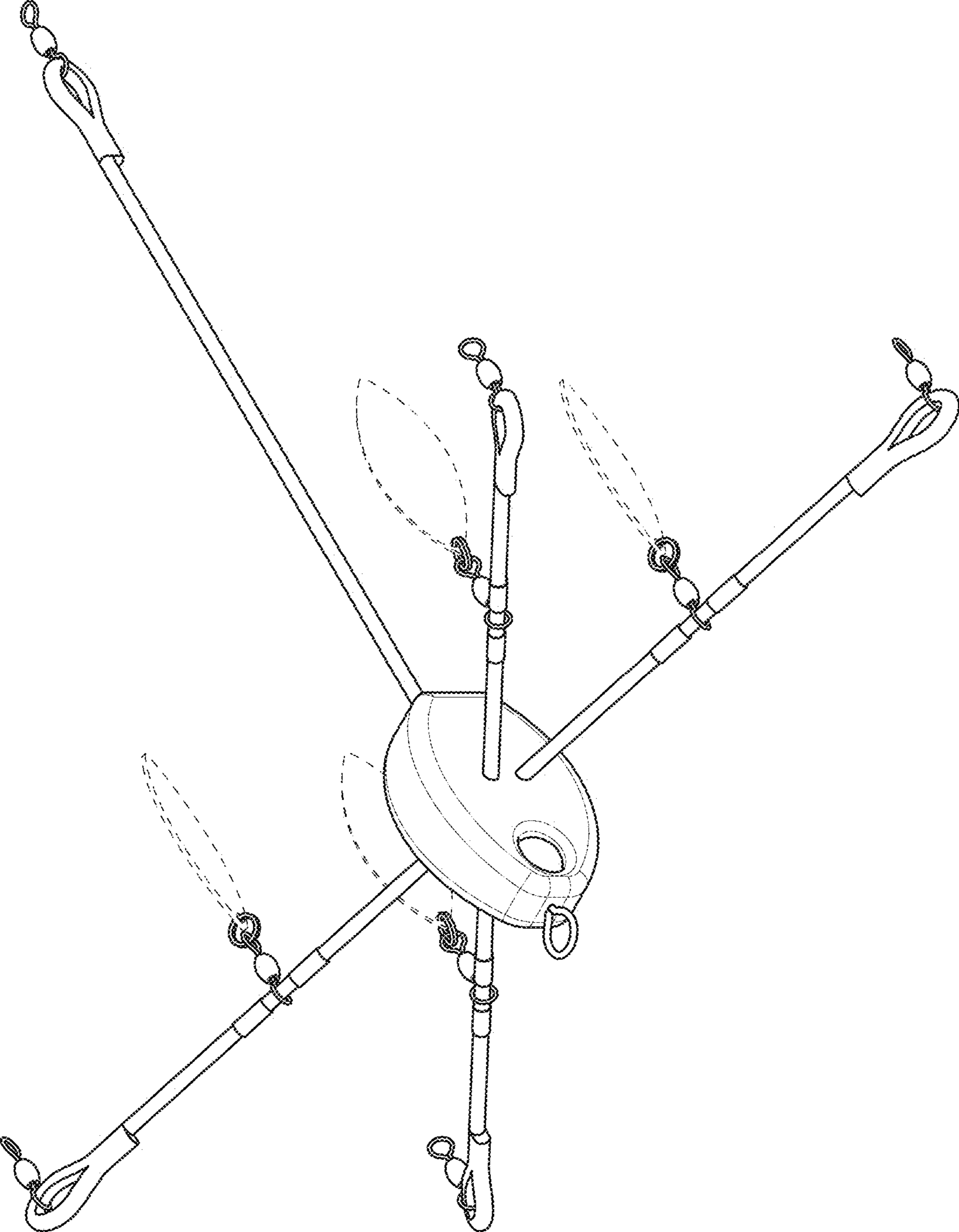


FIG. 1

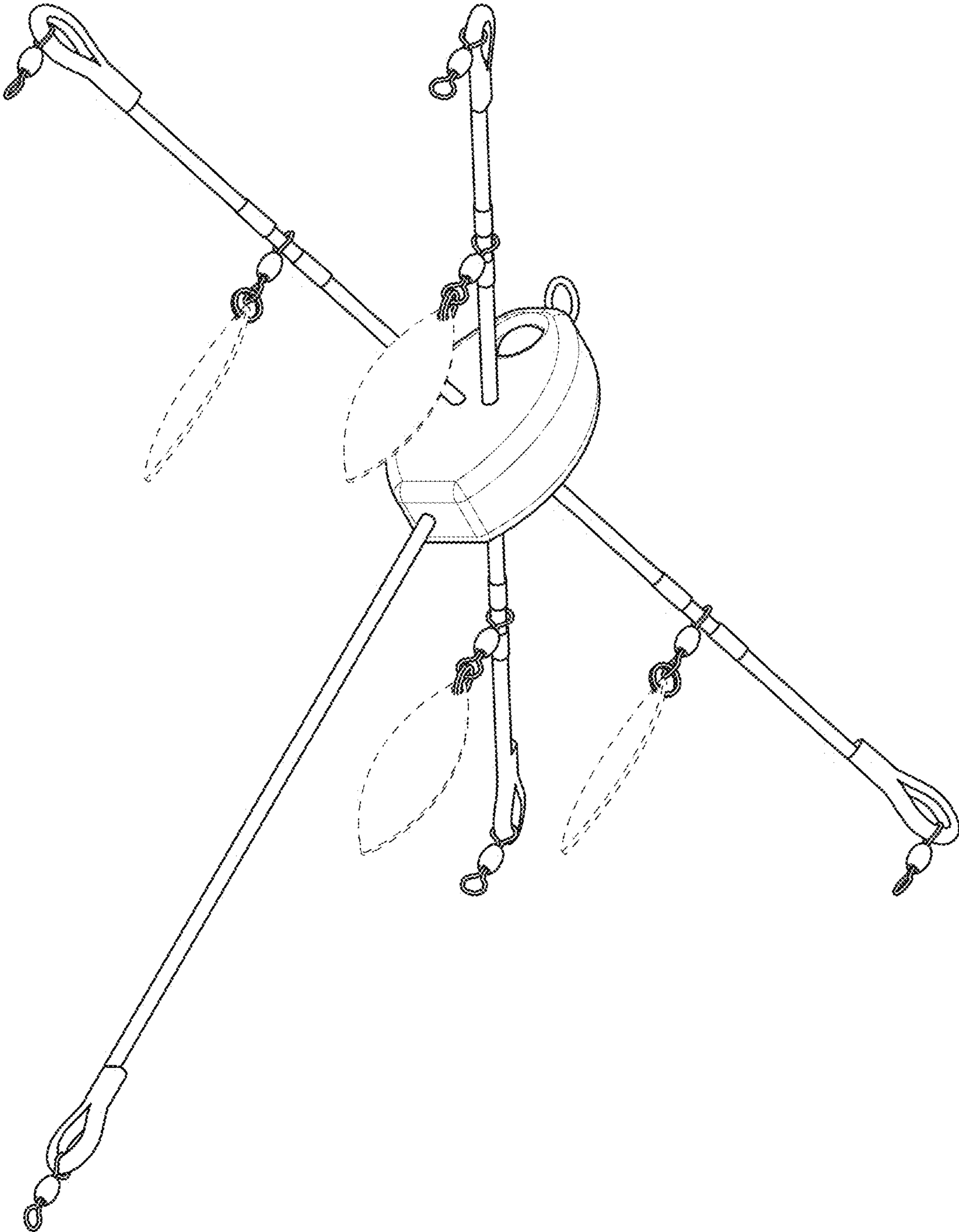


FIG. 2

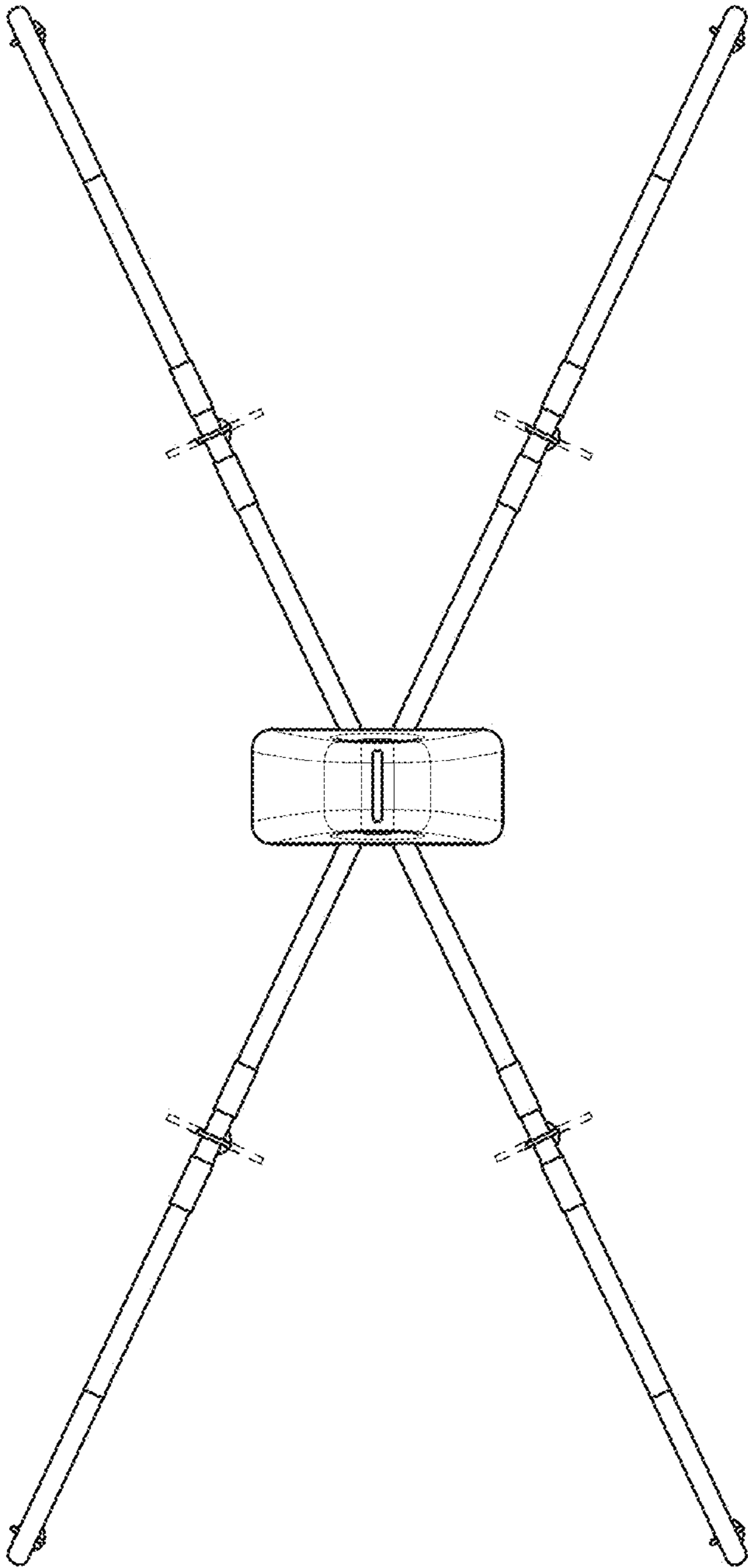


FIG. 3

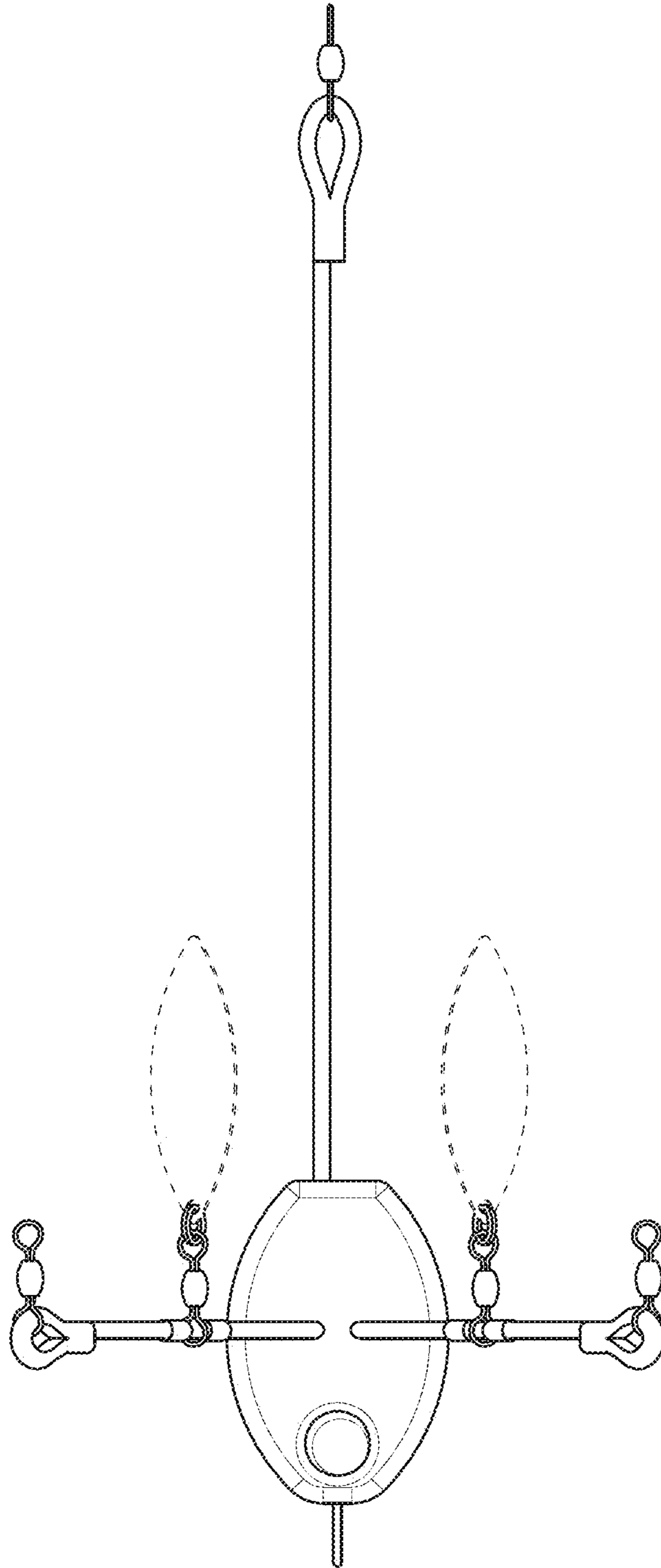


FIG. 4

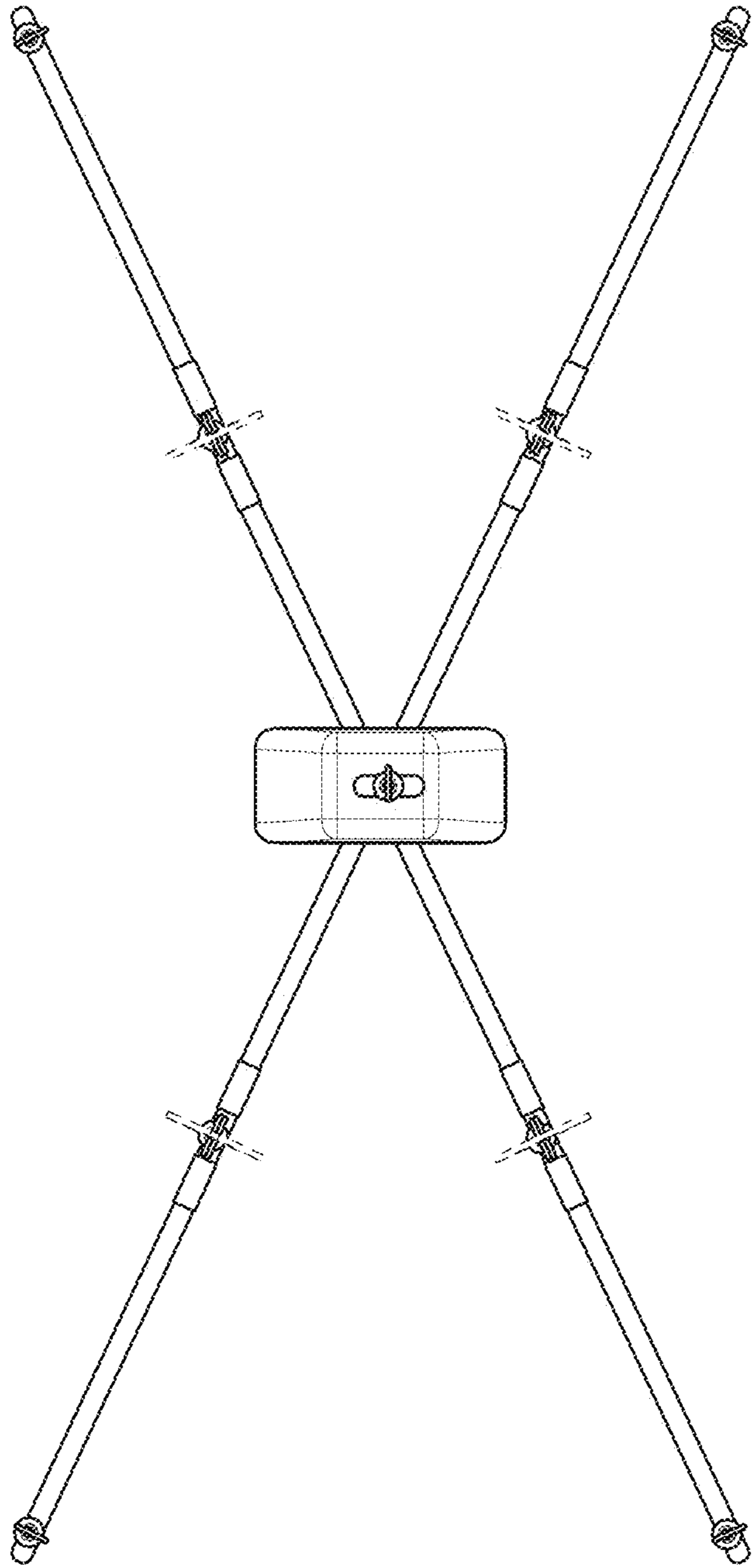


FIG. 5

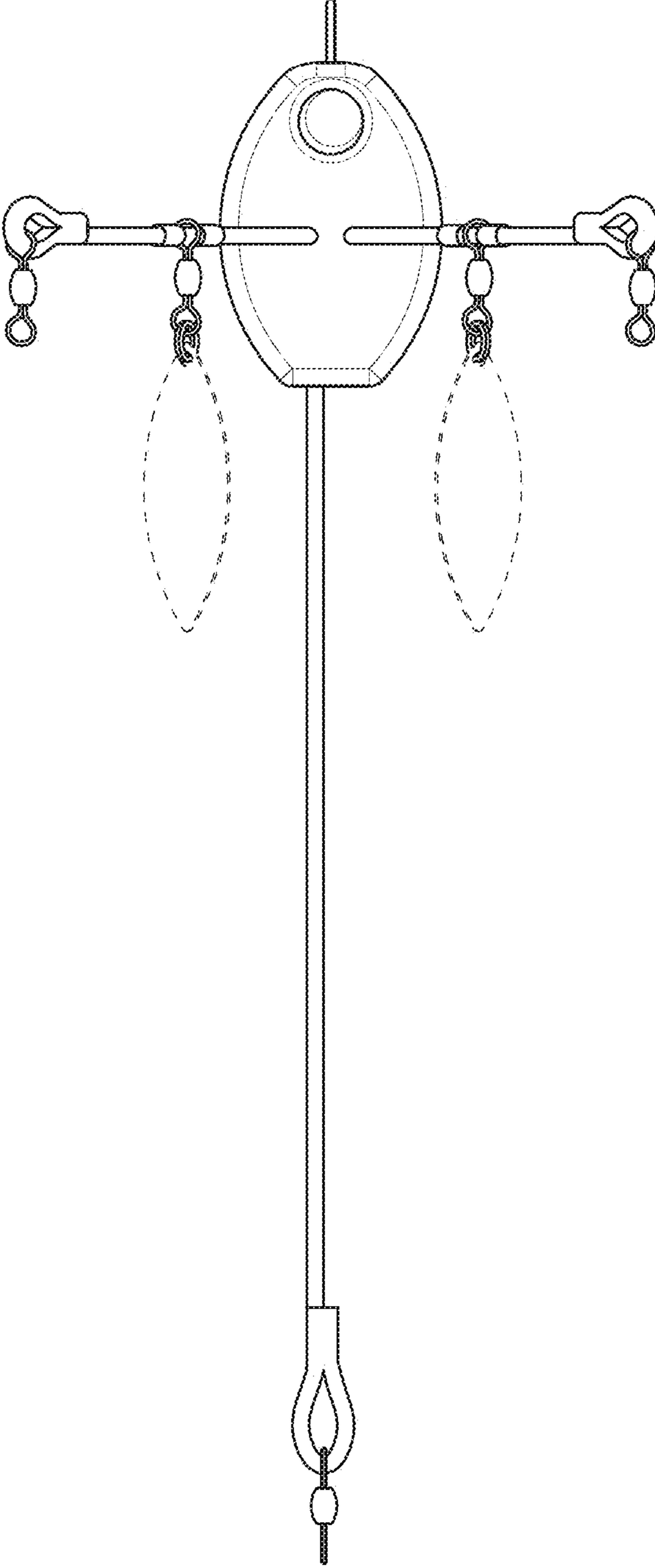


FIG. 6

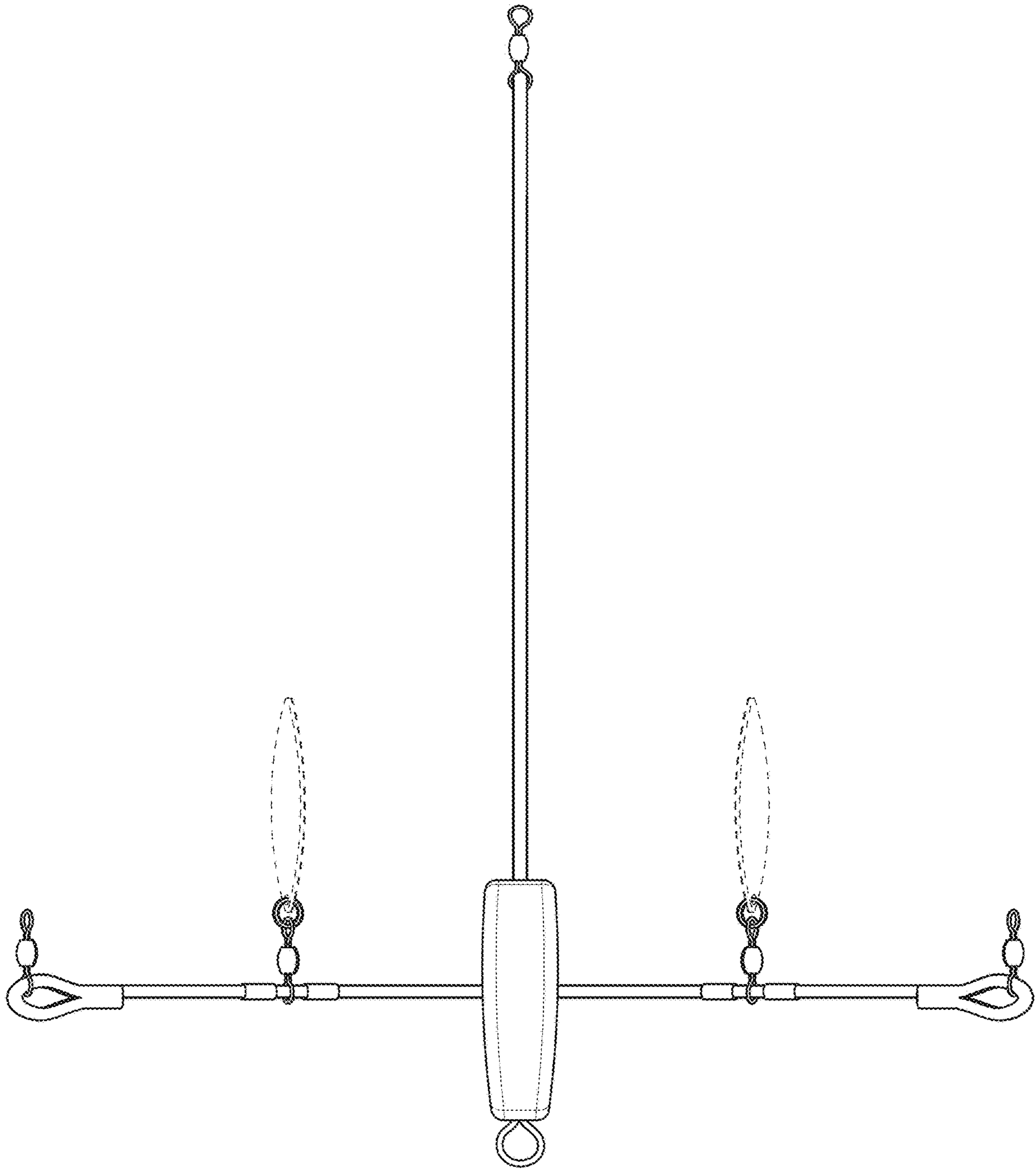


FIG. 7

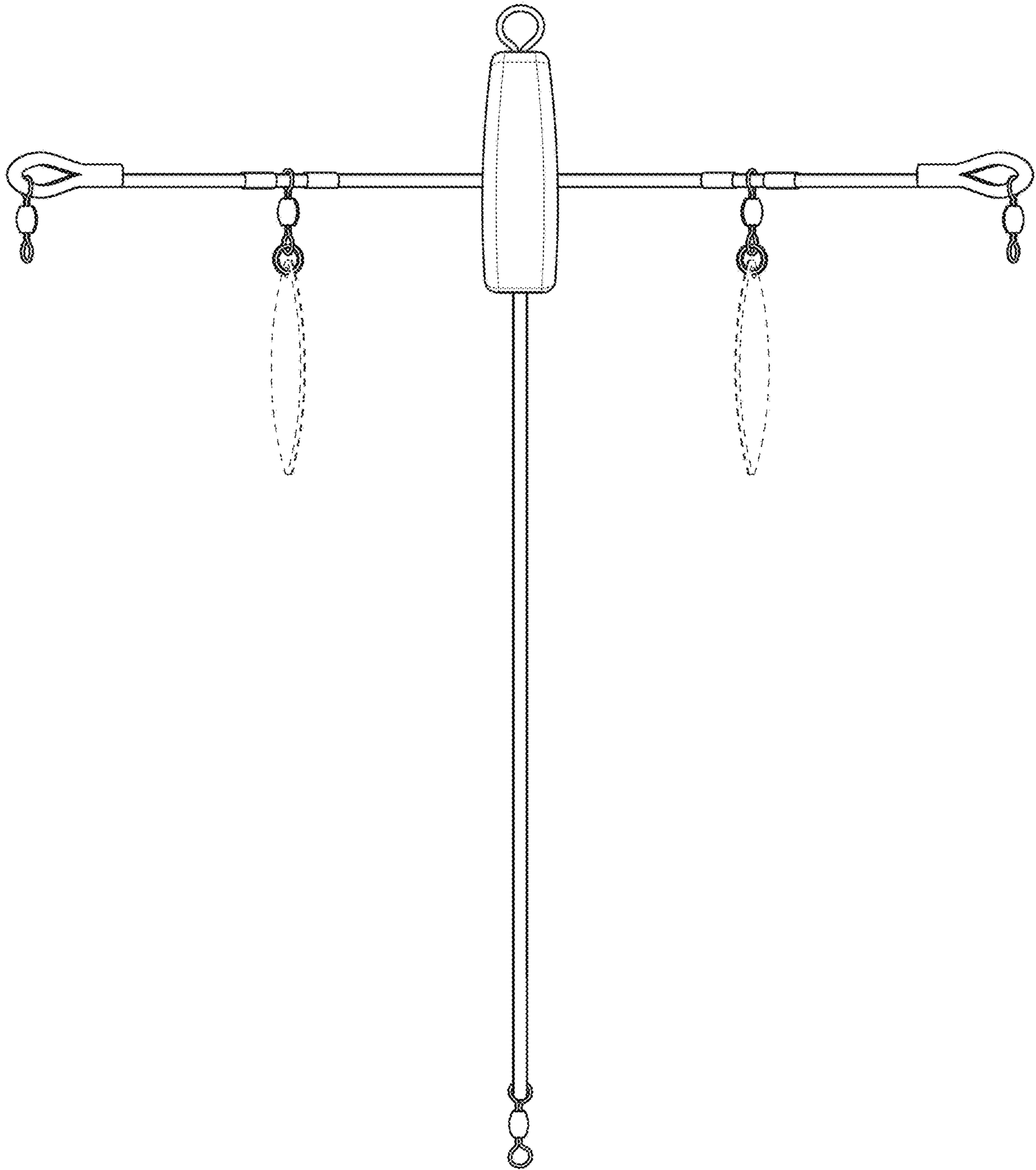


FIG. 8