



US00D952788S

(12) **United States Design Patent** (10) **Patent No.:** **US D952,788 S**  
**Wang** (45) **Date of Patent:** **\*\* May 24, 2022**

(54) **MOUSE REPELLER**

D919,741 S \* 5/2021 He ..... D22/120  
D936,173 S \* 11/2021 Wu ..... D22/120  
2017/0318797 A1\* 11/2017 Smith ..... A01M 31/002

(71) Applicant: **Cheng Wang**, Yongzhou (CN)

(72) Inventor: **Cheng Wang**, Yongzhou (CN)

(\*\*) Term: **15 Years**

(21) Appl. No.: **29/760,496**

(22) Filed: **Dec. 2, 2020**

(51) **LOC (13) Cl.** ..... **22-06**

(52) **U.S. Cl.**  
USPC ..... **D22/120**

(58) **Field of Classification Search**  
USPC ..... D22/120, 122-123, 119; D23/366-369;  
D26/26  
CPC ..... A01M 1/02; A01M 1/026; A01M 1/04;  
A01M 1/20; A01M 1/2066; A01M 1/223;  
A01M 29/12; A01M 1/2088; A01M  
2200/012; A01M 1/2055; A01M 17/002;  
A01M 31/002; A01M 29/16; A01M  
29/18; A61L 9/122

See application file for complete search history.

(56) **References Cited**

**U.S. PATENT DOCUMENTS**

9,204,622 B2 \* 12/2015 Wong ..... A01M 29/12  
D856,464 S \* 8/2019 Long ..... D22/120  
D869,598 S \* 12/2019 Gu ..... D22/120  
D880,647 S \* 4/2020 Gu ..... D22/120  
D897,485 S \* 9/2020 He ..... D22/120

**OTHER PUBLICATIONS**

[https://www.amazon.com/Ultrasonic-Repelling-Electronic-Repellent-Squirrels/dp/B081F5WL6W/ref=sr\\_1\\_47?crd=12VGR8SZU4R81&keywords=mouse+repeller&qid=1646872184&sprefix=mouse+repeller%2Caps%2C58&sr=8-47](https://www.amazon.com/Ultrasonic-Repelling-Electronic-Repellent-Squirrels/dp/B081F5WL6W/ref=sr_1_47?crd=12VGR8SZU4R81&keywords=mouse+repeller&qid=1646872184&sprefix=mouse+repeller%2Caps%2C58&sr=8-47) (Year: 2021).\*

\* cited by examiner

*Primary Examiner* — Catherine R Oliver-Garcia

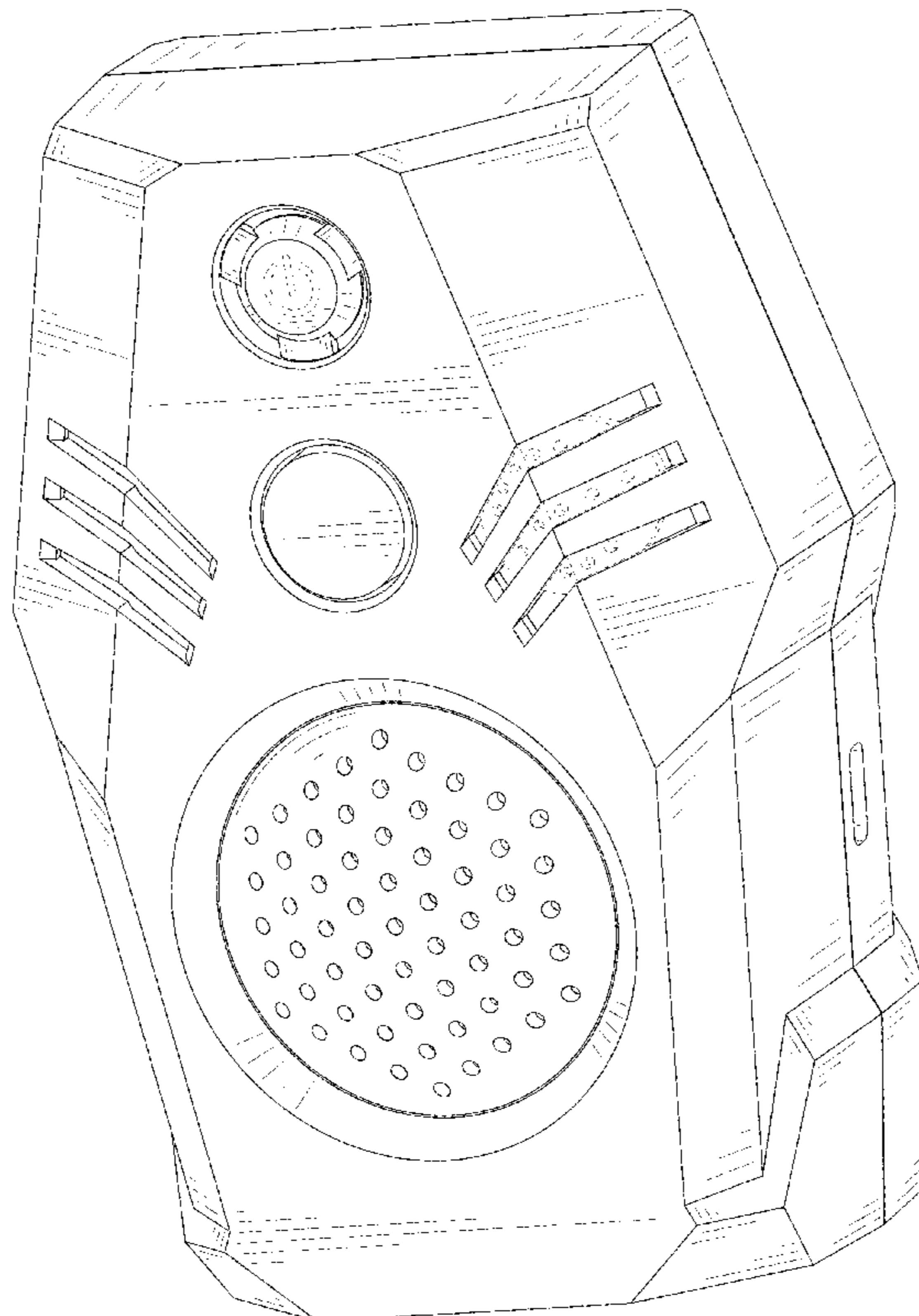
(57) **CLAIM**

The ornamental design for a mouse repeller, as shown and described.

**DESCRIPTION**

FIG. 1 is a perspective view of a mouse repeller showing my new design;  
FIG. 2 is another perspective view thereof;  
FIG. 3 is a front elevational view thereof;  
FIG. 4 is a rear elevational view thereof;  
FIG. 5 is a left side elevational view thereof;  
FIG. 6 is a right side elevational view thereof;  
FIG. 7 is a top plan view thereof; and,  
FIG. 8 is a bottom plan view thereof.  
The broken lines in the drawings depict portions of the mouse repeller that form no part of the claimed design.

**1 Claim, 8 Drawing Sheets**



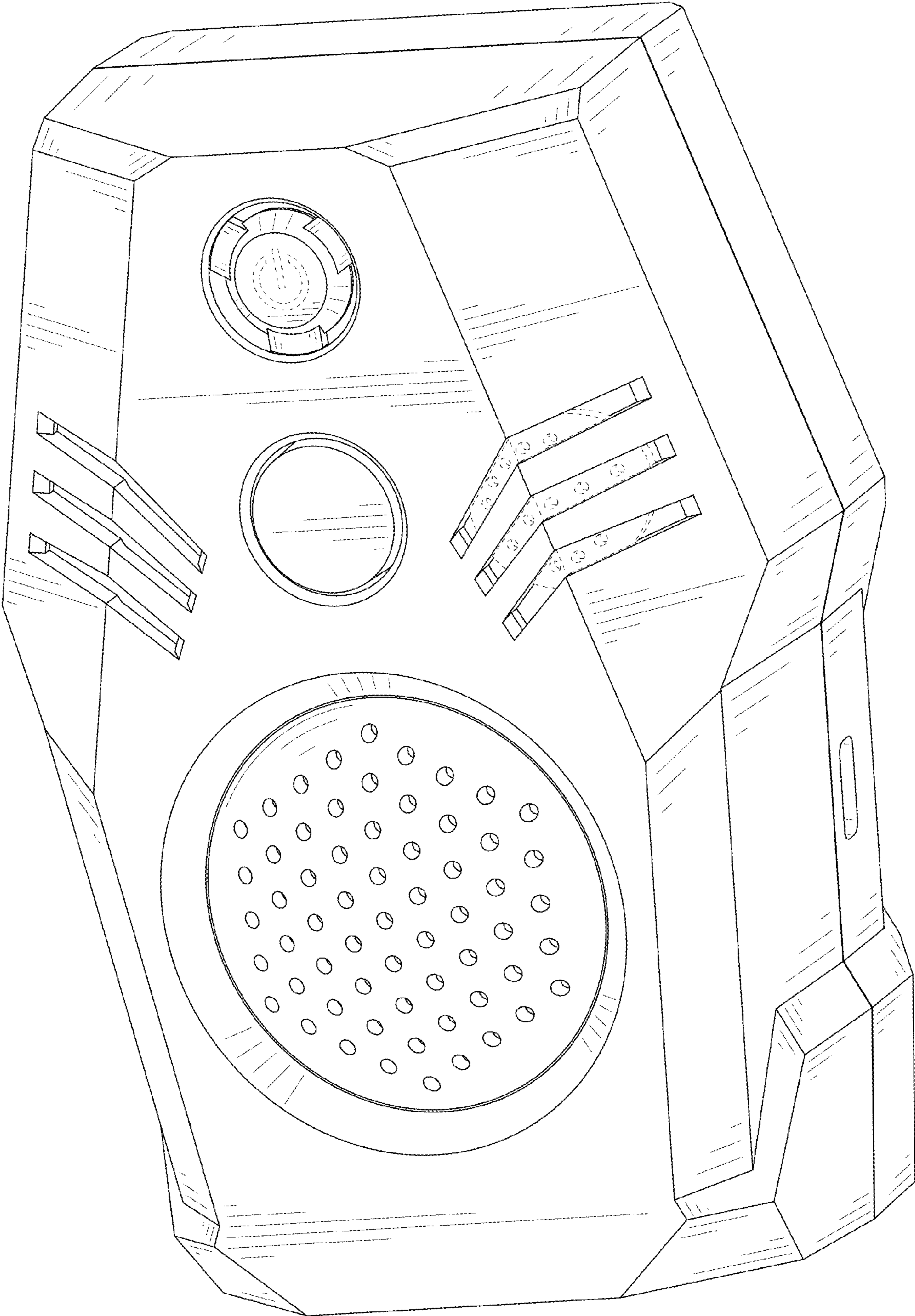


FIG. 1

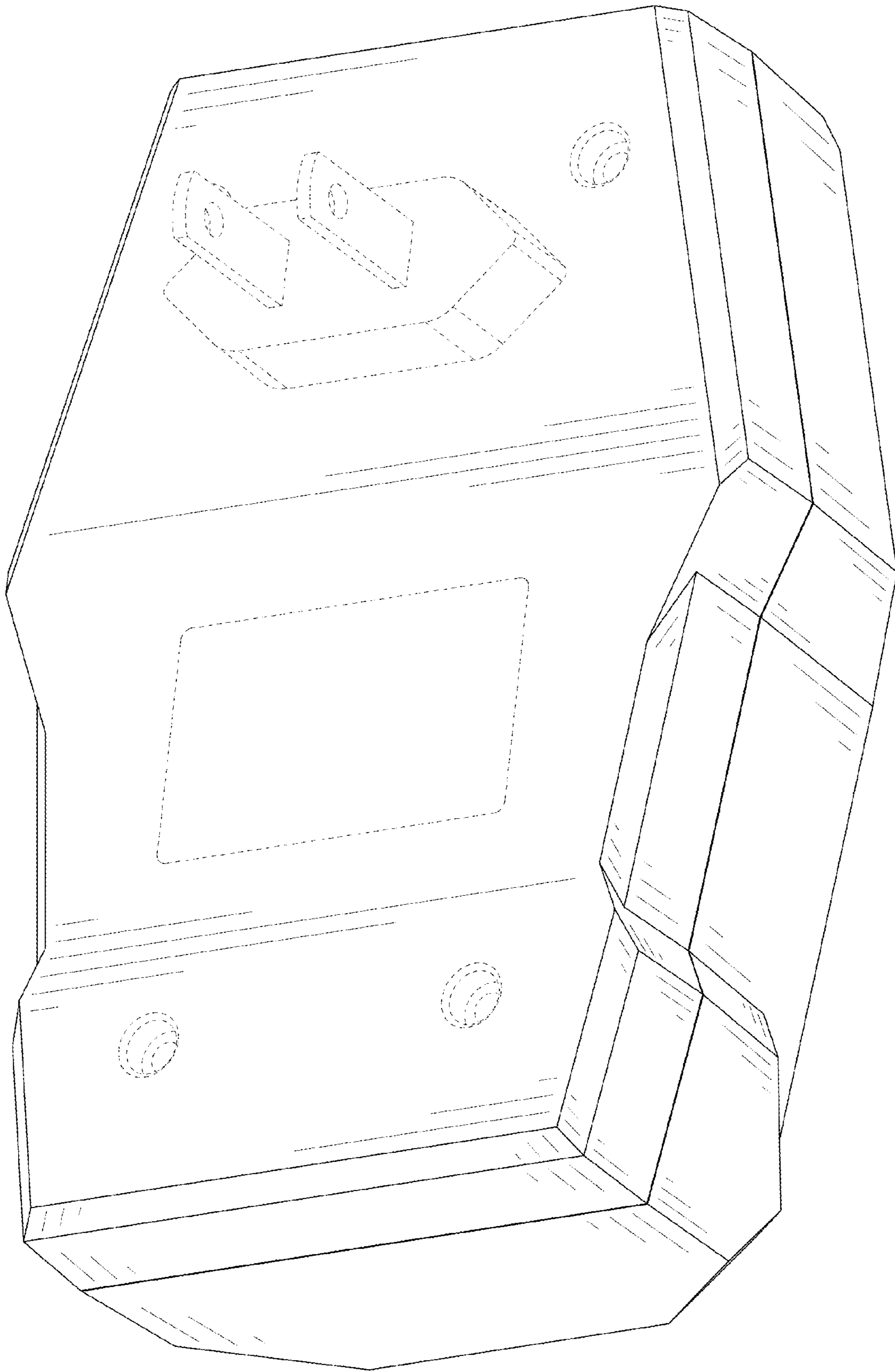


FIG. 2



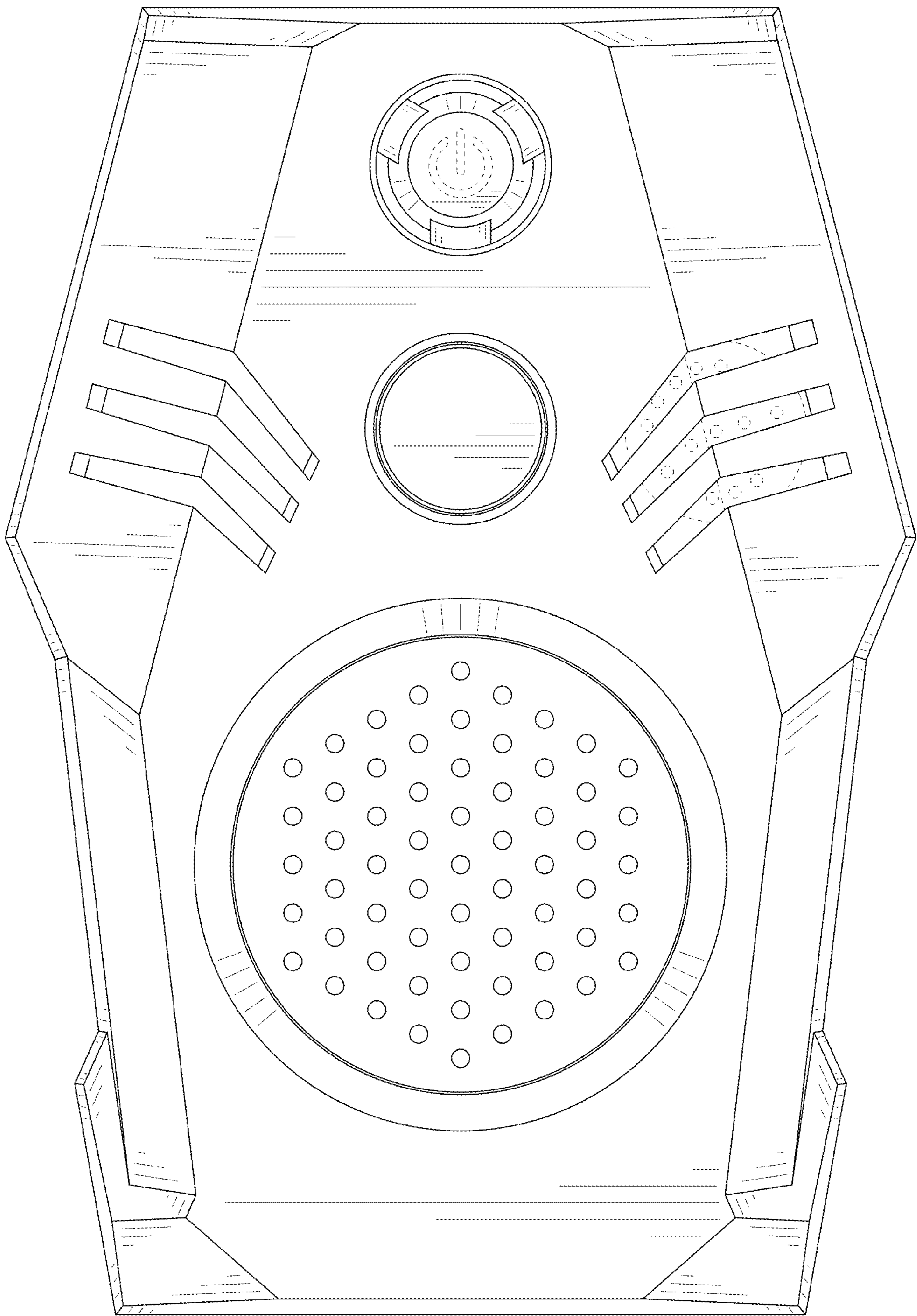


FIG. 3

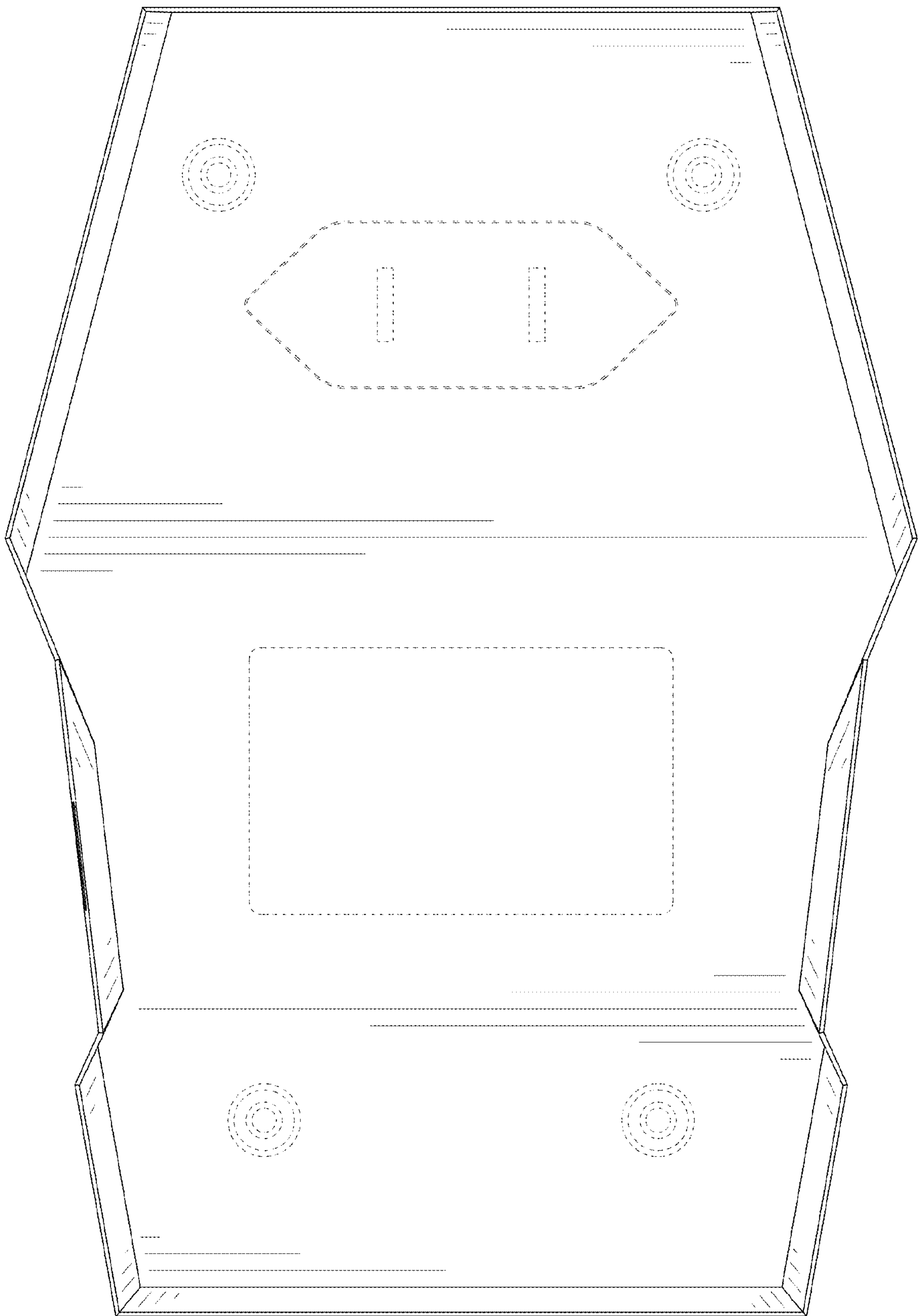


FIG. 4

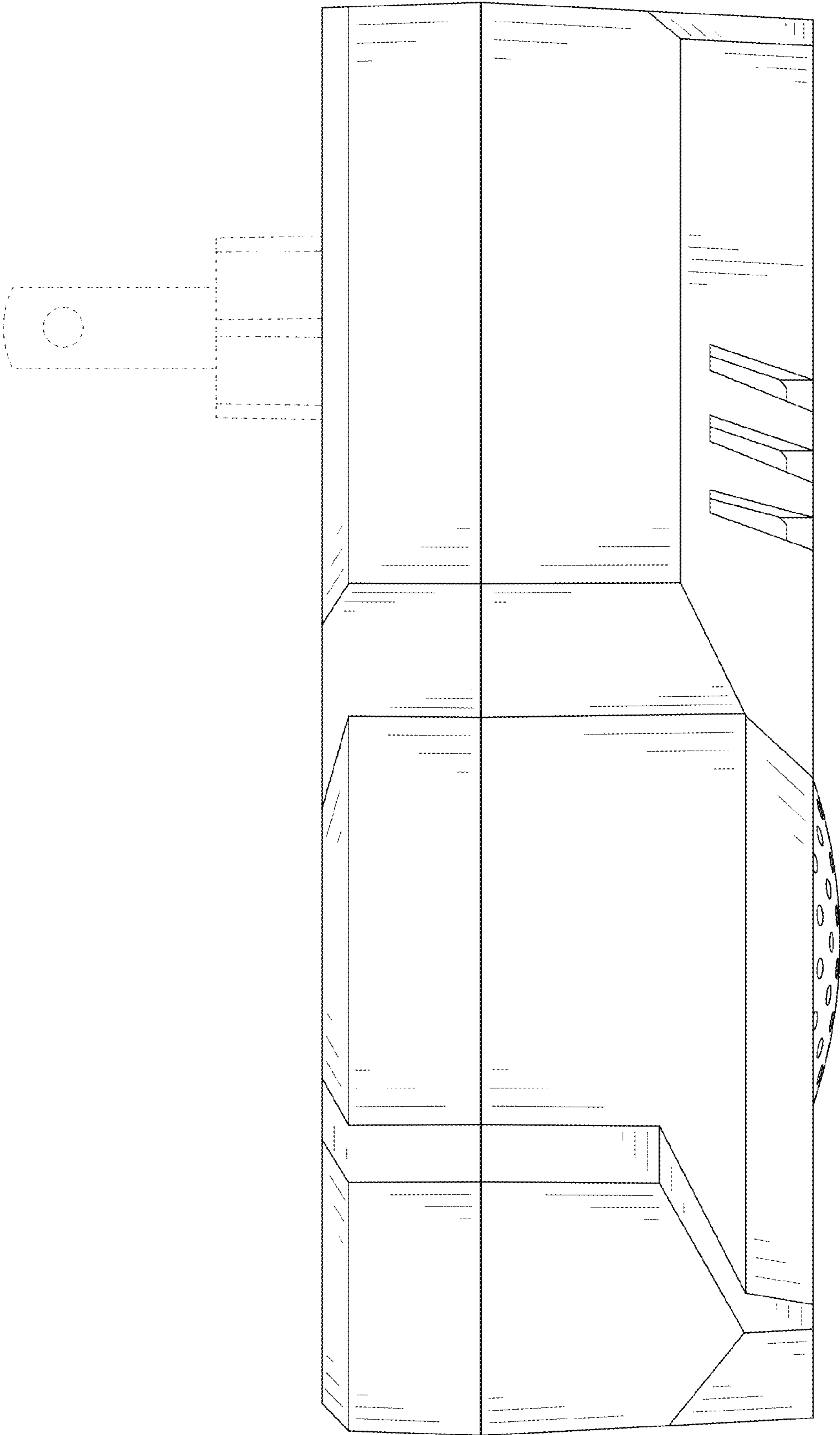


FIG. 5

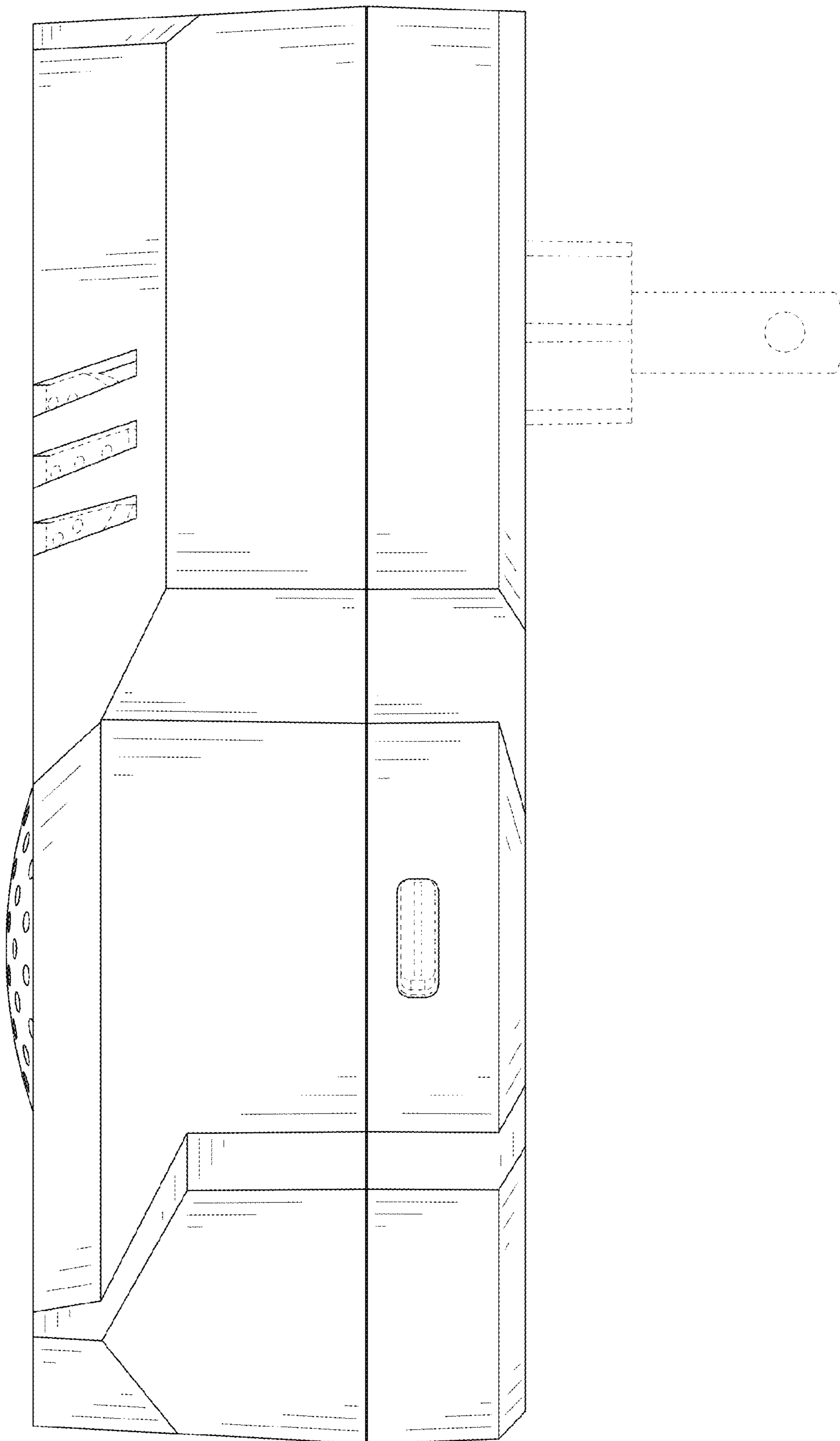


FIG. 6

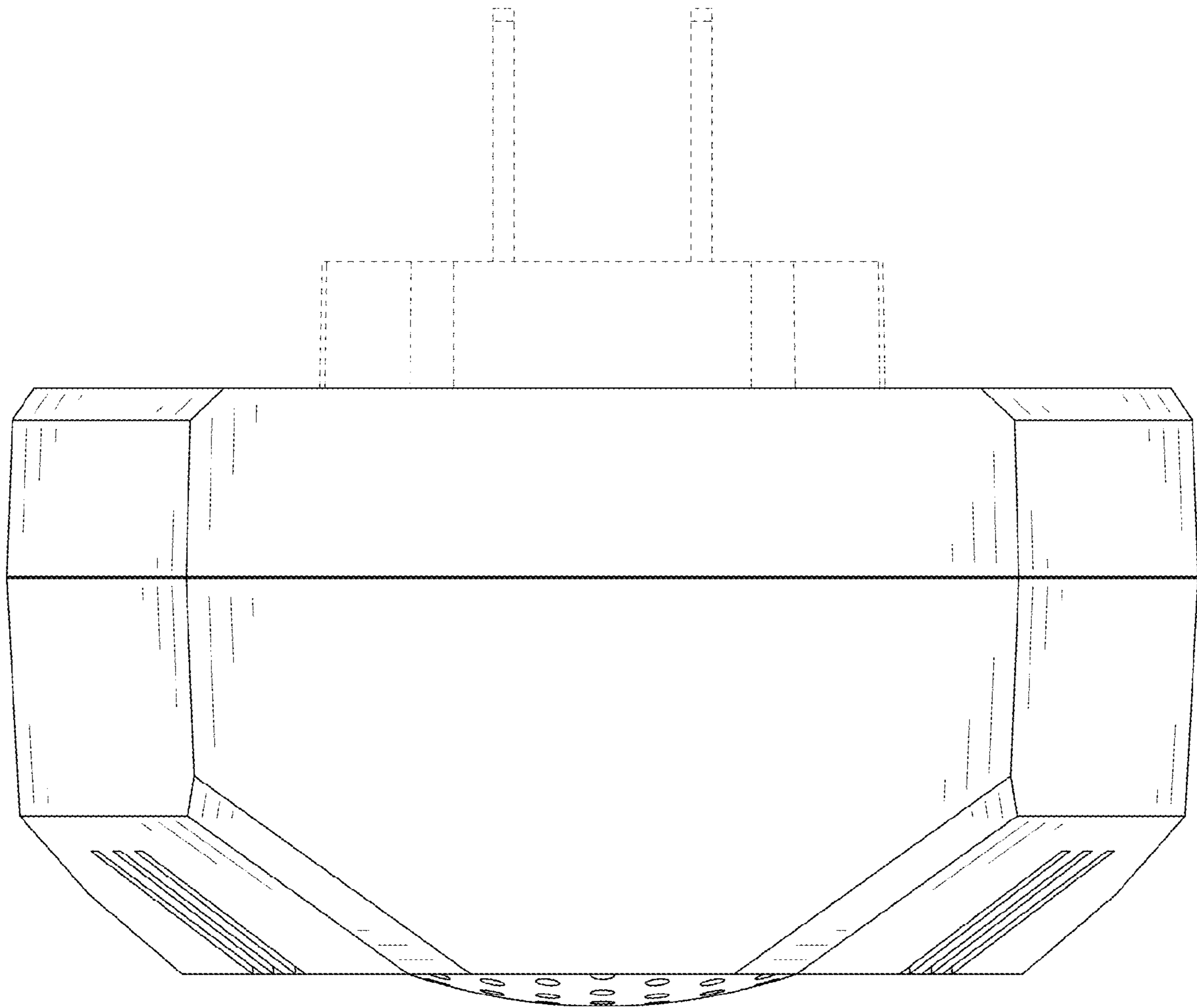


FIG. 7



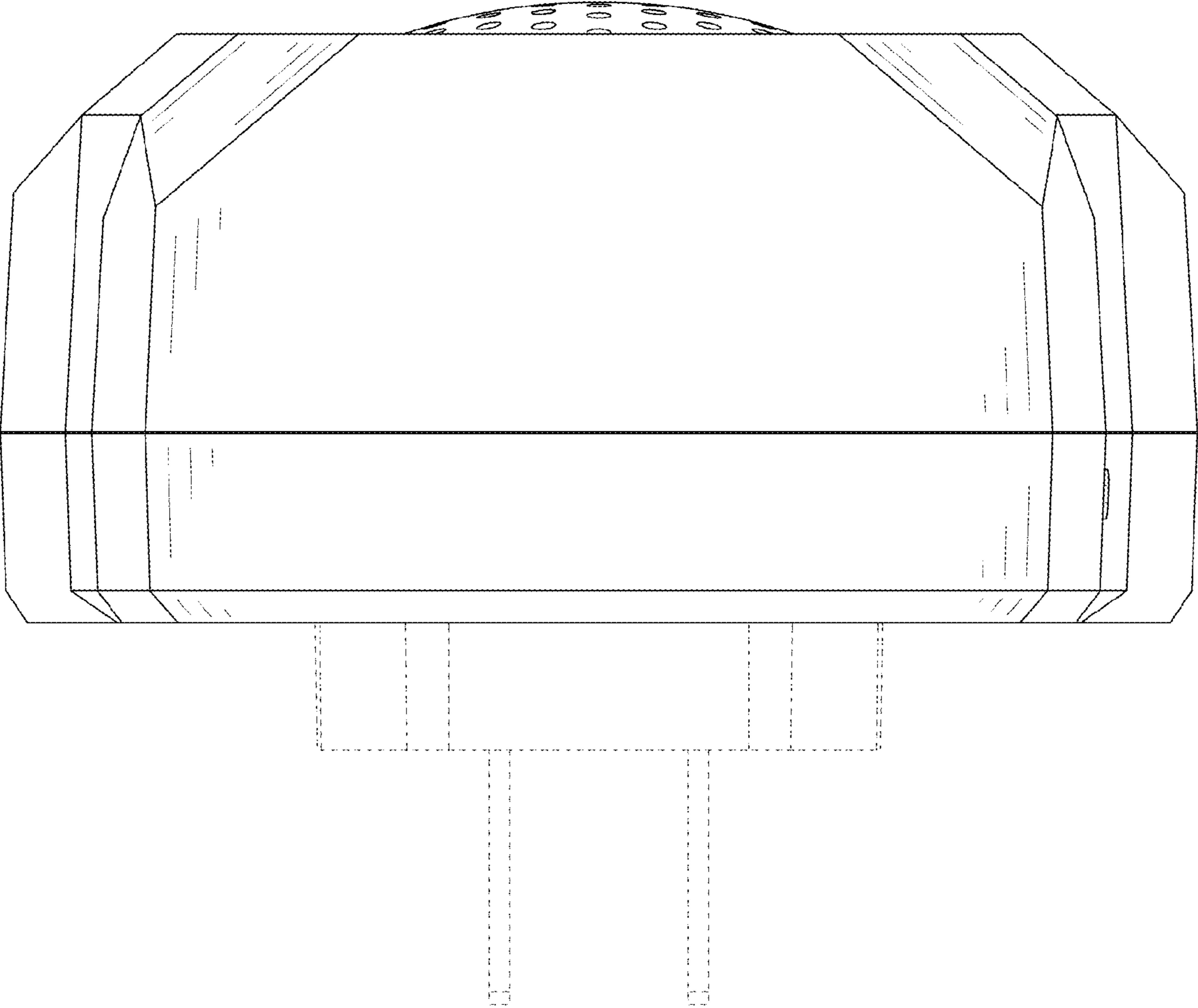


FIG. 8