



US00D952787S

(12) **United States Design Patent**
Pittman

(10) **Patent No.:** **US D952,787 S**

(45) **Date of Patent:** **** May 24, 2022**

(54) **LIGHT MOUNT**

D828,898 S 9/2018 McKillips
D885,509 S * 5/2020 Pittman D22/108
D910,798 S * 2/2021 Pittman D22/108

(71) Applicant: **Impact Weapons Components, LLC,**
Timnath, CO (US)

(72) Inventor: **Earl L. Pittman,** Fort Collins, CO (US)

(73) Assignee: **Impact Weapons Components, LLC,**
Timnath, CO (US)

(**) Term: **15 Years**

(21) Appl. No.: **29/675,702**

(22) Filed: **Jan. 4, 2019**

(51) **LOC (13) Cl.** **22-01**

(52) **U.S. Cl.**
USPC **D22/109**

(58) **Field of Classification Search**
USPC D22/100, 103, 108, 109, 110, 199;
D16/130
CPC . F41G 11/003; F41G 1/14; F41G 1/38; F41G
1/16; F41G 1/02; F41G 1/06; F41A
23/005; F41C 23/16
See application file for complete search history.

(56) **References Cited**

U.S. PATENT DOCUMENTS

D600,311 S * 9/2009 Swan D22/109
D607,959 S 1/2010 Moody et al.
D619,195 S * 7/2010 Bengtsson D22/110
D670,352 S 11/2012 Norberg et al.
D708,694 S 7/2014 Wells et al.
D724,687 S * 3/2015 Pittman D22/108
D725,223 S 3/2015 Heidkamp
D733,249 S * 6/2015 Cheng D22/109
D754,274 S 4/2016 Geissele
D758,518 S 6/2016 Daniel et al.
D780,278 S * 2/2017 Pittman D22/108
9,625,233 B2 * 4/2017 Daniel F41G 11/003
9,964,380 B1 5/2018 Oglesby
D825,745 S 8/2018 Barchen
D827,759 S 9/2018 Jen

OTHER PUBLICATIONS

“Cloud Defensive Releases New Torrent Weapon-Light Mounts”
[online]. Luke C. [Published on Oct. 29, 2020]. Retrieved from the
Internet: <<https://www.youtube.com/watch?v=jYZDmnJQU90https://www.thefirearmblog.com/blog/2020/10/29/torrent-weapon-light-mounts/>>.*

“TFB 6th Month Review: Haley Strategic SBR Thorntail2 Light
Mount” [online]. Matt E. [Published on Mar. 25, 2020]. Retrieved
from the Internet: <<https://www.thefirearmblog.com/blog/2020/03/25/tfb-6th-month-review-haley-strategic-sbr-thorntail-2-light-mount/>>.*

Midwest Industries New MLOK Rail For Kriss Vector, published
Nov. 21, 2016, retrieved from <https://www.thefirearmblog.com/blog/2016/11/21/midwest-industries-new-mlok-rail-kriss-vector>, 2 pages.

* cited by examiner

Primary Examiner — Mojtaba Tehrani

(74) *Attorney, Agent, or Firm* — Cooley LLP

(57) **CLAIM**

The ornamental design for a light mount, as shown and
described.

DESCRIPTION

FIG. 1 is a perspective view of a light mount;

FIG. 2 is a front view thereof;

FIG. 3 is a back view thereof;

FIG. 4 is a top view thereof;

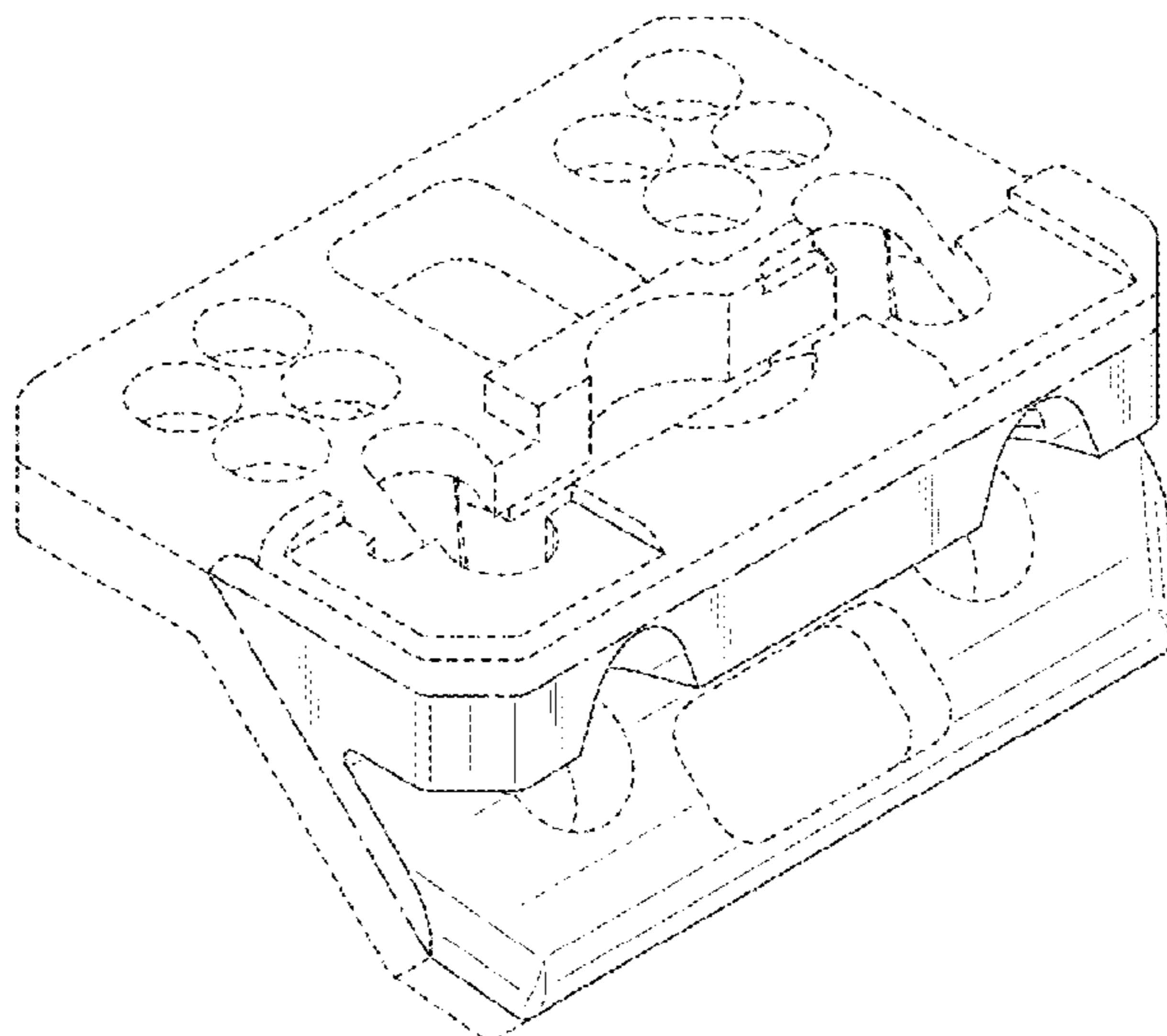
FIG. 5 is a bottom view thereof;

FIG. 6 is a left side view thereof; and,

FIG. 7 is a right side view thereof.

The dash-dot broken line immediately adjacent to the shaded
areas discloses the boundary of the claim; the evenly broken
line discloses unclaimed portion of the light mount; the
broken lines form no part of the claimed design.

1 Claim, 7 Drawing Sheets



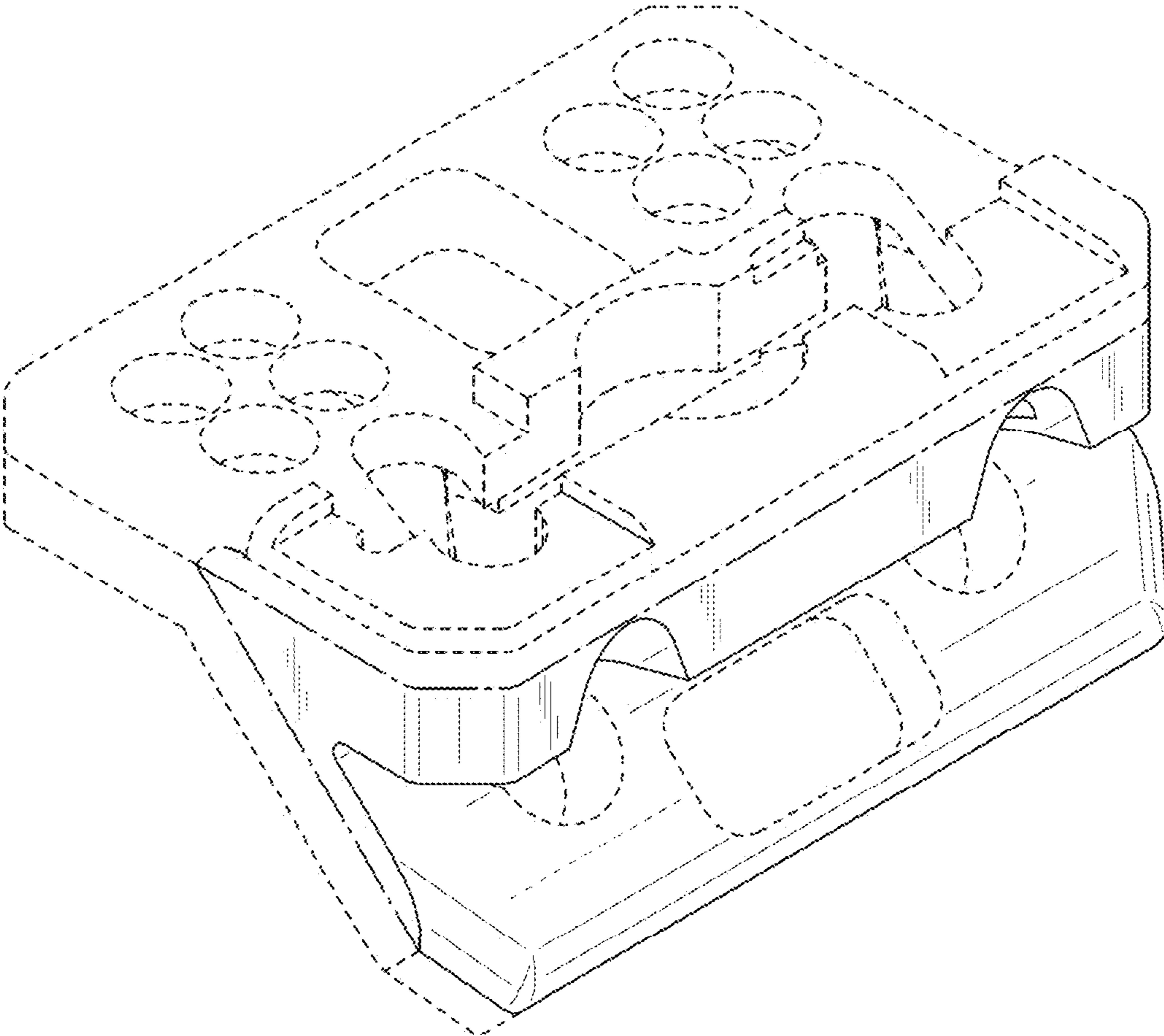


FIG. 1

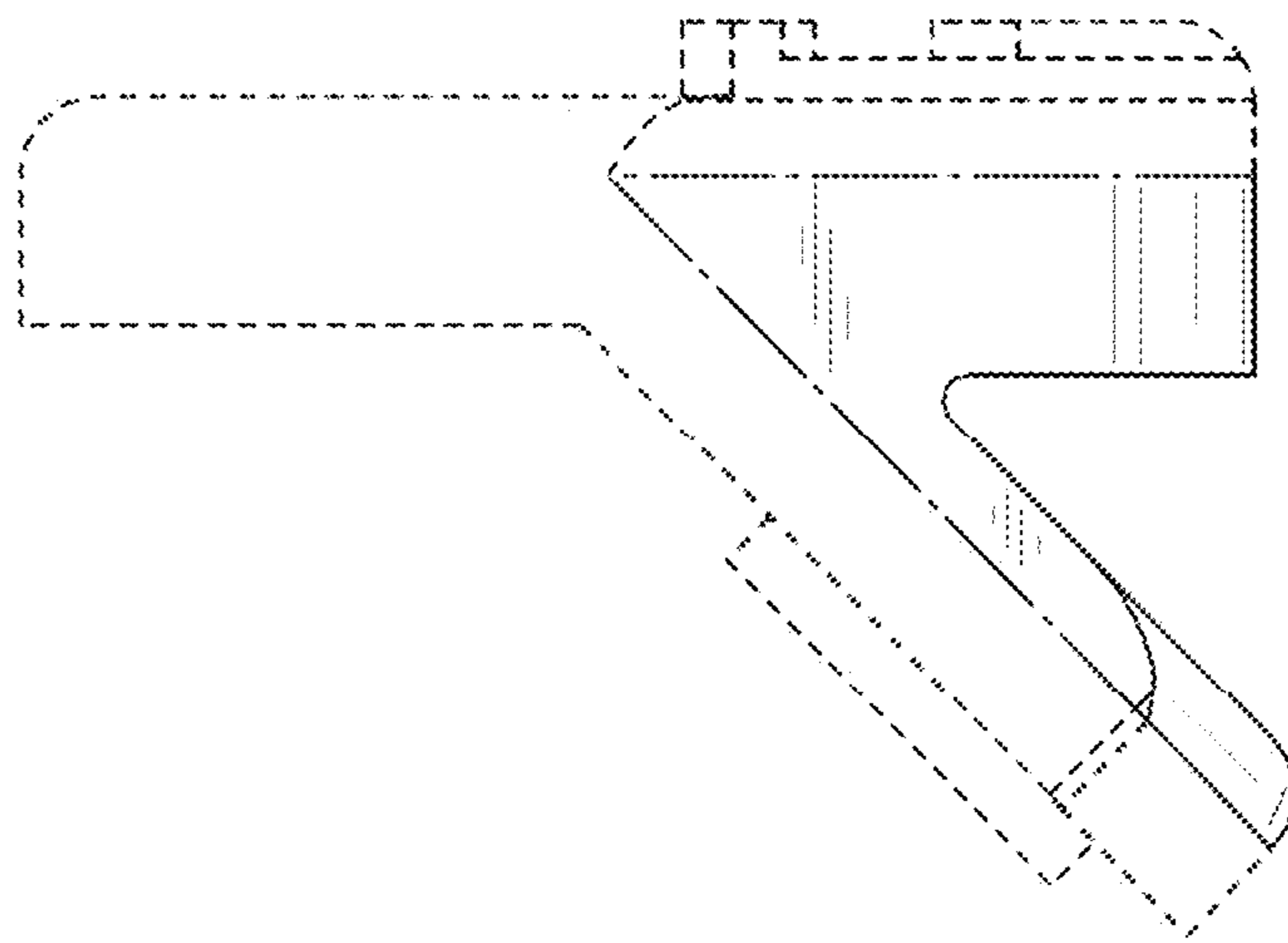


FIG. 2

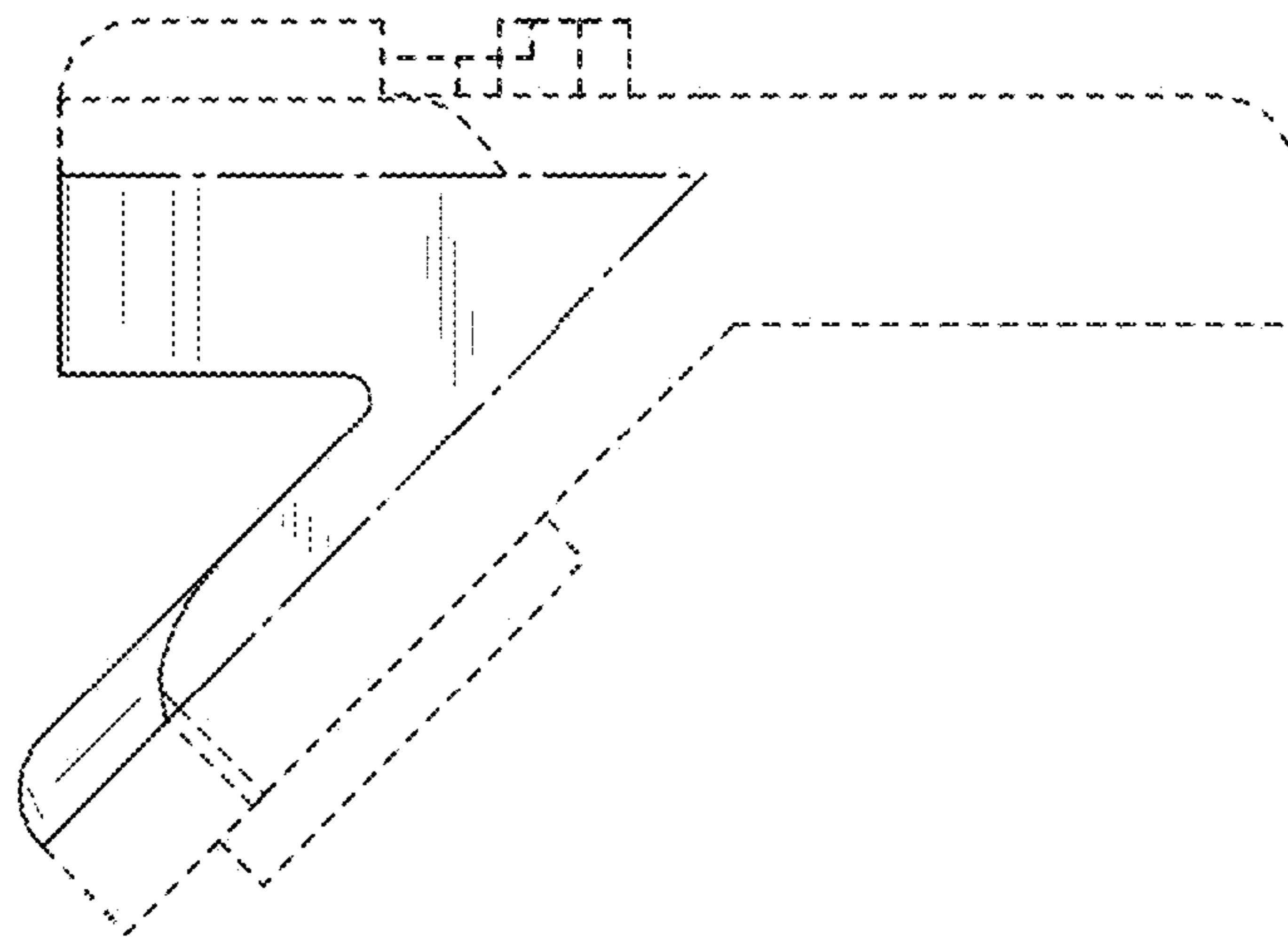


FIG. 3

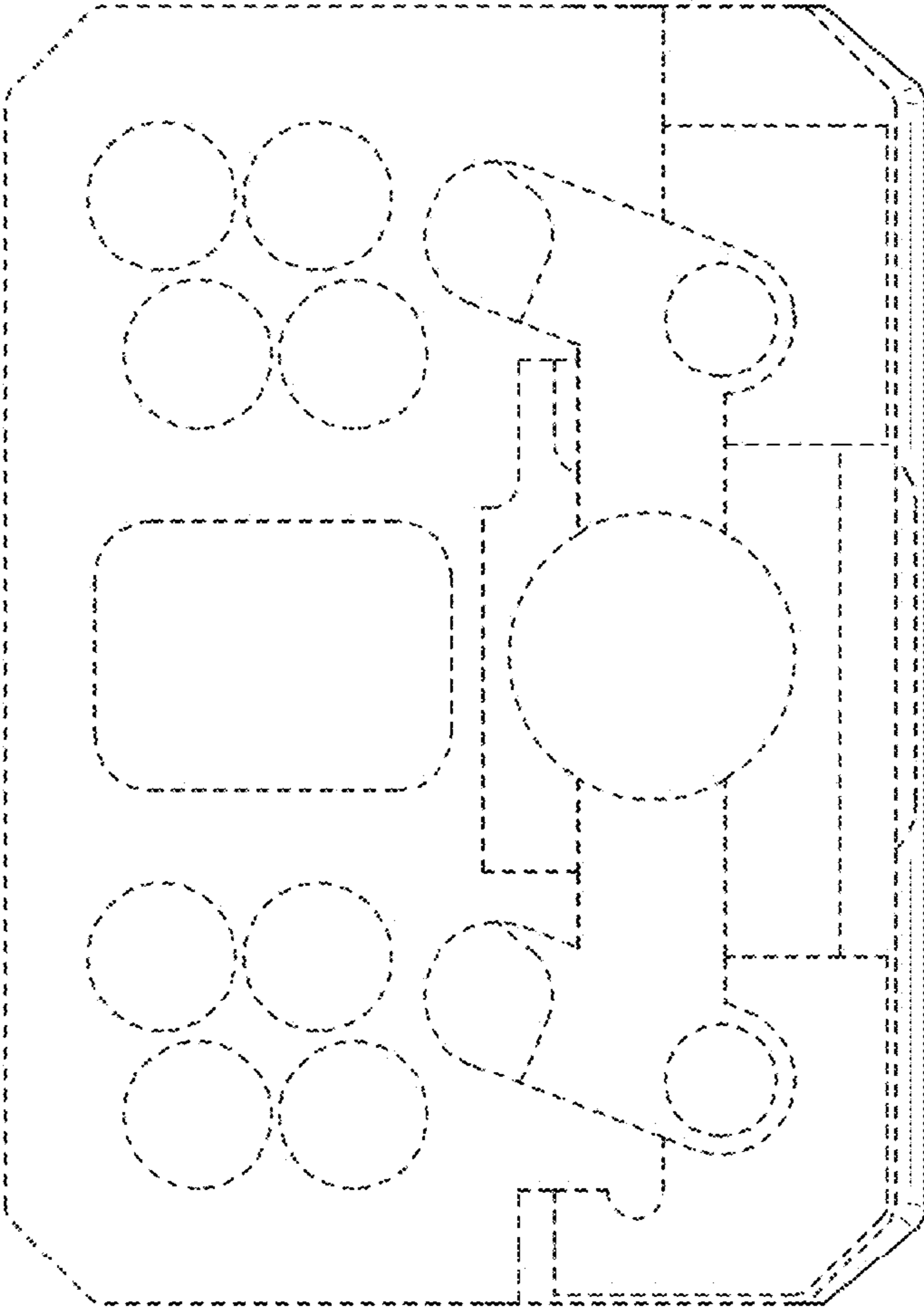


FIG. 4

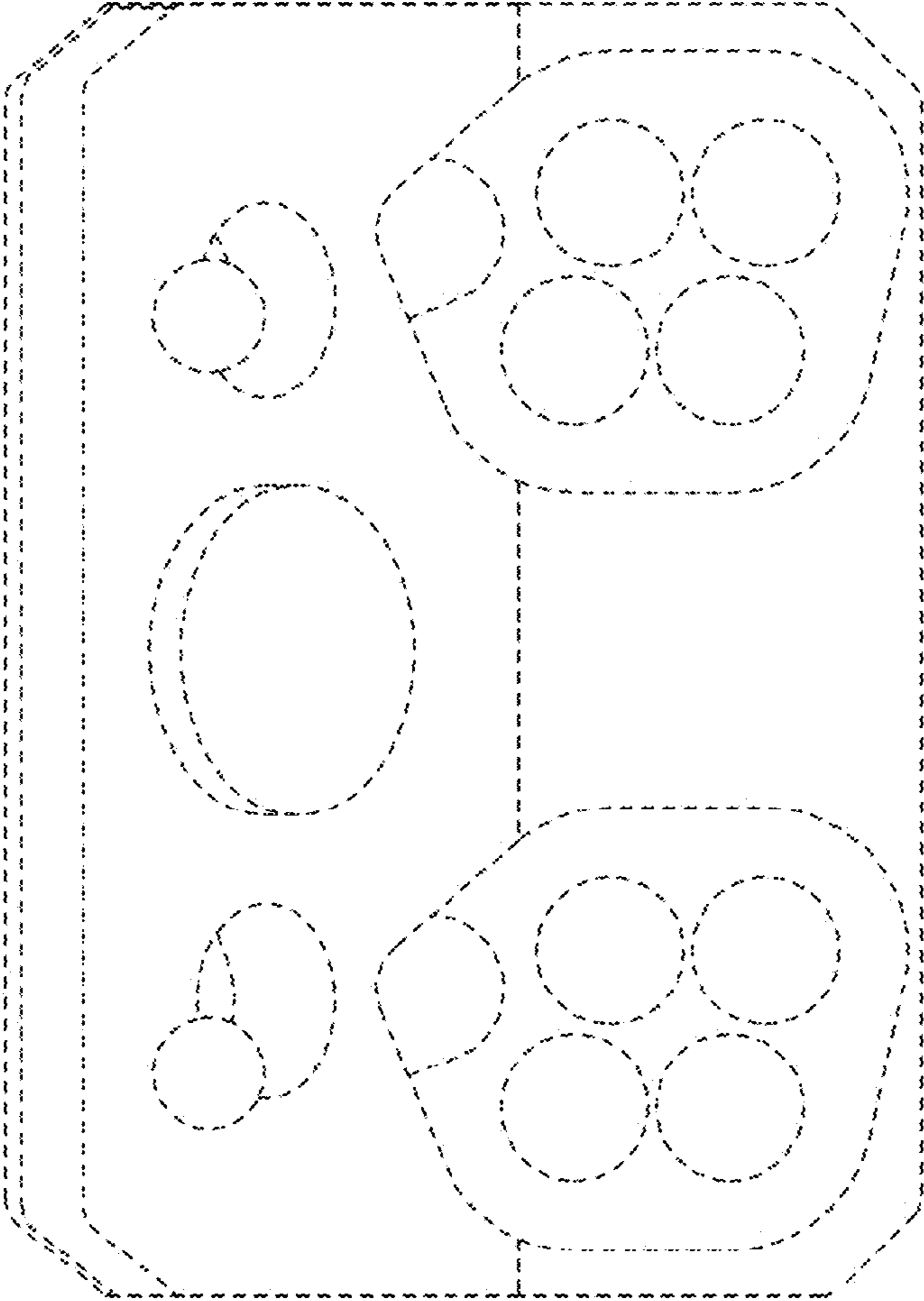


FIG. 5

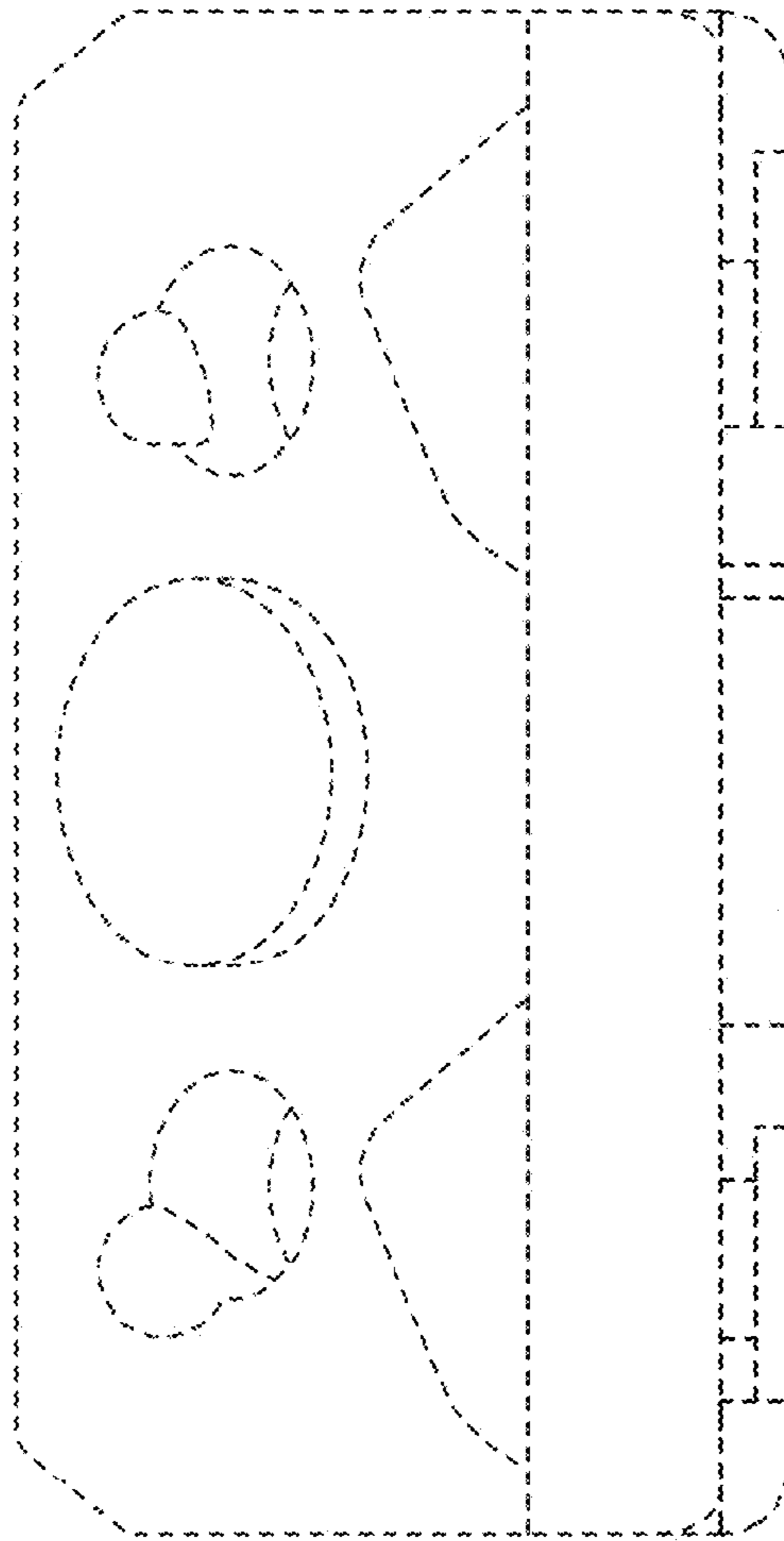


FIG. 6

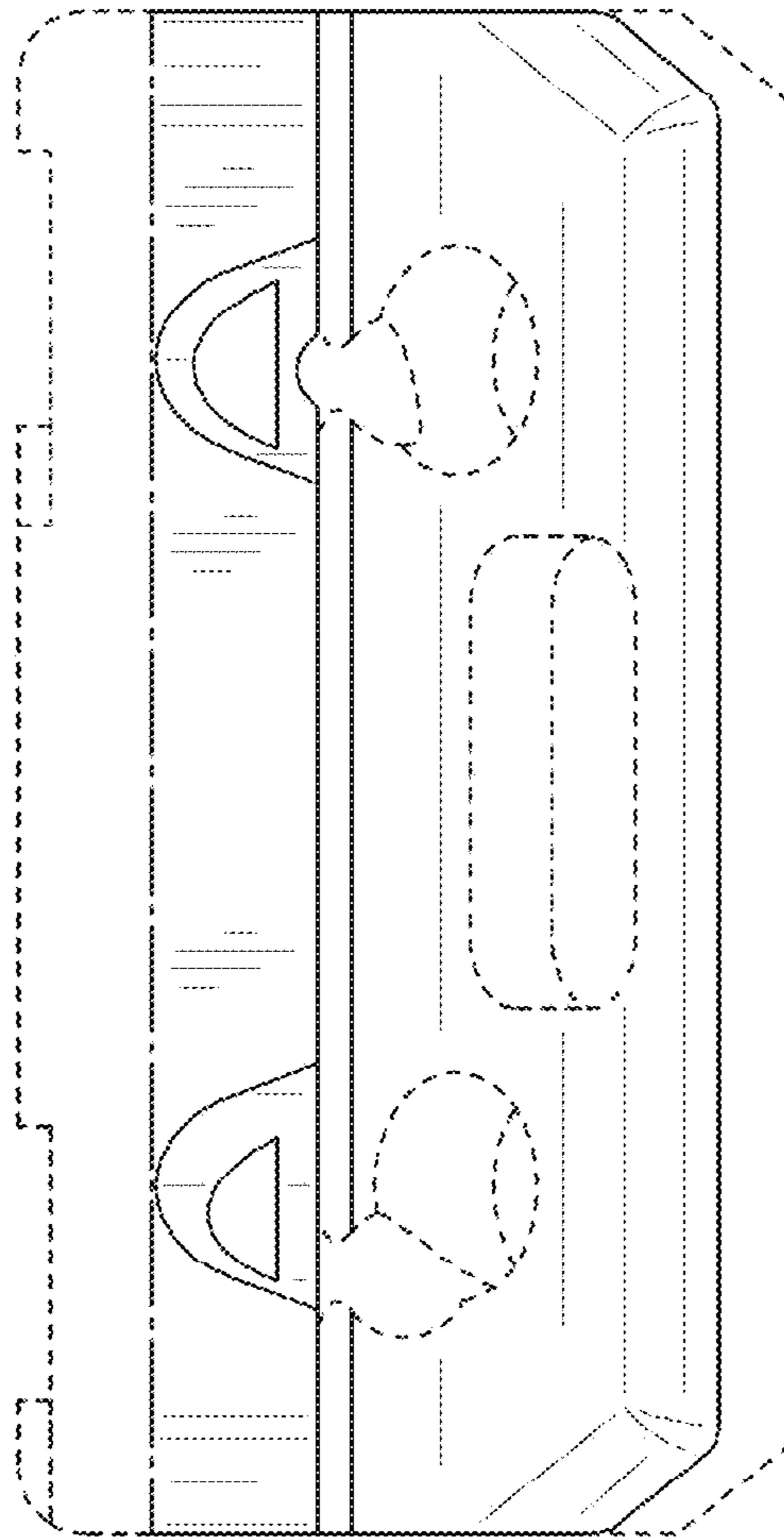


FIG. 7